



GAZZDA

Hook coat stand

Product sheet

design by
Mustafa Čohadžić



Hook coat stand

Metal Powder-coated steel, Wood Solid oak

Basic info

Design Mustafa Čohadžić

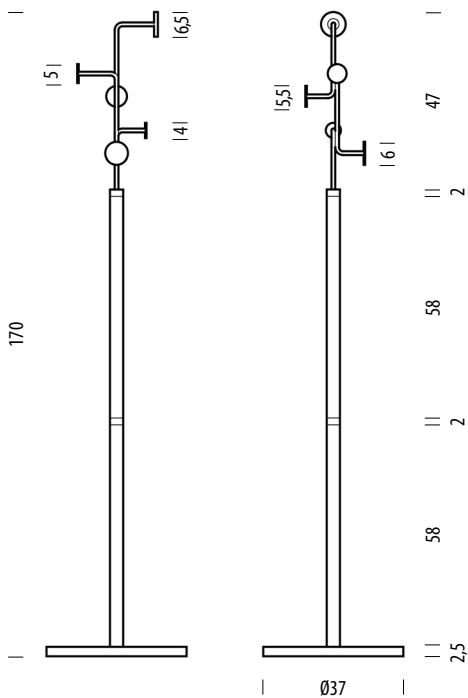
Product size W: Ø37, H: 170

Packaging W: 70, D: 40, H: 17

Volume 0,05 m³

Net weight 4,1 kg

Gross weight 5,5 kg



Item no. 110

Assembly 10 min / 2 persons

Knobs	Width (cm)
Wooden knob	Ø6,5
Metal knobs	Ø6 / Ø5,5 / Ø5 / Ø4

Selected options

Knob



Oiled Oak
1015
White oil

Metal parts



RAL 9016
White



RAL 9005
Black



RAL 3015
Light pink



RAL 6027
Light green

Indicated materials and colours are selected by Gazzda as best-selling items and their lead time is shorter than of made-to-order options. Please consult the current price list or our customer service for the lead time of selected options.