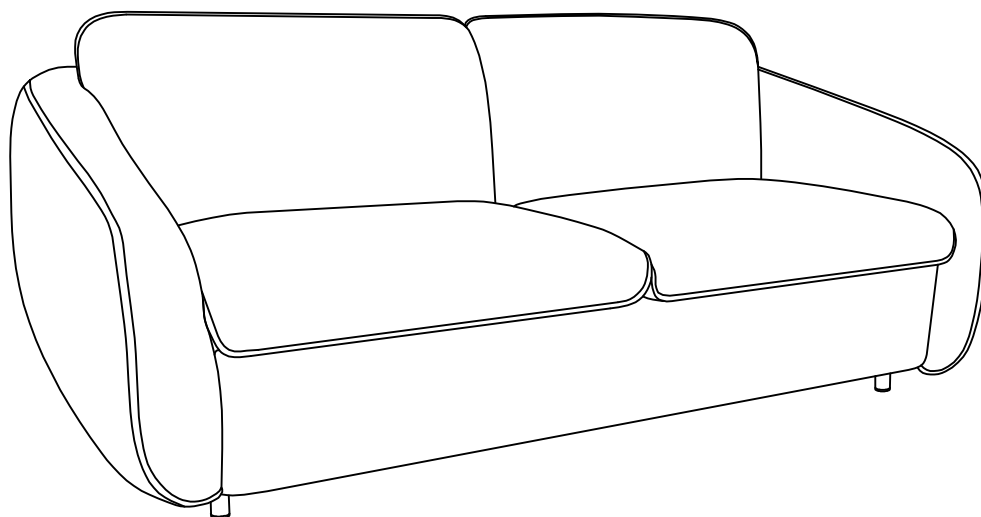


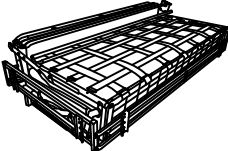
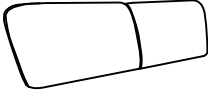
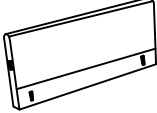


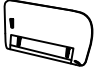

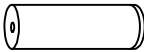


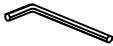
# LAURIE

1589\_144130 1589\_144131



**h&j** Habitat  
et Jardin

# 1589\_144130 1589\_144131

A		165*86*42cm	x1	1/3
B		175*50*17cm	x1	2/3
C		165*63*9cm	x1	2/3
D		165*25*4cm	x1	2/3
E		99*55*20cm	x1	3/3
F		99*55*20cm	x1	3/3
G		84*61*11cm	x2	1/3
H		100*30mm	x4	1/3
I		8*38mm	x4	1/3
J		8*18mm	x4	1/3
K		M M6	x1	1/3

FR : SAV/INFORMATION /VIDEO/CONTACT

EN: AFTER-SALES SERVICE/INFORMATION/VIDEO/CONTACT

DE : REPARATUR-SERVICE UND ERSATZTEILE //INFORMATIONEN /VIDEO/KONTAKT

ES: SERVICIO POST-VENTA/INFORMACIÓN/VIDEO/CONTACTO

IT: SERVIZIO ASSISTENZA/INFORMAZIONI/VIDEO/CONTATTO

PT: SERVIÇO PÓS-VENDA/INFORMAÇÕES/VIDEO/CONTATO

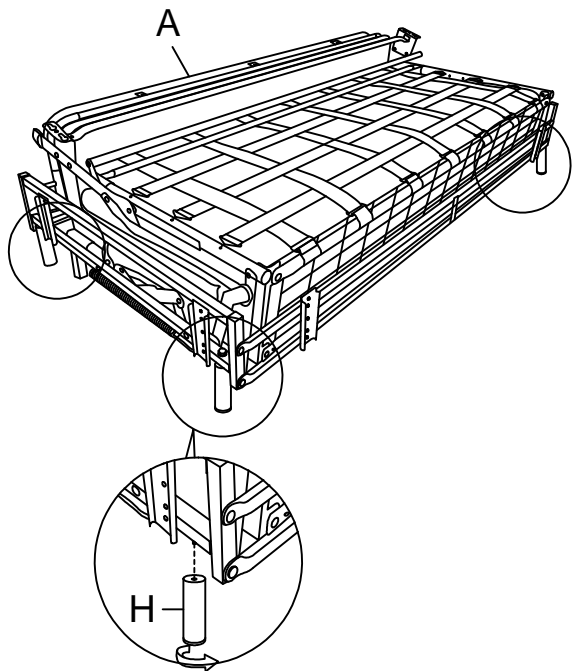
PL: SERWIS TECHNICZNY/INFORMACJE/WIDEO/KONTAKT

NE: AFTER SALES SERVICE//INFORMATIE/VIDEO/CONTACT

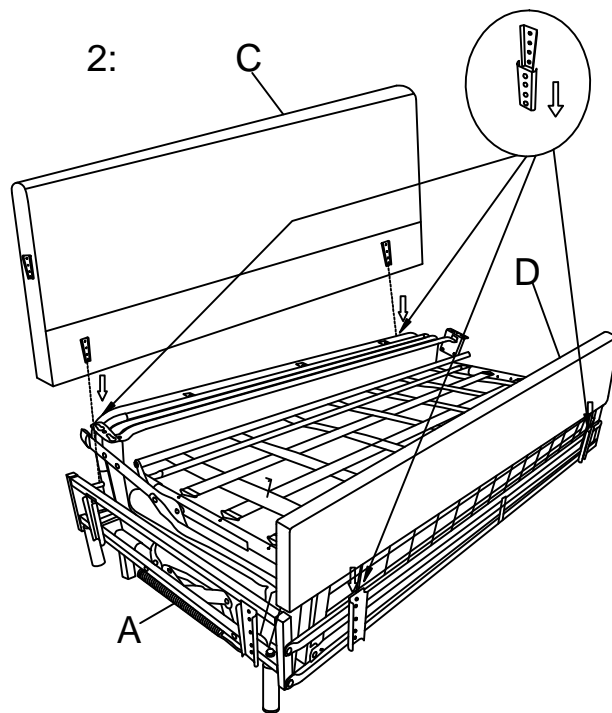
HE: עם לתקשר/הווידיאו/ מידע/ומכירות שירות לאחר

[SAV.HABITATETJARDIN.COM](http://SAV.HABITATETJARDIN.COM)

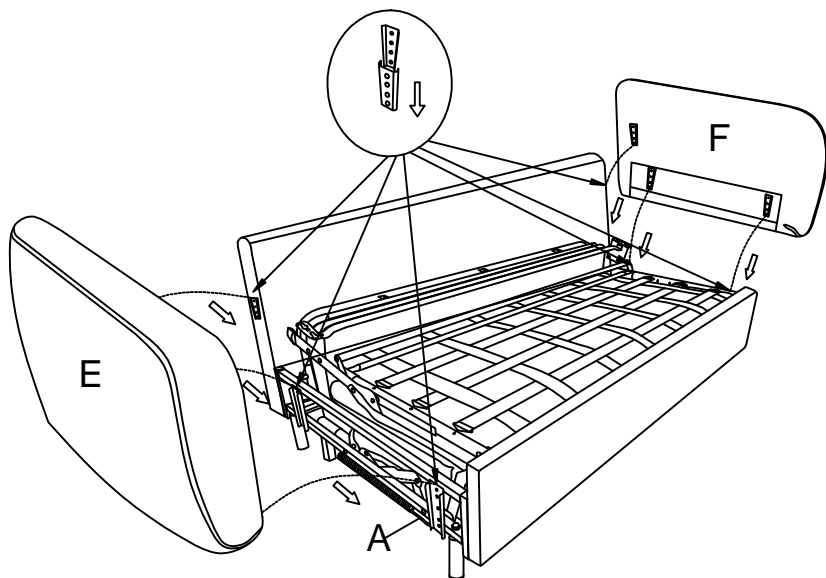
1:



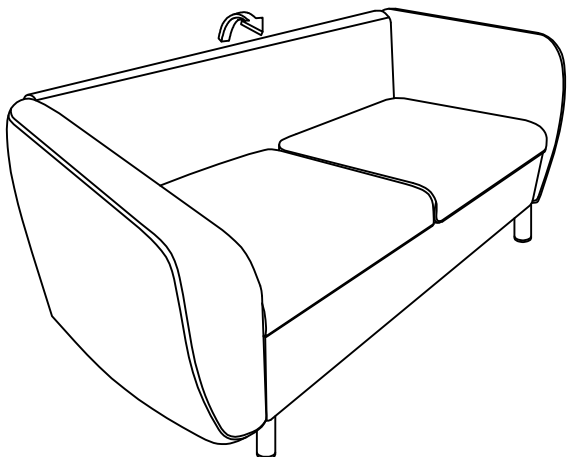
2:



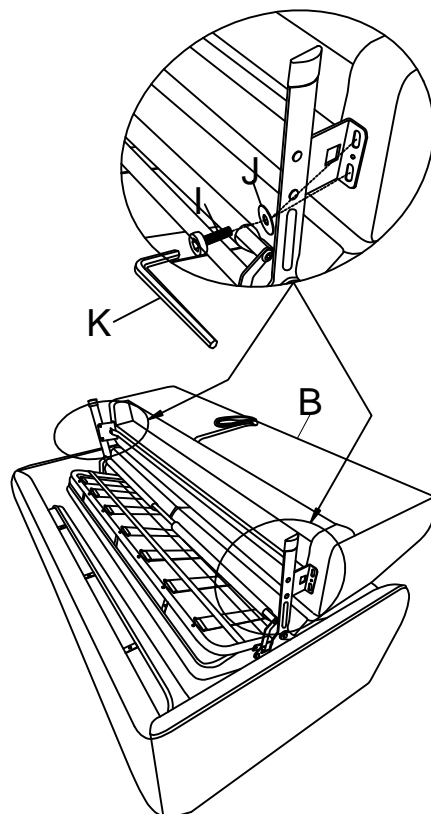
3:



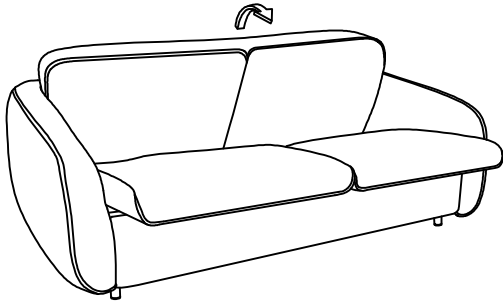
4:



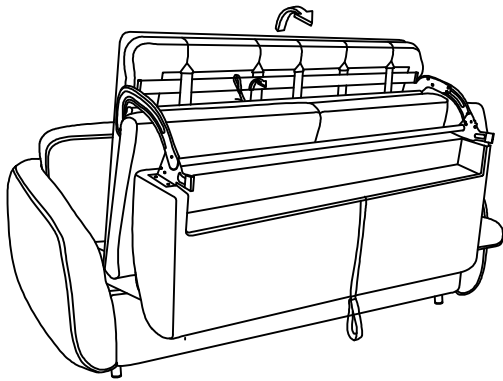
5:



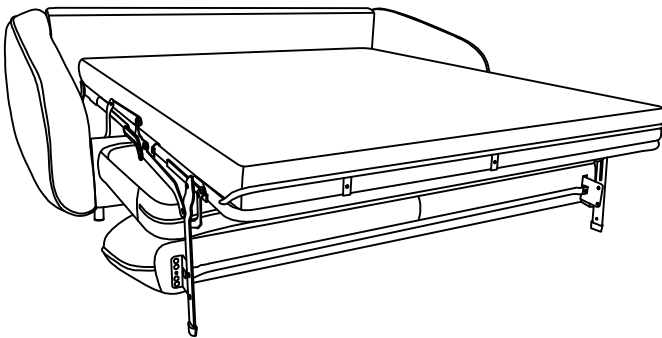
1.



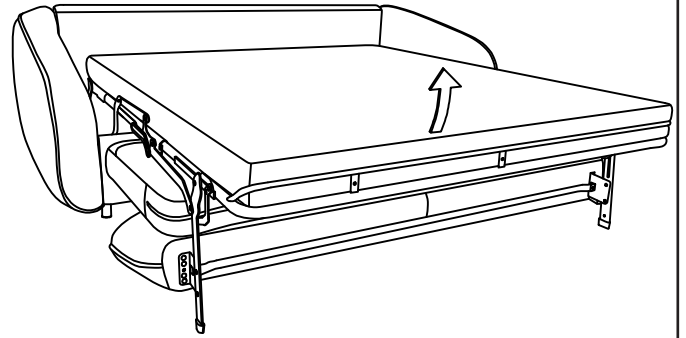
2.



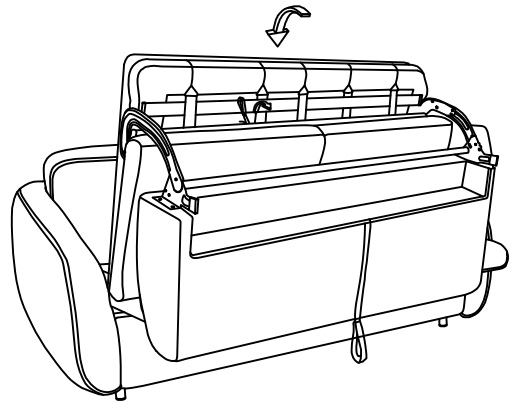
3.



1.



2.



3.

