

















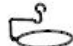

















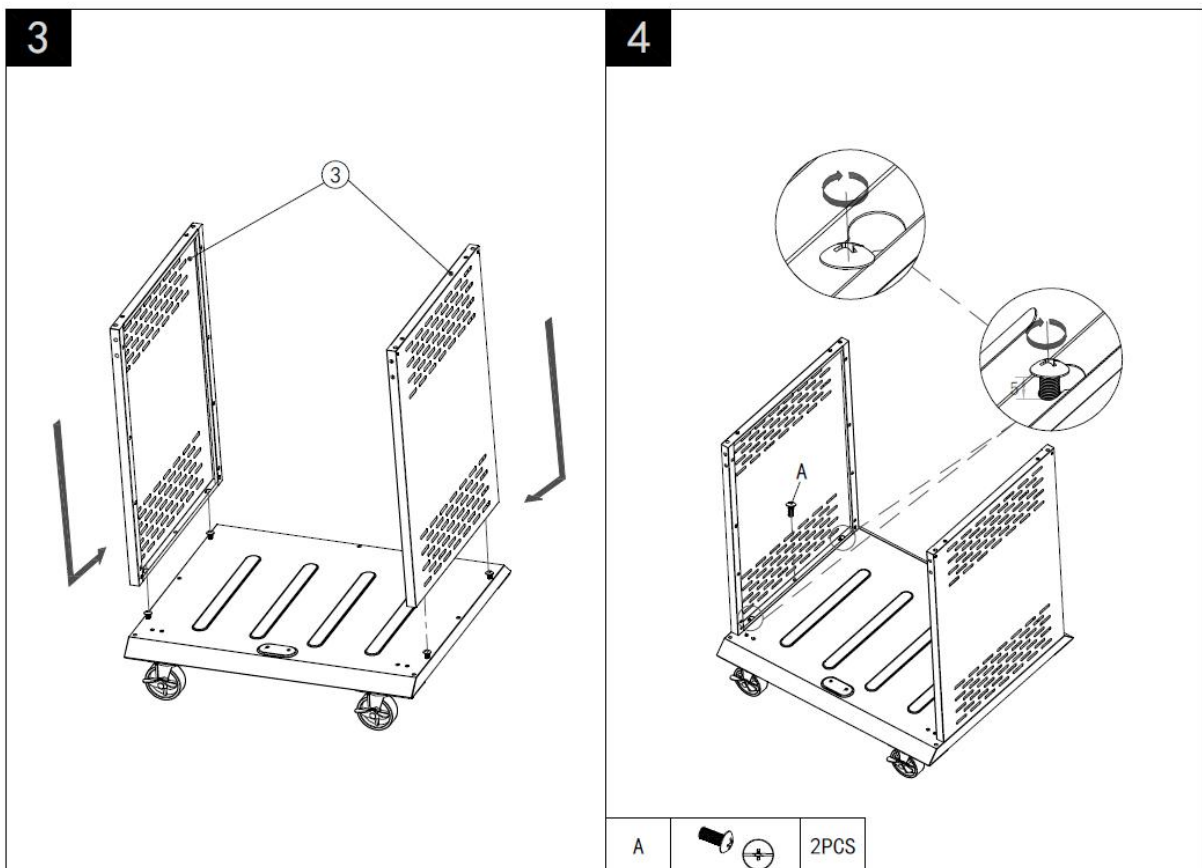
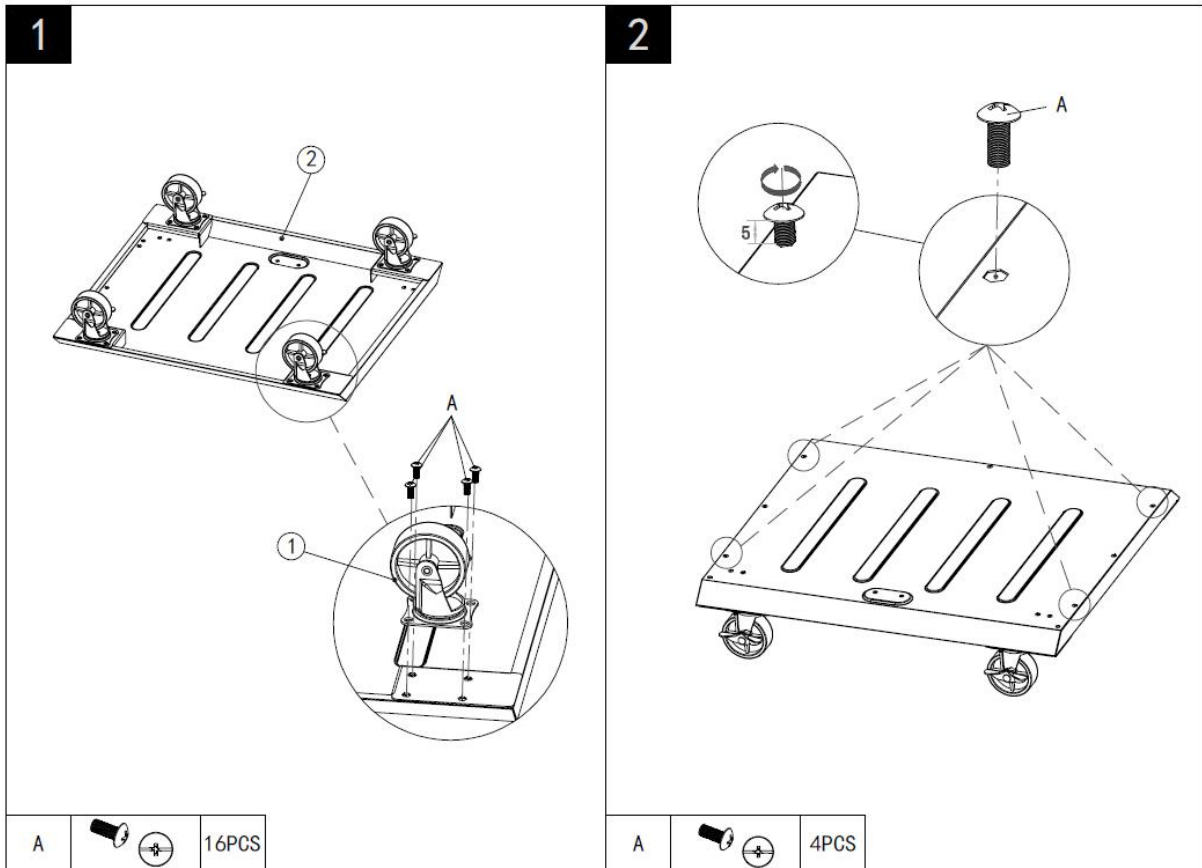
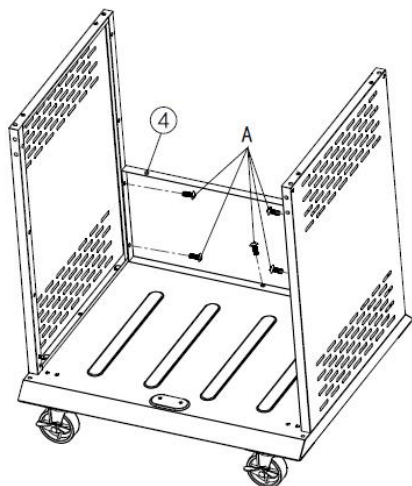


① *4 	② *1 	③ *2 
④ *1 	⑤ *2 	⑥ *1 
⑦ *1 (L) 	⑧ *1 (R) 	⑨ *1 
⑩ *2 	⑪ *4 	⑫ *2 
⑬ *1 (L) 	⑭ *1 (R) 	⑮ *1 
⑯ *1 	⑰ *2 	⑱ *1 
⑲ *1 	⑳ *1 	㉑ *3 
㉒ *1 	㉓ *1 	㉔ *1 
㉕ *1 	/	
A M5-10*49 	B M5-12*10 	C M4-8*2 
D M6-15*6 	E*1 	F*4 
G M4-8*8 	H M4-10*2 	I $\phi$ 28-2*1 
J M5-16*10 	K *2 	/

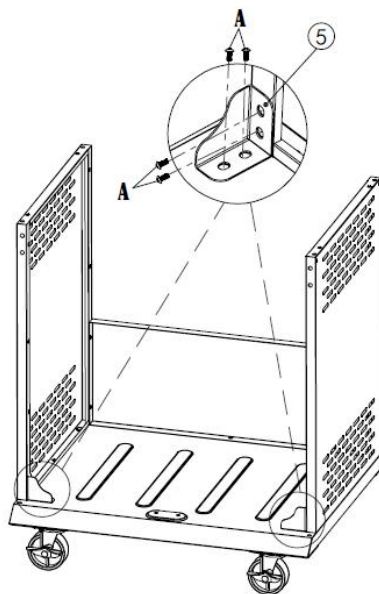


5



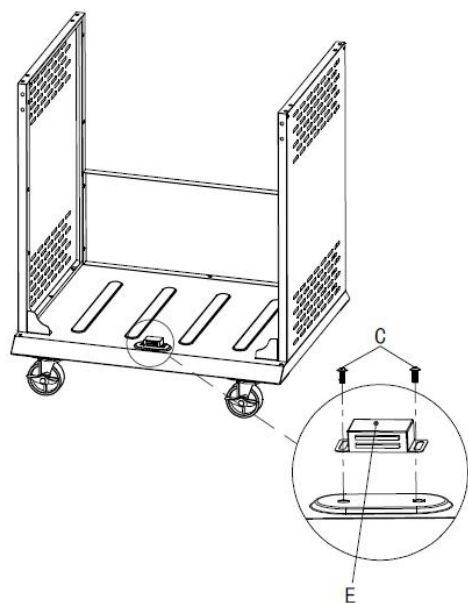
A		5PCS
---	--	------

6



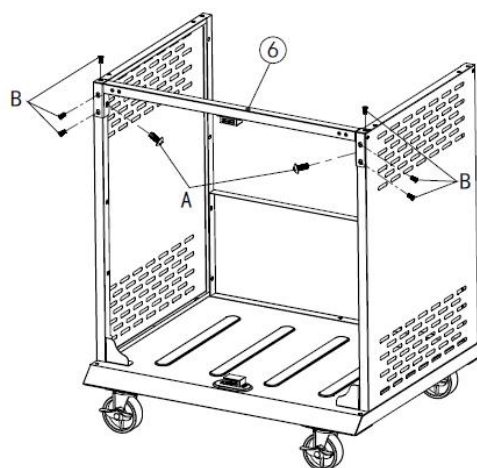
A		8PCS
---	--	------

7



C		2PCS
E		1PC

8



A		2PCS
B		6PCS

**9**

B

4PCS

**10**

D

4PCS

**11**

F

4PCS

**12**

G

4PCS

**13**

A		4PCS
G		4PCS

**14**

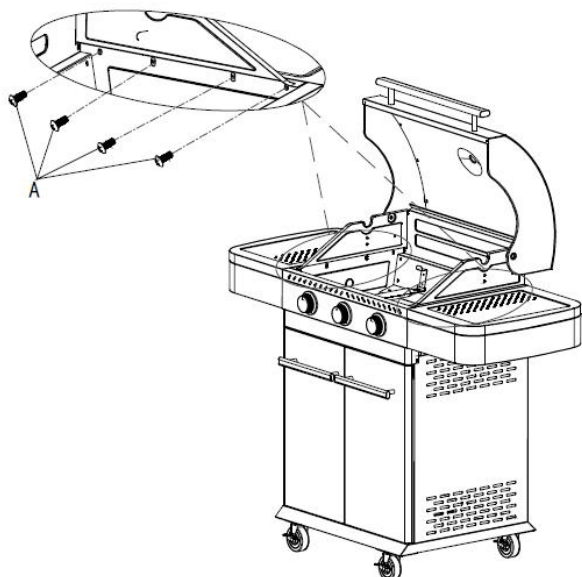
J		4PCS
---	--	------

**15**

D		2PCS
K		2PCS

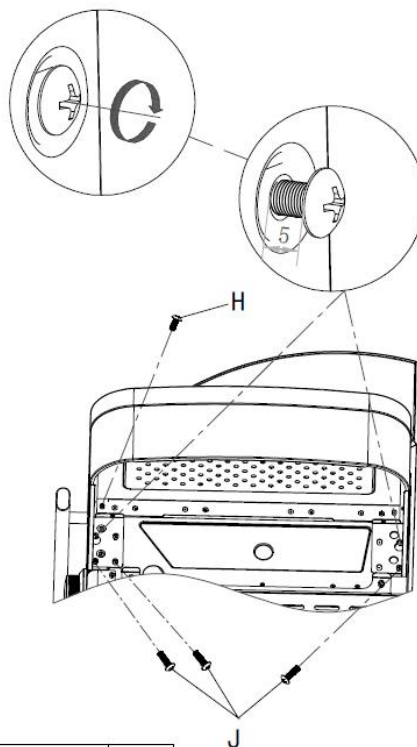
**16**



17



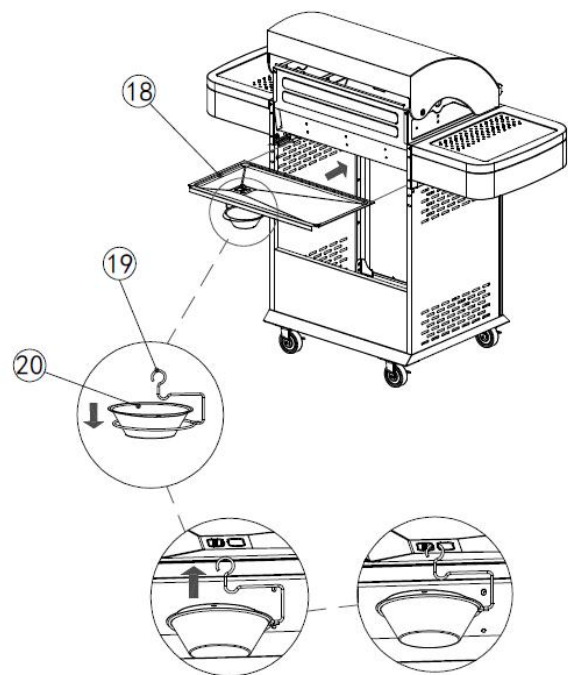
A		8PCS
---	---	------

18

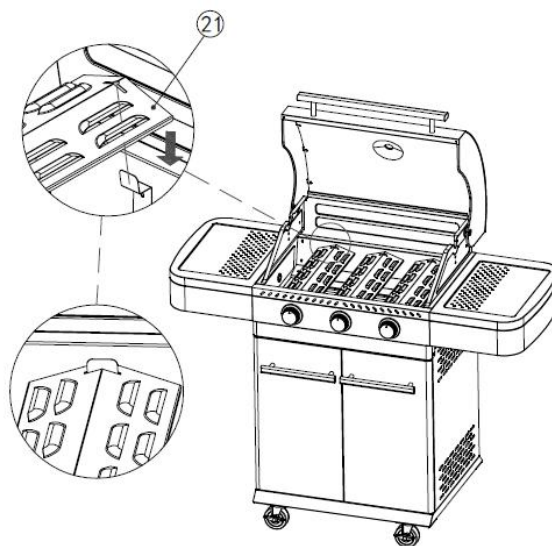


H		2PCS
J		6PCS

19

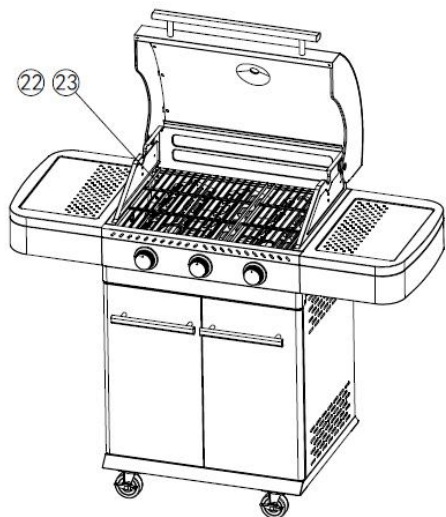


20

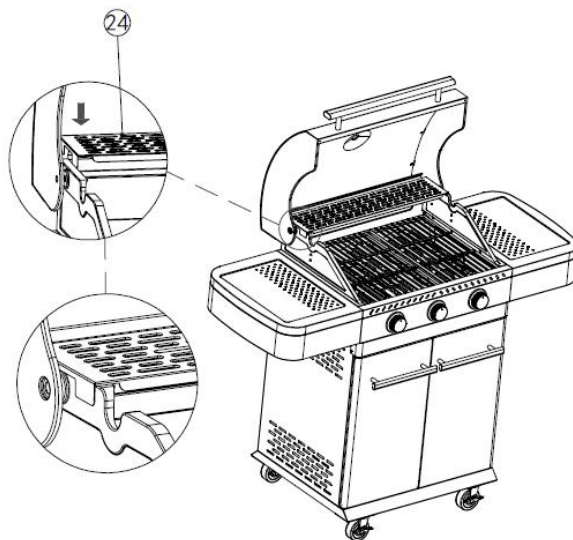




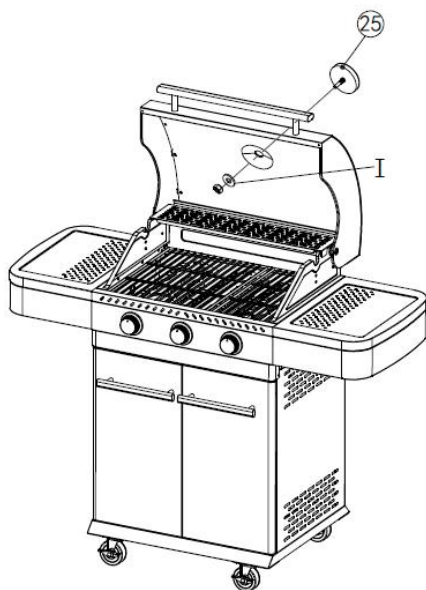
21



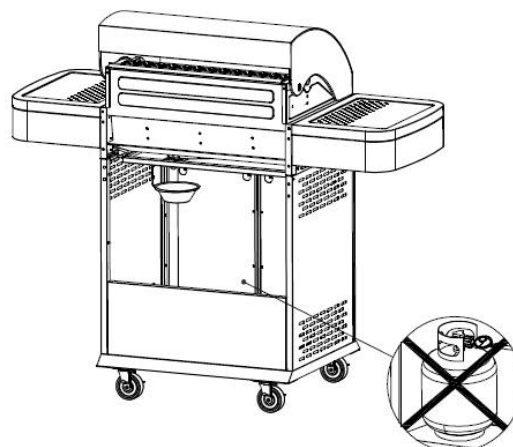
22



23



24



I		1PC
---	--	-----