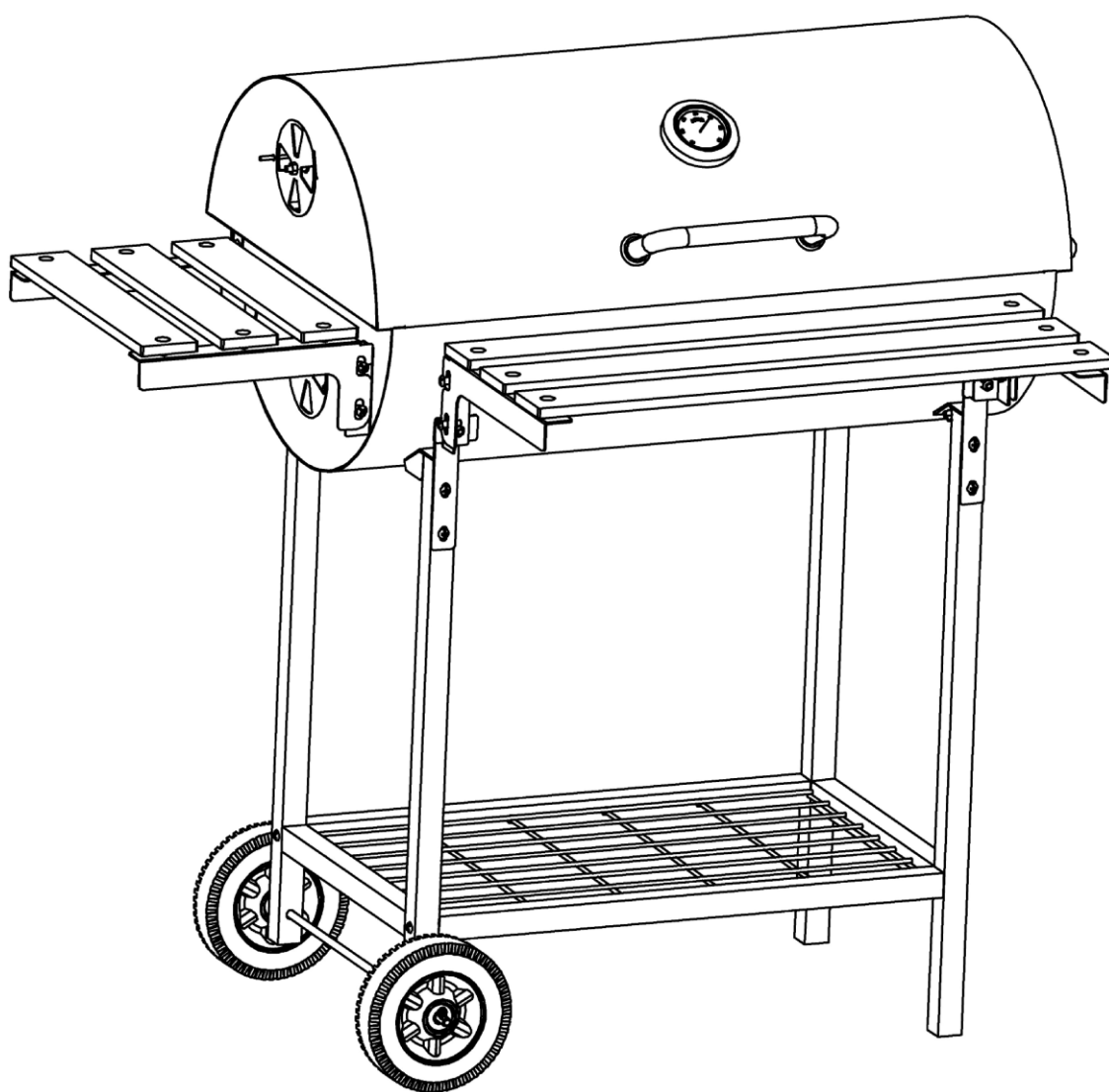
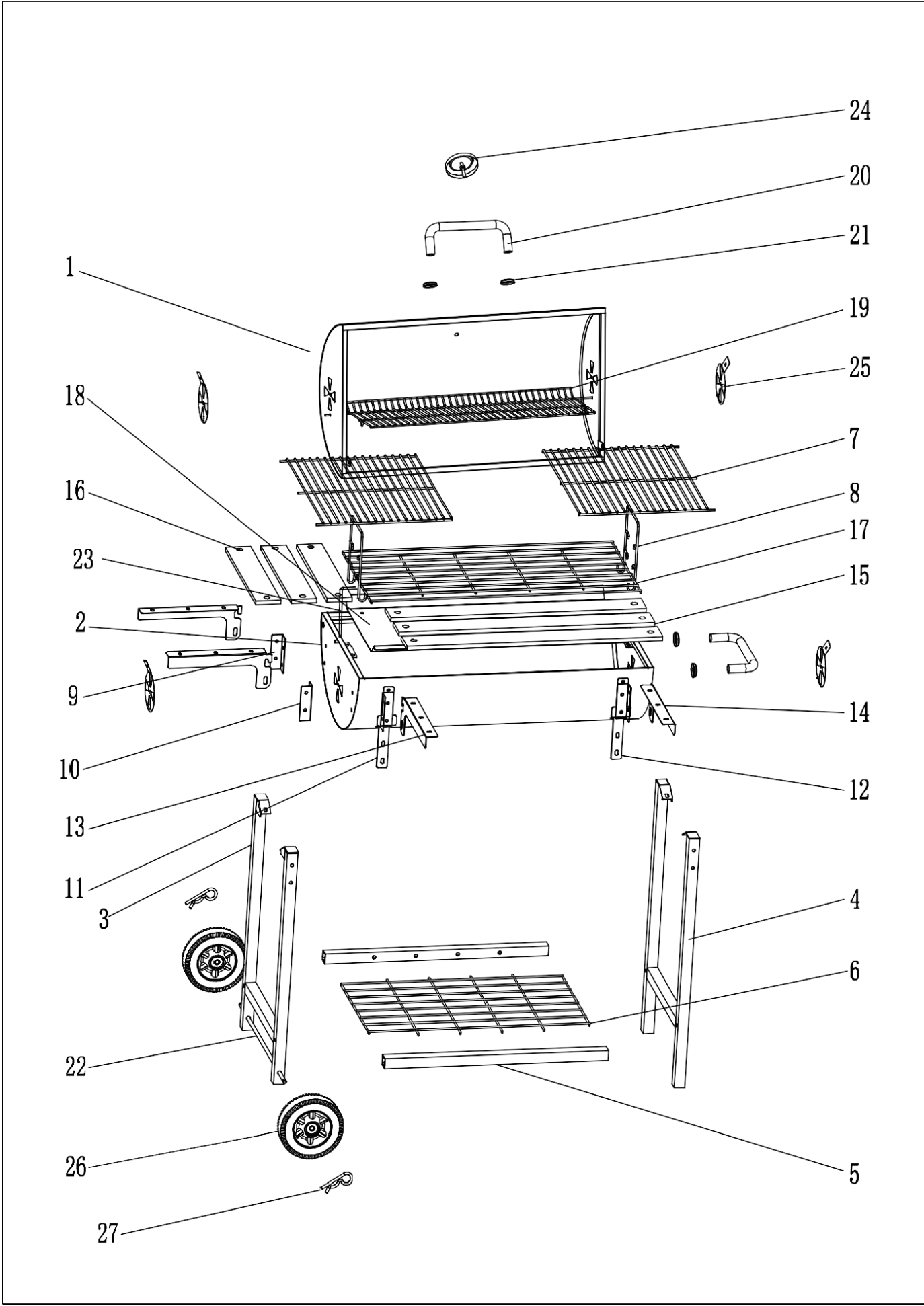


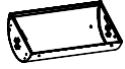

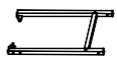

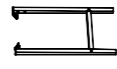



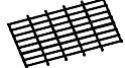

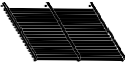



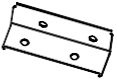
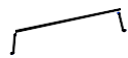
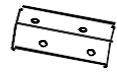

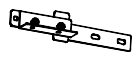

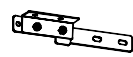



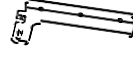


# Kentucky



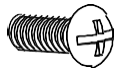

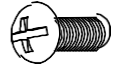
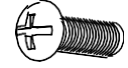
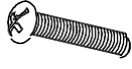
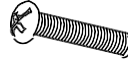




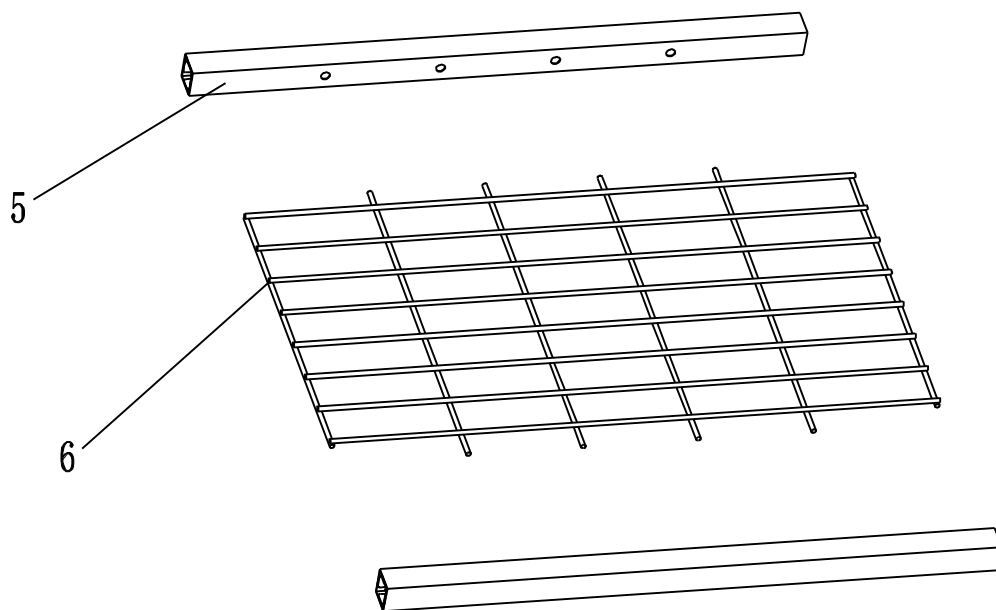
### 1. Part List

No.	Desc.	Pic.	Qty	No.	Desc.	Pic.	Qty
1	Lid		1	15	Front wood crate		3
2	Body		1	16	Side wood crate		3
3	Frame LH		1	17	Charcoal grid		1
4	Frame RH		1	18	Ash pan		1
5	Beam		2	19	Warming grid		1
6	Bottom grid		1	20	Handle		2
7	Cooking grid		2	21	Handle washer		4
8	Charcoal grid hook		2	22	Wheel axle		1
9	Side table hinge (LH)		1	23	Warming rack hook		1
10	Side table hinge (RH)		1	24	Thermometer		1
11	Front table hinge (LH)		1	25	Air door		4
12	Front table hinge (RH)		1	26	Wheel		2
13	Table support (LH)		2	27	R pin		2
14	Table support (RH)		2				

### 2. Screw List

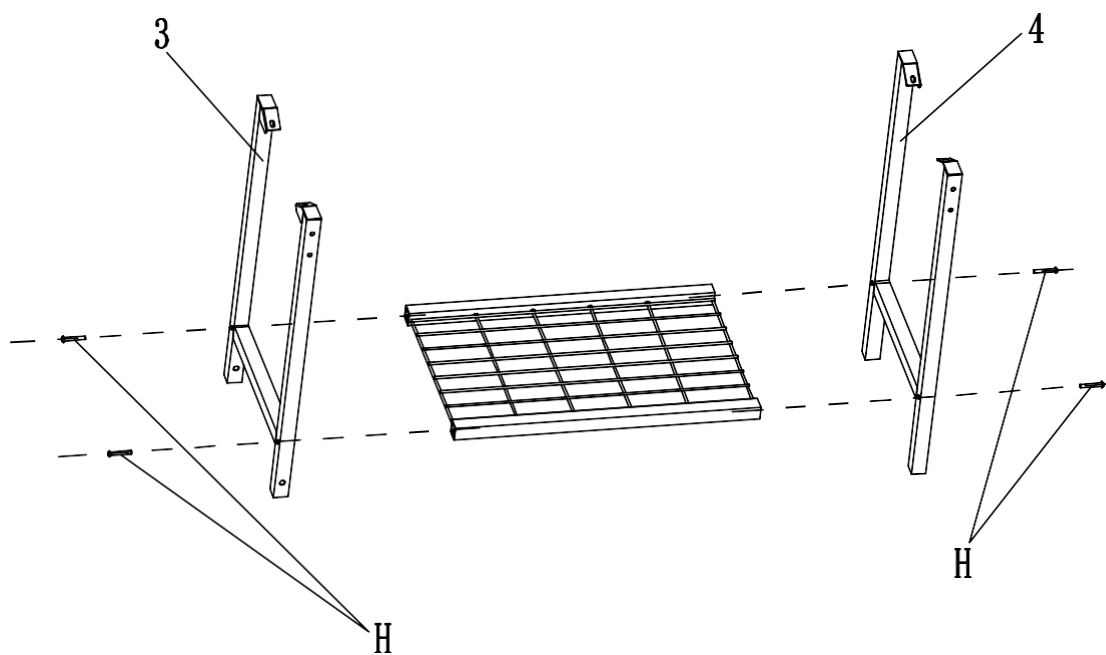
No.	Desc.	Pic.	Qty	No.	Desc.	Pic.	Qty
A	M6 nut		26	E	M6*20 shoulder screw		10
B	M6*12 screw		14	F	M5 nut		12
C	M6*16 screw		4	G	M5*16 screw		12
D	M6*35 screw		4	H	M6*45 screw		4

# Step 1

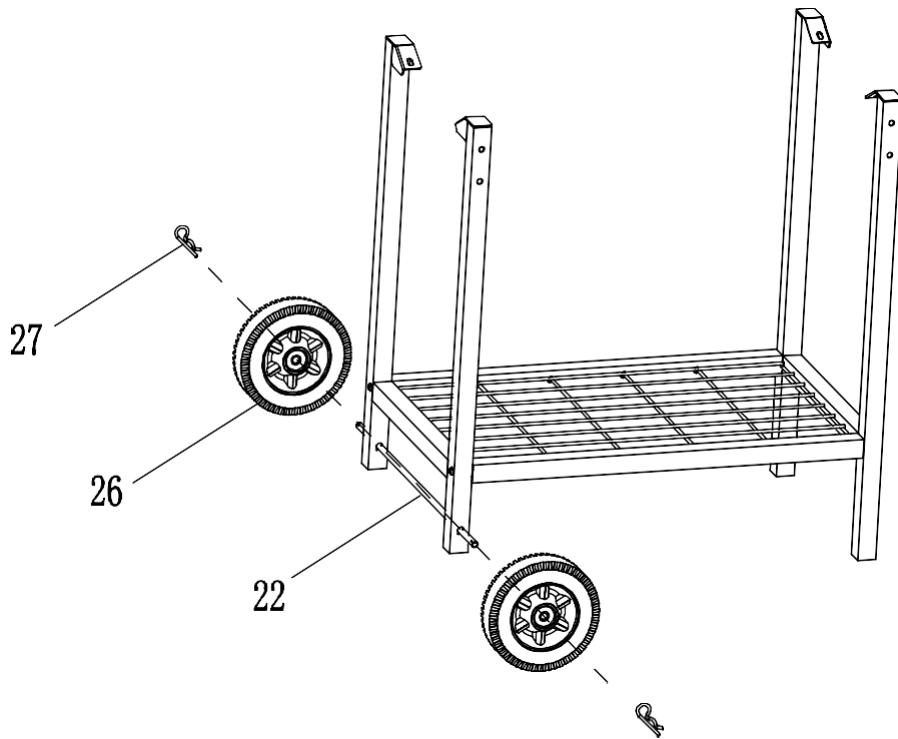


# Step 2

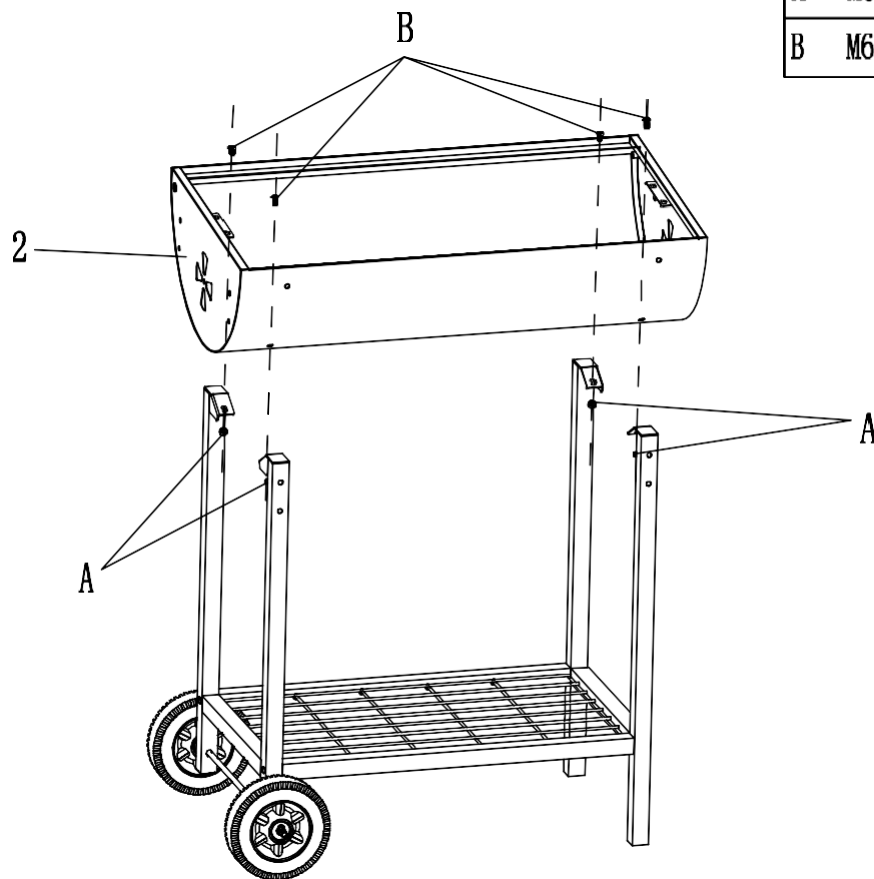
H M6\*45 screw 4PCS



# Step 3



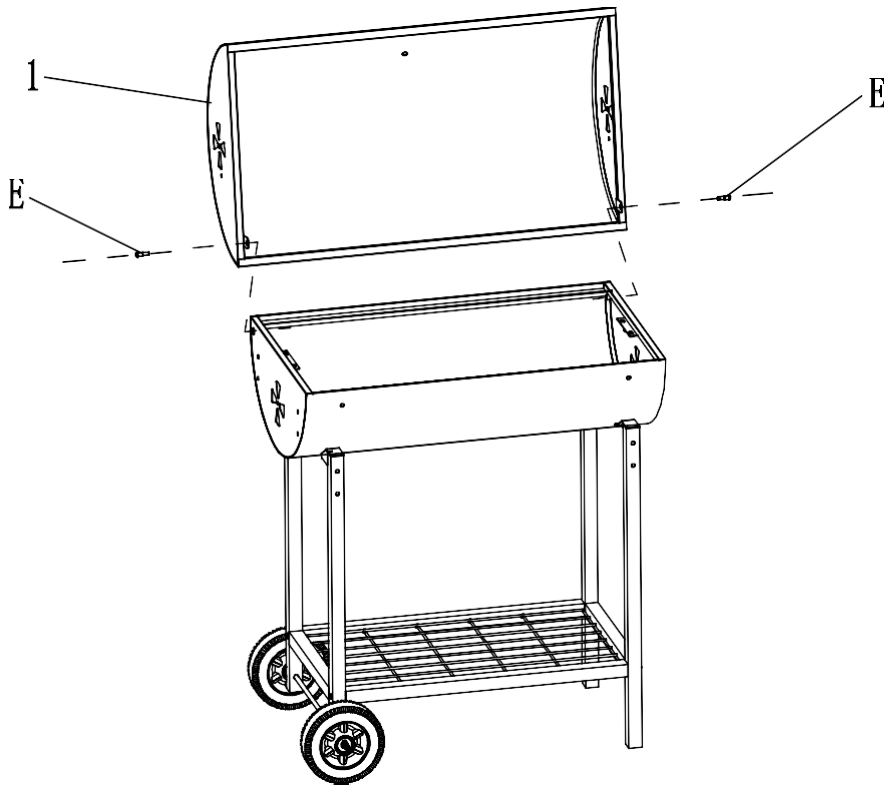
# Step 4



A	M6 nut	4PCS
B	M6*12 screw	4PCS

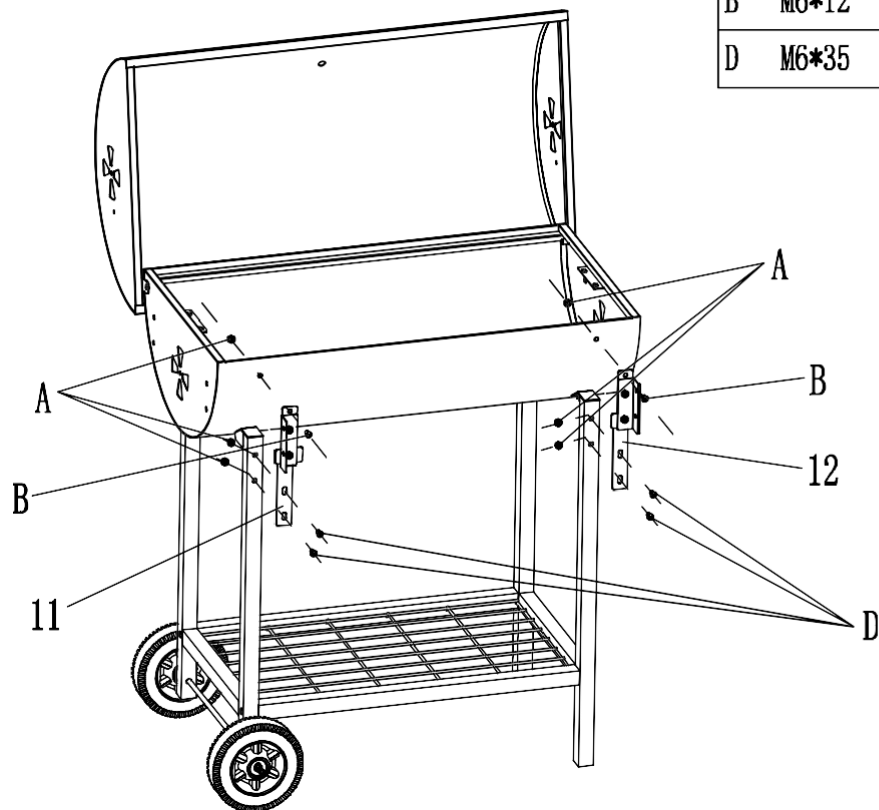
# Step 5

E M6\*20 shoulder screw 2PCS



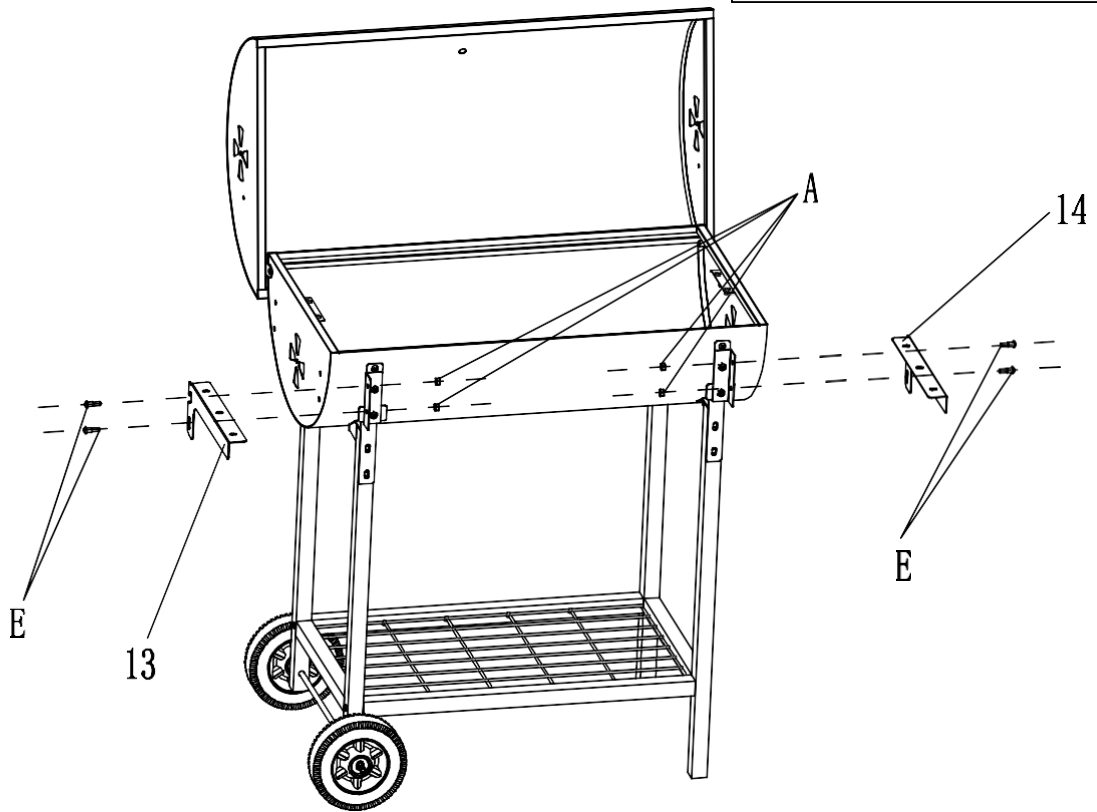
# Step 6

A	M6 nut	6PCS
B	M6*12 screw	2PCS
D	M6*35 screw	4PCS



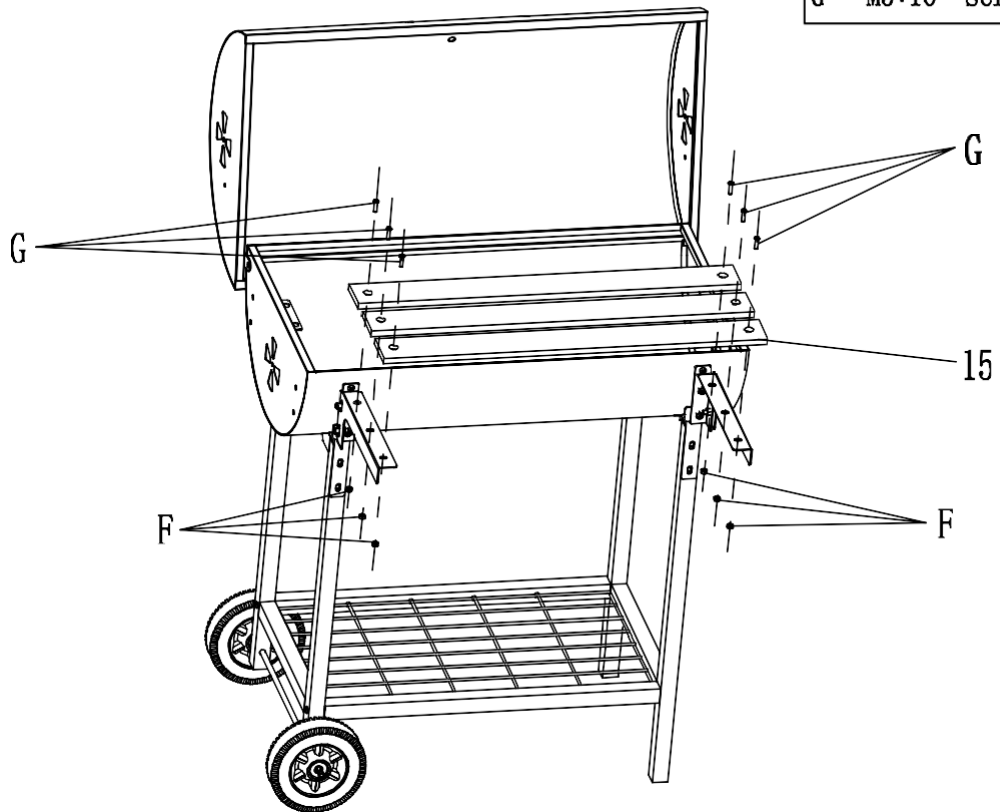
# Step 7

A	M6 nut	4PCS
E	M6*20 shoulder screw	4PCS



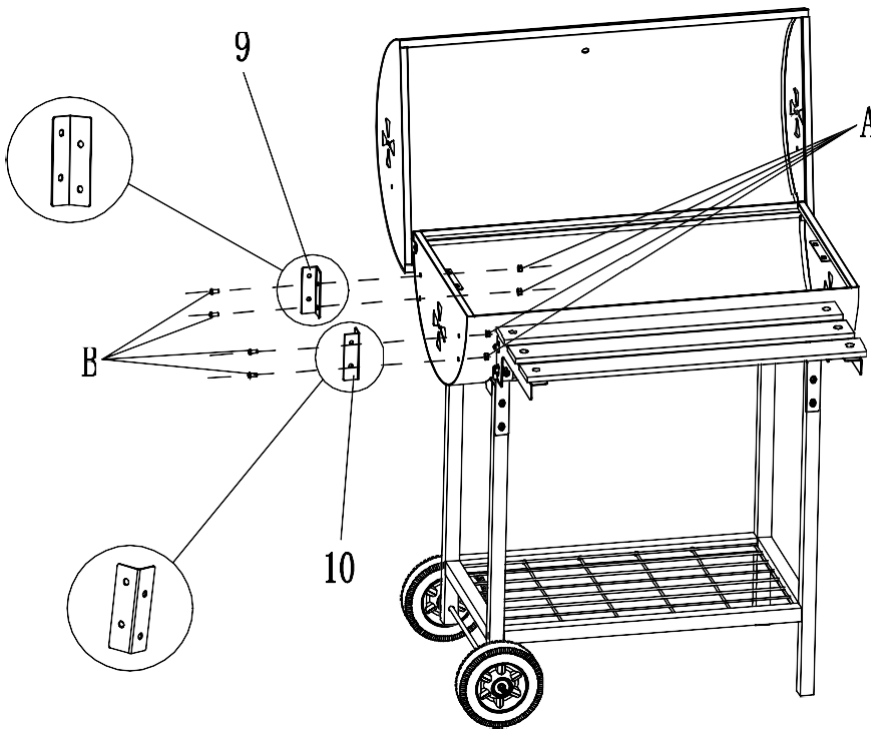
# Step 8

F	M5 nut	6PCS
G	M5*16 screw	6PCS



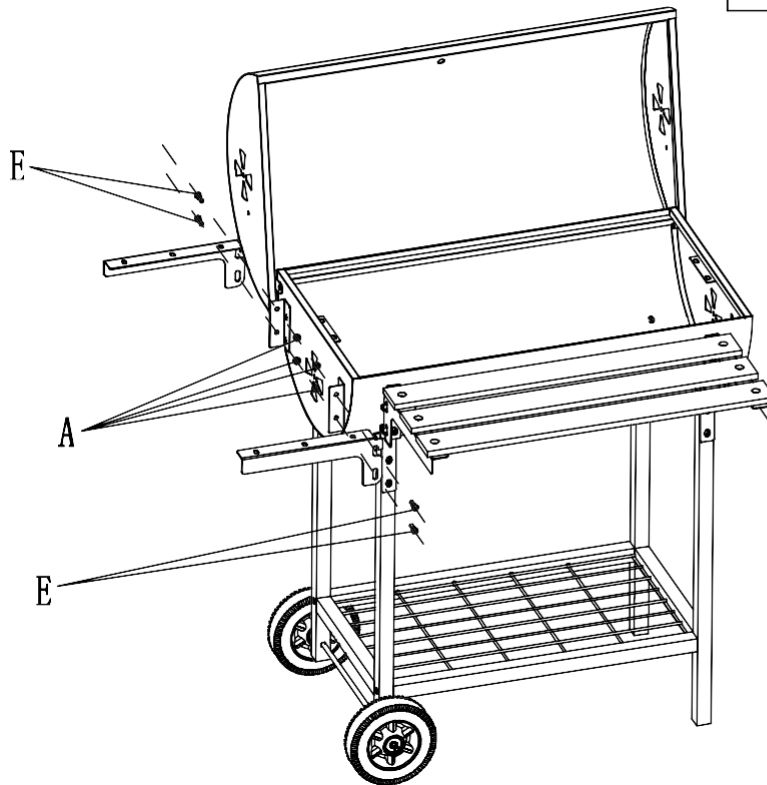
# Step 9

A	M6 nut	4PCS
B	M6*12 screw	4PCS



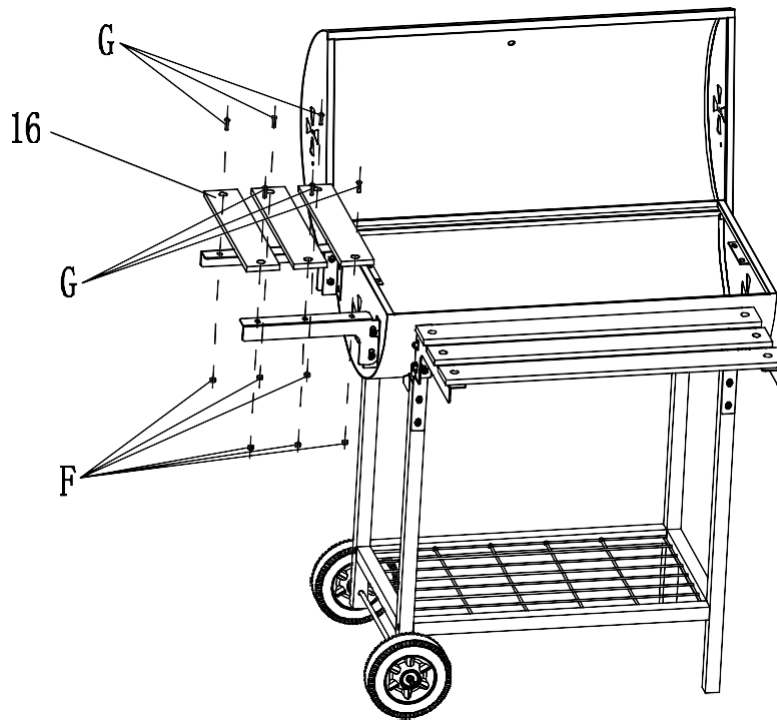
# Step 10

A	M6 nut	4PCS
E	M6*20 shoulder screw	4PCS



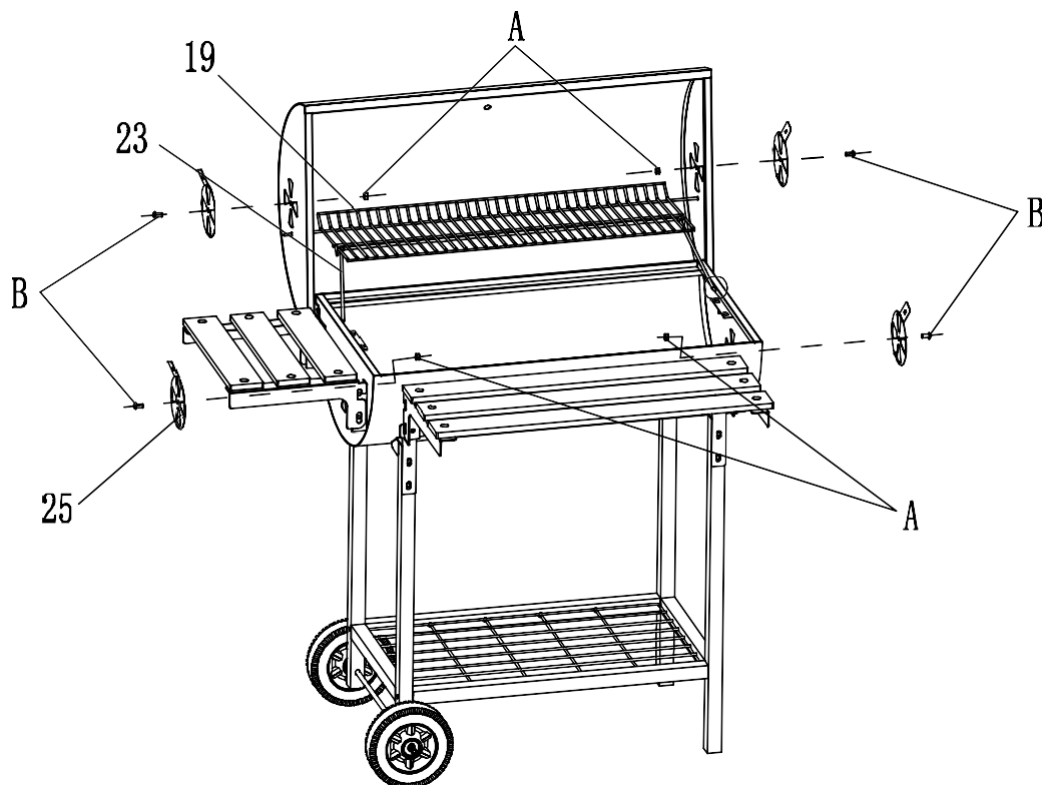
# Step 11

F	M5 nut	6PCS
G	M5*16 screw	6PCS



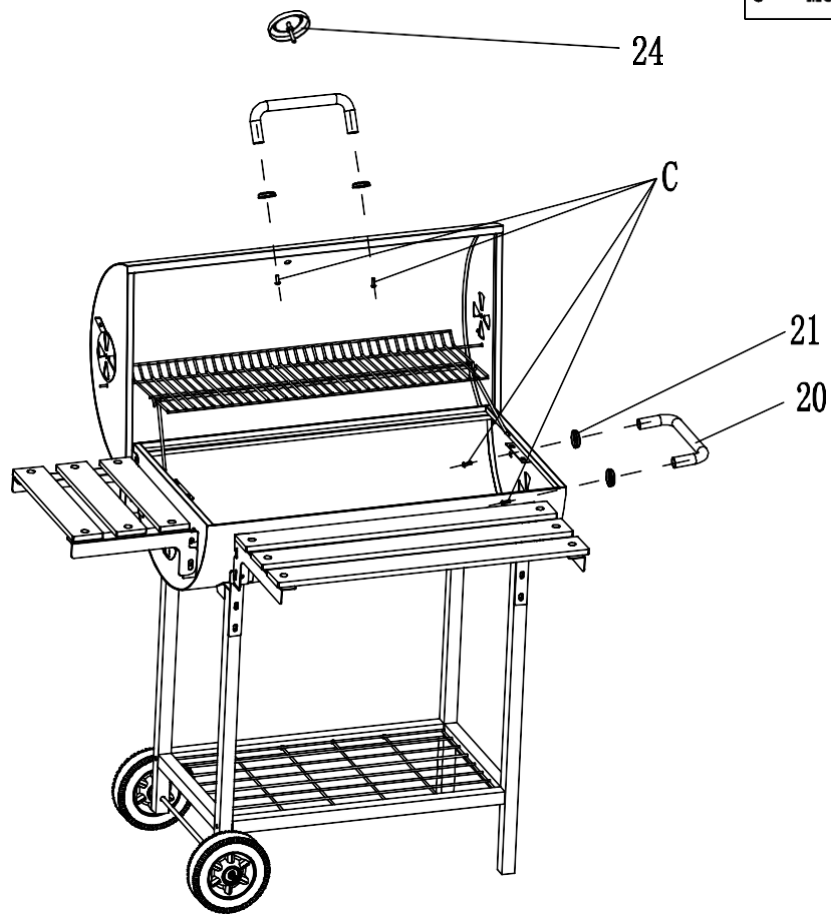
# Step 12

A	M6 nut	4PCS
B	M6*12 screw	4PCS

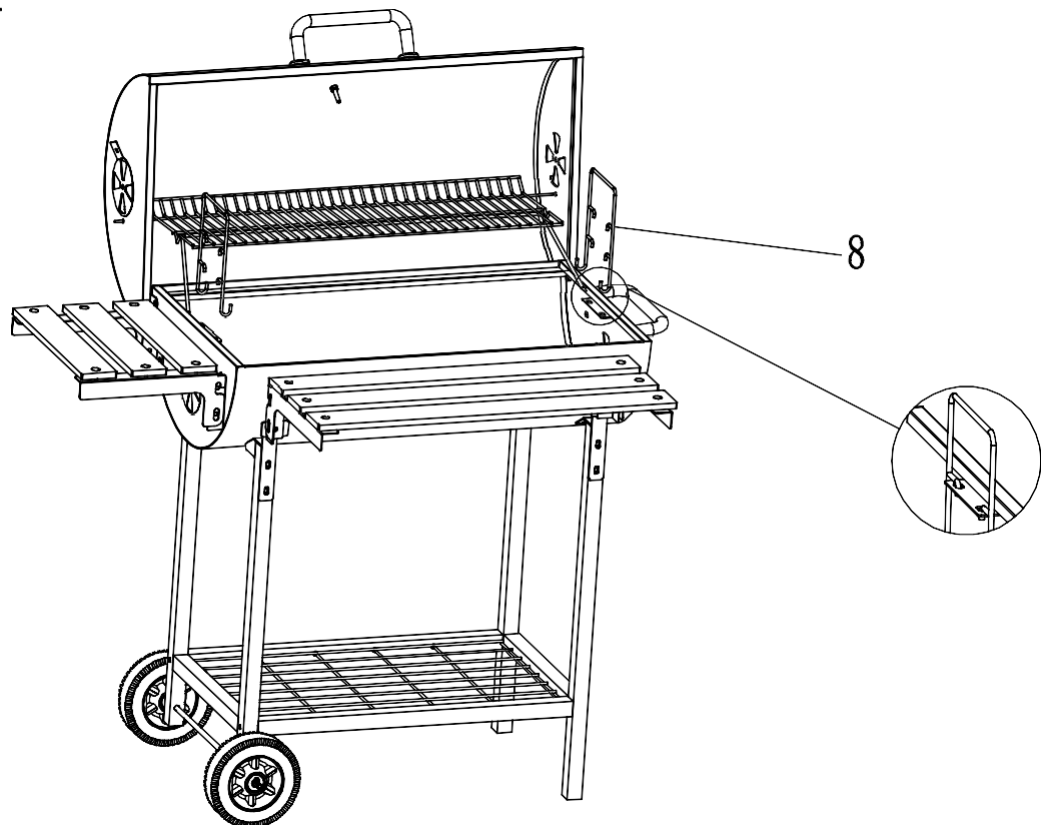


# Step 13

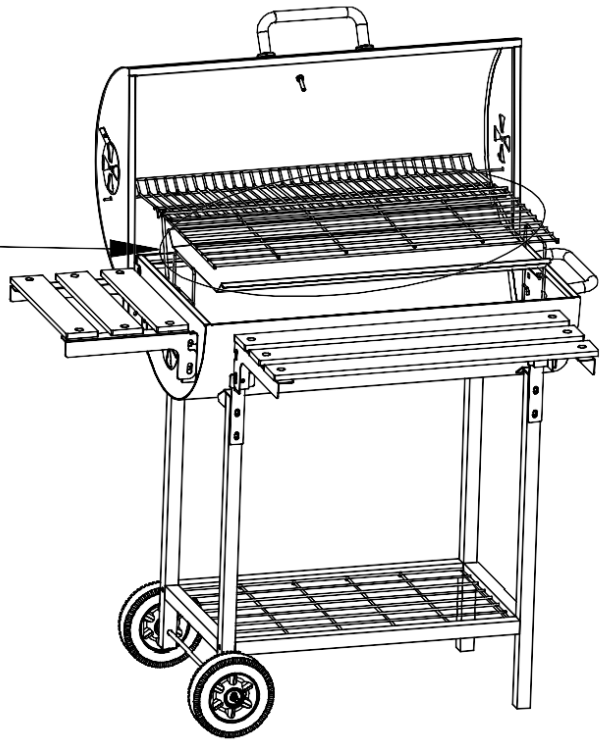
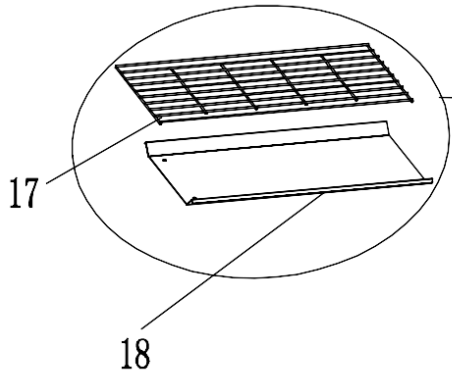
C M6\*16 screw 4PCS



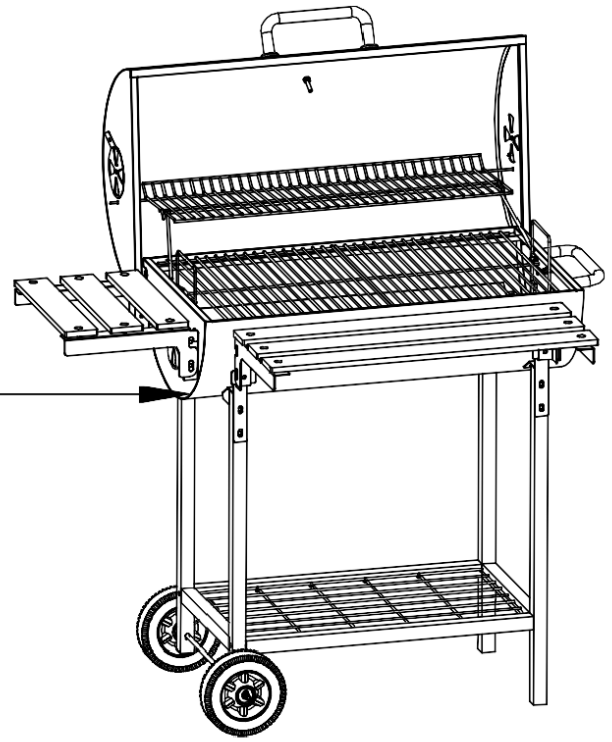
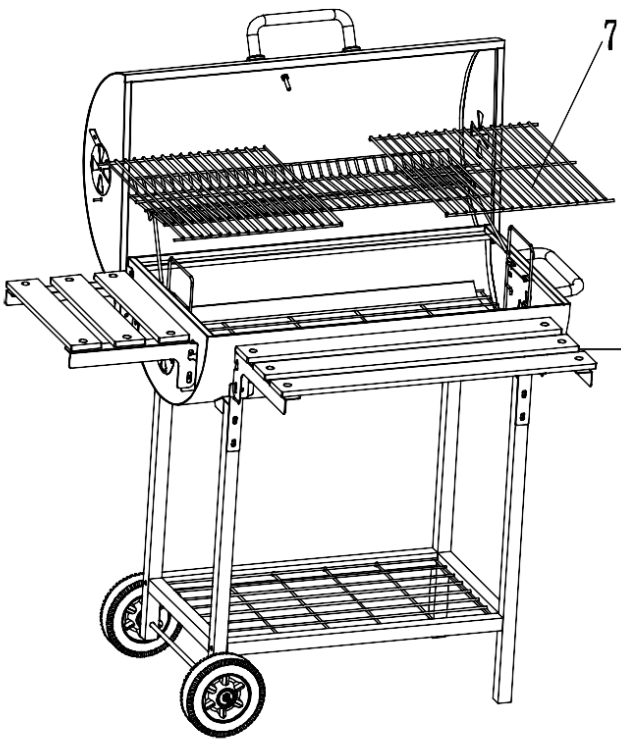
# Step 14



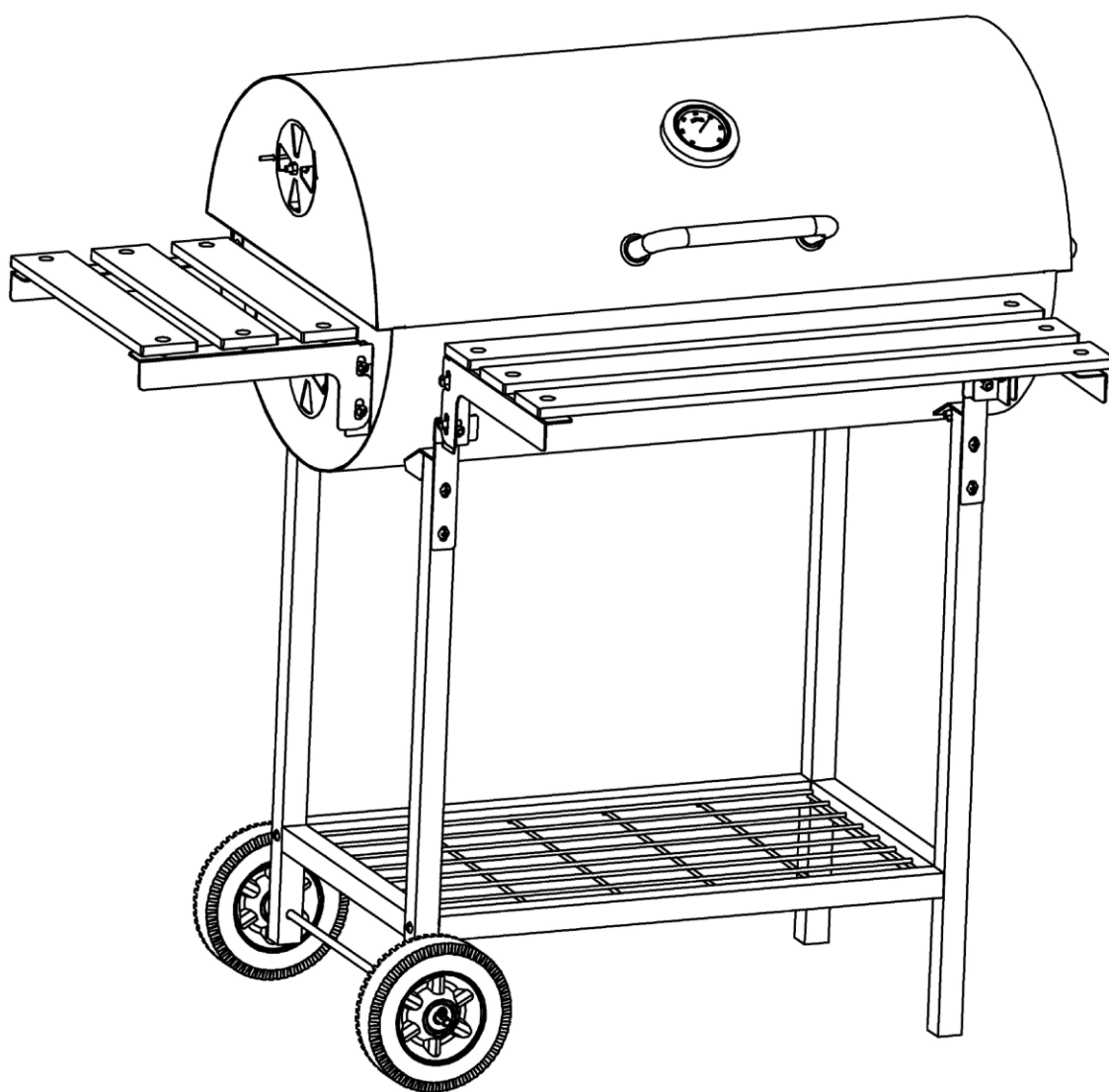
# Step 15

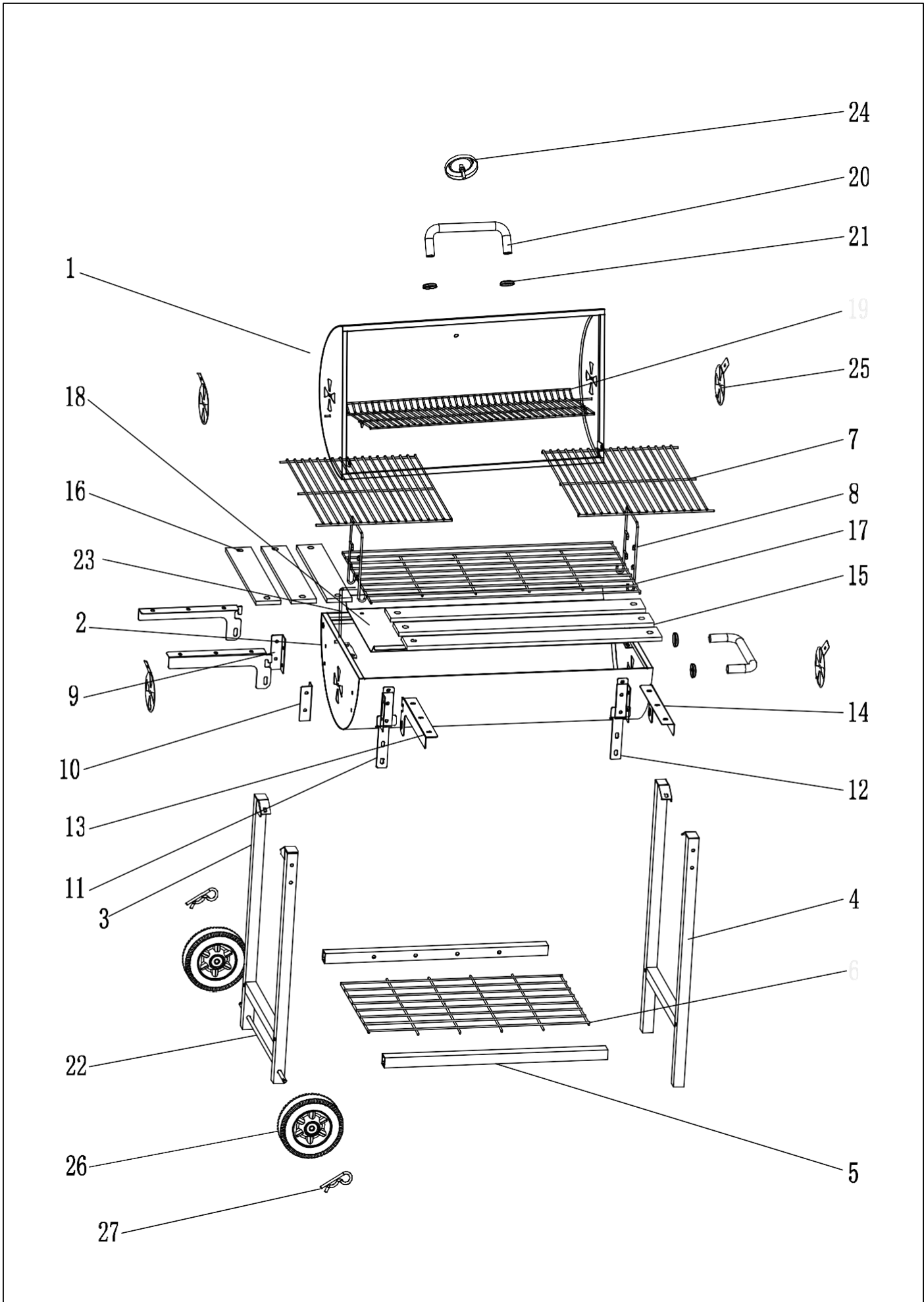


# Step 16














# Kentucky





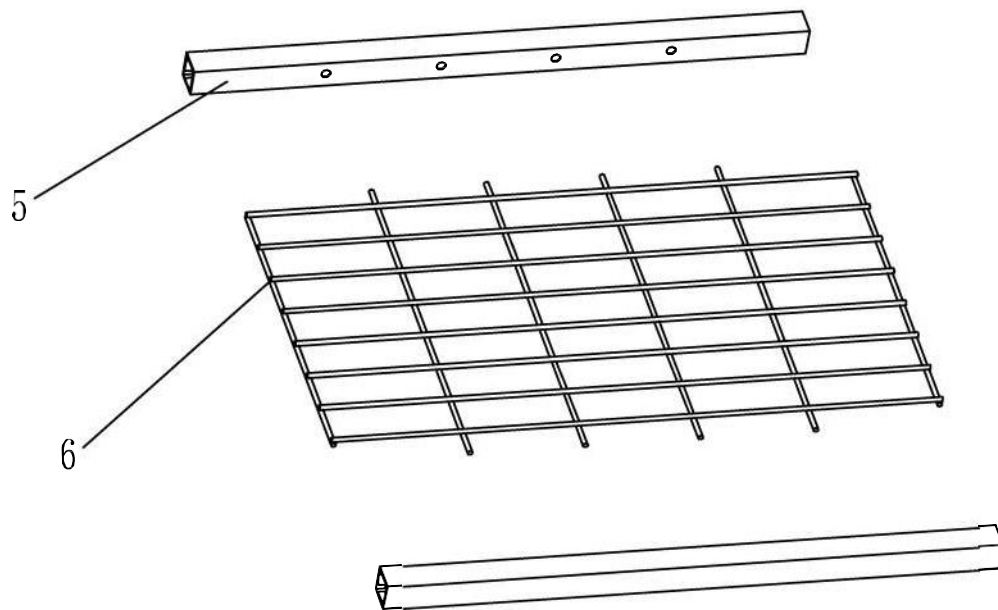
# 1. Liste des pièces

	Qtés	No.	Desc
			
			
			
			
			
			

# 2. Liste des vis

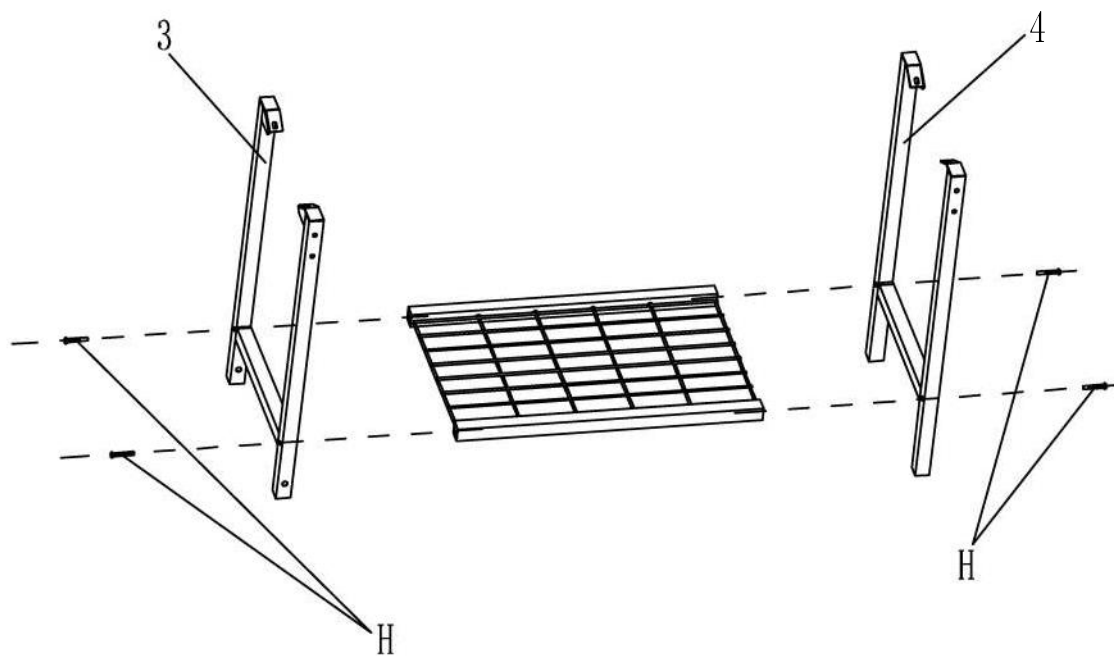
--	--

# Etape 1

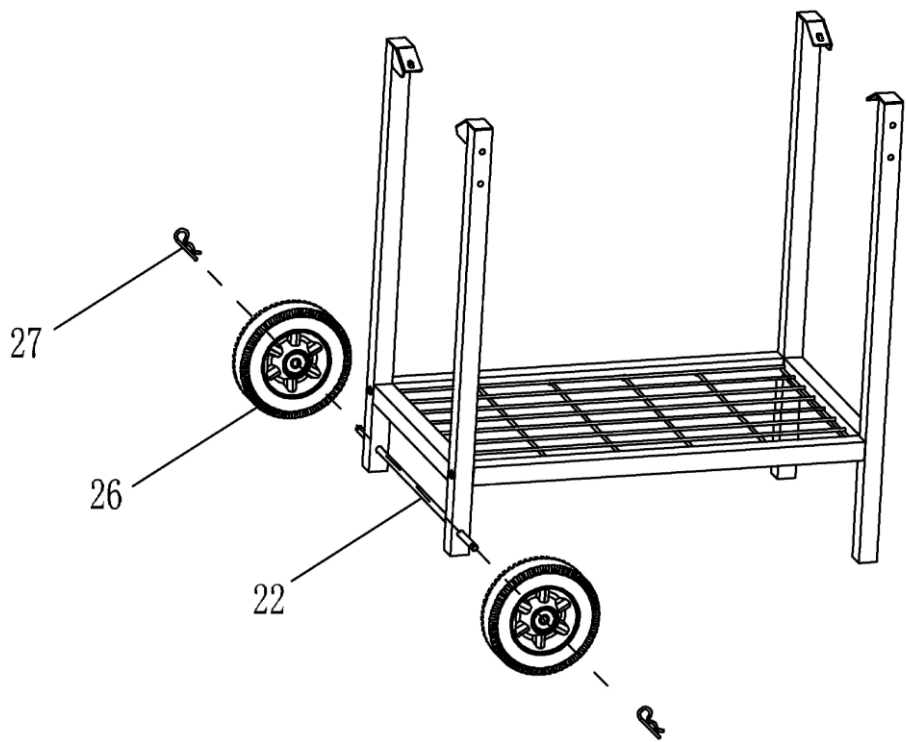


# Etape 2

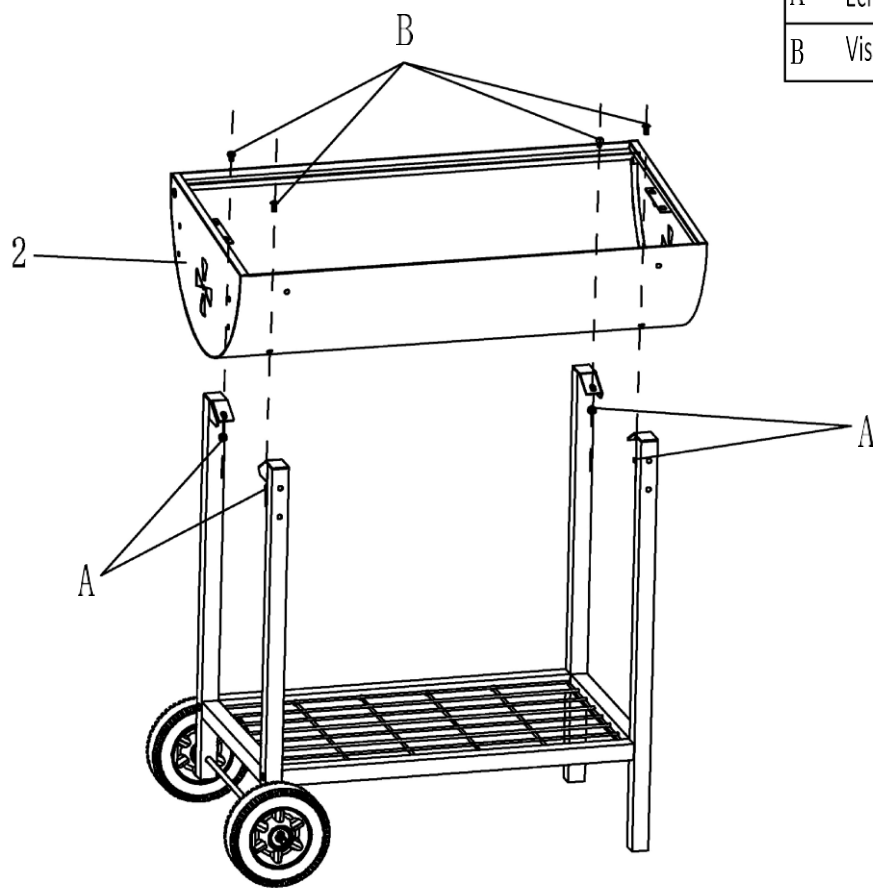
H VIS M6\*45 4PCS



# Etape 3

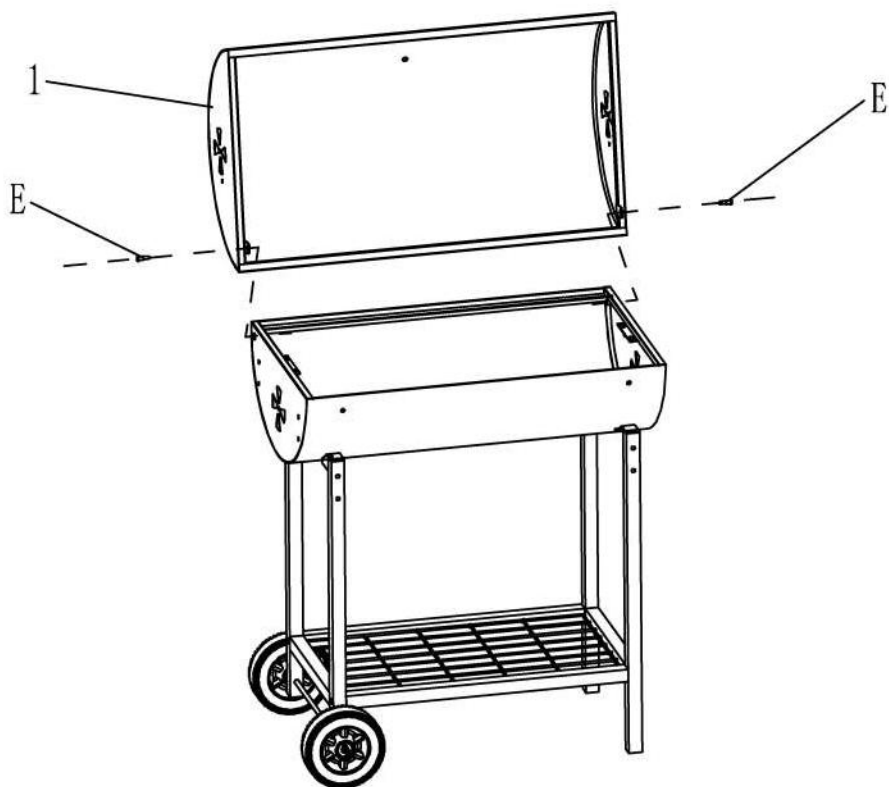


# Etape 4



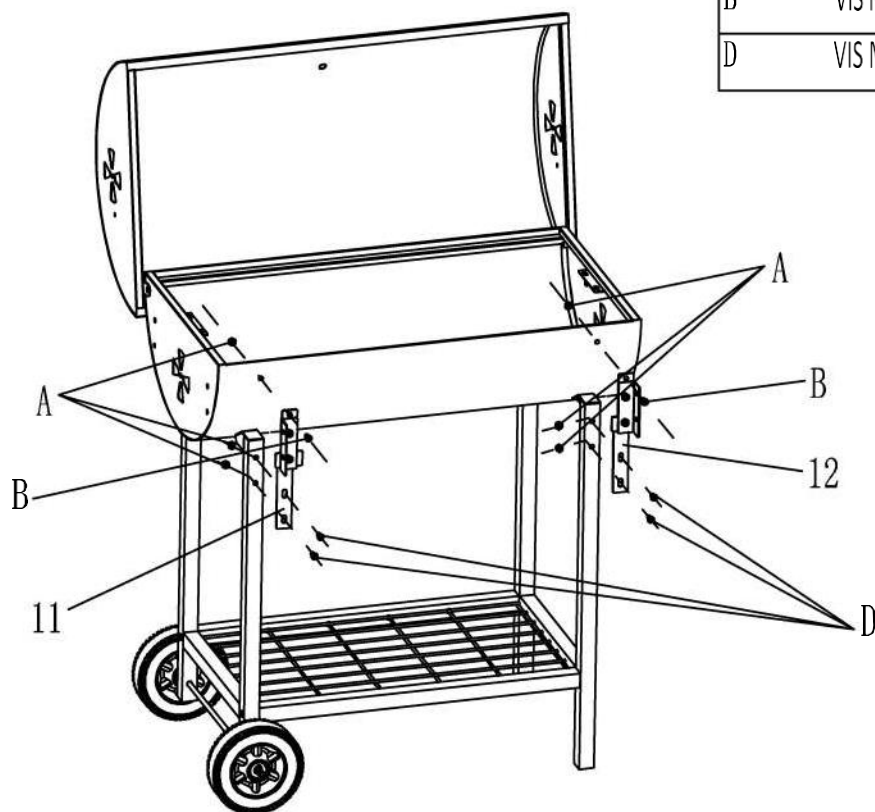
## Etape 5

E Vis épaulée M6\*20 2PCS



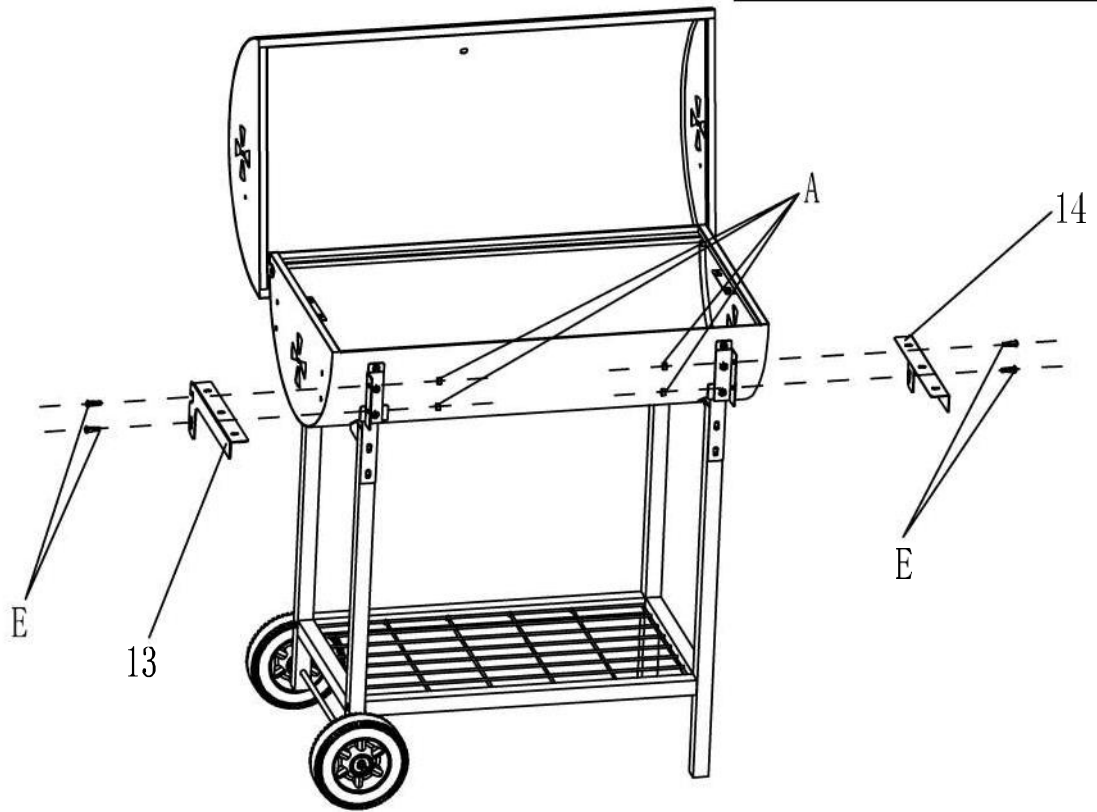
## Etape 6

A	Ecrou M6	6PCS
B	VIS M6*12	2PCS
D	VIS M6*35	4PCS



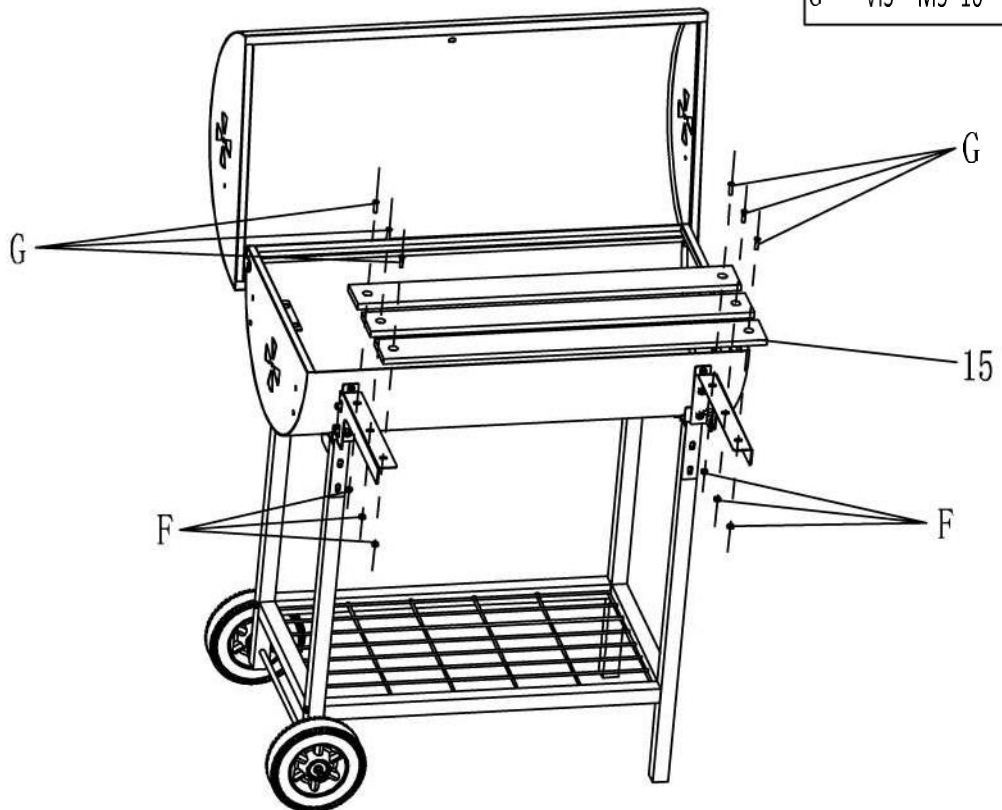
## Etape 7

A	Ecrou M6	4PCS
E	Vis épaulée M6*20	4PCS



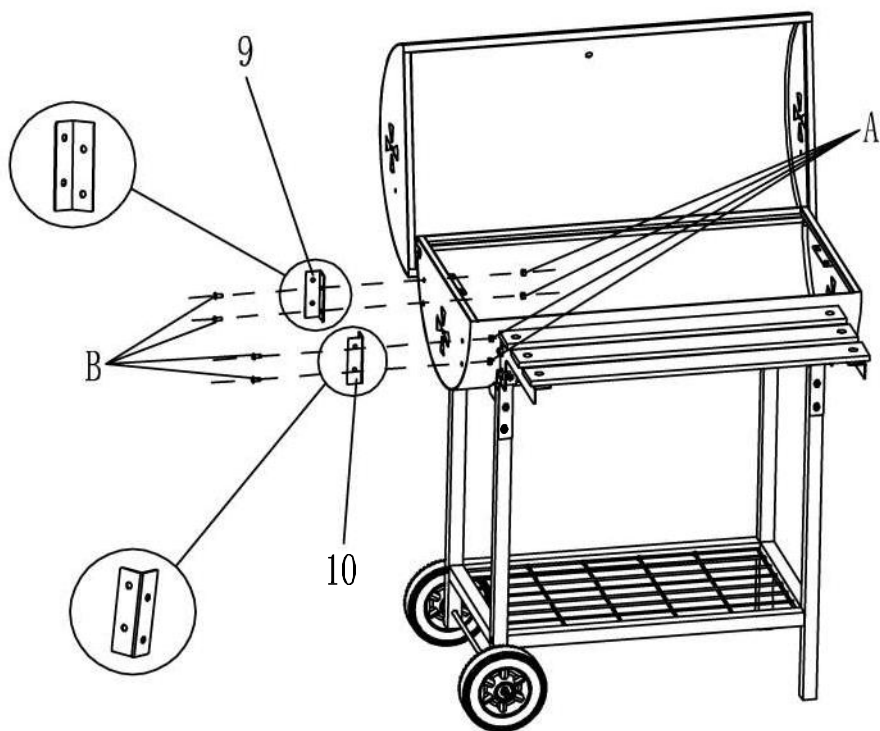
## Etape 8

F	Ecrou M5	6PCS
G	VIS M5*16	6PCS



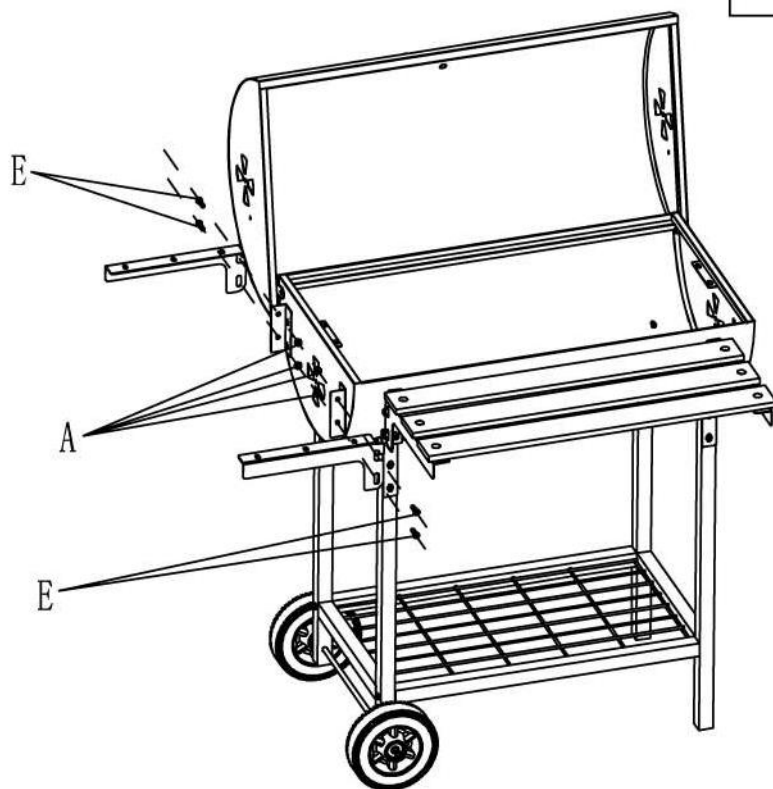
# Etape 9

A	Ecrou M6	4PCS
B	Vis M6*12	4PCS



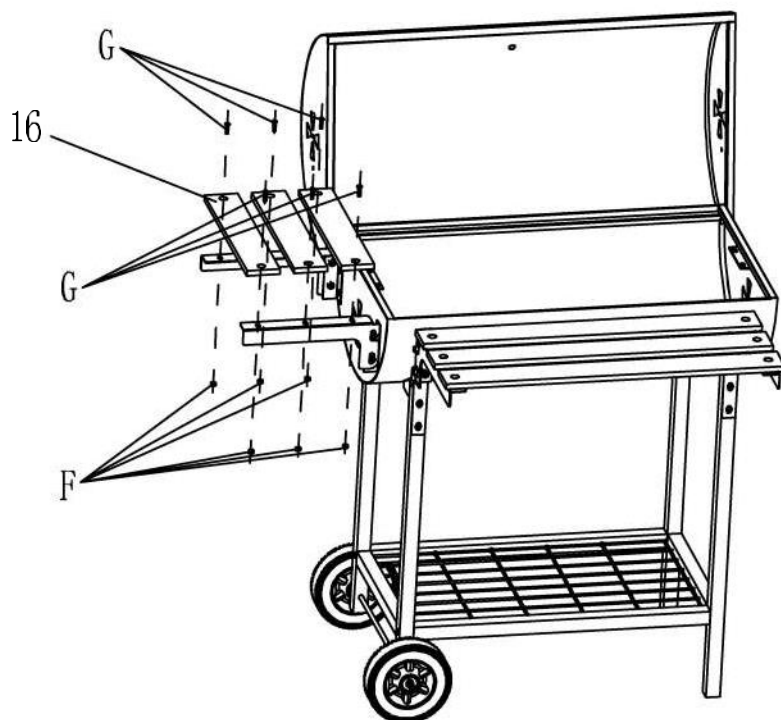
# Etape 10

A	Ecrou M6	4PCS
E	Vis épaulée M6*20	4PCS



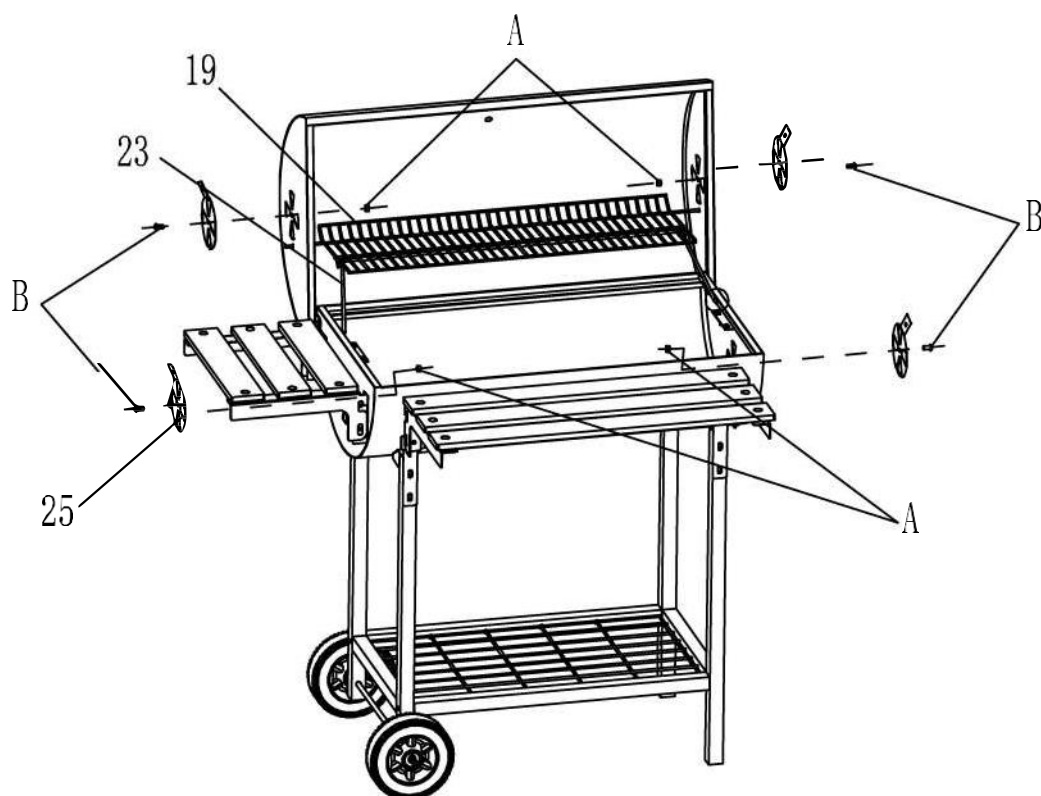
# Etape 11

F	Ecrou M5	6PCS
G	Vis M5*16	6PCS



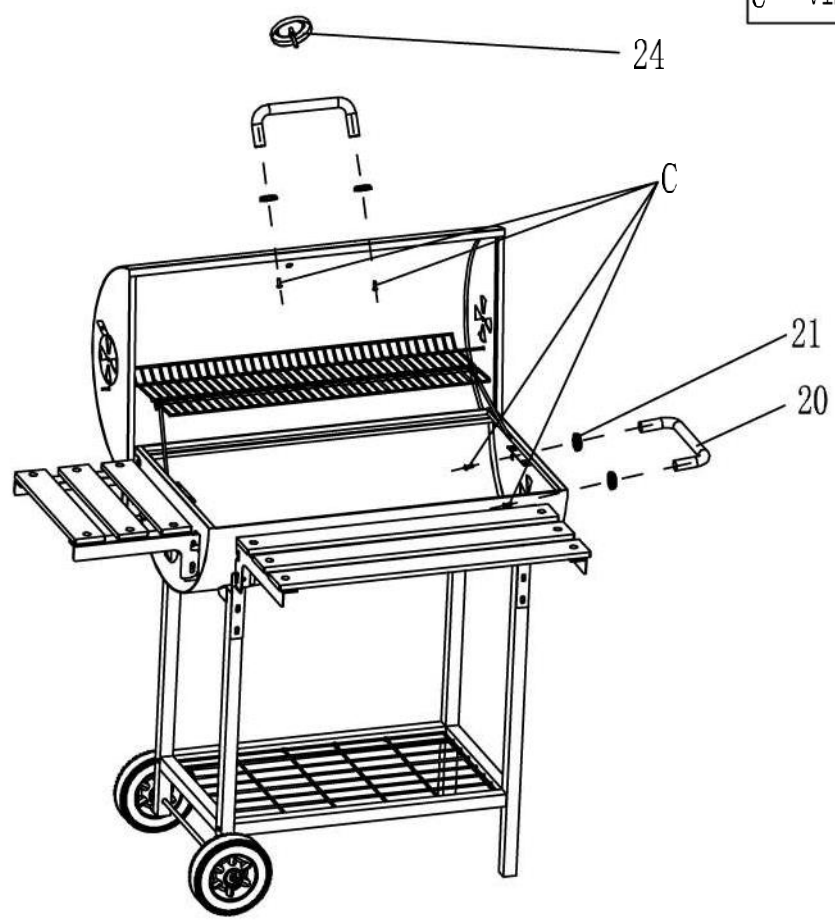
# Etape 12

A	Ecrou 26	4PCS
B	Vis M6*12	4PCS

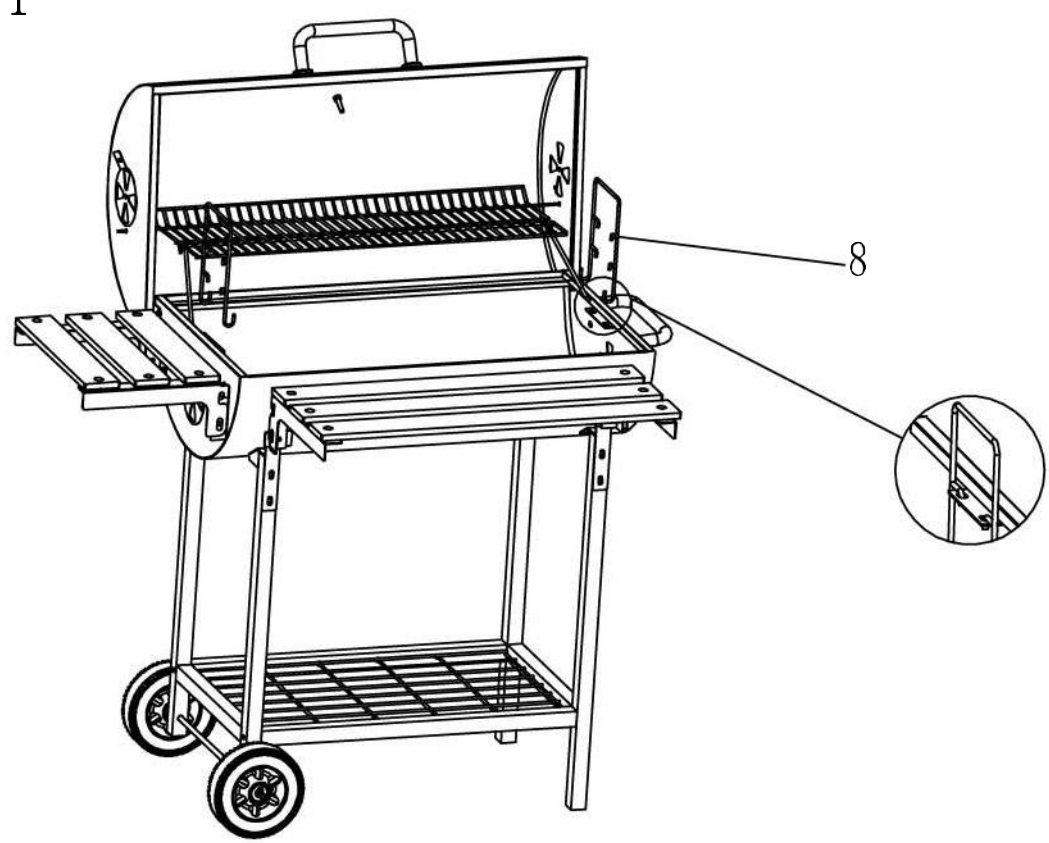


# Etape 13

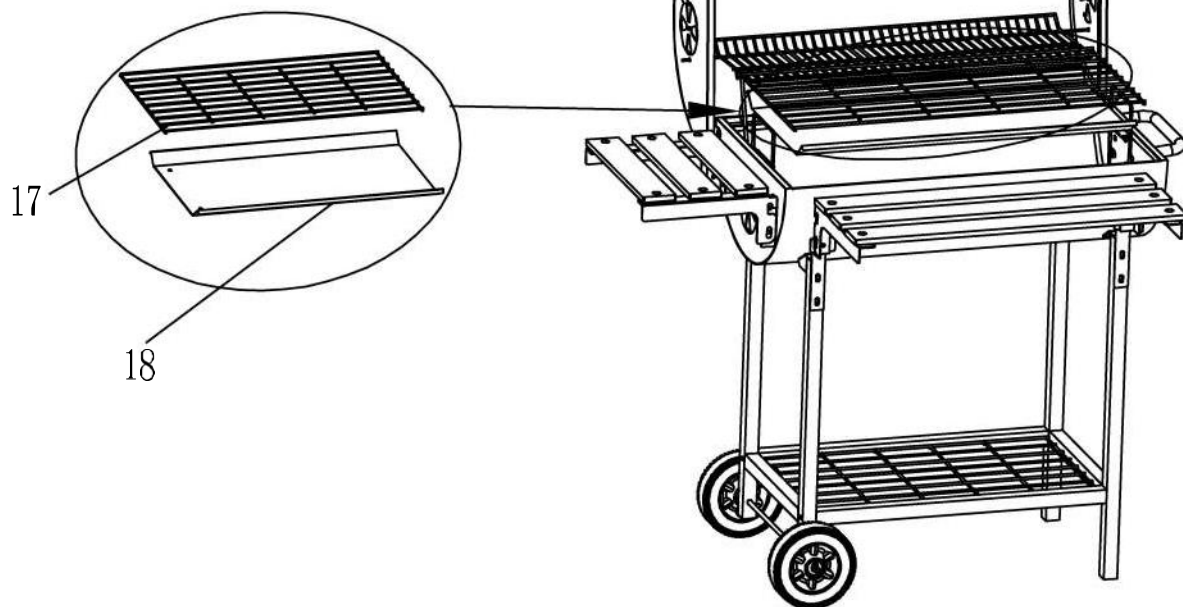
C Vis M6\*16 4PCS



# Etape 14



# Etape 15



# Etape 16

