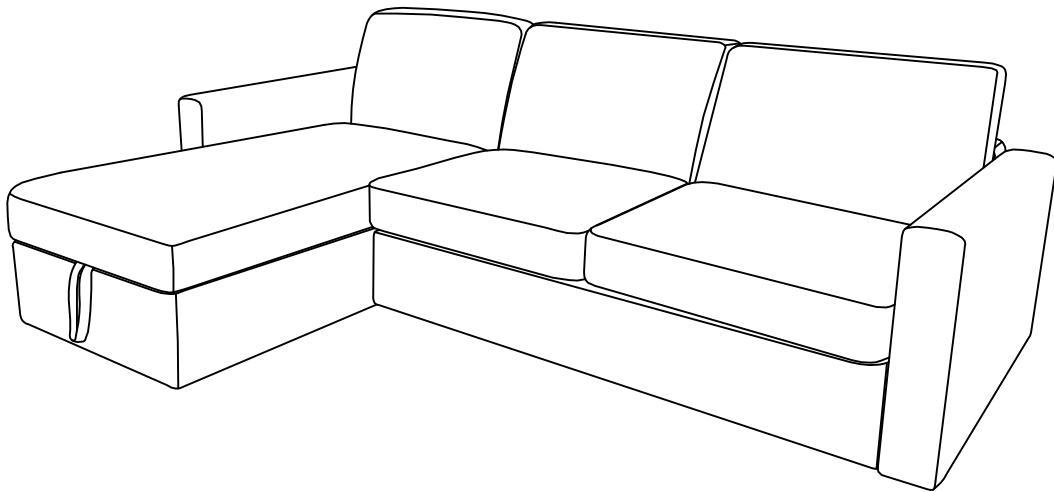


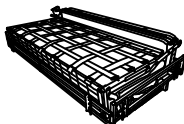

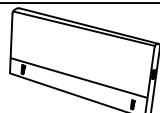
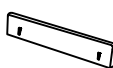
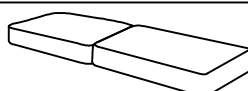
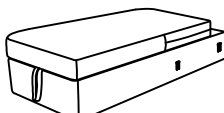
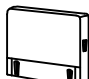



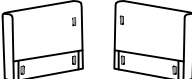


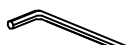
# CELIA

1589\_144124 1589\_144125



**h&j** Habitat  
et Jardin

# 1589\_144124 1589\_144125

A		145*86*42cm	x1	1/3
B		145*47*20cm	x1	1/3
C		145*65*12cm	x1	1/3
D		145*65*40cm	x1	1/3
E		147*59*11	x1	1/3
F		150*72*40cm	x1	2/3
G		69*55*12cm	x1	2/3
H		60*50mm	x4	2/3
I		74*47*20mm	x1	2/3
J		100*30mm	x4	2/3
K		94*53*15mm	x2	3/3
L		M8*38mm	x4	2/3
M		M8*19mm	x4	2/3
O		M6	x1	2/3

FR : SAV/INFORMATION /VIDEO/CONTACT

EN: AFTER-SALES SERVICE/INFORMATION/VIDEO/CONTACT

DE : REPARATUR-SERVICE UND ERSATZTEILE /INFORMATIONEN /VIDEO/KONTAKT

ES: SERVICIO POST-VENTA/INFORMACIÓN/VIDEO/CONTACTO

IT: SERVIZIO ASSISTENZA/INFORMAZIONI/VIDEO/CONTATTO

PT: SERVIÇO PÓS-VENDA/INFORMAÇÕES/VIDEO/CONTATO

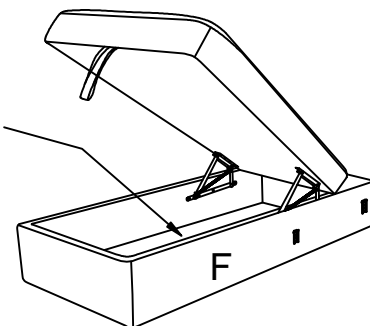
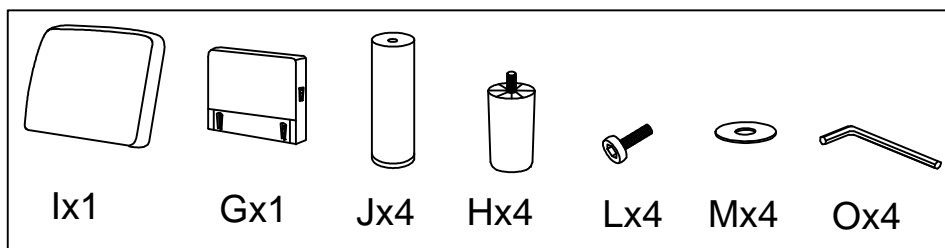
PL: SERWIS TECHNICZNY/INFORMACJE/WIDEO/KONTAKT

NE: AFTER SALES SERVICE/INFORMATIE/VIDEO/CONTACT

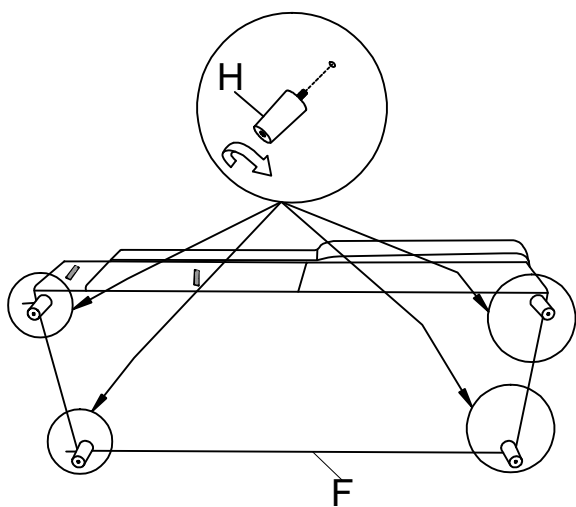
HE: עש לתקשר/הווידיאו/ מידע/ומכירות שירות לאחר

[SAV.HABITATETJARDIN.COM](http://SAV.HABITATETJARDIN.COM)

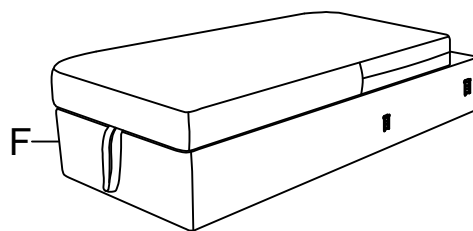
1:



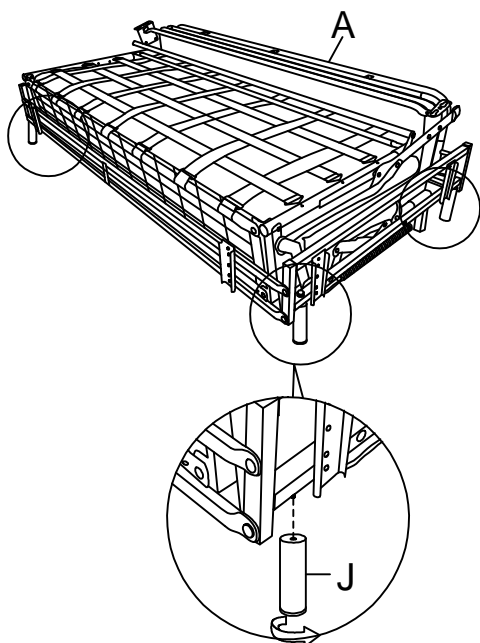
2:



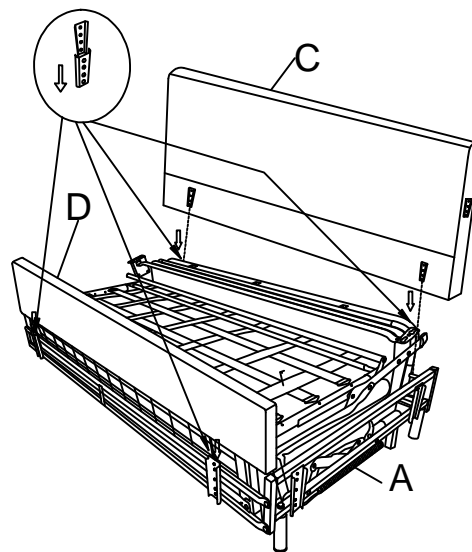
3:



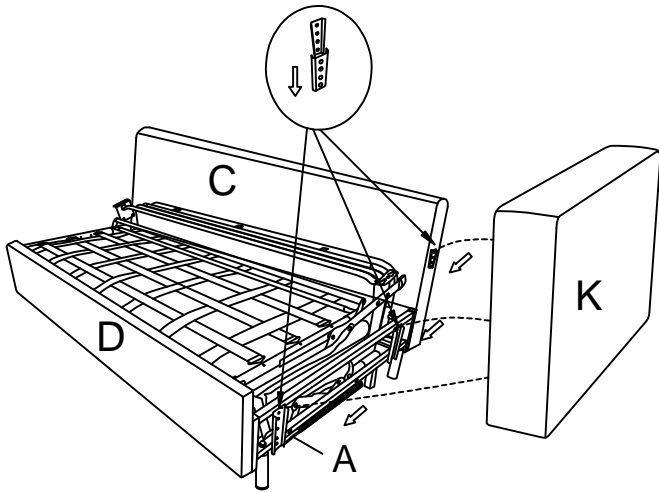
4:



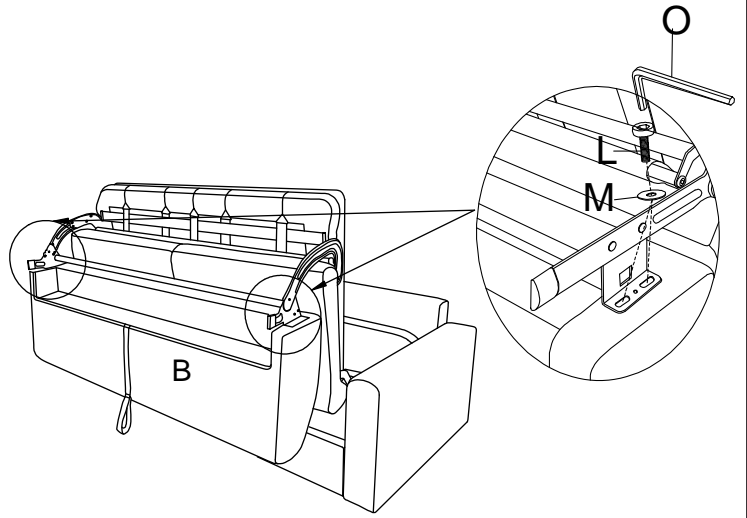
5:



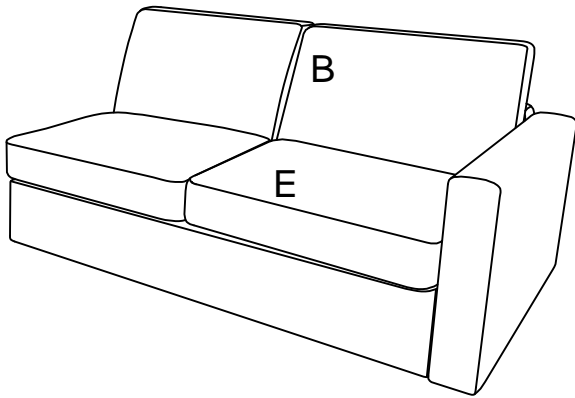
6:



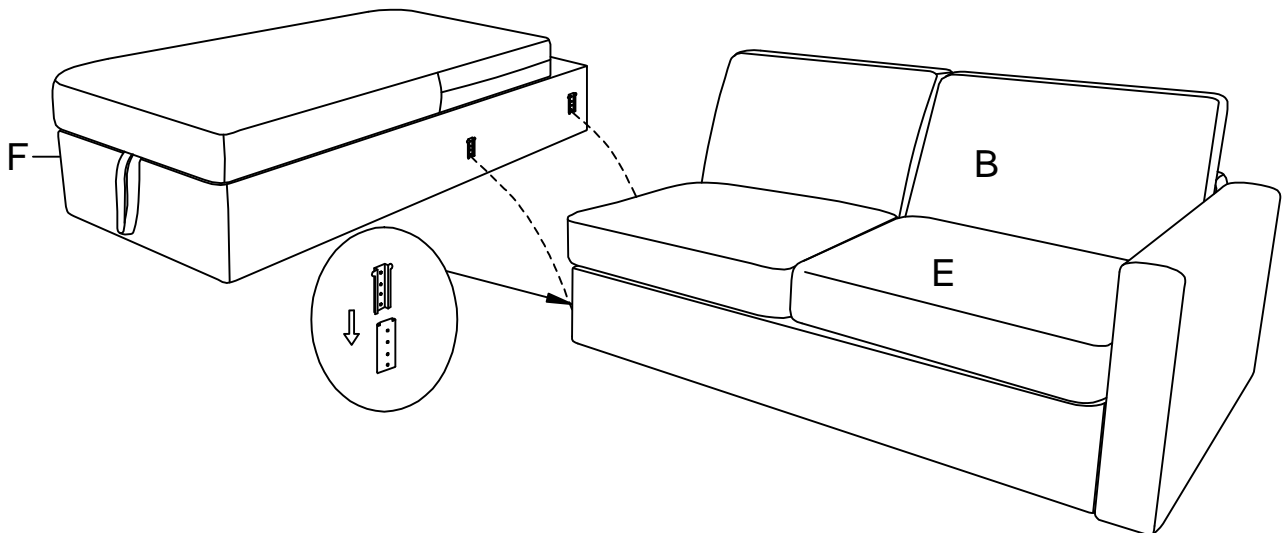
7:



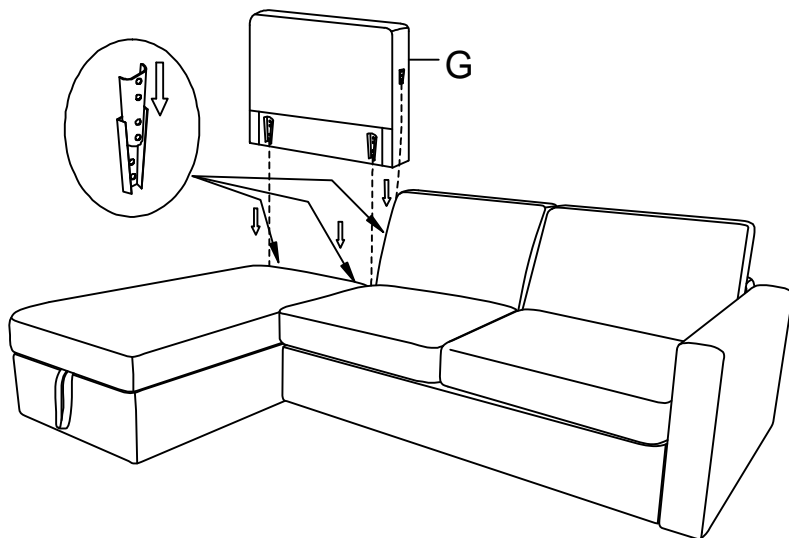
8:



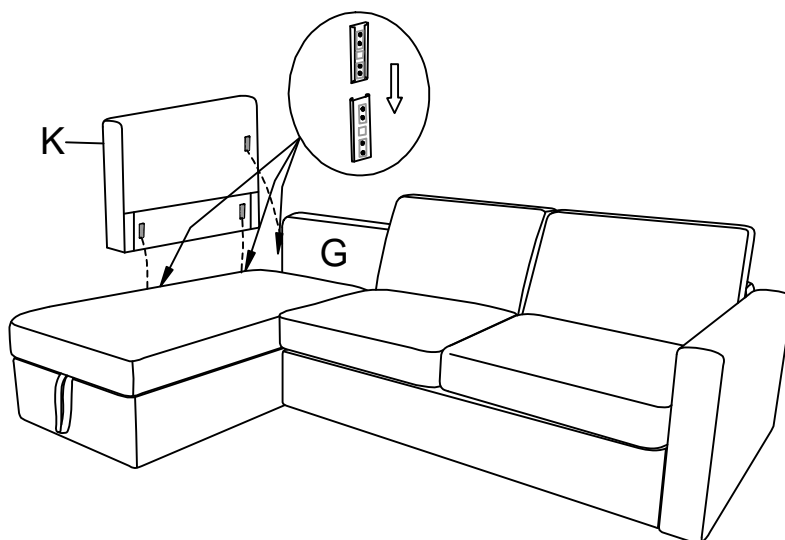
9



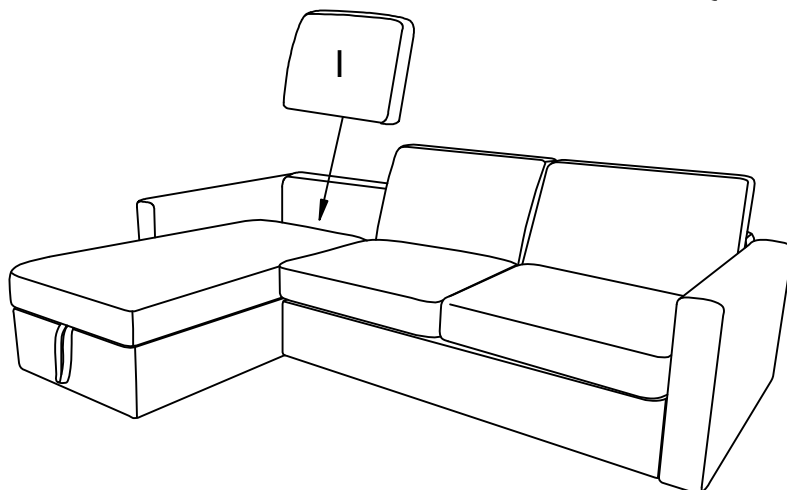
10:



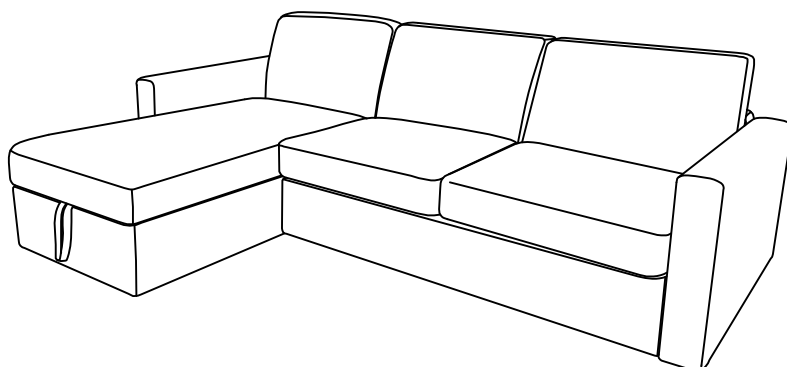
11:



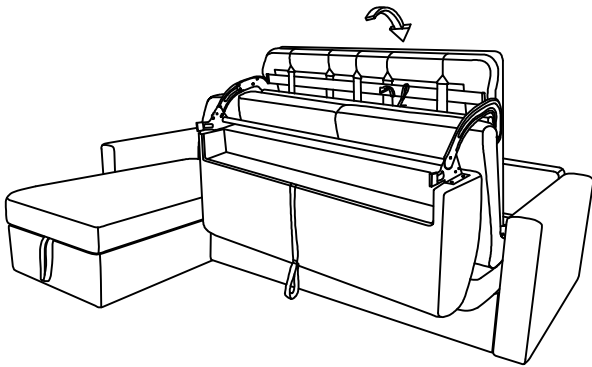
12:



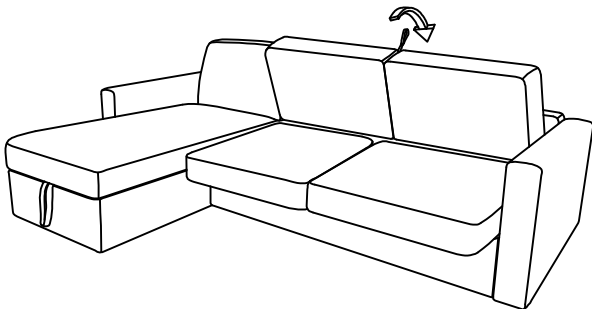
13:



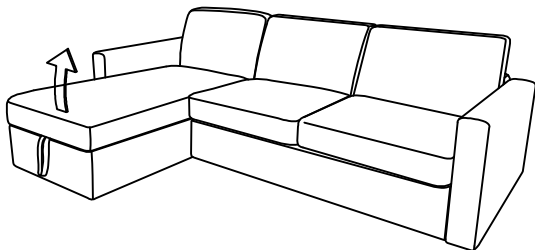
1.



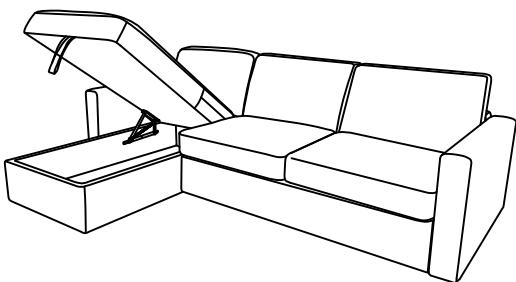
2.



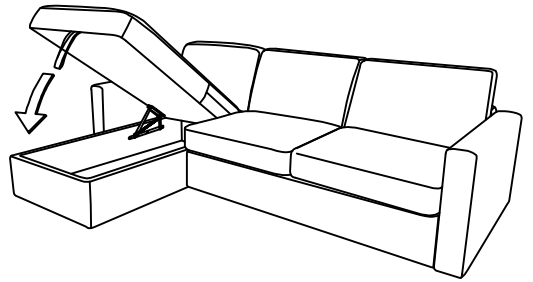
3.



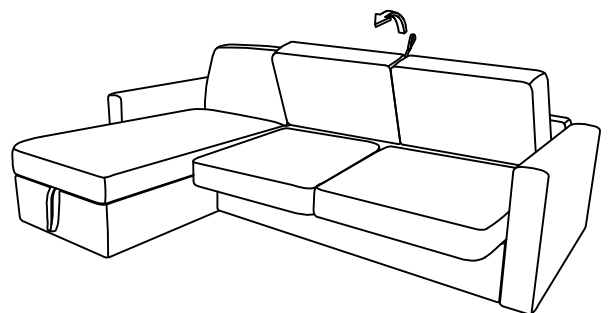
4.



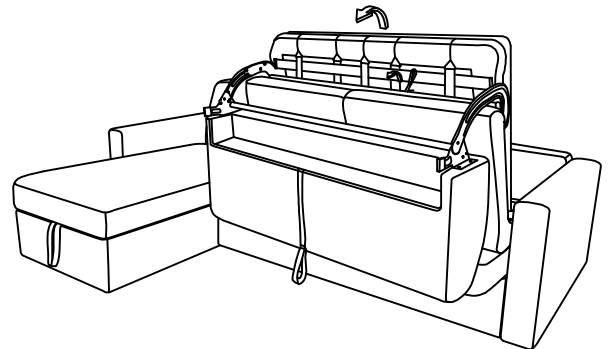
1.



2.



3.



3.

