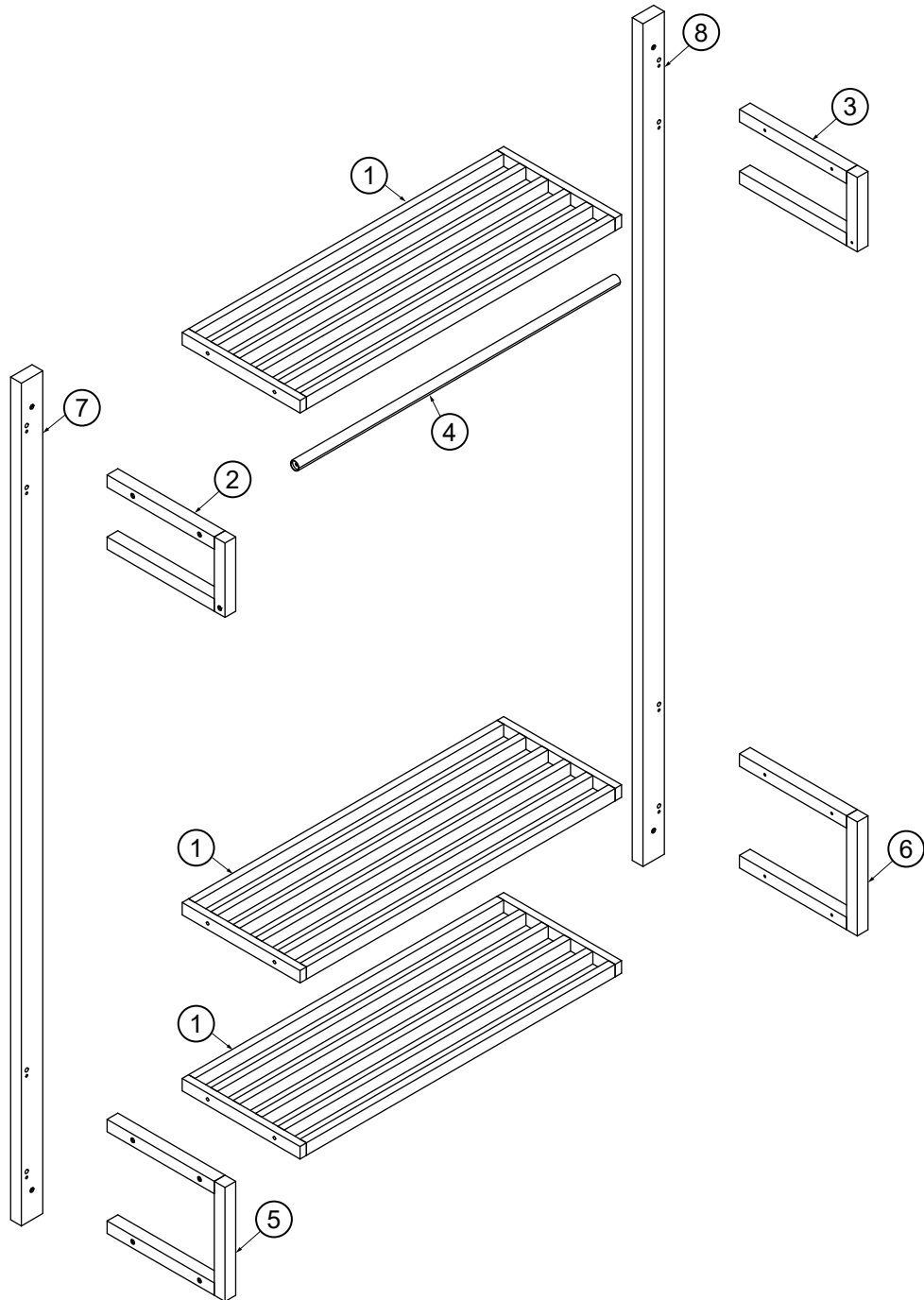
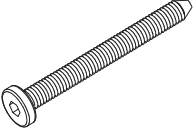
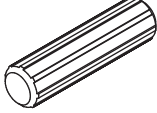
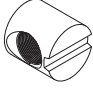

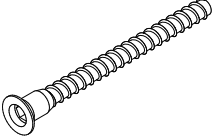
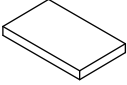


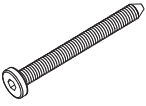


			✓
①	3	750x273x25	
②	1	275x150x25	
③	1	275x150x25	
④	1	Φ22x750	

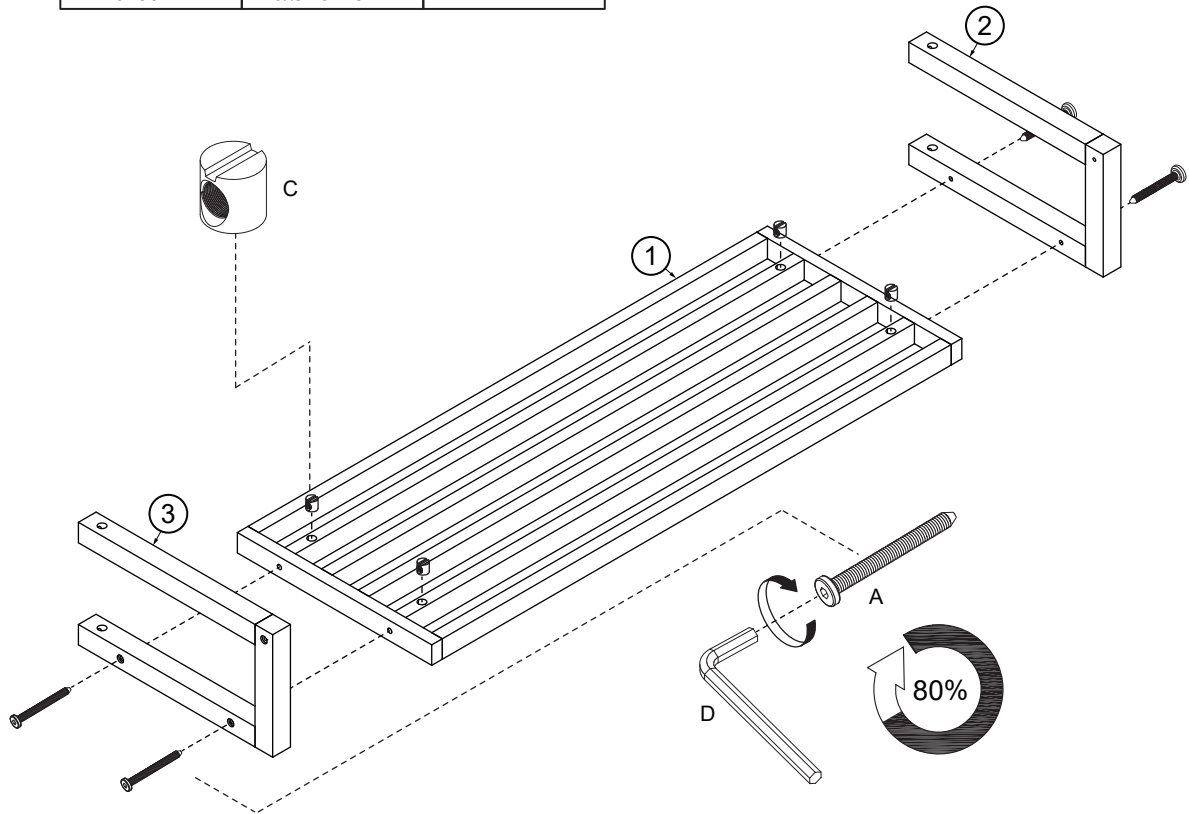
			✓
⑤	1	275x230x25	
⑥	1	275x230x25	
⑦	1	1700x50x25	
⑧	1	1700x50x25	



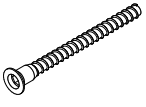

<p>A x 20</p>  <p>M6x60 mm</p>	<p>B x 8</p>  <p>Ø6x30 mm</p>	<p>C x 20</p>  <p>M6/Ø10x10 mm</p>	<p>D x 1</p>  <p>4 mm</p>	<p>E x 2</p>  <p>Ø7x50 mm</p>
<p>F x 2</p>  <p>40x20x3 mm</p>				

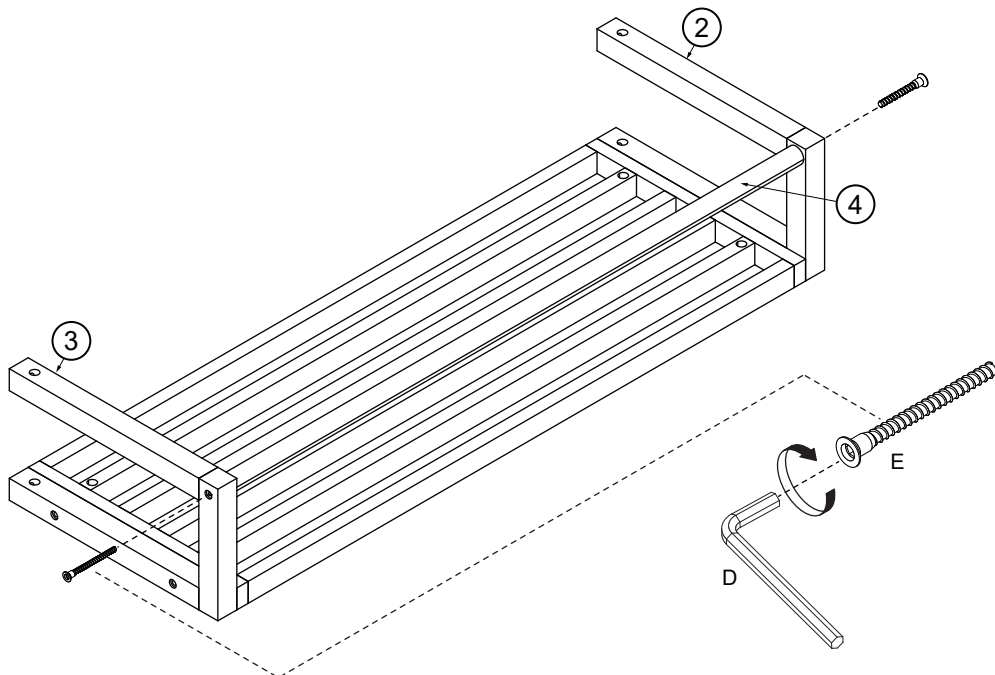
# 1

A x 4  M6x60 mm	C x 4  M6/Ø10x10 mm	D x 1  4 mm
--	--	--

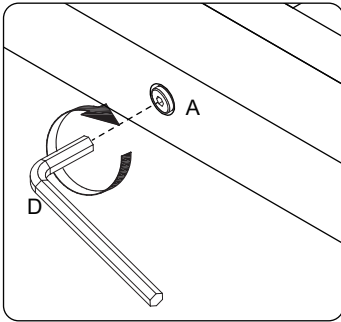
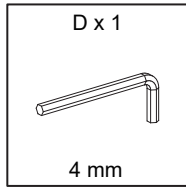


# 2

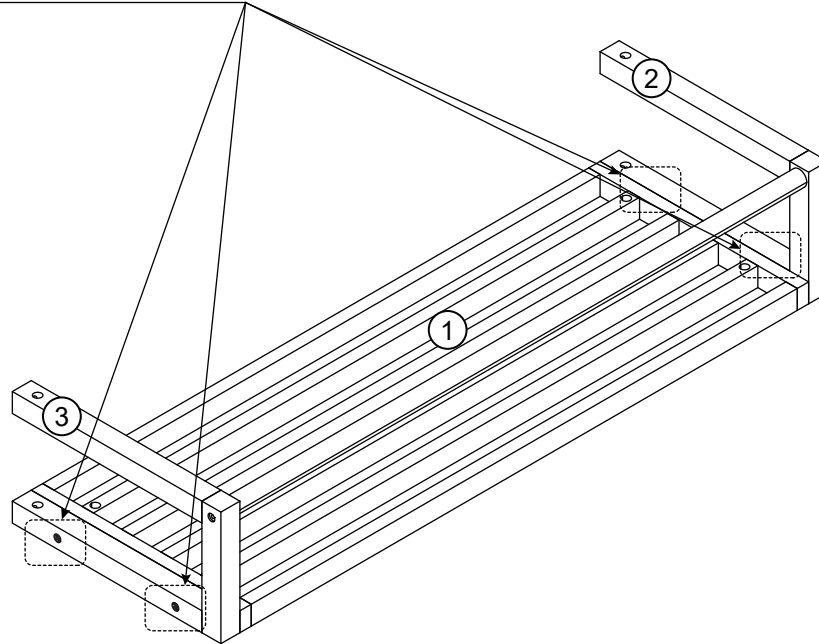
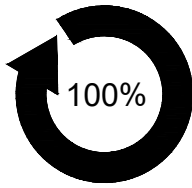
E x 2  Ø7x50 mm	D x 1  4 mm
--	--



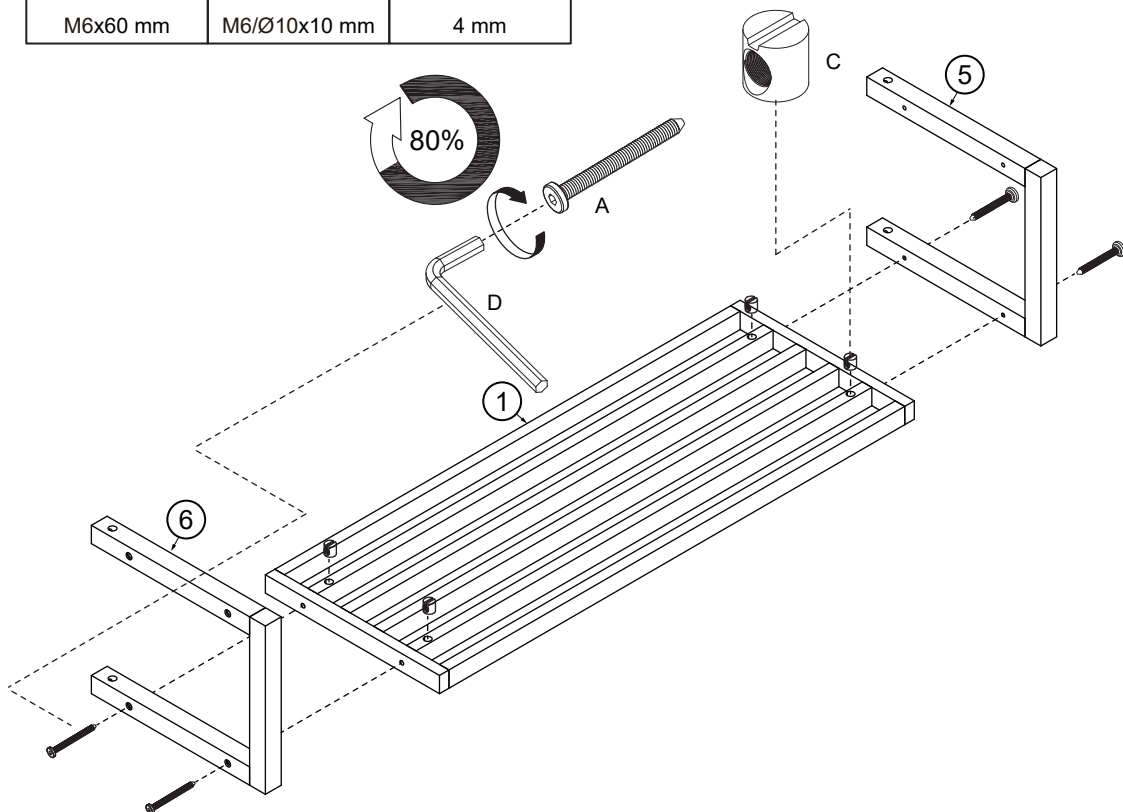
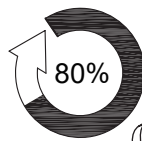
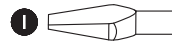
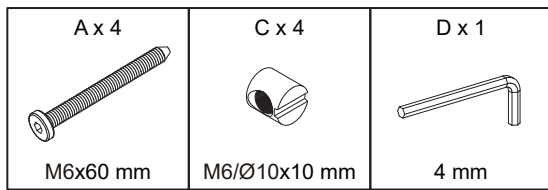
# 3



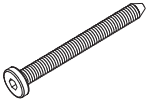


A x 4

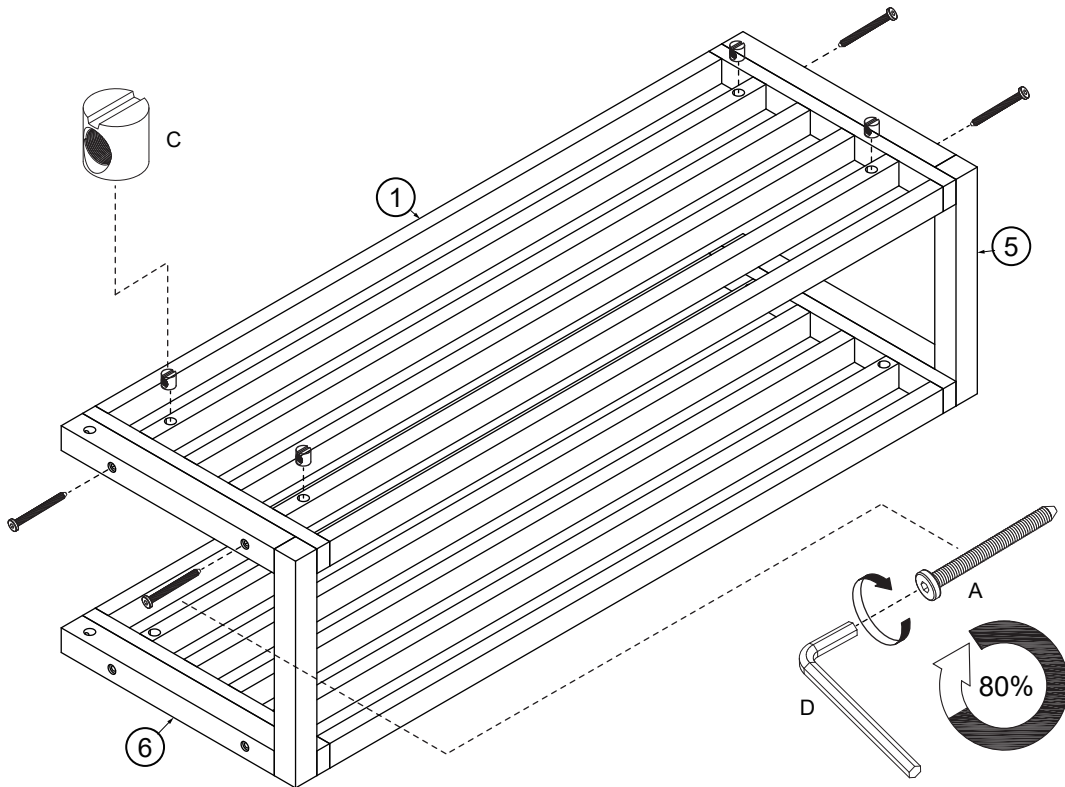
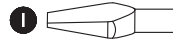


# 4




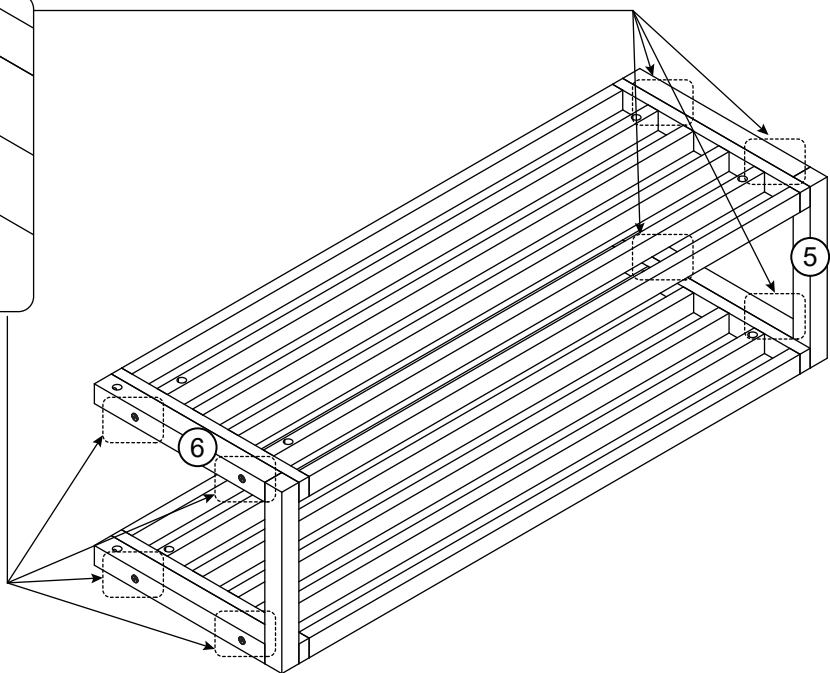
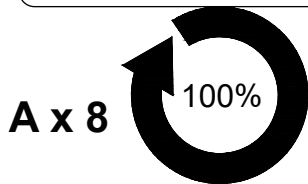
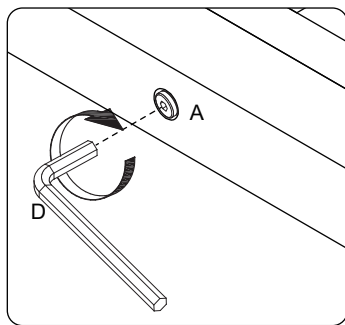
# 5

A x 4  M6x60 mm	C x 4  M6/Ø10x10 mm	D x 1  4 mm
--	--	--

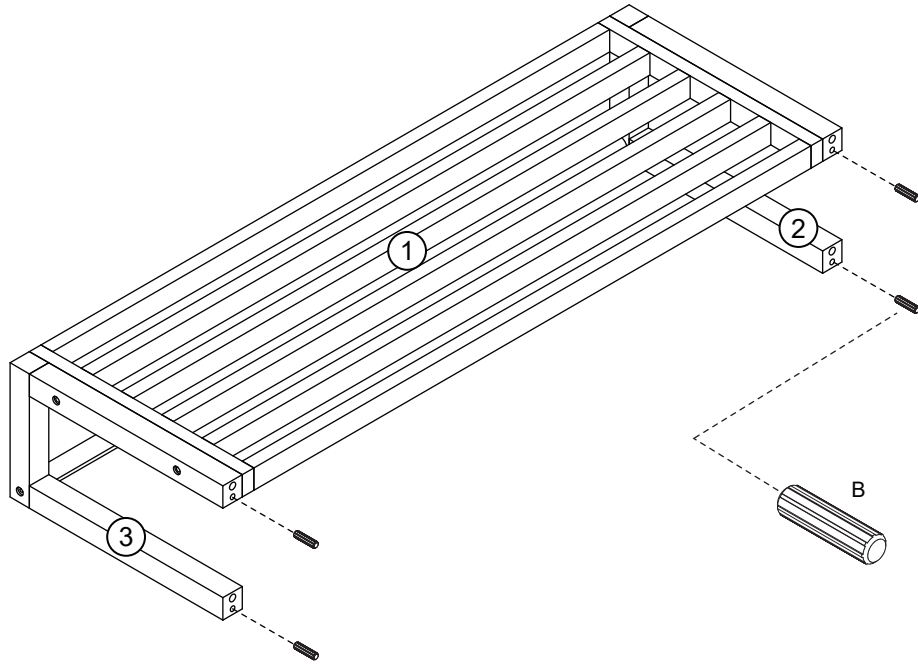
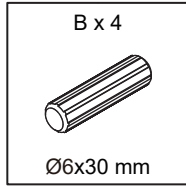


# 6

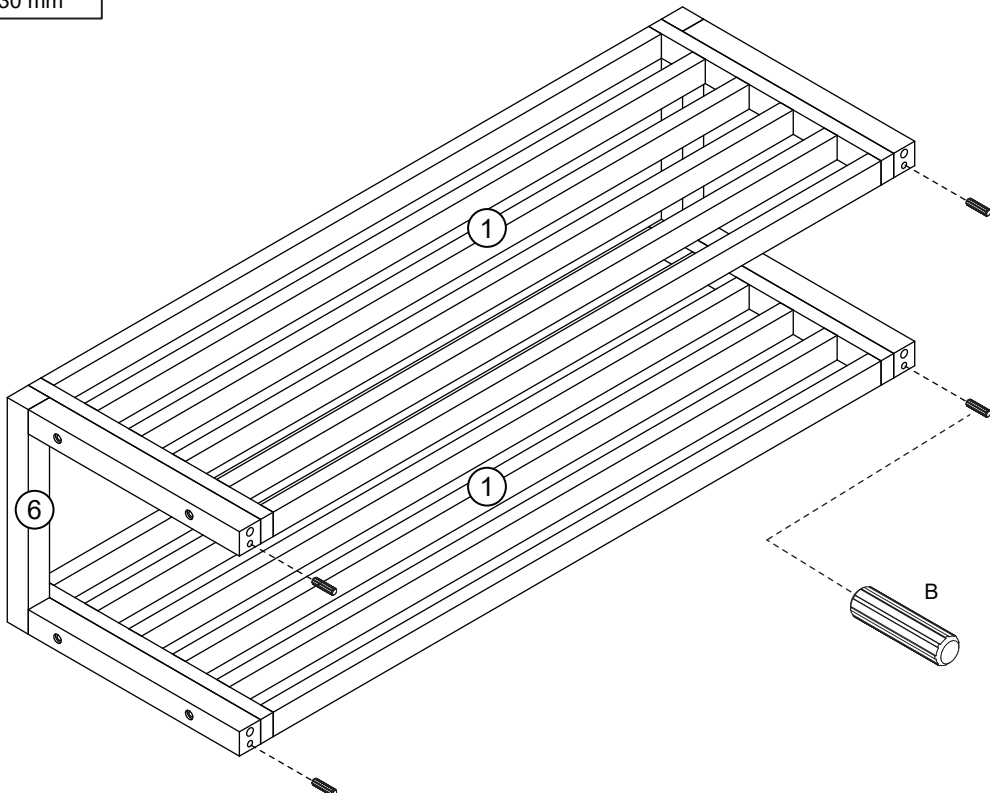
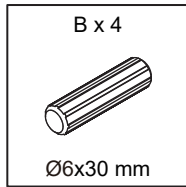
D x 1  4 mm
--



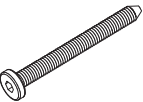


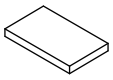
# 5

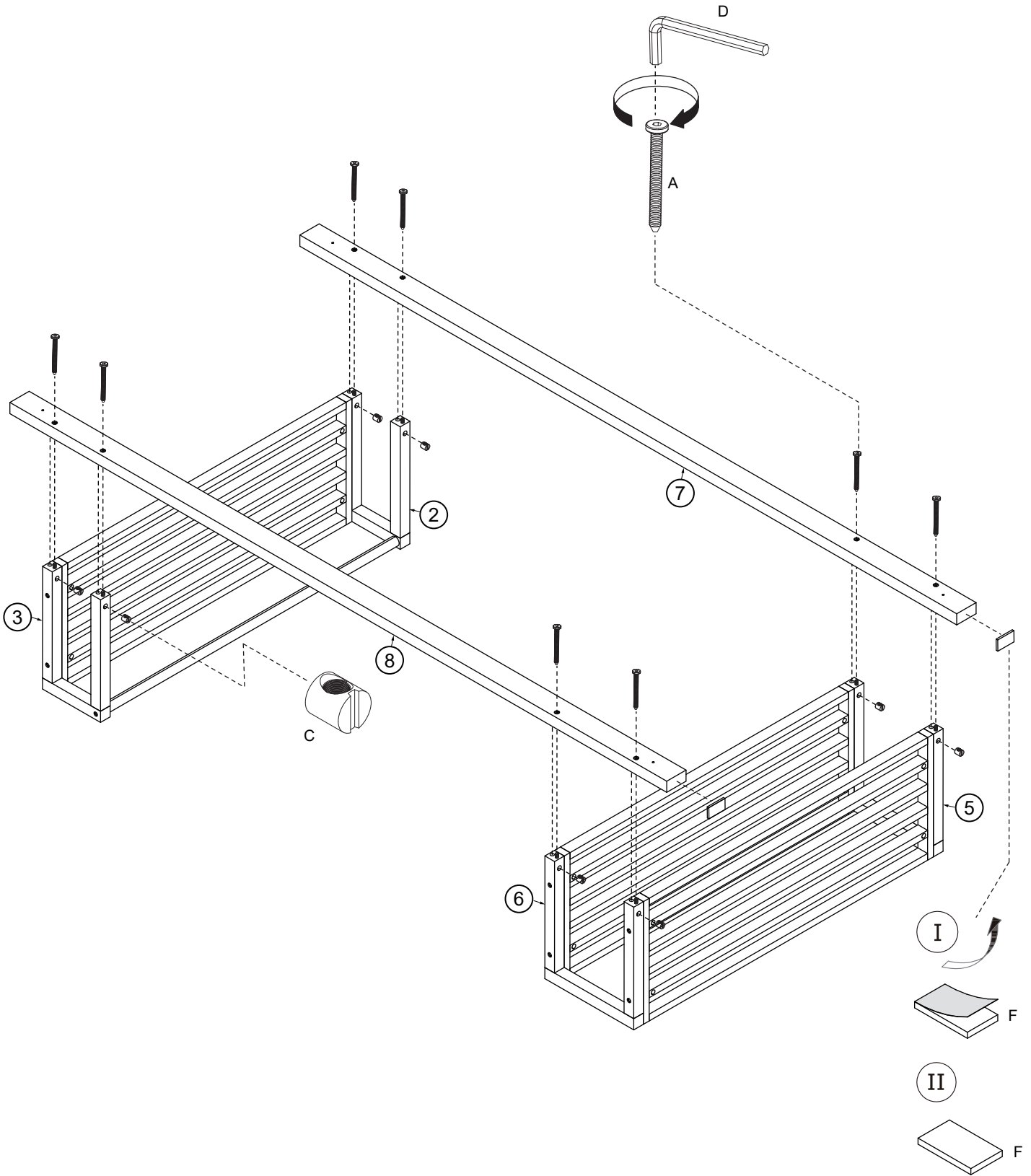


# 6



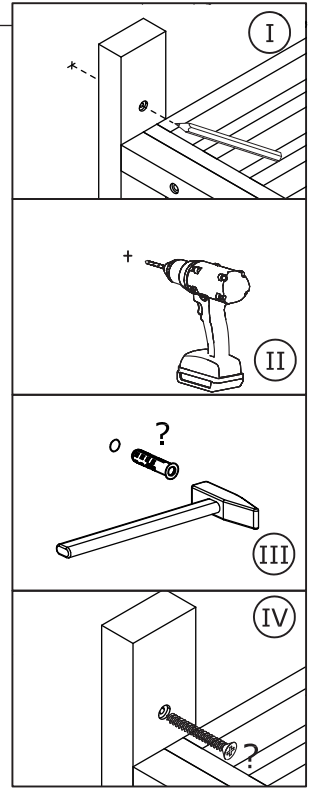
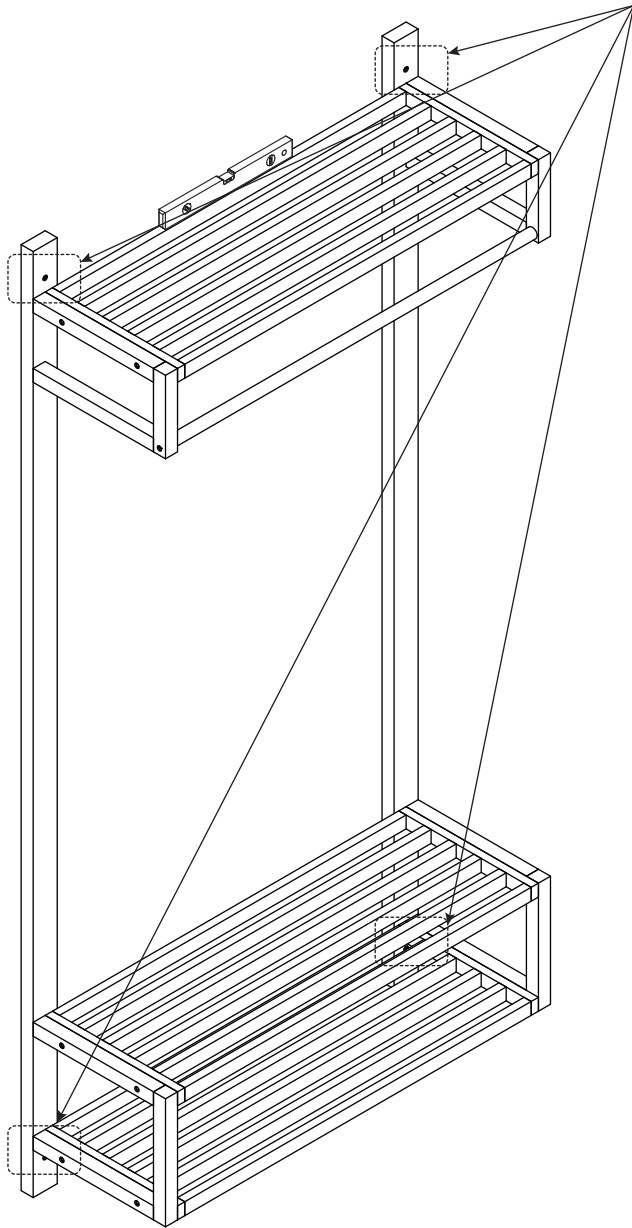
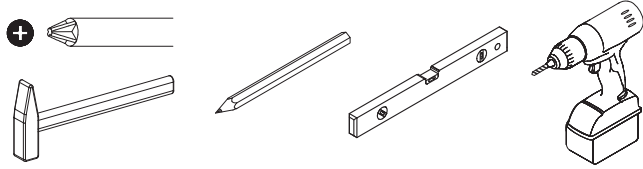
# 7

<b>A x 8</b>  M6x60 mm	<b>C x 8</b>  M6/Ø10x10 mm	<b>D x 1</b>  4 mm	<b>F x 2</b>  40x20x3 mm
---	---	---	---





8



9

