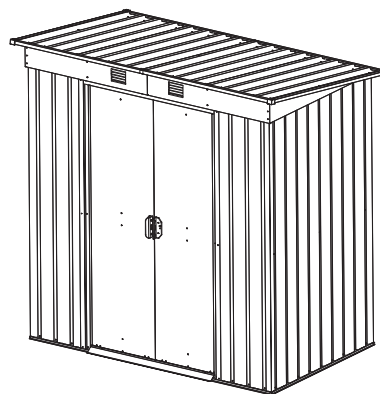
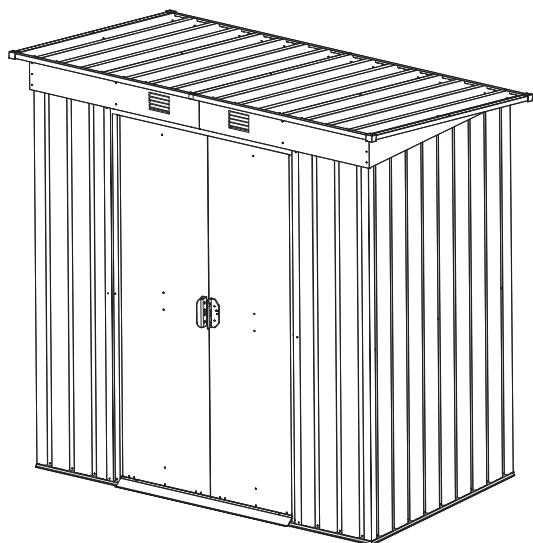
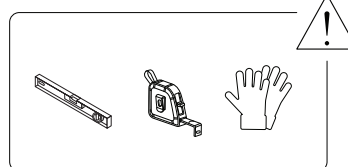
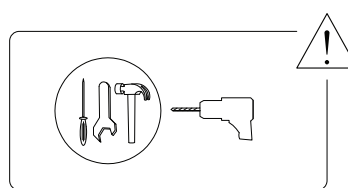


ACILIA

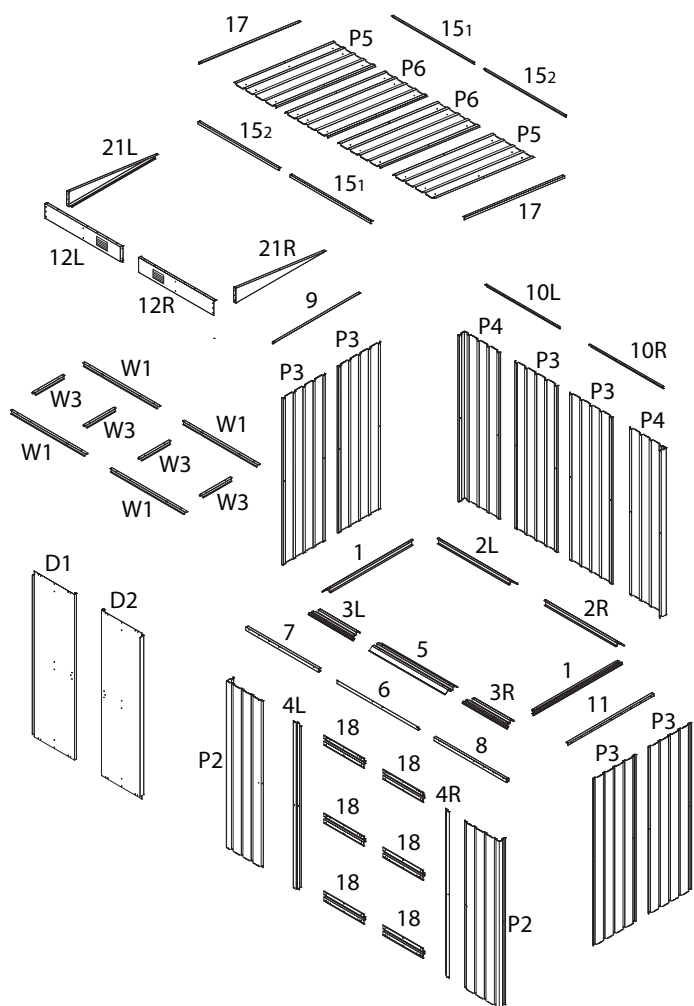


1/25



2/25

813/ACILIA/2502/26



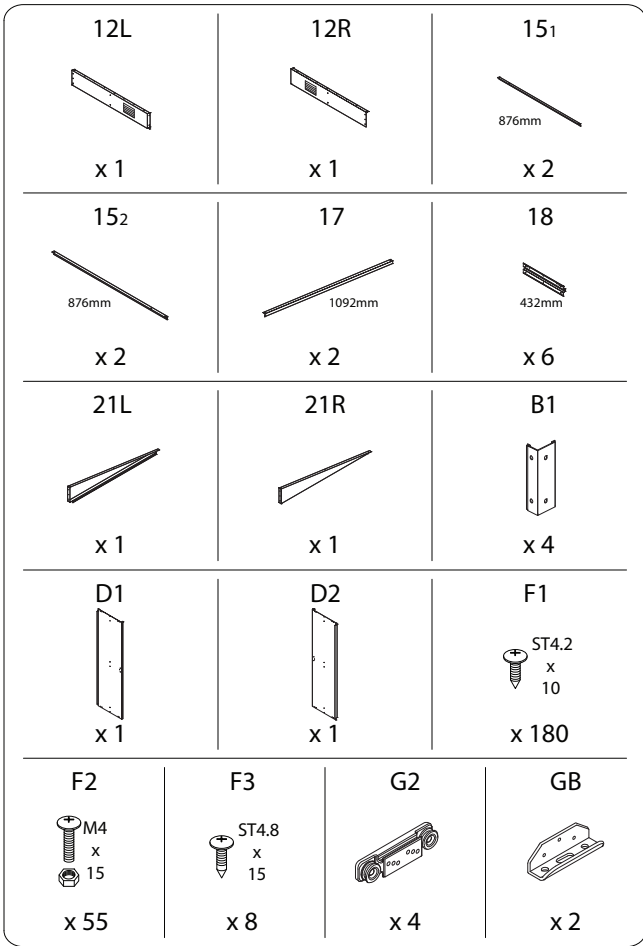
3/25

1 966mm x 2	2L 848mm x 1	2R 848mm x 1
3L 486mm x 1	3R 486mm x 1	4L 1560mm x 1
4R 1560mm x 1	5 822mm x 1	6 876mm x 1
7 784mm x 1	8 784mm x 1	9 932mm x 1
10L 794mm x 1	10R 794mm x 1	11 932mm x 1

4/25

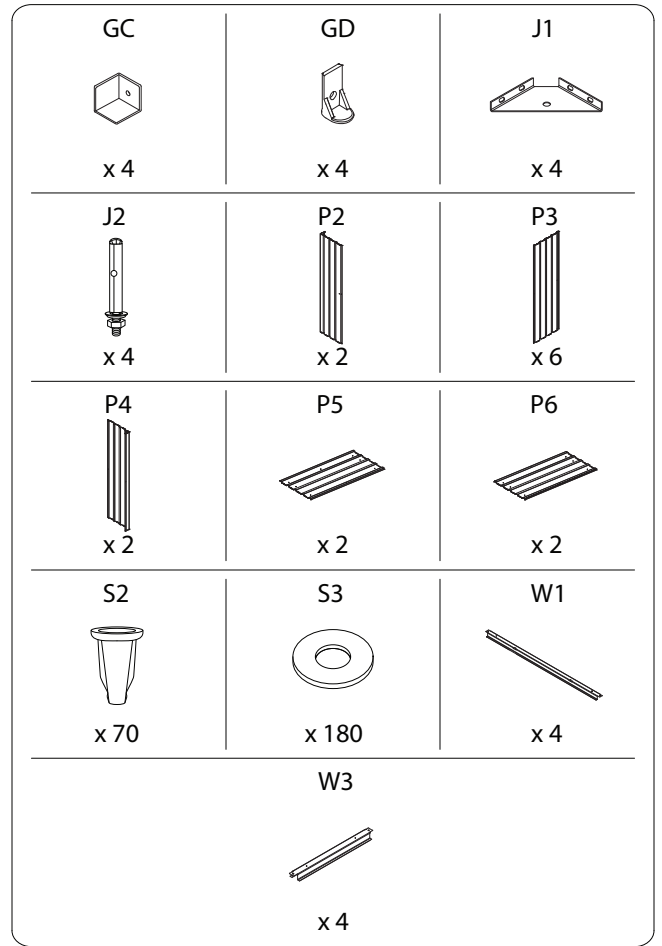
813/ACILIA/2502/26

813/ACILIA/2502/26



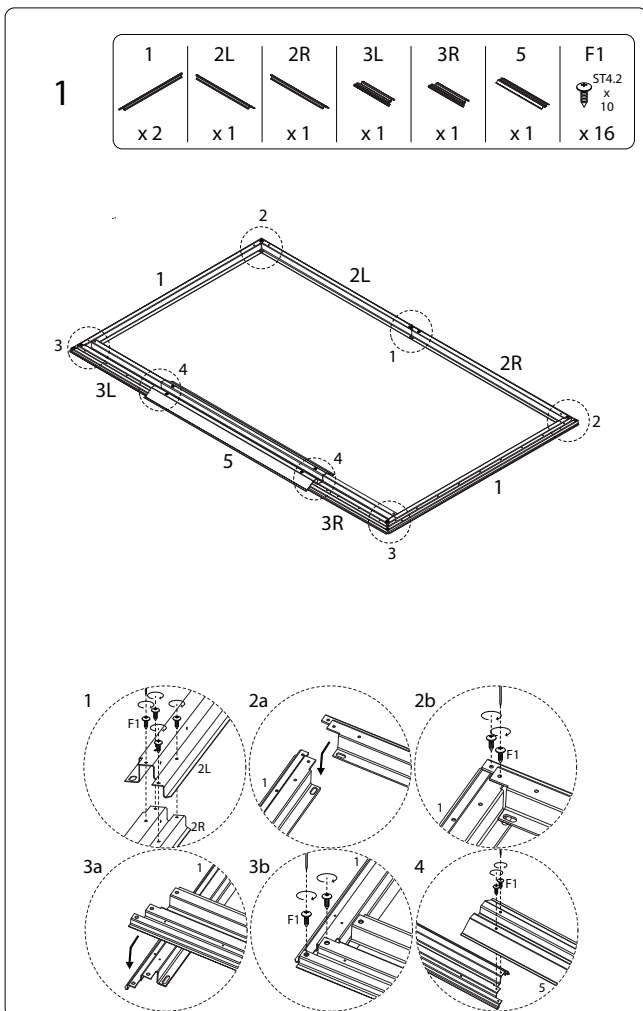
5/25

813/ACLIJA/250226/



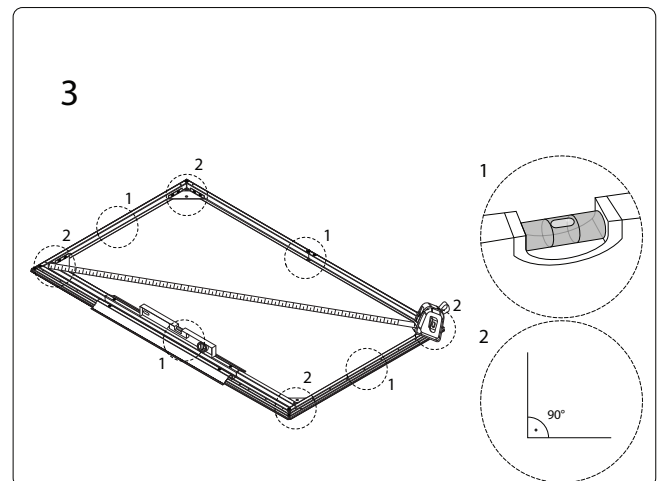
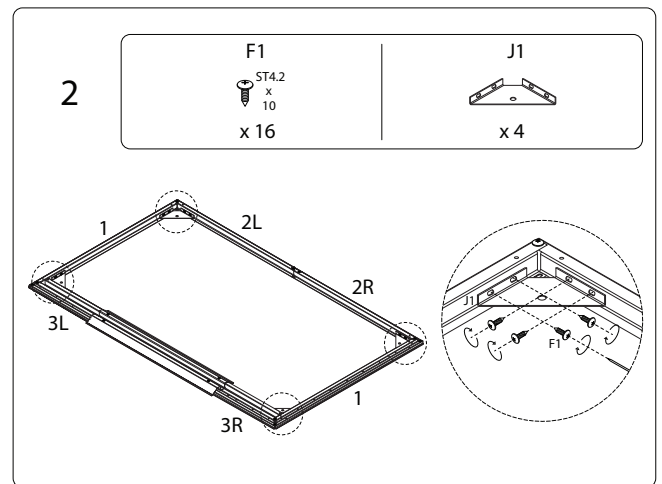
6/25

813/ACLIJA/250226/



7/25

813/ACLIJA/250226/

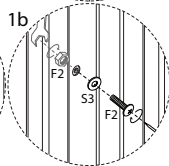
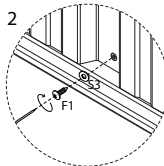
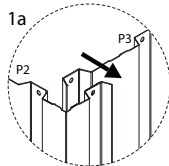
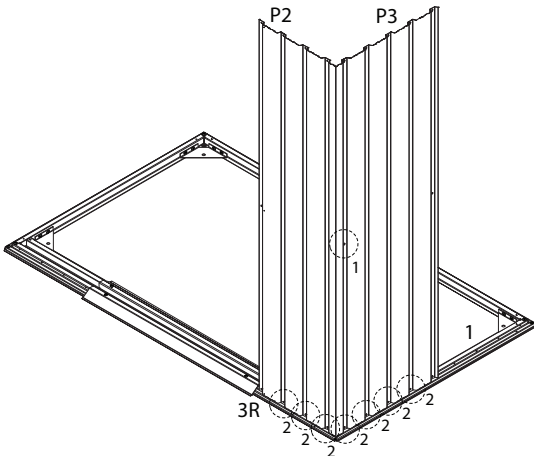


8/25

813/ACLIJA/250226/

4

F1 ST4.2 x 10 x 7	F2 M4 x 1.5 x 1	P2 x 1	P3 x 1	S3 x 8
----------------------------	--------------------------	-----------	-----------	-----------

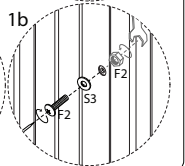
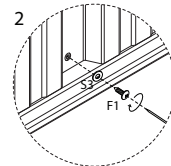
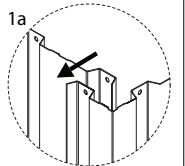
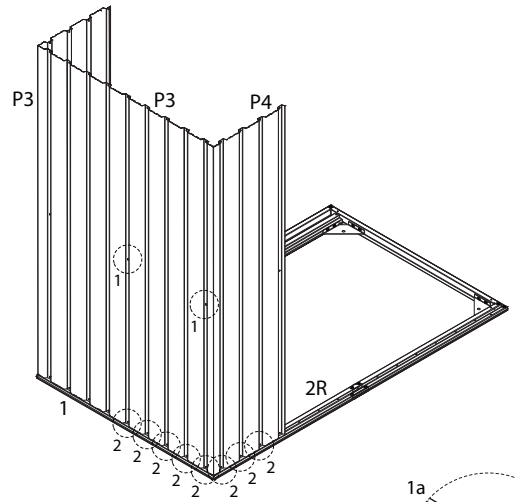


9/25

813/ACLIJA/250226/

5

F1 ST4.2 x 10 x 8	F2 M4 x 1.5 x 2	P3 x 1	P4 x 1	S3 x 10
----------------------------	--------------------------	-----------	-----------	------------

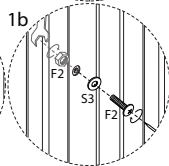
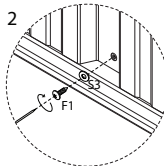
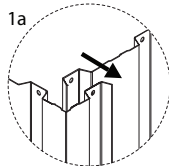
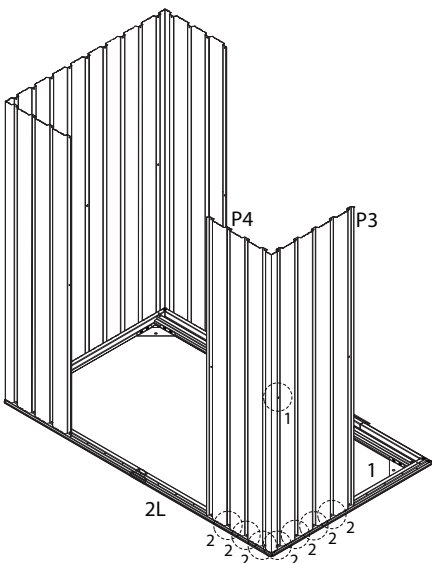


10/25

813/ACLIJA/250226/

6

F1 ST4.2 x 10 x 7	F2 M4 x 1.5 x 1	P3 x 1	P4 x 1	S3 x 8
----------------------------	--------------------------	-----------	-----------	-----------

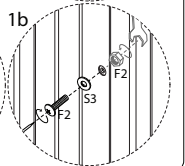
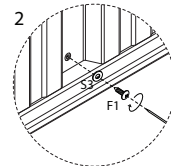
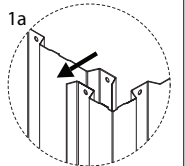
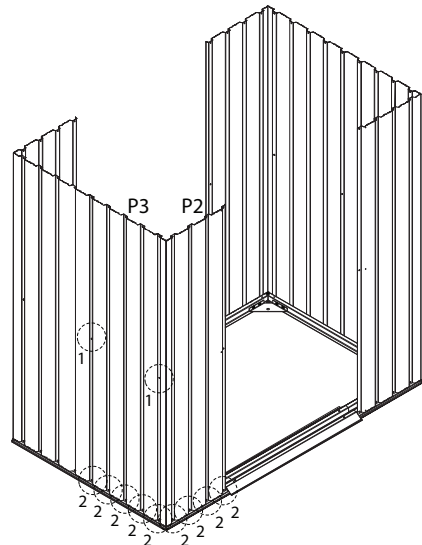


11/25

813/ACLIJA/250226/

7

F1 ST4.2 x 10 x 8	F2 M4 x 1.5 x 2	P2 x 1	P3 x 1	S3 x 10
----------------------------	--------------------------	-----------	-----------	------------

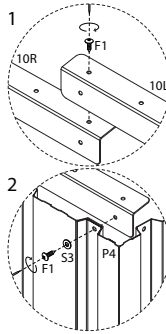
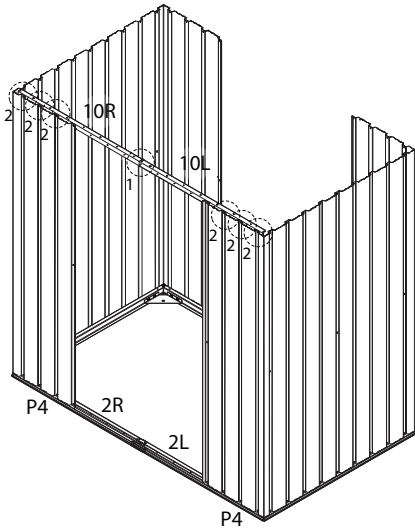


12/25

813/ACLIJA/250226/

8

10L x 1	10R x 1	F1 ST4.2 x 10 x 7	S3 x 6
------------	------------	----------------------------	-----------

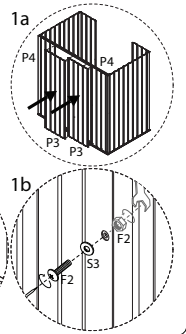
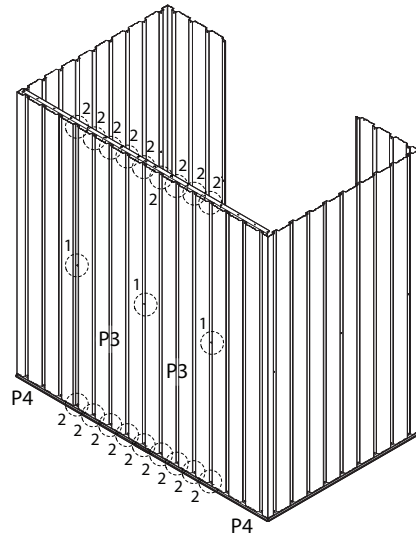


13/25

813/ACLIJA/250226/

9

F1 ST4.2 x 10 x 18	F2 M4 x 15 x 3	P3 x 2	S3 x 21
-----------------------------	-------------------------	-----------	------------

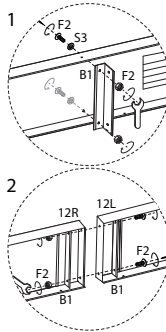
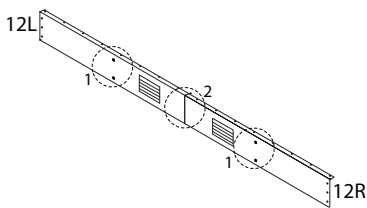


14/25

813/ACLIJA/250226/

10

12L x 1	12R x 1	B1 x 4	F2 M4 x 15 x 6	S3 x 4
------------	------------	-----------	-------------------------	-----------

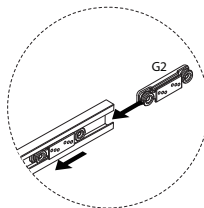
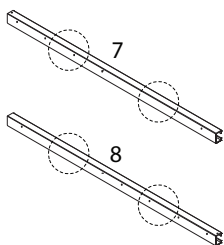


15/25

813/ACLIJA/250226/

11

7 x 1	8 x 1	G2 x 4
----------	----------	-----------

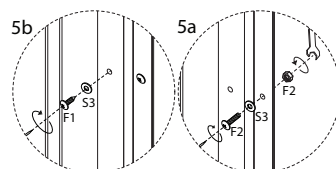
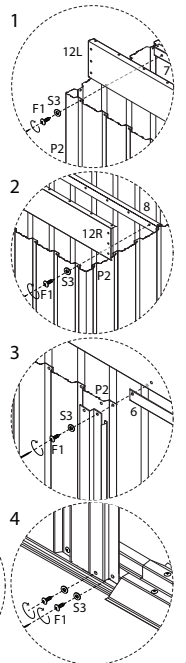
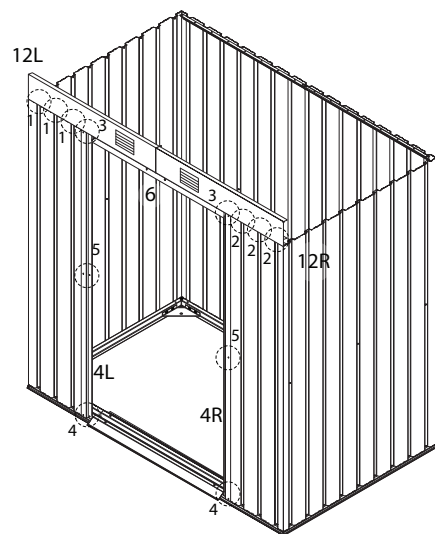


15/25

813/ACLIJA/250226/

12

4L x 1	4R x 1	6 x 1	F1 ST4.2 x 10 x 14	F2 M4 x 15 x 2	S3 x 16
-----------	-----------	----------	-----------------------------	-------------------------	------------

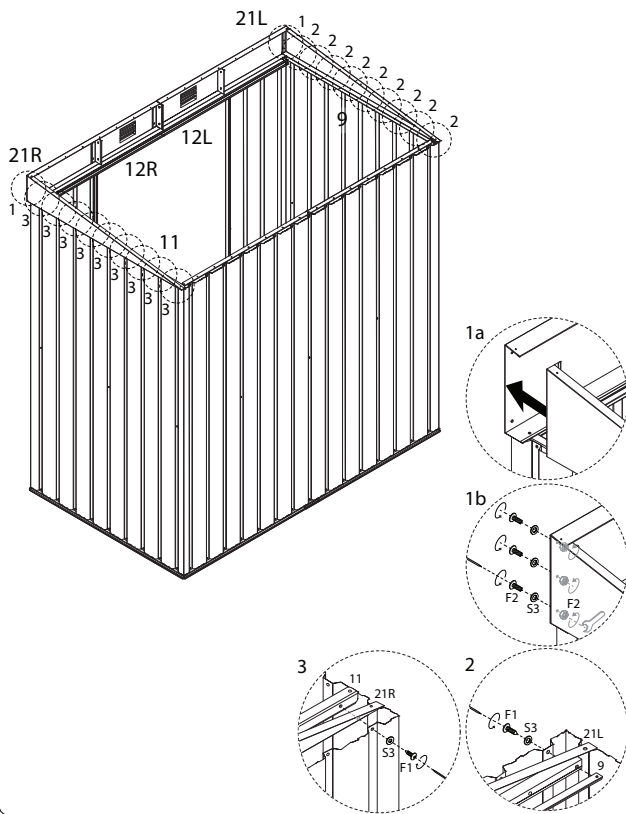


16/25

813/ACLIJA/250226/

13

9 x1	11 x1	21L x1	21R x1	F1 ST4.2 x 10 x 18	F2 M4 x 15 x 6	S3 x 24
---------	----------	-----------	-----------	-----------------------------	-------------------------	------------

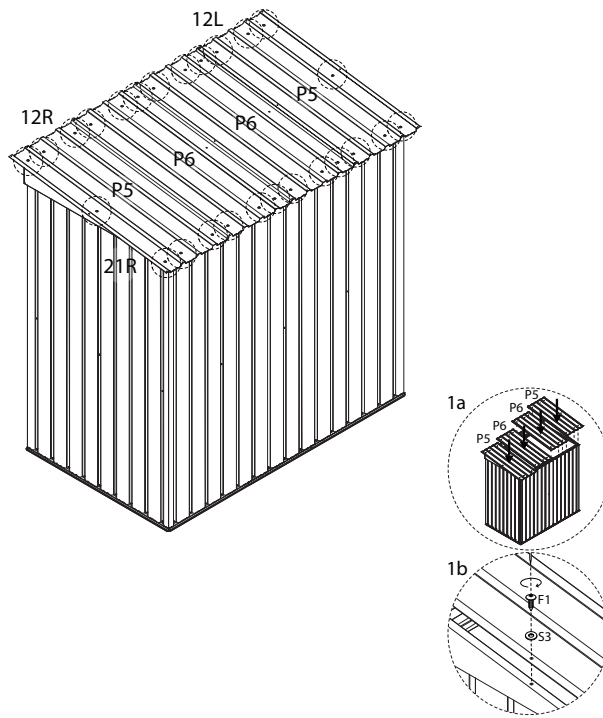


17/25

813/ACLIJA/250226/

14

P5 x 2	P6 x 2	F1 ST4.2 x 10 x 26	S3 x 26
-----------	-----------	-----------------------------	------------

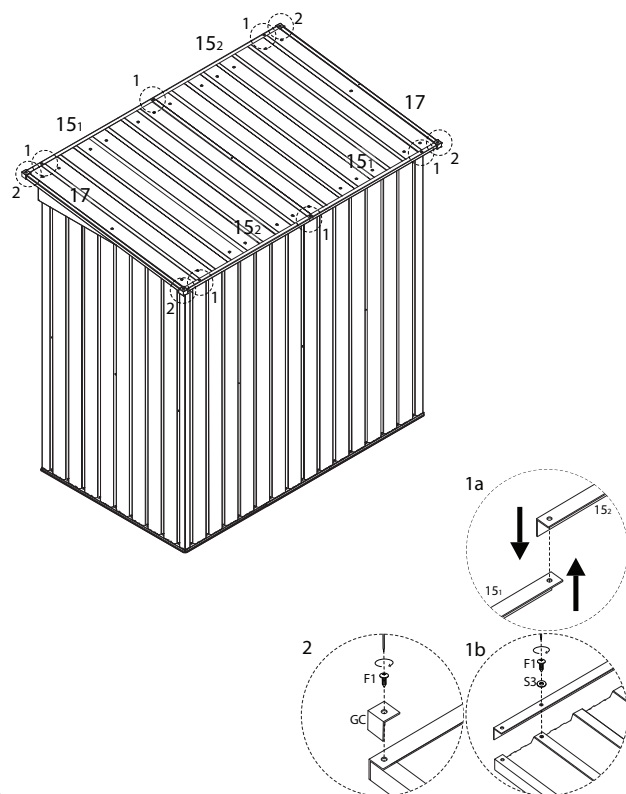


18/25

813/ACLIJA/250226/

15

15 ₁ x 2	15 ₂ x 2	17 x 2	F1 ST4.2 x 10 x 10	GC x 4	S3 x 6
------------------------	------------------------	-----------	-----------------------------	-----------	-----------

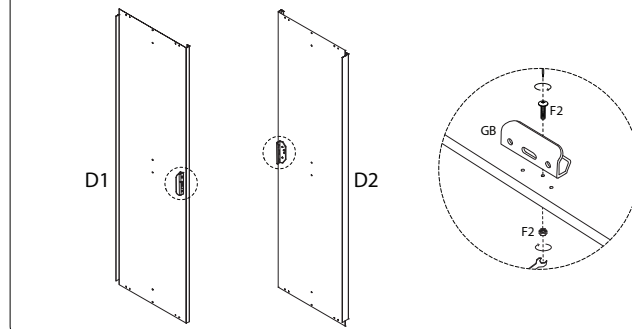


19/25

813/ACLIJA/250226/

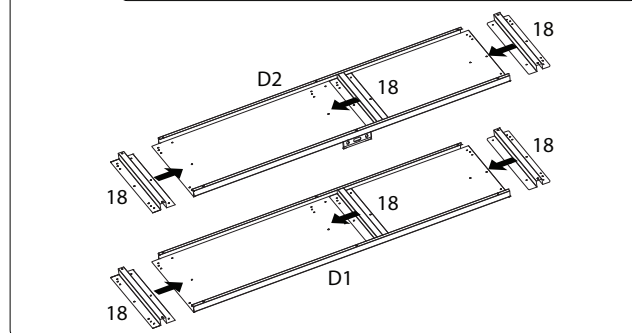
16

D1 x 1	D2 x 1	F2 M4 x 15 x 2	GB x 2
-----------	-----------	-------------------------	-----------



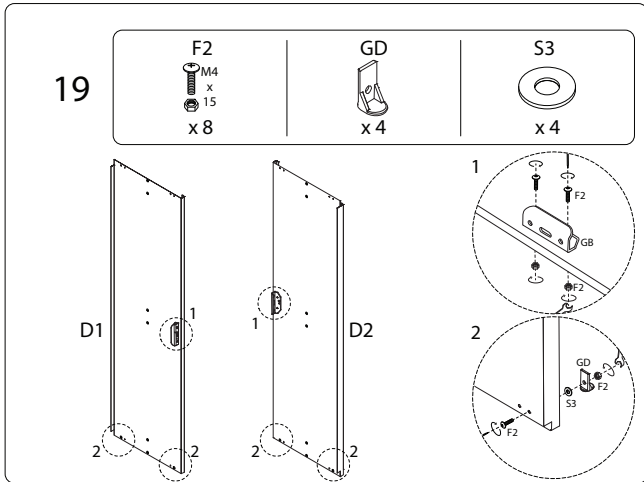
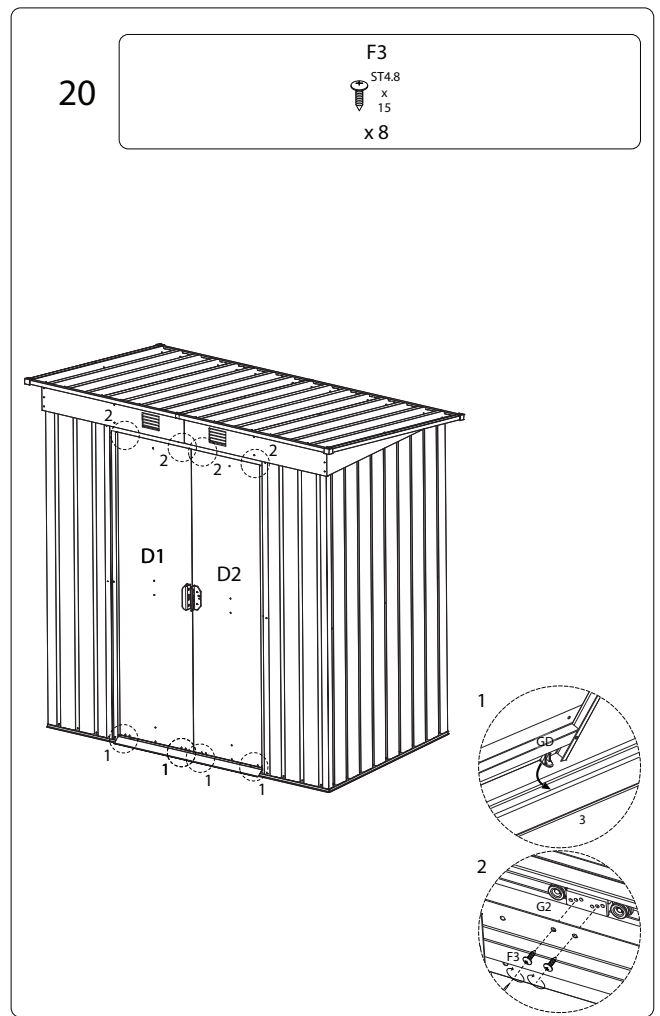
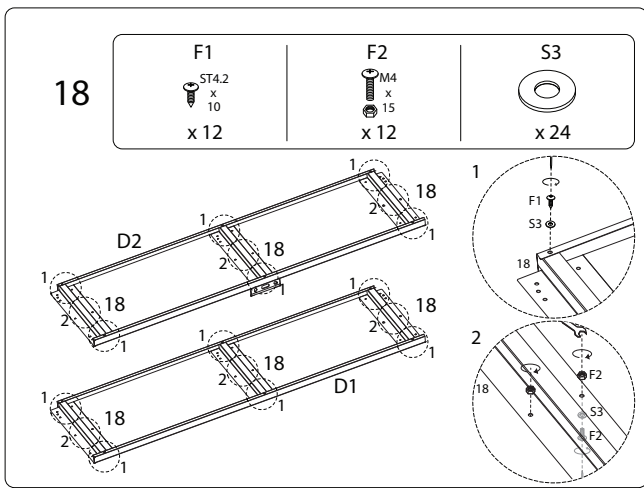
17

18 x 6



20/25

813/ACLIJA/250226/

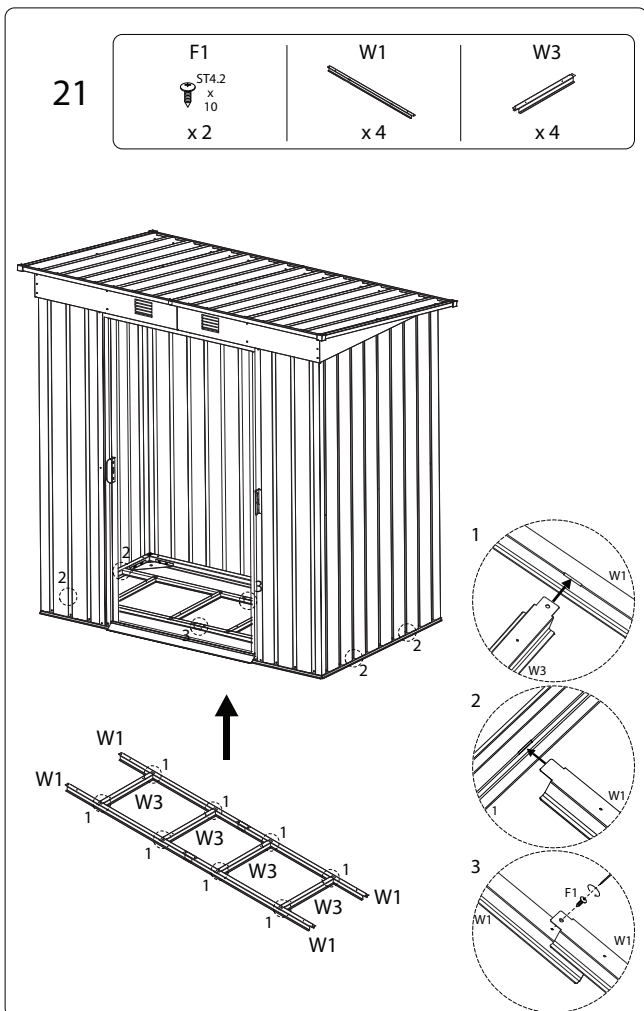


21/25

813/ACLIJA/2502/67

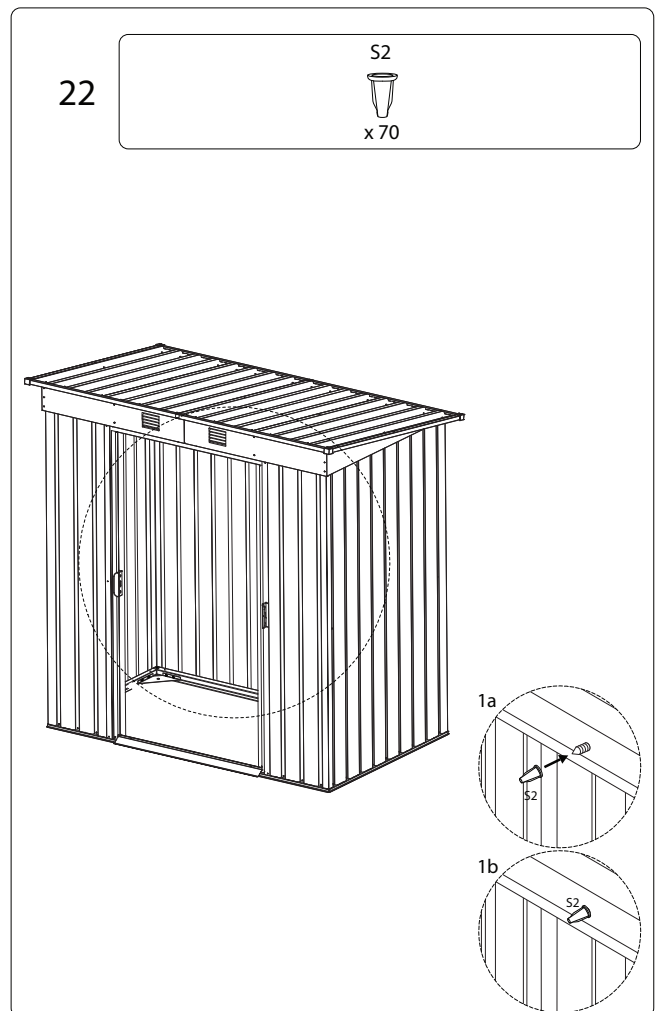
22/25

813/ACLIJA/2502/67



23/25

813/ACLIJA/2502/67

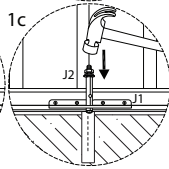
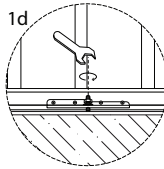
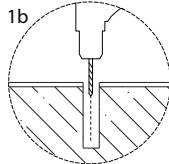
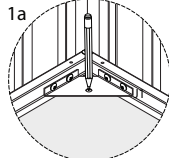
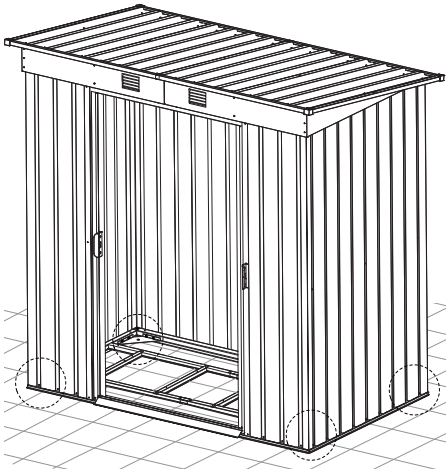


24/25

813/ACLIJA/2502/67

23

J2
x 4



25/25