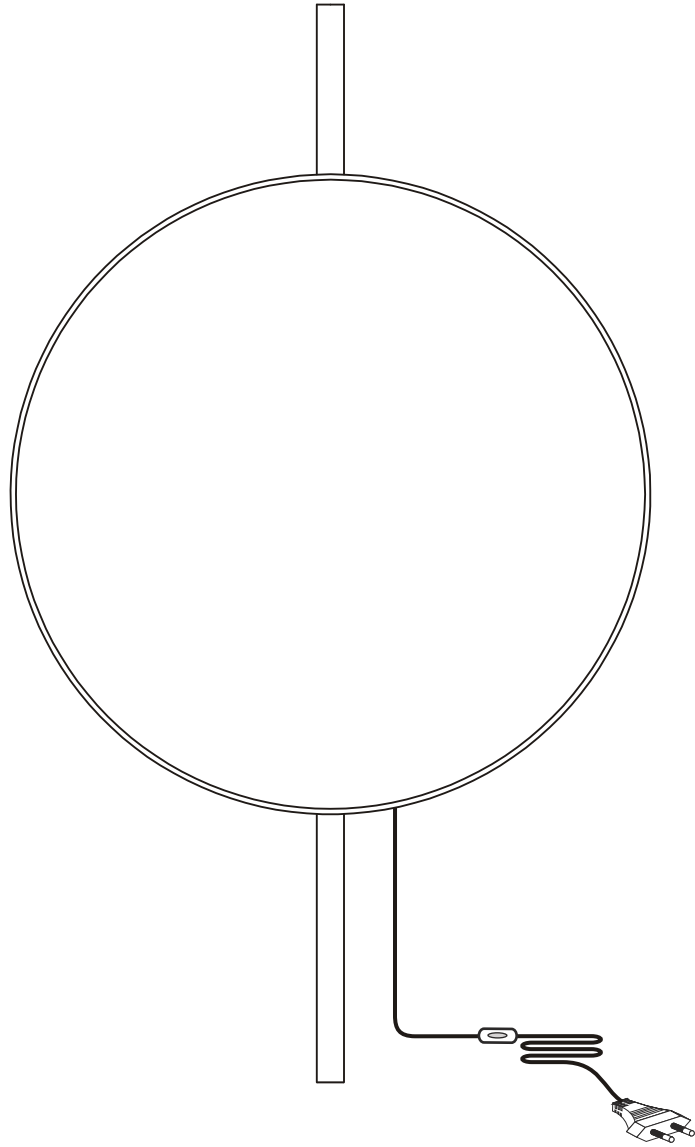
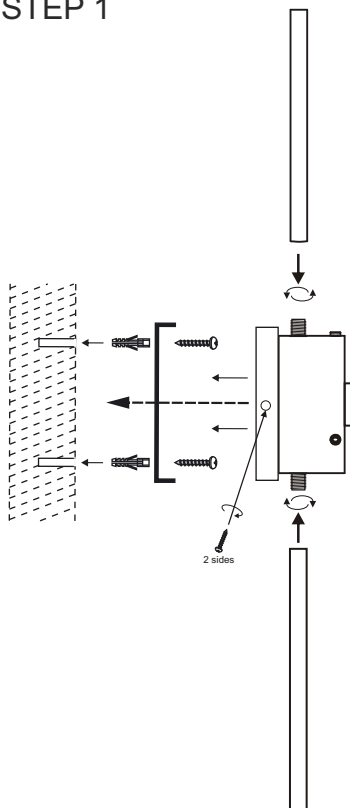


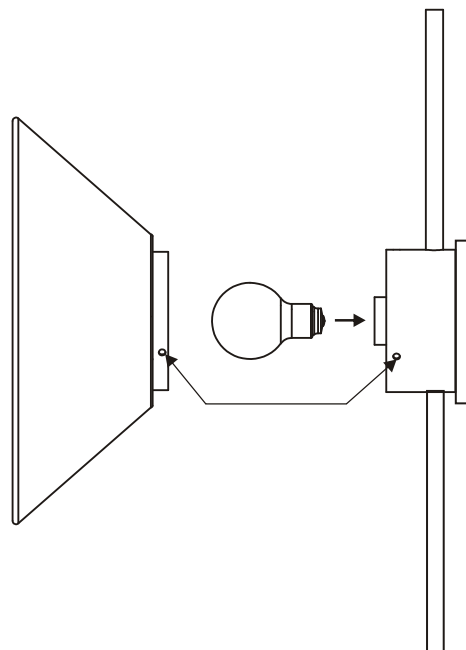
ASSEMBLY INSTRUCTIONS



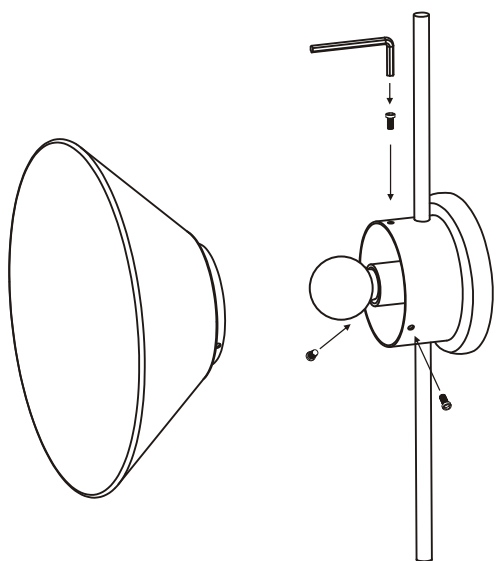
STEP 1



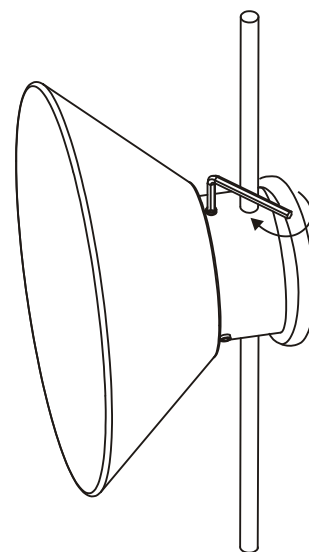
STEP 2



STEP 3



STEP 4



1 Secure the Light Bulbs (H) E27 into the bulb holder (I).

2 The lamp is ready to use.

Note : Bulb is not included with this item.

Suggestions :

- To prevent the risk of fire, do not use light bulbs with wattage greater than 25W.
- If the external flexible cable or cord of this lamp needs to be changed, it should only be replaced by a qualified electrician.