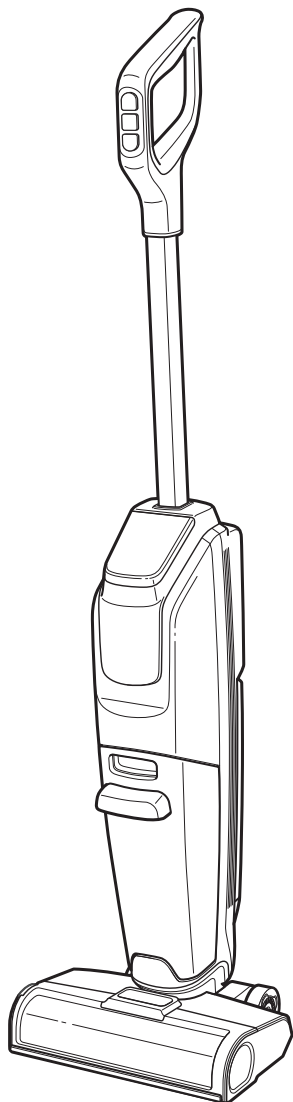




Bissell®

CROSSWAVE® OMNIFORCE

3912, 3913 SERIES





.....3



.....4



.....5



.....6



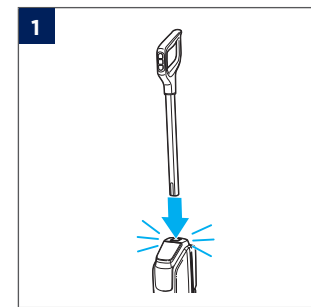
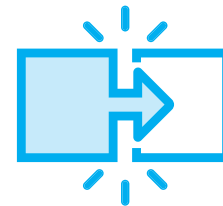
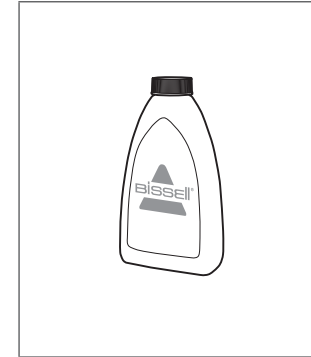
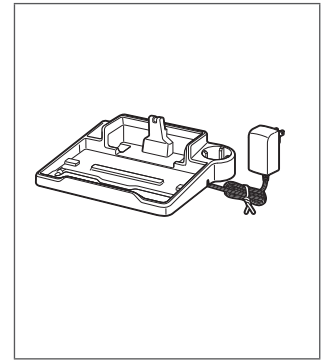
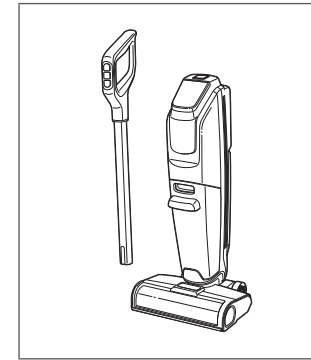
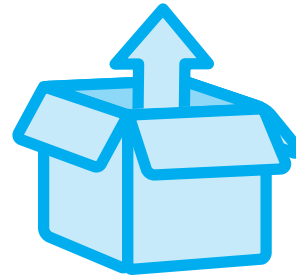
.....8

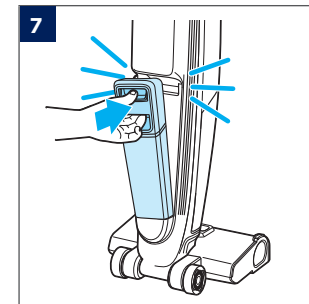
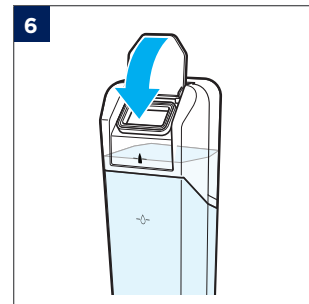
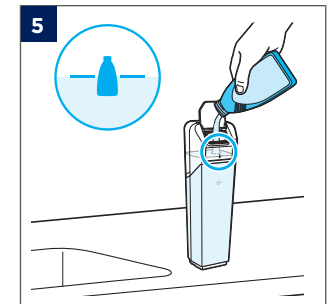
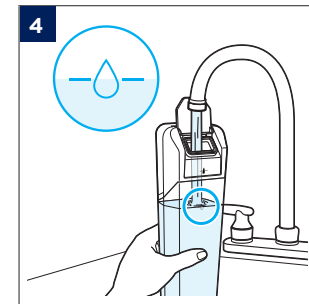
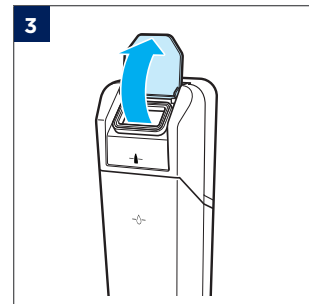
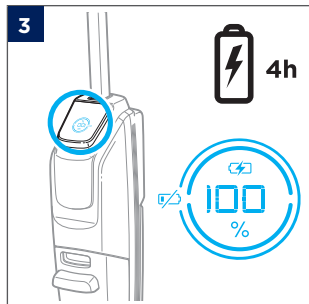
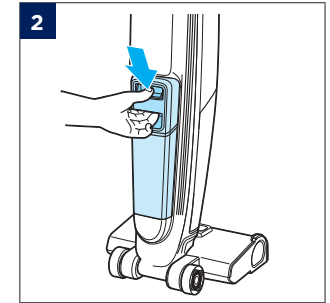
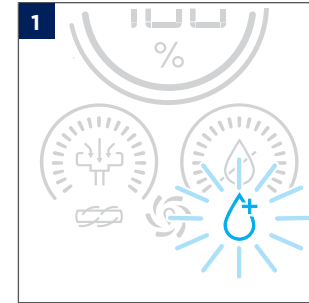
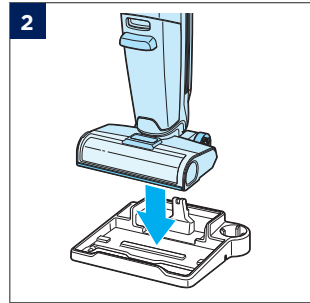
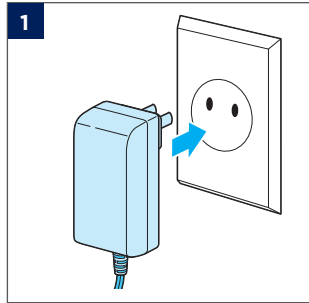


.....9

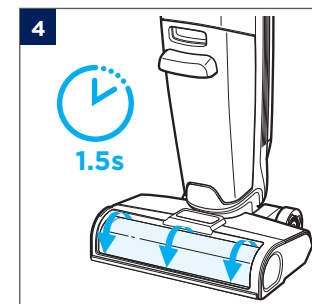
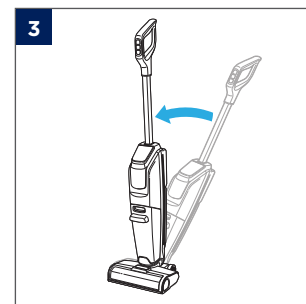
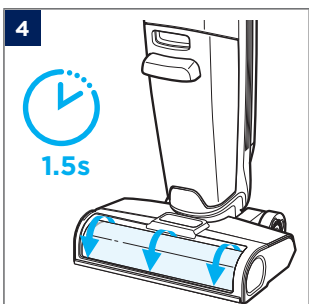
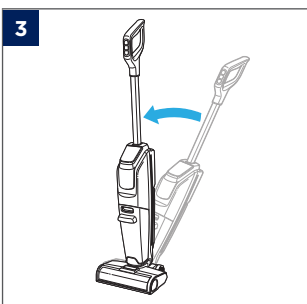
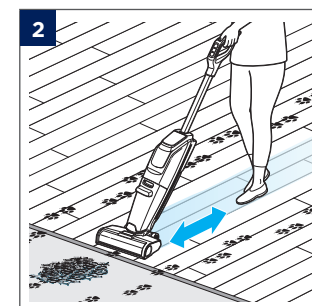
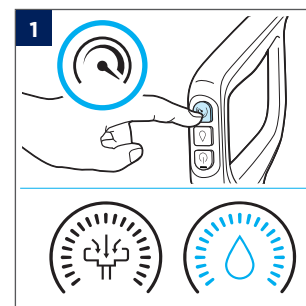
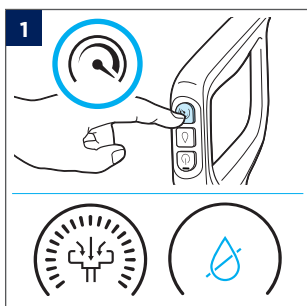
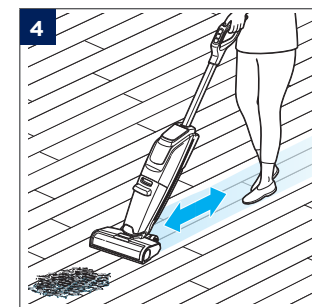
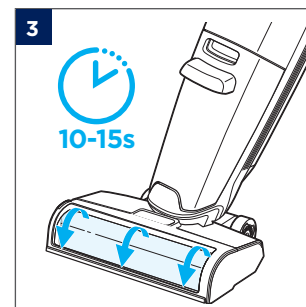
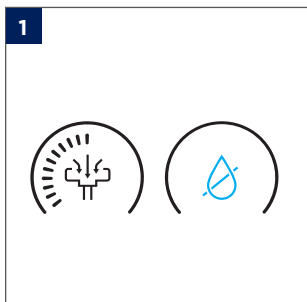
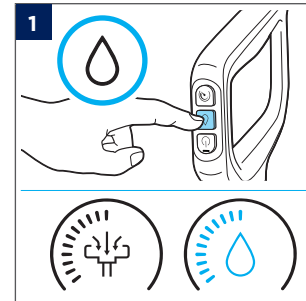
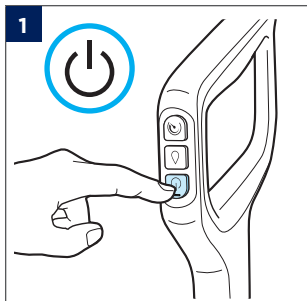


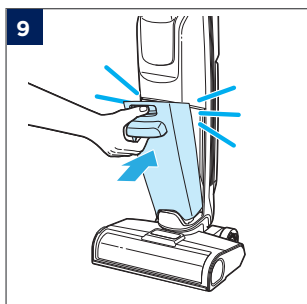
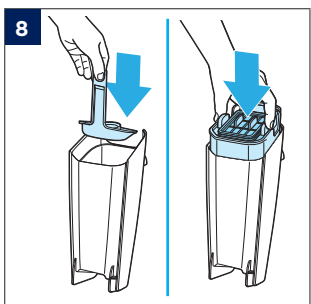
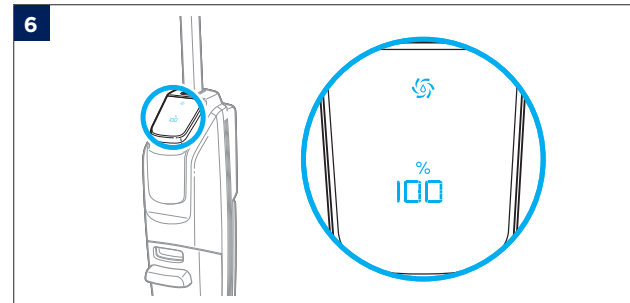
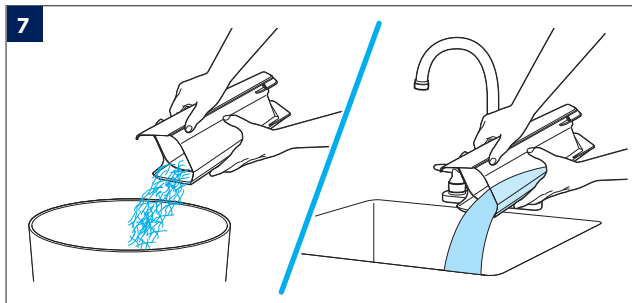
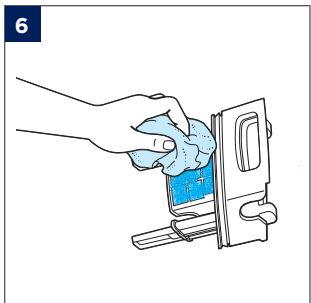
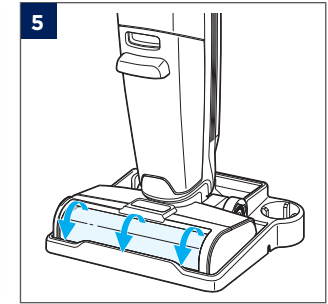
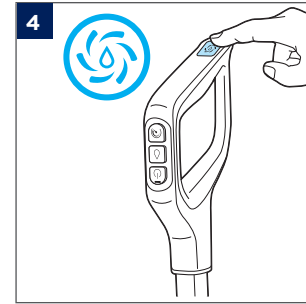
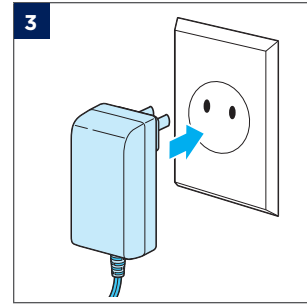
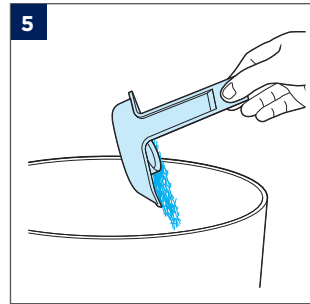
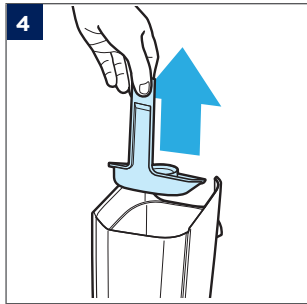
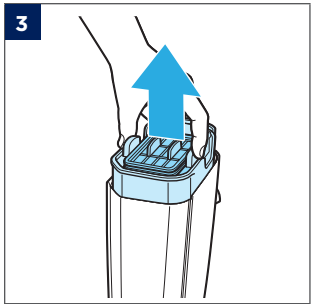
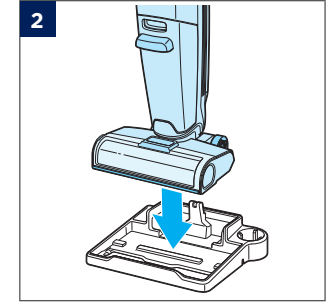
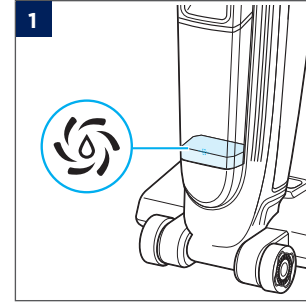
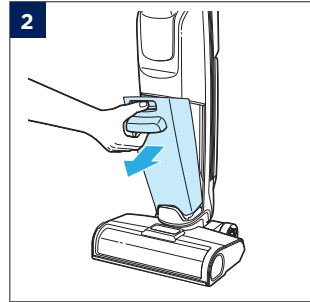
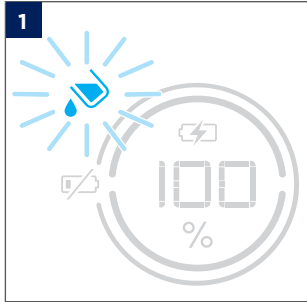
.....10

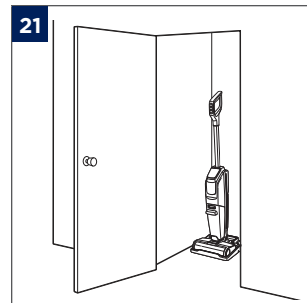
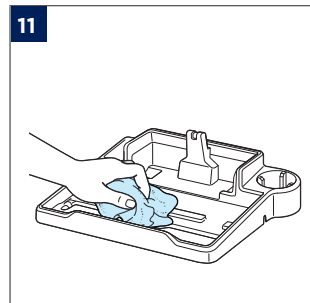
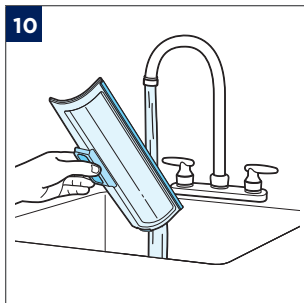
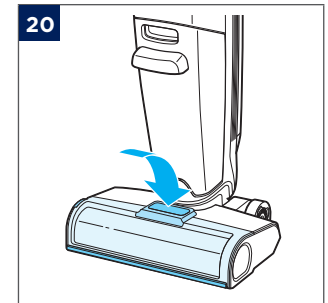
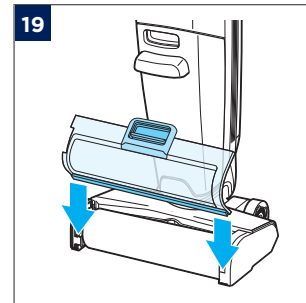
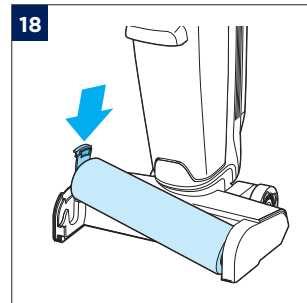
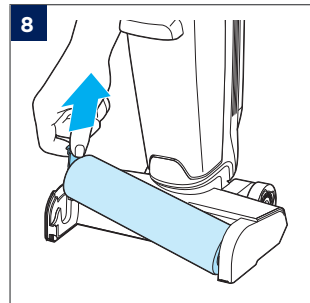
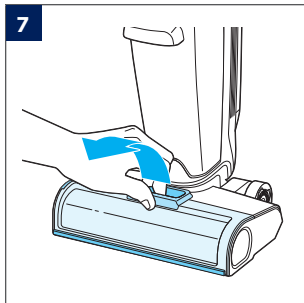
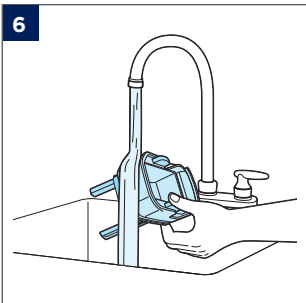
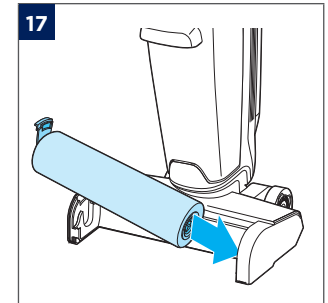
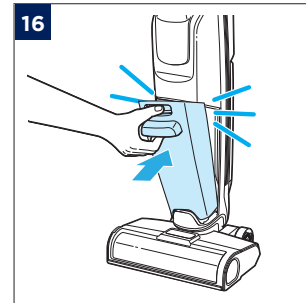
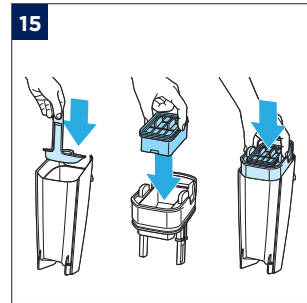
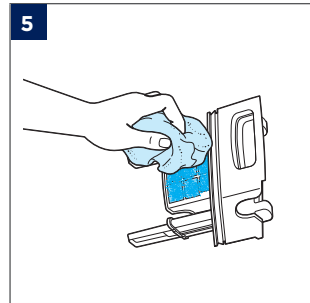
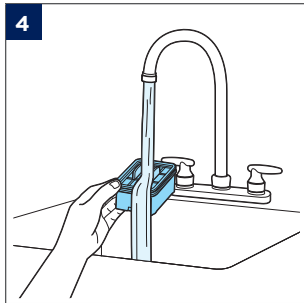
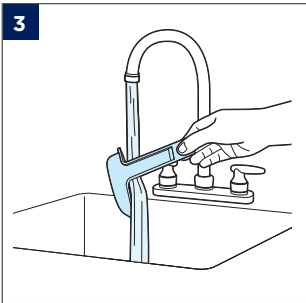
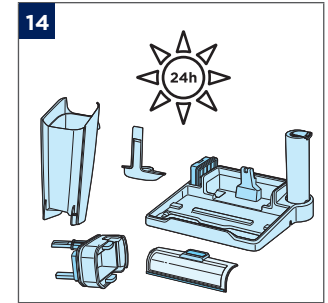
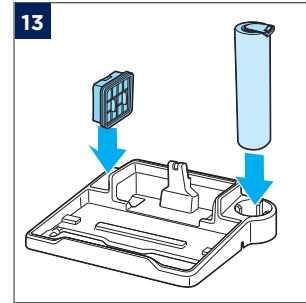
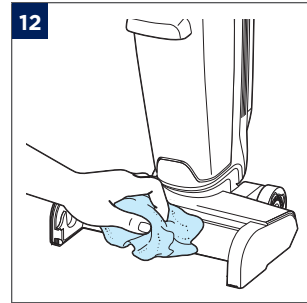
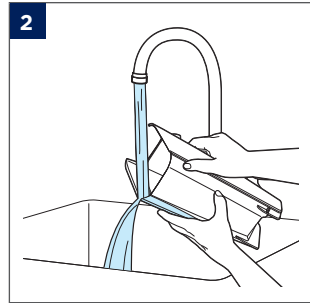
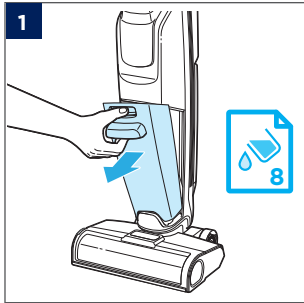




Natural Multi-Surface Cleaning Solution (3096, 3096i), Natural Multi-Surface Pet Cleaning Solution (3122, 3122i), Multi-Surface Cleaning Solution (1789L), Multi-Surface Pet Cleaning Solution (2550)









©2024 BISSELL Inc. All rights reserved.
Part Number 1640054 12/23 v7
global.BISSELL.com