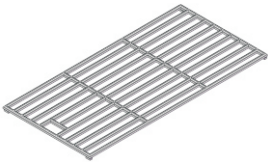



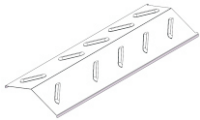
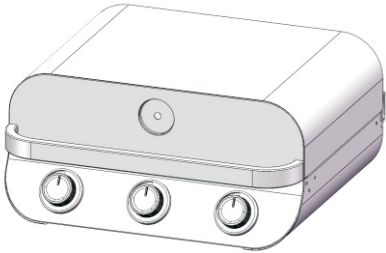


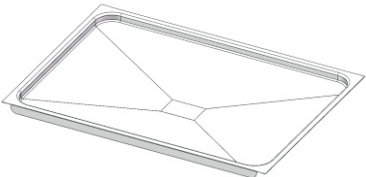
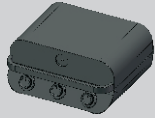
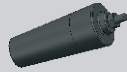


NO.	DESCRIPTION	QTY	NO.	DESCRIPTION	QTY
1		2	8		1
2		1	9		1
3		3			
4		1			
5		4			
6		1			
7		1			

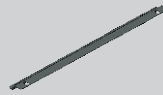
1



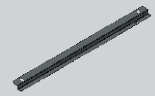
x1



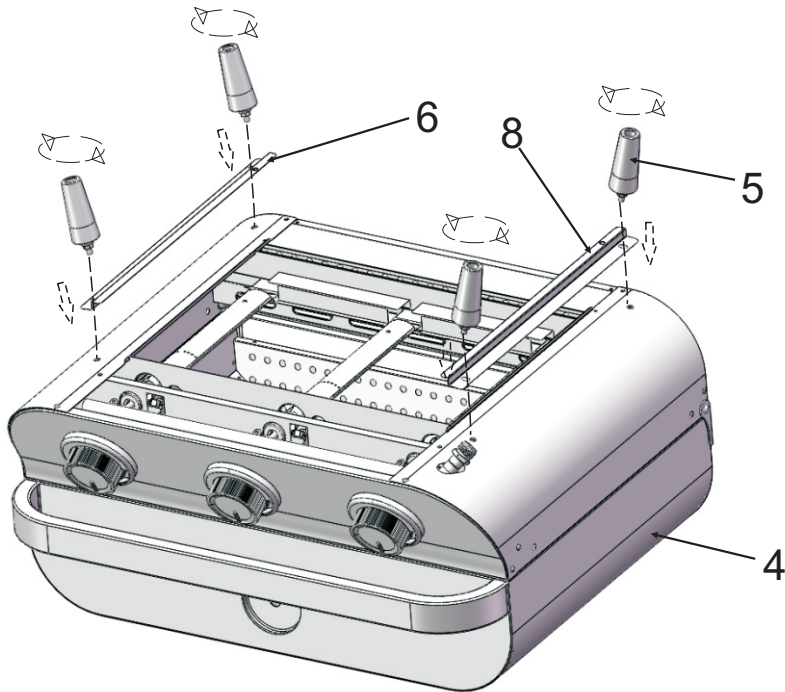
x4



x1



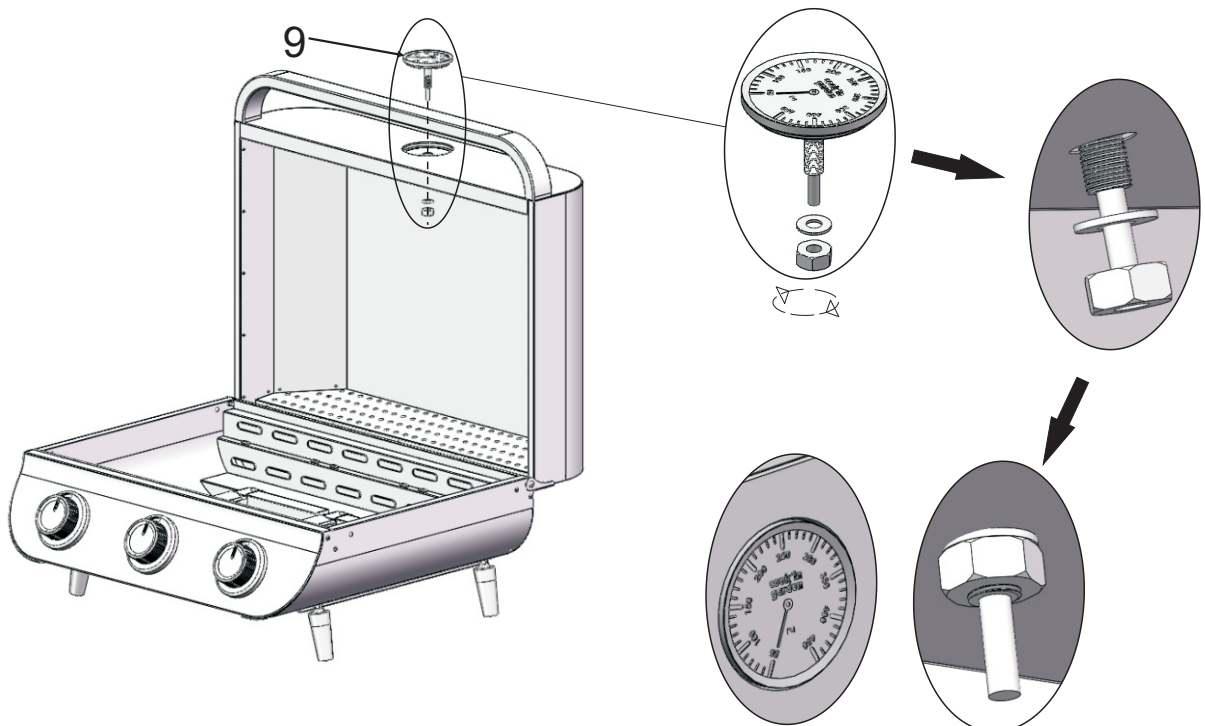
x1



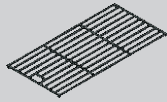
2



x1



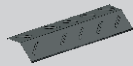
3



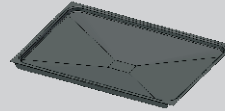
x2



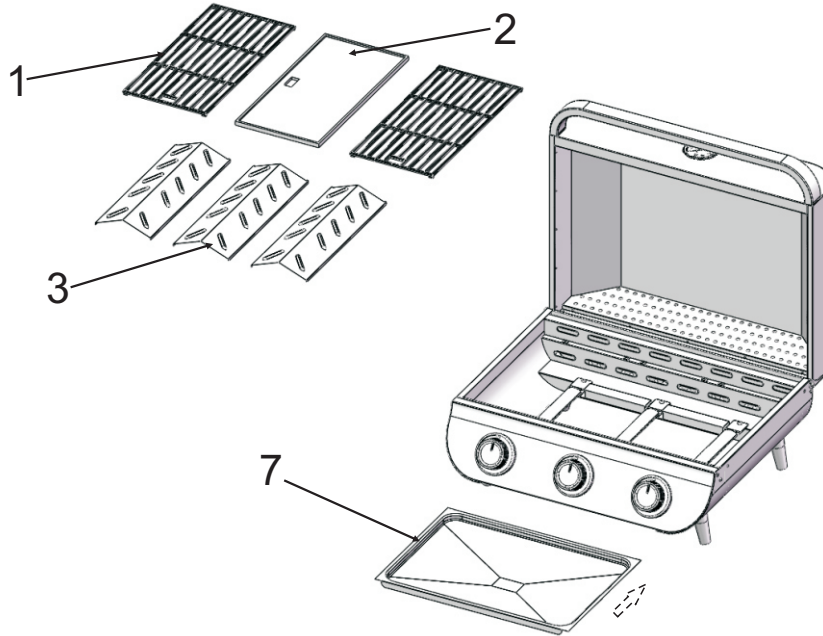
x1



x3



x1



4

