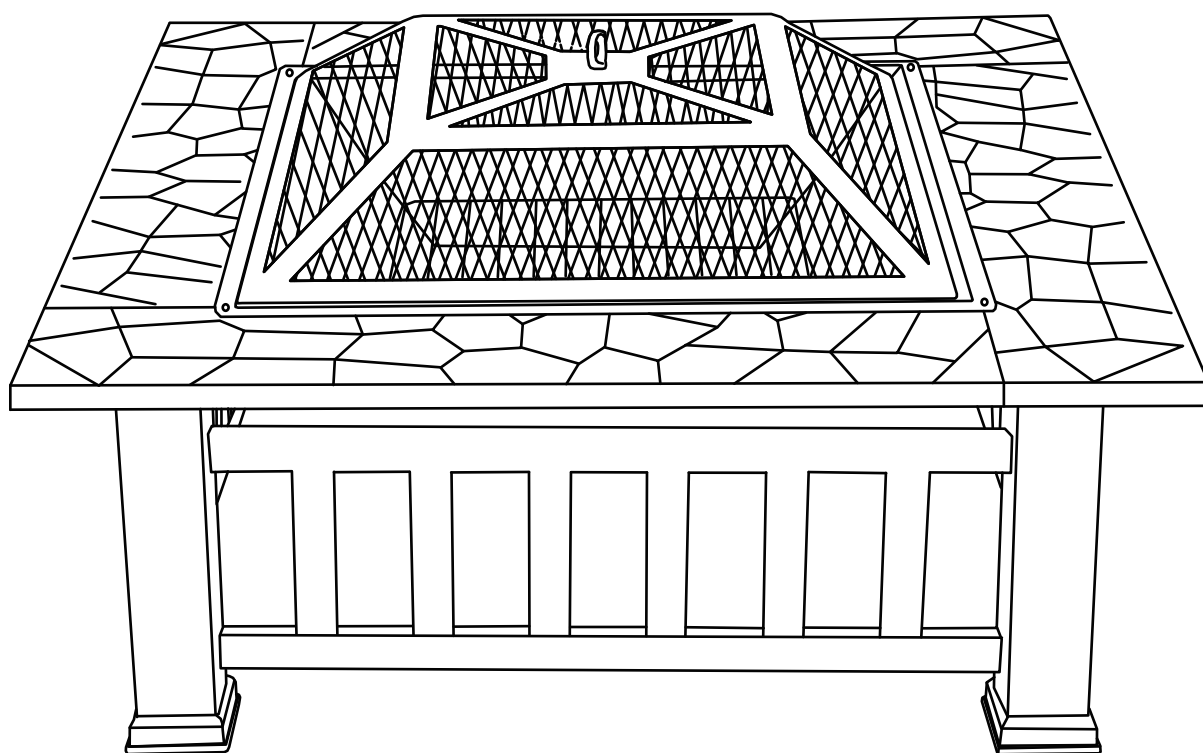
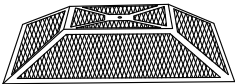
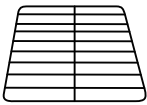
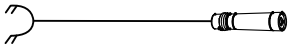

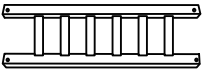
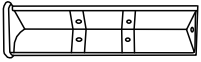
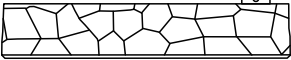
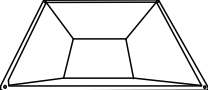





c ramique avec couvercle anti braises

1545_141353



Ref:1545_141353

1		508X508X105 MM	X 1	1/1
2		304X303 MM	X 1	1/1
3		510X60 MM	X 1	1/1
4		840X840X400 MM	X 1	1/1
5		660X190X10 MM	X 4	1/1
6		57X57X330 MM	X 4	1/1
7		670X134X21 MM	X 4	1/1
8		576X576X112 MM	X 1	1/1
A		M6X10 MM	X 32	1/1
B		64X50 MM	X 1	1/1
C		58X21X4 MM	X 1	1/1

Ref:1545_141353

FR : SAV/INFORMATION /VIDEO/CONTACT

EN: AFTER-SALES SERVICE/INFORMATION/VIDEO/CONTACT

DE : REPARATUR-SERVICE UND ERSATZTEILE /INFORMATIONEN /VIDEO/KONTAKT

ES: SERVICIO POST-VENTA/INFORMACION/VIDEO/CONTACTO

IT: SERVIZIO ASSISTENZA/INFORMAZIONI/VIDEO/CONTATTO

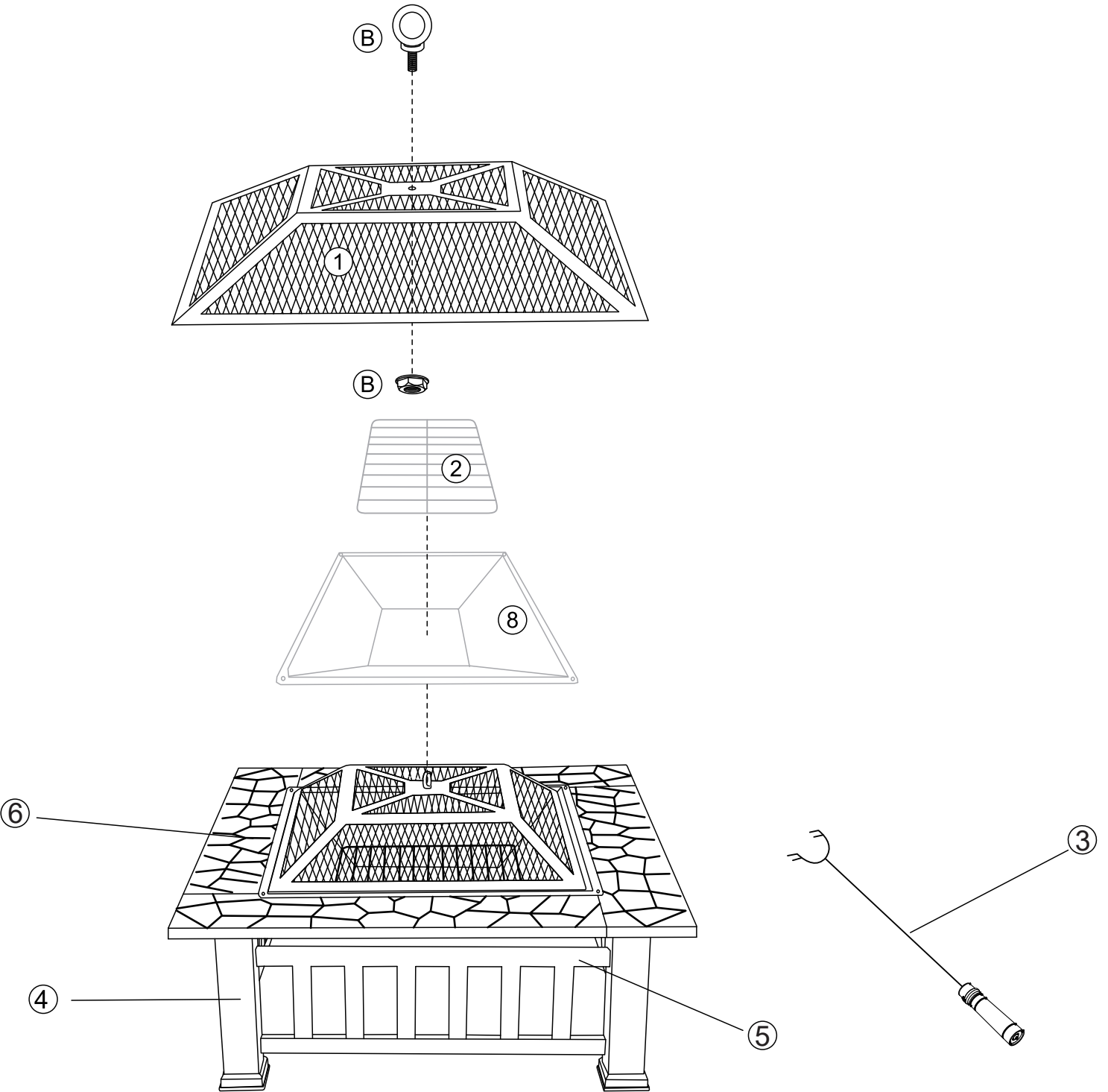
PT: SERVIÇO PÓS-VENDA/INFORMAÇÕES/VIDEO/CONTATO

PL: SERWIS TECHNICZNY/INFORMACJE/WIDEO/KONTAKT

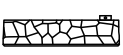

NE: AFTER SALES SERVICE/INFORMATIE/VIDEO/CONTACT

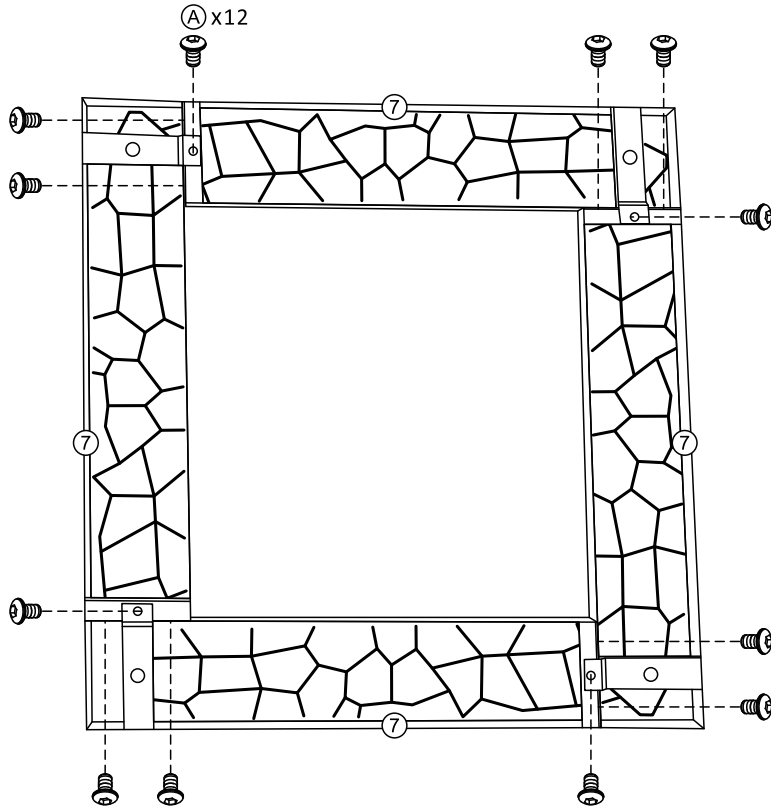
HE: מערשקתל/ואדיווה/ עדימ/תורכמו תוריש רחאל

SAV.HABITATETJARDIN.COM






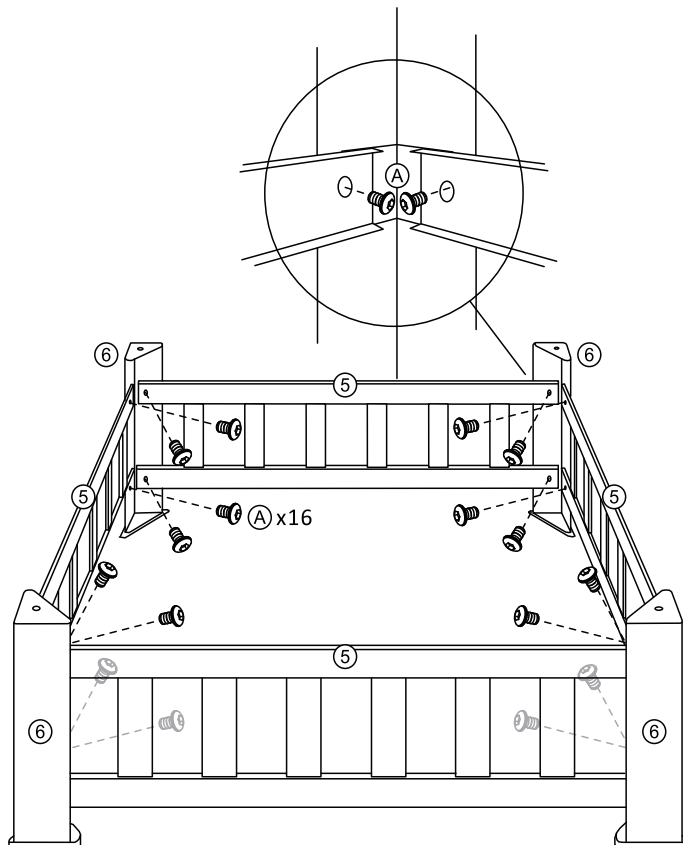
1

⑦	 x4
Ⓐ	 x12




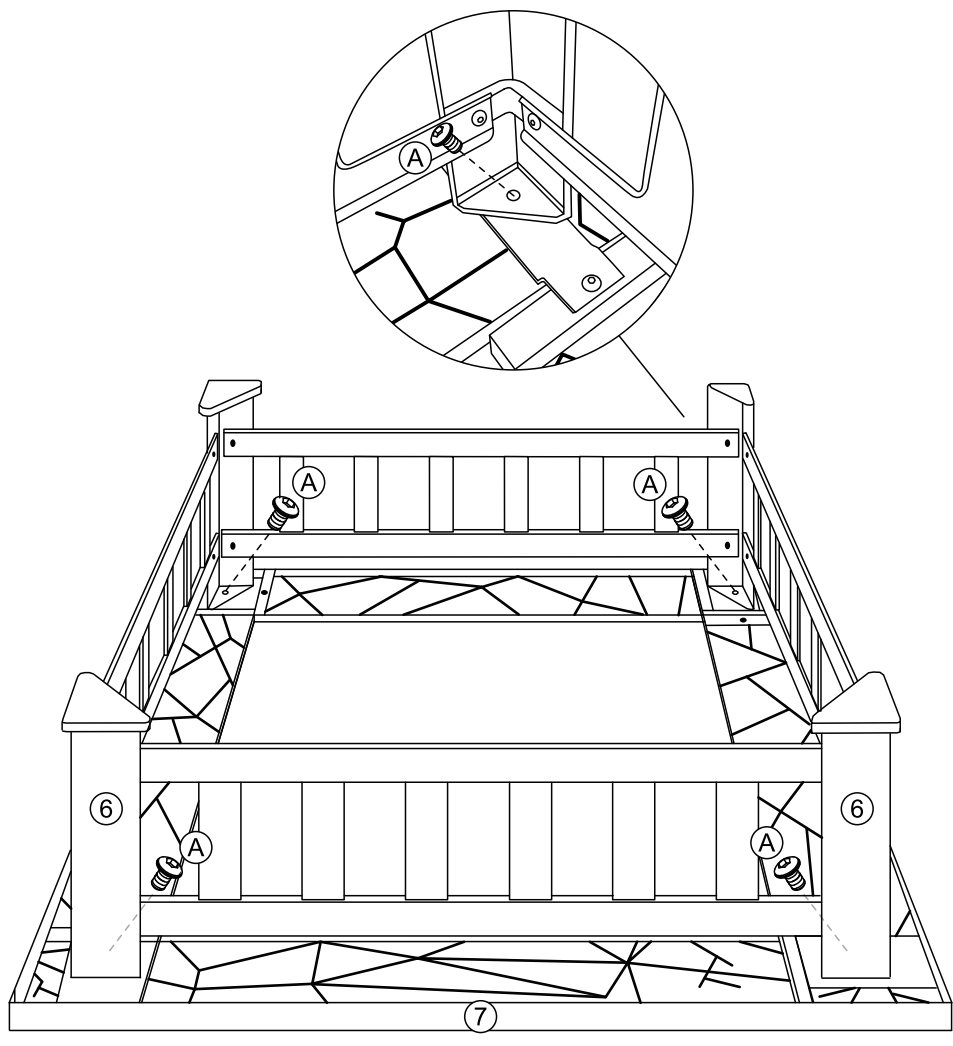
2

⑤	 x4
⑥	 x4
Ⓐ	 x16





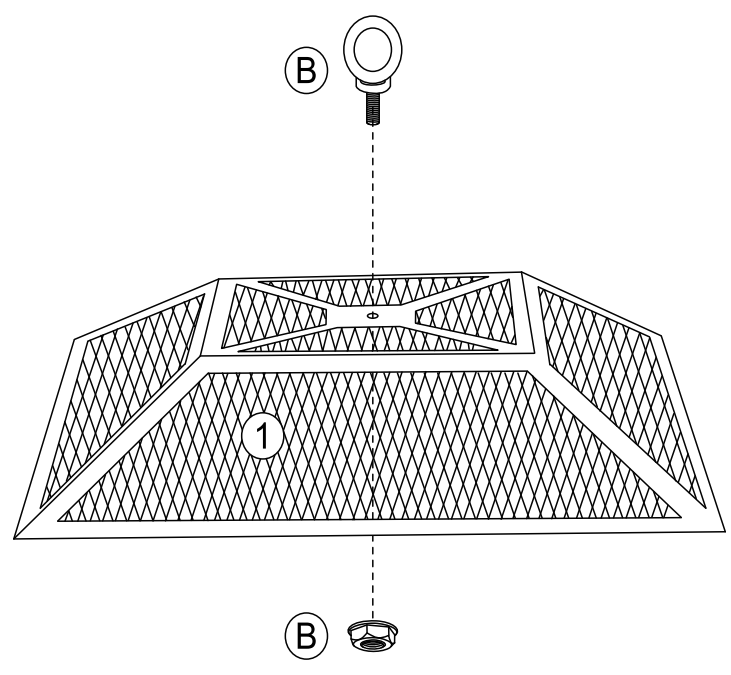
3

(A)		x4
-----	---	----

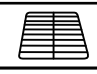



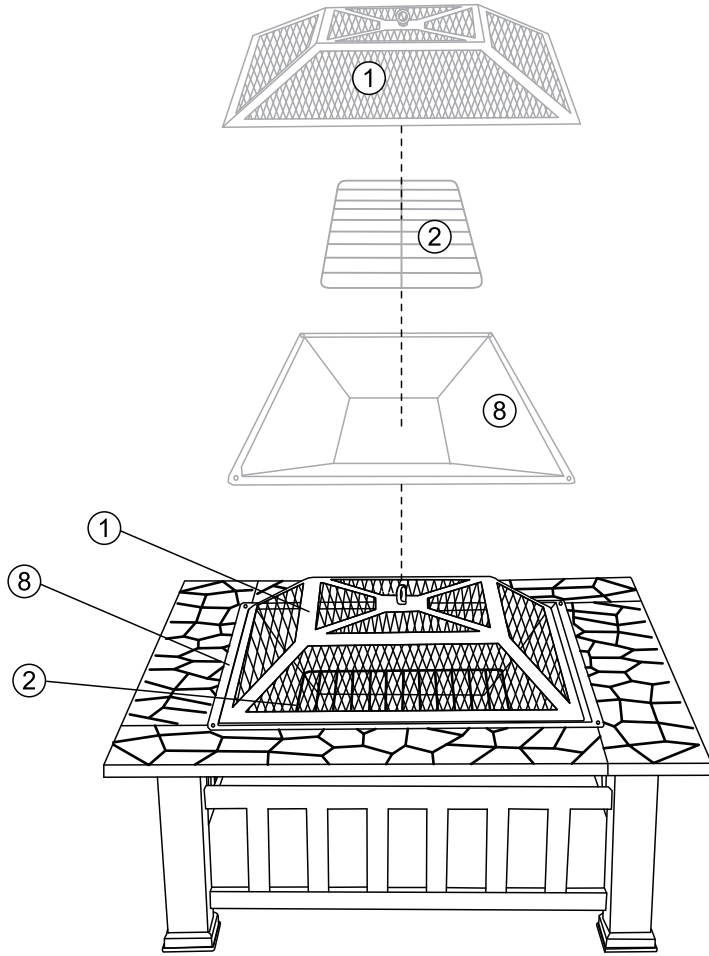
4

(1)		x1
(B)		x1



5

- | | | |
|---|---|----|
| ② |  | x1 |
| ⑧ |  | x1 |



6



