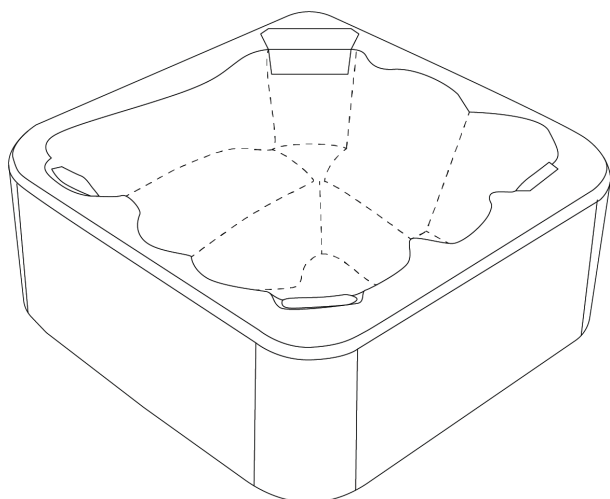


Outdoor SPA Owner's Manual



Models: **CALIMA, VILLARRICA, MARFIL**
Articles: **37979, 37981, 37983, 37983**



Table of Contents

English (ENG).....	3
Čeština (CZ).....	17
Dansk (DK).....	31
Nederlands (NL).....	45
Suomi (FI).....	61
Français (FR).....	75
Deutsch (DE).....	91
Magyar (HU).....	108
Italiano (IT).....	123
Norsk (NO).....	139
Polski (PL).....	154
Português (PT).....	170
Română (RO).....	185
Español (ES).....	200
Svenska (SE).....	216
Slovenčina (SK).....	230

2

English (ENG)



Instructions for use:

Be sure to read this instruction manual carefully before using.

With correct preparation and care, your spa will provide many years of enjoyment and relaxation. This manual has been designed to provide all the essential information regarding the preparation, installation, care, and operation of your new spa. Please take the time to read the entire manual to ensure your spa is used correctly and safely.

Main Function and Product Characteristics:

- **Hydrotherapy function:** The spa is equipped with special hydrotherapy seats, ergonomically designed to support the body. Adjust the massage pressure by modifying the massage settings, water diverter, and air regulator.
- **Air blower therapy function:** Activate the air blower to release a large volume of air bubbles through specially designed air jets, creating a bubbly massage experience that is both therapeutic and fun.
- **Heating function:** The spa heats the water and allows users to set the desired temperature. The heating system maintains this temperature, ensuring year-round availability.
- **Filter and circulation function:** The spa features a filtration system with an integrated filter and ozone sterilization. While filtering out impurities, the system automatically operates the Filter Cycle to eliminate bacteria using ozone generated by the ozone unit.
- **Lighting:** Underwater LED lighting enhances the spa's ambience. Controlled via the panel, the lighting system not only illuminates the water but also creates a romantic and soothing mood.

Important declaration: All the functions mentioned above are general descriptions of our spa products. The specific features of your spa may differ. Please confirm the details before making a purchase. The manufacturer reserves the right to modify or improve products without prior notice and without incurring any obligation.

Important instructions

It is essential to familiarize yourself with general spa pool safety and water treatment procedures. Please ensure you understand the following information:

- **Drainage requirement:** Ensure that the spa is not installed in a low or flood-prone area, as this may cause electrical equipment failure or pose a danger to spa users.

- **Risk of electric shock:** As with all electrical appliances, there is a risk of electric shock. The engine room, located within the cabinet, houses the control unit that operates the spa. This enclosure should always remain shut. If water enters the engine room, turn off the spa at the power supply and ensure all components are completely dry before attempting to restart it.
- **Temperature:** Keep the spa water temperature no higher than 40°C. Higher temperatures can strain the cardiovascular system. If the temperature exceeds 40°C, exit the spa and contact your dealer immediately. It is recommended that the water temperature not exceed normal body temperature (approx. 37.5°C).
- **Medical conditions:**
 - Individuals with diabetes, high blood pressure, heart conditions, or other cardiovascular issues should consult a doctor before using the spa.
 - To reduce contamination and health risks, shower with soap and water before entering the spa.
 - Anyone with open wounds or any form of infection should not use the spa.
 - Hot water can be an ideal environment for bacteria, especially if sanitiser levels are not properly maintained.
 - Pregnant women should always consult their doctor before using a spa.
- **Soak and cool time:** Limit sessions in the spa to 15–20 minutes at a time. Some spas have a cooling seat. If you begin to feel too warm, sit on the cooling seat and allow your body to cool down. Once you feel comfortable, you may slowly re-enter the water. Sitting in a spa with your chest above the water line helps reduce the time needed to cool off. Avoid prolonged exposure to water above normal body temperature, as it can be dangerous.
- **Alcohol use and medication:** Consuming alcohol in or around the SPA is highly unsafe. Never use glass containers near the SPA. Alcohol increases the risk of drowning. Anyone taking medication should consult their doctor before entering the SPA.
- **Child safety:** Children should not use the spa unsupervised.
- **Preventing slips:** Always take care when entering and exiting the spa, as wet or uneven surfaces can be slippery. Use handrails and non-slip surfaces to reduce the risk of falls. In some cases, steps may be needed to make entry and exit easier.
- **Electrical appliances:** Never place any electrical devices within 2 metres of the SPA.
- **Weather conditions:** Do not use or operate the SPA during severe weather conditions, such as thunderstorms, cyclones, or electrical storms.
- **Ventilation:** If the SPA area is not properly ventilated, users may experience throat irritation. Ensure the SPA pool is installed in a well-ventilated area, especially if it is enclosed.
- **Chemicals:** Chemicals are essential for maintaining clean water, preventing bacterial growth, and prolonging the life of your SPA and its components. However, when used in concentrated forms (such as certain household chemicals), they can be hazardous. Always handle spa chemicals with care and follow safety guidance. Refer to the product's label and

safety documentation. More detailed information on using chemicals safely is available in the Chemical Management section.

Spa Installation

Always use a qualified professional to install your SPA. The manufacturer is not responsible for any damage caused by incorrect installation or by work carried out by unqualified individuals.

Positioning and location of the spa

- The spa should be positioned to ensure easy access for service and maintenance. Most equipment is located at the front of the spa and must remain accessible for power connection and servicing.
- It is recommended to leave at least 1.2 metres of clearance around all four sides of the SPA for future access.
- The owner is responsible for ensuring that the installation is completed correctly before service begins.
- All portable SPA equipment requires ventilation. Do not block the vents in the cabinet.
- Position the SPA away from trees to prevent leaves from blocking the filter.

Important Note:

Do not leave your SPA in direct sunlight for prolonged periods. This may void your warranty. The spa includes insulation over the shell and pipework. If exposed to direct sunlight, the surface temperature can rise up to 200°C, which can cause damage to the SPA.

It is recommended to always use the hard cover when the spa is not in use and to place the spa in a location protected from extreme and harsh weather. Leaving the SPA uncovered and exposed could void your warranty on the spa and its accessories.

Location Requirement

- Before installation, it is advisable to consult a professional to confirm the appropriate position for the SPA.
- Avoid placing the SPA where water could flood into the electrical equipment compartment. Also ensure it is protected from direct contact with very damp areas.
- Position the SPA horizontally, ensuring the entire base of the unit is on a smooth, flat, and level surface capable of supporting the weight when fully filled with water, plus the weight of the bathers (requires 1000KG weight capacity).
- The spa must not be placed on a curved, soft, sandy surface or blocks.

5

Draining your SPA

If you use your SPA only once or twice a week, draining will be less frequent than for those who use it three or more times a week. Therefore, it is recommended to drain the SPA at least every 3 months.

Your drainage valve is located at the front of the bottom base. Drainage instructions are as follows:

1. Take off the cover of the drainage valve by turning anti-clockwise
2. Connect your hose to the drainage valve (hose diameter: ¾" or 19.04 mm)
3. Pull out and unscrew until water starts to flow

Note: Ensure the power is switched off before draining. Damage caused by dry running will not be covered under warranty.

SPA Control Panel Instruction

For SPA control panel operation, please refer to the User Manual of the control system and the Quick Operation Guidance.

Jet instruction

Jets are the main components responsible for massage. You can adjust the water flow by rotating the jet face.

- Turn the jet cover clockwise about 1/4 turn to open the jets.
- Turn the jet cover anti-clockwise about 1/4 turn to close the jets.

Note: Some jets and air jets are non-adjustable. Do not rotate these jets with force as it may cause damage.

Air Jets Controls Instruction

- Air controls affect the pressure of your jets by adding air. You may have more than one air control on your spa, each of which will be associated with a specific group of jets. By opening an air control, more air will be drawn into the water flow.
- When the air control is turned clockwise, it will decrease the power of the massage jets.
- When it is turned anti-clockwise, it will increase the power of the massage jets.

Note: For better heating efficiency, please turn the air controls off. The air blower may cool down the spa water temperature.

7

Electric Installation

- The electrical supply to your new spa must be on a dedicated circuit with no other appliances or sockets sharing the power. Damage caused by incorrect amperage WILL NOT be covered under warranty. Consult a qualified electrician for electrical connection.
- Ensure your new spa is properly earthed. The main power supply must include a high-sensitivity residual current device (RCD). A 30mA leakage protector is recommended.

Please select a suitable wiring size:

Power (KW)	2.1	2.5	2.8	3.2	3.5	4.4	5.3	6.2	7.0	7.9	8.8
Product distance											
6 - 11 meters	2.5	2.5	2.5	2.5	4	4	6	10	10	10	10
11 - 15 meters	2.5	2.5	2.5	4	4	4	6	6	10	10	10
15 - 20 meters	4	4	4	4	6	6	10	10	10	16	16

Spa Maintenance

Owning a SPA is enjoyable, relaxing and therapeutic, but it's important to maintain your investment to ensure it remains economical and in good health—avoiding unnecessary, premature repair costs. Below is a simple step-by-step guide to follow.

Filling your SPA

1. Before filling your SPA, please check and tighten all live connectors, as they may become loose during transportation.
2. Please check and ensure that all check valves are in the open position.
3. Check that the drainage valve is shut off.
4. Ensure that all jets are in the open position. Turn clockwise to open your jets on.
5. Fill your SPA with water. Fill through the filter to avoid air blocks in the pumps.
6. Fill the water until it reaches the required water level.

Note: To avoid damage to components, DO NOT fill with hot water over 40°C into your SPA.

6

Water diverter instruction

The water diverter is the part that adjusts the massage power. Rotating the water diverter controls the water flow between jets. Turning it will adjust the massage power of different jet groups.

SPA WATER MANAGEMENT & MAINTENANCE

Please note that these instructions are intended as a general guide for maintaining spa water quality. Before taking any action, please consult your local SPA specialist for the appropriate amount of sanitiser to use, and suitable procedures based on the capacity of your SPA.

- You should never use poor grade chemicals or incompatible equipment, as this may result in damage.
- Chemicals will not be covered under warranty.
- Please have the water tested by a professional at least once a month. It is also recommended that water is tested weekly by the user. When adding chemicals, mix in water for 20-30 minutes and ensure that all substances are fully dissolved.

The effect and adjustment of pH

- Low pH (below 7.2) causes sanitisers to function poorly, increases corrosion risk for surfaces and components, and may cause skin and eye irritation.
- If pH is high (above 7.6), chlorine-based sanitisers lose effectiveness; water can become cloudy, and scaling may occur on spa surfaces and heaters.

ATTENTION! The pH level measures water acidity/alkalinity:

- Alkalinity: Values above 7 are alkaline; below 7 are acidic.
- A pH range between 7.2 and 7.6 is recommended.

WARNING: Please make sure that the correct pH level is maintained. Any damage caused by incorrect pH will not be covered by your SPA warranty.

pH Adjustment

- Check the pH of the spa water daily using the pH tester (not supplied). If pH is outside the recommended range, do not use the SPA. Wait two hours and re-test.
- If pH remains incorrect, run the pump for 2 more hours and re-check.
- If still incorrect: Uncover the spa cover and test again after adding the appropriate pH or alkalinity/acidifying chemical (use only as advised). Mix well, then re-test after 20 minutes.

Disinfection of the Water

- Disinfection is vital to destroy algae, bacteria and other pathogens in the water. However, overuse of disinfectant can lead to skin/eye irritation.

8

- **Bromide tablets:** Safe and suitable for use. Place in the pre-filter; dissolves gradually.
- Check residual bromide levels daily with a test kit. Ideal levels: 2.2–3.3 ppm

Disinfection with Ozone

- Ozone (O₃) is a powerful and odourless disinfectant.
- Most spas are equipped with 1–2 ozone generators.
- The system automatically injects ozone into the spa water via the jets.
- Ozone should be released once per day. Recommended ozone disinfection is once daily, lasting 1–2 hours.
- The lifespan of the ozone generator depends on usage and should be checked regularly.

Filter Removal and Installation

Removing the Cartridge and Filter:

- Open the cartridge cover on the top side.
- Remove the filter cover, and turn anti-clockwise to remove the paper filter.
- To install the cartridge filter, reverse these steps.

Removing the Double Front Access Filters:

- Lift the front panel; pull the screen out sideways.
- Turn anti-clockwise to remove the paper filter.
- To install the double front access filters, reverse these steps.

Removing the Large Front Access Stopper Filter:

- Remove the top cover.
- Turn anti-clockwise to remove the paper filter.
- To install the front access stopper filter, reverse these steps.

When Your Spa is Not in Use

If you are going away for a period longer than 2 months, it is recommended that you turn your spa off and empty it. It is important to remember to leave the cover on even while empty to protect the shell. If you are going away for a few days or weeks, do not turn your spa off completely. Turn the temperature down to 15 degrees Celsius, so that the filtration cycles are still functioning, but the spa doesn't heat.

- **3-5 days:** Adjust the pH and water treatment (for details, please check the water maintenance section), cover the spa. Adjust the pH and water treatment when you reuse the spa.

- **5-14 days:** Set the lowest temperature or sleep mode. Adjust the pH and water treatment (for details, please check the water maintenance section), cover the spa. Adjust the pH and water treatment when you reuse the spa.
- **More than 15 days:** Turn off the power, open the drain valve and drain the spa completely. Remove the filter, keep the spa dry, and cover the spa.

Troubleshooting

Symptom	Possible Causes	Solution
The error message appears on the LCD; the spa stops working	The control system has a digital diagnostics function which will stop working if there's something wrong in the spa, and it will restart when the troubleshooting is resolved.	Please check the error message in the control system manual, and then contact your local dealer to carry out maintenance.
Spa can't start in any mode	Power is off	Check if the power switch or contactor is turned on.
	Control panel is locked	Check whether the control panel is locked, and unlock if needed
	Electrical control failure (display shows error message)	Check the fault code in the control manual, then contact your dealer to carry out the maintenance.
Spa opens automatically	Filtration feature is running	This is just an automatic function of the system; no maintenance is required. The system will automatically stop running when the function is complete. No user action required
	Heating function is running	
	Antifreeze feature is running	
The water pump turns off automatically when using the spa	The pump running time is more than the system's default maximum running time	Repress the pump button to restart the pump. Allow the pump.
	The pump motor is in overheat protection mode	Stop the pump running for more than 1 hour until it has cooled, and then start the

9

10

		pump.
The spa turns on after filling completely with water, then the water pumps are also on, but no water comes out from the jets	The jets are closed	Check whether the jets are closed; if not, open them
	Water pump is sucking air	Repeatedly try to start the water pumps. If still not working, open the lid on the water pump to release the air, and then screw it tightly. Meanwhile, please fill the water through the filter to prevent the inside of the water pump from sucking air
Spa is heating slowly	Low temperature set	Re-set the temperature
	Filter cartridge is dirty	Cleaning or replacement of filter
	No cover on the spa, causing heat loss	Put the cover on the spa when not in use
	The jet connected to the circulating pump is closed	Open the jets
	Heater is broken	Contact your local dealer to carry out the maintenance
The massage power of the jets is small	Jets are not fully opened	Open the jets
	Jets are clogged	Rotate the jet cover anti-clockwise to its end, then force it anti-clockwise to spiral the jets out. Check whether there are foreign bodies inside the jets.
	Air valve turned off	Open the air valve switch.
	Water valve closed, preventing water from coming out of the jets	Rotate valves, regulating the water jets.
	Water pump control valve is not fully opened	Check if the water pump's valve is fully opened.
The jet spraying water is sometimes strong,	Suctions or filter are clogged. Water pump	Check whether the suction or filter have foreign bodies

sometimes weak	control valve is not fully opened.	inside and remove them. Check if both of the water pump's valves are fully opened.
----------------	------------------------------------	--

The Application of Other Special Chemical Products

Besides pH adjustment and the above-mentioned disinfection methods, there are some cleaning products which can be used in spa water:

- **ANTI-CALCAREOUS:** It can be used to prevent/reduce precipitation of calcium salts (scale), especially in hard water areas. Use it once a week and whenever the water is renewed.
- **SPA ALGAEICIDE:** Prevents algae from growing in the water. Use it once a week and whenever the water is renewed.
- **ANTI-FOAM:** Prevents foaming in the water. Use it once a week and whenever the water is renewed.

WARNING

Add the exact amounts to the water, as specified. Do not mix products to avoid possible reactions. Do not smoke while handling these products – they may be flammable. Do not add chemical products to the water if there is someone in the spa. Keep containers tightly closed in dry, well-ventilated places, and keep these products away from children. Do not inhale chemical products, and take care not to let them come into contact with the eyes, nose, or mouth. Wash hands after use. Follow the emergency instructions on the product label in the event of an accident or ingestion.

SPA Cleaning and Maintenance

Owning a spa is relaxing, and therapeutic, but more importantly, it is important to look after it properly, to keep it healthy and economical, thus avoiding unnecessary premature repair costs. Detailed below is a simple step-by-step procedure to follow.

Spa Surface Cleaning and Maintenance

The spa surface is made of high-gloss acrylic. It should be kept clean. We suggest cleaning the spa's exterior surface once a week and cleaning the entire spa after draining. Detailed steps as below:

- Clean the dirt with a wet towel. We can use a neutral detergent and a soft towel. Do not use detergents containing ketone or chlorine water.
- If the surface has some light scratches, please polish it with 2000-grit sandpaper and touch it up with toothpaste, then re-polish it with a soft towel.

11

12

- Please do not clean the spa surface with any chemical solution/solvents or abrasive tools. Do not scratch the spa surface with hard materials or a knife.
- Please do not clean the spa surface with nail polish, nail polish remover, dry cleaning fluid, acetone, paint remover, etc., as it will damage the surface.
- No cigarette ends or heat sources over 70°C should touch your spa.

Control Panel Maintenance

- Please do not touch the control panel with hard objects to avoid scratches.
- Please avoid direct sunlight on the control panel.
- Please keep the control panel dry when the spa is not in use.

Pillow Maintenance

- Clean the pillow with neutral detergent.
- Excessive chloride detergent and ozone will cause the pillow to fade. Please remove the pillow after using the spa. Please handle it carefully, as it is not covered by the guarantee.

Spa Cover Maintenance

- Clean the cover with soapy water. Please ensure that the soapy water does not go inside the spa.
- Please do not grasp or pull the link in the middle of the cover; it is easily broken.
- Please do not sit, lie, or jump on the cover. Damage caused by this may not be covered under guarantee.

Note: Please cover the spa after use or cleaning. Leaving the spa uncovered and exposed may void your warranty on your spa and its accessories.

Filter Maintenance

You should clean your filters regularly. Once a week, you should remove your filters and hose any debris out of them with a high-pressure hose. Once a month, you should soak your filters in a cartridge filter cleaning solution and then hose them off with a high-pressure hose.

Filter Cleaning

1. Turn off the power.
2. Remove the cartridge; please read the filter removal instructions before doing so.
3. Remove the filter from the cartridge by turning it anti-clockwise.
4. Clean the cartridge with water until there are no leftovers.
5. Spray the filter with water, from top to bottom, at an angle of 45° (Refer to the photos on the right side).

13

6. Install the filter and cartridge after cleaning.
7. Turn on the power.

Warning: When you remove your filters, ALWAYS ensure that the power to your spa is off before doing so. If you leave your power on and anything is drawn into your pump or heater, causing either to fail, the fault will not be covered under warranty.

Warranty Performance and Coverage

Our company provides a limited 2-year warranty covering manufacturing defects and faults directly attributable to the product's design, materials, or workmanship. This warranty applies only to products used exclusively for private, personal, and non-commercial purposes.

All repairs or replacements do not extend or renew the original warranty period. This is a parts-only warranty, unless otherwise stated in writing. For any warranty claims related to transport damage, damages must be reported within 24 hours of delivery, with proper documentation and photos, and acknowledged by the delivery driver. Any unauthorized repair attempts or failure to follow the outlined process may void the warranty.

The following items are specifically excluded from any warranty coverage:

- Any damages resulting from improper use or maintenance not according to the user's manual.
- Damage caused by any human factor.
- Any amendment to the product without the manufacturer's authorization.
- Damage or discolouration to the shell surface due to corrosive or improper cleaning agents.
- Damage resulting from improper transportation or storage.
- Damage due to acts of God.
- Natural colour fading.

Limited Warranty: The production manufacturer reserves the right of final explanation.

Special Declaration Note: The limited warranty is from the manufacturer's production date of substantial completion.

14

Declaration of Performance

8. Unique identification code of the product type:
Product number (see bottom of the page)
9. Intended use:
Whirlpool SPA for domestic use, for wellness/personal hygiene purposes
10. Importer:
Beliani GmbH
Haldenstrasse 5
6340 Baar
Switzerland
Phone +41 43 5082233
11. Authorized Representative: %
12. System for assessment and verification of constancy of performance: System 1
 - a. Harmonized Standards:
EN55014-1:2006/+A1:2009/+A2:2011
EN55014-2:2015 EN61000-3-12:2011
EN61000-3-11:2000
The EMC directive (2014/30/EU)
EN60335-2-60:2003+A1:2005+A2:2008+A11:2010+A12:2010
EN60335-1:2012+AC:2014+A11:2014
EN62233:2008
Low Voltage Directive (2014/35/EU)
 - b. European Assessment Document: %
European Technical Assessment: %
Technical Assessment Body: %
Notified Body: %
13. Declared Performances:

Essential Characteristics	Performance	Harmonized Technical Specification
User Safety	Compliant	EN 60335-2 EN 60335-1 EN 62233
Operation (normal and abnormal)	Compliant	
Low Voltage Directive	Compliant	
Electromagnetic Compatibility (EMC)	Compliant	EN 55014-1 EN 55014-2 EN 61000-3-12

		EN 61000-3-11
--	--	---------------

14. Appropriate Technical Documentation or Specific Technical Documentation:
Report No: 60445226 001 TÜV Rheinland
Report No: 60445226 001 TÜV Rheinland

The performance of the aforementioned product conforms to the declared performance. The importer named above is solely responsible for the preparation of the Declaration of Performance in accordance with Regulation (EU) No. 305/2011.

Appendix

Article Number	Article Type
37979 (E-351S) CALIMA	Whirlpool SPA
37981 (M-530D) VILLARRICA	Whirlpool SPA
37983 (E-310S) MARFIL	Whirlpool SPA

Signed for and on behalf of the importer by:
Michael Widmer, Managing Director



6340 Baar, 20.05.2024

15

16

Čeština (CZ)



Návod k použití:

Před použitím si pozorně přečtěte tento návod k použití.

Se správnou instalací a péčí bude vaše vířivka poskytovat řadu let radost a relaxaci. Tato příručka byla navržena tak, aby poskytla všechny základní informace týkající se přípravy, instalace, péče a provozu vaší nové vířivky. Věnujte prosím čas přečtení celého návodu, abyste se ujistili, že je vaše vířivka používána správně a bezpečně.

Hlavní funkce a vlastnosti produktu:

- **Funkce hydroterapie:** Vířivka je vybavena speciálními hydroterapeutickými sedadly, ergonomicky navrženými tak, aby podpíraly tělo. Nastavte masážní tlak úpravou nastavení masáže, přesměrovače vody a regulátoru vzduchu.
- **Funkce terapie vzduchovým ventilátorem:** Aktivujte dmychadlo a uvolněte velký objem vzduchových bublin prostřednictvím speciálně navržených vzduchových trysek, čímž vytvoříte zážitek z bublinkové masáže, který je terapeutický i zábavný.
- **Funkce topení:** Vířivka ohřívá vodu a umožňuje uživatelům nastavit požadovanou teplotu. Topný systém tuto teplotu udržuje a zajišťuje tak celoroční dostupnost.
- **Funkce filtru a cirkulace:** Vířivka je vybavena filtračním systémem s integrovaným filtrem a ozónovou sterilizací. Při odfiltrování nečistot systém automaticky provozuje filtrační cyklus k odstranění bakterií pomocí ozónu generovaného ozónovou jednotkou.
- **Osvětlení:** Podvodní LED osvětlení vylepšuje atmosféru. Osvětlovací systém ovládaný pomocí panelu nejen osvětluje vodu, ale také vytváří romantickou a uklidňující náladu.

Důležité prohlášení: Všechny výše uvedené funkce jsou obecným popisem našich produktů. Specifické vlastnosti vaší vířivky se mohou lišit. Před nákupem prosím zkontrolujte podrobnosti. Výrobce si vyhrazuje právo upravovat nebo vylepšovat produkty bez předchozího upozornění a bez jakýchkoliv závazků.

Důležité pokyny

Je nezbytné, abyste se seznámili s obecnou bezpečností vířivky a procedurami úpravy vody. Ujistěte se, že rozumíte následujícím informacím:

- **Požadavek na odvodnění:** Zajistěte, aby vířivka nebyla instalována v nízké položené oblasti nebo oblasti náchylné k záplavám, protože to může způsobit poruchu elektrického zařízení nebo představovat nebezpečí pro uživatele vířivky.
- **Nebezpečí úrazu elektrickým proudem:** Jako u všech elektrických spotřebičů i zde hrozí nebezpečí úrazu elektrickým proudem. V prostoru motoru, který se nachází uvnitř skříňky, je umístěna řídicí jednotka, která ovládá vířivku. Tento prostor by měl být vždy uzavřen.

17

formách (jako jsou některé chemikálie pro domácnost), mohou být nebezpečné. Vždy zacházejte s chemikáliemi ve vířivce opatrně a dodržujte bezpečnostní pokyny. Podívejte se na štítek produktu a bezpečnostní dokumentaci. Podrobnější informace o bezpečném používání chemikálií jsou k dispozici v části Chemický management.

Instalace

K instalaci vířivky vždy používejte kvalifikovaného odborníka. Výrobce neodpovídá za škody způsobené nesprávnou instalací nebo prací prováděnou nequalifikovanými osobami.

Umístění a pozice vířivky

- Vířivka by měla být umístěna tak, aby byl zajištěn snadný přístup pro servis a údržbu. Většina vybavení je umístěna v přední části vířivky a musí zůstat přístupná pro připojení napájení a servis.
- Doporučuje se ponechat alespoň 1,2 metru volného prostoru kolem všech čtyř stran pro přístup.
- Majitel je odpovědný za zajištění správného dokončení instalace před zahájením servisu.
- Všechna přenosná zařízení vyžadují ventilaci. Neblokujte větrací otvory ve skříni.
- Umístěte vířivku daleko od stromů, aby listy neblokovaly filtr.

Důležitá poznámka:

Nenechávejte vířivku na přímém slunci po delší dobu. Může to vést ke ztrátě záruky. Součástí vířivky je izolace pláště a potrubí. Při přímém slunečním záření může povrchová teplota stoupnout až na 200 °C, což může způsobit poškození.

Doporučuje se vždy používat pevný kryt, když se vířivka nepoužívá, a umístit vířivku na místo chráněné před extrémním počasím. Pokud necháte vířivku odkrytou, může dojít ke zrušení záruky na vířivku a její příslušenství.

Požadavek na umístění

- Před instalací je vhodné poradit se s odborníkem, aby potvrdil vhodnou polohu vířivky.
- Neumístěte vířivku tam, kde by mohla voda zaplavit prostor pro elektrické zařízení. Zajistěte také ochranu před přímým kontaktem s velmi vlhkými místy.
- Umístěte vířivku vodorovně a zajistěte, aby celá základna jednotky byla na hladkém a rovném povrchu schopném unést váhu při plném naplnění vodou plus váhu koupajících se (vyžaduje se nosnost 1000 kg).
- Vířivka nesmí být umístěna na zakřiveném, měkkém, písčitém povrchu nebo blocích.

19

Pokud do prostoru motoru vnikne voda, vypněte vířivku z napájení a před pokusem o její opětovné spuštění se ujistěte, že jsou všechny součásti zcela suché.

- **Teplota:** Udržujte teplotu vody ve vířivce maximálně 40 °C. Vyšší teploty mohou zatěžovat kardiovaskulární systém. Pokud teplota překročí 40 °C, opusťte vířivku a okamžitě kontaktujte svého prodejce. Doporučuje se, aby teplota vody nepřekročila normální tělesnou teplotu (cca 37,5 °C).
- **Zdravotní stav:**
 - Jedinci s cukrovkou, vysokým krevním tlakem, srdečními chorobami nebo jinými kardiovaskulárními problémy by se měli před použitím poradit s lékařem.
 - Pro snížení kontaminace a zdravotních rizik se před vstupem do vířivky osprchujte mýdlem a vodou.
 - Každý, kdo má otevřené rány nebo jakoukoli formu infekce, by neměl vířivku používat.
 - Horká voda může být ideálním prostředím pro bakterie, zvláště pokud není správně udržována hladina dezinfekčního prostředku.
 - Těhotné ženy by se před použitím vířivky měly vždy poradit se svým lékařem.
- **Doba namáčení a chlazení:** Omezte sezení ve vířivce na 15–20 minut. Některé vířivky mají ochlazovací sedátko. Pokud vám začne být příliš teplo, posadte se na chladící sedadlo a nechte své tělo vychladnout. Jakmile se budete cítit pohodlně, můžete pomalu znovu vstoupit do vody. Sezení v lázních s hruďníkem nad hladinou vody pomáhá zkrátit čas potřebný k ochlazení. Vyhněte se dlouhodobému vystavení vodě nad normální tělesnou teplotou, může to být nebezpečné.
- **Užívání alkoholu a léků:** Konzumace alkoholu ve vířivce nebo v jejím okolí je vysoce nebezpečné. Nikdy nepoužívejte skleněné nádoby v blízkosti vířivky. Alkohol zvyšuje riziko utonutí. Každý, kdo užívá léky, by se měl před vstupem do vířivky poradit se svým lékařem.
- **Bezpečnost dětí:** Děti by neměly používat vířivku bez dozoru.
- **Prevence uklouznutí:** Při vstupu a výstupu z vířivky buďte vždy opatrní, protože mokré nebo nerovné povrchy mohou být kluzké. Používejte madla a protiskluzové povrchy, abyste snížili riziko pádu. V některých případech mohou být nutné schody pro usnadnění vstupu a výstupu.
- **Elektrické spotřebiče:** Nikdy neumístujte žádná elektrická zařízení do vzdálenosti 2 metru od vířivky.
- **Povětrnostní podmínky:** Nepoužívejte ani neprovozujte vířivku za nepříznivých povětrnostních podmínek, jako jsou bouřky, cyklóny nebo elektrické bouře.
- **Větrání:** Pokud není prostor vířivky řádně větraný, uživatelé mohou pociťovat podráždění krku. Zajistěte, aby byla vířivka instalována v dobře větraném prostoru, zejména pokud je uzavřený.
- **Chemikálie:** Chemikálie jsou nezbytné pro udržení čisté vody, zabránění růstu bakterií a prodloužení životnosti vířivky a jejich součástí. Pokud se však používají v koncentrovaných

18

Elektrická instalace

- Elektrické napájení vaší nové vířivky musí být ve vyhrazeném okruhu bez jiných spotřebičů nebo zásuvek, které by se o energii dělily. Poškození způsobené nesprávným proudem NEBUDE kryto zárukou. Elektrické připojení konzultujte s kvalifikovaným elektrikářem.
- Ujistěte se, že je vaše nová vířivka řádně uzemněna. Hlavní napájecí zdroj musí obsahovat vysoce citlivý proudový chránič (RCD). Doporučuje se 30 mA ochrana proti úniku.

Vyberte prosím vhodnou velikost kabeláže:

Výkon (KW)	2.1	2.5	2.8	3.2	3.5	4.4	5.3	6.2	7,0	7.9	8.8
Vzdálenost produktu											
6-11 metrů	2.5	2.5	2.5	2.5	4	4	6	10	10	10	10
11-15 metrů	2.5	2.5	2.5	4	4	4	6	6	10	10	10
15-20 metrů	4	4	4	4	6	6	10	10	10	16	16

Údržba

Vlastnit vířivku je příjemné, relaxační a terapeutické, ale je důležité o ni pečovat, aby zůstala ekonomická a v dobrém stavu – a vy se vyhnuli zbytečným a předčasným nákladům na opravy. Níže najdete jednoduchý návod, jak na to.

Naplnění

1. Před naplněním vířivky zkontrolujte a utáhněte všechny konektory, protože se mohou během přepravy uvolnit.
2. Zkontrolujte a ujistěte se, že všechny zpětné ventily jsou v otevřené poloze.
3. Zkontrolujte, zda je vypouštěcí ventil uzavřen.
4. Ujistěte se, že všechny trysky jsou v otevřené poloze. Otáčením po směru hodinových ručiček otevřete trysky.
5. Naplňte vířivku vodou. Naplňte přes filtr, aby nedošlo k ucpaní čerpadel.
6. Naplňte vodu, dokud nedosáhne požadované hladiny.

20

Poznámka: Abyste předešli poškození součástek, NEPLNĚTE do vířivky horkou vodu nad 40 °C.

Vypouštění

Pokud používáte vířivku pouze jednou nebo dvakrát týdně, bude vypouštění méně časté než u těch, kteří je používají třikrát nebo vícekrát týdně. Proto se doporučuje vypouštět vířivku alespoň každé 3 měsíce.

Vypouštěcí ventil je umístěn v přední části spodní základny. Pokyny pro odvodnění jsou následující:

1. Sejměte kryt vypouštěcího ventilu otáčením proti směru hodinových ručiček.
2. Připojte hadici k vypouštěcímu ventilu (průměr hadice: 3/4" nebo 19,04 mm).
3. Vytáhněte a odšroubujte, dokud nezačne vytékat voda.

Poznámka: Před vypouštěním se ujistěte, že je vypnuté napájení. Na poškození způsobené chodem nasucho se záruka nevztahuje.

Instrukce ovládacího panelu

Informace o ovládání ovládacího panelu naleznete v uživatelské příručce řídicího systému a ve Stručném návodu k obsluze.

Instrukce používání trysek

Trysky jsou hlavní komponenty zodpovědné za masáž. Proud vody můžete upravit otáčením trysky.

- Otočením krytu trysky ve směru hodinových ručiček asi o 1/4 otáčky otevřete trysky.
- Otočením krytu trysky proti směru hodinových ručiček asi o 1/4 otáčky trysky zavřete.

Poznámka: Některé trysky a vzduchové trysky nejsou nastavitelné. Neotáčejte těmito tryskami silou, mohlo by dojít k poškození.

Návod k ovládání vzduchových trysek

- Ovládání vzduchu ovlivňuje tlak vašich trysek přidáním vzduchu. Na vířivce můžete mít více než jedno ovládání vzduchu, z nichž každé bude spojeno se specifickou skupinou trysek. Otevřením ovládání vzduchu bude do proudu vody nasáváno více vzduchu.
- Když otočíte ovladačem vzduchu ve směru hodinových ručiček, sníží se výkon masážních trysek.
- Když jej otočíte proti směru hodinových ručiček, zvýší se výkon masážních trysek.

Poznámka: Pro lepší účinnost vytápění vypněte ovládání vzduchu. Vzduchový ventilátor může snížit teplotu vody ve vířivce.

Návod k odvádění vody

Vodní převaděč je část, která upravuje sílu masáže. Otáčením převaděče vody se ovládá průtok vody mezi tryskami. Otočením upravíte masážní sílu různých skupin trysek.

VODNÍ HOSPODÁŘSTVÍ A ÚDRŽBA

Vezměte prosím na vědomí, že tyto pokyny jsou určeny jako obecný návod pro udržení kvality vody ve vířivce. Před provedením jakékoli akce se prosím poraďte se svým místním specialistou na vířivky ohledně vhodného množství dezinfekčního prostředku a vhodných postupů podle kapacity vířivky.

- Nikdy byste neměli používat nekvalitní chemikálie nebo nekompatibilní zařízení, protože to může způsobit poškození.
- Na chemikálie se záruka nevztahuje.
- Nechte vodu alespoň jednou měsíčně otestovat odborníkem. Také se doporučuje, aby uživatel testoval vodu každý týden. Při přidávání chemikálií rozčeťte vodu po dobu 20–30 minut a zajistěte, aby se všechny látky úplně rozpustily.

Účinek a úprava pH

- Nízké pH (pod 7,2) způsobuje špatné fungování sanitacních prostředků, zvyšuje riziko koroze povrchů a součástí a může způsobit podráždění kůže a očí.
- Pokud je pH vysoké (nad 7,6), dezinfekční prostředky na bázi chlóru ztrácejí účinnost; voda se může zakalit a na povrchu vířivky a topných tělesech se může objevit vodní kámen.

POZOR! Úroveň pH měří kyselost/zásaditost vody:

- Alkalita: Hodnoty nad 7 jsou alkalické; pod 7 jsou kyselé.
- Doporučuje se rozmezí pH mezi 7,2 a 7,6.

VAROVÁNÍ: Ujistěte se, že je udržována správná úroveň pH. Na jakékoliv poškození způsobené nesprávným pH se záruka nevztahuje.

Úprava pH

- Denně kontrolujte pH vody ve vířivce pomocí pH testeru (není součástí dodávky). Pokud je pH mimo doporučený rozsah, vířivku nepoužívejte. Počkejte dvě hodiny a test opakujte.
- Pokud pH zůstává nesprávné, spusťte čerpadlo na další 2 hodiny a znovu zkontrolujte.
- Pokud je to stále nesprávné: Odkryjte kryt vířivky a otestujte znovu po přidání vhodného pH nebo alkality/okyselující chemikálie (používejte pouze podle doporučení). Dobře promíchejte a po 20 minutách znovu otestujte.

21

22

Dezinfekce vody

- Dezinfekce je životně důležitá pro zničení řas, bakterií a dalších patogenů ve vodě. Nadměrné používání dezinfekčního prostředku však může vést k podráždění kůže/očí.
- **Tablety bromidu:** Bezpečné a vhodné k použití. Umístěte do předfiltru; postupně se rozpouští.
- Denně kontrolujte hladiny zbytkového bromidu pomocí testovací sady. Ideální úroveň: 2,2–3,3 ppm

Dezinfekce ozónem

- Ozon (O₃) je silný dezinfekční prostředek bez zápachu.
- Většina vířivek je vybavena 1–2 generátory ozonu.
- Systém automaticky vstřikuje ozon do vody ve vířivce pomocí trysek.
- Ozon by se měl uvolňovat jednou denně. Doporučená dezinfekce ozónem je 1x denně v trvání 1–2 hodiny.
- Životnost generátoru ozónu závisí na používání a měla by být pravidelně kontrolována.

Demontáž a instalace filtru

Vyjmutí kazety a filtru:

- Otevřete kryt kazety na horní straně.
- Odstraňte kryt filtru a otáčením proti směru hodinových ručiček vyjměte papírový filtr.
- Při instalaci kazetového filtru postupujte v opačném pořadí.

Demontáž dvojité přední přístupové filtrů:

- Zvedněte přední panel a vytáhněte mřížku do strany.
- Otáčením proti směru hodinových ručiček vyjměte papírový filtr.
- Chcete-li nainstalovat dvojité přední přístupové filtry, postupujte v opačném pořadí.

Demontáž velkého předního zarážkového filtru:

- Odstraňte horní kryt.
- Otáčením proti směru hodinových ručiček vyjměte papírový filtr.
- Chcete-li nainstalovat přední zarážkový filtr, postupujte v opačném pořadí.

Když se vaše vířivka nepoužívá

Pokud se chystáte pryč na dobu delší než 2 měsíce, doporučujeme vířivku vypnout a vypustit. Je důležité pamatovat na to, abyste nechali kryt pro ochranu vířivky, i když je prázdná. Pokud se chystáte na několik dní nebo týdnů pryč, nevyplňte vířivku úplně. Sníže teplotu na 15 °C, aby filtrační cykly stále fungovaly, ale vířivka netopila.

- **3-5 dní:** Upravte pH vody (podrobnosti naleznete v části údržba vody), přikryjte vířivku. Při opětovném použití vířivky zkontrolujte a případně upravte pH vody.
- **5-14 dní:** Nastavte nejnižší teplotu nebo režim spánku. Upravte pH vody (podrobnosti naleznete v části údržba vody), přikryjte vířivku. Při opětovném použití vířivky zkontrolujte a případně upravte pH vody.
- **Více než 15 dní:** Vypněte napájení, otevřete vypouštěcí ventil a zcela vypustte vířivku. Vyjměte filtr, udržujte vířivku v suchu a přikryjte ji.

Odstraňování problémů

Problém	Možné příčiny	Řešení
Na LCD displeji se zobrazí chybová zpráva; vířivka přestane fungovat	Řídicí systém má funkci digitální diagnostiky, která přestane fungovat, pokud je ve vířivce něco v nepořádku, a po vyřešení problému se restartuje.	Zkontrolujte prosím chybové hlášení v příručce k řídicímu systému a poté kontaktujte svého místního prodejce, aby provedl údržbu.
Vířivku nelze spustit v žádném režimu	Napájení je vypnuté	Zkontrolujte, zda je zapnutý vypínač nebo stykač.
	Ovládací panel je uzamčen	Zkontrolujte, zda je ovládací panel uzamčen, a v případě potřeby jej odemkněte.
	Selhání elektrického ovládání (displej zobrazuje chybové hlášení)	Zkontrolujte chybový kód v návodu k ovládání a poté kontaktujte svého prodejce, aby provedl údržbu.
Vířivka se automaticky zapíná	Funkce filtrace je spuštěna	Toto je pouze automatická funkce systému; není nutná žádná údržba. Po dokončení funkce se systém automaticky zastaví. Není vyžadována žádná akce uživatele.
	Funkce topení běží	
	Funkce ochrany proti zamrznutí je spuštěna	
Vodní čerpadlo se při používání vířivky automaticky vypne	Doba chodu čerpadla je delší než výchozí maximální doba chodu systému	Opětovným stisknutím tlačítka pumpy pumpu restartujete. Povolte čerpadlo.
	Motor čerpadla je v režimu ochrany proti přehřátí	Zastavte chod čerpadla na více než 1 hodinu, dokud

23

24

		nevychladne, a poté čerpadlo spustte.
Vířivka se zapne po úplném naplnění vodou, poté jsou také zapnutá vodní čerpadla, ale z trysek nevytéká žádná voda	Trysky jsou uzavřeny	Zkontrolujte, zda jsou trysky uzavřeny; pokud ne, otevřete je.
	Vodní čerpadlo nasává vzduch	Opakovaně se snažte spustit vodní čerpadla. Pokud stále nefunguje, otevřete víko vodní pumpy, aby se uvolnil vzduch, a poté jej pevně přišroubujte. Mezitím prosím naplňte vodu přes filtr, abyste zabránili nasávání vzduchu vnitřkem vodní pumpy.
Vířivka se pomalu vyhřívá	Nastavena nízká teplota	Znovu nastavte teplotu.
	Filtrační vložka je špinavá	Čištění nebo výměna filtru.
	Žádný kryt na vířivce, což způsobuje tepelné ztráty	Nasaďte kryt na vířivku, když ji nepoužíváte.
	Tryska připojená k oběhovému čerpadlu je uzavřena	Otevřete trysky.
	Ohřívač je rozbitý	Obrat se na místního prodejce, aby provedl údržbu.
Masážní síla trysek je malá	Trysky nejsou zcela otevřeny	Otevřete trysky.
	Trysky jsou ucpané	Otočte kryt trysky proti směru hodinových ručiček až na jeho konec a poté jej silou proti směru hodinových ručiček vyšroubujte ven. Zkontrolujte, zda uvnitř trysek nejsou cizí tělesa.
	Vzduchový ventil je vypnutý	Otevřete spínač vzduchového ventilu.
	Je zavřený vodní ventil, který zabráňuje vytékání vody	Otočte ventily, které regulují vodní proudy.

25

- Nečistoty očistěte mokrým hadříkem. Můžeme použít neutrální saponát a měkký ručník. Nepoužívejte čisticí prostředky obsahující ketonovou nebo chlorovanou vodu.
- Pokud má povrch nějaké lehké škrábance, vyleštěte jej brusným papírem o zrnitosti 2000 a ošetřete zubní pastou, poté znovu vyleštěte měkkým ručníkem.
- Nečistěte prosím povrch vířivky žádnými chemickými roztoky/rozpuštědly nebo abrazivními nástroji. Nepoškrábejte povrch vířivky tvrdými materiály nebo nožem.
- Nečistěte povrch vířivky lakem na nehty, odstraňovačem laku na nehty, kapalinou pro chemické čištění, acetonem, odstraňovačem barev atd., protože by došlo k poškození povrchu.
- Povrch vaší vířivky nesmí přijít do kontaktu s cigaretovými nedopalky ani jinými zdroji tepla s teplotou vyšší než 70 °C.

Údržba ovládacího panelu

- Nedotýkejte se ovládacího panelu tvrdými předměty, aby nedošlo k poškrábání.
- Vyhnete se přímému slunečnímu záření na ovládacím panelu.
- Udržujte ovládací panel v suchu, když vířivku nepoužíváte.

Údržba polštářů

- Vyčistěte polštář neutrálním čisticím prostředkem.
- Nadměrný chloridový prací prostředek a ozon způsobuje vyblednutí polštáře. Po použití vířivky sejměte polštář. Zacházejte s ním opatrně, protože se na něj nevztahuje záruka.

Údržba krytu

- Vyčistěte kryt mýdlovou vodou. Zajistěte, aby se mýdlová voda nedostala dovnitř vířivky.
- Nechytějte ani netahejte za spojovací článek uprostřed krytu; snadno se rozbije.
- Nesedte, neležte ani neskákejte na kryt. Na takto způsobené škody se nevztahuje záruka.

Poznámka: Po použití nebo čištění vířivku zakryjte. Ponecháte-li vířivku odkrytou, může dojít ke ztrátě záruky na vířivku a její příslušenství.

Údržba filtru

Filtry byste měli pravidelně čistit. Jednou týdně byste měli vyjmout filtry a odstranit z nich všechny nečistoty pomocí vysokotlaké hadice. Jednou za měsíc byste měli namočit filtry do roztoku na čištění filtrů a poté je opláchnout vysokotlakou hadicí.

	z trysek	
	Ovládací ventil vodního čerpadla není zcela otevřen	Zkontrolujte, zda je ventil vodního čerpadla zcela otevřen.
Tryskající voda je někdy silná, někdy slabá	Sání nebo filtr jsou ucpané, ovládací ventil vodního čerpadla není zcela otevřen	Zkontrolujte, zda v sání nebo filtru nejsou cizí tělesa a odstraňte je. Zkontrolujte, zda jsou oba ventily vodního čerpadla zcela otevřeny.

Aplikace dalších speciálních chemických přípravků

Kromě úpravy pH a výše uvedených metod dezinfekce existují některé čisticí prostředky, které lze použít:

- **PROTI VODNÍMU KAMENI:** Lze použít k prevenci/snížení srážení vápenatých solí, zejména v oblastech s tvrdou vodou. Používejte jednou týdně a při každé výměně vody.
- **PROTI ŘASÁM:** Zabraňuje růstu řas ve vodě. Používejte jednou týdně a při každé výměně vody.
- **PROTI PĚNĚNÍ:** Zabraňuje tvorbě pěny ve vodě. Používejte jednou týdně a při každé výměně vody.

VAROVÁNÍ

Přidejte přesné množství do vody, jak je uvedeno. Produkty nemíchejte, abyste předešli možným reakcím. Při manipulaci s těmito produkty nekuřte – mohou být hořlavé. Pokud je někdo ve vířivce, nepřidávejte do vody chemické přípravky. Nádoby uchovávejte dobře uzavřené na suchých, dobře větraných místech a uchovávejte tyto produkty mimo dosah dětí. Nevdechujte chemické produkty a dejte pozor, aby se nedostaly do kontaktu s očima, nosem nebo ústy. Po použití si umyjte ruce. V případě nehody nebo požití postupujte podle nouzových pokynů na štítku produktu.

Čištění a údržba

Vlastnit vířivku je relaxační a terapeutické, ale ještě důležitější je o ni správně pečovat, aby zůstala v dobrém stavu a byla ekonomická, a vy se tak vyhnuli zbytečným předčasným nákladům na opravy. Níže je uveden jednoduchý postup, který je třeba dodržovat.

Čištění a údržba povrchu

Povrch vířivky je vyroben z vysoce lesklého akrylátu. Měl by být udržován v čistotě. Vnější povrch vířivky doporučujeme vyčistit jednou týdně a po vypuštění vyčistit celou vířivku. Zde je podrobný postup:

Čištění filtru

1. Vypněte napájení.
2. Vyjměte kazetu; než tak učiníte, přečtěte si prosím pokyny k vyjmutí filtru.
3. Vyjměte filtr z kazety otáčením proti směru hodinových ručiček.
4. Vyčistěte kazetu vodou, dokud nezůstanou žádné zbytky.
5. Postříkejte filtr vodou shora dolů pod úhlem 45° (viz fotografie na pravé straně).
6. Po vyčištění nainstalujte filtr a vložku.
7. Zapněte napájení.

Varování: Když vyjmete filtry, VŽDY se před tím ujistěte, že je napájení vaší vířivky vypnuté. Pokud necháte zařízení zapnuté a do čerpadla nebo ohřívače se dostane nějaký předmět, který způsobí jejich poruchu, nebude tato porucha kryta zárukou.

Záruční výkon a krytí

Naše společnost poskytuje omezenou 2letou záruku pokrývající výrobní vady a závady přímo přisouzené designu, materiálu nebo zpracování produktu. Tato záruka se vztahuje pouze na produkty používané výhradně pro soukromé, osobní a nekomerční účely.

Veškeré opravy nebo výměny neprodlužují ani neobnovují původní záruční dobu. Toto je záruka pouze na díly, pokud není písemně uvedeno jinak. V případě jakýchkoli záručních reklamací souvisejících s poškozením při přepravě musí být poškození nahlášeno do 24 hodin od doručení s řádnou dokumentací a fotografiemi a potvrzeno řidičem dodávky. Jakékoli neautorizované pokusy o opravu nebo nedodržení popsaného postupu může vést ke ztrátě záruky.

Následující položky jsou výslovně vyloučeny z jakéhokoli záručního krytí:

- Jakékoliv škody způsobené nesprávným použitím nebo údržbou, která není v souladu s návodem k použití.
- Škody způsobené jakýmkoliv lidským faktorem.
- Jakékoliv změna produktu bez povolení výrobce.
- Poškození nebo změna barvy povrchu pláště v důsledku korozivních nebo nesprávných čisticích prostředků.
- Poškození v důsledku nesprávné přepravy nebo skladování.
- Škody způsobené přírodními živly.
- Přirozené vyblednutí barvy.

Omezená záruka: Výrobce si vyhrazuje právo na konečné vysvětlení.

Poznámka ke zvláštnímu prohlášení: Omezená záruka se vztahuje na období od data podstatného dokončení výroby výrobcem.

26

Proklæring om egenskaber

- Jedinejny identifikační kód typu produktu:
Číslo produktu (viz spodní část stránky)
- Zamýšlené použití:
Vířivá vana pro domácí použití, pro účely wellness/osobní hygieny
- Dovozce:
Beliani GmbH
Haldenstrasse 5
6340 Baar
Švýcarsko
Telefon +41 43 5082233
- Autorizovaný zástupce: %
- Systém pro posuzování a ověřování stálosti vlastností: Systém 1
 - Harmonizované standardy:
EN55014-1:2006/+A1:2009/+A2:2011
EN55014-2:2015 EN61000-3-12:2011
EN61000-3-11:2000
Směrnice EMC (2014/30/EU)
EN60335-2-60:2003+A1:2005+A2:2008+A11:2010+A12:2010
EN60335-1:2012+AC:2014+A11:2014
EN62233:2008
Směrnice o nízkém napětí (2014/35/EU)
 - Evropský dokument pro hodnocení: %
Evropské technické posouzení: %
Orgán pro technické posouzení: %
Notifikovaná osoba: %
- Deklarované výkony:

Základní vlastnosti	Výkon	Harmonizovaná technická specifikace
Bezpečnost uživatele	Vyhovující	EN 60335-2 EN 60335-1 EN 62233
Provoz (normální a abnormální)	Vyhovující	
Směrnice o nízkém napětí	Vyhovující	
Elektromagnetická kompatibilita (EMC)	Vyhovující	EN 55014-1 EN 55014-2 EN 61000-3-12

29

		EN 61000-3-11
--	--	---------------

- Vhodná technická dokumentace nebo specifická technická dokumentace:
Číslo zprávy: 60445226 001 TÜV Rheinland
Číslo zprávy: 60445226 001 TÜV Rheinland

Výkon výše uvedeného produktu odpovídá deklarovanému výkonu. Za vyhotovení Prohlášení o vlastnostech v souladu s Nařízením (EU) č. 305/2011 odpovídá výhradně výše uvedený dovozce.

Dodatek

Číslo artiklu	Typ produktu
37979 (E-3515) CALIMA	Vířivá vana
37981 (M-530D) VILLARRICA	Vířivá vana
37983 (E-310S) MARFIL	Vířivá vana

Podepsáno jménem dovozce:
Michael Widmer, generální ředitel

6340 Baar, 20.05.2024

30

Dansk (DK)



Brugsanvisning:

Sørg for at læse denne brugsanvisning omhyggeligt før brug.

Med korrekt forberedelse og pleje vil din spa give mange års nydelse og afslapning. Denne manual er designet til at give alle de væsentlige oplysninger om klargøring, installation, pleje og drift af din nye spa. Tag dig tid til at læse hele manualen for at sikre, at din spa bruges korrekt og sikkert.

Hovedfunktion og produktkarakteristika:

- Hydroterapi funktion:** Spaen er udstyret med specielle hydroterapi sæder, ergonomisk designet til at støtte kroppen. Juster massagetrykket ved at ændre massageindstillingerne, vandaflederen og luftregulatoren.
- Luftblæserterapi funktion:** Aktivér luftblæseren for at frigive en stor mængde luftbobler gennem specialdesignede luftstråler, hvilket skaber en boblende massageoplevelse, der er både terapeutisk og sjov.
- Opvarmningsfunktion:** Spaen opvarmer vandet og giver brugerne mulighed for at indstille den ønskede temperatur. Varmesystemet holder denne temperatur, hvilket sikrer tilgængelighed året rundt.
- Filter- og cirkulationsfunktion:** Spaen har et filtreringssystem med integreret filter og ozonsterilisering. Mens det filtrerer urenheder ud, aktiverer systemet automatisk filtercyklussen for at eliminere bakterier ved hjælp af ozon genereret af ozonenheden.
- Belysning:** Undervands LED-belysning forbedrer spaens stemning. Styret via panelet oplyser belysningsystemet ikke kun vandet, men skaber også en romantisk og beroligende stemning.

Vigtig erklæring: Alle ovennævnte funktioner er generelle beskrivelser af vores spa produkter. De specifikke funktioner i din spa kan variere. Bekræft venligst detaljerne, før du foretager et køb. Producenten forbeholder sig retten til at ændre eller forbedre produkter uden forudgående varsel og uden at pådrage sig nogen forpligtelse.

Vigtige instruktioner

Det er vigtigt at gøre dig bekendt med den generelle sikkerhed i spa-poolen og vandbehandlingsprocedurer. Sørg for, at du forstår følgende oplysninger:

- Krav til dræning:** Sørg for, at spaen ikke installeres i et lavt eller oversvømmelsestruet område, da dette kan forårsage fejl i elektrisk udstyr eller udgøre en fare for spabrugere.
- Risiko for elektrisk stød:** Som med alle elektriske apparater er der risiko for elektrisk stød. Maskinrummet, der er placeret inde i kabinettet, rummer kontrolenheden, der driver

31

spaen. Dette kabinet skal altid forblive lukket. Hvis der kommer vand ind i maskinrummet, skal du slukke for spaen ved strømforsyningen og sikre dig, at alle komponenter er helt tørre, før du forsøger at genstarte den.

- Temperatur:** Hold spavandets temperatur ikke højere end 40°C. Højere temperaturer kan belaste det kardiovaskulære system. Hvis temperaturen overstiger 40°C, skal du forlade spaen og straks kontakte din forhandler. Det anbefales, at vandtemperaturen ikke overstiger normal kropstemperatur (ca. 37,5°C).
- Medicinske tilstande:**
 - Personer med diabetes, forhøjet blodtryk, hjertesygdomme eller andre kardiovaskulære problemer bør konsultere en læge, før de bruger spaen.
 - For at reducere forurening og sundhedsrisici skal du bruge med sæbe og vand, før du går ind i spaen.
 - Enhver med åbne sår eller nogen form for infektion bør ikke bruge spaen.
 - Varmt vand kan være et ideelt miljø for bakterier, især hvis niveauet af desinfektionsmiddel ikke holdes korrekt.
 - Gravide kvinder bør altid konsultere deres læge, før de bruger et spabad.
- Iblødsætning og afkølingstid:** Begræns sessioner i spaen til 15-20 minutter ad gangen. Nogle spabade har et kølesæde. Hvis du begynder at føle dig for varm, så sæt dig på kølesædet og lad din krop køle af. Når du føler dig godt tilpas, kan du langsomt komme ind i vandet igen. At sidde i en spa med brystet over vandlinjen hjælper med at reducere den tid, det tager at køle af. Undgå længere tids udsættelse for vand over normal kropstemperatur, da det kan være farligt.
- Alkoholbrug og medicin:** Indtagelse af alkohol i eller omkring spaen er meget usikker. Brug aldrig glasbeholdere i nærheden af spaen. Alkohol øger risikoen for at drukne. Enhver, der tager medicin, bør konsultere deres læge, før de går ind i spaen.
- Børnesikkerhed:** Børn bør ikke bruge spaen uden opsyn.
- Undgå at du glider:** Vær altid forsigtig, når du går ind og ud af spaen, da våde eller ujævne overflader kan være glatte. Brug håndlister og skridsikre overflader for at mindske risikoen for fald. I nogle tilfælde kan det være nødvendigt med trin for at gøre ind- og udstigning lettere.
- Elektriske apparater:** Placer aldrig elektriske enheder inden for 2 meter fra spaen.
- Vejrforhold:** Brug eller betjen ikke spaen under hårde vejrforhold, såsom tordenvejr, cykloner eller elektriske storme.
- Ventilation:** Hvis spa-området ikke er ordentligt ventileret, kan brugerne opleve halsirritation. Sørg for, at spa-poolen er installeret i et godt ventileret område, især hvis det er lukket.
- Kemikalier:** Kemikalier er afgørende for at bevare rent vand, forhindre bakterievækst og forlænge levetiden af din spa og dens komponenter. Men når de bruges i koncentrerede former (såsom visse husholdningskemikalier), kan de være farlige. Håndter altid spa kemikalier med forsigtighed og følg sikkerhedsvejledningen. Se produktets etiket og

32

sikkerhedsdokumentation. Mere detaljerede oplysninger om sikker brug af kemikalier er tilgængelig i afsnittet om kemikaliehåndtering.

Spa installation

Brug altid en kvalificeret fagmand til at installere din spa. Producenten er ikke ansvarlig for skader forårsaget af forkert installation eller arbejde udført af ukvalificerede personer.

Opstilling og placering af spaen

- Spabadet skal placeres, så det sikres let adgang til service og vedligeholdelse. Det meste udstyr er placeret på forsiden af spaen og skal forblive tilgængeligt for strømtilslutning og servicering.
- Det anbefales at efterlade mindst 1,2 meters frigang rundt om alle fire sider af spaen til fremtidig adgang.
- Ejeren er ansvarlig for, at installationen er gennemført korrekt, inden service påbegyndes.
- Alt bærbart spa-udstyr kræver ventilation. Bloker ikke ventilationsåbningerne i kabinettet.
- Placer spaen væk fra træer for at forhindre blade i at blokere filteret.

Vigtig bemærkning:

Efterlad ikke din spa i direkte sollys i længere perioder. Dette kan gøre din garanti ugyldig. Spaen inkluderer isolering over skallen og rørsystemet. Hvis den udsættes for direkte sollys, kan overfladetemperaturen stige op til 200°C, hvilket kan forårsage skade på spaen.

Det anbefales altid at bruge det hårde overtræk, når spaen ikke er i brug, og at placere spaen på et sted, der er beskyttet mod ekstremt og hårdt vejr. Hvis du efterlader spaen udekkeet og blottet, kan din garanti på spaen og dens tilbehør ugyldiggøres.

Beliggenhedskrav

- Før installationen er det tilrådeligt at konsultere en fagmand for at bekræfte den passende placering til spaen.
- Undgå at placere spaen, hvor vand kan strømme ind i det elektriske udstyrsrum. Sørg også for, at den er beskyttet mod direkte kontakt med meget fugtige områder.
- Placer spaen vandret, og sørg for, at hele bunden af enheden er på en glat, flad og plan overflade, der er i stand til at bære vægten, når den er fyldt med vand, plus vægten af de badende (kræver en vægtpacitet på 1000 kg).
- Spaen må ikke placeres på en buet, blød, sandet overflade eller blokke.

33

Dræner dit SPA

Hvis du kun bruger din SPA en eller to gange om ugen, vil dræningen være sjældnere end for dem, der bruger den tre eller flere gange om ugen. Derfor anbefales det at dræne SPA'en mindst hver 3. måned.

Din dræventil er placeret foran på den nederste base. Afløbsinstruktioner er som følger:

1. Tag dækpladen af afløbsventilen af ved at dreje mod uret
2. Tilslut din slange til afløbsventilen (slangediameter: ¾" eller 19,04 mm)
3. Træk ud og skru af, indtil vandet begynder at strømme

Note: Sørg for, at strømmen er slukket, før du tømmer den. Skader forårsaget af tørsløb vil ikke være dækket af garantien.

SPA Kontrolpanel Instruktion

For betjening af SPA-kontrolpanelet, se venligst brugermanualen til kontrolsystemet og Hurtigbetjeningsvejledningen.

Dyser instruktion

Dyser er hovedkomponenterne, der er ansvarlige for massage. Du kan justere vandstrømmen ved at dreje strålefladen.

- Drej dyser cover med uret ca. 1/4 omgang for at åbne dyserne.
- Drej dyser cover mod uret ca. 1/4 omgang for at lukke dyserne.

Note: Nogle dyser og luftdyser er ikke justerbare. Drej ikke disse dyser med kraft, da det kan forårsage beskadigelse.

Instruktion til luftdyser kontrol

- Luftregulatoren påvirker trykket i dine dyser ved at tilføje luft. Du kan have mere end én luftregulator på din spa, som hver vil være tilknyttet en bestemt gruppe af dyser. Ved at åbne luftregulatoren vil der blive trukket mere luft ind i vandstrømmen.
- Når luftregulatoren drejes med uret, vil den reducere massagedysernes kraft.
- Når den drejes mod uret, vil den øge massagedysernes kraft.

Note: For bedre opvarmningseffektivitet skal du slukke for luftregulatorne. Luftblæseren kan køle spavandets temperatur ned.

35

Elektrisk installation

- Strømforsyningen til din nye spa skal være på et dedikeret kredsløb uden andre apparater eller stikkontakter, der deler strømmen. Skader forårsaget af forkert strømstyrke VIL IKKE være dækket af garantien. Kontakt en kvalificeret elektriker for elektrisk tilslutning.
- Sørg for, at din nye spa er korrekt jordet. Hovedstrømforsyningen skal omfatte en højfølsom reststrømsenhed (RCD). En 30mA lækagebeskytter anbefales.

Vælg venligst en passende ledningsstørrelse:

Effekt (KW)	2.1	2.5	2.8	3.2	3.5	4.4	5.3	6.2	7.0	7.9	8.8
Produktafstand											
6 - 11 meter	2.5	2.5	2.5	2.5	4	4	6	10	10	10	10
11 - 15 meter	2.5	2.5	2.5	4	4	4	6	6	10	10	10
15 - 20 meter	4	4	4	4	6	6	10	10	10	16	16

Spa vedligeholdelse

At eje en spa er behageligt, afslappende og terapeutisk, men det er vigtigt at vedligeholde din investering for at sikre, at den forbliver besparende og i god stand - så du undgår unødvendige, for tidlige reparationsomkostninger. Nedenfor er en enkel trin-for-trin guide til at følge.

Fylder din SPA

1. Inden du fylder din spa, skal du kontrollere og spænde alle strømførende stik, da de kan blive løse under transport.
2. Kontroller og sørg for, at alle kontraventiler er i åben position.
3. Kontroller, at dræventilen er lukket.
4. Sørg for, at alle dyser er i åben position. Drej med uret for at åbne dyserne.
5. Fyld dit SPA med vand. Fyld gennem filteret for at undgå luftblokeringer i pumperne.
6. Fyld vandet op, indtil det når den nødvendige vandstand.

Note: For at undgå beskadigelse af komponenter må du IKKE fylde med varmt vand over 40°C i din SPA.

34

Vandafleder instruktion

Vannavlederen er den del, som justerer massasjestyrken. Ved å vri på vannavlederen kan du kontrollere vannstrømmen mellom dysene. Ved å vri på den kan du justere massasjestyrken for forskjellige dysegrupper.

SPA-VANDSTYRING & VEDLIGEHOLDELSE

Bemærk venligst, at disse instruktioner er beregnet som en generel vejledning til vedligeholdelse af spa-vandkvaliteten. Inden du foretager dig noget, skal du kontakte din lokale SPA-specialist for at få den passende mængde desinfektionsmiddel, der skal bruges, og passende procedurer baseret på kapaciteten af dit SPA.

- Du bør aldrig bruge kemikalier af dårlig kvalitet eller inkompatibelt udstyr, da dette kan resultere i skader.
- Kemikalier vil ikke være dækket af garantien.
- Få vandet testet af en fagmand mindst en gang om måneden. Det anbefales også, at vandet testes ugentligt af brugeren. Ved tilsætning af kemikalier blandes vand i 20-30 minutter og sikres, at alle stoffer er helt opløst.

Effekten og justeringen af pH

- Lav pH (under 7,2) får desinfektionsmidler til at fungere dårligt, øger korrosionsrisikoen for overflader og komponenter og kan forårsage hud- og øjenirritation.
- Hvis pH er høj (over 7,6), mister klorbaserede desinfektionsmidler effektivitet; vand kan blive grumset, og der kan forekomme afskalninger på spa-overflader og varmelegemer.

OPMÆRKSOMHED! pH-niveauet måler vandets surhedsgrad/alkalinitet:

- Alkalinitet: Værdier over 7 er alkaliske; under 7 er sure.
- Et pH-område mellem 7,2 og 7,6 anbefales.

ADVARSEL: Sørg for, at det korrekte pH-niveau opretholdes. Enhver skade forårsaget af forkert pH vil ikke være dækket af din SPA-garanti.

pH-justering

- Kontroller pH-værdien af spavandet dagligt ved hjælp af pH-testeren (medfølger ikke). Hvis pH er uden for det anbefalede område, må du ikke bruge SPA'en. Vent to timer og test igen.
- Hvis pH-værdien forbliver forkert, skal du køre pumpen i yderligere 2 timer og kontrollere igen.

36

- Hvis det stadig er forkert: Afdæk spa-coveret og test igen efter tilsætning af den passende pH-værdi eller alkalinitets-/forsurende kemikalie (brug kun som anbefalet). Bland godt, og test derefter igen efter 20 minutter.

Desinfektion af vandet

- Desinfektion er afgørende for at ødelægge alger, bakterier og andre patogener i vandet. Overforbrug af desinfektionsmiddel kan dog føre til hud-/øjenirritation.
- **Bromid tabletter:** Sikker og velegnet til brug. Placer i forfilteret; opløses gradvist.
- Kontroller resterende bromid niveauer dagligt med et testkit. Ideelle niveauer: 2,2-3,3 ppm

Desinfektion med ozon

- Ozon (O₃) er et kraftfuldt og lugtfrit desinfektionsmiddel.
- De fleste spabade er udstyret med 1-2 ozongeneratore.
- Systemet sprøjter automatisk ozon ind i spavandet via dyserne.
- Ozon bør frigives en gang om dagen. Anbefalet ozondesinfektion er én gang dagligt, varer 1-2 timer.
- Ozongeneratorens levetid afhænger af brugen og bør kontrolleres regelmæssigt.

Fjernelse og installation af filter

Fjernelse af patron og filter:

- Åbn patron coveret på oversiden.
- Fjern filter coveret, og drej mod uret for at fjerne papirfilteret.
- For at installere patronfilteret skal du udføre disse trin i omvendt rækkefølge.

Fjernelse af de dobbelte front adgangsfiltre:

- Løft frontpanelet; træk skærmen ud til siden.
- Drej mod uret for at fjerne papirfilteret.
- For at installere de dobbelte frontadgangsfiltre skal du udføre disse trin i omvendt rækkefølge.

Fjernelse af det store front adgangs stopfilter:

- Fjern topcoveret.
- Drej mod uret for at fjerne papirfilteret.
- For at installere det forreste adgangstopfilter skal du udføre disse trin i omvendt rækkefølge.

Når din spa ikke er i brug

Hvis du skal væk i en længere periode end 2 måneder, anbefales det, at du slukker for din spa og tømmer den. Det er vigtigt at huske at lade låget sidde på, selv når det er tomt for at beskytte skallen. Hvis du skal væk i et par dage eller uger, skal du ikke slukke helt for din spa. Skru temperaturen ned til 15 grader Celsius, så filtreringscyklusserne stadig fungerer, men spaen opvarmes ikke.

- **3-5 dage:** Juster pH og vandbehandling (se venligst afsnittet om vedligeholdelse af vand for detaljer), dæk spaen. Juster pH og vandbehandlingen, når du genbruger spaen.
- **5-14 dage:** Indstil den laveste temperatur eller dvaletilstand. Juster pH og vandbehandling (se venligst afsnittet om vedligeholdelse af vand for detaljer), dæk spaen. Juster pH og vandbehandlingen, når du genbruger spaen.
- **Mere end 15 dage:** Sluk for strømmen, åbn drænventilen og dræn spaen helt. Fjern filteret, hold spaen tør, og dæk spaen til.

Fejlfinding

Symptom	Mulige årsager	Løsning
Fejlmeddelelsen vises på LCD-skærmen; spaen holder op med at fungere	Styresystemet har en digital diagnosefunktion, som stopper med at virke, hvis der er noget galt i spaen, og det genstarter, når fejlfindingen er løst.	Kontroller venligst fejlmeddelelsen i kontrolsystemets manual, og kontakt derefter din lokale forhandler for at udføre vedligeholdelse.
Spa kan ikke starte i nogen tilstand	Strømmen er slukket	Kontroller, om strømafbryderen eller kontakten er tændt.
	Betjeningspanelet er låst	Kontroller, om kontrolpanelet er låst, og lås op om nødvendigt
	Elektrisk kontrolfejl (displayet viser fejlmeddelelse)	Tjek fejlkoden i kontrolmanualen, og kontakt derefter din forhandler for at udføre vedligeholdelsen.
Spa åbner automatisk	Filtreringsfunktionen kører	Dette er blot en automatisk funktion af systemet; ingen vedligeholdelse er påkrævet. Systemet stopper automatisk med at køre, når
	Opvarmningsfunktionen kører	

37

38

	Frostvæske-funktionen kører	funktionen er fuldført. Ingen brugerhandling påkrævet
Vandpumpen slukker automatisk, når du bruger spaen	Pumpens driftstid er mere end systemets standard maksimale driftstid	Tryk på pumpeknappen igen for at genstarte pumpen. Tillad pumpen.
	Pumpemotoren er i overophedningsbeskyttelses tilstand	Stop pumpen med at køre i mere end 1 time, indtil den er afkølet, og start derefter pumpen.
Spaen tænder efter helt vandfyldning, så er vandpumperne også tændt, men der kommer ikke vand ud fra dyserne	Jetflyene er lukkede	Kontroller, om dyserne er lukkede; hvis ikke, åbne dem
	Vandpumpen suger luft	Prøv gentagne gange at starte vandpumperne. Hvis det stadig ikke virker, skal du åbne låget på vandpumpen for at frigive luften og derefter skrue det fast. I mellemtiden skal du fylde vandet gennem filteret for at forhindre indersiden af vandpumpen i at suges luft
Spaen opvarmes langsomt	Lav temperatur indstillet	Genindstil temperaturen
	Filterpatron er snavset	Rengøring eller udskiftning af filter
	Ingen cover på spaen, hvilket forårsager varmetab	Sæt coveret på spaen, når det ikke er i brug
	Den stråle, der er forbundet til cirkulationspumpen, er lukket	Åbn dyserne
	Varmeapparatet er i stykker	Kontakt din lokale forhandler for at udføre vedligeholdelsen
Dysernes massagekraft er lille	Dyserne er ikke helt åbne	Åbn dyserne
	Dyserne er tilstoppede	Drej dysedækslet mod uret til dets ende, og tving det derefter mod uret for at spiralisere dyserne ud.

		Kontroller, om der er fremmedlegemer inde i dyserne.
	Luftventil lukket	Åbn luftventilkontakten.
	Vandventil lukket, hvilket forhindrer vand i at komme ud af dyserne	Drej ventilerne, regulering af vandstrålerne.
	Vandpumpens styreventil er ikke helt åben	Tjek om vandpumpens ventil er helt åben.
Dyser sprøjtevandet er nogle gange stærkt, nogle gange svagt	Suge eller filter er tilstoppet. Vandpumpens styreventil er ikke helt åben.	Kontroller, om suget eller filteret har fremmedlegemer indeni, og fjern dem. Tjek om begge vandpumpens ventiler er helt åbne.

Anvendelsen af andre specielle kemiske produkter

Udover pH-justering og de ovennævnte desinfektionsmetoder er der nogle rengøringsprodukter, som kan bruges i spavand:

- **ANTIKALKFRI:** Det kan bruges til at forhindre/reducere udfældning af calciumsalte (skala), især i områder med hårdt vand. Brug den en gang om ugen og hver gang vandet fornyes.
- **SPA ALGEDRIFT:** Forhindrer alger i at vokse i vandet. Brug den en gang om ugen og hver gang vandet fornyes.
- **ANTIHOAM:** Forhindrer skumdannelse i vandet. Brug den en gang om ugen og hver gang vandet fornyes.

ADVARSEL

Tilføj de nøjagtige mængder til vandet, som angivet. Bland ikke produkter for at undgå mulige reaktioner. Ryg ikke, mens du håndterer disse produkter - de kan være brandfarlige. Tilføj ikke kemiske produkter til vandet, hvis der er nogen i spaen. Opbevar beholderne tæt lukkede på tørre, godt ventilerede steder, og hold disse produkter væk fra børn. Indånd ikke kemiske produkter, og pas på ikke at lade dem komme i kontakt med øjne, næse eller mund. Vask hænder efter brug. Følg nedarvisningerne på produktetiketten i tilfælde af en ulykke eller indtagelse.

SPA rengøring og vedligeholdelse

39

40

At eje en spa er afslappende og terapeutisk, men endnu vigtigere er det vigtigt at passe ordentligt på det, for at holde det sundt og økonomisk og dermed undgå unødvendige for tidlige reparationsomkostninger. Detaljeret nedenfor er en enkel trin-for-trin procedure, der skal følges.

Spa overflade rengøring og vedligeholdelse

Spa-overfladen er lavet af højglans akryl. Det skal holdes rent. Vi foreslår at rense spaadets udvendige overflade en gang om ugen og rengøre hele spaen efter aftapning. Detaljerede trin som nedenfor:

- Rens snavset med et vådt håndklæde. Vi kan bruge et neutralt vaskemiddel og et blødt håndklæde. Brug ikke rengøringsmidler, der indeholder keton eller klorvand.
- Hvis overfladen har nogle lette ridser, bedes du polere den med sandpapir med korn 2000 og røre den op med tandpasta, og derefter polere den igen med et blødt håndklæde.
- Rengør venligst ikke spaens overflade med nogen kemisk opløsning/opløsningsmidler eller slibende værktøjer. Undgå at ridse spaens overflade med hårde materialer eller en kniv.
- Rengør venligst ikke spa-overfladen med neglelak, neglelakfjerner, rensesæbe, acetone, malingsfjerner osv., da det vil beskadige overfladen.
- Ingen cigaretspidser eller varmekilder over 70°C må røre din spa.

Vedligeholdelse af kontrolpanel

- Rør venligst ikke kontrolpanelet med hårde genstande for at undgå ridser.
- Undgå venligst direkte sollys på kontrolpanelet.
- Hold venligst kontrolpanelet tørt, når spaen ikke er i brug.

Vedligeholdelse af puder

- Rengør puden med neutralt rengøringsmiddel.
- For meget kloridopvaskemiddel og ozon vil få puden til at falme. Fjern venligst puden efter brug af spaen. Hånder det forsigtigt, da det ikke er dækket af garantien.

Vedligeholdelse af spacover

- Rengør coveret med sæbevand. Sørg for, at sæbevandet ikke kommer ind i spaen.
- Tag ikke fat i eller træk i forbindelsesledet i midten af coveret; den går let i stykker.
- Lad være med at sidde, ligge eller hoppe på coveret. Skader forårsaget af dette er muligvis ikke dækket af garantien.

Note: Tildæk venligst spaen efter brug eller rengøring. Hvis du efterlader spaen utildækket og blottet, kan din garanti på din spa og dens tilbehør ugyldiggøres.

41

Vedligeholdelse af filter

Du bør rense dine filtre regelmæssigt. En gang om ugen bør du fjerne dine filtre og skylle eventuelle snavs ud af dem med en højtryksslange. En gang om måneden bør du lægge dine filtre i blød i en opløsning og derefter skylle dem af med en højtryksslange.

Filterrensning

1. Sluk for strømmen.
2. Fjern patronen; læs venligst instruktionerne til fjernelse af filteret, før du gør det.
3. Fjern filteret fra patronen ved at dreje det mod uret.
4. Rengør patronen med vand, indtil der ikke er nogen rester.
5. Spray filteret med vand fra top til bund i en vinkel på 45° (se billederne til højre).
6. Installer filteret og patronen efter rengøring.
7. Tænd for strømmen.

Advarsel: Når du fjerner dine filtre, skal du ALTID sikre dig, at strømmen til din spa er slukket, før du gør det. Hvis du lader strømmen være tændt, og der trækkes noget ind i din pumpe eller varmelegeme, hvilket får enten til at svigte, vil fejlen ikke være dækket af garantien.

Garantiydelse og dækning

Vores virksomhed yder en begrænset 2-års garanti, der dækker fabrikationsfejl og fejl, der direkte kan henføres til produktets design, materialer eller udførelse. Denne garanti gælder kun for produkter, der udelukkende anvendes til private, personlige og ikke-kommercielle formål.

Alle reparationer eller udskiftninger forlænger eller fornyer ikke den oprindelige garantiperiode. Dette er en garanti, der kun består af dele, medmindre andet er angivet skriftligt. For ethvert garantikrav relateret til transportskader skal skader rapporteres inden for 24 timer efter levering, med korrekt dokumentation og fotos og anerkendes af leveringsføreren. Ethvert uautoriseret reparationsforsøg eller manglende overholdelse af den skitserede proces kan annullere garantien.

Følgende varer er specifikt udelukket fra enhver garantidækning:

- Eventuelle skader som følge af forkert brug eller vedligeholdelse, der ikke er i overensstemmelse med brugervejledningen.
- Skader forårsaget af enhver menneskelig faktor.
- Enhver ændring af produktet uden producentens tilladelse.
- Beskadigelse eller misfarvning af skaloverfladen på grund af ætsende eller ukorrekte rengøringsmidler.
- Skader som følge af forkert transport eller opbevaring.
- Skader på grund af Guds handlinger.

42

- Naturlig farveafblegning.

Begrænset garanti: Produktionsproducenten forbeholder sig retten til den endelige forklaring.

Særlig erklæringsnote: Den begrænsede garanti er fra producentens produktionsdato for væsentlig færdiggørelse.

Ydelseserklæring

1. Unik identifikationskode for produkttypen:
Produktnummer (se nederst på siden)
2. Tiltænk brug:
Whirlpool SPA til husholdningsbrug, til wellness/personlig hygiejne formål
3. Importør:
Køb GmbH
Haldenstrasse 5
6340 Baar
Schweiz
Telefon +41 43 5082233
4. Autoriseret repræsentant: %
5. System til vurdering og verifikation af ydeevnens konstanthed: System 1
 - a. Harmoniserede standarder:
EN55014-1:2006/+A1:2009/+A2:2011
EN55014-2:2015 EN61000-3-12:2011
EN61000-3-11:2000
EMC-direktivet (2014/30/EU)
EN60335-2-60:2003+A1:2005+A2:2008+A11:2010+A12:2010
EN60335-1:2012+AC:2014+A11:2014
EN62233:2008
Lavspændingsdirektiv (2014/35/EU)
 - b. Europæisk vurderingsdokument: %
Europæisk teknisk vurdering: %
Teknisk vurderingsorgan: %
Bemyndiget organ: %
6. Erklærede præstationer:

Væsentlige egenskaber	Præstation	Harmoniseret teknisk specifikation
Brugersikkerhed	Overensstemmende	EN 60335-2
Drift (normal og unormal)	Overensstemmende	EN 60335-1

43

Lavspændingsdirektivet	Overensstemmende	EN 62233
Elektromagnetisk kompatibilitet (EMC)	Overensstemmende	EN 55014-1
		EN 55014-2
		EN 61000-3-12
		EN 61000-3-11

7. Passende teknisk dokumentation eller specifikt teknisk dokumentation:
Rapport nr: 60445226 001 TÜV Rheinland
Rapport nr: 60445226 001 TÜV Rheinland

Ydelsen af det nævnte produkt er i overensstemmelse med den deklarerede ydeevne. Importøren nævnt ovenfor er eneansvarlig for udarbejdelsen af ydeevne deklARATIONEN i overensstemmelse med forordning (EU) nr. 305/2011.

Tillæg

Artikelnummer	Artikeltype
37979 (E-351S) CALIMA	Whirlpool SPA
37981 (M-530D) VILLARRICA	Whirlpool SPA
37983 (E-310S) MARFIL	Whirlpool SPA

Underskrevet for og på vegne af importøren af:

Michael Widmer
adm. direktør



6340 Baar, 20.05.2024

44

Nederlands (NL)



Instructies voor gebruik:

Lees deze handleiding zorgvuldig door voordat je het apparaat gebruikt.

Met de juiste voorbereiding en verzorging zul je jarenlang plezier en ontspanning beleven aan je spa. Deze handleiding is bedoeld om je alle essentiële informatie te geven over de voorbereiding, installatie, verzorging en bediening van de nieuwe spa. Neem de tijd om de gehele handleiding door te lezen, zodat je de spa op de juiste manier en veilig kunt gebruiken.

Belangrijkste functies en productkenmerken:

- **Hydrotherapie-functie:** De spa is uitgerust met speciale hydrotherapie-zitjes, ergonomisch ontworpen om het lichaam te ondersteunen. Pas de massagedruk aan door de massage-instellingen, de waterverveler en de luchtregelaar te wijzigen.
- **Luchtblazertherapie-functie:** Activeer de luchtblazer om een groot volume luchtballen vrij te laten komen via speciaal ontworpen luchtjets, waardoor een bruisende massage-ervaring ontstaat die zowel therapeutisch als plezierig is.
- **Verwarmingsfunctie:** De spa verwarmt het water en stelt gebruikers in staat om de gewenste temperatuur in te stellen. Het verwarmingssysteem houdt deze temperatuur op peil, zodat de spa het hele jaar door te gebruiken is.
- **Filter en circulatiefunctie:** De spa is voorzien van een filtersysteem met een geïntegreerd filter en ozonsterilisatie. Terwijl het systeem onzuiverheden filtert, voert het automatisch de filtercyclus uit om bacteriën te verwijderen met behulp van ozon dat door de ozonunit wordt gegenereerd.
- **Verlichting:** De LED-onderwaterverlichting versterkt de sfeer van de spa. Het verlichtingssysteem wordt bediend via het paneel en verlicht niet alleen het water, maar creëert ook een romantische en rustgevende sfeer.

Belangrijke verklaring: Alle hierboven genoemde functies zijn algemene beschrijvingen van onze spa-producten. De specifieke kenmerken van je spa kunnen afwijken. Controleer de details voordat je een aankoop doet. De fabrikant behoudt zich het recht voor om producten zonder voorafgaande kennisgeving en zonder enige verplichting te wijzigen of te verbeteren.

Belangrijke instructies

Het is essentieel dat je vertrouwd bent met de algemene veiligheidsvoorschriften voor spabaden en de procedures voor waterbehandeling. Zorg ervoor dat je de volgende informatie begrijpt:

- **Elektrische apparaten:** Plaats nooit elektrische apparaten binnen 2 meter afstand van de spa.
- **Weersomstandigheden:** Gebruik of bedien de spa niet tijdens extreme weersomstandigheden, zoals onweer, cyclonen of elektrische stormen.
- **Ventilatie:** Als de spa-ruimte niet goed geventileerd is, kunnen gebruikers last krijgen van keelirritatie. Zorg ervoor dat het spa-bad in een goed geventileerde ruimte wordt geïnstalleerd, vooral als deze afgesloten is.
- **Chemicaliën:** Chemicaliën zijn essentieel voor het schoonhouden van het water, het voorkomen van bacteriegroei en het verlengen van de levensduur van uw spa en de onderdelen ervan. Wanneer ze echter in geconcentreerde vorm worden gebruikt (zoals bepaalde huishoudelijke chemicaliën), kunnen ze gevaarlijk zijn. Ga altijd voorzichtig om met spa-chemicaliën en volg de veiligheidsvoorschriften. Raadpleeg het etiket en de veiligheidsdocumentatie van het product. Meer gedetailleerde informatie over het veilig gebruik van chemicaliën vindt u in het gedeelte Chemisch beheer.

Spa installatie

Laat je spa altijd installeren door een gekwalificeerde professional. De fabrikant is niet verantwoordelijk voor schade die wordt veroorzaakt door onjuiste installatie of door werkzaamheden die zijn uitgevoerd door ongekwalificeerde personen.

Positionering en locatie van de spa

- De spa moet zo worden geplaatst dat deze gemakkelijk toegankelijk is voor service en onderhoud. De meeste apparatuur bevindt zich aan de voorkant van de spa en moet toegankelijk blijven voor stroomaansluiting en onderhoud.
- Het wordt aanbevolen om rondom de spa aan alle vier de zijden minimaal 1,2 meter vrije ruimte te laten voor toekomstige toegang.
- De eigenaar is ervoor verantwoordelijk dat de installatie correct is voltooid voordat de dienstverlening begint.
- Alle draagbare spa-apparatuur moet worden geventileerd. Blokkeer de ventilatieopeningen in de kast niet.
- Plaats de spa uit de buurt van bomen om te voorkomen dat bladeren de filter verstopen.

Belangrijke opmerking:

Laat je spa niet langdurig in direct zonlicht staan. Dit kan je garantie ongeldig maken. De spa is voorzien van isolatie over de kuip en het leidingwerk. Bij blootstelling aan direct zonlicht kan de oppervlaktetemperatuur oplopen tot 200 °C, wat schade aan de spa kan veroorzaken. Het wordt aanbevolen om altijd de harde afdekking te gebruiken wanneer de spa niet in gebruik is en om de spa op een locatie te plaatsen die beschermd is tegen extreme en barre

- **Afwateringsvereisten:** Zorg ervoor dat de spa niet in een laaggelegen of overstromingsgevoelig gebied wordt geïnstalleerd, aangezien dit kan leiden tot defecten aan elektrische apparatuur of een gevaar kan vormen voor gebruikers van de spa.
- **Risico op elektrische schok:** Zoals bij alle elektrische apparaten bestaat er een risico op elektrische schokken. Het bedieningspaneel, die zich in de kast bevindt, bevat de besturingseenheid die de spa bedient. Deze behuizing moet altijd gesloten blijven. Als er water in het bedieningspaneel komt, schakel dan de spa uit bij de stroomtoevoer en zorg ervoor dat alle onderdelen volledig droog zijn voordat je deze opnieuw start.
- **Temperatuur:** Houd de temperatuur van het spa-water niet hoger dan 40 °C. Hogere temperaturen kunnen het cardiovasculaire systeem belasten. Als de temperatuur hoger is dan 40 °C, verlaat dan de spa en neem onmiddellijk contact op met je dealer. Het wordt aanbevolen om de watertemperatuur niet hoger te laten zijn dan de normale lichaamstemperatuur (ongeveer 37,5 °C).
- **Medische aandoeningen:**
 - Personen met diabetes, hoge bloeddruk, hartaandoeningen of andere cardiovasculaire problemen dienen een arts te raadplegen alvorens gebruik te maken van de spa.
 - Om besmetting en gezondheidsrisico's te verminderen, dien je je met water en zeep te douchen voordat je de spa betreedt.
 - Personen met open wonden of enige vorm van infectie mogen geen gebruik maken van de spa.
 - Heet water kan een ideale omgeving zijn voor bacteriën, vooral als het ontsmettingsniveau niet goed wordt gehandhaafd.
 - Zwangere vrouwen moeten altijd hun arts raadplegen voordat ze een spa gebruiken.
- **Week- en afkoeltijd:** Beperk sessies in de spa tot 15-20 minuten per keer. Sommige spa's hebben een koelstoel. Als je het te warm begint te krijgen, ga dan op de koelstoel zitten en laat je lichaam afkoelen. Zodra je je weer comfortabel voelt, kun je langzaam weer het water in gaan. Door in een spa te zitten met de borst boven de waterlijn, hoef je minder lang af te koelen. Vermijd langdurige blootstelling aan water dat warmer is dan de normale lichaamstemperatuur, aangezien dit gevaarlijk kan zijn.
- **Alcoholgebruik en medicatie:** Het consumeren van alcohol in of rond de spa is zeer onveilig. Gebruik nooit glazen verpakkingen in de buurt van de spa. Alcohol verhoogt het risico op verdrinking. Iedereen die medicijnen gebruikt, dient zijn arts te raadplegen alvorens de spa te betreden.
- **Veiligheid van kinderen:** Kinderen mogen de spa niet zonder toezicht gebruiken.
- **Voorkomen van uitglijden:** Wees altijd voorzichtig bij het betreden en verlaten van de spa, aangezien natte of oneffen oppervlakken glad kunnen zijn. Gebruik leuningen en antislippoppervlakken om het risico op vallen te verminderen. In sommige gevallen kunnen opstapjes nodig zijn om het betreden en verlaten te vergemakkelijken.

weersomstandigheden. Als je de spa onafgedekt en blootgesteld laat, kan dit je garantie op de spa en de accessoires ongeldig maken.

Locatievereisten

- Voor de installatie is het raadzaam om een professional te raadplegen om de juiste positie voor de spa te bepalen.
- Plaats de spa niet op een plek waar water in het compartiment met elektrische apparatuur kan binnendringen. Zorg er ook voor dat hij niet in direct contact komt met zeer vochtige ruimtes.
- Plaats de spa horizontaal en zorg ervoor dat de hele basis van het apparaat op een glad, vlak en waterpas oppervlak staat dat het gewicht kan dragen wanneer het volledig gevuld is met water, plus het gewicht van de baders (vereist een draagvermogen van 1000 kg).
- De spa mag niet geplaatst worden op een gebogen, zacht, zanderig oppervlak of blokken.

Elektrische installatie

- De stroomtoevoer naar je nieuwe spa moet via een speciaal daarvoor bestemd circuit lopen, zonder dat andere apparaten of stopcontacten dezelfde stroom gebruiken. Schade veroorzaakt door een onjuiste stroomsterkte wordt NIET gedekt door de garantie. Raadpleeg een gekwalificeerde elektricien voor de elektrische aansluiting.
- Zorg ervoor dat je nieuwe spa goed geaard is. De hoofdstroomvoorziening moet voorzien zijn van een zeer gevoelige aardlekschakelaar (RCD). Een lekstroombeveiliging van 30 mA wordt aanbevolen.

Selecteer a.u.b. een geschikt kabelformaat:

Sterkte (KW)	2.1	2.5	2.8	3.2	3.5	4.4	5.3	6.2	7.0	7.9	8.8
Product afstand											
6 - 11 meter	2.5	2.5	2.5	2.5	4	4	6	10	10	10	10
11 - 15 meter	2.5	2.5	2.5	4	4	4	6	6	10	10	10
15 - 20 meter	4	4	4	4	6	6	10	10	10	16	16

Spa onderhoud

Het bezitten van een spa is leuk, ontspannend en therapeutisch, maar het is belangrijk om je investering goed te onderhouden, zodat deze economisch en in goede staat blijft en je onnodige, voortijdige reparatiekosten kunt vermijden. Hieronder vind je een eenvoudige stapsgewijze handleiding die je kunt volgen.

Vullen van je spa

1. Controleer en draai alle aansluitingen vast voordat je je spa vult, aangezien deze tijdens het transport los kunnen raken.
2. Controleer of alle terugslagkleppen in de open stand staan.
3. Check of de afwateringsklep op dicht staat.
4. Zorg ervoor dat alle jets openstaan. Draai met de klok mee om de jets open te zetten.
5. Vul je spa met water. Vul door het filter om luchtblokkages in de pompen te voorkomen.
6. Vul het water bij tot het vereiste waterlevel bereikt is.

Opmerking: Om schade aan componenten te voorkomen, VUL NIET BIJ met heet water boven de 40°C in je spa.

Je spa leeg laten lopen

Als je je spa slechts één of twee keer per week gebruikt, hoeft je deze minder vaak te legen dan wanneer je hem drie of meer keer per week gebruikt. Daarom wordt aanbevolen om de spa minstens om de drie maanden te legen.

De afvoerlepel bevindt zich aan de voorkant van de onderkant. De instructies voor het afvoeren zijn als volgt:

1. Verwijder het deksel van de afvoerlepel door deze linksom te draaien.
2. Sluit je slang aan op de afvoerlepel (slangdiameter: ¾" of 19,04 mm)
3. Trek eruit en draai los totdat er water begint te stromen.

Opmerking: Zorg ervoor dat de stroom is uitgeschakeld voordat je het apparaat leeg laat lopen. Schade veroorzaakt door drooglopen valt niet onder de garantie.

Instructie voor het controlepaneel van de spa

Raadpleeg voor de bediening van het spa-bedieningspaneel de gebruikershandleiding van het besturingssysteem en de beknopte bedieningshandleiding.

49

Jet instructie

Jets zijn de belangrijkste onderdelen die verantwoordelijk zijn voor de massage. Je kunt de waterstroom aanpassen door de jetkop te draaien.

- Draai de jetafdekking ongeveer een kwartslag met de klok mee om de jets te openen.
- Draai de jetafdekking ongeveer een kwartslag tegen de klok in om de jets te sluiten.

Opmerking: Sommige jets en luchtjets zijn niet verstelbaar. Draai deze jets niet met kracht, omdat dit schade kan veroorzaken.

Instructie voor luchtjets

- Luchtregelaars beïnvloeden de druk van je jets door lucht toe te voegen. Je spa kan meer dan één luchtregelaar hebben, die elk aan een specifieke groep jets zijn gekoppeld. Door een luchtregelaar te openen, wordt er meer lucht in de waterstroom gezogen.
- Wanneer de luchtregeling met de klok mee wordt gedraaid, wordt de kracht van de massagestralen verminderd.
- Wanneer je deze knop tegen de klok in draait, wordt de kracht van de massagestralen verhoogd.

Opmerking: Voor een betere verwarmingsefficiëntie dien je de luchtregeling uit te schakelen. De luchtblazer kan de temperatuur van het spa-water doen dalen.

Instructie voor waterverdeler

De waterverdeler is het onderdeel dat de massagekracht regelt. Door de waterverdeler te draaien, regel je de waterstroom tussen de jets. Door deze te draaien, pas je de massagekracht van verschillende jetgroepen aan.

Spa waterbeheer & onderhoud

Houd er rekening mee dat deze instructies bedoeld zijn als algemene richtlijn voor het behoud van de waterkwaliteit van je spa. Raadpleeg, voordat je actie onderneemt, je lokale spa-specialist voor de juiste hoeveelheid ontsmettingsmiddel en de juiste procedures op basis van de capaciteit van je spa.

- Gebruik nooit chemicaliën van slechte kwaliteit of ongeschikte apparatuur, aangezien dit schade kan veroorzaken.
- Chemicaliën vallen niet onder de garantie.
- Laat het water minstens één keer per maand door een professional testen. Het wordt ook aanbevolen om het water wekelijks door de gebruiker te laten testen. Wanneer je chemicaliën toevoegt, meng deze dan gedurende 20-30 minuten met water en zorg ervoor dat alle stoffen volledig zijn opgelost.

50

Het effect en het aanpassen van pH

- Een lage pH-waarde (lager dan 7,2) zorgt ervoor dat ontsmettingsmiddelen minder goed werken, verhoogt het risico op corrosie van oppervlakken en onderdelen en kan irritatie van de huid en ogen veroorzaken.
- Als de pH-waarde hoog is (boven 7,6), verliezen ontsmettingsmiddelen op basis van chloor hun effectiviteit; het water kan troebel worden en er kan kalkaanslag ontstaan op de oppervlakken van de spa en de verwarmingselementen.

LET OP! De pH-waarde meet de zuurgraad/alkaliteit van water:

- Alkaliteit: Waarden boven 7 zijn alkalisch; waarden onder 7 zijn zuur.
- Een pH-waarde tussen 7.2 and 7.6 is aanbevolen.

WAARSCHUWING: Zorg ervoor dat de juiste pH-waarde wordt gehandhaafd. Schade veroorzaakt door een onjuiste pH-waarde valt niet onder de garantie van uw spa.

pH aanpassing

- Controleer dagelijks de pH-waarde van het spa-water met behulp van een pH-tester (niet meegeleverd). Als de pH-waarde buiten het aanbevolen bereik ligt, gebruik de spa dan niet. Wacht twee uur en test opnieuw.
- Als de pH-waarde nog steeds niet correct is, laat je de pomp nog 2 uur draaien en controleer je opnieuw.
- Als het nog steeds niet goed is: Haal het deksel van de spa eraf en test opnieuw nadat je de juiste pH- of alkaliteit/verzurende chemicaliën hebt toegevoegd (gebruik alleen zoals aanbevolen). Meng goed en test opnieuw na 20 minuten.

Desinfectie van het water

- Desinfectie is essentieel om algen, bacteriën en andere ziekteverwekkers in het water te vernietigen. Overmatig gebruik van desinfectiemiddelen kan echter leiden tot irritatie van de huid en ogen.
- **Bromidetabletten:** Veilig en geschikt voor gebruik. Plaats in het voorfilter; lost geleidelijk op.
- Controleer dagelijks het resterende bromidegehalte met een testkit. Ideaal gehalte: 2,2-3,3 ppm

Desinfectie met Ozon

- Ozon (O₃) is een sterke en geurloze desinfectans.
- De meeste spa's zijn uitgerust met 1-2 ozongeneratoren.
- Het systeem injecteert automatisch ozon in het spa-water via de jets.

- Ozon moet één keer per dag worden vrijgegeven. Aanbevolen ozon-desinfectie is één keer per dag, met een duur van 1-2 uur.
- De levensduur van de ozongenerator is afhankelijk van het gebruik en moet regelmatig worden gecontroleerd.

Filter verwijderen en installeren

De cartridge en het filter verwijderen:

- Open het cartridge-deksel aan de bovenkant.
- Verwijder het filterdeksel en draai het papieren filter linksom om het te verwijderen.
- Om het patroonfilter te installeren, voer je deze stappen in omgekeerde volgorde uit.

De dubbele filters aan de voorkant verwijderen:

- Til het voorpaneel op; trek het scherm zijwaarts naar buiten.
- Draai tegen de klok in om het papieren filter te verwijderen.
- Om de dubbele filters aan de voorkant te installeren, voer je deze stappen in omgekeerde volgorde uit.

Het grote filter met toegang aan de voorkant verwijderen:

- Verwijder het bovenste deksel.
- Draai tegen de klok in om het papieren filter te verwijderen.
- Om het filter te installeren draai je deze volgorde om.

Wanneer de spa niet in gebruik is

Als je langer dan twee maanden weg bent, is het raadzaam om de spa uit te schakelen en leeg te maken. Het is belangrijk om de afdekking op de spa te laten zitten, ook als deze leeg is, om de kuip te beschermen. Als je een paar dagen of weken weg bent, schakel je spa dan niet volledig uit. Verlaag de temperatuur tot 15 graden Celsius, zodat de filtercycli nog steeds werken, maar de spa niet verwarmt.

- **3-5 dagen:** Pas de pH-waarde en waterbehandeling aan (zie voor meer informatie het gedeelte over wateronderhoud) en dek de spa af. Pas de pH-waarde en waterbehandeling aan wanneer je de spa opnieuw gebruikt.
- **5-14 dagen:** Stel de laagste temperatuur of slaapstand in. Pas de pH-waarde en waterbehandeling aan (zie voor meer informatie het gedeelte over wateronderhoud) en dek de spa af. Pas de pH-waarde en waterbehandeling aan wanneer je de spa opnieuw gebruikt.
- **Meer dan 15 dagen:** Schakel de stroom uit, open de afvoerlepel en laat de spa volledig leeglopen. Verwijder het filter, houd de spa droog en dek de spa af.

51

52

Probleemoplossing

Probleem	Mogelijke oorzaken	Oplossing
De foutmelding verschijnt op het LCD-scherm; de spa werkt niet meer.	Het besturingssysteem heeft een digitale diagnosefunctie die stopt met werken als er iets mis is in de spa, en weer start zodra het probleem is opgelost.	Raadpleeg de foutmelding in de handleiding van het besturingssysteem en neem vervolgens contact op met je lokale dealer voor onderhoud.
Spa kan in geen enkele modus worden gestart	De stroom is uit	Controleer of de aan/uit-schakelaar of schakelaar is ingeschakeld.
	Het bedieningspaneel is vergrendeld	Controleer of het bedieningspaneel vergrendeld is en ontgrendel het indien nodig.
	Storing in de elektrische bediening (display geeft foutmelding weer)	Controleer de foutcode in de bedieningshandleiding en neem vervolgens contact op met je dealer om het onderhoud uit te voeren.
Spa gaat automatisch open	Filtratiefunctie is actief	Dit is slechts een automatische functie van het systeem; er is geen onderhoud nodig. Het systeem stopt automatisch met werken wanneer de functie is voltooid. Er is geen actie van de gebruiker nodig.
	Verwarmingsfunctie is actief	
	Antivriesfunctie is actief	
De waterpomp schakelt automatisch uit wanneer je de spa gebruikt.	De looptijd van de pomp is langer dan de standaard maximale looptijd van het systeem.	Druk nogmaals op de pompknop om de pomp opnieuw te starten. Laat de pomp werken.
	De motor bevindt zich in de oververhittingsbeveiligingsmodus.	Laat de pomp niet langer dan 1 uur draaien totdat deze is afgekoeld en start de pomp vervolgens opnieuw.

53

De spa wordt ingeschakeld nadat hij volledig met water is gevuld, waarna ook de waterpompen worden ingeschakeld, maar er komt geen water uit de jets.	De jets zijn dicht	Check of de jets dicht zijn; als dat het geval is, zet ze open
	De waterpomp zuigt lucht aan.	Probeer herhaaldelijk de waterpompen te starten. Als ze nog steeds niet werken, open dan het deksel van de waterpomp om de lucht te laten ontsnappen en schroef het vervolgens weer stevig vast. Vul ondertussen het water via het filter om te voorkomen dat de waterpomp lucht aanzuigt.
Spa warmt langzaam op	Lage temperatuur ingesteld	Stel de temperatuur opnieuw in
	Filterpatroon is vervuild	Maak het filter schoon of vervang deze
	Geen afdekking op de spa, waardoor warmte verloren gaat	Zorg dat er een hoes over de spa zit als deze niet in gebruik is
	De jet die is aangesloten op de circulatiepomp is gesloten.	Zet de jets open
De massagekracht van de jets is klein	De verwarming is kapot	Neem contact op met je lokale dealer om onderhoud uit te voeren
	De jets staan niet helemaal open.	Zet de jets open
	De jets zitten verstopt	Draai de jetafdekking tegen de klok in tot het einde en druk deze vervolgens tegen de klok in om de jets eruit te draaien. Controleer of er vreemde voorwerpen in de jets zitten.
	Luchtklep is uitgeschakeld	Open de luchtklepschakelaar.

54

	Waterklep gesloten, waardoor er geen water uit de sproeiers kan komen	Draai de kleppen om de waterstralen te regelen.
	De regelklep van de waterpomp is niet volledig geopend.	Controleer of de klep van de waterpomp volledig is geopend.
De waterstraal is soms sterk, soms zwak.	De zuig- of filterleidingen zijn verstopt. De regelklep van de waterpomp is niet volledig geopend.	Controleer of er vreemde voorwerpen in de zuigleiding of het filter zitten en verwijder deze. Controleer of beide kleppen van de waterpomp volledig geopend zijn.

De toepassing van andere speciale chemische producten

Naast pH-aanpassing en de bovengenoemde desinfectiemethoden zijn er enkele reinigingsproducten die in spa-water kunnen worden gebruikt:

- **ANTIKALK:** Het kan worden gebruikt om neerslag van calciumzouten (kalkaanslag) te voorkomen/verminderen, vooral in gebieden met hard water. Gebruik het eenmaal per week en telkens wanneer het water wordt ververs.
- **SPA-ALGENVERDELGER:** Voorkomt algengroei in het water. Gebruik het eenmaal per week en telkens wanneer het water wordt ververs.
- **ANTISCHUIM:** Voorkomt schuimvorming in het water. Gebruik het eenmaal per week en telkens wanneer het water wordt ververs.

WAARSCHUWING

Voeg de exacte hoeveelheden toe aan het water, zoals aangegeven. Meng geen producten om mogelijke reacties te voorkomen. Rook niet tijdens het gebruik van deze producten – ze kunnen brandbaar zijn. Voeg geen chemische producten toe aan het water als er iemand in de spa zit. Bewaar de verpakkingen goed gesloten op een droge, goed geventileerde plaats en houd deze producten buiten het bereik van kinderen. Adem geen chemische producten in en zorg ervoor dat ze niet in contact komen met de ogen, neus of mond. Was je handen na gebruik. Volg de noodinstructies op het productetiket in geval van een ongeval of inslikken.

Spa-reiniging en onderhoud

Het bezitten van een spa is ontspannend en therapeutisch, maar het is nog belangrijker om deze goed te onderhouden, zodat hij gezond en zuinig blijft en je onnodige vroegtijdige reparatiekosten kunt vermijden. Hieronder vind je een eenvoudige stapsgewijze procedure die je kunt volgen.

Spa oppervlakte schoonmaken en onderhouden

Het oppervlak van de spa is gemaakt van hoogglans acryl. Het moet schoon worden gehouden. We raden aan om het buitenoppervlak van de spa één keer per week schoon te maken en de hele spa schoon te maken nadat deze is leeggelopen. Hieronder staan de gedetailleerde stappen:

- Reinig het vuil met een natte doek. Gebruik een neutraal reinigingsmiddel en een zachte doek. Gebruik geen reinigingsmiddelen die ketonen of chloorwater bevatten.
- Als het oppervlak lichte krassen vertoont, polijst je het met schuurpapier met korrelgrootte 2000 en werk je het bij met tandpasta. Polijst het vervolgens opnieuw met een zachte doek.
- Reinig het oppervlak van de spa niet met chemische oplossingen/oplosmiddelen of schurende gereedschappen. Kras niet op het oppervlak van de spa met harde materialen of een mes.
- Reinig het oppervlak van de spa niet met nagellak, nagellakremover, droogreinigingsvloeistof, aceton, verfverwijderaar enz., aangezien dit het oppervlak kan beschadigen.
- Er mogen geen sigarettenpeuken of warmtebronnen van meer dan 70 °C in aanraking komen met je spa.

Onderhoud van het bedieningspaneel

- Raak het bedieningspaneel niet aan met harde voorwerpen om krassen te voorkomen.
- Vermijd direct zonlicht op het bedieningspaneel.
- Houd het bedieningspaneel droog wanneer de spa niet in gebruik is.

Onderhoud van het kussen

- Maak het kussen schoon met een neutraal schoonmaakmiddel.
- Overmatig gebruik van chloorhoudende reinigingsmiddelen en ozon kan ervoor zorgen dat het kussen verkleurt. Verwijder het kussen na gebruik van de spa. Ga er voorzichtig mee om, want het valt niet onder de garantie.

Onderhoud van de spa-afdekking

- Reinig de afdekking met zeepwater. Zorg ervoor dat het zeepwater niet in de spa terecht komt.
- Pak of trek niet aan de schakel in het midden van de afdekking; deze kan gemakkelijk breken.
- Ga niet op de afdekking zitten, liggen of springen. Schade die hierdoor wordt veroorzaakt, valt mogelijk niet onder de garantie.

55

56

Opmerking: Dek de spa af na gebruik of reiniging. Als je de spa onafgedekt en blootgesteld laat, kan dit leiden tot het vervallen van je garantie op de spa en de accessoires.

Filter onderhoud

Je moet de filters regelmatig reinigen. Eén keer per week moet je de filters verwijderen en eventuele resten met een hogedrukslang wegsprengen. Eén keer per maand moet je de filters in een reinigingsoplossing voor patroonfilters weken en ze vervolgens met een hogedrukslang afspuiten.

Filter reinigen

1. Schakel de stroom uit.
2. Verwijder de cartridge; lees eerst de instructies voor het verwijderen van het filter.
3. Verwijder het filter uit de cartridge door het tegen de klok in te draaien.
4. Reinig de cartridge met water totdat er geen resten meer achterblijven.
5. Besproei het filter met water, van boven naar beneden, onder een hoek van 45° (zie de foto's aan de rechterkant).
6. Installeer het filter en de patroon na het reinigen.
7. Schakel de stroom weer aan.

Waarschuwing: Wanneer je je filters verwijdert, moet je ALTIJD controleren of de stroomtoevoer naar de spa is uitgeschakeld voordat je dit doet. Als je de stroomtoevoer ingeschakeld laat en er iets in de pomp of verwarming terechtkomt, waardoor deze defect raken, valt de schade niet onder de garantie.

Garantieprestaties en dekking

Ons bedrijf biedt een beperkte garantie van 2 jaar op fabricagefouten en defecten die rechtstreeks te wijten zijn aan het ontwerp, de materialen of de afwerking van het product. Deze garantie geldt alleen voor producten die uitsluitend voor privé-, persoonlijk en niet-commercieel gebruik worden gebruikt.

Alle reparaties of vervangingen verlengen of vernieuwen de oorspronkelijke garantieperiode niet. Dit is een garantie die alleen geldt voor onderdelen, tenzij schriftelijk anders vermeld. Voor garantieclaims met betrekking tot transportschade moet de schade binnen 24 uur na levering worden gemeld, met de juiste documentatie en foto's, en worden bevestigd door de bezorger. Elke ongeoorloofde reparatiepoging of het niet volgen van de beschreven procedure kan de garantie ongeldig maken.

57

EN62233:2008

Laagspanningsrichtlijn (2014/35/EU)

- b. Europees beoordelingsdocument: %
Europese technische beoordeling: %
Technische beoordelingsinstantie: %
Aangemelde instantie: %

6. Opgegeven prestaties:

Essentiële kenmerken	Prestatie	Geharmoniseerde technische specificatie
Gebruiksveiligheid	Conform	EN 60335-2 EN 60335-1 EN 62233
Werking (normaal en abnormaal)	Conform	
Laagspanningsrichtlijn	Conform	
(EMC)Elektromagnetische compatibiliteit (EMC)	Conform	EN 55014-1 EN 55014-2 EN 61000-3-12 EN 61000-3-11

7. Passende technische documentatie of specifieke technische documentatie:

Rapport Nr.: 60445226 001 TÜV Rheinland

Rapport Nr.: 60445226 001 TÜV Rheinland

De prestaties van het bovengenoemde product komen overeen met de aangegeven prestaties. De hierboven genoemde importeur is als enige verantwoordelijk voor het opstellen van de prestatieverklaring in overeenstemming met Verordening (EU) nr. 305/2011.

59

De volgende items zijn specifiek uitgesloten van de garantiedekking:

- Alle schade die voortvloeit uit incorrect gebruik of onderhoud dat niet in overeenstemming is met de gebruikershandleiding.
- Schade veroorzaakt door menselijke factoren.
- Elke wijziging aan het product zonder toestemming van de fabrikant.
- Beschadiging of verkleuring van het oppervlak van de schaal door corrosieve of ongeschikte reinigingsmiddelen.
- Schade als gevolg van onjuist transport of onjuiste opslag.
- Schade als gevolg van overmacht.
- Natuurlijke kleurvervaging.

Beperkte garantie: De fabrikant behoudt zich het recht voor om de finale beslissing te nemen.

Speciale verklaring: De beperkte garantie geldt vanaf de productiedatum van de fabrikant waarop het product in wezen voltooid is.

Prestatieverklaring

1. Unieke identificatiecode van het producttype:
Productnummer (zie onderaan de pagina)

2. Beoogd gebruik:
Whirlpool SPA voor huishoudelijk gebruik, voor wellness/persoonlijke hygiëne

3. Importeur:
Beliani GmbH
Haldenstrasse 5
6340 Baar
Switzerland
Tel +41 43 5082233

4. Gevolmachtigde vertegenwoordiger: %

5. Systeem voor de beoordeling en verificatie van de prestatiebestendigheid: Systeem 1

a. Geharmoniseerde standaarden:

EN55014-1:2006/+A1:2009/+A2:2011

EN55014-2:2015 EN61000-3-12:2011

EN61000-3-11:2000

De EMC-richtlijn (2014/30/EU)

EN60335-2-60:2003+A1:2005+A2:2008+A11:2010+A12:2010

EN60335-1:2012+AC:2014+A11:2014

58

Bijlage

Artikelnummer	Soort artikel
37979 (E-351S) CALIMA	Whirlpool SPA
37981 (M-530D) VILLARRICA	Whirlpool SPA
37983 (E-310S) MARFIL	Whirlpool SPA

Ondertekend voor en namens de importeur door:
Michael Widmer, Algemeen Directeur

6340 Baar, 20.05.2024

60

Suomi (FI)



Käyttöohjeet:

Lue nämä käyttöohjeet huolellisesti ennen käyttöä.

Oikealla valmistelulla ja huolenpidolla ulkoporeallas tarjoaa monien vuosien nautinnon ja rentoutuksen. Tämä käyttöohje on laadittu antamaan kaikki olennaiset tiedot uuden ulkoporeallan valmistelusta, asennuksesta, ylläpidosta ja käytöstä. Lue käyttöohje huolellisesti, jotta voit käyttää ulkoporeallasta oikein ja turvallisesti.

Päätoiminto ja tuotteen ominaisuudet:

- Hydroterapiatoiminto:** Ulkoporeallas on varustettu erityisillä hydroterapiaistuimilla, jotka on ergonomisesti suunniteltu tukemaan kehoa. Hieronnan voimakkuutta voi säätää muuttamalla hieronta-asetuksia, vedenjakajaa ja ilmansääätäjää.
- Ilmapuhallintoiminto:** Aktiivoi ilmapuhallin, jolloin erityisesti suunniteltujen ilmasuuttimien kautta vapautuu suuri määrä ilmapuhallin, jotka luovat terapeuttisen ja miellyttävän kuplivan hierontakokemuksen.
- Lämmitystoiminto:** Ulkoporeallas lämmittää veden ja mahdollistaa halutun lämpötilan asettamisen. Lämmitysjärjestelmä ylläpitää tätä lämpötilaa ja varmistaa käytettävyyden ympäri vuoden.
- Suodatus- ja kiertotoiminto:** Ulkoporeallasta on suodatusjärjestelmä, jossa on integroitu suodatint ja otsonisterilointi. Suodatuksen aikana järjestelmä käynnistää automaattisesti suodatusjakson, joka poistaa bakteerit otsoniyksikön tuottaman otsonin avulla.
- Valaistustoiminto:** Vedenalainen LED-valaistus parantaa ulkoporeallan tunnelmaa. Ohjauspaneelin kautta ohjattava valaistusjärjestelmä valaisee veden ja luo romanttisen ja rauhoittavan tunnelman.

Tärkeä ilmoitus: Kaikki edellä mainitut toiminnot ovat yleisiä kuvauksia ulkoporeallatuotteistamme. Ulkoporeallasta erityisominaisuudet voivat poiketa näistä. Tarkista yksityiskohdat ennen ostamista. Valmistaja pidättää oikeuden muuttaa tai parantaa tuotteita ilman ennakkoilmoitusta ja ilman velvoitteita.

Tärkeitä ohjeita

Tutustu huolellisesti ulkoporeallan yleisiin turvallisuus- ja vedenkäsitelyohjeisiin. Varmista, että ymmärrät seuraavat tiedot:

- Viemäröintivaatimukset:** Varmista, että ulkoporeallasta ei asenneta matalalle tai tulva-altuille alueelle, koska se voi aiheuttaa sähkölaitteiden vaurioita tai vaarantaa ulkoporeallan käyttäjät.

61

- Ilmanvaihto:** Jos ulkoporeallan tila ei ole kunnolla tuuletettu, käyttäjät voivat kokea kurkun ärsytystä. Varmista, että ulkoporeallas on asennettu hyvin tuuletettuun tilaan, erityisesti jos se on suljettu.
- Kemikaalit:** Kemikaalit ovat välttämättömiä veden puhtauden ylläpitämiseksi, bakteerien kasvun estämiseksi sekä ulkoporeallan ja sen osien käyttöikänsä pidentämiseksi. Tiivistetyssä muodossa kemikaalit (kuten tietyt kotitalouskemikaalit) voivat kuitenkin olla vaarallisia. Käsittele kemikaaleja aina varoen ja noudata turvallisuusohjeita. Tutustu tuotteen etikettiin ja turvallisuusohjeisiin. Tarkempia tietoja kemikaalien turvallisesta käytöstä löydät kemikaalien käsittelyä koskevasta osiosta.

Ulkoporeallan asennus

Käytä aina pätevää ammattilaista ulkoporeallan asennukseen. Valmistaja ei ole vastuussa virheellisestä asennuksesta tai epäpätevien henkilöiden suorittamien töiden aiheuttamista vaurioista.

Ulkoporeallan sijoitus ja sijainti

- Ulkoporeallas tulee sijoittaa siten, että ylläpito ja huolto on helppoa. Suurin osa laitteista sijaitsee altaan etuosassa, ja niiden on oltava helposti saavutettavissa virransyötön ja huollon vuoksi.
- On suositeltavaa jättää vähintään 1,2 metrin vapaa tila porealtaan neljälle sivulle huoltotöitä varten.
- Omistaja on vastuussa siitä, että asennus on suoritettu oikein ennen käytön aloittamista.
- Kaikki ulkoporeallan kaapissa sijaitsevat laitteet vaativat ilmanvaihtoa. Älä tuki kaapin tuuletusaukkoja.
- Sijoita ulkoporeallas kauas puista, jotta lehdet eivät tuki suodatinta.

Tärkeä huomautus:

Älä jätä ulkoporeallasta pitkäksi aikaa suoraan auringonvaloon, sillä se voi mitätöidä takuun. Ulkoporeallasta on eristys ulkokuoren ja putkiston päällä. Suorassa auringonvalossa pinnan lämpötila voi nousta jopa 200 °C, mikä voi vaurioittaa ulkoporeallasta.

On suositeltavaa käyttää aina kovaa suojakantaa, kun ulkoporeallasta ei käytetä, ja sijoittaa allas paikkaan, joka on suojattu äärimmäisiltä ja ankarilta sääolosuhteilta. Jos poreallas jätetään suojaamatta ja altistettuna sääolosuhteille, takuu porealtaan ja sen lisävarusteiden osalta voi raueta.

Sijoitusvaatimukset

- Ennen asennusta on suositeltavaa konsultoida ammattilaista sopivan sijoituspaikan varmistamiseksi.

- Sähköiskun vaara:** Kuten kaikkien sähkölaitteiden kohdalla, myös tässä tuotteessa on sähköiskun vaara. Kaapin sisällä sijaitsevassa konehuoneessa on ulkoporeallan ohjausyksikkö, joka on pidettävä aina suljettuna. Jos konehuoneeseen pääsee vettä, sammuta ulkoporeallas virtalähteestä ja varmista, että kaikki osat ovat täysin kuivat ennen uudelleenkäynnistystä.
- Lämpötila:** Pidä ulkoporeallan lämpötila alle 40 °C. Korkeammat lämpötilat voivat rasittaa sydämen ja verisuonten toimintaa. Jos lämpötila ylittää 40 °C, poistu ulkoporealtaasta ja ota välittömästi yhteyttä jälleenmyyjään. On suositeltavaa, että veden lämpötila ei ylitä normaalia kehon lämpötilaa (noin 37,5 °C).
- Sairaudet ja terveydentilat:**
 - Henkilöiden, joilla on diabetes, korkea verenpaine, sydänsairauksia tai muita sydän- ja verisuonitauteja, on suositeltavaa kysyä lääkärin neuvoa ennen ulkoporeallan käyttöä.
 - Tartuntojen ja terveysriskien vähentämiseksi pese itsesi saippualla ja vedellä ennen ulkoporealtaaseen menoa.
 - Henkilöiden, joilla on avoimia haavoja tai infektoita, ei tule käyttää ulkoporeallasta.
 - Kuuma vesi voi olla ihanteellinen ympäristö bakteereille, erityisesti jos desinfiointiaineiden pitoisuutta ei pidetä asianmukaisesti yllä.
 - Raskaana olevien tulee aina kysyä lääkärin neuvoa ennen ulkoporeallan käyttöä.
- Kylpy- ja jäähdyttelyaika:** Rajoita ulkoporealtaasta oloa 15–20 minuuttiin kerrallaan. Joissakin altaissa on jäähdyttelyistuini. Jos alat tuntea olosi liian kuumaksi, istu jäähdyttelyistuimella ja anna kehosi jäähtyä. Kun olosi on taas mukava, voit palata hitaasti veteen. Istuminen ulkoporealtaassa rintakehä veden pinnan yläpuolella auttaa lyhentämään jäähdyttelyyn tarvittavaa aikaa. Vältä pitkäaikaista altistumista veden lämpötilalle, joka ylittää normaalin kehon lämpötilan, sillä se voi olla vaarallista.
- Alkoholin käyttö ja lääkitys:** Alkoholin käyttö ulkoporealtaasta tai sen läheisyydessä on erittäin vaarallista. Älä koskaan käytä lasiastioita porealtaan läheisyydessä. Alkoholi lisää hukkumisriskiä. Lääkkeitä käyttävien henkilöiden tulee keskustella lääkärin kanssa ennen altaaseen menoa.
- Lasten turvallisuus:** Lapset eivät saa käyttää ulkoporeallasta ilman aikuisen valvontaa.
- Liukastumisen ehkäisy:** Varmista aina varovaisuus ulkoporealtaaseen astuttaessa ja sieltä poistuessa, sillä märät tai epätasaiset pinnat voivat olla liukkaita. Käytä kaiteita tai liukumattomia pintoja kaatumisriskin vähentämiseksi. Joissakin tapauksissa portaat voivat helpottaa sisään- ja uloskäyntiä.
- Sähkölaitteet:** Älä koskaan aseta sähkölaitteita alle 2 metrin etäisyydelle ulkoporealtaasta.
- Sääolosuhteet:** Älä käytä ulkoporeallasta ankarissa sääolosuhteissa, kuten ukkosmyrskyissä, pyörremyrskyissä tai sähkömyrskyissä.

62

- Vältä asentamista ulkoporeallasta paikkaan, jossa vesi voi päästä sähkölaitteiden koteloon. Varmista myös, että poreallas ei joudu suoraan kosketuksiin erittäin kosteiden alueiden kanssa.
- Aseta ulkoporeallas vaakasuoraan ja varmista, että sen koko pohja lepää tasaisella, sileällä ja vaakasuoralla alustalla, joka kestää täytetyn laitteen painon sekä kylpijoiden painon (vaadittu kantavuus noin 1 000 kg).
- Ulkoporeallasta ei saa sijoittaa kaarevalle, pehmeälle, hiekkaiselle tai epätasaiselle alustalle.

Sähköasennus

- Uuden ulkoporeallan sähkönsyöttö on kytkettävä erilliseen virtapiiriin, jossa ei ole muita laitteita tai pistorasioita. Väärästä ampeerista johtuvat vauriot **eivät** kuulu takuun piiriin. Kysy sähköliitännästä valtuutetulta sähköasentajalta.
- Varmista, että uusi ulkoporeallas on maadoitettu asianmukaisesti. Päävirtalähteessä tulee olla vikavirtasuojakytkin (RCD). Suositeltava on 30 mA vikavirtasuojakytkin.

Valitse sopiva johdon koko:

Virta (kW)	2,1	2,5	2,8	3,2	3,5	4,4	5,3	6,2	7,0	7,9	8,8
Tuotteen etäisyys											
6–11 metriä	2,5	2,5	2,5	2,5	4	4	6	10	10	10	10
11–15 metriä	2,5	2,5	2,5	4	4	4	6	6	10	10	10
15–20 metriä	4	4	4	4	6	6	10	10	10	16	16

Ulkoporeallan ylläpito

Ulkoporeallan omistaminen on nautinnollista, rentouttavaa ja terapeuttista, mutta on tärkeää ylläpitää ulkoporeallasta, jotta se pysyy taloudellisesti kannattavana ja hyvässä kunnossa – näin vältetään tarpeettomat, ennenaikaiset korjauskustannukset. Alla on yksinkertainen vaiheittainen ohje, jota tulee noudattaa.

Ulkoporeallan täyttö

63

64

1. Ennen ulkoporealtaan täyttöä tarkista ja kiristä kaikki liitännät, sillä ne voivat löystyä kuljetuksen aikana.
2. Tarkista ja varmista, että kaikki takaiskuventtiilit ovat auki-asennossa.
3. Varmista, että tyhjennysventtiili on suljettu.
4. Varmista, että kaikki suuttimet ovat auki-asennossa. Avaa suuttimet kääntämällä niitä myötäpäivään.
5. Täytä ulkoporeallas vedellä, mieluiten suodattimen kautta, jotta pumppuihin ei jää ilmataskuja.
6. Täytä vettä, kunnes se saavuttaa vaaditun vedenkorkeuden.

Huomaa: Välttääksesi osien vaurioitumisen, **älä** täytä ulkoporeallasta yli 40 °C vedellä.

Ulkoporealtaan tyhjennys

Jos käytät ulkoporeallasta vain kerran tai kahdesti viikossa, tyhjennys tapahtuu harvemmin kuin niillä, jotka käyttävät sitä vähintään kolme kertaa viikossa. Siksi on suositeltavaa tyhjentää ulkoporeallas vähintään 3 kuukauden välein.

Tyhjennysventtiili sijaitsee alaosan etuosassa. Tyhjennysohjeet ovat seuraavat:

1. Irrota tyhjennysventtiilin suoja kääntämällä sitä vastapäivään.
2. Liitä letku tyhjennysventtiiliin (letkun halkaisija: ¾" tai 19,04 mm).
3. Vedä ulos ja käännä, kunnes vesi alkaa virrata.

Huomaa: Varmista, että virta on kytketty pois päältä ennen tyhjennystä. Kuivakäynnistä aiheutuneet vauriot eivät kuulu takuun piiriin.

Ulkoporealtaan ohjauspaneelin käyttöohjeet

Katso ulkoporealtaan ohjauspaneelin tarkemmat käyttöohjeet ohjausjärjestelmän käyttöoppaasta tai pikäkäyttöoppaasta.

Suihkusuuttimien ohjeet

Suihkusuuttimet ovat hieronnasta vastaavat pääkomponentit. Voit säätää veden virtausta pyörittämällä suihkusuuttimen kantta.

- Käännä suihkusuuttimen kantta myötäpäivään noin ¼ kierrosta suihkun avaamiseksi.
- Käännä suihkusuuttimen kantta vastapäivään noin ¼ kierrosta suihkun sulkemiseksi.

Huomaa: Jotkut suihkusuuttimet ja ilmasuihkut eivät ole säädettävissä. Älä käännä näitä suuttimia voimalla, sillä se voi aiheuttaa vaurioita.

Ilmasuihkun ohjausohjeet

- Ilmansäätimet vaikuttavat suihkujen paineeseen lisäämällä ilmaa. Ulkoporealtaassa voi olla useampi kuin yksi ilmanohjain, joista jokainen liittyy tiettyyn suihkuryhmään. Avaamalla ilmansäätimen vesivirtaan imetään enemmän ilmaa.
- Käännettäessä ilmansäädintä myötäpäivään hierontasuuhkujen teho vähenee.
- Käännettäessä ilmansäädintä vastapäivään hierontasuuhkujen teho lisääntyy.

Huomaa: Lämmitystehtokkuuden parantamiseksi kytkä ilmansäätimet pois päältä. Ilmapuhallin saattaa jäähdyttää veden lämpötilaa ulkoporealtaassa.

Vedenohjaimen ohje

Vedenohjain on osa, joka säätää hieronnan tehoa. Vedenohjaimen säätimien kääntäminen ohjaa veden virtausta eri suihkujen välillä, mikä säätää eri suihkuryhmien hierontatehoa.

Ulkoporealtaan veden hallinta ja ylläpito

Huomaa, että tässä ohjekirjassa annetut ohjeet ovat yleisohjeita veden laadun ylläpitämiseksi. Ennen toimenpiteisiin ryhtymistä ota yhteys paikalliseen poreallasasiantuntijaan saadakseen tarkat tiedot desinfiointiaineiden annostuksesta ja porealtaan kapasiteettiin sopivista menetelmistä.

- Älä koskaan käytä huonolaatuisia kemikaaleja tai yhteensopimattomia tarvikkeita, sillä se voi aiheuttaa vaurioita.
- Kemikaalit eivät kuulu takuun piiriin.
- Testaa vesi ammattilaisen toimesta vähintään kerran kuukaudessa. On suositeltavaa, että käyttäjä testaa veden myös viikoittain. Kemikaaleja lisättäessä sekoita vettä 20–30 minuuttia varmistaaksesi, että aineet liukenevat täysin.

pH-tason vaikutus ja säätö

- Matala pH (alle 7,2) heikentää desinfiointiaineiden tehoa, lisää pintojen ja komponenttien korroosioriskiä sekä voi aiheuttaa ihon ja silmien ärsytystä.
- Korkea pH (yli 7,6) heikentää klooripitoisten desinfiointiaineiden tehoa, mikä voi tehdä vedestä sameaa ja aiheuttaa kalkkisaostumia altaan pinnoille ja lämmittimille.

HUOMIO! pH-arvo mittaa veden happamuutta/emäksisyyttä:

- Emäksisyys: pH yli 7 on emäksistä; alle 7 on hapanta.
- Suositeltava pH-arvo on 7,2–7,6.

VAROITUS: Varmista, että oikea pH-taso säilyy. Ulkoporealtaan takuu ei kata virheellisen pH-tason aiheuttamia vaurioita.

65

66

pH-tason säätö

- Tarkista pH-arvo päivittäin pH-testiliuskoilla tai -mittarilla (ei sisälly toimitukseen). Jos pH-arvo on suositellun alueen ulkopuolella, älä käytä poreallasta. Odota kaksi tuntia ja tarkista uudelleen.
- Jos pH-arvo on edelleen alle suositellun, käytä pumppua vielä 2 tuntia ja tarkista uudelleen.
- Jos arvo on edelleen alle suositellun: avaa altaan kansi, lisää sopiva määrä pH:ta tai emäksisiä/happamia kemikaaleja (käytä vain ohjeiden mukaan), sekoita hyvin ja testaa uudelleen noin 20 minuutin kuluttua.

Veden desinfiointi

- Desinfiointi on välttämätöntä levien, bakteerien ja muiden patogeenien tuhoamiseksi vedestä. Desinfiointiaineen liiallinen käyttö voi kuitenkin aiheuttaa ihon/silmien ärsytystä.
- **Bromitabletit:** Turvallisia ja sopivia käytettäväksi. Aseta esisuodattimeen; liukenee vähitellen.
- Tarkista jäännösbromitasot päivittäin testisarjalla. Ihanteellinen taso on 2,2–3,3 ppm.

Desinfiointi otsonilla

- Otsoni (O₃) on tehokas ja hajuton desinfiointiaine.
- Useimmat ulkoporealtaat on varustettu 1–2 otsonigeneraattorilla.
- Järjestelmä ruiskuttaa otsonia automaattisesti altaan veteen suihkusuuttimien kautta.
- Otsonia tulee vapauttaa kerran päivässä. Suositeltu otsonidesinfiointi on kerran päivässä ja kestää 1–2 tuntia.
- Otsonigeneraattorin käyttöikä riippuu käytöstä, ja se on tarkistettava säännöllisesti.

Suodattimien irrotus ja asennus

Patruunan ja suodattimen poistaminen:

- Avaa patruunan kansi yläpuolelta.
- Irrota suodattimen kansi ja irrota paperisuodatin kääntämällä sitä vastapäivään.
- Asenna patruunasuodatin suorittamalla nämä vaiheet päinvastaisessa järjestyksessä.

Etupuoletta avattavien kaksoisuodattimien poistaminen:

- Nosta etupaneelia; vedä näyttö ulos sivuttain.
- Irrota paperisuodatin kääntämällä sitä vastapäivään.
- Asenna etupuoletta huollettavat kaksoisuodattimet suorittamalla nämä vaiheet päinvastaisessa järjestyksessä.

Suuren etupuoletta avattavan lianokerääjän poistaminen:

- Irrota yläkansi.
- Irrota paperisuodatin kääntämällä sitä vastapäivään.
- Asenna etupuoletta avattava lianokerääjä suorittamalla nämä vaiheet päinvastaisessa järjestyksessä.

Kun ulkoporeallas ei ole käytössä

Jos ulkoporeallasta ei aiota käyttää yli 2 kuukauteen, on suositeltavaa sammuttaa poreallas ja tyhjentää se. On tärkeää muistaa jättää kansi päälle myös tyhjenneen porealtaan suojaamiseksi. Laske lämpötila 15 asteeseen, jotta suodatuskyklit toimivat edelleen, mutta poreallas ei lämmitä.

- **3–5 päivää:** Säädä pH-taso ja vedenkäsittely (katso lisätietoja Veden desinfiointi -osiesta) ja peitä poreallas. Toista pH- ja vedenkäsittelytoimet, kun otat porealtaan uudelleen käyttöön.
- **5–14 päivää:** Aseta alin lämpötila tai lepotila, säädä pH-taso ja vedenkäsittely (katso lisätietoja Veden desinfiointi -osiesta) sekä peitä poreallas. Toista pH- ja vedenkäsittelytoimet, kun otat porealtaan uudelleen käyttöön.
- **Yli 15 päivää:** Katkaise virta, avaa tyhjennysventtiili ja tyhjennä allas kokonaan. Irrota suodatin, pidä poreallas kuivana ja peitä se.

Vianmääritys

Vika	Mahdolliset syyt	Ratkaisu
LCD-näytöllä näkyy virheviesti; poreallas lakkaa toimimasta	Ohjausjärjestelmässä on digitaalinen diagnostiikkatoiminto, joka lakkaa toimimasta, jos altaassa on jotain vikaa, ja käynnistyy uudelleen, kun vianmääritys on ratkaistu	Tarkista virheilmoitus ohjausjärjestelmän käyttöoppaasta ja ota sitten yhteyttä paikalliseen jälleenmyyjään huoltoa varten
Poreallas ei käynnisty missään tilassa	Virta on pois päältä	Tarkista, onko virtakytkin tai kontaktori päällä
	Ohjauspaneeli on lukittu	Tarkista, onko ohjauspaneeli lukittu ja avaa lukitus tarvittaessa
	Sähkösäätövikä (näytössä näkyy virheilmoitus)	Tarkista vikakoodi ohjausjärjestelmän käyttöoppaasta ja ota sitten

67

68

		yhteyttä jälleenmyyjään huolto varten
Poreallas käynnistyy automaattisesti	Suodatus toiminto on käynnissä	Tämä on järjestelmän automaattinen toiminto, joka ei vaadi toimenpiteitä Järjestelmä lopettaa toiminnan automaattisesti, kun toiminto on valmis
	Lämmitystoiminto on käynnissä	
	Jäätymisenestotoiminto on käynnissä	
Vesipumppu sammuu automaattisesti porealtaan ollessa käytössä	Pumpun käyntiaika on pidempi kuin järjestelmän oletusarvoinen enimmäiskäyntiaika	Käynnistä pumppu uudelleen painamalla pumppupainiketta
	Pumpun moottori on ylikuumentumissuojatilassa	Pysäytä pumppu yli tunniksi, kunnes se on jäähtynyt ja käynnistä se sitten uudelleen
Poreallas käynnistyy, kun se on täytetty kokonaan, ja vesipumput ovat päällä, mutta suihkusuuttimista ei tule vettä	Suuttimet ovat kiinni	Tarkista, ovatko suuttimet kiinni; jos kyllä, avaa ne
	Vesipumppu imee ilmaa	Yritä käynnistää vesipumput uudelleen useaan kertaan Jos tämä ei auta, avaa vesipumpun kansi vapauttaaksesi ilman ja käännä se sitten tiukasti kiinni Täytä sillä välin vettä suodattimen läpi, jotta vesipumpun sisäpuoli ei ime ilmaa
Poreallas lämpenee hitaasti	Lämpötila on asetettu matalaksi	Säädä lämpötilaa
	Suodatinpatruuna on likainen	Puhdista tai vaihda suodatin
	Porealtaassa ei ole suojaa, mikä aiheuttaa lämpöhäviöitä	Peitä poreallas suojalla, kun sitä ei käytetä
	Kiertopumppuun kytketyt	Avaa suuttimet

69

VAROITUS

Lisää tarkat määrät veteen ohjeiden mukaisesti. Älä sekoita eri tuotteita mahdollisten reaktioiden välttämiseksi. Älä tupakoi käsitellessäsi tuotteita – ne voivat olla syttyviä. Älä lisää kemiallisia tuotteita veteen, jos porealtaassa on henkilöitä. Säilytä pakkaukset tiivistä suljettuina kuivissa, hyvin ilmastoiduissa paikoissa ja poissa lasten ulottuvilta. Älä hengitä kemikaaleja, ja vältä niiden joutumista silmiin, nenään tai suuhun. Pese kädet käytön jälkeen. Noudata tuoteselosteessa annettuja hätäohjeita onnettomuuden tai nielemisen sattuessa.

Ulkoporealtaan puhdistus ja ylläpito

Vaikka ulkoporealtaan omistaminen on rentouttavaa ja terapeutista, on tärkeää huolehtia siitä kunnolla, pitää se kunnossa ja taloudellisesti kannattavana, jolloin vältytään tarpeettomilta ennenaikaisilta korjauskustannuksilta. Alla yksityiskohtainen kuvaus puhdistusmenettelyistä vaihe vaiheelta.

Ulkoporealtaan pintojen puhdistus ja ylläpito

Ulkoporealtaan pinta on valmistettu korkeakiteoisesta akryylistä. Se tulee pitää puhtaana. Suosittelemme puhdistamaan porealtaan ulkopinnan kerran viikossa ja puhdistamaan koko altaan tyhjennyksen jälkeen. Alla ovat yksityiskohtaiset vaiheet:

- Puhdista lika kostealla pyyhkeellä. Käytä neutraalia pesuainetta ja pehmeää pyyhettä. Älä käytä ketoni- tai kloorivettä sisältäviä pesuaineita.
- Jos pinnassa on pieniä naarmuja, kiillota se 2000-karkealla hiomapaperilla ja viimeistele hammastahnalla; kiillota sen jälkeen uudelleen pehmeällä pyyhkeellä.
- Älä puhdista porealtaan pintaa millään kemiallisilla liuoksilla/liuottimilla tai hankaavilla työkaluilla. Älä naarmuta porealtaan pintaa kovilla materiaaleilla tai veitsellä.
- Älä puhdista porealtaan pintaa kynsilakalla, kynsilakanpoistoaineella, kuivapesunesteellä, asetonilla, maalinpoistoaineella tms., sillä se vaurioittaa pintaa.
- Tupakanpää tai mikään yli 70 °C lämmönlähde ei saa koskettaa poreallasta.

Ohjauspaneelin ylläpito

- Älä kosketa ohjauspaneelia kovilla esineillä naarmuuntumisen välttämiseksi.
- Vältä suoraa auringonvaloa ohjauspaneeliin.
- Pidä ohjauspaneeli kuivana, kun poreallas ei ole käytössä.

Tyynyn ylläpito

- Puhdista tyyny neutraalilla pesuaineella.
- Liiallinen kloridipitoisten pesuaineiden ja otsonin käyttö saavat tyynyn haalistumaan. Poista tyyny porealtaasta aina käytön jälkeen. Käsittele sitä huolellisesti, sillä se ei kuulu takuun piiriin.

Ulkoporealtaan kannen ylläpito

	suuttimet ovat kiinni	
	Lämmitin on rikki	Ota yhteyttä paikalliseen jälleenmyyjään huolto varten
Suihkujen hierontavoima on pieni	Suuttimet eivät ole täysin auki	Avaa suuttimet
	Suuttimet ovat tukossa	Käännä suuttimen kantta vastapäivään niin paljon kuin mahdollista ja pakota sitä vastapäivään kiertääksesi suuttimet irti Tarkista, onko suuttimien sisällä vierasesineitä
	Ilmaventtiili on pois päältä	Avaa ilmaventtiiliin kytkin
	Vesiventtiili on kiinni, mikä estää veden ulospääsyn suuttimista	Käännä venttiilejä sääätäksesi vesisuihkuja
Vesisuihku on joskus voimakasta, joskus heikkoa	Vesipumpun ohjausventtiili ei ole täysin auki	Tarkista, onko vesipumpun venttiili täysin auki
	Imuputket tai suodatin ovat tukossa Vesipumpun ohjausventtiili ei ole täysin auki	Tarkista, onko imuputkissa tai suodattimissa vierasesineitä ja poista ne Tarkista, ovatko vesipumpun molemmat venttiilit täysin auki

Muiden erikoiskemikaalien käyttö

pH-tason säätämisen ja edellä mainittujen desinfiointimenetelmien lisäksi ulkoporealtaassa voidaan käyttää joitakin muita puhdistusaineita:

- **Kalkinpoistoaine:** Käytetään kalsiumsuolojen saostumien estämiseen tai vähentämiseen, erityisesti kovan veden alueilla. Käytä kerran viikossa ja aina veden vaihdon yhteydessä.
- **Levänestoaine:** Estää levän kasvua vedessä. Käytä kerran viikossa ja aina veden vaihdon yhteydessä.
- **Vaahdonpoistoaine:** Estää vaahdon syntymistä. Käytä kerran viikossa ja aina veden vaihdon yhteydessä.

- Puhdista kansi saippuavedellä. Varmista, ettei saippuavesi pääse porealtaan sisälle.
- Älä tartu tai vedä kannen keskellä olevasta taitteesta; se rikkoutuu helposti.
- Älä istu, makaa tai hypi kannen päällä. Tästä aiheutuneet vauriot eivät välttämättä kuulu takuun piiriin.

Huomaa: Peitä poreallas aina käytön tai puhdistuksen jälkeen. Peittämättä jättäminen voi mitätöidä porealtaan ja sen lisävarusteiden takuun.

Suodattimen ylläpito

Suodattimet tulevat puhdistaa säännöllisesti. Irrota suodattimet kerran viikossa ja huuhtelee niissä olevat roskat korkeapaineletkulla. Suodattimet tulevat liottaa kerran kuukaudessa suodatinpatruunan puhdistusliuoksessa ja sitten huuhdella korkeapaineletkulla.

Suodattimen puhdistus

1. Katkaise virta.
2. Poista patruuna; lue suodattimen poisto-ohjeet ennen toimenpiteen suorittamista.
3. Irrota suodatin patruunasta kääntämällä sitä vastapäivään.
4. Puhdista patruuna vedellä, kunnes siinä ei ole jäämiä.
5. Suihkuta suodatin vedellä ylhäältä alas noin 45° kulmassa (katso oikealla olevia kuvia).
6. Aenna suodatin ja patruuna puhdistuksen jälkeen.
7. Kytke virta päälle.

Varoitus: Kun poistat suodattimet, varmista **aina**, että porealtaan virta on katkaistu ennen toimenpiteen suorittamista. Jos jätät virran päälle ja jotain joutuu pumppuun tai lämmittimeen, mikä aiheuttaa jommankumman vaurioitumisen, vika ei kuulu takuun piiriin.

Takuun voimassaolo ja kattavuus

Yrityksemme tarjoaa rajoitetun 2 vuoden takuun, joka kattaa valmistusvirheet ja viat, jotka johtuvat suoraan tuotteen suunnittelusta, materiaaleista tai valmistuksesta. Tämä takuu koskee vain tuotteita, joita käytetään yksinomaan yksityisiin, henkilökohtaisiin ja ei-kaupallisiin tarkoituksiin.

Kaikki korjaukset tai vaihdot eivät pidennä tai uusi alkuperäistä takuuajaa. Tämä koskee vain osia, ellei toisin ole mainittu kirjallisesti. Kuljetusvaurioihin liittyvistä takuuvaatimuksista tulee ilmoittaa 24 tunnin kuluessa toimituksesta asianmukaisten asiakirjojen ja kuvien kera, ja kuljettajan on kuitattava ne. Kaikki luvattomat korjausyritykset tai kuvattujen prosessien laiminlyönnit voivat mitätöidä takuun.

Seuraavat kohdat eivät kuulu takuun piiriin:

- Kaikki vauriot, jotka johtuvat käyttöohjeiden vastaisesta käytöstä tai ylläpidosta.
- Ihmisen aiheuttamat vauriot.

71

70

72

- Kaikki tuotteeseen ilman valmistajan lupaa tehdyt muutokset.
- Kuoren pinnan vauriot tai värimuutokset, jotka johtuvat syövyttävien tai sopimattomien puhdistusaineiden käytöstä.
- Väärästä kuljetuksesta tai varastoinnista aiheutuneet vauriot.
- Luonnonilmiöiden aiheuttamat vauriot.
- Luonnollinen värin haalistuminen.

Rajoitettu takuu: Valmistaja pidättää oikeuden lopulliseen tulkintaan.

Erityishuomautus: Rajoitettu takuu alkaa valmistajan tuotantopäivästä, jolloin tuote katsotaan merkittävästi valmistuneeksi.

Suorituskykyilmoitus

1. Tuotetyypin yksilöllinen tunnistuskoodi:
Tuotenumero (katso osion alaosa)
 2. Käyttötarkoitus:
Ulkoporeallas kotikäyttöön – hyvinvointi/henkilökohtainen hygienia
 3. Maahantuoja:
Beliani GmbH
Haldenstrasse 5
6340 Baar
Sveitsi
Puhelin +41 43 5082233
 4. Valtuutettu edustaja: %
 5. Suoritusasteen jatkuvuuden arviointi- ja todentamisyjärjestelmä: Järjestelmä 1
 - c. Yhdenmukaistetut standardit:
EN55014-1:2006/+A1:2009/+A2:2011
EN55014-2:2015
EN61000-3-12:2011
EN61000-3-11:2000
EMC-direktiivi (2014/30/EU)
EN60335-2-60:2003+A1:2005+A2:2008+A11:2010+A12:2010
EN60335-1:2012+AC:2014+A11:2014
EN62233:2008
Pienjännitedirektiivi (2014/35/EU)
 - d. Eurooppalainen arviointiasiakirja: %
Eurooppalainen tekninen arviointi: %
Tekninen arviointilaitos: %
Ilmoitettu laitos: %
6. Ilmoitettu suorituskyky:

Olenaiset ominaisuudet	Suorituskyky	Yhdenmukaistettu tekninen eritelmä
Käyttäjäturvallisuus	Täytetty	EN 60335-2
Toiminta (normaali ja epänormaali)	Täytetty	EN 60335-1 EN 62233
Pienjännitedirektiivi	Täytetty	
Sähkömagneettinen yhteensopivuus (EMC)	Täytetty	EN 55014-1 EN 55014-2 EN 61000-3-12 EN 61000-3-11

7. Asianmukaiset tekniset asiakirjat tai erityiset tekniset asiakirjat:

Raportin nro: 60445226 001 TÜV Rheinland

Raportin nro: 60445226 001 TÜV Rheinland

Edellä mainitun tuotteen suorituskyky vastaa ilmoitettuja suorituskykyjä. Edellä mainittu maahantuoja on yksin vastuussa tämän suoritusasteilmoituksen laatimisesta asetuksen (EU) N:o 305/2011 mukaisesti.

Liite

Artikkelin numero	Artikkelin nimi
37979 (E-351S) CALIMA	Ulkoporeallas
37981 (M-530D) VILLARRICA	Ulkoporeallas
37983 (E-310S) MARFIL	Ulkoporeallas

Maahantuojan ja valmistajan puolesta allekirjoittanut:

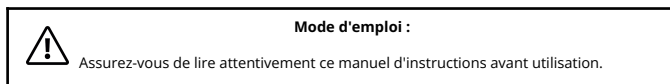
Michael Widmer, toimitusjohtaja

6340 Baar, 20.05.2024

73

74

Français (FR)



Avec une préparation et un entretien appropriés, votre spa vous offrira de nombreuses années de plaisir et de détente. Ce manuel a été conçu pour fournir toutes les informations essentielles concernant la préparation, l'installation, l'entretien et le fonctionnement de votre nouveau spa. Veuillez prendre le temps de le lire en entier pour une utilisation correcte et sécuritaire de votre spa.

Fonctions principales et caractéristiques du produit :

- **Fonction hydrothérapie :** Le spa est équipé de sièges d'hydrothérapie spécialement conçus pour soutenir le corps. Réglez la pression du massage en modifiant les réglages, le déviateur d'eau et le régulateur d'air.
- **Fonction de thérapie par soufflerie d'air :** Activez le souffleur d'air pour libérer un grand volume de bulles d'air à travers des jets d'air spécialement conçus, créant ainsi une expérience de massage à bulles à la fois thérapeutique et amusante.
- **Fonction de chauffage :** Le spa chauffe l'eau et permet aux utilisateurs de régler à la température souhaitée. Le système de chauffage maintient cette température, garantissant ainsi une utilisation tout au long de l'année.
- **Fonction de filtration et de circulation :** Le spa est équipé d'un système de filtration avec filtre intégré et stérilisation à l'ozone. Tout en filtrant les impuretés, le système lance automatiquement le cycle de filtration pour éliminer les bactéries grâce à l'ozone produit par l'ozonateur.
- **Éclairage :** L'éclairage LED subaquatique sublime l'ambiance du spa. Contrôlé par un panneau, ce système d'éclairage illumine l'eau et crée une ambiance romantique et apaisante.

Déclaration importante : Toutes les fonctions mentionnées ci-dessus sont des descriptions générales de nos produits de spa. Les caractéristiques spécifiques de votre spa peuvent différer. Veuillez vérifier ces informations avant tout achat. Le fabricant se réserve le droit de modifier ou d'améliorer ses produits sans préavis et sans aucune obligation de sa part.

Instructions importantes

Il est essentiel de vous familiariser avec les procédures générales de sécurité et de traitement de l'eau des spas. Veuillez vous assurer de bien comprendre les informations suivantes :

- **Besoin de drainage :** Assurez-vous que le spa n'est pas installé dans une zone basse ou sujette aux inondations, car cela pourrait provoquer une panne de l'équipement électrique ou présenter un danger pour les utilisateurs du spa.
- **Risque de choc électrique :** Comme pour tout appareil électrique, il existe un risque de choc électrique. Le compartiment moteur, situé dans l'armoire, abrite l'unité de commande du spa. Ce compartiment doit toujours rester fermé. Si de l'eau pénètre dans le compartiment moteur, coupez l'alimentation électrique du spa et assurez-vous que tous les composants sont parfaitement secs avant de tenter de le redémarrer.
- **Température :** Maintenez la température de l'eau du spa à un niveau ne dépassant pas 40 °C. Des températures plus élevées peuvent endommager le système cardiovasculaire. Si la température dépasse 40 °C, quittez le spa et contactez immédiatement votre revendeur. Il est recommandé que la température de l'eau ne dépasse pas la température corporelle normale (environ 37,5 °C).
- **Conditions médicales :**
 - Les personnes souffrant de diabète, d'hypertension artérielle, de problèmes cardiaques ou d'autres problèmes cardiovasculaires doivent consulter un médecin avant d'utiliser le spa.
 - Pour réduire la contamination et les risques pour la santé, prenez une douche avec de l'eau et du savon avant d'entrer dans le spa.
 - Toute personne présentant des plaies ouvertes ou une quelconque forme d'infection ne doit pas utiliser le spa.
 - L'eau chaude peut être un environnement idéal pour les bactéries, surtout si les niveaux de désinfectant ne sont pas correctement maintenus.
 - Les femmes enceintes doivent toujours consulter leur médecin avant d'utiliser un spa.
- **Temps en immersion et temps de refroidissement :** Limitez les séances de spa à 15-20 minutes à la fois. Certains spas sont équipés d'un siège rafraîchissant. Si vous commencez à avoir trop chaud, asseyez-vous dessus et laissez votre corps se refroidir. Une fois à l'aise, vous pourrez rentrer lentement dans l'eau. S'asseoir dans un spa, la poitrine au-dessus de la ligne d'eau, réduit le temps nécessaire pour se rafraîchir. Évitez toute exposition prolongée à une eau dont la température est supérieure à la température normale du corps, car cela peut être dangereux.
- **Consommation d'alcool et de médicaments :** La consommation d'alcool dans et autour du SPA est hautement dangereuse. N'utilisez jamais de récipients en verre à proximité du SPA. L'alcool augmente le risque de noyade. Toute personne sous traitement médical doit consulter son médecin avant d'entrer dans le SPA.
- **Sécurité des enfants :** Les enfants ne doivent pas utiliser le spa sans surveillance.
- **Prévenir les glissades :** Soyez toujours prudent lorsque vous entrez et sortez du spa, car les surfaces mouillées ou irrégulières peuvent être glissantes. Utilisez des rampes et des

75

76

surfaces antidérapantes pour réduire les risques de chute. Dans certains cas, des marches peuvent être nécessaires pour faciliter l'entrée et la sortie.

- **Appareils électriques** : Ne placez jamais d'appareils électriques à moins de 2 mètres du SPA.
- **Conditions météorologiques** : N'utilisez pas et ne faites pas fonctionner le SPA dans des conditions météorologiques extrêmes, telles que des orages, des cyclones ou des perturbations électriques.
- **Ventilation** : Si la zone du spa n'est pas correctement ventilée, les utilisateurs peuvent ressentir une irritation de la gorge. Veillez à installer le spa dans un endroit bien ventilé, en particulier si celui-ci est clos.
- **Produits chimiques** : Les produits chimiques sont essentiels pour maintenir une eau propre, prévenir la prolifération bactérienne et prolonger la durée de vie de votre spa et de ses composants. Cependant, utilisés sous forme concentrée (comme certains produits chimiques ménagers), ils peuvent être dangereux. Manipulez toujours les produits chimiques pour spa avec précaution et respectez les consignes de sécurité. Consultez l'étiquette et la documentation de sécurité du produit. Pour plus d'informations sur l'utilisation sécuritaire des produits chimiques, consultez la section « Gestion des produits chimiques ».

Installation du spa

Faites toujours appel à un professionnel qualifié pour l'installation de votre spa. Le fabricant décline toute responsabilité en cas de dommage causé par une installation incorrecte ou par des travaux effectués par des personnes non qualifiées.

Positionnement et emplacement du spa

- Le spa doit être positionné de manière à faciliter l'accès pour l'entretien et la maintenance. La plupart des équipements sont situés à l'avant du spa et doivent rester accessibles pour le branchement électrique et l'entretien.
- Il est recommandé de laisser au moins 1,2 mètre d'espace libre autour des quatre côtés du SPA pour un accès futur.
- Le propriétaire est tenu de s'assurer que l'installation est correctement effectuée avant le démarrage.
- Tout équipement de spa portable nécessite une ventilation. Ne bloquez pas les ouvertures d'aération du meuble.
- Placez le SPA loin des arbres pour éviter que les feuilles ne bloquent le filtre.

Remarque importante :

Ne laissez pas votre spa en plein soleil pendant une période prolongée. Cela pourrait annuler votre garantie. La coque et la tuyauterie du spa sont isolées. En cas d'exposition directe au soleil, la température de surface peut atteindre 200 °C, ce qui peut endommager le spa.

77

Entretien du spa

Posséder un spa est agréable, relaxant et thérapeutique, mais il est important d'entretenir votre investissement pour le maintenir rentable et en bon état, évitant ainsi des frais de réparation inutiles et prématurés. Vous trouverez ci-dessous un guide simple, étape par étape.

Remplir votre SPA

1. Avant de remplir votre SPA, veuillez vérifier et serrer tous les connecteurs sous tension, car ils peuvent se desserrer pendant le transport.
2. Veuillez vérifier et vous assurer que tous les clapets anti-retour sont en position ouverte.
3. Vérifiez que la vanne de vidange est fermée.
4. Assurez-vous que tous les jets sont ouverts. Tournez dans le sens des aiguilles d'une montre pour les ouvrir.
5. Remplissez votre spa d'eau. Remplissez à travers le filtre pour éviter les blocages d'air dans les pompes.
6. Remplissez d'eau jusqu'à atteindre le niveau d'eau requis.

Note : Pour éviter d'endommager les composants, NE remplissez PAS votre SPA d'eau chaude à plus de 40°C.

Vidange de votre SPA

Si vous n'utilisez votre spa qu'une ou deux fois par semaine, la vidange sera moins fréquente que pour ceux qui l'utilisent trois fois ou plus par semaine. Il est donc recommandé de vidanger le spa au moins tous les trois mois.

La vanne de vidange se trouve à l'avant de la base. Les instructions de vidange sont les suivantes :

1. Retirez le couvercle de la vanne de vidange en tournant dans le sens inverse des aiguilles d'une montre
2. Connectez votre tuyau à la vanne de drainage (diamètre du tuyau : ¾" ou 19,04 mm)
3. Tirez et dévissez jusqu'à ce que l'eau commence à couler

Note : Assurez-vous que l'alimentation est coupée avant la vidange. Les dommages causés par un fonctionnement à sec ne sont pas couverts par la garantie.

Instructions du panneau de commande du SPA

Pour le fonctionnement du panneau de commande du SPA, veuillez vous référer au manuel d'utilisation du système de commande et au guide d'utilisation rapide.

Instructions de jet

Il est recommandé de toujours utiliser la housse rigide lorsque le spa n'est pas utilisé et de le placer dans un endroit protégé des intempéries. Laisser le spa découvert et exposé pourrait annuler la garantie du spa et de ses accessoires.

Exigence d'emplacement

- Avant l'installation, il est conseillé de consulter un professionnel pour confirmer la position appropriée du SPA.
- Évitez de placer le spa à un endroit où l'eau pourrait inonder le compartiment électrique. Veillez également à ce qu'il soit protégé du contact direct avec des zones très humides.
- Positionnez le SPA horizontalement, en vous assurant que toute la base de l'appareil repose sur une surface lisse, plane et de niveau capable de supporter le poids lorsqu'il est entièrement rempli d'eau, ainsi que le poids des baigneurs (nécessite une capacité de poids de 1 000 kg).
- Le spa ne doit pas être placé sur une surface courbe, molle, sablonneuse ou sur des blocs.

Installation électrique

- L'alimentation électrique de votre nouveau spa doit être assurée par un circuit dédié, sans aucun autre appareil ni prise de courant. Les dommages causés par un ampérage incorrect NE SONT PAS couverts par la garantie. Consultez un électricien qualifié pour le raccordement électrique.
- Assurez-vous que votre nouveau spa est correctement relié à la terre. L'alimentation électrique principale doit être équipée d'un dispositif différentiel résiduel (DDR) haute sensibilité. Un disjoncteur différentiel de 30 mA est recommandé.

Veillez sélectionner une taille de câblage appropriée :

Puissance (KW)	2,1	2,5	2,8	3,2	3,5	4,4	5,3	6,2	7,0	7,9	8,8
Distance du produit											
6 - 11 mètres	2,5	2,5	2,5	2,5	4	4	6	10	10	10	10
11 - 15 mètres	2,5	2,5	2,5	4	4	4	6	6	10	10	10
15 - 20 mètres	4	4	4	4	6	6	10	10	10	16	16

78

Les jets sont les principaux éléments responsables du massage. Vous pouvez régler le débit d'eau en tournant la tête du jet.

- Tournez le couvercle du jet dans le sens des aiguilles d'une montre d'environ 1/4 de tour pour ouvrir les jets.
- Tournez le couvercle du jet dans le sens inverse des aiguilles d'une montre d'environ 1/4 de tour pour fermer les jets.

Note : Certains jets et buses d'air ne sont pas réglables. Ne les faites pas tourner avec force, car cela pourrait les endommager.

Instructions de contrôle des jets d'air

- Les commandes d'air modifient la pression de vos jets en ajoutant de l'air. Votre spa peut être équipé de plusieurs commandes d'air, chacune étant associée à un groupe de jets spécifiques. En ouvrant une commande d'air, davantage d'air sera injecté dans le jet d'eau.
- Lorsque la commande d'air est tournée dans le sens des aiguilles d'une montre, la puissance des jets de massage diminue.
- En le tournant dans le sens inverse des aiguilles d'une montre, la puissance des jets de massage augmente.

Note : Pour une meilleure efficacité de chauffage, veuillez désactiver les commandes d'air. Le ventilateur peut refroidir l'eau du spa.

Instructions pour le déviateur d'eau

Le déviateur d'eau permet de régler la puissance du massage. Sa rotation contrôle le débit d'eau entre les jets. En le tournant, vous ajustez la puissance du massage des différents groupes de jets.

GESTION ET ENTRETIEN DE L'EAU DU SPA

Veillez noter que ces instructions constituent un guide général pour le maintien de la qualité de l'eau de votre spa. Avant toute intervention, veuillez consulter votre spécialiste SPA local pour connaître la quantité de désinfectant à utiliser et les procédures adaptées à la capacité de votre spa.

- Vous ne devez jamais utiliser de produits chimiques de mauvaise qualité ou d'équipements incompatibles, car cela pourrait entraîner des dommages.
- Les produits chimiques ne seront pas couverts par la garantie.
- Veuillez faire analyser l'eau par un professionnel au moins une fois par mois. Il est également recommandé de la faire analyser chaque semaine. Lorsque vous ajoutez des produits chimiques, mélangez-les dans de l'eau pendant 20 à 30 minutes et assurez-vous que toutes les substances sont complètement dissoutes.

79

80

L'effet et l'ajustement du pH

- Un pH faible (inférieur à 7,2) entraîne un mauvais fonctionnement des désinfectants, augmente le risque de corrosion des surfaces et des composants et peut provoquer une irritation de la peau et des yeux.
- Si le pH est élevé (supérieur à 7,6), les désinfectants à base de chlore perdent leur efficacité ; l'eau peut devenir trouble et du tartre peut apparaître sur les surfaces et les radiateurs du spa.

ATTENTION ! Le niveau de pH mesure l'acidité/alcalinité de l'eau :

- Alcalinité : les valeurs supérieures à 7 sont alcalines ; celles inférieures à 7 sont acides.
- Une plage de pH comprise entre 7,2 et 7,6 est recommandée.

AVERTISSEMENT : Veuillez vous assurer que le pH est maintenu à un niveau correct. Tout dommage causé par un pH incorrect ne sera pas couvert par la garantie de votre spa.

Ajustement du pH

- Vérifiez quotidiennement le pH de l'eau du spa à l'aide du testeur de pH (non fourni). Si le pH est hors de la plage recommandée, n'utilisez pas le spa. Attendez deux heures et refaites le test.
- Si le pH reste incorrect, faites fonctionner la pompe pendant 2 heures supplémentaires et revérifiez.
- Si le résultat est toujours incorrect : Retirez le couvercle du spa et testez à nouveau après avoir ajouté le pH ou l'alcalinisant/acidifiant approprié (à utiliser uniquement comme indiqué). Mélangez bien, puis refaites le test après 20 minutes.

Désinfection de l'eau

- La désinfection est essentielle pour détruire les algues, les bactéries et autres agents pathogènes présents dans l'eau. Cependant, une utilisation excessive de désinfectant peut provoquer une irritation cutanée ou oculaire.
- **Comprimés de bromure :** Sûr et approprié à l'utilisation. Placer dans le préfiltre ; se dissout progressivement.
- Vérifiez quotidiennement les niveaux de bromure résiduel à l'aide d'un kit de test. Niveaux recommandés : 2,2 à 3,3 ppm.

Désinfection à l'ozone

- L'ozone (O₃) est un désinfectant puissant et inodore.
- La plupart des spas sont équipés de 1 à 2 générateurs d'ozone.
- Le système injecte automatiquement de l'ozone dans l'eau du spa via les jets.

- L'ozone doit être libéré une fois par jour. La désinfection à l'ozone recommandée est d'une durée quotidienne de 1 à 2 heures.
- La durée de vie du générateur d'ozone dépend de l'utilisation et doit être vérifiée régulièrement.

Retrait et installation du filtre

Retrait de la cartouche et du filtre :

- Ouvrez le couvercle de la cartouche sur le côté supérieur.
- Retirez le couvercle du filtre et tournez dans le sens inverse des aiguilles d'une montre pour retirer le filtre en papier.
- Pour installer le filtre à cartouche, inversez ces étapes.

Retrait des filtres à double accès avant :

- Soulevez le panneau avant et tirez l'écran latéralement.
- Tournez dans le sens inverse des aiguilles d'une montre pour retirer le filtre en papier.
- Pour installer les filtres à double accès avant, inversez ces étapes.

Retrait du grand filtre d'arrêt d'accès avant :

- Retirez le couvercle supérieur.
- Tournez dans le sens inverse des aiguilles d'une montre pour retirer le filtre en papier.
- Pour installer le filtre d'arrêt d'accès avant, inversez ces étapes.

Lorsque votre spa n'est pas utilisé

Si vous partez pour une période de plus de deux mois, il est recommandé d'éteindre et de vider votre spa. N'oubliez pas de laisser la couverture en place même vide pour protéger la coque. Si vous partez pour quelques jours ou semaines, n'éteignez pas complètement votre spa. Baissez la température à 15 °C pour que les cycles de filtration continuent de fonctionner, mais que le spa ne chauffe pas.

- **3 à 5 jours :** Ajustez le pH et le traitement de l'eau (pour plus de détails, veuillez consulter la section Entretien de l'eau), puis couvrez le spa. Ajustez le pH et le traitement de l'eau lorsque vous réutilisez le spa.
- **5 à 14 jours :** Réglez la température la plus basse ou le mode veille. Ajustez le pH et le traitement de l'eau (pour plus de détails, veuillez consulter la section Entretien de l'eau), couvrez le spa et ajustez le pH et le traitement de l'eau lorsque vous réutilisez le spa.
- **Plus de 15 jours :** Coupez l'alimentation électrique, ouvrez le robinet de vidange et videz complètement le spa. Retirez le filtre, gardez le spa au sec et couvrez-le.

Dépannage

81

82

Problème	Causes possibles	Solution
Le message d'erreur apparaît sur l'écran LCD ; le spa cesse de fonctionner	Le système de contrôle dispose d'une fonction de diagnostic numérique qui cessera de fonctionner s'il y a un problème dans le spa, et il redémarrera lorsque le dépannage sera résolu.	Veuillez vérifier le message d'erreur dans le manuel du système de contrôle, puis contactez votre revendeur local pour effectuer la maintenance.
Le spa ne peut démarrer dans aucun mode	L'alimentation est coupée	Vérifiez si l'interrupteur d'alimentation ou le contacteur est allumé.
	Le panneau de commande est verrouillé	Vérifiez si le panneau de commande est verrouillé et déverrouillez-le si nécessaire
	Panne de commande électrique (l'écran affiche un message d'erreur)	Vérifiez le code défaut dans le manuel de contrôle, puis contactez votre revendeur pour effectuer l'entretien.
Le spa s'active automatiquement	La fonction de filtration est en cours d'exécution	Il s'agit d'une fonction automatique du système ; aucune maintenance n'est requise. Le système s'arrêtera automatiquement une fois la fonction terminée. Aucune intervention de l'utilisateur n'est requise.
	La fonction de chauffage est en cours d'exécution	
	La fonction antigel est en cours d'exécution	
La pompe à eau s'éteint automatiquement lors de l'utilisation du spa	Le temps de fonctionnement de la pompe est supérieur au temps de fonctionnement maximal par défaut du système	Appuyez à nouveau sur le bouton de la pompe pour la redémarrer. Laissez la pompe fonctionner.
	Le moteur de la pompe est en mode de protection contre la surchauffe	Arrêtez la pompe pendant plus d'une heure jusqu'à ce qu'elle refroidisse, puis redémarrez-la.
Le spa s'allume après s'être complètement rempli d'eau, puis les pompes à eau sont	Les jets sont fermés	Vérifiez si les jets sont fermés ; si ce n'est pas le cas, ouvrez-les

également allumées, mais aucune eau ne sort des jets	La pompe à eau aspire de l'air	Essayez de démarrer les pompes à eau à plusieurs reprises. Si le problème persiste, ouvrez le couvercle de la pompe pour évacuer l'air, puis revissez-le fermement. Pendant ce temps, remplissez le filtre d'eau pour éviter que l'intérieur de la pompe n'aspire de l'air.
Le spa chauffe lentement	Ensemble basse température	Réinitialiser la température
	La cartouche filtrante est sale	Nettoyage ou remplacement du filtre
	Pas de couverture sur le spa, provoquant une perte de chaleur	Remettre la couverture sur le spa lorsqu'il n'est pas utilisé
	Le jet relié à la pompe de circulation est fermé	Ouvrir les jets
La puissance de massage des jets est faible	Le chauffage est cassé	Contactez votre revendeur local pour effectuer l'entretien
	Les jets ne sont pas complètement ouverts	Ouvrir les jets
	Les jets sont obstrués	Tournez le couvercle des gicleurs dans le sens inverse des aiguilles d'une montre jusqu'à son extrémité, puis forcez dans le même sens pour faire sortir les gicleurs. Vérifiez la présence de corps étrangers à l'intérieur des gicleurs.
Vanne d'air fermée		Ouvrez l'interrupteur de la vanne d'air.
	Vanne d'eau fermée, empêchant l'eau de sortir des jets	Tournez les vannes pour réguler les jets d'eau.

83

84

	La vanne de commande de la pompe à eau n'est pas complètement ouverte	Vérifiez si la vanne de la pompe à eau est complètement ouverte.
Le jet d'eau qui pulvérise est parfois fort, parfois faible	Les tuyaux d'aspiration ou le filtre sont obstrués. La vanne de régulation de la pompe à eau n'est pas complètement ouverte.	Vérifiez si l'aspiration ou le filtre contiennent des corps étrangers et retirez-les. Vérifiez que les deux vannes de la pompe à eau sont complètement ouvertes.

L'application d'autres produits chimiques spéciaux

Outre l'ajustement du pH et les méthodes de désinfection mentionnées ci-dessus, il existe certains produits de nettoyage qui peuvent être utilisés dans l'eau du spa :

- **ANTI-CALCAIRE** : Il peut être utilisé pour prévenir/réduire la précipitation des sels de calcium (tartre), notamment dans les régions où l'eau est dure. À utiliser une fois par semaine et à chaque renouvellement d'eau.
- **ALGICIDE SPA** : Empêche la prolifération d'algues dans l'eau. À utiliser une fois par semaine et à chaque renouvellement d'eau.
- **ANTIMOUSSE** : Empêche la formation de mousse dans l'eau. À utiliser une fois par semaine et à chaque renouvellement d'eau.

AVERTISSEMENT

Ajoutez les quantités exactes à l'eau, comme indiqué. Ne mélangez pas les produits pour éviter toute réaction. Ne fumez pas en manipulant ces produits ; ils peuvent être inflammables. N'ajoutez pas de produits chimiques à l'eau si une personne se trouve dans le spa. Conservez les récipients hermétiquement fermés dans un endroit sec et bien ventilé, et gardez ces produits hors de portée des enfants. N'inhaliez pas les produits chimiques et veillez à ce qu'ils n'entrent pas en contact avec les yeux, le nez ou la bouche. Lavez-vous les mains après utilisation. Suivez les instructions d'urgence figurant sur l'étiquette du produit en cas d'accident ou d'ingestion.

Nettoyage et entretien du SPA

Posséder un spa est à la fois relaxant et thérapeutique, mais surtout, il est important d'en prendre soin pour le maintenir en bon état et de manière économe, afin d'éviter des réparations prématurées et inutiles. Vous trouverez ci-dessous une procédure simple, étape par étape.

Nettoyage et entretien des surfaces de spa

La surface du spa est en acrylique brillant. Elle doit être maintenue propre. Nous vous suggérons de nettoyer la surface extérieure du spa une fois par semaine et de nettoyer l'ensemble du spa après la vidange. Voici les étapes détaillées :

- Nettoyez la saleté avec un chiffon humide. Vous pouvez utiliser un détergent neutre et un chiffon doux. N'utilisez pas de détergents contenant des cétones ou de l'eau chlorée.
- Si la surface présente de légères rayures, veuillez la polir avec du papier de verre grain 2000 et la retoucher avec du dentifrice, puis la repolir avec une serviette douce.
- Veuillez ne pas nettoyer la surface du spa avec des solutions chimiques, des solvants ou des outils abrasifs. Ne rayez pas la surface du spa avec des objets durs ou un couteau.
- Veuillez ne pas nettoyer la surface du spa avec du vernis à ongles, du dissolvant pour vernis à ongles, du liquide de nettoyage à sec, de l'acétone, du dissolvant pour peinture, etc. car cela endommagerait la surface.
- Aucun mégot de cigarette ni source de chaleur supérieure à 70°C ne doit toucher votre spa.

Maintenance du panneau de contrôle

- Veuillez ne pas toucher le panneau de commande avec des objets durs pour éviter les rayures.
- Veuillez éviter la lumière directe du soleil sur le panneau de commande.
- Veuillez garder le panneau de commande sec lorsque le spa n'est pas utilisé.

Entretien des coussins

- Nettoyez les coussins avec un détergent neutre.
- Un excès de détergent chloré et d'ozone décolorera les coussins. Veuillez retirer les coussins après utilisation du spa. Manipulez-les avec précaution, car ils ne sont pas couverts par la garantie.

Entretien de la couverture du spa

- Nettoyez la couverture avec de l'eau savonneuse. Veillez à ce que l'eau savonneuse ne pénètre pas à l'intérieur du spa.
- Veuillez ne pas saisir ou tirer le lien au milieu de la couverture ; elle se casse facilement.
- Veuillez ne pas vous asseoir, vous allonger ou sauter sur la housse. Les dommages causés pourraient ne pas être couverts par la garantie.

Note : Veuillez couvrir le spa après utilisation ou nettoyage. Laisser le spa découvert et exposé peut annuler la garantie de votre spa et de ses accessoires.

85

86

Entretien du filtre

Vous devez nettoyer vos filtres régulièrement. Une fois par semaine, retirez-les et nettoyez-les avec un jet haute pression. Une fois par mois, trempez-les dans une solution nettoyante pour filtres à cartouche, puis nettoyez-les avec un jet haute pression.

Nettoyage du filtre

1. Coupez l'alimentation.
2. Retirez la cartouche ; veuillez lire les instructions de retrait du filtre avant de le faire.
3. Retirez le filtre de la cartouche en le tournant dans le sens inverse des aiguilles d'une montre.
4. Nettoyez la cartouche avec de l'eau jusqu'à ce qu'il n'y ait plus de résidu.
5. Vaporisez le filtre avec de l'eau, de haut en bas, à un angle de 45° (Se référer aux photos à droite).
6. Installez le filtre et la cartouche après le nettoyage.
7. Allumez l'appareil.

Avvertissement : Lorsque vous retirez vos filtres, assurez-vous TOUJOURS que l'alimentation de votre spa est coupée. Si vous laissez l'alimentation allumée et que quelque chose est aspiré dans la pompe ou le réchauffeur, provoquant ainsi une panne, le défaut ne sera pas couvert par la garantie.

Performances et couverture de la garantie

Notre entreprise offre une garantie limitée de deux ans couvrant les défauts de fabrication et les vices directement imputables à la conception, aux matériaux ou à la fabrication du produit. Cette garantie s'applique uniquement aux produits utilisés à des fins privées, personnelles et non commerciales.

Toute réparation ou tout remplacement ne prolonge ni ne renouvelle la période de garantie initiale. La garantie ne couvre que les pièces, sauf mention contraire écrite. Pour toute réclamation relative à un dommage lié au transport, celui-ci doit être signalé dans les 24 heures suivant la livraison, accompagné des documents et photos appropriés, et confirmé par le livreur. Toute tentative de réparation non autorisée ou le non-respect de la procédure décrite peut annuler la garantie.

Les éléments suivants sont spécifiquement exclus de toute couverture de garantie :

- Tout dommage résultant d'une utilisation ou d'un entretien inapproprié non conforme au manuel d'utilisation.
- Dommage causé par tout facteur humain.
- Toute modification du produit sans l'autorisation du fabricant.

- Dommages ou décoloration de la surface de la coque en raison d'agents de nettoyage corrosifs ou inappropriés.
- Dommages résultant d'un transport ou d'un stockage inapproprié.
- Dommages dus à des cas de force majeure.
- Décoloration naturelle.

Garantie limitée : Le fabricant de production se réserve le droit de donner une explication finale.

Note de déclaration spéciale : La garantie limitée est valable à compter de la date d'achèvement substantiel de la production du fabricant.

87

88

Déclaration de performance

- Code d'identification unique du type de produit :
Numéro de produit (voir en bas de la page)
- Utilisation prévue :
Spa à remous à usage domestique, à des fins de bien-être/hygiène personnelle
- Importateur :
Acheter GmbH
Haldenstrasse 5
6340 Baar
Suisse
Téléphone +41 43 5082233
- Représentant autorisé : %
- Système d'évaluation et de vérification de la constance des performances : Système 4
 - Normes harmonisées :
EN55014-1:2006/+A1:2009/+A2:2011
EN55014-2:2015 EN61000-3-12:2011
EN61000-3-11:2000
La directive CEM (2014/30/UE)
EN60335-2-60:2003+A1:2005+A2:2008+A11:2010+A12:2010
EN60335-1:2012+AC:2014+A11:2014
EN62233:2008
Directive Basse Tension (2014/35/UE)
 - Document d'évaluation européen : %
Évaluation technique européenne : %
Organisme d'évaluation technique : %
Organisme notifié : %
- Performances déclarées :

Caractéristiques essentielles	Performance	Spécification technique harmonisée
Sécurité de l'utilisateur	Conforme	EN 60335-2 EN 60335-1 EN 62233
Fonctionnement (normal et anormal)	Conforme	
Directive Basse Tension	Conforme	
Compatibilité électromagnétique (CEM)	Conforme	EN 55014-1 EN 55014-2 EN 61000-3-12

89

		EN 61000-3-11
--	--	---------------

- Documentation technique appropriée ou documentation technique spécifique :
Rapport n° : 60445226 001 TÜV Rheinland
Rapport n° : 60445226 001 TÜV Rheinland

Les performances du produit susmentionné sont conformes aux performances déclarées. L'importateur susmentionné est seul responsable de l'établissement de la déclaration des performances conformément au Règlement (UE) n° 305/2011.

Appendice

Numéro d'article	Type d'article
37979 (E-351S) CINQUIÈME	Spa à remous
37981 (M-530D) VILLARRICA	Spa à remous
37983 (E-310S) IVOIRE	Spa à remous


Signé pour et au nom de l'importateur par :
Michael Widmer, directeur général



6340 Baar, 20.05.2024

90

Deutsch (DE)



Gebrauchsanleitung:

Diese Gebrauchsanleitung unbedingt vor Installation sorgfältig lesen.

Bei sachgemäßer Vorbereitung und regelmäßiger Pflege wird Ihr Whirlpool über viele Jahre hinweg zuverlässige Entspannung und Freude bieten. Dieses Handbuch enthält alle wichtigen Angaben zur Vorbereitung, Installation, Pflege und Inbetriebnahme Ihres neuen Whirlpools. Damit Ihr Whirlpool sicher und ordnungsgemäß genutzt werden kann, lesen Sie bitte das gesamte Handbuch sorgfältig durch.

Hauptfunktion und Produkteigenschaften:

- Hydrotherapie:** Ausgestattet mit ergonomischen Hydrotherapie-Sitzen sorgt der Whirlpool für gezielte Unterstützung des Körpers. Den Massagedruck können Sie durch Anpassung der Massageintensität, des Wasserumleiters und des Luftreglers regulieren.
- Luft-Therapie-Funktion:** Durch Aktivierung des Gebläses werden über die dafür vorgesehenen Luftdüsen zahlreiche Luftblasen freigesetzt, die ein dynamisches Massageerlebnis mit therapeutischer und unterhaltsamer Wirkung ermöglichen.
- Heizfunktion:** Der Whirlpool verfügt über ein integriertes Heizsystem, das die Wassertemperatur reguliert und konstant hält. Die gewünschte Temperatur kann individuell eingestellt werden, sodass der Whirlpool ganzjährig nutzbar ist.
- Filter- und Zirkulationssystem:** Das Spa ist mit einem Filtersystem ausgestattet, das einen integrierten Filter sowie eine Ozonisierung umfasst. Während Verunreinigungen herausgefiltert werden, erfolgt automatisch ein Filterzyklus, bei dem mithilfe des von der Ozonereinheit erzeugten Ozons Bakterien entfernt werden.
- Beleuchtung:** Das LED-Unterwasserlicht verbessert das Ambiente des Whirlpools. Das Beleuchtungssystem wird über das Bedienfeld gesteuert und sorgt sowohl für eine gezielte Ausleuchtung des Wassers als auch für eine beruhigende Stimmung.

Wichtige Anmerkung: Die oben genannten Funktionen stellen allgemeine Merkmale unserer Spa-Produkte dar. Abweichungen bei einzelnen Modellen sind möglich, daher sind die produktspezifischen Details vor dem Kauf zu prüfen. Der Hersteller behält sich das Recht vor, Produkte jederzeit und ohne vorherige Ankündigung zu modifizieren oder zu verbessern.

Wichtige Anweisungen

Es ist unerlässlich, sich mit den allgemeinen Sicherheitsrichtlinien für Whirlpools sowie den Verfahren zur Wasserbehandlung vertraut zu machen. Bitte stellen Sie sicher, dass Sie die folgenden Informationen vollständig verstanden haben:

- Entwässerungsanforderung:** Stellen Sie sicher, dass der Whirlpool nicht in einem tief liegenden oder hochwassergefährdeten Bereich installiert wird, da dies zu Ausfällen elektrischer Komponenten führen und die Sicherheit der Benutzer gefährden kann.
- Stromschlaggefahr:** Wie bei allen elektrischen Geräten besteht auch beim Betrieb des Whirlpools ein Stromschlagsrisiko. Der Maschinenraum im Geräteschrank enthält die Steuereinheit des Whirlpools und muss stets geschlossen gehalten werden. Sollte Wasser in den Maschinenraum eindringen, ist das Gerät unverzüglich von der Stromversorgung zu trennen. Vor einer erneuten Inbetriebnahme muss sichergestellt werden, dass sämtliche Komponenten vollständig getrocknet sind.
- Temperatur:** Die Wassertemperatur darf 40 °C nicht überschreiten. Höhere Temperaturen können das Herz-Kreislauf-System belasten und stellen ein gesundheitliches Risiko dar. Bei Überschreitung dieses Grenzwerts ist der Whirlpool umgehend zu verlassen und der Fachhändler zu kontaktieren. Es wird empfohlen, die Wassertemperatur unterhalb der normalen Körpertemperatur (ca. 37,5 °C) zu halten.
- Gesundheitliche Faktoren:**
 - Personen mit Diabetes, Bluthochdruck, Herzerkrankungen oder anderen Herz-Kreislauf-Erkrankungen sollten vor der Nutzung des Spas einen Arzt konsultieren.
 - Um Verunreinigungen und Gesundheitsrisiken zu reduzieren, sollte man vor dem Betreten des Whirlpools mit Wasser und Seife duschen.
 - Personen mit offenen Wunden oder Infektionen jeglicher Art sollten das Spa nicht benutzen.
 - Bei nicht ordnungsgemäßer Desinfektionsmittelkonzentration kann heißes Wasser die Vermehrung von Bakterien begünstigen und somit ein hygienisches Risiko darstellen.
 - Schwangere Personen sollten vor der Nutzung eines Spas immer ihren Arzt konsultieren.
- Eintauch- und Abkühlzeit:** Begrenzen Sie einzelne Badeeinheiten im Whirlpool auf 15–20 Minuten. Einige Modelle verfügen über einen integrierten Abkühlungssitz. Falls Sie Anzeichen von Überhitzung verspüren, setzen Sie sich auf diesen Sitz und lassen Sie Ihren Körper ausreichend abkühlen. Sobald Sie sich wieder wohlfühlen, können Sie langsam ins Wasser zurückkehren. Das Sitzen im Whirlpool mit dem Brustbereich oberhalb der Wasserlinie verkürzt die Abkühlzeit. Längerer Aufenthalt im Wasser mit Temperaturen über der normalen Körpertemperatur ist zu vermeiden, da dies gesundheitsschädlich sein kann.
- Alkoholkonsum und Medikamenteneinnahme:** Der Konsum von Alkohol im oder in unmittelbarer Nähe des Whirlpools stellt ein erhebliches Sicherheitsrisiko dar. Die Verwendung von Glasbehältern im Bereich des Whirlpools ist untersagt. Alkohol erhöht die Ertrinkungsgefahr. Personen, die Medikamente einnehmen, sollten vor dem Betreten des Whirlpools ihren Arzt konsultieren.

91

92

- **Kindersicherheit:** Kinder sollten das Spa niemals ohne Aufsicht einer erwachsenen Person benutzen.
- **Rutschgefahr verhindern:** Beim Ein- und Aussteigen aus dem Whirlpool ist besondere Vorsicht geboten, da nasse oder unebene Flächen eine erhöhte Rutschgefahr darstellen. Zur Minimierung des Unfallrisikos sind Handläufe und rutschfeste Materialien zu verwenden. Unter Umständen können zusätzliche Stufen den Ein- und Ausstieg erleichtern.
- **Elektrogeräte:** Es ist untersagt, elektrische Geräte in einem Umkreis von 2 Metern vom Spa zu platzieren.
- **Wetterbedingungen:** Das Spa darf bei Unwettern wie Gewittern oder Wirbelstürmen nicht verwendet oder betrieben werden.
- **Belüftung:** Bei unzureichender Belüftung des Spa-Bereichs kann es zu Reizungen der Atemwege kommen. Achten Sie darauf, dass der Whirlpool in einem gut belüfteten Bereich installiert wird – insbesondere bei überdachten Konstruktionen.
- **Chemikalien:** Chemikalien sind unerlässlich, um das Wasser sauber zu halten, das Wachstum von Bakterien zu verhindern und die Lebensdauer Ihres Whirlpools und seiner Komponenten zu verlängern. In konzentrierter Form (wie bestimmte Haushaltschemikalien) können sie jedoch gefährlich sein. Gehen Sie mit Whirlpool-Chemikalien stets vorsichtig um und beachten Sie die Sicherheitshinweise auf dem Produktetikett sowie in den zugehörigen Unterlagen. Detaillierte Angaben zur sicheren Anwendung finden Sie im Abschnitt „Chemikalienmanagement“.

Spa-Installation

Die Installation des Whirlpools darf ausschließlich durch qualifiziertes Fachpersonal erfolgen. Der Hersteller haftet nicht für Schäden, die durch unsachgemäße Installation oder Arbeiten von unqualifiziertem Personal verursacht werden.

Ausrichtung und Standort des Spas

- Der Whirlpool ist so zu positionieren, dass alle Komponenten für Wartungs- und Instandhaltungsarbeiten jederzeit frei zugänglich sind. Die meisten Geräte befinden sich an der Vorderseite des Whirlpools und müssen für den Stromanschluss und die Wartung zugänglich bleiben.
- Für einen sicheren Zugang zu allen Komponenten sollte der Whirlpool mit einem Mindestabstand von 1,2 Metern zu angrenzenden Flächen auf allen Seiten installiert werden.
- Vor Beginn des Betriebs muss sichergestellt sein, dass die Installation ordnungsgemäß durchgeführt wurde. Die Verantwortung hierfür liegt beim Eigentümer.
- Alle tragbaren Whirlpool-Komponenten müssen stets ausreichend belüftet werden. Die Lüftungsschlitze im Geräteschrank dürfen keinesfalls blockiert oder abgedeckt werden.
- Der Whirlpool sollte nicht in unmittelbarer Nähe von Bäumen aufgestellt werden, da herabfallendes Laub den Filter verstopfen könnte.

93

Wichtiger Hinweis:

Setzen Sie Ihren Whirlpool nicht über längere Zeit direkter Sonneneinstrahlung aus. Dies kann zum Erlöschen Ihrer Garantie führen. Der Whirlpool verfügt über eine Isolierung an der Außenwand und den Rohrleitungen. Bei direkter Sonneneinstrahlung kann die Oberflächentemperatur auf bis zu 200 °C ansteigen, was zu Schäden am Whirlpool führen kann.

Es wird empfohlen, das Spa immer mit der Abdeckung zu verwenden, wenn es nicht in Betrieb ist, und es an einem Ort aufzustellen, der vor extremen Witterungsbedingungen geschützt ist. Das Offenlassen und die direkte Witterungseinwirkung können zum Verlust der Garantie für das Spa und dessen Zubehör führen.

Standortanforderung

- Vor der Installation sollte man sich an einen Fachmann wenden, um sicherzustellen, dass der richtige Standort für den Whirlpool ausgewählt wird.
- Stellen Sie den Whirlpool nicht an Orten auf, an denen Wasser in den Elektrobereich eindringen könnte. Stellen Sie außerdem sicher, dass es nicht in direkten Kontakt mit sehr feuchten Bereichen kommt.
- Stellen Sie den Whirlpool so auf, dass er waagrecht steht und die ganze Unterseite auf einer glatten, ebenen und waagerechten Fläche steht, die sowohl das Gewicht des komplett mit Wasser gefüllten Whirlpools als auch das Gewicht der Badenden tragen kann (erfordert eine Gewichtskapazität von 1000 kg).
- Der Whirlpool darf nicht auf einer gekrümmten, weichen, sandigen Oberfläche oder auf Blöcken platziert werden.

Elektrische Installation

- Die Stromversorgung Ihres neuen Whirlpools muss über einen eigenen Stromkreis erfolgen, der von anderen Geräten oder Steckdosen nicht genutzt werden darf. Schäden durch falsche Stromstärke werden NICHT von der Garantie abgedeckt. Der elektrische Anschluss ist von einem qualifizierten Elektriker durchzuführen.
- Stellen Sie sicher, dass Ihr neuer Whirlpool ordnungsgemäß geerdet ist. Die Hauptstromversorgung muss über einen hochempfindlichen Fehlerstromschutzschalter (RCD) verfügen. Ein 30-mA-Fehlerstromschutzschalter wird empfohlen.

94

Bitte wählen Sie die geeignete Kabelgröße:

Leistung (KW)	2.1	2.5	2.8	3.2	3.5	4.4	5.3	6.2	7.0	7.9	8.8
Produkt-abstand											
6 – 11 Meter	2.5	2.5	2.5	2.5	4	4	6	10	10	10	10
11 – 15 Meter	2.5	2.5	2.5	4	4	4	6	6	10	10	10
15 – 20 Meter	4	4	4	4	6	6	10	10	10	16	16

Spa-Wartung

Ein Spa zu besitzen ist angenehm, entspannend und therapeutisch. Es ist jedoch wichtig, Ihre Investition zu pflegen, um sicherzustellen, dass sie effizient und in gutem Zustand bleibt — dadurch werden unnötige, vorzeitige Reparaturkosten vermieden. Nachstehend finden Sie eine einfache Schritt-für-Schritt-Anleitung.

Whirlpool befüllen

1. Bevor Sie Ihren Whirlpool befüllen, überprüfen und ziehen Sie bitte alle Anschlüsse fest, da diese sich während des Transports gelöst haben könnten.
2. Bitte überprüfen Sie, ob alle Rückschlagventile geöffnet sind.
3. Überprüfen Sie, ob das Ablassventil geschlossen ist.
4. Stellen Sie sicher, dass alle Düsen geöffnet sind. Um die Düsen zu öffnen, drehen Sie sie im Uhrzeigersinn.
5. Befüllen Sie Ihren Whirlpool mit Wasser. Befüllen Sie ihn über den Filter, um zu vermeiden, dass sich Luft in den Pumpen staut.
6. Befüllen Sie den Whirlpool mit Wasser, bis der erforderliche Wasserstand erreicht ist.

Hinweis: Damit die Whirlpool-Komponenten nicht beschädigt werden, füllen Sie bitte Ihren Whirlpool NICHT mit Wasser, das eine Temperatur von 40 °C überschreitet.

Whirlpool entleeren

Wenn Sie Ihren Whirlpool nur ein- oder zweimal pro Woche nutzen, muss er seltener entleert werden als bei einer Nutzung von drei oder mehr Mal pro Woche. Deshalb sollte der Whirlpool mindestens alle drei Monate entleert werden. Das Ablassventil befindet sich an der Vorderseite des unteren Gehäuses. Nachfolgend finden Sie Anweisungen zur Entleerung:

95

1. Entfernen Sie die Abdeckung des Ablassventils, indem Sie sie gegen den Uhrzeigersinn drehen
2. Schließen Sie Ihren Schlauch an das Ablassventil an (Schlauchdurchmesser: ¾" oder 19,04 mm)
3. Herausziehen und aufschrauben, bis Wasser austritt

Hinweis: Stellen Sie sicher, dass die Stromversorgung vor dem Entleeren ausgeschaltet ist. Schäden durch Trockenlauf werden nicht von der Garantie abgedeckt.

Anleitung der Whirlpool-Kontrolleinheit

Hinweise zur Bedienung der Spa-Steuereinheit finden Sie im Benutzerhandbuch des Steuerungssystems und in der Kurzanleitung.

Anleitung für die Jettüsen

Die Düsen sind die Hauptkomponenten, die für die Massage zuständig sind. Durch Rotieren der Düsenfläche können Sie den Wasserfluss regulieren.

- Drehen Sie die Düsenabdeckung etwa eine Vierteldrehung im Uhrzeigersinn, um die Düsen zu öffnen.
- Drehen Sie die Düsenabdeckung etwa eine Vierteldrehung gegen den Uhrzeigersinn, um die Düsen zu schließen.

Hinweis: Einige Düsen und Luftdüsen sind nicht regelbar. Drehen Sie diese Düsen nicht mit Gewalt, da dies Schäden verursachen kann.

Anleitung zur Steuerung der Luftdüsen

- Luftregler beeinflussen den Druck Ihrer Düsen, indem sie Luft hinzufügen. Ihr Spa verfügt möglicherweise über mehrere Luftregler, die jeweils einer bestimmten Gruppe von Düsen zugeordnet sind. Indem Sie einen Luftregler öffnen, gelangt mehr Luft in den Wasserkreislauf.
- Wenn Sie den Luftregler im Uhrzeigersinn drehen, verringert sich die Leistung der Massagedüsen.
- Wenn Sie ihn gegen den Uhrzeigersinn drehen, erhöht sich die Leistung der Massagedüsen.

Hinweis: Schalten Sie die Luftregler aus, um eine bessere Heizleistung zu erzielen. Der Luftstrom kann die Wassertemperatur im Whirlpool senken.

96

Anleitung zum Wasserumschalter

Der Wasserumschalter regelt die Massagstärke. Durch die Drehung des Wasserumschalters wird der Wasserfluss zwischen den Düsen gesteuert. Auf diese Weise lässt sich die Massagstärke der verschiedenen Düsengruppen regulieren.

SPA-WASSERMANAGEMENT & -WARTUNG

Bitte beachten Sie, dass diese Anweisungen als allgemeine Richtlinie für die Aufrechterhaltung der Wasserqualität Ihres Whirlpools dienen. Bevor Sie Maßnahmen ergreifen, wenden Sie sich bitte an Ihren lokalen Whirlpool-Spezialisten, um die richtige Dosierung des Desinfektionsmittels und die geeigneten Prozeduren, die der Kapazität Ihres Whirlpools entsprechen, festzulegen.

- Verwenden Sie niemals minderwertige Chemikalien oder inkompatible Ausrüstungen, da dies zu Schäden führen kann.
- Die Garantie erstreckt sich nicht auf Chemikalien.
- Lassen Sie das Wasser mindestens einmal im Monat von einem Spezialisten testen. Zudem sollte das Wasser wöchentlich vom Benutzer selbst getestet werden. Wenn Sie Chemikalien hinzufügen möchten, mischen Sie diese 20 bis 30 Minuten lang mit Wasser und stellen Sie sicher, dass alle Substanzen vollständig aufgelöst sind.

Die Wirksamkeit und Anpassung des pH-Werts

- Ein niedriger pH-Wert (unter 7,2) beeinträchtigt die Wirksamkeit der Desinfektionsmittel, erhöht das Korrosionsrisiko der Oberflächen und Komponenten und kann zu Haut- und Augenreizungen führen.
- Bei einem hohen pH-Wert (über 7,6) verlieren chlorhaltige Desinfektionsmittel ihre Wirksamkeit, das Wasser kann trüb werden und es kann zu Kalkablagerungen auf den Oberflächen des Whirlpools und den Heizelementen kommen.

ACHTUNG! Der pH-Wert misst den Säuregehalt/die Alkalität des Wassers:

- Alkalität: Werte über 7 sind alkalisch, Werte unter 7 sind säurehaltig.
- Der empfohlene pH-Wert liegt zwischen 7,2 und 7,6.

WARNUNG: Bitte stellen Sie sicher, dass der richtige pH-Wert eingehalten wird. Schäden, die durch einen falschen pH-Wert verursacht werden, fallen nicht unter Ihre Spa-Garantie.

Anpassung des pH-Werts

- Überprüfen Sie täglich den pH-Wert des Whirlpoolwassers mit einem pH-Tester (nicht im Lieferumfang enthalten). Wenn der pH-Wert außerhalb des empfohlenen Bereichs liegt, benutzen Sie den Whirlpool nicht. Überprüfen Sie den Wert nach zwei Stunden erneut.

- Wenn der pH-Wert weiterhin nicht korrekt ist, lassen Sie die Pumpe weitere 2 Stunden laufen und überprüfen Sie den Wert erneut.
- Wenn der Wert immer noch nicht korrekt ist: Nehmen Sie die Abdeckung des Whirlpools ab und führen Sie nach Zugabe der entsprechenden pH- oder Alkalinitäts-/Säuerungchemikalie (nur gemäß den Anweisungen verwenden) einen erneuten Test durch. Vermischen Sie alles gut und führen Sie nach 20 Minuten einen weiteren Test durch.

Desinfektion des Wassers

- Die Desinfizierung ist unerlässlich, um Algen, Bakterien und andere Krankheitserreger im Wasser zuverlässig zu beseitigen. Allerdings kann eine übermäßige Verwendung von Desinfektionsmitteln zu Haut- und Augenreizungen führen.
- **Bromid-Tabletten:** Sicher und zur Anwendung geeignet. Einfach in den Vorfilter geben, wo sie sich allmählich auflösen.
- Überprüfen Sie den Bromidgehalt täglich mit einem Testkit. Idealer Wert: 2,2–3,3 ppm

Ozon-Desinfektion

- Ozon (O₃) ist ein starkes und geruchloses Desinfektionsmittel.
- Die meisten Whirlpools sind mit 1–2 Ozongeneratoren ausgestattet.
- Das System injiziert automatisch Ozon über die Düsen in das Whirlpoolwasser.
- Das Ozon sollte einmal täglich freigesetzt werden. Die empfohlene Ozon-Desinfektion erfolgt einmal täglich und dauert 1–2 Stunden.
- Die Lebensdauer des Ozongenerators hängt von der Nutzung ab und sollte regelmäßig überprüft werden.

Filterausbau und -einbau

Entfernen der Kartusche und Filter:

- Öffnen Sie die obere Abdeckung der Kartusche.
- Entfernen Sie die Filterabdeckung und drehen Sie den Papierfilter gegen den Uhrzeigersinn, um ihn zu entfernen.
- Um den Kartuschenfilter einzusetzen, führen Sie diese Schritte in umgekehrter Reihenfolge durch.

Entfernen des frontzugänglichen Doppelfilters:

- Heben Sie die Frontabdeckung an und ziehen Sie den Filter seitlich heraus.
- Drehen Sie den Papierfilter gegen den Uhrzeigersinn, um ihn zu entfernen.
- Um die frontzugänglichen Doppelfilter einzusetzen, führen Sie diese Schritte in umgekehrter Reihenfolge durch.

Entfernen des großen frontzugänglichen Sperrfilters:

- Entfernen Sie die obere Abdeckung.
- Drehen Sie den Papierfilter gegen den Uhrzeigersinn, um ihn zu entfernen.
- Um den frontzugänglichen Sperrfilter einzusetzen, führen Sie diese Schritte in umgekehrter Reihenfolge durch.

Wenn Ihr Whirlpool nicht benutzt wird

Sind Sie für einen Zeitraum von mehr als zwei Monaten abwesend, sollten Sie Ihren Whirlpool ausschalten und entleeren. Denken Sie daran, die Abdeckung auch im entleerten Zustand auf dem Whirlpool zu lassen, um die Wanne zu schützen. Sind Sie nur für einige Tage oder Wochen abwesend, schalten Sie Ihren Whirlpool nicht vollständig aus. Verringern Sie die Temperatur auf 15 Grad Celsius, damit die Filterzyklen weiterhin funktionieren, der Whirlpool jedoch nicht heizt.

- **3–5 Tage:** Passen Sie den pH-Wert und die Wasserpflege an (Einzelheiten finden Sie im Abschnitt zur Wasserpflege), und decken Sie den Whirlpool ab. Passen Sie den pH-Wert und die Wasserpflege an, wenn Sie den Whirlpool wieder benutzen.
- **5–14 Tage:** Stellen Sie die niedrigste Temperatur oder den Schlafmodus ein. Passen Sie den pH-Wert und die Wasserpflege an (Einzelheiten finden Sie im Abschnitt zur Wasserpflege), und decken Sie den Whirlpool ab. Passen Sie den pH-Wert und die Wasserpflege an, wenn Sie den Whirlpool wieder benutzen.
- **Mehr als 15 Tage:** Schalten Sie das Gerät aus, öffnen Sie das Ablassventil und lassen Sie das Wasser vollständig aus dem Whirlpool ablaufen. Entfernen Sie den Filter, halten Sie den Whirlpool trocken und decken Sie ihn ab.

Fehlerbehebung

Symptom	Mögliche Ursachen	Lösung
Fehlermeldung erscheint auf dem LCD; der Whirlpool funktioniert nicht mehr	Das Steuerungssystem verfügt über eine digitale Diagnosefunktion, die bei einer Störung im Whirlpool den Betrieb unterbricht und nach Behebung der Störung wieder startet.	Bitte überprüfen Sie die Fehlermeldung im Handbuch des Steuerungssystems und wenden Sie sich anschließend an Ihren lokalen Fachhändler, um die Wartung durchführen zu lassen.
Spa kann in keinem Modus gestartet werden	Der Strom ist aus	Überprüfen Sie, ob der Netzschalter oder der Leistungsschutz eingeschaltet ist.

	Das Bedienfeld ist gesperrt	Prüfen Sie, ob das Bedienfeld gesperrt ist, und entsperren Sie es gegebenenfalls
	Ausfall der elektrischen Steuerung (Display zeigt Fehlermeldung)	Überprüfen Sie den Fehlercode im Bedienungshandbuch und wenden Sie sich dann an Ihren Fachhändler, um die Wartung durchführen zu lassen.
Das Spa startet automatisch	Die Filterfunktion läuft	Dies ist eine automatische Funktion des Systems; es ist keine Wartung erforderlich. Das System wird nach Abschluss der Funktion automatisch gestoppt. Keine Benutzeraktion erforderlich.
	Die Heizfunktion läuft	
	Die Frostschutzfunktion läuft	
Die Wasserpumpe schaltet sich bei Verwendung des Whirlpools automatisch ab	Die Pumpenlaufzeit ist länger als die standardmäßige maximale Laufzeit des Systems	Drücken Sie die Pumpentaste erneut, um die Pumpe neu zu starten. Lassen Sie die Pumpe laufen.
	Der Pumpenmotor ist im Überhitzungsschutzmodus	Stellen Sie den Betrieb der Pumpe für mehr als 1 Stunde ein, bis sie abgekühlt ist, und starten Sie sie dann erneut.
Sobald der Whirlpool vollständig mit Wasser gefüllt ist, schaltet er sich ein, dann schalten sich auch die Wasserpumpen ein, aber es kommt kein Wasser aus den Düsen	Die Düsen sind geschlossen	Prüfen Sie, ob die Düsen geschlossen sind, andernfalls öffnen Sie sie.
	Die Wasserpumpe saugt Luft ein	Starten Sie die Wasserpumpen wiederholt. Wenn sie immer noch nicht funktionieren, öffnen Sie den Pumpendeckel, um die Luft herauszulassen, und schrauben Sie ihn anschließend wieder fest zu. Füllen Sie unterdessen Wasser durch den Filter ein, um zu verhindern, dass die Wasserpumpe Luft ansaugt.
Das Spa heizt sich	Niedrige Temperatur	Temperatur neu einstellen

langsam auf	eingestellt	
	Filterkartusche ist verschmutzt	Reinigung oder Austausch des Filters
	Keine Abdeckung des Whirlpools, was zu Wärmeverlust führt	Decken Sie den Whirlpool mit der Abdeckung ab, wenn er nicht benutzt wird
	Die Düse, die mit der Umwälzpumpe verbunden ist, ist geschlossen	Öffnen Sie die Düsen
	Heizung ist kaputt	Kontaktieren Sie Ihren örtlichen Fachhändler, um die Wartung durchführen zu lassen
Die Massagekraft der Düsen ist gering	Die Düsen sind nicht vollständig geöffnet	Öffnen Sie die Düsen
	Die Düsen sind verstopft	Drehen Sie die Düsenabdeckung gegen den Uhrzeigersinn bis zum Anschlag und drehen Sie sie dann weiter gegen den Uhrzeigersinn, um die Düsen herauszudrehen. Überprüfen Sie, ob sich Fremdkörper in den Düsen befinden.
	Das Luftventil ist abgeschaltet	Öffnen Sie den Luftventilschalter.
	Das Wasserventil ist geschlossen, wodurch verhindert wird, dass Wasser aus den Düsen austritt	Drehen Sie die Ventile, um die Wasserdüsen zu regulieren.
	Das Steuerventil der Wasserpumpe ist nicht vollständig geöffnet	Prüfen Sie, ob das Ventil der Wasserpumpe vollständig geöffnet ist.
Der Wasserstrahl ist mal stark, mal schwach	Der Sog oder die Filter sind verstopft. Das Steuerventil der Wasserpumpe ist nicht vollständig geöffnet.	Überprüfen Sie, ob sich Fremdkörper in der Saug- oder Filteranlage befinden, und entfernen Sie diese.

		Überprüfen Sie, ob beide Ventile der Wasserpumpe vollständig geöffnet sind.
--	--	---

Anwendung anderer chemischer Spezialprodukte

Neben der pH-Wert- Anpassung und den oben genannten Desinfektionsmethoden gibt es einige Reinigungsprodukte, die man im Whirlpoolwasser verwenden kann:

- **ANTI-KALK:** Kann zur Vorbeugung/Reduzierung von Kalkablagerungen (Kalkstein) verwendet werden, insbesondere in Hartwassergebieten. Einmal pro Woche und bei jedem Wasserwechsel anwenden.
- **SPA-ALGENBEKÄMPFUNGSMITTEL:** Beugt Algenbildung vor. Einmal pro Woche und bei jedem Wasserwechsel anwenden.
- **ENTSCHÄUMER:** Zur Verhinderung der Schaumbildung. Einmal pro Woche und bei jedem Wasserwechsel anwenden.

WARNUNG

Fügen Sie die genauen Mengen wie angegeben zum Wasser hinzu. Mischen Sie keine Produkte, um mögliche Reaktionen zu vermeiden. Rauchen Sie nicht, während Sie mit diesen Produkten umgehen – sie können entzündlich sein. Fügen Sie keine chemischen Produkte dem Wasser hinzu, wenn sich jemand im Whirlpool befindet. Bewahren Sie die Behälter dicht verschlossen an einem trockenen, gut belüfteten Ort auf und halten Sie diese Produkte von Kindern fern. Atmen Sie keine chemischen Substanzen ein und achten Sie darauf, dass diese nicht mit Augen, Nase oder Mund in Kontakt kommen. Waschen Sie sich nach der Verwendung die Hände. Bei Unfällen oder Verschlucken befolgen Sie die Notfallhinweise auf dem Produktetikett.

Spa-Reinigung und -Wartung

Ein Spa zu besitzen ist angenehm, entspannend und therapeutisch. Es ist jedoch wichtig, Ihre Investition zu pflegen, um sicherzustellen, dass sie effizient und in gutem Zustand bleibt – dadurch werden unnötige, vorzeitige Reparaturkosten vermieden. Nachstehend finden Sie eine einfache Schritt-für-Schritt-Anleitung.

Reinigung und Wartung der Spa-Oberfläche

Die Whirlpool-Oberfläche besteht aus hochglänzendem Acryl. Diese sollte sauber gehalten werden. Wir empfehlen, die Außenfläche des Whirlpools einmal pro Woche zu reinigen und den gesamten Whirlpool nach dem Entleeren zu reinigen. Die genauen Schritte sind nachstehend aufgeführt:

101

102

- Entfernen Sie den Schmutz mit einem feuchten Tuch. Sie können ein neutrales Reinigungsmittel und ein weiches Tuch verwenden. Verwenden Sie keine Reinigungsmittel, die Keton oder Chlorwasser enthalten.
- Bei leichten Kratzern auf der Oberfläche polieren Sie diese bitte mit Schleifpapier der Körnung 2000 und bearbeiten Sie sie anschließend mit Zahnpasta. Polieren Sie sie dann erneut mit einem weichen Tuch.
- Bitte reinigen Sie die Oberfläche des Whirlpools nicht mit chemischen Lösungen/Lösungsmitteln oder scheuernden Utensilien. Zerkratzen Sie die Oberfläche des Whirlpools nicht mit harten Materialien oder einem Messer.
- Bitte reinigen Sie die Oberfläche des Whirlpools nicht mit Nagellack, Nagellackentferner, Trockenreinigungsflüssigkeit, Aceton, Farbtferner usw., da hierdurch die Oberfläche beschädigt wird.
- Zigarettenstummel oder sonstige Wärmequellen, die eine Temperatur von über 70 °C erreichen, dürfen nicht mit Ihrem Whirlpool in Berührung kommen.

Wartung des Kontrollfelds

- Bitte berühren Sie das Bedienfeld nicht mit harten Gegenständen, um Kratzer zu vermeiden.
- Bitte vermeiden Sie direkte Sonneneinstrahlung auf das Bedienfeld.
- Bitte halten Sie das Bedienfeld trocken, wenn der Whirlpool nicht benutzt wird.

Wartung der Kissen

- Reinigen Sie das Kissen mit einem neutralen Reinigungsmittel.
- Übermäßiger Einsatz von chlorhaltigen Reinigungsmitteln und Ozon führt zum Ausbleichen des Kissens. Nach der Benutzung des Spas ist das Kissen zu entfernen. Da es nicht unter die Garantie fällt, ist es mit Vorsicht zu behandeln.

Wartung der Spa-Abdeckung

- Reinigen Sie die Abdeckung mit Seifenlauge. Achten Sie darauf, dass keine Seifenlauge in den Whirlpool gelangt.
- Bitte greifen Sie das Verbindungsglied in der Mitte der Abdeckung nicht und ziehen Sie nicht daran, da es leicht brechen kann.
- Bitte setzen, legen oder springen Sie nicht auf die Abdeckung. Dadurch verursachte Schäden können von der Garantie ausgeschlossen sein.

Hinweis: Bitte decken Sie den Whirlpool nach dem Gebrauch oder der Reinigung ab. Die Garantie für Ihren Whirlpool und dessen Zubehör kann erlöschen, wenn Sie den Whirlpool ungedeckt und ungeschützt stehen lassen.

103

Wartung der Filter

Die Filter sollten regelmäßig gereinigt werden. Einmal pro Woche sollte man die Filter herausnehmen und mit einem Hochdruckschlauch von Rückständen befreien. Einmal im Monat sollte man die Filter in einer Reinigungslösung für Kartuschenfilter einweichen und anschließend mit einem Hochdruckschlauch abspritzen.

Filterreinigung

1. Schalten Sie die Stromversorgung aus.
2. Entfernen Sie die Kartusche. Lesen Sie vorher bitte die Anweisungen zum Entfernen des Filters.
3. Entfernen Sie den Filter aus der Kartusche, indem Sie ihn gegen den Uhrzeigersinn drehen.
4. Reinigen Sie die Kartusche mit Wasser, bis keine Rückstände mehr vorhanden sind.
5. Besprühen Sie den Filter von oben nach unten in einem Winkel von 45° mit Wasser (siehe Fotos auf der rechten Seite).
6. Installieren Sie den Filter und die Kartusche nach der Reinigung.
7. Schalten Sie den Strom ein.

Warnung: Stellen Sie vor dem Entfernen Ihrer Filter IMMER sicher, dass Ihr Whirlpool vom Stromnetz getrennt ist. Sollte der Whirlpool angeschlossen bleiben und etwas in die Pumpe oder Heizung gelangen, sodass diese ausfallen, wird der Schaden nicht von der Garantie abgedeckt.

Garantieleistung und -umfang

Unser Unternehmen gewährt eine begrenzte Garantie von 2 Jahren auf Herstellungsfehler und Mängel, die direkt auf das Design, die Materialien oder die Verarbeitung des Produkts zurückzuführen sind. Diese Garantie gilt nur für Produkte, die ausschließlich für private, persönliche und nicht kommerzielle Zwecke verwendet werden.

Reparaturen oder Ersatzlieferungen verlängern oder erneuern die ursprüngliche Garantiezeit nicht. Sofern nicht schriftlich anders angegeben, handelt es sich hierbei um eine reine Ersatzteilgarantie. Bei Garantieansprüchen aufgrund von Transportschäden müssen diese innerhalb von 24 Stunden nach Lieferung unter Beifügung entsprechender Unterlagen und Fotos gemeldet und vom Zusteller bestätigt werden. Nicht autorisierte Reparaturversuche oder die Nichtbeachtung des beschriebenen Verfahrens können dazu führen, dass die Garantie erlischt.

Die folgenden Artikel sind ausdrücklich von jeglicher Garantie ausgeschlossen:

- Jegliche Schäden, die durch unsachgemäßen Gebrauch oder Wartung entstehen, die nicht der Bedienungsanleitung entsprechen.

104

- Schaden, die durch menschliche Einflusse verursacht wurden.
- Samtliche Modifikationen am Produkt, die ohne die Genehmigung des Herstellers vorgenommen werden.
- Schaden oder Verfarbungen der Gehauseoberflache durch aggressive oder ungeeignete Reinigungsmittel.
- Schaden, die durch unsachgemaen Transport oder unsachgemae Lagerung entstehen.
- Schaden durch hohere Gewalt.
- Naturliches Verblassen der Farbe.

Eingeschrankte Garantie: Der Hersteller behalt sich das Recht auf endgultige Stellungnahme vor.

Besonderer Hinweis zur Stellungnahme: Die eingeschrankte Garantie beginnt mit dem Produktionsdatum des Herstellers zum Zeitpunkt der wesentlichen Fertigstellung.

Leistungserklarung

- Eindeutiger Kenncode des Produkttyps:
Produktnummer (im Anhang aufgefuhrt)
- Verwendungszweck:
Whirlpool Spa fur den Hausgebrauch – Wellness / personliche Hygiene
- Importeur:
Beliani GmbH
Haldenstrasse 5
6340 Baar
Schweiz
Telefon: +41 43 5082233
- Bevollmachtigter: √
- System zur Bewertung und Uberprufung der Leistungsbestandigkeit: System 1
 - Harmonisierte Norm:
EN55014-1:2006/+A1:2009/+A2:2011
EN55014-2:2015 EN61000-3-12:2011
EN61000-3-11:2000
EMV-Richtlinie (2014/30/EU)
EN60335-2-60:2003+A1:2005+A2:2008+A11:2010+A12:2010
EN60335-1:2012+AC:2014+A11:2014
EN62233:2008
Niederspannungsrichtlinie (2014/35/EU)
 - Europaisches Bewertungsdokument: √
Europaische Technische Bewertung: √
Technische Bewertungsstelle: √
Notifizierte Stelle: √
- Erklarte Leistungen:

Wesentliche Merkmale	Leistung	Harmonisierte technische Spezifikation
Sicherheit fur den Anwender	Erfullt	EN 60335-2
Betrieb (normal und abnormal)	Erfullt	EN 60335-1
Niederspannungsrichtlinie	Erfullt	EN 62233
Elektromagnetische Vertraglichkeit	Erfullt	EN 55014-1 EN 55014-2

105

106

		EN 61000-3-12
		EN 61000-3-11

14. Angemessene Technische Dokumentation oder Spezifische Technische Dokumentation:
Bericht Nr.: 60445226 001 TUV Rheinland
Bericht Nr.: 60445226 001 TUV Rheinland

Die Leistung des vorstehenden Produkts entspricht den erklarten Leistungen. Fur die Erstellung der Leistungserklarung im Einklang mit der Verordnung (EU) Nr. 305/2011 ist allein der oben genannte Importeur verantwortlich.

Anhang

Artikelnummer	Artikeltyp
37979 (E-351S) CALIMA	Whirlpool Spa
37981 (M-530D) VILLARRICA	Whirlpool Spa
37983 (E-310S) MARFIL	Whirlpool Spa

Untersignet fur den Importeur und im Namen des Herstellers von:
Michael Widmer, Geschaftsfuhrer



6340 Baar, 20.05.2024

107

Magyar (HU)



Hasznalati utmutato:

Kerjuk, a hasznalat megkezdese elott figyelmesen olvassa el ezt a kezikonyvet.

Megfelel elokészitessel es gondozással masszazsmedenceje hosszú eveken at biztosít majd oremet es kikapcsolodast. Ez a kezikonyv tartalmazza a legfontosabb tudnivalokat a medence elokésziteserol, telepiteserol, karbantartasarol es mukodteteserol. Kerjuk, szanjon idot a teljes utmutato elolvasasara, hogy a medencet biztonságosan es helyesen használhassa.

Fo funkciok es termekjellemezok

- **Hidroterapias funkcio:** A masszazsmedence specialis hidroterapias ulesekkel van felszerelve, amelyek ergonomikus kialakitasuk reven megtamasztjak a testet. A masszazsnyomas beallithato a masszazsbeallitasok, a vizmegoszto es a legszabalyzo modositasaval.
- **Levegobefuvasos terapia:** A legbefuvo aktivalasaval a specialisan kialakitott levegofuvokakon keresztul nagy mennyisegububorék szabadul fel, amely pezsgo, masszirozo elményt nyújt – egyszerre pihenteto es szorakoztato.
- **Futes:** A masszazsmedence felmelegiti a vizet, es lehetove teszi a kívant homerséklet beallitasat. A futrendszer fenntartja ezt a homersékletet, így a medence egész evben használhato.
- **Szurés es keringés:** A medence szurrendszerere integralt szurovel es ozonos fertotlenitessel mukodik. A rendszer a szennyezodések kiszurese mellett automatikusan elinditja a szurési ciklust, amely soran az ozongenerator altal termelt ozon elpusztitja a baktériumokat.
- **Vilagítás:** A viz alatti LED vilagítás fokozza a medence hangulatat. A vezerlopanelen keresztul szabalyozhato fenyrendszer nemcsak megvilagitja a vizet, hanem romantikus es megnyugtato atmoszferat is teremt.

Fontos nyilatkozat

A fent felsorolt funkciok termekeink altalanos jellemzoit irjak le. Az On altal vasarolt medence konkrét funkcioi eltérhetnek. Kerjuk, a vasarlás elott mindig ellenorizze a reszleteket.

A gyarto fenntartja a jogot a termek modositasara vagy fejlesztesere elozetes ertesites es kotelesztéseg nélkül.

108

Fontos tudnivalók

Fontos, hogy tisztában legyen a masszázsmedicének általános biztonsági előírásaival és a vízkezelés alapelveivel.

Kérjük, különösen ügyeljen az alábbiakra:

- **Vízvezetés:** Ne telepítse a medencét mélyen fekvő vagy árvízveszélyes területre, mivel ez elektromos meghibásodást okozhat, illetve veszélyt jelenthet a medence használati számára.
- **Áramütés veszélye:** Mint minden elektromos berendezés esetében, itt is fennáll az áramütés kockázata. A vezérlőegységet, amely a masszázsmedence működését irányítja, a burkolaton belül elhelyezett gépház tartalmazza. Ezt a rekeszt mindig zárva kell tartani. Ha víz jut a gépházba, azonnal kapcsolja le a medence áramellátását, és csak akkor indítsa újra, ha minden alkatrész teljesen megszáradt.
- **Hőmérséklet:** A víz hőmérséklete soha ne haladja meg a **40 °C-ot**. A magasabb hőmérséklet megterhelheti a szív- és érrendszert. Ha a hőmérséklet meghaladja a 40 °C-ot, azonnal hagyja el a medencét, és vegye fel a kapcsolatot a forgalmazóval. Javasolt, hogy a víz hőmérséklete **ne legyen magasabb a normál testhőmérsékletnél (kb. 37,5 °C)**.
- **Egészségi állapotok:**
 - Cukorbetegségben, magas vérnyomásban, szívbetegségben vagy más szív- és érrendszeri problémában szenvedők **csak orvosi konzultáció után** használják a masszázsmedicét.
 - A szennyeződés és egészségügyi kockázatok csökkentése érdekében **minden használat előtt zuhanyozzon le szappannal és vízzel**.
 - **Nyílt sebekkel vagy fertőzéssel** ne használja a medencét.
 - A meleg víz ideális környezetet biztosíthat a baktériumok számára, különösen, ha a fertőtlenítőszer szintje nincs megfelelően karbantartva.
 - **Várandós nők** csak orvosi engedéllyel használhatják a masszázsmedicét.
- **Használati idő és hűtés:** Egy alkalommal legfeljebb 15–20 percet töltsön a medencében. Egyes modellek hűtőléssel vannak ellátva – ha túlságosan felhevül, üljön át erre a helyre, és hagyja testét lehűlni. Miután ismét kényelmesen érzi magát, lassan visszatérhet a vízbe. A mellkas vízszint fölé emelése gyorsítja a test lehűlését. Kerülje a hosszú tartózkodást a testhőmérsékletnél melegebb vízben, mivel ez veszélyes lehet.
- **Alkoholfogyasztás és gyógyszerek:** Alkoholfogyasztás a masszázsmedicében vagy annak közelében szigorúan tilos. Soha ne használjon úvegedényeket a medence körül. Az alkohol fokozza a fulladás veszélyét. Gyógyszert szedők csak orvosi tanács után használják a medencét.
- **Gyermekbiztonság:** A gyermekek soha ne használják felügyelet nélkül a masszázsmedicét.

109

Mindig használja a kemény fedelet, amikor a medence nincs használatban, és helyezze védett, időjárásálló területre. Ha a medencét fedetlenül és kitéve hagyja az időjárás viszontagságainak, az érvénytelenítheti a garanciát a medencére és tartozékaira egyaránt.

Helyszíni követelmények

- A telepítés előtt konzultáljon szakemberrel, hogy a medence megfelelő helyre kerüljön.
- Ne helyezze a medencét olyan területre, ahol víz áraszthatja el az elektromos berendezések rekeszét. Ügyeljen arra is, hogy a medence ne érintkezzen tartósan nedves vagy vizes felülettel.
- A medencét vízszintesen, síma, sík és stabil alapra kell helyezni, amely képes megtartani a teljesen feltöltött medence és a benne tartózkodó személyek súlyát — legalább 1000 kg teherbírás szükséges.
- A masszázsmedicét tilos egyenetlen, puha, homokos felületre vagy zsalutégárra helyezni.

Elektromos bekötés

- A masszázsmedence elektromos áramellátását önálló, dedikált áramkörre kell csatlakoztatni, amelyet más készülékek vagy alkatrészek nem oszthatnak meg. A helytelen áramerősségből eredő károkat a garancia nem terjed ki. Az elektromos bekötést csak szakképzett villanyszerelő végezheti el.
- Győződjön meg arról, hogy a medence megfelelően földelve van. A fő áramellátásnak tartalmaznia kell egy magas érzékenyséű áram-védőkapcsolót (RCD). 30 mA-es szivárgásvédő (fi-relé) használata javasolt.

Ajánlott vezeték méret kiválasztása

Teljesítmény (KW)	2.1	2.5	2.8	3.2	3.5	4.4	5.3	6.2	7.0	7.9	8.8
Távolság											
6 – 11 méter	2.5	2.5	2.5	2.5	4	4	6	10	10	10	10
11 – 15 méter	2.5	2.5	2.5	4	4	4	6	6	10	10	10
15 – 20 méter	4	4	4	4	6	6	10	10	10	16	16

Masszázsmedence karbantartása

Egy masszázsmedence birtoklása kikapcsolódást, élvezetet és terápiás hatást biztosít, de rendszeres karbantartás nélkül gyorsan romolhat az állapota, ami felesleges javítási

- **Csúszásveszély:** Mindig legyen óvatos a medencébe való belépéskor és kilépéskor, mivel a nedves vagy egyenetlen felületek csúszások lehetnek. Használjon korlátokat és csúszámentes felületeket, szükség esetén lépcsőt a biztonságosabb ki- és beszálláshoz.
- **Elektromos berendezések:** Semmilyen elektromos eszközt ne helyezzen 2 méternél közelebb a masszázsmedicéhez.
- **Időjárási körülmények:** Ne használja és ne működtesse a medencét szélsőséges időjárás esetén, például vihar, ciklon vagy villámás idején.
- **Szellőztetés:** Gondoskodjon róla, hogy a medence jól szellőző helyen legyen telepítve, különösen, ha az fedett.
- **Vegyszerek:** A vegyszerek elengedhetetlenek a víz tisztaságának megőrzéséhez, a baktériumok elszaporodásának megelőzéséhez és a medence élettartamának meghosszabbításához. Ugyanakkor a koncentrált vegyszerek (például egyes háztartási szerek) veszélyesek lehetnek. Mindig körültekintően kezelje a medence vegyszereit, és tartsa be a biztonsági előírásokat. Mindig kövesse a termék címkéjén található utasításokat.

Masszázsmedence telepítése

A masszázsmedence (SPA) telepítését mindig szakképzett szakemberrel kell elvégeztetni. A gyártó nem vállal felelősséget az olyan károkért, amelyeket helytelen telepítés vagy nem megfelelően képzett személy által végzett munka okoz.

A masszázsmedence elhelyezése

- A medencét úgy kell elhelyezni, hogy a szervizelés és karbantartás könnyen elvégezhető legyen. A berendezések nagy része a medence elülső részén található, amelynek mindig hozzáférhetőnek kell maradnia az áramellátás és a karbantartás szempontjából.
- Ajánlott legalább 1,2 méter szabad teret hagyni a medence mind a négy oldala körül a későbbi hozzáférés érdekében.
- A tulajdonos felelőssége, hogy a telepítés megfelelően befejeződjön, mielőtt a medence használatba kerül.
- Minden hordozható masszázsmedence-berendezéshez megfelelő szellőzés szükséges. Ne zárja el a burkolaton lévő szellőzőnyílásokat.
- A medencét távol helyezze el a fáktól, hogy a lehulló levelek ne tömítsék el a szűrőt.

Fontos megjegyzés:

Ne hagyja a medencét hosszú ideig közvetlen napfénynek kitéve, mivel ez a garancia elvesztéséhez vezethet. A medence szigeteléssel rendelkezik a víz és a csövezetek körül, azonban közvetlen napsütésben a felületi hőmérséklet akár 200 °C-ra is emelkedhet, ami súlyosan károsíthatja a medencét.

110

költségekhez vezethet. Az alábbi lépések segítenek medencéje hosszú távú, gazdaságos üzemeltetésében.

A medence feltöltése

1. Mielőtt feltöltené a medencét, ellenőrizze és húzza meg az összes élő elektromos csatlakozást, mivel ezek a szállítás során meglazulhatnak.
2. Ellenőrizze, hogy minden visszacsapó szelep nyitott állásban van-e.
3. Győződjön meg róla, hogy a leeresztő szelep zárva van.
4. Ellenőrizze, hogy minden fűvóka nyitva van (az óramutató járásával megegyező irányban forgatva nyithatók).
5. Töltse fel a medencét vízzel — a szűrőn keresztül töltsen, hogy elkerülje a levegősödést a szivattyúban.
6. Töltsen vizet addig, amíg el nem éri a megfelelő vízszintet.

Megjegyzés: A berendezések károsodásának elkerülése érdekében soha ne töltsön a medencébe 40 °C-nál melegebb vizet.

A masszázsmedence leeresztése

Ha a medencét csak hetente egyszer-kétszer használja, a leeresztés ritkábban szükséges, mint azoknál, akik hetente háromszor vagy többször használják. Ajánlott a medencét legalább 3 havonta egyszer leeresztetni.

A leeresztő szelep helye: a medence aljának elülső részén található. Leeresztési útmutató:

1. Fordítsa ellentétes irányba (óra járásával ellentétesen) a leeresztő szelep fedelét, és vegye le.
2. Csatlakoztassa a tömlőt a szelephez (tömlő átmérő: ¾" vagy 19,04 mm).
3. Húzza ki és csavarja meg a szelepet, amíg a víz el nem kezd folyni.

Megjegyzés: Mielőtt leeresztené a medencét, kapcsolja ki az áramellátást. A szárazon futásból eredő károk nem tartoznak a garancia hatálya alá.

A masszázsmedence vezérlőpaneljének használata

A vezérlőpanel működtetéséhez kérjük, olvassa el a vezérlőrendszer használati útmutatóját és a Gyors üzemeltetési útmutatót.

Fűvókák használata

A fűvókák a masszázs fő elemei. A vízáramot a fűvóka előlapjának elforgatásával lehet szabályozni.

- A fűvóka fedelét az óramutató járásával megegyező irányba kb. 1/4 fordulattal elforgatva nyithatja a fűvókát.

111

112

- Az óramutató járásával ellentétes irányba kb. 1/4 fordulattal elforgatva lezárhatja a fűvókát.

Megjegyzés: Néhány víz- és légfűvóka nem állítható. Ne forgassa erővel ezeket, mert károsodást okozhat.

Légfűvóka vezérlés

- A légvezérlés a fűvókák nyomását a levegő hozzáadásával szabályozza. Előfordulhat, hogy a medencén több légvezérlő is található, mindegyik egy adott fűvókacsoporthoz tartozik. Ha kinyitja a légvezérlőt, több levegő áramlik a vízbe.
- Ha a légvezérlőt az óramutató járásával megegyező irányba fordítja, a masszázsfűvókák teljesítménye csökken.
- Ha az óramutató járásával ellentétes irányba fordítja, a masszázsfűvókák teljesítménye nő.

Megjegyzés: A fűtés hatékonysága érdekében a légvezérlőket kapcsolja ki. A légfűvó motor csökkentheti a víz hőmérsékletét.

Vízelosztó használata:

A vízelosztó a masszázs erősségének szabályozásáért felelős. A vízelosztó elforgatásával szabályozható a vízáram a fűvókák között. Az elfordítás különböző fűvókacsoportok masszázserőjét állítja be.

SPA VÍZKEZELÉS ÉS KARBANTARTÁS

Ezek az utasítások általános útmutatóként szolgálnak a medence vízminőségének fenntartásához. Minden beavatkozás előtt konzultáljon helyi SPA szakemberrel, hogy meghatározza a megfelelő fertőtlenítőszer mennyiségét és a megfelelő eljárásokat a medence kapacitása alapján.

- Soha ne használjon gyenge minőségű vegyszereket vagy inkompatibilis berendezést, mert ez károsodáshoz vezethet.
- A vegyszerek használata nem tartozik a garancia hatálya alá.
- A vizet havonta legalább egyszer szakemberrel célszerű ellenőriztetni. Javasolt, hogy a felhasználó hetente egyszer is tesztelje a vizet. Vegyszerek hozzáadása után 20–30 percig keverje a vizet, hogy minden anyag teljesen feloldódjon.

113

- Az ózongenerátor élettartama a használatától függ, ezért rendszeresen ellenőrizni kell.

Szűrő eltávolítása és beszerelése

Patronos szűrő eltávolítása:

- Nyissa fel a patronfedőt a medence tetején.
- Vegye le a szűrőfedőt, és fordítsa el ellentétes irányba, hogy eltávolítsa a papír szűrőt.
- A patronos szűrő beszereléséhez fordított sorrendben járjon el.

Kettős elülső hozzáférésű szűrők eltávolítása

- Emelje fel az elülső panelt, majd húzza ki oldalirányban a szűrőhálót.
- Fordítsa el ellentétes irányba, hogy eltávolítsa a papír szűrőt.
- A szűrő visszahelyezéséhez a fordított sorrendet kövesse.

Nagy elülső hozzáférésű dugós szűrő eltávolítása

- Vegye le a felső fedőt.
- Fordítsa el ellentétes irányba, hogy eltávolítsa a papír szűrőt.
- A visszaszereléshez a fordított sorrendet kövesse.

Ha a medence nincs használatban

Ha 2 hónapnál hosszabb időre utazik el, javasoljuk, hogy kapcsolja ki a spa-t és ürítse ki. Fontos, hogy üres állapotban is hagyja rajta a fedelet, hogy megvédje a burkolatot. Ha csak néhány napra vagy hétre utazik el, ne kapcsolja ki teljesen a spa-t. Csökkentse a hőmérsékletet 15 Celsius-fokra, hogy a szűrőciklusok továbbra is működjenek, de a spa ne melegedjen fel.

- **3-5 nap:** Állítsa be a pH-értéket és végezze el a vízkezelést (a részleteket lásd a víz karbantartása című részben), majd fedje le a spa-t. A spa újrahaználatakor állítsa be a pH-értéket és végezze el a vízkezelést.
- **5-14 nap:** Állítsa be a legalacsonyabb hőmérsékletet vagy alvó módot. Állítsa be a pH-értéket és a vízkezelést (a részleteket lásd a víz karbantartása részben), fedje le a spa-t. A spa újrahaználatakor állítsa be a pH-értéket és a vízkezelést.
- **Több mint 15 nap:** Kapcsolja ki az áramellátást, nyissa ki a leeresztő szelepet, és ürítse ki teljesen a spa-t. Vegye ki a szűrőt, tartsa szárazon a spa-t, és fedje le.

pH érték hatása és beállítása

- Az alacsony pH-érték (7,2 alatt) rontja a fertőtlenítőszer hatékonyságát, növeli a felületek és alkatrészek korróziós kockázatát, valamint bőrirritációt és szemirritációt okozhat.
- Ha a pH-érték magas (7,6 felett), a klór alapú fertőtlenítőszer hatékonyságukat vesztik; a víz zavarossá válhat, és a spa felületein és a fűtőberendezéseken vízkőlerakódás léphet fel.

FIGYELEM! A pH-érték a víz savasságát/lúgosságát méri:

- Alkalisítás: A 7 feletti értékek lúgosak, a 7 alattiak savasak.
- A pH-értéknek 7,2 és 7,6 között kell lennie.

FIGYELEM: Kérjük, ügyeljen a megfelelő pH-érték fenntartására. A helytelen pH-érték okozta károk nem tartoznak a SPA garancia hatálya alá.

pH-érték beállítása

- Ellenőrizze a medence vízének pH értékét naponta (pH mérővel, nem tartozék). Ha a pH nem a javasolt tartományban van, ne használja a medencét. Várjon 2 órát, majd ismét ellenőrizze.
- Ha továbbra sem megfelelő, futtassa a szivattyút további 2 órán át, majd újra teszteljen.
- Ha még mindig nem megfelelő: Vegye le a medence fedelét. Adja hozzá a megfelelő pH- vagy lúgosító/savasító vegyszert (csak az ajánlás szerint). Alaposan keverje el, majd 20 perc után teszteljen újra.

Víz fertőtlenítése

- A fertőtlenítés elengedhetetlen az algák, baktériumok és egyéb kórokozók elpusztításához a vízben. A fertőtlenítőszer túlzott használata azonban bőrirritációt és szemirritációt okozhat.
- Bromid tabletták: Biztonságosak és alkalmasak a használatra. Helyezze az előszűrőbe; fokozatosan oldódik.
- Ellenőrizze naponta a maradék bromidszintet egy tesztkészlettel. Ideális szint: 2,2–3,3 ppm

Fertőtlenítés ózonnal

- Az ózon (O₃) erős és szagtalan fertőtlenítőszer.
- A legtöbb masszázsmedence 1–2 ózongenerátorral van felszerelve.
- A rendszer automatikusan ózont juttat a vízbe a fűvókákon keresztül.
- Az ózont naponta egyszer ajánlott használni, 1–2 órás időtartamban.

114

Hibaelhárítás

Probléma	Lehetséges okok	Megoldás
LCD-n hibaüzenet jelenik meg; a medence leáll	A vezérlőrendszer digitális diagnosztikával rendelkezik, és leáll, ha probléma van a medencében	Ellenőrizze a hibaüzenetet a vezérlő kézikönyvben, majd vegye fel a kapcsolatot a helyi szakkereskedővel a karbantartás elvégzéséhez
A medence bármely üzemmódban nem indul	Áramellátás kikapcsolva	Ellenőrizze, hogy a főkapcsoló vagy kontaktor be van-e kapcsolva
	Vezérlőpanel zárolv	Ellenőrizze, hogy a vezérlőpanel nincs-e zárva, és szükség esetén oldja fel a zárolást
	Elektromos vezérlés hibája (hibaüzenet a kijelzőn)	Ellenőrizze a hibakódot a vezérlő kézikönyvben, majd vegye fel a kapcsolatot a helyi szakkereskedővel
A medence automatikusan bekapcsol	Szűrési funkció fut	Ez a rendszer automatikus működése, nem igényel karbantartást; a rendszer a ciklus végén automatikusan leáll. Nincs felhasználói beavatkozás szükséges
	Fűtési funkció fut	
	Fagyvédelmi funkció fut	
A vízszivattyú automatikusan leáll	A szivattyú futási ideje meghaladta a rendszer alapértelmezett maximális idejét	Nyomja meg újra a szivattyú gombot a szivattyú újraindításához
	A szivattyú motor túlmelegedés elleni védelemben van	Hagyja a szivattyút több mint 1 órát pihenni, amíg lehűl, majd indítsa újra
A medence teljes feltöltés után bekapcsol, a szivattyúk működnek, de nem jön víz a fűvókákból	A fűvókák zárva vannak	Ellenőrizze, hogy a fűvókák nyitva vannak-e; ha nem, nyissa ki őket
	A vízszivattyú levegőt szív	Többször próbálja indítani a

115

116

		szivattyút. Ha nem működik, nyissa ki a szivattyú fedelét a levegő kiengedéséhez, majd csavarja vissza szorosan. A szivattyú levegőszivásának megelőzése érdekében töltsd a vizet a szűrőn keresztül
A medence lassan melegszik	Alacsony hőmérséklet van beállítva	Állítsa be újra a kívánt hőmérsékletet
	Szűrőpatron koszos	Tisztítsa meg vagy cserélje a szűrőt
	Nincs fedő a medencén, hővesztés lép fel	Helyezze vissza a fedelet, amikor nem használja a medencét
	A fűvóka, amely a keringető szivattyúhoz kapcsolódik, zárva van	Nyissa ki a fűvókát
	Fűtőelem hibás	Vegye fel a kapcsolatot a helyi szakkereskedővel
A fűvókák masszázsejeje kicsi	A fűvókák nincsenek teljesen nyitva	Nyissa ki a fűvókákat
	A fűvókák eltömödtek	Forgassa el a fűvóka fedelét az óramutató járásával ellentétesen a végéig, majd erővel tekerje tovább, hogy kiforgassa a fűvókát. Ellenőrizze, van-e idegen tárgy a fűvókában
	A levegőszelep ki van kapcsolva	Nyissa ki a levegőszelep kapcsolót
	A vízszelvény zárva van, akadályozva a víz kiáramlását	Forgassa el a szelepeket a vízárny szabályozásához
	A vízszivattyú vezérlőszelepe nincs teljesen nyitva	Ellenőrizze, hogy a szivattyú szelepe teljesen nyitva van-e
	Szívó- vagy szűrőrendszer	Ellenőrizze a szívót és a

A fűvóka vízszelvénye néha erős, néha gyenge	eltömödött; a szivattyú vezérlőszelepe nincs teljesen nyitva	szűrőt idegen tárgyak után, és távolítsa el őket. Ellenőrizze, hogy mindkét szivattyúszelep teljesen nyitva van-e.
--	--	--

Egyéb speciális vegyi termékek alkalmazása

A pH-beállításra és a fent említett fertőtlenítési módszereken kívül vannak olyan tisztítószerek is, amelyek a masszázsmedence vízének karbantartásához használhatók:

- **VÍZKÖGÁTLÓ:** Használható a kalcium-sók (vízkő) kiválásának megelőzésére vagy csökkentésére, különösen kemény víz esetén. Hetente egyszer, illetve minden vízcseré után alkalmazandó.
- **ALGAGÁTLÓ:** Megakadályozza az algák elszaporodását a vízben. Hetente egyszer, illetve minden vízcseré után használja.
- **HABZÁSGÁTLÓ:** Megakadályozza a víz habzását. Hetente egyszer, illetve minden vízcseré után használja.

FIGYELMEZTETÉS

A vegyszereket mindig az előírt mennyiségben adagolja a vízhez. Ne keverje össze a különböző termékeket, mert reakcióba léphetnek egymással. Ne dohányozzon a vegyszerek kezelése közben – egyes termékek gyúlékonyak lehetnek. Ne adagoljon vegyszereket, amíg valaki a medencében tartózkodik. A tartályokat tartsa jól lezárva, száraz, jól szellőző helyen, gyermekektől elzárva. Ne lélegezzen be a vegyi anyagokat, és ügyeljen arra, hogy ne kerüljenek a szemébe, orrába vagy szájába. Használat után mindig mosson kezet. Baleset vagy lenyelés esetén kövesse a termék címkéjén feltüntetett sürgősségi utasításokat.

SPA tisztítás és karbantartás

A masszázsmedence birtoklása pihentető és terápiás élményt nyújt, ugyanakkor fontos a megfelelő karbantartás, hogy a víz higiénikus maradjon, és a berendezés gazdaságosan, hosszú távon működjön – így elkerülhető a felesleges javítási költségek. Az alábbiakban egy egyszerű, lépésről lépésre követhető útmutatót talál.

A SPA felületének tisztítása és karbantartása

A masszázsmedence felülete magassfényű akrilból készül, amelyet tisztán kell tartani. Javasolt a külső felület heti tisztítása, valamint a teljes medence tisztítása minden leeresztés után. Az alábbi lépéseket kövesse:

- A szennyeződések nedves törölkendővel távolítsa el. Használjon semleges tisztítószert és puha kendőt. Ne használjon ketont vagy klórt tartalmazó tisztítószereket.
- Ha a felületen apró karcolások vannak, finoman csiszolja át 2000-es finomságú csiszolópapírral, majd kenjen rá fogkrémet, és egy puha kendővel polírozza vissza a fényét.
- Kérjük, ne tisztítsa a spa felületét vegyi oldatokkal/oldószerekkel vagy dörzsölő eszközökkel.
- Ne karcolja meg a spa felületét kemény tárgyakkal vagy késsel.
- Ne használjon körömlakkot, körömlakkmosót, vegytisztító folyadékokat, acetont, festékeltávolítót stb. a spa felületén, mivel ezek károsíthatják azt.
- Cigarettszikkák és 70°C-nál magasabb hőforrások nem érintkezhetnek a spa-val.

Vezérlőpanel karbantartása

- Ne érintse meg a vezérlőpanelt kemény tárgyakkal, mert megkarcolhatja.
- Kerülje a közvetlen napfényt, amely a panelre süt.
- Tartsa szárazon a vezérlőpanelt, amikor a spa nincs használatban.

Párna karbantartása

- A párnát semleges tisztítószerekkel tisztítsa.
- A túlzott klórtartalmú tisztítószerek és az ózon kifikáthatják a párnát.
- Kérjük, használat után mindig vegye le a párnát a spa-ról.
- Óvatosan kezelje, mivel a párna nem tartozik a garancia hatálya alá.

Spa fedél karbantartása

- A fedelet szappanos vízzel tisztítsa, ügyelve arra, hogy a szappanos víz ne kerüljön a spa belsejébe.
- Ne fogja meg és ne húzza a fedél középső összekötő részét – ez könnyen eltörhet.
- Ne üljön, ne feküdjön, és ne ugráljon a fedélen, mivel az ebből eredő sérülések nem tartoznak a garancia alá.

Megjegyzés: Használat vagy tisztítás után mindig fedje le a spa-t. A fedetlenül hagyott spa és tartozékai elveszítik garanciájukat az időjárási hatások vagy napsugárzás miatt.

Szűrő karbantartása:

A szűrőket rendszeresen kell tisztítani. Hetente egyszer el kell távolítani a szűrőket, és magasnyomású vízszugárral ki kell mosni belőlük minden szennyeződést. Havonta egyszer a szűrőket szűrőpatron-tisztító oldatba kell áztatni, majd ezt követően ismét magasnyomású vízzel átöblíteni.

Szűrő tisztítása

1. Kapcsolja ki az áramot.
2. Vegye ki a patron (a szűrő eltávolítási útmutató szerint).
3. A szűrőt az óramutató járásával ellentétes irányba forgatva távolítsa el a patronból.
4. Tisztítsa meg a patron vízzel, amíg nem marad benne szennyeződés.
5. Fújja le a szűrőt vízzel fentről lefelé, kb. 45°-os szögben (lásd a jobb oldali ábrát).
6. Tisztítás után szerelje vissza a szűrőt és a patron.
7. Kapcsolja vissza az áramot.

Figyelmeztetés: A szűrők eltávolítása előtt minden esetben kapcsolja ki a pezsgőfürdő áramellátását. Ha a készülék áram alatt marad, és a szivattyúba vagy a fűtőelembe idegen anyag kerül, ami meghibásodást okoz, az ilyen jellegű hiba nem tartozik a garancia hatálya alá.

Garanciális feltételek és teljesítési fedezet

Cégünk korlátozott, 2 évre szóló garanciát biztosít, amely kizárólag a termék tervezési, anyag- vagy gyártási hibáira vonatkozik. Ez a garancia csak magán-, személyes és nem kereskedelmi célú használat esetén érvényes. A javítások vagy cserék nem hosszabbítják meg és nem újítják meg az eredeti garancia időt.

A garancia csak az alkatrészekre vonatkozik, kivéve, ha írásban másképp szerepel. Szállítási sérülés esetén a kárt 24 órán belül jelenteni kell, fotókkal dokumentálva, és azt a szállítóval el kell ismertetni. Az engedély nélküli javítási kísérletek vagy az előírt eljárás be nem tartása a garancia elvesztését eredményezheti.

A garancia nem vonatkozik az alábbiakra:

- Helytelen használatból vagy karbantartásból eredő károk.
- Emberi tényező okozta károk.
- A termék módosítása a gyártó engedélye nélkül.
- Korrozív vagy helytelen tisztítószerek által okozott elszíneződés, sérülés.
- Helytelen szállítás vagy tárolás miatti károsodás.
- Természeti katasztrófákból eredő károk („vis maior”).

- Természeti színfakulás.

Korlátozott garancia: A gyártó fenntartja a jogot a végső értelmezésre.

Megjegyzés: A garancia a gyártó által igazolt gyártási befejezés dátumától érvényes.

Teljesítménynyilatkozat:

1. Terméktípus egyedi azonosító kódja:
A termék szám az oldal alján található.
2. Rendeltetésszerű használat:
Otthoni pezsgőfürdő (SPA) – wellness / személyes higiéniai célokra.
3. Importőr:
Beliani GmbH
Haldenstrasse 5
6340 Baar
Switzerland
Phone +41 43 5082233
4. Felhatalmazott képviselő: %
5. Teljesítményállandóság értékelésének rendszere: Rendszer 1
 - a. Harmonizált szabványok:
EN55014-1:2006/A1:2009/A2:2011
EN55014-2:2015 EN61000-3-12:2011
EN61000-3-11:2000
The EMC directive (2014/30/EU)
EN60335-2-60:2003+A1:2005+A2:2008+A11:2010+A12:2010
EN60335-1:2012+AC:2014+A11:2014
EN62233:2008
EMC irányelv: (2014/30/EU)
 - b. EN60335-2-60:2003 + módosítások
 - c. EN60335-1:2012 + módosítások
 - d. EN62233:2008
 - e. Alacsony feszültségű irányelv: (2014/35/EU)

6. Lényeges jellemzők és megfelelés:

Tulajdonság	Teljesítmény	Vonatkozó műszaki előírás
Felhasználói biztonság	Megfelel	EN 60335-2 EN 60335-1 EN 62233
Működés (normál és rendellenes)	Megfelel	
Alacsony feszültségű irányelv	Megfelel	
Elektromágneses összeférhetőség (EMC)	Megfelel	EN 55014-1 EN 55014-2 EN 61000-3-12 EN 61000-3-11

7. Műszaki dokumentáció:

Report No: 60445226 001 TÜV Rheinland
Report No: 60445226 001 TÜV Rheinland

A fent nevezett termék teljesítménye megfelel a megadott követelményeknek. A fenti importőr kizárólagos felelősséget vállal az EU 305/2011 rendelet szerinti teljesítménynyilatkozat elkészítéséért.

Melléklet


Cikkszám	Típus
37979 (E-351S) CALIMA	Whirlpool SPA
37981 (M-530D) VILLARRICA	Whirlpool SPA
37983 (E-310S) MARFIL	Whirlpool SPA

A nyilatkozatot az importőr nevében aláírta:
Michael Widmer, ügyvezető igazgató



6340 Baar, 2024.05.20

Italiano (IT)



Istruzioni per l'uso:

Prima dell'uso, leggere attentamente il presente manuale di istruzioni.

Con la corretta preparazione e cura, la tua SPA ti regalerà molti anni di divertimento e relax. Questo manuale è stato progettato per fornirti tutte le informazioni essenziali riguardanti la preparazione, l'installazione, la cura e il funzionamento della vostra nuova spa. Ti preghiamo di leggere attentamente l'intero manuale per garantire un utilizzo corretto e sicuro della spa.

Funzione principale e caratteristiche del prodotto:

- **Funzione idroterapica:** La spa è dotata di speciali sedute per l'idroterapia, progettate ergonomicamente per supportare il corpo. È possibile regolare la pressione del massaggio modificando le impostazioni del massaggio, il deviatore d'acqua e il regolatore d'aria.
- **Funzione di terapia con soffiatore d'aria:** Attiva il soffiatore d'aria per rilasciare un grande volume di bolle d'aria attraverso getti d'aria appositamente progettati, creando un'esperienza di massaggio frizzante che è allo stesso tempo terapeutica e divertente.
- **Funzione di riscaldamento:** La spa riscalda l'acqua e consente agli utenti di impostare la temperatura desiderata. Il sistema di riscaldamento mantiene questa temperatura costante, garantendone la disponibilità tutto l'anno.
- **Funzione di filtro e circolazione:** La spa è dotata di un sistema di filtrazione con filtro integrato e sterilizzazione all'ozono. Mentre filtra le impurità, il sistema attiva automaticamente il ciclo di filtrazione per eliminare i batteri utilizzando l'ozono generato dall'unità.
- **Illuminazione:** L'illuminazione subacquea a LED esalta l'atmosfera della spa. Controllato tramite il pannello, il sistema di illuminazione non solo illumina l'acqua, ma crea anche un'atmosfera romantica e rilassante.

Importante: Tutte le funzioni sopra menzionate sono descrizioni generali dei nostri prodotti spa. Le caratteristiche specifiche della tua spa potrebbero variare. Si prega di verificare i dettagli prima di effettuare l'acquisto. Il produttore si riserva il diritto di modificare o migliorare i prodotti senza preavviso e senza alcun obbligo.

Istruzioni importanti

È essenziale acquisire familiarità con le procedure generali di sicurezza e di trattamento dell'acqua delle piscine termali. Assicurati di aver compreso le seguenti informazioni:

- **Requisiti di drenaggio:** Assicurarsi che la spa non venga installata in una zona bassa o soggetta ad allagamenti, poiché ciò potrebbe causare guasti alle apparecchiature elettriche o rappresentare un pericolo per gli utenti della spa.
- **Rischio di scossa elettrica:** Come per tutti gli apparecchi elettrici, esiste il rischio di scosse elettriche. La sala macchine, situata all'interno dell'armadio, ospita l'unità di controllo che gestisce la spa. Questa cabina deve rimanere sempre chiusa. In caso di infiltrazioni d'acqua nella sala macchine, spegnere la spa dall'alimentazione elettrica e assicurarsi che tutti i componenti siano completamente asciutti prima di tentare di riavviarla.
- **Temperatura:** Mantenere la temperatura dell'acqua della spa non superiore a 40 °C. Temperature più elevate possono affaticare il sistema cardiovascolare. Se la temperatura supera i 40 °C, uscire dalla spa e contattare immediatamente il rivenditore. Si raccomanda di non superare la normale temperatura corporea (circa 37,5 °C).
- **Condizioni mediche:**
 - Le persone affette da diabete, pressione alta, problemi cardiaci o altri problemi cardiovascolari dovrebbero consultare un medico prima di utilizzare la spa.
 - Per ridurre la contaminazione e i rischi per la salute, fare la doccia con acqua e sapone prima di entrare nella spa.
 - Chiunque abbia ferite aperte o qualsiasi forma di infezione non deve utilizzare la spa.
 - L'acqua calda può rappresentare un ambiente ideale per i batteri, soprattutto se i livelli di disinfettante non vengono mantenuti correttamente.
 - Le donne incinte dovrebbero sempre consultare il proprio medico prima di utilizzare una spa.
- **Tempo di ammollo e raffreddamento:** Limitare le sedute nella spa a 15-20 minuti alla volta. Alcune spa sono dotate di una seduta rinfrescante. Se si inizia a sentire troppo caldo, sedersi sulla seduta rinfrescante e lasciare che il corpo si raffreddi. Una volta che ci si sente a proprio agio, si può rientrare lentamente in acqua. Sedersi nella spa con il petto sopra la linea di galleggiamento aiuta a ridurre il tempo necessario per raffreddarsi. Evitare l'esposizione prolungata all'acqua a una temperatura superiore a quella corporea normale, poiché può essere pericolosa.
- **Consumo di alcol e farmaci:** Il consumo di alcol all'interno o nei pressi della SPA è altamente pericoloso. Non utilizzare mai contenitori di vetro vicino alla SPA. L'alcol aumenta il rischio di annegamento. Chiunque assuma farmaci dovrebbe consultare il proprio medico prima di entrare nella SPA.
- **Sicurezza dei bambini:** I bambini non devono utilizzare la spa senza supervisione.
- **Prevenire gli scivolamenti:** Prestare sempre attenzione quando si entra e si esce dalla spa, poiché le superfici bagnate o irregolari possono essere scivolose. Utilizzare corrimano e superfici antiscivolo per ridurre il rischio di cadute. In alcuni casi, potrebbero essere necessari gradini per facilitare l'ingresso e l'uscita.

- **Elettrodomestici:** Non posizionare mai dispositivi elettrici a meno di 2 metri dalla SPA.
- **Condizioni meteorologiche:** Non utilizzare o far funzionare la SPA in caso di condizioni meteorologiche avverse, come temporali, cicloni o tempeste elettriche.
- **Ventilazione:** Se l'area SPA non è adeguatamente ventilata, gli utenti potrebbero riscontrare irritazioni alla gola. Assicurarsi che la piscina SPA sia installata in un'area ben ventilata, soprattutto se al chiuso.
- **Prodotti chimici:** I prodotti chimici sono essenziali per mantenere l'acqua pulita, prevenire la proliferazione batterica e prolungare la durata della SPA e dei suoi componenti. Tuttavia, se utilizzati in forma concentrata (come alcuni prodotti chimici per la casa), possono essere pericolosi. Maneggiare sempre i prodotti chimici per la spa con cura e seguire le istruzioni di sicurezza. Consultare l'etichetta del prodotto e la documentazione di sicurezza. Informazioni più dettagliate sull'uso sicuro dei prodotti chimici sono disponibili nella sezione Gestione dei Prodotti Chimici.

Installazione Spa

Affidati sempre a un professionista qualificato per l'installazione della vostra SPA. Il produttore non è responsabile per eventuali danni causati da un'installazione errata o da lavori eseguiti da personale non qualificato.

Posizionamento e ubicazione della spa

- La spa deve essere posizionata in modo da garantire un facile accesso per la manutenzione e l'assistenza. La maggior parte delle attrezzature si trova nella parte anteriore della spa e deve rimanere accessibile per il collegamento elettrico e la manutenzione.
- Si consiglia di lasciare almeno 1,2 metri di spazio libero su tutti e quattro i lati della SPA per eventuali accessi futuri.
- Il proprietario è tenuto a garantire che l'installazione sia completata correttamente prima dell'inizio del servizio.
- Tutte le attrezzature SPA portatili necessitano di ventilazione. Non ostruire le prese d'aria nel mobile.
- Posizionare la SPA lontano dagli alberi per evitare che le foglie ostruiscano il filtro.

Nota importante:

Non lasciare la SPA esposta alla luce diretta del sole per periodi prolungati. Ciò potrebbe invalidare la garanzia. La SPA include un isolamento termico sopra la struttura e le tubazioni. Se esposta alla luce solare diretta, la temperatura superficiale può raggiungere i 200 °C, con conseguenti danni alla SPA.

Si consiglia di utilizzare sempre la copertura rigida quando la spa non è in uso e di posizionarla in un luogo protetto da condizioni meteorologiche estreme e avverse. Lasciare la spa scoperta ed esposta potrebbe invalidare la garanzia sulla spa e sui suoi accessori.

125

126

Requisito di posizione

- Prima dell'installazione, si consiglia di consultare un professionista per confermare la posizione appropriata per la SPA.
- Evitare di posizionare la SPA in un luogo in cui l'acqua potrebbe penetrare nel vano delle apparecchiature elettriche. Assicurarsi inoltre che sia protetta dal contatto diretto con aree molto umide.
- Posizionare la SPA orizzontalmente, assicurandosi che l'intera base dell'unità sia su una superficie liscia, piana e livellata, in grado di sostenere il peso quando è completamente riempita d'acqua, più il peso dei bagnanti (richiede una capacità di carico di 1000 kg).
- La spa non deve essere posizionata su superfici curve, morbide, sabbiose o su blocchi.

Installazione elettrica

- L'alimentazione elettrica della tua nuova spa deve essere su un circuito dedicato, senza altri elettrodomestici o prese che condividano l'alimentazione. I danni causati da un amperaggio errato NON saranno coperti dalla garanzia. Consulta un elettricista qualificato per il collegamento elettrico.
- Assicurarsi che la nuova spa sia correttamente messa a terra. L'alimentazione principale deve includere un interruttore differenziale (RCD) ad alta sensibilità. Si consiglia un salvavita da 30 mA.

Selezionare una dimensione di cablaggio adatta:

Potenza (KW)	2.1	2.5	2.8	3.2	3.5	4.4	5.3	6.2	7.0	7.9	8.8
Distanza del prodotto											
6 - 11 metri	2.5	2.5	2.5	2.5	4	4	6	10	10	10	10
11 - 15 metri	2.5	2.5	2.5	4	4	4	6	6	10	10	10
15 - 20 metri	4	4	4	4	6	6	10	10	10	16	16

Manutenzione della SPA

Possedere una SPA è piacevole, rilassante e terapeutico, ma è importante mantenere il proprio investimento per garantirne la redditività e la buona salute, evitando inutili e

prematuri costi di riparazione. Di seguito è riportata una semplice guida passo passo da seguire.

Riempire la tua SPA

1. Prima di riempire la SPA, controllare e serrare tutti i connettori sotto tensione, poiché potrebbero allentarsi durante il trasporto.
2. Controllare e assicurarsi che tutte le valvole di ritegno siano in posizione aperta.
3. Verificare che la valvola di scarico sia chiusa.
4. Assicurarsi che tutti gli ugelli siano in posizione aperta. Ruotare in senso orario per aprire gli ugelli.
5. Riempire la SPA con acqua. Riempire attraverso il filtro per evitare blocchi d'aria nelle pompe.
6. Riempire d'acqua fino a raggiungere il livello desiderato.

Nota: Per evitare danni ai componenti, NON riempire la SPA con acqua calda a temperatura superiore a 40°C.

Svuotamento della SPA

Se si utilizza la SPA solo una o due volte a settimana, lo svuotamento sarà meno frequente rispetto a chi la utilizza tre o più volte a settimana. Pertanto, si consiglia di svuotare la SPA almeno ogni 3 mesi.

La valvola di scarico si trova nella parte anteriore della base inferiore. Le istruzioni per lo scarico sono le seguenti:

1. Togliere il coperchio della valvola di scarico ruotandolo in senso antiorario
2. Collegare il tubo alla valvola di scarico (diametro del tubo: ¾" o 19,04 mm)
3. Estrarre e svitare finché l'acqua non inizia a scorrere

Nota: Assicurarsi che l'alimentazione sia spenta prima di procedere allo svuotamento. I danni causati dal funzionamento a secco non saranno coperti dalla garanzia.

Istruzioni per il pannello di controllo SPA

Per il funzionamento del pannello di controllo SPA, fare riferimento al Manuale utente del sistema di controllo e alla Guida rapida all'uso.

Istruzioni per il getto

I getti sono i principali componenti responsabili del massaggio. È possibile regolare il flusso d'acqua ruotando la superficie del getto.

- Ruotare il coperchio del getto in senso orario di circa 1/4 di giro per aprire i getti.

127

128

- Per chiudere i getti, ruotare il coperchio del getto in senso antiorario di circa 1/4 di giro.

Nota: Alcuni getti d'acqua e getti d'aria non sono regolabili. Non ruotare questi getti con forza, poiché ciò potrebbe danneggiarli.

Istruzioni per i controlli dei getti d'aria

- I controlli dell'aria influenzano la pressione dei getti aggiungendo aria. La spa potrebbe avere più di un controllo dell'aria, ognuno dei quali sarà associato a uno specifico gruppo di getti. Aprendo un controllo dell'aria, verrà aspirata più aria nel flusso d'acqua.
- Ruotando il controllo dell'aria in senso orario, la potenza dei getti massaggianti diminuisce.
- Ruotandolo in senso antiorario, si aumenta la potenza dei getti massaggianti.

Nota: Per una migliore efficienza di riscaldamento, spegnere i comandi dell'aria. Il ventilatore potrebbe abbassare la temperatura dell'acqua della spa.

Istruzioni per il Deviatore dell'Acqua

Il deviatore d'acqua è il componente che regola la potenza del massaggio. Ruotando il deviatore si controlla il flusso d'acqua tra i getti. Ruotandolo si regola la potenza del massaggio dei diversi gruppi di getti.

GESTIONE E MANUTENZIONE DELL'ACQUA DELLA SPA

Si prega di notare che queste istruzioni sono da intendersi come guida generale per il mantenimento della qualità dell'acqua della spa. Prima di intraprendere qualsiasi azione, consultare il proprio specialista SPA di zona per conoscere la quantità appropriata di disinfettante da utilizzare e le procedure idonee in base alla capacità della propria spa.

- Non utilizzare mai prodotti chimici di scarsa qualità o attrezzature incompatibili, poiché potrebbero causare danni.
- I prodotti chimici non sono coperti da garanzia.
- Si prega di far analizzare l'acqua da un professionista almeno una volta al mese. Si raccomanda inoltre di far analizzare l'acqua settimanalmente. Quando si aggiungono sostanze chimiche, mescolare in acqua per 20-30 minuti e assicurarsi che tutte le sostanze siano completamente disciolte.

L'effetto e la regolazione del pH

- Un pH basso (inferiore a 7,2) compromette l'efficacia dei disinfettanti, aumenta il rischio di corrosione delle superfici e dei componenti e può causare irritazioni alla pelle e agli occhi.

- Se il pH è elevato (superiore a 7,6), i disinfettanti a base di cloro perdono efficacia; l'acqua può diventare torbida e possono formarsi incrostazioni sulle superfici della spa e sui riscaldatori.

ATTENZIONE! Il livello di pH misura l'acidità/alcalinità dell'acqua:

- Alcalinità: i valori superiori a 7 sono alcalini; quelli inferiori a 7 sono acidi.
- Si consiglia un pH compreso tra 7,2 e 7,6.

AVVERTIMENTO: Assicurarsi di mantenere il corretto livello di pH. Eventuali danni causati da un pH errato non saranno coperti dalla garanzia della tua SPA.

Regolazione del pH

- Controllare quotidianamente il pH dell'acqua della spa utilizzando il misuratore di pH (non fornito). Se il pH è al di fuori dell'intervallo raccomandato, non utilizzare la spa. Attendere due ore e ripetere il test.
- Se il pH rimane errato, far funzionare la pompa per altre 2 ore e ricontrollare.
- Se il risultato è ancora errato: scoprire la copertura della spa e ripetere il test dopo aver aggiunto il pH o l'alcalinità/agente chimico acidificante appropriati (utilizzare solo come consigliato). Mescolare bene, quindi ripetere il test dopo 20 minuti.

Disinfezione dell'acqua

- La disinfezione è fondamentale per eliminare alghe, batteri e altri agenti patogeni presenti nell'acqua. Tuttavia, un uso eccessivo di disinfettanti può causare irritazioni cutanee e oculari.
- **Comprese di bromuro:** Sicuro e adatto all'uso. Inserire nel prefiltro; si dissolve gradualmente.
- Controllare quotidianamente i livelli residui di bromuro con un kit di prova. Livelli ideali: 2,2-3,3 ppm

Disinfezione con ozono

- L'ozono (O₃) è un disinfettante potente e inodore.
- La maggior parte delle spa è dotata di 1-2 generatori di ozono.
- Il sistema inietta automaticamente l'ozono nell'acqua della spa tramite i getti.
- L'ozono dovrebbe essere rilasciato una volta al giorno. La disinfezione con ozono consigliata è una volta al giorno, per una durata di 1-2 ore.
- La durata del generatore di ozono dipende dall'uso e deve essere controllato regolarmente.

129

130

Rimozione e installazione del filtro

Rimozione della cartuccia e del filtro:

- Aprire il coperchio della cartuccia sul lato superiore.
- Rimuovere il coperchio del filtro e ruotarlo in senso antiorario per rimuovere il filtro di carta.
- Per installare il filtro a cartuccia, eseguire questi passaggi in ordine inverso.

Rimozione dei doppi filtri di accesso frontale:

- Sollevare il pannello frontale ed estrarre lateralmente lo schermo.
- Ruotare in senso antiorario per rimuovere il filtro di carta.
- Per installare i filtri ad accesso frontale doppio, eseguire questi passaggi in ordine inverso.

Rimozione del filtro di grande accesso frontale:

- Rimuovere il coperchio superiore.
- Ruotare in senso antiorario per rimuovere il filtro di carta.
- Per installare il filtro con tappo di accesso anteriore, eseguire questi passaggi in ordine inverso.

Quando la tua spa non è in uso

Se si prevede di assentarsi per un periodo superiore a 2 mesi, si consiglia di spegnere la spa e svuotarla. È importante ricordare di lasciare la copertura anche quando è vuota per proteggere il guscio. Se si prevede di assentarsi per alcuni giorni o settimane, non spegnere completamente la spa. Abbassare la temperatura a 15 gradi Celsius, in modo che i cicli di filtrazione continuino a funzionare, ma la spa non si riscaldi.

- **3-5 giorni:** Regolare il pH e il trattamento dell'acqua (per i dettagli, consultare la sezione sulla manutenzione dell'acqua), coprire la spa. Regolare il pH e il trattamento dell'acqua quando si riutilizza la spa.
- **5-14 giorni:** Impostare la temperatura più bassa o la modalità sleep. Regolare il pH e il trattamento dell'acqua (per i dettagli, consultare la sezione relativa alla manutenzione dell'acqua), coprire la spa. Regolare il pH e il trattamento dell'acqua quando si riutilizza la spa.
- **Più di 15 giorni:** Spegnere l'alimentazione, aprire la valvola di scarico e svuotare completamente la spa. Rimuovere il filtro, mantenere la spa asciutta e coprirlo.

Risoluzione dei problemi

Descrizione problema	Possibili cause	Soluzione
Sul display LCD appare un messaggio di errore; la spa smette di funzionare	Il sistema di controllo è dotato di una funzione di diagnostica digitale che smette di funzionare se si verifica un problema nella spa e si riavvia una volta risolto il problema.	Controllare il messaggio di errore nel manuale del sistema di controllo, quindi contattare il rivenditore locale per effettuare la manutenzione.
La spa non può essere avviata in nessuna modalità	L'alimentazione è spenta	Controllare se l'interruttore di alimentazione o il contattore sono accesi.
	Il pannello di controllo è bloccato	Controllare se il pannello di controllo è bloccato e sbloccarlo se necessario
	Guasto al controllo elettrico (il display mostra un messaggio di errore)	Controllare il codice di errore nel manuale di controllo, quindi contattare il rivenditore per eseguire la manutenzione.
La spa si apre automaticamente	La funzione di filtraggio è in esecuzione	Questa è solo una funzione automatica del sistema; non è richiesta alcuna manutenzione. Il sistema si arresterà automaticamente al termine della funzione. Non è richiesta alcuna azione da parte dell'utente.
	La funzione di riscaldamento è in funzione	
	La funzione antigelo è in esecuzione	
La pompa dell'acqua si spegne automaticamente quando si utilizza la spa	Il tempo di funzionamento della pompa è superiore al tempo di funzionamento massimo predefinito del sistema	Premere nuovamente il pulsante della pompa per riavviarla. Lasciare che la pompa.
	Il motore della pompa è in modalità di protezione dal surriscaldamento	Arrestare il funzionamento della pompa per più di 1 ora, finché non si è raffreddata, quindi riavviarla.
La spa si accende dopo	I getti sono chiusi	Controllare se i getti sono

131

132

essersi riempita completamente d'acqua, poi si accendono anche le pompe dell'acqua, ma dai getti non esce acqua		chiusi; in caso contrario, aprirli
	La pompa dell'acqua aspira aria	Provare ripetutamente ad avviare le pompe dell'acqua. Se il problema persiste, aprire il coperchio della pompa dell'acqua per far uscire l'aria, quindi avvitare saldamente. Nel frattempo, riempire d'acqua attraverso il filtro per evitare che l'interno della pompa dell'acqua aspiri aria.
La spa si sta riscaldando lentamente	Set di bassa temperatura	Reimpostare la temperatura
	La cartuccia del filtro è sporca	Pulire o sostituire del filtro
	Nessuna copertura sulla spa, causando perdita di calore	Coprire la spa quando non è in uso
	Il getto collegato alla pompa di circolazione è chiuso	Aprire i getti
	Il riscaldatore è rotto	Contattare il rivenditore locale per effettuare la manutenzione
La potenza del massaggio dei getti è piccola	I getti non sono completamente aperti	Aprire i getti
	I getti sono intasati	Ruotare il coperchio del getto in senso antiorario fino in fondo, quindi forzarlo in senso antiorario per far uscire i getti a spirale. Verificare che non vi siano corpi estranei all'interno dei getti.
	Valvola dell'aria spenta	Aprire l'interruttore della valvola dell'aria.
	Valvola dell'acqua chiusa, impedendo all'acqua di uscire dai getti	Ruotare le valvole, regolando i getti d'acqua.

133

Pulizia e manutenzione delle superfici della spa

La superficie della spa è realizzata in acrilico lucido. È importante mantenerla pulita. Si consiglia di pulire la superficie esterna della spa una volta alla settimana e di pulire l'intera spa dopo lo svuotamento. Di seguito sono riportati i passaggi dettagliati:

- Pulire lo sporco con un panno umido. In alternativa Usare un detergente neutro e un panno morbido. Non usare detersivi contenenti chetoni o acqua clorata.
- Se la superficie presenta dei graffi leggeri, lucidarla con carta vetrata a grana 2000 e ritoccarla con del dentifricio, quindi lucidarla nuovamente con un panno morbido.
- Si prega di non pulire la superficie della spa con soluzioni chimiche/solventi o strumenti abrasivi. Non graffiare la superficie della spa con materiali duri o un coltello.
- Non pulire la superficie della spa con smalto per unghie, solvente per unghie, liquido per lavaggio a secco, acetone, sverniciatore, ecc., poiché potrebbero danneggiarne la superficie.
- La spa non deve essere toccata né da mozziconi di sigaretta né da fonti di calore superiori a 70°C.

Manutenzione del pannello di controllo

- Non toccare il pannello di controllo con oggetti duri per evitare graffi.
- Evitare la luce solare diretta sul pannello di controllo.
- Si prega di tenere il pannello di controllo asciutto quando la spa non è in uso.

Manutenzione del cuscino

- Pulire il cuscino con un detergente neutro.
- Un uso eccessivo di detersivo a base di cloruro e ozono può causare lo scolorimento del cuscino. Rimuovere il cuscino dopo l'uso della spa. Maneggiarlo con cura, poiché non è coperto da garanzia.

Manutenzione della copertura della spa

- Pulire la copertura con acqua saponata. Assicurarsi che l'acqua saponata non penetri all'interno della spa.
- Non afferrare o tirare il collegamento al centro della copertura, perché si rompe facilmente.
- Si prega di non sedersi, sdraiarsi o saltare sulla copertura. I danni causati da tali azioni potrebbero non essere coperti dalla garanzia.

Nota: Si prega di coprire la spa dopo l'uso o la pulizia. Lasciare la spa scoperta ed esposta può invalidare la garanzia sulla spa e sui suoi accessori.

135

	La valvola di controllo della pompa dell'acqua non è completamente aperta	Controllare che la valvola della pompa dell'acqua sia completamente aperta.
Il getto d'acqua che spruzza a volte è forte, a volte debole	Aspirazione o filtro intasati. La valvola di controllo della pompa dell'acqua non è completamente aperta.	Controllare se l'aspirazione o il filtro contengono corpi estranei e rimuoverli. Controllare che entrambe le valvole della pompa dell'acqua siano completamente aperte.

L'applicazione di altri prodotti chimici speciali

Oltre alla regolazione del pH e ai metodi di disinfezione sopra menzionati, esistono alcuni prodotti detergenti che possono essere utilizzati nell'acqua della spa:

- **ANTICALCAREO:** Può essere utilizzato per prevenire/ridurre la precipitazione di sali di calcio (incrostazioni), soprattutto nelle zone con acqua dura. Utilizzare una volta alla settimana e ogni volta che si rinnova l'acqua.
- **ALGHICIDA SPA:** Previene la crescita delle alghe nell'acqua. Usalo una volta a settimana e ogni volta che l'acqua viene rinnovata.
- **ANTISCHIUMA:** Previene la formazione di schiuma nell'acqua. Usalo una volta a settimana e ogni volta che l'acqua viene rinnovata.

AVVERTIMENTO

Aggiungere all'acqua le quantità esatte, come specificato. Non mescolare i prodotti per evitare possibili reazioni. Non fumare durante la manipolazione di questi prodotti: potrebbero essere infiammabili. Non aggiungere prodotti chimici all'acqua se c'è qualcuno nella spa. Tenere i contenitori ben chiusi in luoghi asciutti e ben ventilati e tenere questi prodotti fuori dalla portata dei bambini. Non inalare i prodotti chimici e fare attenzione a non farli entrare in contatto con occhi, naso o bocca. Lavarsi le mani dopo l'uso. Seguire le istruzioni di emergenza sull'etichetta del prodotto in caso di incidente o ingestione.

Pulizia e manutenzione della SPA

Possedere una spa è rilassante e terapeutico, ma, cosa ancora più importante, è fondamentale prendersene cura adeguatamente, per mantenerla sana ed economica, evitando così inutili costi di riparazione prematuri. Di seguito è riportata una semplice procedura dettagliata da seguire.

Manutenzione del filtro

Si dovrebbero pulire i filtri regolarmente. Una volta alla settimana, bisognerebbe rimuoverli e rimuovere eventuali detriti con un getto d'acqua ad alta pressione. Una volta al mese, si dovrebbe immergere i filtri in una soluzione detergente per filtri a cartuccia e poi lavarli con un getto d'acqua ad alta pressione.

Pulizia del filtro

1. Spegnerne l'alimentazione.
2. Rimuovere la cartuccia; prima di procedere, leggere attentamente le istruzioni per la rimozione del filtro.
3. Rimuovere il filtro dalla cartuccia ruotandolo in senso antiorario.
4. Pulire la cartuccia con acqua fino a quando non rimangono residui.
5. Spruzzare il filtro con acqua, dall'alto verso il basso, con un'angolazione di 45° (vedere le foto sul lato destro).
6. Dopo la pulizia, installare il filtro e la cartuccia.
7. Accendere la corrente.

Avvertimento: Quando si rimuovono i filtri, assicurarsi SEMPRE che la spa sia spenta. Se si lascia la corrente accesa e qualcosa viene aspirato nella pompa o nel riscaldatore, causandone il guasto, il guasto non sarà coperto dalla garanzia.

Prestazioni e copertura della garanzia

La nostra azienda offre una garanzia limitata di 2 anni che copre difetti di fabbricazione e guasti direttamente attribuibili alla progettazione, ai materiali o alla lavorazione del prodotto. Questa garanzia si applica solo ai prodotti utilizzati esclusivamente per scopi privati, personali e non commerciali.

Tutte le riparazioni o sostituzioni non estendono né rinnovano il periodo di garanzia originale. Questa è una garanzia limitata ai soli componenti, salvo diversa indicazione scritta. Per qualsiasi richiesta di garanzia relativa a danni causati dal trasporto, i danni devono essere segnalati entro 24 ore dalla consegna, allegando la documentazione e le foto appropriate, e riconosciuti dal corriere. Qualsiasi tentativo di riparazione non autorizzato o il mancato rispetto della procedura descritta può invalidare la garanzia.

I seguenti articoli sono espressamente esclusi da qualsiasi copertura di garanzia:

- Eventuali danni derivanti da un uso improprio o da una manutenzione non conforme alle istruzioni del manuale d'uso.
- Danni causati da qualsiasi fattore umano.
- Qualsiasi modifica al prodotto senza l'autorizzazione del produttore.

134

136

- Danni o scolorimento della superficie del guscio dovuti a detersivi corrosivi o inadeguati.
- Danni derivanti da trasporto o stoccaggio impropri.
- Danni dovuti a calamità naturali.
- Scolorimento naturale del colore.

Garanzia limitata: Il produttore si riserva il diritto di fornire spiegazioni definitive.

Nota sulla dichiarazione speciale: La garanzia limitata decorre dalla data di sostanziale completamento della produzione da parte del produttore.

Dichiarazione di prestazione

1. Codice identificativo univoco del tipo di prodotto:
Numero del prodotto (vedi fondo pagina)
2. Destinazione d'uso:
Whirlpool SPA per uso domestico, per scopi di benessere/igiene personale
3. Importatore:
Acquista GmbH
Haldenstrasse 5
6340 Baar
Svizzera
Telefono +41 43 5082233
4. Rappresentante autorizzato: %
5. Sistema di valutazione e verifica della costanza della prestazione: Sistema 1
 - a. Norme armonizzate:
EN55014-1:2006/A1:2009/A2:2011
EN55014-2:2015 EN61000-3-12:2011
EN61000-3-11:2000
La direttiva EMC (2014/30/UE)
EN60335-2-60:2003+A1:2005+A2:2008+A11:2010+A12:2010
EN60335-1:2012+AC:2014+A11:2014
EN62233:2008
Direttiva Bassa Tensione (2014/35/UE)
 - b. Documento di valutazione europeo: %
Valutazione tecnica europea: %
Organismo di valutazione tecnica: %
Organismo notificato: %
6. Prestazioni dichiarate:

Caratteristiche essenziali	Prestazione	Specifiche tecniche armonizzate

137

Sicurezza dell'utente	Conforme	EN 60335-2
Funzionamento (normale e anomalo)	Conforme	EN 60335-1 EN 62233
Direttiva Bassa Tensione	Compiacente	
Compatibilità elettromagnetica (EMC)	Conforme	EN 55014-1 EN 55014-2 EN 61000-3-12 EN 61000-3-11

7. Documentazione tecnica appropriata o documentazione tecnica specifica:
Rapporto n.: 60445226 001 TÜV Rheinland
Rapporto n.: 60445226 001 TÜV Rheinland

Le prestazioni del prodotto sopra menzionato sono conformi alle prestazioni dichiarate. L'importatore sopra indicato è l'unico responsabile della redazione della Dichiarazione di Prestazione ai sensi del Regolamento (UE) n. 305/2011.

Appendice

Numero articolo	Tipo di articolo
37979 (E-351S) QUINTO	Vasca idromassaggio SPA
37981 (M-530D) VILLARRICA	Vasca idromassaggio SPA
37983 (E-310S) AVORIO	Vasca idromassaggio SPA

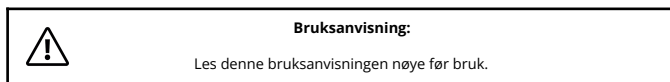
Firmato per conto dell'importatore da:
Michael Widmer, Direttore Generale



6340 Baar, 20.05.2024

138

Norsk (NO)



Med riktig forberedelse og vedlikehold vil spaet gi deg mange års glede og avslapning. Denne bruksanvisningen er utformet for å gi deg all nødvendig informasjon om forberedelse, installasjon, vedlikehold og bruk av det nye spaet ditt. Ta deg tid til å lese hele bruksanvisningen for å sikre at spaet brukes riktig og trygt.

Hovedfunksjon og produktegenskaper:

- **Hydroterapi-funksjon:** Spabadet er utstyrt med spesielle hydroterapiseter, ergonomisk utformet for å støtte kroppen. Juster massasjetrykket ved å endre massasjeinnstillingene, vannavlederen og luftregulatoren.
- **Luftblåseterapi-funksjon:** Aktiver luftblåseren for å slippe ut et stort volum luftbobler gjennom spesialdesignede luftdyser, og skape en boblende massasjeopplevelse som både er terapeutisk og morsom.
- **Oppvarmingsfunksjon:** Spabadet varmer opp vannet og lar brukerne stille inn ønsket temperatur. Oppvarmingssystemet holder denne temperaturen, slik at spabadet kan brukes hele året.
- **Filter- og sirkulasjonsfunksjon:** Spabadet har et filteringsystem med integrert filter og ozonsterilisering. Mens det filtrerer bort urenheter, kjører systemet automatisk filtersyklusen for å eliminere bakterier ved hjelp av ozon generert av ozonenheten.
- **Belysning:** LED-belysning under vann forbedrer spabadets atmosfære. Belysningssystemet styres via panelet og lyser ikke bare opp vannet, men skaper også en romantisk og beroligende stemning.

Viktig erklæring: Alle funksjonene nevnt ovenfor er generelle beskrivelser av våre spa-produkter. De spesifikke funksjonene til ditt spa kan variere. Vennligst bekreft detaljene før du foretar et kjøp. Produsenten forbeholder seg retten til å endre eller forbedre produktene uten forvarsel og uten å pådra seg noen forpliktelser.

139

Viktige anvisninger:

Det er viktig at du gjør deg kjent med generelle sikkerhets- og vannbehandlingsprosedyrer for boblebadet. Sørg for at du forstår følgende informasjon:

- **Dreneringsbehov:** Sørg for at spaet ikke installeres i et lavtliggende eller flomutsatt område, da dette kan føre til strømbrydd eller utgjøre en fare for brukerne av spaet.
- **Fare for elektrisk støt:** Som med alle elektriske apparater, er det fare for elektrisk støt. Maskinrommet, som ligger inne i skapet, inneholder kontrollenheten som styrer spaet. Dette rommet skal alltid holdes lukket. Hvis det kommer vann inn i motorrommet, må du slå av spaet ved strømforsyningen og sørge for at alle komponenter er helt tørre før du prøver å starte det på nytt.
- **Temperatur:** Hold spaets vanntemperatur under 40 °C. Høyere temperaturer kan belaste hjerte- og karsystemet. Hvis temperaturen overstiger 40 °C, må du gå ut av spaet og kontakte forhandleren umiddelbart. Det anbefales at vanntemperaturen ikke overstiger normal kroppstemperatur (ca. 37,5 °C).
- **Medisinske tilstander:**
 - Personer med diabetes, høyt blodtrykk, hjertesykdommer eller andre kardiovaskulære problemer bør rådføre seg med lege før bruk av spaet.
 - For å redusere forurensetning og helsesisiko, bør man dusje med såpe og vann før man går inn i spaet.
 - Personer med åpne sår eller infeksjoner bør ikke bruke spaet.
 - Varmt vann kan være et ideelt miljø for bakterier, spesielt hvis desinfeksjonsnivået ikke opprettholdes på riktig måte.
 - Gravide kvinner bør alltid rådføre seg med lege før bruk av spa.
- **Badetid og avkjølingstid:** Begrens badetiden i spaet til 15–20 minutter av gangen. Noen spa har et avkjølingssete. Hvis du begynner å føle deg for varm, kan du sette deg på avkjølingssetet og la kroppen kjøle seg ned. Når du føler deg komfortabel, kan du sakte gå tilbake i vannet. Å sitte i et spa med brystet over vannlinjen bidrar til å redusere tiden det tar å kjøle seg ned. Unngå langvarig eksponering for vann over normal kroppstemperatur, da dette kan være farlig.
- **Alkoholbruk og medisiner:** Det er svært utrygt å konsumere alkohol i eller i nærheten av spaet. Bruk aldri glassbeholdere i nærheten av spaet. Alkohol øker risikoen for drukning. Alle som tar medisiner, bør konsultere legen sin før de går inn i spaet.
- **Barnesikkerhet:** Barn bør ikke bruke spaet uten tilsyn.
- **Skilforebygging:** Vær alltid forsiktig når du går inn og ut av boblebadet, da våte eller ujevne overflater kan være glatte. Bruk rekkverk og skliskre overflater for å redusere risikoen for fallskader. I noen tilfeller kan det være nødvendig å installere en trapp for å gjøre det lettere å gå inn og ut.
- **Elektriske apparater:** Plasser aldri elektriske apparater nærmere enn 2 meter fra spaet.

140

- **Værforhold:** Ikke bruk eller betjen boblebadet under ekstreme værforhold, som tordenvær, sykkloner eller elektriske stormer.
- **Ventilasjon:** Hvis spaområdet ikke er godt ventilert, kan brukerne oppleve irritasjon i halsen. Sørg for at boblebadet er installert i et godt ventilert område, spesielt hvis det er innendørs.
- **Kjemikalier:** Kjemikalier er avgjørende for å holde vannet rent, forhindre bakterievekst og forlenge levetiden til spaet og dets komponenter. Når de brukes i konsentrert form (for eksempel visse husholdningskjemikalier), kan de imidlertid være farlige. Hånder alltid spa-kjemikalier med forsiktighet og følg sikkerhetsveiledningen. Se produktets etikett og sikkerhetsdokumentasjon. Mer detaljert informasjon om sikker bruk av kjemikalier finnes i avsnittet om kjemikaliehåndtering.

Spa-installasjon

La en kvalifisert fagperson installere boblebadet. Produsenten er ikke ansvarlig for skader som skyldes feil installasjon eller arbeid utført av ukvalifiserte personer.

Plassering og beliggenhet av spabadet

- Spabadet bør plasseres slik at det er lett tilgjengelig for service og vedlikehold. Det meste av utstyret er plassert foran på spabadet og må være tilgjengelig for strømtilkobling og service.
- Det anbefales å ha minst 1,2 meter fri plass rundt alle fire sider av spabadet for fremtidig tilgang.
- Eieren er ansvarlig for å sikre at installasjonen er fullført på riktig måte før bruk.
- Alt bærbart spa-utstyr krever ventilasjon. Ikke blokker ventilene i skapet.
- Plasser spabadet vekk fra trær for å forhindre at blader blokkerer filteret.

Viktig informasjon:

Ikke la spaet stå i direkte sollys i lengre perioder. Dette kan medføre at garantien blir ugyldig. Spaet har isolasjon over skallet og rørsystemet. Hvis det utsettes for direkte sollys, kan overflatetemperaturen stige til opptil 200 °C, noe som kan skade spaet.

Det anbefales å alltid bruke hardt deksel når badet ikke er i bruk, og å plassere spabadet på et sted som er beskyttet mot ekstremt og hardt vær. Hvis det står uten deksel og utsatt for vær og vind, kan garantien på boblebadet og tilbehøret bli ugyldig.

Plasseringskrav

- Før installasjon anbefales det å rådføre seg med en fagperson for å bekrefte riktig plassering av spaet.

141

Fylling av SPA

1. Før du fyller spaet, må du kontrollere og stramme alle strømførende kontakter, da disse kan ha løsnet under transporten.
2. Kontroller og sørg for at alle tilbakeslagsventiler er i åpen posisjon.
3. Kontroller at dreneringsventilen er stengt.
4. Sørg for at alle dysene er i åpen posisjon. Drei med klokken for å åpne dysene.
5. Fyll spaet med vann. Fyll gjennom filteret for å unngå luftblokkeringer i pumpene.
6. Fyll på vann til det når ønsket vannivå.

Merk: For å unngå skade på komponenter, må du IKKE fylle spaet med varmt vann over 40 °C.

Tømming av spabadet

Hvis du bruker spabadet bare en eller to ganger i uken, trenger du ikke å tømme det like ofte som de som bruker det tre eller flere ganger i uken. Det anbefales derfor å tømme spabadet minst hver tredje måned.

Dreneringsventilen er plassert foran på bunnen. Dreneringsinstruksjoner er som følger:

1. Ta av dekselet på dreneringsventilen ved å vri det mot klokken.
2. Koble slangen til dreneringsventilen (slangediameter: ¾" eller 19,04 mm)
3. Trekk ut og skru løs til vannet begynner å renne.

Merk: Sørg for at strømmen er slått av før du tømmer. Skader forårsaket av tørrgang dekkes ikke av garantien.

Instruksjoner for SPA-kontrollpanelet

For bruk av SPA-kontrollpanelet, se brukerhåndboken for kontrollsystemet og hurtigveiledningen.

Stråleinstruksjon

Strålene er de viktigste komponentene som står for massasjen. Du kan justere vannstrømmen ved å dreie strålehodet.

- Drei stråledekselet med klokken ca. 1/4 omdreining for å åpne strålene.
- Drei stråledekselet mot klokken ca. 1/4 omdreining for å lukke strålene.

Merk: Noen stråler og luftstråler kan ikke justeres. Ikke vri disse strålene for hardt, da dette kan forårsake skade.

- Unngå å plassere badet på steder hvor vann kan strømme inn i det elektriske utstyrsrommet. Sørg også for at det er beskyttet mot direkte kontakt med svært fuktige områder.
- Plasser spabadet horisontalt, og sørg for at hele bunnen av enheten står på en jevn, flat og vannrett overflate som kan bære vekten når det er fullt av vann, pluss vekten av de badende (krever 1000 kg vektkapasitet).
- Boblebadet må ikke plasseres på en buet, myk, sandete overflate eller blokker.

Elektrisk installasjon

- Strømforsyningen til det nye spabadet må være på en egen krets uten andre apparater eller stikkontakter som benytter samme strømkilde. Skader forårsaket av feil strømstyrke dekkes IKKE av garantien. Kontakt en kvalifisert elektriker for tilkobling av strøm.
- Sørg for at det nye spabadet er riktig jordet. Hovedstrømforsyningen må inkludere en høysensitiv jordfeilbryter (RCD). Det anbefales å bruke en 30 mA lekkasjes beskyttelse.

Velg en passende ledningsstørrelse:

Effekt (KW)	2.1	2.5	2.8	3.2	3.5	4.4	5.3	6.2	7.0	7.9	8.8
Produkta vstand											
6 - 11 meter	2.5	2.5	2.5	2.5	4	4	6	10	10	10	10
11 - 15 meter	2.5	2.5	2.5	4	4	4	6	6	10	10	10
15 - 20 meter	4	4	4	4	6	6	10	10	10	16	16

Vedlikehold av spa

Å eie et spabadet er hyggelig, avslappende og terapeutisk, men det er viktig å vedlikeholde investeringen din for å sikre at den forblir kostnadseffektiv og i god stand – og unngå unødvendige, for tidlige reparasjonskostnader. Nedenfor finner du en enkel trinnvis veiledning du kan følge.

142

Instruksjon for luftstrålekontroller

- Luftkontrollene påvirker trykket i strålene ved å tilføre luft. Det kan være mer enn én luftkontroll på spaet, og hver av dem er knyttet til en bestemt gruppe stråler. Når du åpner en luftkontroll, suges det mer luft inn i vannstrømmen.
- Når luftkontrollen dreies med klokken, reduseres kraften i massasjestrålene.
- Når den dreies mot klokken, øker kraften til massasjedysene.

Merk: For bedre varmeeffektivitet, vennligst slå av luftkontrollene. Luftblåseren kan kjøle ned spaets vanntemperatur.

Instruksjoner for vannavleder

Vannavlederen er den delen som justerer massasjekraften. Ved å rotere vannavlederen kan du kontrollere vannstrømmen mellom dysene. Ved å vri på den kan du justere massasjekraften til forskjellige dysegrupper.

SPA-VANNBEHANDLING OG VEDLIKEHOLD

Vær oppmerksom på at disse instruksjonene er ment som en generell veiledning for å opprettholde vannkvaliteten i boblebadet. Før du gjør noe, bør du rådføre deg med din lokale boblebadspesialist om riktig mengde desinfeksjonsmiddel og egnede prosedyrer basert på kapasiteten til spabadet ditt.

- Du bør aldri bruke kjemikalier av dårlig kvalitet eller utstyr som ikke er kompatibelt, da dette kan føre til skader.
- Kjemikalier dekkes ikke av garantien.
- Få vannet testet av en fagperson minst en gang i måneden. Det anbefales også at brukeren tester vannet ukentlig. Når du tilsetter kjemikalier, bland dem i vannet i 20–30 minutter og sørg for at alle stoffene er fullstendig oppløst.

Effekten og reguleringen av pH

- Lav pH (under 7,2) fører til at desinfeksjonsmidler fungerer dårlig, øker korrosjonsrisikoen for overflater og komponenter og kan forårsake irritasjon av hud og øyne.
- Hvis pH er høy (over 7,6), mister klorbaserte desinfeksjonsmidler sin effektivitet, vannet kan bli grumset, og det kan oppstå avleiringer på spa-overflater og varmelementer.

MERK! pH-verdien måler vannets surhetsgrad/alkalinitet:

- Alkalinitet: Verdier over 7 er alkaliske, verdier under 7 er sure.

143

144

- En pH-verdi mellom 7,2 og 7,6 anbefales.

ADVARSEL: Sørg for at riktig pH-verdi opprettholdes. Skader forårsaket av feil pH-verdi dekkes ikke av SPA-garantien.

pH-regulering

- Kontrollerer pH-verdien i spa-vannet daglig ved hjelp av pH-testeren (ikke medfølgende). Hvis pH-verdien ligger utenfor det anbefalte området, må du ikke bruke spaet. Vent i to timer og test på nytt.
- Hvis pH-verdien fortsatt er unormal, la pumpen gå i 2 timer til og sjekk på nytt.
- Hvis den fortsatt er unormal: Ta av spa-dekselet og test på nytt etter å ha tilsatt riktig pH- eller alkalinitet/forsuring (bruk kun som anbefalt). Bland godt, og test på nytt etter 20 minutter.

Vanndesinfeksjon

- Desinfeksjon er viktig for å ødelegge alger, bakterier og andre patogener i vannet. Overdreven bruk av desinfeksjonsmiddel kan imidlertid føre til irritasjon av hud og øyne.
- **Bromidtabletter:** Trygge og egnet for bruk. Legg dem i forfilteret, hvor de løses opp gradvis.
- Kontroller restnivået av bromid daglig med et testsett. Ideelt nivå: 2,2–3,3 ppm

Desinfeksjon med ozon

- Ozon (O₃) er et kraftig og luktfritt desinfeksjonsmiddel.
- De fleste boblebad er utstyrt med 1–2 ozongeneratorer.
- Systemet injiserer automatisk ozon i boblebadvannet via dysene.
- Ozon bør slippes ut en gang om dagen. Anbefalt ozondesinfeksjon er en gang daglig, i 1–2 timer.
- Ozongeneratorens levetid avhenger av bruken og bør kontrolleres regelmessig.

Fjerning og montering av filter

Demontering av patron og filter:

- Åpne patrondekslet på oversiden.
- Fjern filterdekslet, og vri mot klokken for å fjerne papirfilteret.
- For å montere patronfilteret, gjør du disse trinnene i omvendt rekkefølge.

Fjerne de doble frontfiltrere:

- Løft frontpanelet og trekk skjermen ut til siden.
- Drei mot klokken for å fjerne papirfilteret.
- For å installere de doble frontfiltrere, gjør du disse trinnene i omvendt rekkefølge.

Fjerne det store filteret med fronttilgang:

- Fjern toppdekslet.
- Drei mot klokken for å fjerne papirfilteret.
- For å installere filteret med fronttilgang, gjør du disse trinnene i omvendt rekkefølge.

Når boblebadet ikke er i bruk

Hvis du skal være borte i mer enn to måneder, anbefales det at du slår av boblebadet og tømmer det. Det er viktig å huske å la dekket være på selv når det er tomt, for å beskytte badekaret. Hvis du skal være borte i noen dager eller uker, må du ikke slå av boblebadet helt. Skru ned temperaturen til 15 grader Celsius, slik at filtreringssyklusene fortsatt fungerer, men boblebadet ikke varmes opp.

- **3-5 dager:** Tilpass pH-verdien og vannbehandlingen (for detaljer, se avsnittet om vannvedlikehold), dekk spabadet. Juster pH-verdien og vannbehandlingen når du bruker spabadet igjen.
- **5-14 dager:** Sett den laveste temperaturen eller hvilemodus. Tilpass pH-verdien og vannbehandlingen (for detaljer, se avsnittet om vannvedlikehold), dekk spabadet. Juster pH-verdien og vannbehandlingen når du bruker spabadet igjen.
- **Mer enn 15 dager:** Slå av strømmen, åpne avløpsventilen og tøm spabadet helt. Fjern filteret, hold massasjebadet tørt og dekk til spabadet.

Feilsøking

Symptom	Mulige årsaker	Løsning
Feilkode vises på LCD-skjermen, og spabadet slutter å fungere	Kontrollsystemet har en digital diagnostikkfunksjon som slutter å fungere hvis det er noe galt i spaet, og den starter på nytt når feilen er løst	Sjekk feilkode i bruksanvisningen til kontrollsystemet, og kontakt deretter din lokale produsent for å få utført vedlikehold
Spa kan ikke startes i noen modus	Strømmen er slått av	Kontroller om strømbryteren eller kontakten er slått på
	Kontrollpanelet er låst	Kontroller om kontrollpanelet er låst, og lås

145

146

		det opp om nødvendig
	Feil i elektrisk styring (displayet viser feilmelding)	Sjekk feilkoden i bruksanvisningen, og kontakt deretter forhandleren for å utføre vedlikeholdet
Spa åpnes automatisk	Filtreringsfunksjonen er aktivert	Dette er bare en automatisk funksjon i systemet; det kreves ingen vedlikehold. Systemet slutter automatisk å kjøre når funksjonen er fullført. Ingen brukerhandling er nødvendig
	Oppvarmingsfunksjonen er aktivert	
	Antifrysefunksjonen er aktivert	
Vannpumpen slås automatisk av når du bruker spaet	Pumpens driftstid er lengre enn systemets standard maksimale driftstid	Trykk på pumpeknappen for å starte pumpen på nytt. La pumpen gå
	Pumpemotoren er i beskyttelsesmodus mot overoppheting	Stopp pumpen som har vært i drift i mer enn 1 time, til den er avkjølt, og start deretter pumpen
Spabadet slås på etter at det er fylt opp med vann, og deretter slås også vannpumpene på, men det kommer ikke vann ut av dysene	Dysene er lukket	Sjekk om dysene er lukket; hvis ikke, åpne dem
	Vannpumpen suger inn luft	Prøv flere ganger å starte vannpumpene. Hvis det fortsatt ikke fungerer, åpner du lokket på vannpumpen for å slippe ut luften, og skrur det deretter godt igjen. I mellomtiden fyller du vann gjennom filteret for å forhindre at vannpumpen suger inn luft
Boblebadet varmes opp for sakte	Lav temperaturinnstilling	Still inn temperaturen på nytt
	Filterelementet er skittent	Rengjøring eller utskifting av filter
	Ingen deksel på spaet, noe som fører til varmetap	Sett lokket på spaet når det ikke er i bruk

	Dysen som er koblet til sirkulasjonspumpen er lukket	Åpne dysene
	Varmeelementet er ødelagt	Kontakt din lokale forhandler for å utføre vedlikeholdet
Massasjestykken til dysene er liten	Dysene er ikke helt åpne	Åpne dysene
	Dysene er blokkerte	Drei dysedekselet mot klokken til det slutter, og vri det deretter mot klokken for å skru dysene ut. Kontroller om det er fremmedlegemer inne i dysene
	Luftventilen er slått av	Åpne luftventilbryteren
	Vannventilen er lukket, slik at vannet ikke kommer ut av dysene	Roter ventiler, reguler vannstrålene
	Vannpumpens reguleringsventil er ikke helt åpen	Kontroller om vannpumpens ventil er helt åpen
Vannstrålen fra dysen er noen ganger sterk, andre ganger svak.	Sugene eller filteret er tette. Vannpumpens reguleringsventil er ikke helt åpen	Kontroller om det er fremmedlegemer i suget eller filteret, og fjern dem. Kontroller om begge vannpumpens ventiler er helt åpne

Bruk av andre spesielle kjemiske produkter

I tillegg til pH-justering og de ovennevnte desinfeksjonsmetodene, finnes det noen rengjøringsprodukter som kan brukes i spa-vann:

- **ANTI-KALK:** Kan brukes til å forhindre/reducere utfelling av kalsiumsalter (kalk), spesielt i områder med hardt vann. Bruk den en gang i uken og hver gang vannet skiftes ut.
- **SPA ALGEDREPENDE MIDDEL:** Hindrer alger i å vokse i vannet. Bruk det en gang i uken og hver gang vannet skiftes ut.

147

148

- **ANTISKUM:** Forhindrer skumdannelse i vannet. Brukes en gang i uken og hver gang vannet skiftes ut.

ADVARSEL

Tilsett nøyaktig angitte mengder i vannet. Ikke bland produkter for å unngå mulige reaksjoner. Ikke røyk mens du håndterer disse produktene – de kan være brannfarlige. Ikke tilsett kjemiske produkter i vannet hvis det er noen i boblebadet. Oppbevar beholderne tett lukket på tørre, godt ventilerte steder, og hold disse produktene unna barn. Ikke inhaler kjemiske produkter, og pass på at de ikke kommer i kontakt med øynene, nesen eller munnen. Vask hendene etter bruk. Følg nødinstruksjonene på produktetiketten i tilfelle ulykke eller svelging.

Rengjøring og vedlikehold av spa

Å eie et spa er avslappende og terapeutisk, men det er enda viktigere å ta godt vare på det for å holde det i god stand, slik at man unngår unødvendige reparasjonskostnader. Nedenfor finner du en enkel trinnvis fremgangsmåte du kan følge.

Rengjøring og vedlikehold av spaets overflate

Spaets overflate er laget av høyglanset akryl. Den bør holdes ren. Vi anbefaler å rengjøre spaets utvendige overflate en gang i uken og rengjøre hele spaet etter tømning. Detaljerte trinn som følger:

- Rengjør smuss med et vått håndkle. Vi kan bruke et nøytralt vaskemiddel og et mykt håndkle. Ikke bruk vaskemidler som inneholder keton eller klorvann.
- Hvis overflaten har noen lette riper, kan du polere den med sandpapir med kornstørrelse 2000 og pusse den opp med tannkrem, og deretter polere den på nytt med et mykt håndkle.
- Ikke rengjør spa-overflaten med kjemiske løsninger/løsemidler eller slipende verktøy. Ikke rip spa-overflaten med harde materialer eller en kniv.
- Ikke rengjør spa-overflaten med neglelakk, neglelakkfjerner, rensevæske, aceton, malingsfjerner osv., da dette vil skade overflaten.
- Ingen sigarettstumper eller varmekilder over 70 °C skal komme i kontakt med spaet.

Vedlikehold av kontrollpanelet

- Ikke berør kontrollpanelet med harde gjenstander for å unngå riper.
- Unngå direkte sollys på kontrollpanelet.
- Hold kontrollpanelet tørt når spaet ikke er i bruk.

Vedlikehold av puter

- Rengjør puten med et nøytralt vaskemiddel.
- Overdreven bruk av klorholdige vaskemidler og ozon vil føre til at puten blekner. Fjern puten etter bruk av spaet. Vær forsiktig, da den ikke dekkes av garantien.

Vedlikehold av spa-deksel

- Rengjør dekslet med såpevann. Pass på at såpevannet ikke kommer inn i spaet.
- Ikke ta tak i eller trekk i lenken i midten av dekslet, da den lett kan gå i stykker.
- Ikke sitt, ligg eller hopp på dekslet. Skader forårsaket av dette dekkes kanskje ikke av garantien.

Merk: Dekk til spaet etter bruk eller rengjøring. Hvis spaet står uten deksel og er utsatt for vær og vind, kan garantien på spaet og tilbehøret bli ugyldig.

Vedlikehold av filter

Du bør rengjøre filterne regelmessig. En gang i uken bør du fjerne filterne og spyle bort smuss med en høytrykksspyler. En gang i måneden bør du legge filterne i bløt i en rengjøringsløsning for patronfilter og deretter spyle dem med en høytrykksspyler.

Rengjøring av filter

1. Slå av strømmen.
2. Fjern patronen. Les instruksjonene for fjerning av filteret før du gjør dette.
3. Fjern filteret fra patronen ved å vri det mot klokken.
4. Rengjør patronen med vann til det ikke er rester igjen.
5. Sprøyt filteret med vann fra topp til bunn i en vinkel på 45° (se bildene til høyre).
6. Sett inn filteret og patronen etter rengjøring.
7. Slå på strømmen.

Advarsel: Når du fjerner filterne, må du ALLTID sørge for at strømmen til spaet er slått av før du gjør det. Hvis du lar strømmen være på og noe blir sugd inn i pumpen eller varmeapparatet og forårsaker feil, dekkes ikke feilen av garantien.

Garantibetingelser og dekning

Vårt selskap gir en begrenset 2-års garanti som dekker produksjonsfeil og mangler som kan tilskrives produktets design, materialer eller utførelse. Denne garantien gjelder kun for produkter som brukes utelukkende til private, personlige og ikke-kommersielle formål.

Reparasjoner eller utskiftninger forlenger eller fornyer ikke den opprinnelige garantiperioden. Dette er en garanti som kun gjelder deler, med mindre annet er angitt skriftlig. For

149

150

garantikrav relatert til transportskader må skadene rapporteres innen 24 timer etter levering, med riktig dokumentasjon og bilder, og bekrefte av leverings sjåføren. Uautoriserte reparasjonsforsøk eller manglende overholdelse av den angitte prosessen kan ugyldiggjøre garantien.

Følgende elementer er spesifikt unntatt fra enhver garantidekning:

- Skader som skyldes feil bruk eller vedlikehold som ikke er i samsvar med brukerhåndboken.
- Skader forårsaket av menneskelige faktorer.
- Endringer av produktet uten produsentens tillatelse.
- Skader eller misfarging av overflaten på skallet på grunn av etsende eller uegnede rengjøringsmidler.
- Skader som skyldes feil transport eller lagring.
- Skader som skyldes force majeure.
- Naturlig falming av farger.

Begrenset garanti: Produsenten forbeholder seg retten til endelig forklaring.

Spesiell erklæring: Den begrensede garantien gjelder fra produsentens produksjonsdato for vesentlig ferdigstilling.

Ytelseserklæring

1. Unik identifikasjonskode for produkttypen:
2. Produktnummer (se nederst på siden)
3. Tilsiktet bruk:
4. Boblebad SPA for husholdningsbruk, til velvære/personlig hygiene
5. Importør:
Beliani GmbH
Haldenstrasse 5
6340 Baar
Sveits
Tlf. +41 43 5082233
6. Autorisert representant: %
7. System for vurdering og verifisering av ytelsens konstanter: System 1
 - a. Harmoniserte standarder:
EN55014-1:2006/+A1:2009/+A2:2011
EN55014-2:2015 EN61000-3-12:2011
EN61000-3-11:2000
EMC-direktivet (2014/30/EU)
EN60335-2-60:2003+A1:2005+A2:2008+A11:2010+A12:2010
EN60335-1:2012+AC:2014+A11:2014

EN62233:2008

Direktivet om lavspenning (2014/35/EU)

b. Europeisk vurderingsdokument: %

Europeisk teknisk vurdering: %

Teknisk vurderingsorgan: %

Notifisert organ: %

Deklarerte ytelser:

Viktige egenskaper	Ytelse	Harmonisert teknisk spesifikasjon
Brukersikkerhet	Kompatibel	EN 60335-2
Drift (normal og unormal)	Kompatibel	EN 60335-1
Lavspenningsdirektivet	Kompatibel	EN 62233
Elektromagnetisk kompatibilitet (EMC)	Kompatibel	EN 55014-1
		EN 55014-2
		EN 61000-3-12 EN 61000-3-11

8. Relevant teknisk dokumentasjon eller spesifikk teknisk dokumentasjon:

Rapport nr: 60445226 001 TÜV Rheinland

Rapport nr: 60445226 001 TÜV Rheinland

Ytelsen til det ovennevnte produktet er i samsvar med den deklarerde ytelsen. Importøren nevnt ovenfor er alene ansvarlig for utarbeidelsen av ytelseserklæringen i samsvar med forordning (EU) nr. 305/2011.

151

152

Vedlegg

Artikelnummer	Artikkeltype
37979 (E-351S) CALIMA	Boblebad SPA
37981 (M-530D) VILLARRICA	Boblebad SPA
37983 (E-310S) MARFIL	Boblebad SPA

Signert for og på vegne av importøren av:
Michael Widmer, administrerende direktør

6340 Baar, 20.05.2024

Polski (PL)



Instrukcja użytkownika:

Przed użyciem należy uważnie przeczytać instrukcję obsługi.

Przy prawidłowym przygotowaniu i pielęgnacji, Twoje SPA zapewni Ci wiele lat przyjemności i relaksu. Niniejsza instrukcja zawiera wszystkie niezbędne informacje dotyczące przygotowania, instalacji, pielęgnacji i obsługi Twojego nowego SPA. Prosimy o zapoznanie się z całą instrukcją, aby upewnić się, że Twoje SPA jest używane prawidłowo i bezpiecznie.

Główne funkcje i cechy produktu:

- **Funkcja hydroterapii:** SPA wyposażone jest w specjalne siedziska do hydroterapii, ergonomicznie zaprojektowane, aby wspierać ciało. Regulacja ciśnienia masażu odbywa się poprzez modyfikację ustawień masażu, przełącznika wody i regulatora powietrza.
- **Funkcja terapii dmuchawą powietrza:** Włącz dmuchawę powietrza, aby uwolnić dużą ilość pęcherzyków powietrza za pomocą specjalnie zaprojektowanych dysz powietrznych. W ten sposób uzyskasz relaksujący i przyjemny masaż.
- **Funkcja grzania:** SPA podgrzewa wodę i pozwala użytkownikom ustawić żądaną temperaturę. System ogrzewania utrzymuje tę temperaturę, zapewniając przyjemne działanie przez cały rok.
- **Funkcja filtrowania i cyrkulacji:** Wanny SPA wyposażone są w system filtracji ze zintegrowanym filtrem i sterylizacją ozonem. Podczas filtrowania zanieczyszczeń system automatycznie uruchamia cykl filtracji, aby wyeliminować bakterie za pomocą ozonu generowanego przez jednostkę ozonującą.
- **Oświetlenie:** Podwodne oświetlenie LED pozwala na wprowadzenie klimatycznego nastroju. Sterowane za pomocą panelu, oświetlenie nie tylko oświetla wodę, ale także tworzy romantyczny i kojący nastrój.

Ważne: Wszystkie wymienione powyżej funkcje stanowią ogólny opis naszych SPA. Specyficzne cechy Państwa SPA mogą się różnić. Prosimy o potwierdzenie szczegółów przed dokonaniem zakupu. Producent zastrzega sobie prawo do modyfikacji lub ulepszenia produktów bez uprzedniego powiadomienia i bez ponoszenia jakichkolwiek zobowiązań.

Ważne instrukcje

Zapoznanie się z ogólnymi procedurami bezpieczeństwa i uzdatniania wody w SPA jest niezbędne. Prosimy o zrozumienie przeczytanie poniższych informacji:

- **Wymagania dotyczące drenażu:** Upewnij się, że SPA nie zostanie zainstalowane na terenie niskim lub narażonym na powódzie, gdyż może to spowodować awarię sprzętu elektrycznego lub stworzyć zagrożenie dla użytkowników SPA.

153

154

- **Ryzyko porażenia prądem:** Podobnie jak w przypadku wszystkich urządzeń elektrycznych, istnieje ryzyko porażenia prądem. W maszynowni, znajdującej się w środku wanny, znajduje się jednostka sterująca, która obsługuje SPA. Obudowa ta powinna być zawsze zamknięta. Jeśli woda dostanie się do maszynowni, odłącz SPA od zasilania i upewnij się, że wszystkie elementy są całkowicie suche przed próbą ponownego uruchomienia.
- **Temperatura:** Utrzymuj temperaturę wody w jacuzzi nie wyższą niż 40°C. Wyższe temperatury mogą obciążać układ sercowo-naczyniowy. Jeśli temperatura przekroczy 40°C, wyjdź z jacuzzi i natychmiast skontaktuj się ze sprzedawcą. Zaleca się, aby temperatura wody nie przekraczała normalnej temperatury ciała (ok. 37,5°C).
- **Stany chorobowe:**
 - Osoby cierpiące na cukrzycę, nadciśnienie, choroby serca lub inne schorzenia układu sercowo-naczyniowego powinny skonsultować się z lekarzem przed skorzystaniem ze SPA.
 - Aby ograniczyć ryzyko zanieczyszczenia i zagrożenia dla zdrowia, przed wejściem do SPA należy wziąć prysznic, używając mydła i wody.
 - Osoby z otwartymi ranami lub jakąkolwiek infekcją nie powinny korzystać ze SPA.
 - Gorąca woda może być idealnym środowiskiem dla bakterii, szczególnie jeśli poziom środków dezynfekujących nie jest odpowiednio utrzymywany.
 - Kobiety w ciąży powinny zawsze skonsultować się z lekarzem przed skorzystaniem ze SPA.
- **Czas namaczania i chłodzenia:** Ogranicz czas trwania sesji w SPA do 15–20 minut. Niektóre produkty wyposażone są w siedzisko chłodzące. Jeśli poczujesz się zbyt gorąco, usiądź na siedzisku chłodzącym i pozwól ciału ostygnąć. Gdy poczujesz się komfortowo, możesz powoli wrócić do wody. Siedzenie w SPA z kłatką piersiową powyżej linii wody pomaga skrócić czas potrzebny na ochłodzenie. Unikaj długotrwałego przebywania w wodzie o temperaturze przekraczającej normalną temperaturę ciała, ponieważ może to być niebezpieczne.
- **Spożywanie alkoholu i leków:** Spożywanie alkoholu w SPA lub w jego pobliżu jest wysoce niebezpieczne. Nigdy nie używaj szklanych pojemników w pobliżu SPA. Alkohol zwiększa ryzyko utonięcia. Osoby przyjmujące leki powinny skonsultować się z lekarzem przed wejściem do SPA.
- **Bezpieczeństwo dzieci:** Dzieci nie powinny korzystać ze SPA bez nadzoru.
- **Zapobieganie poślizgom:** Zawsze zachowaj ostrożność, wchodząc i wychodząc z jacuzzi, ponieważ mokre lub nierówne powierzchnie mogą być śliskie. Używaj poręczy i powierzchni antypoślizgowych, aby zmniejszyć ryzyko upadku. W niektórych przypadkach konieczne może być skorzystanie ze schodów, aby ułatwić wchodzenie i wychodzenie.
- **Urządzenia elektryczne:** Nigdy nie umieszczaj żadnych urządzeń elektrycznych w odległości mniejszej niż 2 metry od jacuzzi.

- **Warunki pogodowe:** Nie należy używać ani obsługiwać SPA podczas ekstremalnych warunków pogodowych, takich jak burze, cyklony lub burze z wyładowaniami atmosferycznymi.
- **Wentylacja:** Jeśli strefa SPA nie jest odpowiednio wentylowana, użytkownicy mogą odczuwać podrażnienie gardła. Upewnij się, że basen spa jest zainstalowany w dobrze wentylowanym pomieszczeniu, zwłaszcza jeśli jest zamknięty.
- **Chemikalia:** Chemikalia są niezbędne do utrzymania czystej wody, zapobiegania rozwojowi bakterii i przedłużania żywotności jacuzzi i jego podzespołów. Jednak w skoncentrowanej postaci (np. w przypadku niektórych chemikaliów domowych) mogą być niebezpieczne. Zawsze należy obchodzić się z chemikaliami w jacuzzi ostrożnie i przestrzegać zasad bezpieczeństwa. Należy zapoznać się z etykietą produktu i dokumentacją dotyczącą bezpieczeństwa. Szczegółowe informacje na temat bezpiecznego stosowania chemikaliów znajdują się w sekcji „Zarządzanie chemikaliami”.

Instalacja SPA

Zawsze korzystaj z usług wykwalifikowanego fachowca przy instalacji SPA. Producent nie ponosi odpowiedzialności za szkody spowodowane nieprawidłową instalacją lub pracami wykonywanymi przez osoby nieuprawnione.

Lokalizacja i usytuowanie spa

- SPA powinno być ustawione w miejscu zapewniającym łatwy dostęp w celu serwisu i konserwacji. Większość urządzeń znajduje się z przodu SPA i musi być dostępna w celu podłączenia do zasilania i serwisowania.
- Zaleca się pozostawienie co najmniej 1,2 metra wolnej przestrzeni wokół wanny z hydromasażem z każdej strony, aby umożliwić dostęp w przyszłości.
- Właściciel jest odpowiedzialny za upewnienie się, że instalacja została wykonana prawidłowo przed rozpoczęciem korzystania z urządzenia.
- Wszystkie przenośne urządzenia SPA wymagają wentylacji. Nie należy blokować otworów wentylacyjnych w obudowie.
- Ustaw SPA z dala od drzew, aby liście nie blokowały filtra.

Ważna uwaga:

Nie pozostawiaj SPA w bezpośrednim świetle słonecznym przez dłuższy czas. Może to spowodować utratę gwarancji. SPA jest wyposażone w izolację niecki i rur. W przypadku wystawienia na bezpośrednie działanie promieni słonecznych temperatura powierzchni może wzrosnąć do 200°C, co może spowodować uszkodzenie produktu.

Zaleca się, aby zawsze używać twardego pokrowca, gdy SPA nie jest używane, oraz przechowywać je w miejscu chronionym przed ekstremalnymi i trudnymi warunkami pogodowymi. Pozostawienie SPA bez pokrowca może spowodować utratę gwarancji na SPA i jego akcesoria.

155

156

Wymagania dotyczące lokalizacji

- Przed instalacją zaleca się konsultację ze specjalistą w celu potwierdzenia właściwego miejsca ustawienia SPA.
- Unikaj umieszczania SPA w miejscu, w którym woda mogłaby przedostać się do komory urządzeń elektrycznych. Upewnij się również, że jest ono chronione przed bezpośrednim kontaktem z bardzo wilgotnymi miejscami.
- Ustaw jacuzzi poziomo, upewniając się, że cała podstawa urządzenia znajduje się na gładkiej, płaskiej i równej powierzchni, która będzie w stanie utrzymać ciężar całkowicie napełnionego wodą jacuzzi oraz wagę osób kąpiących się (wymagana nośność wynosi 1000 kg).
- SPA nie powinno być umieszczane na zakrzywionej, miękkiej, piaszczystej powierzchni ani na betonowych blokach.

Instalacja elektryczna

- Zasilanie elektryczne nowego SPA musi być podłączone do dedykowanego obwodu, bez innych urządzeń ani gniazdek współdzielących zasilanie. Uszkodzenia spowodowane nieprawidłowym natężeniem prądu NIE będą objęte gwarancją. W celu podłączenia elektrycznego należy skonsultować się z wykwalifikowanym elektrykiem.
- Upewnij się, że Twoje nowe SPA jest prawidłowo uziemione. Główne zasilanie musi być wyposażone w wyłącznik różnicowoprądowy (RCD) o wysokiej czułości. Zaleca się zastosowanie wyłącznika upływowego 30 mA.

Prosimy wybrać odpowiedni rozmiar okablowania:

Moc (kW)	2.1	2.5	2.8	3.2	3.5	4.4	5.3	6.2	7.0	7.9	8.8
Odległość produktu											
6 – 11 metrów	2,5	2,5	2,5	2,5	4	4	6	10	10	10	10
11 – 15 metrów	2,5	2,5	2,5	4	4	4	6	6	10	10	10
15 – 20 metrów	4	4	4	4	6	6	10	10	10	16	16

Konserwacja SPA

Posiadanie SPA jest przyjemne, relaksujące i terapeutyczne, ale ważne jest, aby dbać o swoją inwestycję, aby była ekonomiczna i w dobrym stanie – unikając niepotrzebnych, przedwczesnych kosztów naprawy. Poniżej znajduje się prosty przewodnik krok po kroku.

157

Dotatkowa informacja: Niektóre dysze i dysze powietrzne nie są regulowane. Nie obracaj ich na siłę, ponieważ może to spowodować ich uszkodzenie.

Instrukcja sterowania dyszami pneumatycznymi

- Regulatory powietrza wpływają na ciśnienie w dyszach poprzez dodawanie powietrza. W jacuzzi możesz mieć więcej niż jeden regulator powietrza, z których każdy będzie powiązany z określoną grupą dysz. Otwarcie regulatora powietrza spowoduje zasanie większej ilości powietrza do strumienia wody.
- Obrócenie regulatora powietrza zgodnie z ruchem wskazówek zegara spowoduje zmniejszenie mocy strumieni masujących.
- Obrót w kierunku przeciwnym do ruchu wskazówek zegara zwiększy moc strumieni masujących.

Notatka: Aby uzyskać lepszą wydajność ogrzewania, wyłącz sterowanie powietrzem. Dmuchawa powietrza może obniżyć temperaturę wody w jacuzzi.

Instrukcja obsługi rozdzielacza wody

Przepływomierz to element regulujący moc masażu. Obrót przepływomierza steruje przepływem wody między dyszami. Obrót umożliwia regulację mocy masażu poszczególnych grup dysz.

ZARZĄDZANIE WODĄ W SPA I KONSERWACJA

Należy pamiętać, że niniejsza instrukcja stanowi ogólny przewodnik dotyczący utrzymania jakości wody w spa. Przed podjęciem jakichkolwiek działań należy skonsultować się z lokalnym specjalistą ds. SPA, aby dowiedzieć się, jaka ilość środka dezynfekującego jest odpowiednia do użycia oraz jakie procedury są odpowiednie do pojemności SPA.

- Nigdy nie należy używać środków chemicznych niskiej jakości ani niekompatybilnego sprzętu, gdyż może to spowodować uszkodzenia.
- Chemikalia nie są objęte gwarancją.
- Należy zlecać badanie wody specjalistom co najmniej raz w miesiącu. Zaleca się również, aby użytkownik badał wodę co tydzień. Podczas dodawania chemikaliów, mieszaj wodę przez 20–30 minut i upewnij się, że wszystkie substancje są całkowicie rozpuszczone.

Wpływ i regulacja pH

- Niskie pH (poniżej 7,2) sprawia, że środki dezynfekujące nie działają prawidłowo, zwiększa ryzyko korozji powierzchni i podzespołów oraz może powodować podrażnienia skóry i oczu.

Napełnianie Twojego SPA

1. Przed napełnieniem jacuzzi należy sprawdzić i dokręcić wszystkie przyłącza elektryczne, gdyż podczas transportu mogą się poluzować.
2. Sprawdź i upewnij się, że wszystkie zawory zwrotne są w pozycji otwartej.
3. Sprawdź, czy zawór spustowy jest zamknięty.
4. Upewnij się, że wszystkie dysze są w pozycji otwartej. Obróć zgodnie z ruchem wskazówek zegara, aby otworzyć dysze.
5. Napełnij swoje SPA wodą. Napełniaj przez filtr, aby uniknąć zatorów powietrznych w pompach.
6. Napełnij wodą, aż osiągnie ona wymagany poziom.

Dotatkowa informacja: Aby uniknąć uszkodzenia podzespołów, NIE WOLNO napełniać SPA gorącą wodą o temperaturze powyżej 40°C.

Opróżnianie SPA

Jeśli korzystasz ze SPA tylko raz lub dwa razy w tygodniu, opróżnianie będzie rzadsze niż w przypadku osób korzystających z niego co najmniej trzy razy w tygodniu. Dlatego zaleca się opróżnianie SPA co najmniej raz na 3 miesiące.

Zawór spustowy znajduje się z przodu dolnej podstawy. Instrukcje dotyczące spustu są następujące:

1. Zdejmij pokrywę zaworu spustowego, obracając ją w kierunku przeciwnym do ruchu wskazówek zegara
2. Podłącz wąż do zaworu spustowego (średnica węża: ¾" lub 19,04 mm)
3. Wyciągnij i odkręć, aż woda zacznie płynąć

Dotatkowa informacja: Przed opróżnieniem upewnij się, że zasilanie jest wyłączone. Uszkodzenia spowodowane pracą na sucho nie są objęte gwarancją.

Instrukcja panelu sterowania SPA

Informacje na temat obsługi panelu sterowania SPA można znaleźć w instrukcji obsługi systemu sterowania oraz w skróconej instrukcji obsługi.

Instrukcja dyszy

Dysze to główne elementy odpowiedzialne za masaż. Przepływ wody można regulować poprzez obrót tarczy dyszy.

- Aby otworzyć dysze, należy przekręcić pokrywę dyszy zgodnie z ruchem wskazówek zegara o około 1/4 obrotu.
- Aby zamknąć dysze, należy przekręcić osłonę dyszy przeciwnie do ruchu wskazówek zegara o około 1/4 obrotu.

- Jeśli pH jest wysokie (powyżej 7,6), środki dezynfekujące na bazie chloru tracą skuteczność; woda może stać się mętna, a na powierzchniach spa i grzejnikach może gromadzić się kamień.

UWAGA! Poziom pH mierzy kwasowość/zasadowość wody:

- Zasadowość: Wartości powyżej 7 oznaczają odczyn zasadowy, poniżej 7 oznaczają odczyn kwaśny.
- Zalecany zakres pH wynosi od 7,2 do 7,6.

OSTRZEŻENIE: Upewnij się, że utrzymujesz prawidłowy poziom pH. Gwarancja SPA nie obejmuje uszkodzeń spowodowanych nieprawidłowym pH.

Regulacja pH

- Codziennie sprawdzaj pH wody w spa za pomocą testera pH (brak w zestawie). Jeśli pH wykracza poza zalecany zakres, nie używaj SPA. Oczekaj dwie godziny i powtórz test.
- Jeśli pH nadal jest nieprawidłowe, uruchom pompę na kolejne 2 godziny i sprawdź ponownie.
- Jeśli wynik nadal jest nieprawidłowy: Zdejmij pokrywę spa i przetestuj ponownie po dodaniu odpowiedniego środka chemicznego o odpowiednim pH lub zasadowości/zakwaszeniu (stosuj wyłącznie zgodnie z zaleceniami). Dobrze wymieszaj, a następnie przetestuj ponownie po 20 minutach.

Dezynfekacja wody

- Dezynfekcja jest niezbędna do zniszczenia glonów, bakterii i innych patogenów w wodzie. Jednak nadużywanie środków dezynfekujących może prowadzić do podrażnienia skóry/oczu.
- **Tabletki bromku:** Bezpieczny i odpowiedni do użycia. Umieść w filtrze wstępnym; rozpuszcza się stopniowo.
- Codziennie sprawdzaj poziom bromku resztkowego za pomocą zestawu testowego. Optymalny poziom: 2,2–3,3 ppm

Dezynfekacja ozonem

- Ozon (O₃) jest silnym i bezwonym środkiem dezynfekującym.
- Większość uzdrowisk jest wyposażona w 1–2 generatory ozonu.
- System automatycznie wtryskuje ozon do wody w spa za pomocą dysz.
- Ozon powinien być uwalniany raz dziennie. Zalecana dezynfekcja ozonem to jedna dezynfekcja dziennie przez 1–2 godziny.
- Żywotność generatora ozonu zależy od intensywności użytkowania i należy ją regularnie sprawdzać.

159

158

160

Wymowienie i montaż filtra

Wymowienie wkładu i filtra:

- Otwórz pokrywę wkładu od góry.
- Zdejmij pokrywę filtra i przekręć ją w kierunku przeciwnym do ruchu wskazówek zegara, aby wyjąć filtr papierowy.
- Aby zamontować filtr wkładowy, wykonaj powyższe czynności w odwrotnej kolejności.

Demontaż podwójnych filtrów dostępu z przodu:

- Podnieś panel przedni i pociągnij ekran na bok.
- Aby wyjąć filtr papierowy, przekręć go w kierunku przeciwnym do ruchu wskazówek zegara.
- Aby zamontować podwójne filtry z dostępem od przodu, należy wykonać te czynności w odwrotnej kolejności.

Wymowienie dużego filtra z przednim ogranicznikiem dostępu:

- Zdejmij górną pokrywę.
- Aby wyjąć filtr papierowy, przekręć go w kierunku przeciwnym do ruchu wskazówek zegara.
- Aby zamontować filtr z blokadą dostępu przedniego, wykonaj te czynności w odwrotnej kolejności.

Kiedy Twoje spa nie jest używane

Jeśli wyjeżdżasz na okres dłuższy niż 2 miesiące, zaleca się wyłączenie jacuzzi i opróżnienie go. Należy pamiętać o pozostawieniu pokrywy, nawet gdy jacuzzi jest puste, aby chronić jego obudowę. Jeśli wyjeżdżasz na kilka dni lub tygodni, nie wyłączaj jacuzzi całkowicie. Zmniejsz temperaturę do 15 stopni Celsjusza, aby cykle filtracji nadal działały, ale jacuzzi się nie nagrzewało.

- **3-5 dni:** Dostosuj pH i uzdatnianie wody (szczegółowo w sekcji dotyczącej konserwacji wody), przykryj spa. Dostosuj pH i uzdatnianie wody przed ponownym użyciem spa.
- **5-14 dni:** Ustaw najniższą temperaturę lub tryb uśpienia. Dostosuj pH i uzdatnianie wody (szczegółowo w sekcji dotyczącej konserwacji wody), przykryj jacuzzi. Dostosuj pH i uzdatnianie wody przed ponownym użyciem jacuzzi.
- **Ponad 15 dni:** Wyłącz zasilanie, otwórz zawór spustowy i całkowicie opróżnij spa. Wyjmij filtr, utrzymuj spa w suchości i przykryj je.

Rozwiązywanie problemów

Objaw	Możliwe przyczyny	Rozwiązanie
-------	-------------------	-------------

dysz nie wypływa woda	Pompa wodna zasysa powietrze	Kilkakrotnie spróbuj uruchomić pompy wodne. Jeśli nadal nie działają, otwórz pokrywę pompy wodnej, aby wypuścić powietrze, a następnie mocno ją dokręć. W międzyczasie napełnij pompę wodą przez filtr, aby zapobiec zasysaniu powietrza przez wnętrze pompy.
SPA nagrzewa się powoli	Zestaw niskiej temperatury	Zresetuj temperaturę
	Wkład filtrujący jest brudny	Czyszczenie lub wymiana filtra
	Brak przykrycia wanny spa powoduje utratę ciepła	Założ pokrywę na spa, gdy nie jest używane.
	Zamknięty jest strumień podłączony do pompy obiegowej	Otwórz dysze
Siła masażu dysz jest niewielka	Grzejnik jest zepsuty	W celu przeprowadzenia konserwacji skontaktuj się z lokalnym dealerm
	Dysze nie są całkowicie otwarte	Otwórz dysze
	Dysze są zatłkane	Obróć osłonę dyszy przeciwnie do ruchu wskazówek zegara do końca, a następnie dociśnij ją, obracając ją przeciwnie do ruchu wskazówek zegara, aby wysunąć dysze spiralnie. Sprawdź, czy w dyszach nie ma ciała obcych.
	Zawór powietrza wyłączony	Otwórz przełącznik zaworu powietrza.
	Zamknięty zawór wodny, uniemożliwiający wypływ wody z dysz	Obróć zawory, regulując strumienie wody.

Na wyświetlaczu LCD pojawia się komunikat o błędzie; SPA przestaje działać	System sterowania ma funkcję diagnostyki cyfrowej, która zatrzyma działanie, jeśli w jacuzzi wystąpi jakaś usterka, a następnie uruchomi się ponownie po rozwiązaniu problemu.	Sprawdź komunikat o błędzie w instrukcji obsługi systemu sterowania i skontaktuj się z lokalnym dealerm w celu przeprowadzenia konserwacji.
SPA nie może zostać uruchomione w żadnym trybie	Zasilanie jest wyłączone	Sprawdź, czy wyłącznik zasilania lub stycznik jest włączony.
	Panel sterowania jest zablokowany	Sprawdź, czy panel sterowania jest zablokowany i w razie potrzeby odblokuj go
	Awaria sterowania elektrycznego (na wyświetlaczu pojawia się komunikat o błędzie)	Sprawdź kod błędu w instrukcji sterowania, a następnie skontaktuj się ze sprzedawcą w celu przeprowadzenia konserwacji.
SPA otwiera się automatycznie	Funkcja filtrowania jest uruchomiona	Jest to funkcja automatyczna systemu; nie wymaga konserwacji. System automatycznie zatrzyma się po zakończeniu działania. Nie jest wymagana żadna czynność ze strony użytkownika.
	Funkcja grzania jest włączona	
	Funkcja zapobiegająca zamarzaniu jest włączona	
Pompa wodna wyłącza się automatycznie podczas korzystania ze SPA	Czas pracy pompy jest dłuższy niż domyślny maksymalny czas pracy systemu	Naciśnij ponownie przycisk pompy, aby ponownie uruchomić pompę. Pozwól pompie działać.
	Silnik pompy znajduje się w trybie zabezpieczenia przed przegrzaniem	Zatrzymaj pompę na dłużej niż 1 godzinę, aż do jej ostygnięcia, a następnie ponownie ją uruchom.
SPA włącza się po całkowitym napełnieniu wodą, po czym włączają się również pompy wodne, ale z	Odrzutowce są zamknięte	Sprawdź, czy dysze są zamknięte; jeśli nie, otwórz je

161

162

	Zawór sterujący pompą wodną nie jest całkowicie otwarty	Sprawdź, czy zawór pompy wodnej jest całkowicie otwarty.
Strumień wody rozpylanej jest czasami silny, czasami słaby	Zatłkane zawory ssące lub filtr. Zawór sterujący pompą wody nie jest całkowicie otwarty.	Sprawdź, czy w zaworze ssącym lub filtrze nie ma ciała obcych i usuń je. Sprawdź, czy oba zawory pompy wodnej są całkowicie otwarte.

Zastosowanie innych specjalistycznych produktów chemicznych

Oprócz regulacji pH i wyżej wymienionych metod dezynfekcji, do wody w spa można stosować również inne środki czyszczące:

- **ANTYKWAPIENNY:** Można go stosować w celu zapobiegania/ograniczenia wytrącania się soli wapnia (kamienia), szczególnie w obszarach o twardej wodzie. Stosować raz w tygodniu oraz przy każdej wymianie wody.
- **ALGEJECIDE SPA:** Zapobiega rozwojowi glonów w wodzie. Stosuj raz w tygodniu i przy każdej wymianie wody.
- **ŚRODEK PRZECIWPNIANOWY:** Zapobiega pienieniu się wody. Stosować raz w tygodniu i przy każdej wymianie wody.

OSTRZEŻENIE

Dodaj do wody dokładnie tyle, ile podano. Nie mieszaj produktów, aby uniknąć możliwych reakcji. Nie pal podczas kontaktu z tymi produktami – mogą być łatwopalne. Nie dodawaj środków chemicznych do wody, jeśli ktoś przebywa w spa. Przechowuj pojemniki szczelnie zamknięte w suchym, dobrze wentylowanym miejscu i trzymaj te produkty poza zasięgiem dzieci. Nie wdychaj środków chemicznych i uważaj, aby nie dostały się do oczu, nosa ani ust. Po użyciu umyj ręce. Postępuj zgodnie z instrukcjami awaryjnymi na etykiecie produktu w razie wypadku lub połknięcia.

Czyszczenie i konserwacja SPA

Posiadanie SPA jest relaksujące i terapeutyczne, ale co ważniejsze, ważne jest, aby odpowiednio o nie dbać, aby było zdrowe i ekonomiczne, unikając w ten sposób niepotrzebnych, przedwczesnych kosztów naprawy. Poniżej znajduje się szczegółowa, krok po kroku procedura.

Czyszczenie i konserwacja powierzchni spa

Powierzchnia SPA wykonana jest z błyszczącego akrylu. Należy ją utrzymywać w czystości. Zalecamy czyszczenie zewnętrznej powierzchni spa raz w tygodniu oraz czyszczenie całego spa po opróżnieniu. Szczegółowe instrukcje poniżej:

163

164

- Wyczyść brud wilgotną ściereczką. Możesz użyć neutralnego detergentu i miękkiej ściereczki. Nie używaj detergentów zawierających keton ani chlorowaną wodę.
- Jeśli na powierzchni znajdują się drobne rysy, wypoleruj ją papierem ściernym o gradacji 2000, a następnie nałóż pastę do zębów i ponownie wypoleruj miękkim ręcznikiem.
- Nie czyść powierzchni SPA żadnymi roztworami chemicznymi/rozpuszczalnikami ani narzędziami ściernymi. Nie rysuj powierzchni SPA twardymi materiałami ani nożem.
- Nie należy czyścić powierzchni SPA lakierem do paznokci, zmywaczem do paznokci, płynem do czyszczenia na sucho, acetonem, zmywaczem do farb itp., gdyż może to spowodować uszkodzenie powierzchni.
- Do SPA nie powinny mieć dostępu niedopalki papierosów ani źródła ciepła o temperaturze powyżej 70°C.

Konserwacja panelu sterowania

- Aby uniknąć zarysowań, nie należy dotykać panelu sterowania twardymi przedmiotami.
- Unikaj narażania panelu sterowania na bezpośrednie działanie promieni słonecznych.
- Jeśli nie używasz jacuzzi, utrzymuj panel sterowania w stanie suchym.

Konserwacja poduszek

- Wyczyść poduszkę neutralnym detergentem.
- Nadmierna ilość detergentu chlorkowego i ozonu spowoduje blaknięcie poduszki. Prosimy o jej zdjęcie po skorzystaniu z jacuzzi. Prosimy obchodzić się z nią ostrożnie, ponieważ nie jest objęta gwarancją.

Konserwacja pokrywy SPA

- Wyczyść pokrywę wodą z mydłem. Upewnij się, że woda z mydłem nie dostanie się do wnętrza jacuzzi.
- Proszę nie chwycać ani nie ciągnąć za ogniwo znajdujące się w środku okładki, gdyż łatwo je uszkodzić.
- Prosimy nie siadać, nie kłaść się ani nie skakać na okładce. Uszkodzenia powstałe w ten sposób mogą nie być objęte gwarancją.

Dodatkowa informacja: Prosimy o przykrycie SPA po użyciu lub czyszczeniu. Pozostawienie spa bez przykrycia i odsloniętego może spowodować unieważnienie gwarancji na spa i jego akcesoria.

Konserwacja filtra

- Uszkodzenia powstałe w wyniku siły wyższej.
- Naturalne blaknięcie kolorów.

Ograniczona gwarancja: Producent zastrzega sobie prawo do ostatecznych wyjaśnień.

Uwaga dotycząca specjalnej deklaracji: Ograniczona gwarancja obowiązuje od daty zakończenia produkcji przez producenta.

Deklaracja właściwości użytkowych

1. Unikalny kod identyfikacyjny typu produktu:
Numer produktu (patrz dół strony)
2. Przeznaczenie:
Wanna SPA do użytku domowego, w celach wellness/higieny osobistej
3. Importer:
Beliani GmbH
Haldenstrasse 5
6340 Baar
Szwajcaria
Telefon +41 43 5082233
4. Przedstawiciel upoważniony: %
5. System oceny i weryfikacji stałości właściwości użytkowych: System 1
 - a. Normy zharmonizowane:
EN55014-1:2006/+A1:2009/+A2:2011
EN55014-2:2015 EN61000-3-12:2011
EN61000-3-11:2000
Dyrektywa EMC (2014/30/UE)
EN60335-2-60:2003+A1:2005+A2:2008+A11:2010+A12:2010
EN60335-1:2012+AC:2014+A11:2014
EN62233:2008
Dyrektywa niskonapięciowa (2014/35/UE)
 - b. Europejski dokument oceny: %
Europejska ocena techniczna: %
Jednostka oceny technicznej: %
Jednostka notyfikowana: %
6. Deklarowane parametry:

Podstawowe cechy	Wydajność	Zharmonizowana Specyfikacja Techniczna
Bezpieczeństwo użytkownika	Zgodna	EN 60335-2 EN 60335-1

Należy regularnie czyścić filtry. Raz w tygodniu należy je wyjąć i oczyścić z zanieczyszczeń za pomocą węża wysokociśnieniowego. Raz w miesiącu należy namoczyć filtry w płynie do czyszczenia filtrów wkładowych, a następnie spłukać je wężem wysokociśnieniowym.

Czyszczenie filtra

1. Wyłącz zasilanie.
2. Wyjmij wkład; przed wyjęciem filtra zapoznaj się z instrukcją jego wyjmowania.
3. Wyjmij filtr z wkładu, obracając go w kierunku przeciwnym do ruchu wskazówek zegara.
4. Wyczyść wkład wodą, aż nie będzie w nim żadnych resztek.
5. Spryskaj filtr wodą, kierując się od góry do dołu i pod kątem 45° (patrz zdjęcia po prawej stronie).
6. Po wyczyszczeniu zamontuj filtr i wkład.
7. Włącz zasilanie.

Ostrzeżenie: Przed wyjęciem filtrów ZAWSZE upewnij się, że zasilanie spa jest wyłączone. Jeśli pozostawisz zasilanie włączone i coś zostanie zassane do pompy lub grzałki, powodując awarię, usterka nie będzie objęta gwarancją.

Wydajność i zakres gwarancji

Nasza firma udziela ograniczonej, 2-letniej gwarancji obejmującej wady produkcyjne i usterki bezpośrednio związane z projektem, materiałami lub wykonaniem produktu. Niniejsza gwarancja dotyczy wyłącznie produktów używanych wyłącznie do celów prywatnych, osobistych i niekomercyjnych.

Naprawy lub wymiany nie przedłużają ani nie odnawiają pierwotnego okresu gwarancji. Niniejsza gwarancja obejmuje wyłącznie części, o ile nie zaznaczono inaczej na piśmie. Wszelkie roszczenia gwarancyjne dotyczące uszkodzeń transportowych należy zgłosić w ciągu 24 godzin od dostawy, wraz z odpowiednią dokumentacją i zdjęciami, a także potwierdzić je kierowcy. Wszelkie nieautoryzowane próby naprawy lub nieprzeprzeżenie opisanej procedury mogą spowodować unieważnienie gwarancji.

Następujące elementy są wyraźnie wyłączone z zakresu gwarancji:

- Wszelkie uszkodzenia powstałe na skutek niewłaściwego użytkowania lub konserwacji niezgodnej z instrukcją obsługi.
- Uszkodzenia spowodowane czynnikiem ludzkim.
- Jakiegokolwiek zmiany w produkcie bez zgody producenta.
- Uszkodzenie lub odbarwienie powierzchni skorupy spowodowane działaniem żrących, lub niewłaściwych środków czyszczących.
- Uszkodzenia powstałe na skutek niewłaściwego transportu lub przechowywania.

Działanie (normalne i nieprawidłowe)	Zgodna	EN 62233
Dyrektywa niskonapięciowa	Zgodna	
Kompatybilność elektromagnetyczna (EMC)	Zgodna	EN 55014-1 EN 55014-2 EN 61000-3-12 EN 61000-3-11

7. Odpowiednia dokumentacja techniczna lub specjalna dokumentacja techniczna:
Nr raportu: 60445226 001 TÜV Rheinland
Nr raportu: 60445226 001 TÜV Rheinland

Właściwości użytkowe wyżej wymienionego produktu są zgodne z deklarowanymi właściwościami użytkowymi. Za sporządzenie Deklaracji Właściwości Użytkowych zgodnie z Rozporządzeniem (UE) nr 305/2011 odpowiedzialny jest wyłącznie importer wskazany powyżej.

Załącznik

Numer artykułu	Typ artykułu
37979 (E-351S) PIĄTY	Whirlpool SPA
37981 (M-530D) VILLARRICA	Whirlpool SPA
37983 (E-310S) KOŚĆ SŁONIOWA	Whirlpool SPA

Podpisano w imieniu importera przez:
Michael Widmer, Dyrektor Zarządzający



6340 Baar, 20.05.2024

Português (PT)



Instruções de utilização:

Certifique-se de ler este manual de instruções antes de utilizar o produto.

Com uma preparação e manutenção adequadas, esta banheira de hidromassagem proporcionará muitos anos de prazer e relaxamento. Este manual foi elaborado para fornecer toda a informação essencial sobre a instalação, manutenção e funcionamento da sua nova banheira de hidromassagem. Reserve algum tempo para ler este manual, para garantir que o produto é utilizado de forma correta e segura.

Função principal e características do produto:

- **Função de hidroterapia:** a banheira de hidromassagem está equipada com assentos de hidroterapia, desenhados para oferecer suporte ergonómico ao seu corpo. Ajuste a pressão da massagem modificando as configurações de massagem, válvula de desvio de água e regulador de ar.
- **Função terapêutica com jatos de ar:** ative o soprador de ar para libertar uma grande quantidade de bolhas de ar através de jatos de ar especialmente concebidos, que contribuem para uma experiência de massagem borbulhante que é simultaneamente terapêutica e divertida.
- **Função de aquecimento:** a banheira de hidromassagem aquece a água e possibilita que os utilizadores ajustem a temperatura desejada. O sistema de aquecimento mantém essa temperatura, garantindo o uso contínuo durante todo o ano.
- **Função de filtragem e circulação:** a banheira de hidromassagem está equipada com um sistema de filtragem, com um filtro integrado e esterilização por ozono. Enquanto filtra as impurezas, o sistema opera automaticamente o ciclo de filtro para eliminar bactérias, utilizando o ozono gerado pela unidade de ozono.
- **Iluminação:** a iluminação LED subaquática melhora a atmosfera. Controlada pelo painel de controlo, esta funcionalidade não só ilumina a água, mas também cria um ambiente romântico e relaxante.

Menção importante: todas as funções mencionadas acima são descrições gerais dos nossos produtos banheira de hidromassagem. As características específicas da sua banheira de hidromassagem podem variar. Por favor, confirme todos os detalhes antes de efetuar a sua compra. O fabricante reserva-se o direito de modificar ou melhorar os produtos sem aviso prévio e sem incorrer em qualquer obrigação.

169

170

Instruções importantes:

Deve familiarizar-se com as regras de segurança das banheiras de hidromassagem e procedimentos de tratamento da água. Assegure-se de compreender estas informações:

- **Requisitos de drenagem:** assegure-se de que a banheira de hidromassagem não é instalada em áreas baixas ou propensas a inundações, pois isto pode resultar em falhas no equipamento elétrico ou colocar em risco os utilizadores do SPA.
- **Risco de choque elétrico:** tal como em qualquer aparelho elétrico, existe o risco de choque elétrico. A câmara do motor, localizada no interior da caixa, contém a unidade de controlo que opera a banheira. Esta câmara deve permanecer sempre fechada. Se a água entrar na câmara do motor, desligue a banheira da fonte de alimentação e certifique-se de que todos os componentes estão completamente secos antes de tentar reiniciá-lo.
- **Temperatura:** Assegure-se de que a temperatura da água da banheira de hidromassagem não exceda os 40°C. Temperaturas mais elevadas podem sobrecarregar o sistema cardiovascular. Caso a temperatura exceda os 40°C, saia da banheira imediatamente e contacte o seu distribuidor. Recomenda-se que a temperatura da água não ultrapasse a temperatura normal do corpo humano (aproximadamente 37,5°C).
- **Condições médicas:**
 - Pessoas com diabetes, hipertensão, problemas cardíacos ou outras condições cardiovasculares devem consultar um médico antes de utilizar esta banheira.
 - Para reduzir a contaminação e os riscos para a saúde, deve tomar um duche com sabão e água antes de entrar na banheira.
 - Alguém com feridas abertas ou qualquer tipo de infecção não deve utilizar a banheira.
 - A água quente pode criar um ambiente propício ao crescimento de bactérias, especialmente se os níveis de desinfetante não forem devidamente mantidos.
 - As grávidas devem sempre consultar um médico antes de utilizar o produto.
- **Tempo de imersão e arrefecimento:** limite as sessões de imersão a 15–20 minutos de cada vez. Algumas banheiras têm um banco de arrefecimento. Se começar a sentir calor excessivo, sente-se no banco e deixe o seu corpo arrefecer. Quando se sentir confortável, pode voltar à água lentamente. Se se sentar com o peito acima da linha de água, o tempo de arrefecimento será mais rápido. Evite passar muito tempo na água com uma temperatura superior à temperatura normal do corpo.
- **Uso de álcool e medicação:** consumir álcool na banheira, ou nas proximidades da mesma, não é seguro. Nunca use recipientes de vidro perto da banheira. O álcool aumenta o risco de afogamento. Se estiver a tomar medicação, consulte o seu médico antes de usar este produto.
- **Segurança das crianças:** as crianças não devem usar a banheira sem supervisão.
- **Prevenção de quedas:** tenha a máxima atenção ao entrar ou sair da banheira de hidromassagem, pois as superfícies molhadas ou irregulares podem ser escorregadias.

Utilize corrimões e superfícies antiderrapantes para reduzir o risco de quedas. Em alguns casos, pode ser necessário usar degraus para facilitar a entrada e saída da banheira.

- **Aparelhos elétricos:** não coloque aparelhos elétricos a menos de 2 metros da banheira.
- **Condições meteorológicas:** Não utilize ou opere este produto em condições meteorológicas extremas, como trovoadas, ciclones e tempestades elétricas.
- **Ventilação:** se a área onde se encontra a banheira não estiver devidamente ventilada, os utilizadores podem sofrer irritações na garganta. Assegure-se de que o produto está instalado numa área bem ventilada, especialmente se for coberta.
- **Produtos químicos:** Os produtos químicos são essenciais para manter a água limpa, prevenir o crescimento de bactérias e, deste modo, prolongar a vida útil da banheira e dos seus componentes. Contudo, quando usados em formas concentradas (como alguns produtos domésticos), os químicos podem ser perigosos. Manuseie os produtos químicos com cuidado e siga as orientações de segurança. Consulte o rótulo e a documentação de segurança do produto. Informações detalhadas sobre como utilizar produtos químicos com segurança estão disponíveis na seção relativa à gestão de produtos químicos.

Instalação da banheira de hidromassagem

Sempre que possível, recorra a um profissional qualificado para instalar a sua banheira de hidromassagem. O fabricante não se responsabiliza por danos causados por uma instalação incorreta, ou executada por profissionais não qualificados.

Posicionamento e localização da banheira de hidromassagem

- Deve posicionar a banheira de forma a facilitar a sua manutenção e o acesso total às suas funcionalidades. A maioria dos componentes está na parte da frente: é importante que essa área permaneça acessível para efetuar as devidas ligações elétricas e eventuais reparações.
- Recomendamos que deixe, pelo menos, 1,20 metros de espaço à volta de todos os lados da banheira, de forma a garantir o acesso necessário.
- É responsabilidade do proprietário garantir que a instalação seja feita corretamente antes de utilizar o produto.
- Todos os equipamentos da banheira portátil precisam de ventilação. Não deve bloquear as aberturas do compartimento.
- Mantenha a banheira afastada de árvores, para evitar que as folhas bloqueiem o filtro.

Nota importante:

Não exponha a banheira à luz solar direta durante períodos prolongados. Isso pode anular a sua garantia. O produto tem isolamento na estrutura e nos tubos. Se exposto à luz solar direta, a temperatura da superfície pode subir até 200°C e danificar o aparelho.

171

172

Recomendamos que utilize sempre a capa rígida quando a banheira não estiver em uso e colocá-la numa área protegida de condições meteorológicas extremas. Deixar a banheira de hidromassagem a descoberto e exposta pode anular a sua garantia e a dos seus acessórios.

Requisitos de localização

- Antes da instalação, é aconselhável consultar um profissional para confirmar a posição mais adequada para esta banheira.
- Evite colocar a banheira em áreas onde a água possa inundar o compartimento do equipamento elétrico. Certifique-se também de que está protegido de contacto directo com áreas muito húmidas.
- Posicione a banheira de forma horizontal, assegurando-se de que toda a base da unidade esteja sobre uma superfície lisa, plana e nivelada, capaz de suportar o peso da banheira, quando completamente cheia de água, mais o peso dos utilizadores (necessita de uma capacidade de 1000 kg).
- A banheira não deve ser colocada sobre uma superfície curvada, macia, arenosa ou sobre blocos.

Instalação elétrica

- A alimentação elétrica da sua banheira de hidromassagem deve ser feita através de um circuito dedicado, sem outros aparelhos ou tomadas a partilhar a mesma fonte de alimentação. Danos causados por amperagem incorreta NÃO serão cobertos pela garantia. Consulte um electricista qualificado para efetuar a ligação elétrica.
- Assegure-se de que a sua banheira está corretamente ligada à terra. A alimentação elétrica principal deve incluir um dispositivo de corrente residual (RCD). Recomenda-se um protector de fuga de 30mA.

Por favor, seleccione o tamanho adequado do cabo:

Potência (KW)	2.1	2.5	2.8	3.2	3.5	4.4	5.3	6.2	7.0	7.9	8.8
Distância produto											
6 - 11 metros	2.5	2.5	2.5	2.5	4	4	6	10	10	10	10
11 - 15 metros	2.5	2.5	2.5	4	4	4	6	6	10	10	10
15 - 20 metros	4	4	4	4	6	6	10	10	10	16	16

173

Os jatos são os principais componentes responsáveis pela massagem. Pode ajustar o fluxo de água ao rodar a face do jato.

- Rode a tampa do jato no sentido dos ponteiros do relógio, cerca de 1/4 de volta, para abrir os jatos.
- Rode a tampa do jato no sentido contrário ao dos ponteiros do relógio, cerca de 1/4 de volta, para fechar os jatos.

Nota: Alguns jatos e jatos de ar não são ajustáveis. Não rode estes jatos com força, pois pode danificar os mesmos.

Instruções de controlo dos jatos de ar

- Os controlos de ar afetam a pressão dos seus jatos, pois adicionam ar. Pode ter mais de um controlo de ar na sua banheira, cada um associado a um grupo específico de jatos. Ao abrir um controlo de ar, mais ar será aspirado para o fluxo de água.
- Quando o controlo de ar é rodado no sentido dos ponteiros do relógio, a potência dos jatos de massagem diminui.
- Quando é girado no sentido contrário ao dos ponteiros do relógio, a potência dos jatos de água aumenta.

Nota: para um aquecimento mais eficiente, recomendamos que desligue os controlos de ar. O soprador de ar pode diminuir a temperatura da água da banheira de hidromassagem.

Instruções da válvula de desvio de água

A válvula de desvio de água é o componente que permite ajustar a potência da massagem. Ao rodar a válvula de desvio, torna-se possível controlar o fluxo de água entre os jatos. A rotação ajusta a intensidade da massagem nos diferentes grupos de jatos.

Gestão e manutenção da água da banheira de hidromassagem

Tenha em consideração que estas instruções servem apenas como guia geral para manter a qualidade da água da banheira de hidromassagem. Antes de tomar qualquer ação, consulte um especialista local para determinar a quantidade apropriada de desinfetante a utilizar na sua banheira, tal como os procedimentos adequados com base na capacidade da sua banheira.

- Nunca use produtos químicos de baixa qualidade ou equipamentos incompatíveis, pois isso pode causar danos.
- Os produtos químicos não são cobertos pela garantia.
- Deve testar a água pelo menos uma vez por mês junto de um profissional. Recomenda-se também que o utilizador teste a água semanalmente. Ao adicionar produtos químicos, misture-os na água durante 20-30 minutos e assegure-se de que todas as substâncias estão completamente dissolvidas.

175

Manutenção da banheira de hidromassagem

Uma banheira de hidromassagem é uma experiência agradável, relaxante e terapêutica, mas é importante cuidar bem do seu investimento para garantir que ela se mantenha em boas condições, evitando desta forma custos de reparação desnecessários e prematuros. Abaixo encontra um guia simples passo a passo que poderá seguir.

Encher a banheira de hidromassagem

1. Antes de encher a sua banheira, verifique e aperte todas as ligações elétricas, pois podem ter-se soltado durante o transporte.
2. Verifique e assegure-se de que todas as válvulas de retenção estão na posição aberta.
3. Certifique-se de que a válvula de drenagem se encontra fechada.
4. Verifique se todos os jatos estão na posição aberta. Rode no sentido dos ponteiros do relógio para abrir os jatos.
5. Encha a banheira com água. Utilize o filtro para evitar bloqueios de ar nas bombas.
6. Encha até atingir o nível de água recomendado.

Nota: para evitar danificar os componentes, NÃO ENCHA a banheira com água com uma temperatura superior a 40°C.

Drenagem da banheira de hidromassagem

Se utilizar a banheira de hidromassagem apenas uma ou duas vezes por semana, a drenagem será menos frequente do que para quem o utiliza três ou mais vezes por semana. No entanto, é recomendado drenar a banheira pelo menos a cada 3 meses.

A válvula de drenagem encontra-se na parte frontal da base inferior. As instruções de drenagem são as seguintes:

1. Retire a tampa da válvula de drenagem rodando a mesma no sentido contrário ao dos ponteiros do relógio.
2. Ligue a mangueira à válvula de drenagem (diâmetro da mangueira: ¾ ou 19,04 mm).
3. Puxe e desaperte até que a água comece a fluir.

Nota: certifique-se de que a alimentação elétrica está desligada antes de proceder à drenagem. Danos despoletados por funcionamento sem água não são cobertos pela garantia.

Instruções do painel de controlo da banheira de hidromassagem

Para operar o painel de controlo da banheira de hidromassagem, consulte o Manual do utilizador do sistema de controlo e o Guia rápido de operações.

Instruções dos jatos

Efeitos e ajuste do pH

- Um pH baixo (abaixo de 7.2) leva a que os desinfetantes funcionem de forma ineficaz, aumenta o risco de corrosão das superfícies e componentes, e pode causar irritação na pele e nos olhos.
- Se o pH for alto (acima de 7.6), os desinfetantes de cloro perdem a eficácia; a água pode ficar turva e podem formar-se depósitos nas superfícies e nos aquecedores.

ATENÇÃO! O nível de pH mede o nível de acidez/alcalinidade da água:

- Alcalinidade: valores acima de 7 são alcalinos; abaixo de 7 são ácidos.
- Recomenda-se um intervalo de pH entre 7.2 e 7.6.

AVISO: assegure-se de que o nível de pH está correto. Quaisquer danos causados por pH incorreto não serão cobertos pela garantia da sua banheira de hidromassagem.

Ajuste do pH

- Verifique o pH da água da banheira diariamente utilizando um medidor de pH (não fornecido). Se o pH estiver fora da faixa recomendada, não utilize o produto. Aguarde duas horas e volte a fazer o teste.
- Se o pH continuar incorreto, deixe funcionar a bomba por mais 2 horas e refaça o teste.
- Se ainda estiver incorreto: retire a capa da banheira e faça o teste novamente depois de adicionar o produto adequado para ajustar o pH ou a alcalinidade/acidificação (utilize apenas conforme indicado). Misture bem e refaça o teste após 20 minutos.

Desinfecção da água

- A desinfecção é fundamental para destruir algas, bactérias e outros patógenos na água. O uso excessivo de desinfetantes pode causar irritação na pele e nos olhos.
- **Pastilhas de brometo:** seguras e adequadas para a desinfecção da sua banheira. Coloque-as no pré-filtro e deixe que se dissolvam gradualmente.
- Verifique os níveis residuais de brometo diariamente com um teste. Os níveis ideais são entre 2.2 e 3.3 ppm.

Desinfecção com ozono

- O ozono (O₃) é um desinfetante poderoso e inodoro.
- A maioria das banheiras de spa está equipada com 1-2 geradores de ozono.
- O sistema injeta ozono automaticamente na água através dos jatos.
- O ozono deve ser libertado, idealmente, uma vez por dia, durante 1-2 horas.
- A vida útil do gerador de ozono depende da utilização: deve ser verificada regularmente.

174

176

Remoção e instalação do filtro

Remoção do cartucho e do filtro:

- Abra a tampa do cartucho na parte superior.
- Retire a tampa do filtro e gire no sentido contrário ao dos ponteiros do relógio para remover o filtro de papel.
- Para instalar o filtro de cartucho, inverta os passos acima.

Remoção dos filtros duplos de acesso frontal:

- Levante o painel frontal e puxe a capa para o lado.
- Rode no sentido contrário ao dos ponteiros do relógio para remover o filtro de papel.
- Para instalar os filtros de acesso frontal duplos, inverta os passos acima.

Remoção do filtro de bloqueio de acesso frontal:

- Remova a tampa superior.
- Rode no sentido contrário ao dos ponteiros do relógio para remover o filtro de papel.
- Para instalar o filtro de bloqueio de acesso frontal, inverta os passos acima.

Quando a banheira de hidromassagem não estiver a ser utilizada

Se se ausentar por mais de 2 meses, recomendamos que desligue a banheira e a esvazie. Deixe a capa colocada, mesmo se estiver vazia, para proteger a estrutura. Se se ausentar por alguns dias ou semanas, não desligue a banheira totalmente. Reduza a temperatura para 15°C, para que os ciclos de filtragem continuem a funcionar, sem que o produto aqueça.

- **3-5 dias:** ajuste o pH e o tratamento da água (para mais detalhes, consulte a seção de manutenção da água), e cubra a banheira. Ajuste o pH e o tratamento da água quando voltar a utilizar a banheira.
- **5-14 dias:** defina a temperatura mais baixa ou o modo de descanso. Ajuste o pH e o tratamento da água (para mais detalhes, consulte a seção de manutenção da água), e cubra a banheira. Ajuste o pH e o tratamento da água quando voltar a utilizar.
- **Mais de 15 dias:** desligue a alimentação elétrica, abra a válvula de drenagem e esvazie completamente a banheira. Remova o filtro, seque a banheira e cubra-a.

Resolução de problemas

Problema	Possíveis causas	Solução
Mensagem de erro surge no LCD; a banheira parou de funcionar	O painel de controlo tem uma função de diagnóstico digital que deixa de funcionar se houver algum	Verifique a mensagem de erro no manual e contacte o seu revendedor local para efetuar a manutenção.

177

	problema na banheira, e reinicia quando o problema for resolvido.	
A banheira não inicia em nenhum modo	Alimentação desligada	Verifique se o interruptor de alimentação ou o disjuntor estão ligados.
	Painel de controlo bloqueado	Verifique se o painel de controlo está bloqueado e, se possível, desbloqueie-o.
	Falha no controlo elétrico (o visor exibe uma mensagem de erro)	Verifique o código de erro no manual e contacte o seu distribuidor para realizar a manutenção.
A banheira abre automaticamente	A função de filtragem está em funcionamento	É uma função automática do sistema; não é necessária manutenção. O sistema irá parar automaticamente quando a função for concluída. Não é necessário nenhuma ação.
	A função de aquecimento está em funcionamento	
	A função anti-congelamento está em funcionamento	
A bomba de água desliga automaticamente quando a banheira de hidromassagem está a ser utilizada	O tempo de funcionamento da bomba é superior ao tempo máximo predefinido do sistema	Pressione o botão da bomba para reiniciar a bomba. Deixe a bomba funcionar.
	O motor da bomba está no modo de proteção contra sobreaquecimento	Desligue a bomba por mais de 1 hora até que ela tenha arrefecido, depois reinicie a bomba.
A banheira liga após ser preenchida completamente com água, a bomba de água também liga, mas não sai água dos jatos	Os jatos estão fechados	Verifique se os jatos estão fechados; se não estiverem, abra-os.
	A bomba de água está a sugar o ar	Inicie as bombas de água. Se não funcionar, abra a tampa da bomba de água para libertar o ar, e volte a apertá-la bem. Enquanto isso, encha a água através do filtro para evitar que a bomba sugue o ar.

178

A banheira de hidromassagem aquece lentamente	Temperatura baixa definida	Reconfigure a temperatura
	O cartucho do filtro está sujo	Limpe ou substitua o filtro
	Banheira sem capa causa perda de calor	Coloque a capa na banheira, quando não a utilizar
	O jato ligado à bomba de circulação está fechado	Abra os jatos
	O aquecedor está avariado	Contacte o seu distribuidor local para realizar a manutenção.
A potência da massagem dos jatos é baixa	Os jatos não estão totalmente abertos	Abra os jatos
	Os jatos estão obstruídos	Rode a tampa do jato no sentido contrário ao dos ponteiros até ao fim: em seguida, force-a no mesmo sentido para girar os jatos para fora. Verifique se há detritos dentro dos jatos.
	Válvula de ar desligada	Abra o interruptor da válvula de ar
	A válvula de água está fechada, impedindo a saída de água dos jatos	Gire as válvulas, ajustando os jatos de água
	A válvula de controlo da bomba de água não está completamente aberta	Verifique se a válvula da bomba de água está totalmente aberta
O jato de água tem uma intensidade variável (às vezes forte, às vezes fraca)	As sucções ou o filtro estão obstruídos. A válvula de controlo da bomba de água não está totalmente aberta	Verifique se os filtros têm detritos e remova-os. Verifique se as válvulas da bomba de água estão totalmente abertas

Aplicação de outros produtos químicos especiais

Além do ajuste do pH e dos métodos de desinfecção mencionados acima, existem alguns produtos de limpeza que podem ser usados na água da sua banheira de hidromassagem:

- **ANTI-CALCÁRIO:** pode ser usado para prevenir/reduzir a precipitação de sais de cálcio (calcário), especialmente em áreas com água calcária. Use uma vez por semana e sempre que a água for renovada.
- **ALGICIDA PARA BANHEIRAS DE HIDROMASSAGEM:** previne o crescimento de algas na água. Use uma vez por semana e sempre que a água for renovada.
- **ANTI-ESPUMA:** previne a formação de espuma na água. Use uma vez por semana e sempre que a água for renovada.

AVISO

Adicione as quantidades exatas do produto à água, conforme indicado. Não misture produtos para evitar reações indesejadas. Não fume ao manusear estes produtos, pois podem ser inflamáveis. Não adicione produtos químicos à água se houver alguém na banheira. Mantenha os recipientes bem fechados em locais secos e ventilados e mantenha-os fora do alcance das crianças. Não inale os produtos químicos e tenha cuidado para evitar o contacto com os olhos, nariz ou boca. Lave as mãos após o uso. Siga as instruções de emergência no rótulo do produto em caso de acidente ou ingestão.

Limpeza e manutenção da banheira de hidromassagem

Possuir uma banheira de hidromassagem é uma experiência relaxante e terapêutica, mas é importante garantir a manutenção adequada para preservar a sua eficiência e evitar custos de reparação prematuros. Abaixo encontra um procedimento simples e detalhado para a limpeza e manutenção da sua banheira.

Limpeza e manutenção da superfície da banheira de hidromassagem

A superfície da banheira é feita de acrílico de alto brilho, o que requer cuidados específicos para preservar a sua aparência. Recomenda-se a limpeza da superfície exterior da banheira uma vez por semana e a limpeza completa após o esvaziamento do produto. Siga os passos abaixo:

- Limpe a sujidade com uma toalha húmida. Utilize detergente neutro e uma toalha macia. Não utilize detergentes que contenham cetonas ou água com cloro.
- Caso a superfície tenha riscos leves, lixe-a suavemente com uma lixa de grão 2000 e retoque com pasta de dentes. Após isso, volte a polir a área com uma toalha macia.
- Não utilize soluções químicas, solventes ou ferramentas abrasivas para limpar a superfície da banheira. Evite riscar a superfície com materiais duros ou facas.
- Não utilize vernizes, líquidos de limpeza a seco, acetona, removedores de tinta, etc., pois estes produtos podem danificar a superfície.
- Não permita que pontas de cigarro ou fontes de calor superiores a 70°C entrem em contacto com a banheira.

Manutenção do painel de controlo

179

180

- Evite o contacto do painel de controlo com objetos duros para prevenir riscos e mossas.
- Não exponha o painel de controlo à luz solar direta.
- Mantenha o painel de controlo seco quando a banheira não estiver a ser utilizada.

Manutenção da almofada

- Limpe a almofada com detergente neutro.
- Evite o uso excessivo de detergentes com cloro ou a sua exposição ao ozono, pois estes podem desbotar a almofada. Retire a almofada após utilizar a banheira e manuseie-a com cuidado, pois não está coberta pela garantia.

Manutenção da capa da banheira de hidromassagem

- Limpe a capa com água e sabão. Certifique-se de que a água com sabão não entra em contacto com a água da banheira.
- Não puxe nem force a pega no centro da capa, pois pode partir facilmente.
- Não se sente, deite ou salte sobre a capa. Danos causados por estas ações podem não estar cobertos pela garantia.

Nota: sempre que não estiver a utilizar a banheira, ou após a limpeza, coloque a capa para proteger o equipamento. Deixar a banheira a descoberto pode anular a garantia do artigo e dos acessórios.

Manutenção do filtro

Os filtros devem ser limpos regularmente. Uma vez por semana, retire os filtros e lave-os com uma mangueira de alta pressão para remover detritos. Uma vez por mês, mergulhe os filtros numa solução de limpeza específica para filtros de cartucho e, de seguida, lave-os novamente com uma mangueira de alta pressão.

Limpeza do filtro

1. Desligue a alimentação elétrica
2. Remova o cartucho; consulte as instruções de remoção do filtro antes de o fazer.
3. Retire o filtro do cartucho, rodando no sentido contrário ao dos ponteiros do relógio.
4. Limpe o cartucho com água até não restarem resíduos.
5. Pulverize o filtro com água de cima para baixo, num ângulo de 45° (consulte as imagens à direita).
6. Instale novamente o filtro e o cartucho após a limpeza.
7. Ligue a alimentação elétrica.

Aviso: ao remover os filtros, certifique-se SEMPRE de que a alimentação elétrica da sua banheira está desligada. Se deixar a alimentação ligada e algum componente for sugado para a bomba ou aquecedor, causando avarias, a falha não será coberta pela garantia.

Desempenho e cobertura da garantia

A nossa empresa oferece uma garantia limitada de 2 anos que cobre defeitos de fabrico e falhas diretamente atribuíveis ao design, materiais ou à concepção do produto. Esta garantia aplica-se apenas a produtos usados exclusivamente para fins privados, pessoais e não comerciais.

Todas as reparações ou substituições não renovam nem prolongam o período da garantia original. Esta é uma garantia apenas para peças, salvo indicação em contrário por escrito. Para qualquer reclamação de garantia relativa a danos no transporte, os danos devem ser reportados dentro de 24 horas após a entrega, com a devida documentação e fotografias, sendo reconhecidos pelo transportador. Tentativas de reparação não autorizadas ou falhas em seguir o procedimento indicado podem invalidar a garantia.

Os seguintes elementos estão especificamente excluídos de qualquer cobertura de garantia:

- Danos resultantes de uso ou manutenção que não estejam de acordo com o manual do utilizador.
- Danos causados por fatores humanos
- Qualquer alteração ao produto efetuada sem autorização do fabricante.
- Danos ou descoloração da superfície da estrutura devido à utilização de agentes corrosivos ou produtos de limpeza inadequados.
- Danos causados por transporte ou armazenamento inadequado.
- Danos resultantes de eventos de fenómenos naturais.
- Desvanecimento natural da cor.

Garantia Limitada: O fabricante reserva-se o direito de explicação final.

Nota de declaração especial: A garantia limitada inicia-se na data de produção da banheira de hidromassagem, após a sua conclusão substancial.

181

182

Declaração de desempenho

1. Código único de identificação do tipo de produto:
Número de produto (ver no final da página)
2. Uso pretendido:
Banheira de hidromassagem para uso doméstico e bem estar/higiene pessoal
3. Importador:
Beliani GmbH
Haldenstrasse 5
6340 Baar
Suíça
Telefone: +41 43 5082233
4. Representante autorizado: %
5. Sistema de avaliação e verificação da constância de desempenho: Sistema 1
 - a. Normas harmonizadas:
EN55014-1:2006/+A1:2009/+A2:2011
EN55014-2:2015 EN61000-3-12:2011
EN61000-3-11:2000
Diretiva EMC (2014/30/EU)
EN60335-2-60:2003+A1:2005+A2:2008+A11:2010+A12:2010
EN60335-1:2012+AC:2014+A11:2014
EN62233:2008
Diretiva relativa à Baixa Tensão (2014/35/EU)
 - b. Documento Europeu de Avaliação: %
Avaliação Técnica Europeia: %
Organismo de avaliação técnica: %
Entidade Notificada: %
6. Desempenho declarado:

Características essenciais	Desempenho	Especificação Técnica Harmonizada
Segurança do utilizador	Conforme	EN 60335-2
Funcionamento (normal e anormal)	Conforme	EN 60335-1 EN 62233
Diretiva de Baixa Tensão	Conforme	
Compatibilidade Eletromagnética (EMC)	Conforme	EN 55014-1

		EN 55014-2
		EN 61000-3-12
		EN 61000-3-11

7. Documentação técnica apropriada ou documentação técnica específica:
Relatório N°: 60445226 001 TÜV Rheinland
Relatório N°: 60445226 001 TÜV Rheinland

O desempenho do produto acima mencionado está em conformidade com o desempenho declarado. O importador mencionado acima é o único responsável pela preparação da Declaração de Desempenho de acordo com o Regulamento (UE) n° 305/2011.

Apêndice

Número do artigo	Tipo de produto
37979 (E-351S) CALIMA	Banheira de hidromassagem
37981 (M-530D) VILLARRICA	Banheira de hidromassagem
37983 (E-310S) MARFIL	Banheira de hidromassagem

Assinado em nome do importador por:
Michael Widmer, Diretor Geral



6340 Baar, 20.05.2024

183

184

Română (RO)



Instrucțiuni de utilizare:

Asigurați-vă că citiți cu atenție acest manual de instrucțiuni înainte de utilizare.

Cu o pregătire și întreținere corectă, spa-ul dvs. vă va oferi mulți ani de relaxare și confort. Acest manual conține toate informațiile esențiale referitoare la pregătirea, instalarea, întreținerea și utilizarea corectă a noului dvs. spa. Vă rugăm să citiți întreg manualul pentru a vă asigura că spa-ul este folosit corect și în siguranță.

Funcția principală și caracteristicile produsului:

- **Funcția de hidroterapie:** Spa-ul este prevăzut cu scaune ergonomice pentru hidroterapie, care oferă suport confortabil corpului. Presiunea masajului poate fi ajustată prin setările pompelor de apă, duzele de masaj și regulatorul de aer.
- **Funcția de masaj cu bule:** Porniți sistemul de aer pentru a genera un volum mare de bule prin duzele dedicate, oferind un masaj relaxant și distractiv, ideal pentru relaxare și stimularea circulației.
- **Încălzirea apei:** Spa-ul permite setarea temperaturii dorite, iar sistemul de încălzire menține apa la temperatura stabilită, pentru utilizare pe tot parcursul anului.
- **Filtrare și circulație:** Spa-ul are un sistem de filtrare cu filtru integrat și sterilizare cu ozon. În timpul filtrării, sistemul funcționează automat pentru a menține apa curată și sigură, eliminând bacteriile prin acțiunea ozonului.
- **Iluminare LED:** Luminile subacvatice cu LED creează o atmosferă plăcută și relaxantă. Controlul se face prin panoul de comandă, iar iluminarea contribuie la experiența de relaxare și confort în spa.

Mențiune importantă: Toate funcțiile menționate mai sus reprezintă descrieri generale ale produselor noastre spa. Caracteristicile specifice ale modelului dumneavoastră pot diferi. Vă rugăm să verificați detaliile înainte de achiziție. Producătorul își rezervă dreptul de a modifica sau îmbunătăți produsele fără notificare prealabilă și fără a-și asuma vreo obligație.

Instrucțiuni importante

Este esențial să vă familiarizați cu regulile generale de siguranță și cu procedurile de tratare a apei pentru spa. Vă rugăm să vă asigurați că înțelegeți următoarele informații:

- **Aparate electrice:** Nu plasați niciun dispozitiv electric la mai puțin de 2 metri de spa.
- **Condiții meteorologice:** Nu utilizați sau operați spa-ul în condiții meteorologice extreme, cum ar fi furtuni cu fulgere, cicloni sau furtuni electrice.
- **Ventilație:** Dacă zona în care se află spa-ul nu este ventilată corespunzător, este posibil să simțiți iritații ale gâtului. Vă rugăm să vă asigurați că spa-ul este instalat într-un spațiu bine aerisit, mai ales dacă acesta este închis.
- **Substanțe chimice:** Substanțele chimice sunt esențiale pentru menținerea apei curate, prevenirea dezvoltării bacteriilor și prelungirea duratei de viață a spa-ului și a componentelor sale. Totuși, atunci când sunt utilizate în forme concentrate (cum sunt anumite substanțe chimice de uz casnic), acestea pot fi periculoase. Manipulați întotdeauna substanțele chimice pentru spa cu grijă și respectați instrucțiunile de siguranță. Consultați eticheta produsului și documentația de securitate. Informații detaliate despre utilizarea în siguranță a substanțelor chimice se găsesc în secțiunea „Gestionarea substanțelor chimice”.

Instalarea spa-ului

Apelați întotdeauna la un specialist calificat pentru instalarea spa-ului. Producătorul nu își asumă responsabilitatea pentru eventualele daune cauzate de instalarea incorectă sau de lucrări efectuate de persoane necalificate.

Poziționarea și amplasarea spa-ului

- Spa-ul trebuie amplasat astfel încât să permită accesul facil pentru service și întreținere. Majoritatea echipamentelor sunt situate în partea frontală a spa-ului și trebuie să rămână accesibile pentru conectarea la alimentare și pentru lucrările de service.
- Se recomandă să lăsați un spațiu liber de cel puțin 1,2 metri în jurul tuturor celor patru laturi ale spa-ului, pentru a facilita accesul ulterior.
- Proprietarul este responsabil de asigurarea faptului că instalarea este finalizată corect înainte de începerea utilizării.
- Toate echipamentele portabile pentru spa necesită ventilație. Nu acoperiți orificiile de aerisire din carcasă.
- Așezați spa-ul la distanță de copaci pentru a preveni blocarea filtrului cu frunze.

Notă importantă:

Nu lăsați spa-ul expus direct la razele soarelui pentru perioade îndelungate. Acest lucru poate anula garanția. Spa-ul este prevăzut cu izolație peste carcasă și conducte. Dacă este expus direct la soare, temperatura la suprafață poate ajunge până la 200°C, ceea ce poate provoca deteriorarea spa-ului.

- **Condiții de amplasare și drenaj:** Verificați ca spa-ul să nu fie instalat într-o zonă joasă sau predispusă la inundații, deoarece acest lucru poate provoca defectare echipamentelor electrice sau poate reprezenta un pericol pentru utilizatori.
- **Pericol de electrocutare:** Similar tuturor echipamentelor electrice, utilizarea spa-ului implică un risc de șoc electric. Camera tehnică, amplasată în interiorul carcasei, conține unitatea de control care operează spa-ul și trebuie menținută permanent închisă. Dacă în camera tehnică pătrunde apă, opriți imediat alimentarea cu energie electrică și asigurați-vă că toate componentele sunt complet uscate înainte de a reporni echipamentul.
- **Temperatură:** Mențineți temperatura apei din spa sub 40°C. Temperaturile mai ridicate pot solicita excesiv sistemul cardiovascular. Dacă temperatura depășește 40°C, ieșiți imediat din spa și contactați distribuitorul. Se recomandă ca temperatura apei să nu depășească temperatura normală a corpului (aproximativ 37,5°C).
- **Afecțiuni medicale:**
 - Persoanele cu diabet, hipertensiune arterială, afecțiuni cardiace sau alte probleme cardiovasculare ar trebui să consulte un medic înainte de a utiliza spa-ul.
 - Pentru a reduce contaminarea și riscurile pentru sănătate, faceți duș cu săpun și apă înainte de a intra în spa.
 - Persoanele cu răni deschise sau orice formă de infecție, nu trebuie să folosească spa-ul.
 - Apa fierbinte poate constitui un mediu ideal pentru dezvoltarea bacteriilor, în special dacă nivelul de dezinfectant nu este menținut corespunzător.
 - Femeile însărcinate ar trebui să consulte întotdeauna medicul înainte de a utiliza un spa.
- **Timp de relaxare și răcire:** Limitați sesiunile în spa la 15-20 de minute o dată. Unele modele sunt prevăzute cu o zonă de răcire. Dacă începeți să simțiți că vă încălziți prea tare, așezați-vă în zona de răcire și lăsați-vă corpul să se răcească. După ce vă simțiți confortabil, puteți reintra treptat în apă. Statul în spa cu pieptul deasupra nivelului apei ajută la reducerea timpului necesar pentru răcorire. Evitați expunerea prelungită la apă cu temperatură peste cea normală a corpului, deoarece poate fi periculoasă.
- **Consumul de alcool și medicamente:** Consumul de alcool în sau în jurul spa-ului este extrem de periculos. Nu utilizați niciodată recipiente din sticlă în apropierea spa-ului. Alcoolul crește riscul de înec. Persoanele care urmează un tratament medicamentos ar trebui să consulte medicul înainte de a intra în spa.
- **Siguranța copiilor:** Copii nu trebuie să folosească spa-ul nesupravegheați.
- **Prevenirea alunecărilor:** Aveți grijă la intrarea și ieșirea din spa, deoarece suprafețele ude sau denivelate pot fi alunecoase. Utilizați balustradele și suprafețele antiderapante pentru a reduce riscul de cădere. În anumite cazuri, pot fi necesare trepte pentru a facilita accesul în și din spa.

185

186

Se recomandă utilizarea permanentă a capacului rigid atunci când spa-ul nu este folosit și amplasarea acestuia într-un loc protejat de condiții meteo extreme și nefavorabile. Lăsarea spa-ului neacoperit și expus poate anula garanția atât pentru spa, cât și pentru accesoriile sale.

Cerințe privind amplasarea

- Înainte de instalare, este recomandat să consultați un specialist pentru a confirma poziționarea corectă a spa-ului.
- Evitați amplasarea spa-ului în locuri unde apa ar putea pătrunde în compartimentul echipamentelor electrice. De asemenea, asigurați-vă că este protejat împotriva contactului direct cu zone foarte umede.
- Spa-ul trebuie amplasat orizontal, astfel încât întreaga bază a unității să fie pe o suprafață netedă, plană și perfect nivelată, capabilă să susțină greutatea acestuia atunci când este umplut complet cu apă, plus greutatea utilizatorilor (este necesară o capacitate portantă de 1000 kg).
- Spa-ul nu trebuie amplasat pe suprafețe curbate, moi, nisipoase sau pe blocuri.

Instalație electrică

- Alimentarea electrică a noului dumneavoastră spa trebuie realizată pe un circuit dedicat, fără ca alte aparate sau prize să partajeze aceeași sursă de energie. Deteriorările cauzate de amperaj incorect NU VOR fi acoperite de garanție. Consultați un electrician autorizat pentru realizarea conexiunii electrice.
- Asigurați-vă că noul spa este conectat corect la împământare. Sursa principală de alimentare trebuie să includă un dispozitiv de protecție diferențial de înaltă sensibilitate (RCD). Se recomandă utilizarea unui dispozitiv de protecție la scurgeri de curent de 30 mA.

Alegeți dimensiunea cablului adecvată:

Putere (kW)	2.1	2.5	2.8	3.2	3.5	4.4	5.3	6.2	7.0	7.9	8.8
Distanța până la produs											
6 - 11 metri	2.5	2.5	2.5	2.5	4	4	6	10	10	10	10
11 - 15 metri	2.5	2.5	2.5	4	4	4	6	6	10	10	10

187

188

15 – 20 de metri	4	4	4	4	6	6	10	10	10	16	16
-------------------------	---	---	---	---	---	---	----	----	----	----	----

Întreținerea spa-ului

Deținerea unui spa este o experiență plăcută, relaxantă și benefică pentru sănătate, însă este important să vă întrețineți investiția pentru a o menține eficientă și într-o stare bună, evitând astfel costurile inutile și reparații premature. Mai jos găsiți un ghid simplu, pas cu pas, pe care îl puteți urma.

Umplerea spa-ului

- Înainte de a umple spa-ul, verificați și strângeți toate conexiunile electrice active, deoarece acestea se pot slăbi în timpul transportului.
- Verificați și asigurați-vă că toate clapetele de sens sunt în poziția deschisă.
- Verificați să fie închisă bine supapa de evacuare.
- Asigurați-vă că toate duzele sunt în poziția deschisă. Rotiți în sensul acelor de ceasornic pentru a le deschide.
- Umpleți spa-ul cu apă, turnând prin filtru pentru a evita formarea de blocaje de aer în pompe.
- Umpleți cu apă până când aceasta ajunge la nivelul indicat.

Notă: Pentru a evita daunele componentelor, NU umpleți spa-ul cu apă fierbinte de peste 40°C.

Drenarea

Dacă utilizați spa-ul doar o dată sau de două ori pe săptămână, golirea apei va fi mai rară decât în cazul utilizării de trei ori sau mai mult pe săptămână. Prin urmare, se recomandă golirea spa-ului cel puțin o dată la 3 luni.

Supapa de drenaj este amplasată în partea frontală, la baza inferioară a spa-ului.

Instrucțiunile de golire sunt următoarele:

- Scoateți capacul supapei de scurgere rotindu-l în sens invers acelor de ceasornic
- Conectați furtunul la vana de scurgere (diametru furtun: ¾" sau 19,04 mm)
- Trageți și rotiți până când începe să curgă apa

Notă: Asigurați-vă că alimentarea este oprită înainte de a drenea spa-ul. Daunele cauzate de funcționarea în gol nu vor fi acoperite de garanție.

Instrucțiuni pentru panoul de control al SPA-ului

Pentru operarea panoului de control al SPA-ului, vă rugăm să consultați Manualul utilizatorului al sistemului de control și Ghidul de operare rapidă.

189

Instrucțiuni pentru jeturi

Jeturile sunt principalele componente responsabile pentru funcția de masaj. Puteți regla fluxul de apă prin rotirea feței jetului.

- Rotiți capacul jetului în sensul acelor de ceasornic aproximativ 1/4 de tură pentru a-l deschide.
- Rotiți capacul jetului în sens invers acelor de ceasornic aproximativ 1/4 de tură pentru a-l închide.

Notă: Unele jeturi și jeturi de aer nu sunt reglabile. Nu le rotiți cu forță, deoarece le puteți deteriora.

Instrucțiuni pentru controlul jeturilor de aer

- Comenzile de aer influențează presiunea jeturilor prin adăugarea de aer. Este posibil să aveți mai multe comenzi de aer pe spa, fiecare asociată unui anumit grup de jeturi. Prin deschiderea unei comenzi de aer, mai mult aer este aspirat în fluxul de apă.
- Când rotiți comanda de aer în sensul acelor de ceasornic, puterea jeturilor de masaj scade.
- Când o rotiți în sens invers acelor de ceasornic, puterea jeturilor de masaj crește.

Notă: Pentru o eficiență mai bună a încălzirii, închideți comenzile de aer. Pompa de aer poate răci temperatura apei din spa.

Instrucțiuni pentru utilizarea distribuitorului de apă

Distribuitorul de apă este componenta care reglează intensitatea masajului. Prin rotirea acestuia, se controlează fluxul de apă între jeturi. În funcție de direcția în care este rotit, se ajustează puterea masajului pentru diferite grupuri de jeturi.

ÎNTREȚINEREA ȘI GESTIONAREA APEI DIN SPA

Vă rugăm să rețineți că aceste instrucțiuni au caracter orientativ pentru menținerea calității apei din spa. Înainte de a lua orice măsură, consultați specialistul local în întreținerea spa-urilor pentru a stabili cantitatea corectă de dezinfectant și procedurile adecvate, în funcție de capacitatea spa-ului dumneavoastră.

- Nu folosiți niciodată substanțe chimice de calitate slabă sau echipamente incompatibile, deoarece acestea pot provoca deteriorări.
- Substanțele chimice nu sunt acoperite de garanție.
- Vă rugăm să testați apa cu ajutorul unui specialist cel puțin o dată pe lună. Se recomandă, de asemenea, ca utilizatorul să testeze apa săptămânal. Atunci când adăugați substanțe chimice, lăsați-le să se amestece în apă timp de 20–30 de minute și asigurați-vă că sunt complet dizolvate.

190

Efectul și reglarea pH-ului

- Un pH scăzut (sub 7,2) reduce eficiența dezinfectanților, crește riscul de coroziune a suprafețelor și componentelor și poate provoca iritații ale pielii și ochilor.
- Un pH ridicat (peste 7,6) diminuează eficiența dezinfectanților pe bază de clor; apa poate deveni tulbure, iar pe suprafețele și încălzitoarele spa-ului se pot forma depuneri.

ATENȚIE! Nivelul pH-ului măsoară aciditatea/alcalinitatea apei:

- Alcalinitate: valorile peste 7 sunt alcaline; valorile sub 7 sunt acide.
- Se recomandă un interval de pH între 7,2 și 7,6.

AVERTISMENT: Vă rugăm să vă asigurați că nivelul corect al pH-ului este menținut. Orice daune cauzate de pH-ul incorect nu vor fi acoperite de garanția spa-ului.

Reglarea pH-ului

- Verificați zilnic pH-ul apei din spa folosind testerul de pH (neinclus în pachet). Dacă pH-ul este în afara intervalului recomandat, opriți utilizarea spa-ului, așteptați două ore și efectuați o nouă testare.
- Dacă pH-ul nu revine în intervalul recomandat, lăsați pompa să funcționeze încă 2 ore și testați din nou.
- Dacă valoarea nu se încadrează nici acum în intervalul recomandat, îndepărtați capacul spa-ului și testați din nou după adăugarea substanței corespunzătoare pentru creșterea sau scăderea pH-ului/alcalinității (utilizați numai conform instrucțiunilor). Amestecați bine, apoi repetați testarea după 20 de minute.

Dezinfectarea apei

- Dezinfecția este esențială pentru distrugerea algelor, bacteriilor și altor agenți patogeni din apă. Totuși, utilizarea excesivă a dezinfectantului poate provoca iritații ale pielii și ochilor.
- Tablete de brom:** Sigure și potrivite pentru utilizare. Se plasează în pre-filtru și se dizolvă treptat.
- Verificați zilnic nivelul de brom rezidual folosind un kit de testare. Nivel ideal: 2,2–3,3 ppm.

Dezinfectarea cu ozon

- Ozonul (O₃) este un dezinfectant puternic și inodor.
- Majoritatea spa-urilor sunt echipate cu 1–2 generatoare de ozon.
- Sistemul injectează automat ozon în apa spa-ului prin intermediul jeturilor.

- Ozonul trebuie eliberat o dată pe zi. Dezinfecția cu ozon ar trebui să dureze între 1 și 2 ore, pentru a menține apa curată și sigură.
- Durata de viață a generatorului de ozon depinde de modul de utilizare și trebuie verificată periodic.

Demontarea și instalarea filtrului

Demontarea cartușului și a filtrului:

- Deschideți capacul cartușului din partea superioară.
- Scoateți capacul filtrului și rotiți în sens invers acelor de ceasornic pentru a îndepărta filtrul de hârtie.
- Pentru instalarea cartușului de filtru, urmați pașii de mai sus în ordine inversă.

Demontarea filtrelor frontale cu acces dublu:

- Îndepărtați capacul superior.
- Rotiți în sens invers acelor de ceasornic pentru a îndepărta filtrul de hârtie.
- Pentru instalarea filtrelor frontale cu acces dublu, urmați pașii de mai sus în ordine inversă.

Demontarea filtrului mare frontal cu dop de acces:

- Scoateți capacul superior.
- Rotiți în sens invers acelor de ceasornic pentru a scoate filtrul de hârtie.
- Pentru instalarea filtrului frontal cu dop de acces, urmați pașii de mai sus în ordine inversă.

Când spa-ul nu este utilizat

Dacă plecați pentru o perioadă mai lungă de 2 luni, se recomandă să opriți spa-ul și să îl goliți. Este important să lăsați capacul pus chiar și atunci când spa-ul este gol, pentru a proteja cuva. Dacă lipșiți doar câteva zile sau săptămâni, nu opriți complet spa-ul. Reduceți temperatura la 15°C, astfel încât ciclurile de filtrare să continue să funcționeze, dar fără încălzirea apei.

- 3-5 zile:** Reglați pH-ul și tratarea apei (pentru detalii, consultați secțiunea privind întreținerea apei), apoi acoperiți spa-ul. La reluarea utilizării, reglați din nou pH-ul și tratarea apei.
- 5-14 zile:** Setati temperatura la minim sau activați modul „sleep”. Reglați pH-ul și tratarea apei (pentru detalii, consultați secțiunea privind întreținerea apei), apoi acoperiți spa-ul. La reluarea utilizării, reglați din nou pH-ul și tratarea apei.
- Peste 15 zile:** Opriți alimentarea cu energie electrică, deschideți supapa de evacuare și goliți complet spa-ul. Scoateți filtrul, mențineți spa-ul uscat și acoperiți-l.

191

192

Depanare

Simptom	Cauze posibile	Soluție
Mesajul de eroare apare pe afișajul LCD, iar spa-ul se oprește din funcționare	Sistemul de control are o funcție de diagnosticare digitală, care oprește funcționarea spa-ului în cazul unei defecțiuni și îl repornește după remedierea problemei.	Verificați mesajul de eroare în manualul sistemului de control, apoi contactați distribuitorul local pentru efectuarea lucrărilor de întreținere.
Spa-ul nu pornește în niciun mod de funcționare	Alimentarea este oprită	Verificați dacă întrerupătorul de alimentare sau contactorul este pornit.
	Panoul de control este blocat	Verificați dacă panoul de control este blocat și deblocați-l, dacă este necesar
	Defecțiune a sistemului de control electric (afișajul indică un mesaj de eroare)	Verificați codul de eroare în manualul de control, apoi contactați distribuitorul pentru efectuarea întreținerii.
Spa-ul pornește automat	Funcția de filtrare este activă	Aceasta este doar o funcție automată a sistemului; nu este necesară întreținere. Sistemul se va opri automat atunci când funcția este finalizată. Nu este necesară nicio acțiune din partea utilizatorului
	Funcția de încălzire este activă	
	Funcția de protecție împotriva înghețului este activă	
Pompa de apă se oprește automat în timpul utilizării spa-ului	Timpul de funcționare al pompei a depășit durata maximă prestabilită a sistemului	Apăsăți din nou butonul pompei pentru a o reporni. Lăsați pompa să funcționeze.
	Motorul pompei este în modul de protecție la supraîncălzire	Opriti funcționarea pompei pentru mai mult de 1 oră, până când aceasta se răcește, apoi reporniți-o.
Spa-ul pornește după	Jeturile sunt închise	Verificați dacă jeturile sunt

193

umplerea completă cu apă, iar pompele de apă sunt și ele pornite, însă nu iese apă din jeturi	Pompa de apă aspiră aer	Încercați în mod repetat să porniți pompele de apă. Dacă acestea tot nu funcționează, deschideți capacul pompei de apă pentru a elibera aerul, apoi strângeți-l bine la loc. În același timp, umpleți apa prin filtru pentru a preveni aspirarea aerului în interiorul pompei de apă
Spa-ul se încălzește lent	Temperatura setată este scăzută	Resetați temperatura
	Cartușul filtrului este murdar	Curățați sau înlocuiți filtrul
	Lipsa capacului pe spa provoacă pierdere de căldură	Puneți capacul pe spa atunci când nu este utilizat
	Jetul conectat la pompa de circulație este închis	Deschideți jeturile
Puterea de masaj a jeturilor este scăzută	Încălzitorul este defect	Contactați distribuitorul local pentru efectuarea întreținerii
	Jeturile nu sunt deschise complet	Deschideți jeturile
Jeturile sunt înfundate	Jeturile sunt înfundate	Rotiți capacul jetului în sens invers acelor de ceasornic până la capăt, apoi continuați rotirea în același sens pentru a desfilata complet jetul. Verificați dacă în interiorul jetului există corpuri străine.
	Supapa de aer închisă	Deschideți comutatorul supapei de aer.
	Supapa de apă este închisă, împiedicând apa să iasă din jeturi	Rotiți supapele care reglează jeturile de apă.

194

Supapa de control a pompei de apă nu este complet deschisă	Verificați dacă supapa pompei de apă este complet deschisă.
Jetul care stropește apa este uneori puternic, alteori slab	Verificați dacă în orificiul de aspirație sau în filtru există corpuri străine și îndepărtați-le. Verificați dacă ambele supape ale pompei de apă sunt complet deschise.

Utilizarea altor produse chimice speciale

Pe lângă reglarea pH-ului și metodele dezinfectare menționate anterior, există produse de curățare care pot fi folosite în apa spa-ului:

- **ANTI-CALCAR:** Se utilizează pentru prevenirea sau reducerea depunerilor de săruri de calciu (piatră), în special în zonele cu apă dură. Se folosește o dată pe săptămână și ori de câte ori apa este schimbată.
- **ALGICID PENTRU SPA:** Previne dezvoltarea algelor în apă. Se folosește o dată pe săptămână și ori de câte ori apa este schimbată.
- **ANTISPUMANT:** Previne formarea spumei în apă. Se folosește o dată pe săptămână și ori de câte ori apa este schimbată.

AVERTISMENT

Adăugați în apă exact cantitățile specificate. Nu amestecați produsele pentru a evita posibile reacții chimice. Nu fumați în timpul manipulării acestor produse – pot fi inflamabile. Nu adăugați produse chimice în apă dacă există persoane în spa. Păstrați recipientele bine închise, în locuri uscate și bine ventilate, și țineți aceste produse departe de copii. Nu inhalați produsele chimice și evitați contactul acestora cu ochii, nasul sau gura. Spălați-vă pe mâini după utilizare. În caz de accident sau ingerare, urmați instrucțiunile de urgență de pe eticheta produsului.

Curățarea și întreținerea spa-ului

Deținerea unui spa este relaxantă și benefică, însă, mai important, este necesar să îl întrețineți corespunzător pentru a-i menține buna funcționare și eficiența, evitând astfel reparații premature și costuri inutile. Mai jos este prezentată o procedură simplă, pas cu pas, pe care o puteți urma.

Curățarea și întreținerea suprafeței spa-ului

Suprafața spa-ului este realizată din acril lucios. Aceasta trebuie menținută curată. Vă recomandăm să curățați suprafața exterioară a spa-ului o dată pe săptămână și să curățați întregul spa după golire. Pașii detaliați sunt prezentați mai jos:

- Curățați murdăria cu un prosop umed. Puteți folosi un detergent neutru și un prosop moale. Nu utilizați detergenți care conțin cetonă sau apă clorinată.
- Dacă pe suprafață există zgârieturi fine, șlefuiți ușor cu hârtie abrazivă de granulație 2000 și aplicați pastă de dinți, apoi lustruiți din nou cu un prosop moale.
- Nu curățați suprafața spa-ului cu soluții chimice, solvenți sau unelte abrazive. Nu zgâriați suprafața spa-ului cu materiale dure sau cuțite.
- Nu curățați suprafața spa-ului cu oă, dizolvant pentru oă, soluții pentru curățare chimică, acetonă, decapant pentru vopsea etc., deoarece acestea pot deteriora suprafața.
- Nu lăsați mucusurile de țigară sau sursele de căldură peste 70°C să atingă suprafața spa-ului.

Întreținerea panoului de control

- Nu atingeți panoul de control cu obiecte dure pentru a evita zgârieturile.
- Evitați expunerea directă a panoului de control la razele soarelui.
- Păstrați panoul de control uscat atunci când spa-ul nu este utilizat.

Întreținerea pernei

- Curățați perna cu un detergent neutru.
- Detergenții cu conținut ridicat de clor și expunerea la ozon pot provoca decolorarea pernei. Scoateți perna după utilizarea spa-ului. Manevrați cu grijă, deoarece nu este acoperită de garanție.

Întreținerea capacului spa-ului

- Curățați capacul cu apă și săpun, având grijă ca apa cu săpun să nu ajungă în interiorul spa-ului.
- Nu apucați și nu trageți de îmbinarea din mijlocul capacului, deoarece se poate deteriora ușor.
- Nu vă așezați, nu vă întindeți și nu săriți pe capac. Deteriorările cauzate de aceste acțiuni pot să nu fie acoperite de garanție.

Notă: Vă rugăm să acoperiți spa-ul după utilizare sau curățare. Lăsarea spa-ului neacoperit și expus poate anula garanția pentru spa și accesoriile acestuia.

Întreținerea filtrului

195

196

Curățați filtrele în mod regulat. O dată pe săptămână, scoateți filtrele și îndepărtați resturile din acestea folosind un furtun cu presiune ridicată. O dată pe lună, înmuiați filtrele într-o soluție de curățare pentru cartușe filtrante, apoi clătiți-le cu un furtun cu presiune ridicată.

Curățarea filtrului

1. Opriti alimentarea cu energie electrică.
2. Scoateți cartușul; citiți instrucțiunile pentru demontarea filtrului înainte de a face acest lucru.
3. Îndepărtați filtrul din cartuș rotindu-l în sens invers acelor de ceasornic.
4. Curățați cartușul cu apă până când nu mai rămân depuneri.
5. Pulverizați apă pe filtrul de sus în jos, la un unghi de 45° (consultați fotografiile din partea dreaptă).
6. Montați filtrul și cartușul după curățare.
7. Porniți alimentarea cu energie electrică.

Avertisment: Atunci când scoateți filtrele, asigurați-vă ÎNTOTDEAUNA că alimentarea cu energie electrică a spa-ului este oprită înainte de a face acest lucru. Dacă lăsați alimentarea pornită și în pompă sau încălzitor ajunge vreun corp străin, provocând defectarea acestora, defectiunea nu va fi acoperită de garanție.

Performanța și acoperirea garanției

Compania noastră oferă o garanție limitată de 2 ani, care acoperă defectele de fabricație și defecțiunile atribuite direct proiectării produsului, materialelor sau execuției. Această garanție se aplică exclusiv produselor utilizate în scop privat, personal și necomercial.

Toate reparațiile sau înlocuirile nu extind și nu reînnoiesc perioada de garanție inițială. Aceasta este o garanție care acoperă doar piesele, cu excepția cazului în care se specifică altfel în scris. Pentru orice reclamație de garanție legată de daune de transport, acestea trebuie raportate în termen de 24 de ore de la livrare, cu documentație și fotografii corespunzătoare, confirmate de șoferul de livrare. Orice încercare neautorizată de reparație sau nerespectarea procedurii descrise poate anula garanția.

Următoarele elemente sunt excluse în mod specific de la acoperirea garanției:

- Orice deteriorare rezultată din utilizarea sau întreținerea necorespunzătoare, contrar instrucțiunilor din manualul utilizatorului.
- Deteriorări cauzate de factori umani.
- Orice modificare adusă produsului fără autorizarea producătorului.
- Deteriorări sau decolorări ale suprafeței cuvei cauzate de agenți de curățare corozivi sau necorespunzători.

- Deteriorări rezultate din transport sau depozitare necorespunzătoare.
- Deteriorări cauzate de forțe majore.
- Decolorarea naturală în timp.

Garanție limitată: Producătorul își rezervă dreptul de interpretare finală.

Notă - Declarație specială: Garanția limitată este valabilă începând cu data finalizării producției de către producător.

Declarație de Performanță

1. Cod unic de identificare al tipului de produs:
Numărul produsului (vezi partea de jos a paginii).
2. Utilizare prevăzută:
SPA pentru uz casnic, pentru wellness/igienă personală
3. Importator:
Beliani GmbH
Haldenstrasse 5
6340 Baar
Elveția
Telefon +41 43 5082233
4. Reprezentant autorizat: %
5. Sistem pentru evaluarea și verificarea menținerii performanței: Sistemul 1
 - a. Standarde armonizate:
EN55014-1:2006/+A1:2009/+A2:2011
EN55014-2:2015 EN61000-3-12:2011
EN61000-3-11:2000
Directiva EMC (2014/30/UE)
EN60335-2-60:2003+A1:2005+A2:2008+A11:2010+A12:2010
EN60335-1:2012+AC:2014+A11:2014
EN62233:2008
Directiva privind tensiunea joasă (2014/35/UE)
 - b. Documente de evaluare european: %
Evaluare Tehnică Europeană: %
Organismul de evaluare Tehnică: %
Organism notificat: %

6. Performanțe declarate:

Caracteristici esențiale	Performanță	Specificatii tehnice armonizate
Siguranța utilizatorului	Conform	EN 60335-2

197

198

Funcționare (normală și anormală)	Conform	EN 60335-1 EN 62233
Directiva de joasă tensiune	Conform	
Compatibilitate electromagnetică (EMC)	Conform	EN 55014-1 EN 55014-2 EN 61000-3-12 EN 61000-3-11

7. Documentație tehnică corespunzătoare sau documentație tehnică specifică:

Raport nr: 60445226 001 TÜV Rheinland

Raport nr: 60445226 001 TÜV Rheinland

Performanța produsului menționat mai sus este conformă cu performanțele declarate. Importatorul menționat mai sus este singurul responsabil pentru întocmirea Declarației de performanță în conformitate cu Regulamentul (UE) nr. 305/2011.

Anexă

Numărul articol	Tip articol
37979 (E-351S) CALIMA	Jacuzzi SPA
37981 (M-530D) VILLARRICA	Jacuzzi SPA
37983 (E-310S) MARFIL	Jacuzzi SPA

Semnat pentru și în numele importatorului de către:

Michael Widmer, Director General



6340 Baar, 20.05.2024

Español (ES)



Instrucciones de uso:

Es importante leer este manual de instrucciones con atención antes de utilizar el producto.

Con una instalación y un mantenimiento correctos, la bañera de hidromasaje ofrecerá muchos años de disfrute y relajación. Este manual ha sido diseñado para proporcionar toda la información esencial sobre la preparación, instalación, mantenimiento y funcionamiento de la nueva bañera de hidromasaje. Por favor, dedicar tiempo a leer todo el manual para garantizar que la bañera de hidromasaje se utiliza de forma correcta y segura.

Funciones principales y características del producto:

- **Función de hidroterapia:** La bañera de hidromasaje está equipada con asientos especiales para hidroterapia, diseñados ergonómicamente para sostener el cuerpo. Se puede graduar la presión del masaje modificando los ajustes del masaje, el desviador de agua y el regulador de aire.
- **Función de terapia con soplador de aire:** Al activar el soplador de aire, se libera un gran volumen de burbujas de aire a través de chorros de aire especialmente diseñados, creando una experiencia de masaje burbujeante que es a la vez terapéutica y divertida.
- **Función de calefacción:** La bañera de hidromasaje calienta el agua y permite a los usuarios ajustar la temperatura deseada. El sistema de calefacción mantiene esta temperatura, garantizando su utilización durante todo el año.
- **Función de filtrado y circulación:** La bañera de hidromasaje cuenta con un sistema de filtración con filtro integrado y esterilización por ozono. Mientras filtra las impurezas, el sistema activa automáticamente el ciclo de filtrado para eliminar las bacterias utilizando el ozono generado por la unidad de ozono.
- **Iluminación:** La iluminación LED subacuática potencia el ambiente de la bañera de hidromasaje. Controlado a través del panel, el sistema de iluminación no solo ilumina el agua, sino que también crea una atmósfera romántica y relajante.

Información importante: Todas las funciones mencionadas anteriormente son descripciones generales de nuestras bañeras de hidromasaje. Las características específicas de cada bañera pueden variar. Por favor, confirmar los detalles antes de realizar la compra. El fabricante se reserva el derecho de modificar o mejorar los productos sin previo aviso y sin incurrir en ninguna obligación.

199

200

Instrucciones importantes

Es fundamental familiarizarse con los procedimientos generales de seguridad y tratamiento del agua de la bañera de hidromasaje. Por favor, asegurarse de entender la siguiente información:

- **Requerimiento de drenaje:** Asegurarse de que la bañera de hidromasaje no se instale en una zona baja o propensa a inundaciones, ya que esto podría provocar fallos en el equipo eléctrico o suponer un peligro para los usuarios de la bañera.
- **Riesgo de descarga eléctrica:** Al igual que con todos los aparatos eléctricos, existe riesgo de descarga eléctrica. La unidad de motor, situada dentro de la carcasa, alberga la unidad de control que maneja la bañera de hidromasaje. Esta carcasa debe permanecer siempre cerrada. Si entra agua en la unidad de motor, apagar la bañera de hidromasaje en la fuente de alimentación y asegurarse de que todos los componentes estén completamente secos antes de intentar volver a encenderla.
- **Temperatura:** Mantener la temperatura del agua de la bañera de hidromasaje por debajo de los 40 °C. Las temperaturas más altas pueden sobrecargar el sistema cardiovascular. Si la temperatura supera los 40 °C, salir de la bañera de hidromasaje y ponerse en contacto con el distribuidor inmediatamente. Se recomienda que la temperatura del agua no supere la temperatura corporal normal (aproximadamente 37,5 °C).
- **Condiciones médicas:**
 - Las personas con diabetes, hipertensión arterial, afecciones cardíacas u otros problemas cardiovasculares deben consultar a un médico antes de utilizar la bañera de hidromasaje.
 - Para reducir la contaminación y los riesgos para la salud, es necesario ducharse con agua y jabón antes de entrar en la bañera de hidromasaje.
 - Las personas con heridas abiertas o cualquier tipo de infección no deben utilizar la bañera de hidromasaje.
 - El agua caliente puede convertirse en un medio propicio para las bacterias, especialmente si no se mantienen los niveles adecuados de desinfectante.
 - Las mujeres embarazadas deben consultar siempre a su médico antes de utilizar una bañera de hidromasaje.
- **Tiempo de inmersión y enfriamiento:** Las sesiones en la bañera de hidromasaje deben limitarse a 15-20 minutos cada vez. Algunas bañeras de hidromasaje tienen un asiento refrigerante. En el caso de sentir demasiado calor, sentarse en el asiento refrigerante y dejar que el cuerpo se enfríe. Una vez que el cuerpo se sienta cómodo, se puede volver a entrar lentamente en el agua. Sentarse en una bañera de hidromasaje con el pecho por encima del nivel del agua ayuda a reducir el tiempo necesario para enfriarse. Evitar la exposición prolongada al agua por encima de la temperatura corporal normal, ya que puede ser peligroso.
- **Consumo de alcohol y medicamentos:** Consumir alcohol dentro o cerca de la bañera de hidromasaje es muy peligroso. Nunca utilizar recipientes de vidrio cerca de la bañera de

201

- Todos los equipos de bañeras de hidromasajes portátiles requieren ventilación. No bloquear las rejillas de ventilación de la carcasa.
- Colocar la bañera de hidromasaje lejos de los árboles para evitar que las hojas bloqueen el filtro.

Nota importante:

No dejar la bañera de hidromasaje expuesta a la luz solar directa durante periodos prolongados. Esto podría anular la garantía. La bañera de hidromasaje incluye aislamiento en la carcasa y las tuberías. Si se expone a la luz solar directa, la temperatura de la superficie puede alcanzar los 200 °C, lo que podría dañar la bañera de hidromasaje.

Se recomienda utilizar siempre la cubierta rígida cuando la bañera de hidromasaje no esté en uso y colocarla en un lugar protegido de condiciones climáticas extremas y adversas. Dejar la bañera de hidromasaje sin cubrir y expuesta podría anular la garantía de la bañera y sus accesorios.

Requisitos de colocación

- Antes de la instalación, es recomendable consultar a un profesional para confirmar la colocación adecuada de la bañera de hidromasaje.
- Evitar colocar la bañera de hidromasaje en lugares donde el agua pueda inundar el compartimento del equipo eléctrico. Asegurarse también de que esté protegida del contacto directo con zonas muy húmedas.
- Colocar la bañera de hidromasaje en posición horizontal, asegurándose de que toda la base de la unidad se encuentre sobre una superficie lisa, plana y nivelada capaz de soportar el peso cuando esté completamente llena de agua, más el peso de los bañistas (requiere una capacidad de peso de 1000 kg).
- La bañera de hidromasaje no debe colocarse sobre una superficie curva, blanda, arenosa o sobre bloques.

Instalación eléctrica

- El suministro eléctrico de la nueva bañera de hidromasaje debe estar conectado a un circuito específico, sin otros aparatos ni enchufes que compartan la potencia. Los daños causados por un amperaje incorrecto NO estarán cubiertos por la garantía. Consultar a un electricista cualificado para la conexión eléctrica.
- Asegurarse de que la nueva bañera de hidromasaje esté correctamente conectada a tierra. La fuente de alimentación principal debe incluir un dispositivo de corriente residual (RCD) de alta sensibilidad. Se recomienda un protector contra fugas de 30 mA.

203

hidromasaje. El alcohol aumenta el riesgo de ahogamiento. Cualquier persona que esté tomando medicamentos debe consultar a su médico antes de entrar en la bañera de hidromasaje.

- **Seguridad infantil:** Los niños no deben utilizar la bañera de hidromasaje sin supervisión.
- **Evitar resbalones:** Hay que tener cuidado al entrar y salir de la bañera de hidromasaje, ya que las superficies mojadas o irregulares pueden ser resbaladizas. Utilizar barandillas y superficies antideslizantes para reducir el riesgo de caídas. En algunos casos, puede ser necesario instalar escalones para facilitar la entrada y la salida.
- **Aparatos eléctricos:** Nunca colocar ningún aparato eléctrico a menos de 2 metros de la bañera de hidromasaje.
- **Condiciones meteorológicas:** No utilizar ni poner en funcionamiento la bañera de hidromasaje en condiciones meteorológicas adversas, como tormentas eléctricas o ciclones.
- **Ventilación:** Si la zona de la bañera de hidromasaje no está bien ventilada, los usuarios pueden sufrir irritación de garganta. Asegurarse de que la bañera de hidromasaje esté instalada en una zona bien ventilada, especialmente si está cerrada.
- **Productos químicos:** Los productos químicos son esenciales para mantener el agua limpia, prevenir el desarrollo bacteriano y prolongar la vida útil de la bañera de hidromasaje y sus componentes. Sin embargo, cuando se utilizan en forma concentrada (como ciertos productos químicos domésticos), pueden ser peligrosos. Manipular siempre los productos químicos para bañeras de hidromasaje con cuidado y seguir las instrucciones de seguridad. Consultar la etiqueta del producto y la documentación de seguridad. En la sección Gestión de productos químicos se ofrece información más detallada sobre el uso seguro de los productos químicos.

Instalación de la bañera de hidromasaje

Recurrir siempre a un profesional cualificado para instalar la bañera de hidromasaje. El fabricante no se hace responsable de los daños causados por una instalación incorrecta o por trabajos realizados por personas no cualificadas.

Ubicación y colocación de la bañera de hidromasaje

- La bañera de hidromasaje debe colocarse de manera que se facilite el acceso para su mantenimiento y reparación. La mayoría de los equipos se encuentran en la parte delantera de la bañera y deben permanecer accesibles para su conexión a la red eléctrica y su mantenimiento.
- Se recomienda dejar al menos 1,2 metros de espacio libre alrededor de los cuatro lados de la bañera de hidromasaje para facilitar el acceso en el futuro.
- El propietario es responsable de garantizar que la instalación se haya completado correctamente antes de comenzar a utilizar la bañera.

202

Por favor, seleccionar un tamaño de cable adecuado:

Potencia (KW)	2.1	2.5	2.8	3.2	3.5	4.4	5.3	6.2	7.0	7.9	8.8
Distancia del producto											
6 - 11 metros	2.5	2.5	2.5	2.5	4	4	6	10	10	10	10
11 - 15 metros	2.5	2.5	2.5	4	4	4	6	6	10	10	10
15 - 20 metros	4	4	4	4	6	6	10	10	10	16	16

Mantenimiento de la bañera de hidromasaje

Tener una bañera de hidromasaje es agradable, relajante y terapéutico, pero es importante mantener esta inversión para garantizar que siga siendo rentable y esté en buen estado, evitando así gastos de reparación innecesarios y prematuros. A continuación, ofrecemos una sencilla guía paso a paso.

Llenar la bañera de hidromasaje

1. Antes de llenar la bañera de hidromasaje, comprobar y apretar todos los conectores activos, ya que pueden aflojarse durante el transporte.
2. Comprobar y asegurarse de que todas las válvulas de retención estén en posición abierta.
3. Comprobar que la válvula de drenaje esté cerrada.
4. Asegurarse de que todos los chorros estén abiertos. Girar en sentido horario para abrir los chorros.
5. Llenar la bañera de hidromasaje con agua. Llenar a través del filtro para evitar bloqueos de aire en las bombas.
6. Llenar con agua hasta alcanzar el nivel requerido.

Nota: Para evitar daños en los componentes, NO llenar la bañera de hidromasaje con agua caliente a más de 40 °C.

Drenaje de la bañera de hidromasaje

En caso de utilizar la bañera de hidromasaje solo una o dos veces por semana, el drenaje será menos frecuente que para quienes la utilizan tres o más veces por semana. Por lo tanto, se recomienda drenar la bañera de hidromasaje al menos cada tres meses.

204

La válvula de drenaje se encuentra en la parte delantera de la base inferior. Las instrucciones de drenaje son las siguientes:

1. Retirar la tapa de la válvula de drenaje girándola en sentido antihorario.
2. Conectar la manguera a la válvula de drenaje (diámetro de la manguera: 3/4" o 19,04 mm).
3. Tirar y desenroscar hasta que empiece a salir agua.

Note: Asegurarse de que la alimentación eléctrica esté desconectada antes de drenar. Los daños causados por el funcionamiento en seco no estarán cubiertos por la garantía.

Instrucciones del panel de control de la bañera de hidromasaje

Para el funcionamiento del panel de control de la bañera de hidromasaje, consultar el Manual del usuario del sistema de control y la Guía rápida de funcionamiento.

Instrucciones sobre los chorros

Los chorros son los componentes principales responsables del masaje. Se puede ajustar el caudal de agua girando la boquilla del chorro.

- Girar la tapa del chorro aproximadamente un cuarto de vuelta en sentido horario para abrir los chorros.
- Girar la tapa del chorro aproximadamente un cuarto de vuelta en sentido antihorario para cerrar los chorros.

Nota: Algunos chorros y chorros de aire no son ajustables. No girar estos chorros con fuerza, ya que podrían dañarse.

Instrucciones para los controles de los chorros de aire

- Los controles de aire afectan a la presión de los chorros añadiendo aire. Es posible que la bañera de hidromasaje tenga más de un control de aire, cada uno de los cuales estará asociado a un grupo específico de chorros. Al abrir un control de aire, se introducirá más aire en el flujo de agua.
- Cuando se gira el control de aire en sentido horario, se reduce la potencia de los chorros de masaje.
- Cuando se gira en sentido antihorario, se aumenta la potencia de los chorros de masaje.

Nota: Para una mayor potencia de calentamiento, desactivar los controles de aire. El soplador de aire puede enfriar la temperatura del agua de la bañera de hidromasaje.

Instrucciones del desviador de agua

El desviador de agua es la pieza que ajusta la potencia del masaje. Al girar el desviador de agua se controla el flujo de agua entre los chorros. Al girarlo se ajusta la potencia del masaje de los diferentes grupos de chorros.

GESTIÓN Y MANTENIMIENTO DEL AGUA DE LA BAÑERA DE HIDROMASAJE

Atención: estas instrucciones son solo una guía general para mantener la calidad del agua de la bañera de hidromasaje. Antes de hacer nada, consultar con un especialista local en bañeras de hidromasaje para saber qué cantidad de desinfectante usar y cuáles son los procedimientos adecuados según la capacidad de la bañera.

- Nunca se deben utilizar productos químicos de baja calidad ni equipos incompatibles, ya que esto podría provocar daños.
- Los productos químicos no están cubiertos por la garantía.
- Se recomienda que un profesional analice el agua al menos una vez al mes. También se recomienda que el usuario analice el agua semanalmente. Al añadir productos químicos, mezclarlos con agua durante 20-30 minutos y asegurarse de que todas las sustancias se disuelvan completamente.

El efecto y el ajuste del pH

- Un pH bajo (por debajo de 7,2) hace que los desinfectantes funcionen mal, aumenta el riesgo de corrosión de las superficies y los componentes, y puede causar irritación en la piel y los ojos.
- Si el pH es alto (por encima de 7,6), los desinfectantes a base de cloro pierden eficacia; el agua puede volverse turbia y pueden aparecer incrustaciones en las superficies de la bañera de hidromasaje y los calentadores.

¡ATENCIÓN! El nivel de pH mide la acidez/alcalinidad del agua:

- Alcalinidad: los valores superiores a 7 son alcalinos; los inferiores a 7 son ácidos.
- Se recomienda un rango de pH entre 7,2 y 7,6.

ADVERTENCIA: Asegurarse de mantener el nivel de pH correcto. Cualquier daño causado por un pH incorrecto no estará cubierto por la garantía de la bañera de hidromasaje.

Ajuste del pH

- Comprobar diariamente el pH del agua de la bañera de hidromasaje con un medidor de pH (no incluido). Si el pH está fuera del rango recomendado, no utilizar la bañera de hidromasaje. Esperar dos horas y volver a comprobarlo.
- Si el pH sigue siendo incorrecto, poner en marcha la bomba durante 2 horas más y volver a comprobarlo.

205

206

- Si sigue siendo incorrecto: destapar la cubierta de la bañera de hidromasaje y volver a realizar la prueba después de añadir el producto químico adecuado para el pH o la alcalinidad/acidificación (utilizar solo según las instrucciones). Mezclar bien y volver a realizar la prueba después de 20 minutos.

Desinfección del agua

- La desinfección es fundamental para destruir las algas, bacterias y otros patógenos presentes en el agua. Sin embargo, el uso excesivo de desinfectantes puede provocar irritación en la piel y los ojos.
- **Pastillas de bromuro:** Seguras y aptas para su uso. Colocar en el prefiltro; se disuelven gradualmente.
- Comprobar diariamente los niveles residuales de bromuro con un kit de prueba. Niveles ideales: 2,2-3,3 ppm.

Desinfección con ozono

- El ozono (O₃) es un desinfectante potente e inodoro.
- La mayoría de las bañeras de hidromasaje están equipadas con 1-2 generadores de ozono.
- El sistema inyecta automáticamente ozono en el agua de la bañera a través de los chorros.
- El ozono debe liberarse una vez al día. Se recomienda realizar la desinfección con ozono una vez al día, con una duración de 1-2 horas.
- La vida útil del generador de ozono depende del uso y debe comprobarse periódicamente.

Extracción e instalación del filtro

Extracción del cartucho y el filtro:

- Abrir la tapa del cartucho en la parte superior.
- Retirar la tapa del filtro y girar en sentido antihorario para extraer el filtro de papel.
- Para instalar el filtro de cartucho, seguir estos pasos en orden inverso.

Extracción de los filtros de doble acceso frontal:

- Levantar el panel frontal; sacar la pantalla hacia un lado.
- Girar en sentido antihorario para extraer el filtro de papel.
- Para instalar los filtros de doble acceso frontal, seguir estos pasos en orden inverso.

Extracción del filtro de tapón de acceso frontal grande:

- Retirar la tapa superior.

- Girar en sentido antihorario para extraer el filtro de papel.
- Para instalar el filtro de tapón de acceso frontal, seguir estos pasos en orden inverso.

Cuando no se utilice la bañera de hidromasaje

En caso de ausentarse por un período superior a dos meses, se recomienda apagar la bañera de hidromasaje y vaciarla. Es importante recordar dejar la cubierta colocada, incluso cuando esté vacía, para proteger la carcasa. En caso de ausentarse por unos días o semanas, no apagar la bañera de hidromasaje por completo. Bajar la temperatura a 15 °C, de modo que los ciclos de filtración sigan funcionando, pero la bañera no se caliente.

- **3-5 días:** Ajustar el pH y el tratamiento del agua (para más detalles, consultar la sección de mantenimiento del agua), cubrir la bañera de hidromasaje. Ajustar el pH y el tratamiento del agua cuando se vuelva a utilizar la bañera de hidromasaje.
- **5-14 días:** Ajustar la temperatura más baja o el modo de reposo. Ajustar el pH y el tratamiento del agua (para más detalles, consultar la sección de mantenimiento del agua) y cubrir la bañera de hidromasaje. Ajustar el pH y el tratamiento del agua cuando se vuelva a utilizar la bañera de hidromasaje.
- **Más de 15 días:** Apagar la alimentación eléctrica, abrir la válvula de drenaje y vaciar completamente la bañera de hidromasaje. Retirar el filtro, mantener la bañera seca y cubrirla.

Solución de problemas

Problema	Posibles causas	Solución
Aparece un mensaje de error en la pantalla LCD; la bañera de hidromasaje deja de funcionar	El sistema de control tiene una función de diagnóstico digital que dejará de funcionar si hay algún problema en la bañera de hidromasaje, y se reiniciará cuando se resuelva el problema	Consultar el mensaje de error en el manual del sistema de control y, a continuación, ponerse en contacto con el distribuidor local para que realice el mantenimiento
La bañera de hidromasaje no se inicia en ningún modo	No hay corriente	Comprobar si el interruptor de alimentación o el contactor están encendidos
	El panel de control está bloqueado	Comprobar si el panel de control está bloqueado y desbloquearlo si es necesario
	Fallo del control eléctrico (la	Comprobar el código de

207

208

	pantalla muestra un mensaje de error)	avería en el manual de control y ponerse en contacto con el distribuidor para que realice el mantenimiento
La bañera de hidromasaje se abre automáticamente	La función de filtración está en funcionamiento	Se trata simplemente de una función automática del sistema; no requiere mantenimiento. El sistema dejará de funcionar automáticamente cuando la función haya finalizado. No es necesaria ninguna acción por parte del usuario
	La función de calefacción está en funcionamiento	
	La función anticongelante está en funcionamiento	
La bomba de agua se apaga automáticamente cuando se utiliza la bañera de hidromasaje	El tiempo de funcionamiento de la bomba es superior al tiempo máximo de funcionamiento predeterminado del sistema	Volver a pulsar el botón de la bomba para reiniciarla. Dejar funcionar la bomba
	El motor de la bomba se encuentra en modo de protección contra sobrecalentamiento	Detener la bomba durante más de 1 hora hasta que se haya enfriado y, a continuación, volver a ponerla en marcha
La bañera de hidromasaje se enciende después de llenarse completamente de agua, luego las bombas de agua también se encienden, pero no sale agua por los chorros	Los chorros están cerrados	Comprobar si los chorros están cerrados; si es así, abrílos
	La bomba de agua está aspirando aire	Intentar repetidamente poner en marcha las bombas de agua. Si siguen sin funcionar, abrir la tapa de la bomba de agua para liberar el aire y, a continuación, atornillarla firmemente. Mientras tanto, llenar el agua a través del filtro para evitar que el interior de la bomba de agua aspire aire
La bañera se está calentando lentamente	Temperatura baja ajustada	Reajustar la temperatura

	El cartucho del filtro está sucio	Limpiar o sustituir el filtro
	No hay cubierta en la bañera de hidromasaje, lo que provoca pérdida de calor	Cubrir la bañera de hidromasaje cuando no se utilice
	El chorro conectado a la bomba de circulación está cerrado	Abrir los chorros
	El calentador está averiado	Ponerse en contacto con el distribuidor local para que realice el mantenimiento
La potencia de masaje de los chorros es baja	Los chorros no están completamente abiertos	Abrir los chorros
	Los chorros están obstruidos	Girar la tapa de los chorros en sentido antihorario hasta el final y, a continuación, forzarla en sentido antihorario para sacar los chorros en espiral. Comprobar si hay cuerpos extraños dentro de los chorros
	La válvula de aire está cerrada	Abrir el interruptor de la válvula de aire
	La válvula de agua está cerrada, lo que impide que salga agua por los chorros	Girar las válvulas, regulando los chorros de agua
	La válvula de control de la bomba de agua no está completamente abierta	Comprobar si la válvula de la bomba de agua está completamente abierta
El chorro de agua a veces es fuerte y otras veces débil	Las succiones o el filtro están obstruidos. La válvula de control de la bomba de agua no está completamente abierta	Comprobar si hay cuerpos extraños en la succión o el filtro y retirarlos. Comprobar si las dos válvulas de la bomba de agua están completamente abiertas

209

210

Aplicación de otros productos químicos especiales

Además del ajuste del pH y los métodos de desinfección mencionados anteriormente, existen algunos productos de limpieza que se pueden utilizar en el agua de las bañeras de hidromasaje:

- **ANTICAL:** Se puede utilizar para prevenir/reducir la precipitación de sales de calcio (cal), especialmente en zonas con agua dura. Utilizar una vez a la semana y cada vez que se renueve el agua.
- **ALGUICIDA PARA BAÑERAS:** Evita que crezcan algas en el agua. Utilizar una vez a la semana y cada vez que se renueve el agua.
- **ANTIESPUMANTE:** Evita la formación de espuma en el agua. Utilizar una vez a la semana y cada vez que se renueve el agua.

ADVERTENCIA

Añadir las cantidades exactas al agua, tal y como se especifica. No mezclar productos para evitar posibles reacciones. No fumar mientras se manipulan estos productos, ya que pueden ser inflamables. No añadir productos químicos al agua si hay alguien en la bañera de hidromasaje. Mantener los envases bien cerrados en lugares secos y bien ventilados, y mantener estos productos fuera del alcance de los niños. No inhalar productos químicos y tener cuidado de que no entren en contacto con los ojos, la nariz o la boca. Lavarse las manos después de su uso. Seguir las instrucciones de emergencia que figuran en la etiqueta del producto en caso de accidente o ingestión.

Limpieza y mantenimiento de la bañera de hidromasaje

Tener una bañera de hidromasaje es relajante y terapéutico, pero lo más importante es cuidarla adecuadamente para mantenerla en buen estado y ahorrar dinero, evitando así gastos innecesarios en reparaciones prematuras. A continuación se detalla un sencillo procedimiento paso a paso a seguir.

Limpieza y mantenimiento de la superficie de la bañera de hidromasaje

La superficie de la bañera de hidromasaje está fabricada en acrílico de alto brillo. Debe mantenerse limpia. Recomendamos limpiar la superficie exterior de la bañera una vez a la semana y limpiar toda la bañera después de vaciarla. A continuación se detallan los pasos a seguir:

- Limpiar la suciedad con una toalla húmeda. Se puede utilizar un detergente neutro y una toalla suave. No usar detergentes que contengan cetona o agua clorada.
- Si la superficie tiene algunos arañazos leves, pulirla con papel de lija de grano 2000 y retocarla con pasta de dientes, luego volver a pulirla con una toalla suave.
- No limpiar la superficie de la bañera de hidromasaje con soluciones químicas, disolventes ni herramientas abrasivas. No rayar la superficie de la bañera de hidromasaje con materiales duros ni cuchillos.

- No limpiar la superficie de la bañera de hidromasaje con esmalte de uñas, quitaesmalte, líquido de limpieza en seco, acetona, quitapinturas, etc., ya que se dañaría la superficie.
- No deben entrar en contacto con la bañera de hidromasaje colillas ni fuentes de calor superiores a 70 °C.

Mantenimiento del panel de control

- No tocar el panel de control con objetos duros para evitar rayaduras.
- Evitar la exposición directa al sol del panel de control.
- Mantener el panel de control seco cuando no se utilice la bañera de hidromasaje.

Mantenimiento del cojín

- Limpiar el cojín con detergente neutro.
- El uso excesivo de detergentes con cloro y el ozono pueden provocar la decoloración del cojín. Retirar el cojín después de utilizar la bañera de hidromasaje. Manipularlo con cuidado, ya que no está cubierto por la garantía.

Mantenimiento de la cubierta de la bañera de hidromasaje

- Limpiar la cubierta con agua jabonosa. Asegúrese de que el agua jabonosa no entre en la bañera de hidromasaje.
- No agarrar ni tirar del eslabón situado en el centro de la cubierta, ya que se rompe con facilidad.
- No sentarse, tumbarse ni saltar sobre la cubierta. Los daños causados por estas acciones podrían no estar cubiertos por la garantía.

Nota: Cubrir la bañera de hidromasaje después de su uso o limpieza. Dejar la bañera de hidromasaje sin cubrir y expuesta puede anular la garantía de la bañera y sus accesorios.

Mantenimiento del filtro

Se recomienda limpiar los filtros con regularidad. Una vez a la semana, se deben retirar los filtros y eliminar los residuos con una manguera de alta presión. Una vez al mes, sumergir los filtros en una solución limpiadora para filtros de cartucho y, a continuación, enjuagarlos con una manguera de alta presión.

Limpieza del filtro

1. Desconectar la alimentación eléctrica.
2. Retirar el cartucho; antes de hacerlo, leer las instrucciones para retirar el filtro.
3. Retirar el filtro del cartucho girándolo en sentido antihorario.
4. Limpiar el cartucho con agua hasta que no queden restos.

211

212

- Rociar el filtro con agua, de arriba abajo, en un ángulo de 45° (Consultar las fotos de la derecha).
- Instalar el filtro y el cartucho después de limpiarlos.
- Conectar la alimentación eléctrica.

Advertencia: Cuando se retiren los filtros, asegurarse SIEMPRE de que la alimentación eléctrica de la bañera de hidromasaje esté desconectada antes de hacerlo. Si se deja la alimentación eléctrica conectada y algo entra en la bomba o el calentador, provocando una avería, la avería no estará cubierta por la garantía.

Prestaciones y cobertura de la garantía

Nuestra empresa ofrece una garantía limitada de 2 años que cubre los defectos de fabricación y las averías directamente atribuibles al diseño, los materiales o la mano de obra del producto. Esta garantía se aplica únicamente a los productos utilizados exclusivamente para fines privados, personales y no comerciales.

Las reparaciones o sustituciones no amplían ni renuevan el periodo de garantía original. Se trata de una garantía que solo cubre las piezas, salvo que se indique lo contrario por escrito. Para cualquier reclamación de garantía relacionada con daños durante el transporte, los daños deben comunicarse en un plazo de 24 horas desde la entrega, con la documentación y las fotografías pertinentes, y deben ser confirmados por el repartidor. Cualquier intento de reparación no autorizado o el incumplimiento del proceso descrito puede anular la garantía.

Los siguientes elementos quedan específicamente excluidos de cualquier cobertura de garantía:

- Cualquier daño resultante de un uso inadecuado o un mantenimiento que no se ajuste al manual del usuario.
- Daños causados por cualquier factor humano.
- Cualquier modificación del producto sin la autorización del fabricante.
- Daños o decoloración de la superficie de la carcasa debido al uso de productos de limpieza corrosivos o inadecuados.
- Daños resultantes de un transporte o almacenamiento inadecuados.
- Daños debidos a causas de fuerza mayor.
- Desvanecimiento natural del color.

Garantía limitada: El fabricante se reserva el derecho de la explicación final.

Nota de declaración especial: La garantía limitada es válida desde la fecha de finalización sustancial de la producción por parte del fabricante.

		EN 55014-2
		EN 61000-3-12
		EN 61000-3-11

7. Documentación Técnica Relevante o Documentación Técnica Específica:
Informe N.º: 60445226 001 TÜV Rheinland
Informe N.º: 60445226 001 TÜV Rheinland

El rendimiento del producto mencionado anteriormente cumple con los valores de prestaciones declarados. El importador indicado más arriba asume la plena responsabilidad de emitir la presente Declaración de Prestaciones conforme al Reglamento (UE) n.º 305/2011.

Anexo

Número del artículo	Nombre del artículo
37979 (E-351S) CALIMA	bañera de hidromasaje
37981 (M-530D) VILLARRICA	bañera de hidromasaje
37983 (E-310S) MARFIL	bañera de hidromasaje

Firmado en nombre del importador y fabricante por:
Michael Widmer, Director General

6340 Baar, 20.05.2024

Declaración de Prestaciones

- Código Único de Identificación del Producto:
Número de producto (consultar el final de la página)
- Uso previsto:
bañera de hidromasaje para uso doméstico – bienestar/higiene personal
- Importador:
Beliani GmbH
Haldenstrasse 5
6340 Baar
Suiza
Teléfono +34 932 714 061
- Representante Autorizado: %
- Sistema de Evaluación y Verificación de la Conformidad de las Prestaciones:
Sistema 1
 - Normas armonizadas:
EN55014-1:2006/+A1:2009/+A2:2011
EN55014-2:2015 EN61000-3-12:2011
EN61000-3-11:2000
Directiva de Compatibilidad Electromagnética (EMC) (2014/30/UE)
EN60335-2-60:2003+A1:2005+A2:2008+A11:2010+A12:2010
EN60335-1:2012+AC:2014+A11:2014
EN62233:2008
Directiva de Baja Tensión (2014/35/UE)
 - Documento de Evaluación Europeo: %
Evaluación Técnica Europea: %
Organismo de Evaluación Técnica: %
Organismo Notificado: %

6. Prestaciones Declaradas:

Características Principales	Prestación	Especificación Técnica Armonizada
Seguridad del usuario	Cumplida	EN 60335-2 EN 60335-1 EN 62233
Funcionamiento (normal y anómalo)	Cumplida	
Directiva de Baja Tensión	Cumplida	
Compatibilidad Electromagnética	Cumplida	EN 55014-1

213

214

Svenska (SE)

Bruksanvisning:

Se till att läsa denna bruksanvisning noggrant innan du använder den.

Med korrekt förberedelse och skötsel kommer ditt spabad att ge många år av njutning och avkoppling. Den här manualen har utformats för att ge all viktig information om förberedelse, installation, skötsel och drift av ditt nya spabad. Ta dig tid att läsa hela manualen för att säkerställa att ditt spabad används korrekt och säkert.

Huvudfunktion och produktenskaper:

- Hydroterapi-funktion:** Spabadet är utrustat med speciella hydroterapisäten, som är ergonomiskt utformade för att stödja kroppen. Justera massagestrycket genom att ändra massageinställningarna, vattenavledaren och luftregulatorn.
- Luftblåsning-funktion:** Aktivera luftblåsaren för att släppa ut en stor mängd luftbubblor genom specialdesignade luftstrålar, vilket skapar en bubblig massageupplevelse som är både terapeutisk och rolig.
- Värmefunktion:** Spabadet värmer upp vattnet och låter användaren ställa in önskad temperatur. Värmsystemet upprätthåller denna temperatur, vilket garanterar tillgänglighet året runt.
- Filter och cirkulationsfunktion:** Spabadet har ett filtreringssystem med ett integrerat filter och ozonsterilisering. Samtidigt som föroreningar filtreras bort, kör systemet automatiskt filtercykeln för att eliminera bakterier som använder ozon som genereras av ozonenheten.
- Belysning:** Undervattensbelysningen med LED förhöjer spabadets atmosfär. Styr via panelen lyser belysningssystemet inte bara upp vattnet utan skapar också en romantisk och avkopplande stämning.

Viktig deklaration: Alla funktioner som nämns ovan är allmänna beskrivningar av våra spabadprodukter. De specifika egenskaperna hos ditt spabad kan skilja sig åt. Vänligen bekräfta detaljerna innan du gör ett köp. Tillverkaren förbehåller sig rätten att modifiera eller förbättra produkter utan föregående meddelande och utan att ådra sig någon skyldighet.

Viktiga instruktioner

Det är viktigt att du bekantar dig med allmänna säkerhets- och vattenbehandlingsrutiner för spabad. Se till att du förstår följande information:

- Dräneringsbehov:** Se till att spabadet inte installeras på en låg eller översvämningsbenägen plats, eftersom detta kan orsaka fel på elektrisk utrustning eller utgöra en fara för spabadets användare.

215

216

- **Risk för elektriska stötar:** Som med alla elektriska apparater finns det risk för elektriska stötar. Maskinrummet, beläget i skåpet, rymmer kontrollenheten som driver spabadet. Denna kapsling ska alltid förbli stängd. Om vatten kommer in i maskinrummet, stäng av spabadet vid strömförsörjningen och se till att alla komponenter är helt torra innan du försöker starta om det.
- **Temperatur:** Håll spabadets vattentemperatur under 40°C. Högre temperaturer kan belasta det kardiovaskulära systemet. Om temperaturen överstiger 40°C, lämna spabadet och kontakta din återförsäljare omedelbart. Det rekommenderas att vattentemperaturen inte överstiger normal kroppstemperatur (ca 37,5°C).
- **Medicinska tillstånd:**
 - Personer med diabetes, högt blodtryck, hjärtsjukdomar eller andra kardiovaskulära problem bör rådfråga en läkare innan de använder spabadet.
 - För att minska kontaminering och hälsorisker, duscha med tvål och vatten innan du går ner i spabadet.
 - Alla med öppna sår eller någon form av infektion bör inte använda spabadet.
 - Varmvatten kan vara en idealisk miljö för bakterier, särskilt om nivåerna av desinfektionsmedel inte hålls ordentligt.
 - Gravida kvinnor bör alltid rådfråga sin läkare innan de använder ett spabad.
- **Bad- och avsvalkningstid:** Begränsa vistelsen i spabadet till 15–20 minuter åt gången. Vissa spabad har en svalkande sittplats. Om du börjar känna dig för varm, sätt dig på den platsen och låt kroppen svalka av sig. När du känner dig bekväm kan du sakt gå ner i vattnet igen. Att sitta i ett spabad med bröstet ovanför vattenlinjen hjälper till att minska tiden som behövs för att svalka sig. Undvik långvarig exponering för vatten över normal kroppstemperatur, eftersom det kan vara farligt.
- **Alkohol användning och medicinering:** Att konsumera alkohol i eller runt spabadet kan vara mycket farligt. Använd aldrig glasbehållare nära spabadet. Alkohol ökar risken för att drunkna. Alla som tar medicin bör rådfråga sin läkare innan de går ner i spaet.
- **Barnsäkerhet:** Barn ska inte använda spabadet utan tillsyn.
- **Förhindra halka:** Var alltid försiktig när du går in och ur spabadet, eftersom våta eller ojämna ytor kan vara hala. Använd ledstänger och halkfria ytor för att minska risken för fall. I vissa fall kan åtgärder behövas för att göra in- och utstigning lättare.
- **Elektriska apparater:** Placera aldrig några elektriska enheter inom 2 meter från spabadet.
- **Väderförhållanden:** Använd eller kör inte spabadet under svåra väderförhållanden, såsom åskväder, cykloner eller stormar.
- **Ventilation:** Om området vid spabadet inte är ordentligt ventilerat kan användarna uppleva irritation i halsen. Se till att spabadet installeras i ett välventilerat utrymme, särskilt om det är slutet.
- **Kemikalier:** Kemikalier är viktiga för att bibehålla rent vatten, förhindra bakterietillväxt och förlänga livslängden på både ditt spabad och dess komponenter. Men när de används i koncentrerade former (som vissa hushållskemikalier) kan de vara farliga. Hantera alltid

spakemikalier med försiktighet och följ säkerhetsanvisningarna. Se produktens etikett och säkerhetsdokumentation. Mer detaljerad information om säker användning av kemikalier finns i avsnittet om kemikaliehantering.

Installation av spabad

Använd alltid en kvalificerad fackman för att installera ditt spabad. Tillverkaren ansvarar inte för skador som orsakats av felaktig installation eller arbete utfört av okvalificerade personer.

Positionering och placering av spabadet

- Spabadet bör placeras så att det är lätt att komma åt för service och underhåll. Den mesta utrustningen är placerad på spabadets framsida och måste vara åtkomlig för strömanslutning och service.
- Det rekommenderas att lämna minst 1,2 meters utrymme runt alla fyra sidorna av spabadet för framtida åtkomst.
- Ägaren ansvarar för att installationen är korrekt genomförd innan service påbörjas.
- All bärbar spa-utrustning kräver ventilation. Blockera inte ventilationsöppningarna i skåpet.
- Placera spabadet med avstånd från träd för att förhindra att löv blockerar filtret.

Viktig anmärkning:

Lämna inte ditt spabad i direkt solljus under längre perioder. Detta kan ogiltigförklara din garanti. Spabadet inkluderar isolering över skalet och rörsystemet. Om det utsätts för direkt solljus kan yttemperaturen stiga upp till 200°C, vilket kan orsaka skador på spabadet.

Det rekommenderas att alltid använda det hårda skyddet när spabadet inte används och att placera spabadet på en plats skyddad från extremt och hårt väder. Om du lämnar spabadet avtäckt och exponerat kan din garanti för spabadet och dess tillbehör ogiltigförklaras.

Platskrav

- Innan installationen är det lämpligt att konsultera en fackman för att bekräfta lämplig position för spabadet.
- Undvik att placera spabadet där vatten kan svämma in i facket med elektrisk utrustning. Se också till att den är skyddad från direktkontakt med mycket fuktiga områden.
- Placera spabadet horisontellt och se till att hela basen av enheten är på en slät, plan och jämn yta som kan bära vikten när den är helt fylld med vatten, plus vikten av de badande (kräver en viktkapacitet på 1000 kg).
- Spabadet får inte placeras på en krökt, mjuk, sandig yta eller klossar.

Elinstallation

217

218

- Elförsörjningen till ditt nya spabad måste vara på en dedikerad krets utan andra apparater eller uttag som delar på strömmen. Skador orsakade av felaktig strömstyrka KOMMER INTE att täckas av garantin. Kontakta en behörig elektriker för elektrisk anslutning.
- Se till att ditt nya spabad är ordentligt jordat. Huvudströmförsörjningen måste innehålla en högkänslig jordfelsbrytare (RCD). Ett 30mA läckageskydd rekommenderas.

Välj en lämplig kabelstorlek:

Effekt (KW)	2.1	2.5	2.8	3.2	3.5	4.4	5.3	6.2	7,0	7.9	8.8
Produkt-avstånd											
6 – 11 meter	2.5	2.5	2.5	2.5	4	4	6	10	10	10	10
11 – 15 meter	2.5	2.5	2.5	4	4	4	6	6	10	10	10
15 – 20 meter	4	4	4	4	6	6	10	10	10	16	16

Spaunderhåll

Att äga ett spabad är roligt, avkopplande och terapeutiskt, men det är viktigt att behålla din investering för att säkerställa att den förblir ekonomisk och vid god hälsa – och undviker onödiga, förtida reparationskostnader. Nedan finns en enkel steg-för-steg-guide att följa.

Fylla spabadet

1. Innan du fyller ditt spabad måste du kontrollera och dra åt alla spänningsförande kontakter, eftersom de kan lossna under transporten.
2. Kontrollera och se till att alla backventiler är i öppet läge.
3. Kontrollera att dräneringsventilen är avstängd.
4. Se till att alla jetstrålar är i öppet läge. Vrid medurs för att öppna jetstrålarna.
5. Fyll ditt spabad med vatten. Fyll genom filtret för att undvika luftblockering i pumparna.
6. Fyll på vattnet tills det når önskad vattennivå.

OBS: För att undvika skador på komponenter ska du INTE fylla med varmt vatten över 40°C i spabadet.

219

Tömma spabadet

Om du bara använder ditt spabad en eller två gånger i veckan kommer du kunna tömma mindre frekvent än för de som använder det tre eller fler gånger i veckan. Därav rekommenderas det att tömma spabadet minst var tredje månad.

Din dräneringsventil är placerad på framsidan av den nedre basen. Dräneringsinstruktionerna är följande:

1. Ta av locket på dräneringsventilen genom att vrida moturs
2. Anslut din slang till dräneringsventilen (slangdiameter: ¾" eller 19,04 mm)
3. Dra ut och skruva loss tills vattnet börjar rinna

OBS: Se till att strömmen är avstängd innan du tömmer den. Skador orsakade av torrkorning täcks inte av garantin.

Instruktioner för kontrollpanelen

För information om hur du använder spabadets kontrollpanel, se användarmanualen för styrsystemet och snabbguiden.

Instruktioner för jetstrålarna

Jetstrålarna är de viktigaste komponenterna för massagen. Du kan justera vattenflödet genom att vrida på jetytan.

- Vrid jetlocket medurs cirka 1/4 varv för att öppna jetstrålarna.
- Vrid jetlocket moturs cirka 1/4 varv för att stänga strålarna.

OBS: Vissa jetstrålar och luftstrålar är ej justerbara. Vrid inte dessa strålar med kraft eftersom det kan orsaka skada.

Instruktioner för kontroll av luftstrålar

- Luftkontroller påverkar trycket i dina jetstrålar genom att tillföra luft. Du kan ha mer än en luftkontroll på ditt spabad, som var och en är kopplad till en specifik grupp av jetstrålar. Genom att öppna en luftkontroll kommer mer luft att dras in i vattenflödet.
- När luftreglaget vrids medurs kommer det att minska effekten av massagestrålarna.
- När den vrids moturs kommer den att öka effekten av massagestrålarna.

OBS: Stäng av luftkontrollerna för bättre uppvärmningseffektivitet. Luftfläkten kan kyla ner vattentemperaturen.

220

Instruktion för vattenavledning

Vattenavledaren är den del som justerar massageeffekten. Att rotera vattenavledaren styr vattenflödet mellan jetstrålarna. Om du vrider på den justeras massageeffekten för olika jetgrupper.

SPA-VATTENHANTERING OCH UNDERHÅLL

Observera att dessa instruktioner är avsedda som en allmän vägledning för att upprätthålla spavattenkvaliteten. Innan du vidtar någon åtgärd, vänligen rådfråga din lokala spabadsspecialist för lämplig mängd desinfektionsmedel att använda och lämpliga procedurer baserat på kapaciteten hos ditt spabad.

- Du bör aldrig använda kemikalier av dålig kvalitet eller inkompatibel utrustning, eftersom detta kan leda till skador.
- Kemikalier täcks inte av garantin.
- Låt en fackman testa vattnet minst en gång i månaden. Det rekommenderas också att vattnet testas varje vecka av användaren. När du tillsätter kemikalier, blanda i vatten i 20–30 minuter och se till att alla ämnen är helt upplösta.

Effekten och justeringen av pH

- Lågt pH (under 7,2) gör att desinfektionsmedel fungerar dåligt, ökar korrosionsrisken för ytor och komponenter och kan orsaka hud- och ögonirritation.
- Om pH är högt (över 7,6) förlorar klorbaserade desinfektionsmedel effektivitet; vattnet kan bli grumligt och avlagringar kan förekomma på spabadets ytor och värmare.

VIKTIGT! pH-nivån mäter vattnets surhet/alkalinitet:

- Alkalinitet: Värdet över 7 är alkaliska; under 7 är sura.
- Ett pH-intervall mellan 7,2 och 7,6 rekommenderas.

WARNING: Se till att rätt pH-nivå upprätthålls. Eventuella skador orsakade av felaktigt pH kommer inte att täckas av din garanti för spabadet.

pH-justering

- Kontrollera pH i spavattnet dagligen med pH-testaren (medföljer ej). Om pH är utanför det rekommenderade intervallet ska du inte använda spabadet. Vänta två timmar och testa igen.
- Om pH-värdet förblir felaktigt, kör pumpen i ytterligare 2 timmar och kontrollera igen.
- Om det fortfarande är felaktigt: Ta bort spalocket och testa igen efter att ha tillsatt lämplig pH- eller alkalinitet/syrhöjande kemikalie (använd endast enligt anvisningarna). Blanda väl och testa igen efter 20 minuter.

Desinfektion av vattnet

- Desinfektion är avgörande för att förstöra alger, bakterier och andra patogener i vattnet. Överanvändning av desinfektionsmedel kan dock leda till hud-/ögonirritation.
- **Bromtabletter:** Säker och lämplig att använda. Placera i förfiltret; löses upp gradvis.
- Kontrollera kvarvarande bromnivåer dagligen med ett testkit. Idealiska nivåer: 2,2–3,3 ppm

Desinfektion med ozon

- Ozon (O₃) är ett kraftfullt och luktfritt desinfektionsmedel.
- De flesta spabad är utrustade med 1–2 ozongeneratorer.
- Systemet injicerar automatiskt ozon i spavattnet via strålarna.
- Ozon bör släppas ut en gång om dagen. Rekommenderad ozondesinfektion är en gång dagligen, varar 1–2 timmar.
- Ozongeneratorns livslängd beror på användning och bör kontrolleras regelbundet.

Borttagning och installation av filter

Ta bort patronen och filtret:

- Öppna patronlocket på ovansidan.
- Ta bort filterlocket och vrid moturs för att ta bort pappersfiltret.
- Om du vill installera patronfiltret gör du dessa steg i omvänd ordning.

Ta bort de dubbla främre åtkomstfiltren:

- Lyft frontpanelen; dra ut skärmen i sidled.
- Vrid moturs för att ta bort pappersfiltret.
- Om du vill installera de dubbla främre åtkomstfiltren gör du dessa steg i omvänd ordning.

Ta bort det stora främre åtkomststoppfiltret:

- Ta bort topplocket.
- Vrid moturs för att ta bort pappersfiltret.
- Om du vill installera det främre filtret för åtkomststopp, gör dessa steg i omvänd ordning.

När ditt spa inte används

Om du ska åka bort under en längre period än 2 månader, rekommenderas att du stänger av ditt spabad och tömmer det. Det är viktigt att komma ihåg att lämna locket på även när det är tomt för att skydda skalet. Om du ska åka bort i några dagar eller veckor, stäng inte av ditt

spabad helt. Sänk temperaturen till 15 grader Celsius så att filtreringscyklerna fortfarande fungerar, men spabadet värms inte upp.

- **3-5 dagar:** Justera pH och vattenbehandling (för detaljer, se avsnittet om vattenunderhåll), täck över spabadet. Justera pH och vattenbehandling när du återanvänder spabadet.
- **5-14 dagar:** Ställ in lägsta temperatur eller viloläge. Justera pH och vattenbehandling (för detaljer, se avsnittet om vattenunderhåll), täck över spabadet. Justera pH och vattenbehandling när du återanvänder spabadet.
- **Mer än 15 dagar:** Stäng av strömmen, öppna dräneringsventilen och töm spabadet helt. Ta bort filtret, håll massagebadet torrt och täck över spabadet.

Felsökning

Symptom	Möjliga orsaker	Lösning
Felmeddelandet visas på LCD-skärmen; spabadet slutar fungera	Styrsystemet har en digital diagnosfunktion som slutar fungera om det är något fel i spabadet, och det kommer att starta om när felsökningen är löst.	Kontrollera felmeddelandet i styrsystemets manual och kontakta sedan din lokala återförsäljare för att utföra underhåll.
Spabadet kan inte starta i något läge	Strömmen är avstängd	Kontrollera om strömbrytaren eller kontakten är påslagen.
	Kontrollpanelen är låst	Kontrollera om kontrollpanelen är låst och läs upp vid behov.
	Fel på elstyrningen (skärmen visar felmeddelande)	Kontrollera felkoden i kontrollmanualen och kontakta sedan din återförsäljare för att utföra underhållet.
Spabadet öppnas automatiskt	Filtreringsfunktionen är igång	Detta är bara en automatisk funktion av systemet; inget underhåll krävs. Systemet kommer automatiskt att sluta köra när funktionen är klar. Ingen användaråtgärd krävs.
	Uppvärmningsfunktionen är igång	
	Frostskyddsfunktionen är igång	

Vattenspumpen stängs av automatiskt när du använder spabadet	Pumpens gångtid är mer än systemets standard maximala drifttid	Tryck på pumpknappen igen för att starta om pumpen. Låt pumpen gå.
	Pumpmotorn är i överhettningsskyddsläge	Stoppa pumpen i drift i minst 1 timme tills den har svalnat och starta sedan pumpen.
Spabadet slås på efter att ha fyllts helt med vatten, då är även vattenspumparna på, men inget vatten kommer ut från strålarna	Strålarna är stängda	Kontrollera om strålarna är stängda; om inte, öppna dem.
	Vattenspumpen suger luft	Försök att starta vattenspumparna upprepade gånger. Om det fortfarande inte fungerar, öppna locket på vattenspumpen för att släppa ut luften och skruva sedan fast det ordentligt. Fyll under tiden vattnet genom filtret för att förhindra att insidan av vattenspumpen suger luft.
Spabadet värms upp för långsamt	Låg temperatur inställd	Återställ temperaturen.
	Filterpatronen är smutsig	Rengöring eller byte av filter.
	Inget lock på spabadet, vilket orsakar värmeförlust	Sätt locket på spabadet när det inte används.
	Strålen ansluten till cirkulationspumpen är stängd	Öppna strålarna.
Strålarnas massagekraft är minimal	Värmaren är trasig	Kontakta din lokala återförsäljare för att utföra underhållet.
	Jetstrålarna är inte helt öppna	Öppna strålarna.
Strålarna är igentäppta	Jetstrålarna är inte helt öppna	Öppna strålarna.
	Strålarna är igentäppta	Vrid jetlocket moturs till slutet och tryck det sedan moturs för att pressa ur strålarna. Kontrollera om det

		finns främmande föremål inuti strålarna.
	Luftventilen är stängd	Öppna luftventilens omkopplare.
	Vattenventilen stängd, vilket förhindrar att vatten kommer ut ur strålarna	Vrid ventilerna, reglera vattenstrålarna.
	Vattenpumpens reglerventil är inte helt öppen	Kontrollera om vattenpumpens ventil är helt öppen.
Strålen som sprutar vattnet är ibland stark, ibland svag	Sug- eller filter är igentäppta. Vattenpumpens reglerventil är inte helt öppen.	Kontrollera om suget eller filtret har främmande föremål inuti och ta bort dem. Kontrollera om båda vattenpumpens ventiler är helt öppna.

Användningen av andra speciella kemiska produkter

Förutom pH-justering och ovan nämnda desinfektionsmetoder finns det några rengöringsprodukter som kan användas i spavatten:

- **ANTI KALK:** Den kan användas för att förhindra/minska utfällning av kalciumsalter (beläggning), särskilt i områden med hårt vatten. Använd den en gång i veckan och när vattnet förnyas.
- **ALGMEDEL:** Förhindrar att alger växer i vattnet. Använd den en gång i veckan och när vattnet förnyas.
- **ANTIFOAM:** Förhindrar skumbildning i vattnet. Använd den en gång i veckan och när vattnet förnyas.

WARNING

Tillsätt de exakta mängderna till vattnet, som specificerat. Blanda inte produkter för att undvika eventuella reaktioner. Rök inte när du hanterar dessa produkter – de kan vara brandfarliga. Tillsätt inte kemiska produkter i vattnet om det finns någon i spabadet. Förvara behållare väl tillslutna på torra, välventilerade platser och håll dessa produkter borta från barn. Andas inte in kemiska produkter och se till att de inte kommer i kontakt med ögon, näsa eller mun. Tvätta händerna efter användning. Följ nödinstruktionerna på produktetiketten vid en olycka eller förtäring.

225

Filterunderhåll

Du bör rengöra dina filter regelbundet. En gång i veckan bör du ta bort dina filter och spola bort eventuellt skräp ur dem med en högtrycksslang. En gång i månaden bör du blötlägga dina filter i en patronfilterrengöringslösning och sedan spola av dem med en högtrycksslang.

Filterrengöring

1. Stäng av strömmen.
2. Ta bort patronen; läs instruktionerna för borttagning av filter innan du gör det.
3. Ta bort filtret från patronen genom att vrida det moturs.
4. Rengör patronen med vatten tills det inte finns några rester.
5. Spraya filtret med vatten, uppifrån och ned, i en vinkel på 45° (se bilderna till höger).
6. Installera filtret och patronen efter rengöring.
7. Slå på strömmen.

Varning: När du tar bort dina filter, se ALLTID till att strömmen till ditt spabad är avstängd innan du gör det. Om du lämnar strömmen på och något dras in i din pump eller värmare, vilket gör att någon av dem går sönder, kommer felet inte att täckas av garantin.

Garantiprestanda och täckning

Vårt företag ger en begränsad 2-års garanti som täcker tillverkningsfel och fel som direkt kan hänföras till produktens design, material eller utförande. Denna garanti gäller endast för produkter som uteslutande används för privata, personliga och icke-kommersiella ändamål.

Alla reparationer eller byten förlänger eller förnyar inte den ursprungliga garantiperioden. Detta är en garanti som endast omfattar delar, om inte annat anges skriftligen. För eventuella garantianspråk relaterade till transportskadorna måste skador rapporteras inom 24 timmar efter leverans, med korrekt dokumentation och bilder, och bekräftas av leveransföretaget. Alla obehöriga reparationsförsök eller underlåtenhet att följa den beskrivna processen kan ogiltigförklara garantin.

Följande artiklar är specifikt undantagna från garantitäckning:

- Eventuella skador till följd av felaktig användning eller underhåll som inte följer bruksanvisningen.
- Skador orsakade av någon mänsklig faktor.
- Alla ändringar av produkten utan tillverkarens godkännande.
- Skador eller missfärgning av skalets yta på grund av frätande eller felaktiga rengöringsmedel.
- Skador till följd av felaktig transport eller förvaring.
- Skada på grund av Guds handlingar.
- Naturlig färgblekning.

227

Rengöring och underhåll av spabadet

Att äga ett spabad är avkopplande och terapeutiskt, men desto viktigare är att ta hand om det ordentligt, för att hålla det hälsosamt och ekonomiskt, och på så sätt undvika onödiga för tidiga reparationskostnader. Nedan finns en enkel steg-för-steg procedur att följa.

Rengöring och underhåll av ytor

Spabadsytan är gjord av högblank akryl. Den ska hållas ren. Vi föreslår att du rengör spabadets utsida en gång i veckan och rengör hela spabadet efter att det har tömts. Se detaljerade steg nedan:

- Rengör smutsen med en våt handduk. Du kan använda ett neutralt tvättmedel och en mjuk handduk. Använd inte rengöringsmedel som innehåller keton eller klorvatten.
- Om ytan har några lätta repor, vänligen polera dem med sandpapper med korn 2000 och bättra på den med tandkräm. Polera sedan om den med en mjuk handduk.
- Rengör inte spabadets yta med någon kemisk lösning/lösningsmedel eller slipande verktyg. Repa inte ytan med hårda material eller en kniv.
- Rengör inte spaytan med nagellack, nagellackborttagningsmedel, kemtvättsvätska, aceton, färgborttagningsmedel, etc., eftersom det kommer att skada ytan.
- Inga cigarettpipor eller värmekällor över 70°C får vidröra ditt spabad.

Underhåll av kontrollpanelen

- Rör inte kontrollpanelen med hårda föremål för att undvika repor.
- Undvik direkt solljus på kontrollpanelen.
- Håll kontrollpanelen torr när spabadet inte används.

Underhåll av kuddar

- Rengör kudden med neutralt rengöringsmedel.
- För mycket kloridtvättmedel och ozon gör att kudden bleknar. Ta bort kudden efter att du har använt spabadet. Hantera den försiktigt, eftersom den inte täcks av garantin.

Underhåll av spabadslocket

- Rengör locket med tvålvatten. Se till att tvålvattnet inte kommer in i spabadet.
- Ta inte tag i eller dra i länken i mitten av locket; den går lätt sönder.
- Du får inte sitta, ligga ner eller hoppa på locket. Skador orsakade av detta täcks eventuellt inte av garantin.

OBS: Täck över spabadet efter användning eller rengöring. Om spabadet lämnas oskyddat och exponerat kan det leda till att garantin för spabadet och dess tillbehör upphör att gälla.

226

Begränsad garanti: Tillverkaren förbehåller sig rätten till slutlig förklaring.

Anmärkning om särskild förklaring: Den begränsade garantin gäller från tillverkarens produktionsdatum för väsentligt färdigställande.

Prestandadeklaration

1. Unik identifikationskod för produkttypen:
Produktnummer (se längst ner på sidan)
2. Avsedd användning:
Whirlpool SPA för hushållsbruk, för wellness/personlig hygien
3. Importör:
Beliani GmbH
Haldenstrasse 5
6340 Baar
Schweiz
Telefon +41 43 5082233
4. Auktoriserad representant: %
5. System för bedömning och verifiering av prestanda: System 1
 - a. Harmoniserade standarder:
EN55014-1:2006/+A1:2009/+A2:2011
EN55014-2:2015 EN61000-3-12:2011
EN61000-3-11:2000
EMC-direktivet (2014/30/EU)
EN60335-2-60:2003+A1:2005+A2:2008+A11:2010+A12:2010
EN60335-1:2012+AC:2014+A11:2014
EN62233:2008
Lägsämningsdirektiv (2014/35/EU)
 - b. Europeiskt bedömningsdokument: %
Europeiskt tekniskt bedömningsföretag: %
Tekniskt bedömningsföretag: %
Anmält företag: %

6. Deklarerade prestandor:

Viktiga egenskaper	Prestanda	Harmoniserad teknisk specifikation
Användarsäkerhet	Överensstämmer	EN 60335-2
Drift (normal och onormal)	Överensstämmer	EN 60335-1

228

Lågspänningsdirektivet	Överensstämmer	EN 62233
Elektromagnetisk kompatibilitet (EMC)	Överensstämmer	EN 55014-1 EN 55014-2 EN 61000-3-12 EN 61000-3-11

7. Lämplig teknisk dokumentation eller specifik teknisk dokumentation:
Rapportnummer: 60445226 001 TÜV Rheinland
Rapportnummer: 60445226 001 TÜV Rheinland

Prestandan för ovannämnda produkt överensstämmer med den deklarerade prestandan. Importören som nämns ovan är ensam ansvarig för utarbetandet av prestandadeklarationen i enlighet med förordning (EU) nr 305/2011.

Bilagor

Artikelnummer	Artikeltyp
37979 (E-351S) CALIMA	Spabad
37981 (M-530D) VILLARRICA	Spabad
37983 (E-310S) MARFIL	Spabad

Signerad för och på uppdrag av importören av:
Michael Widmer, VD

6340 Baar, 2024-05-20

229

- **Risiko úrazu elektrickým prúdom:** Ako pri všetkých elektrických spotrebičoch, aj tu existuje riziko úrazu elektrickým prúdom. V strojnici vo vnútri skrinky je umiestnená riadiaca jednotka, ktorá ovláda vírivú vaňu. Tento priestor by mal zostať vždy zatvorený. Ak dôjde k vniknutiu vody do strojovne, odpojte vírivú vaňu z elektrickej siete a pred opätovným spustením sa uistite, že všetky komponenty sú úplne suché.
- **Teplota:** Teplotu vody vo vírivkej vani udržiajte nie vyššiu ako 40 °C. Vyššia teplota môže nepriaznivo pôsobiť na kardiovaskulárny systém. Ak teplota prekročí 40 °C, opustite vírivú vaňu a ihneď kontaktujte predajcu. Odporúča sa, aby teplota vody neprekročila normálnu telesnú teplotu (cca 37,5 °C).
- **Zdravotný stav:**
 - Osoby s cukrovkou, vysokým krvným tlakom, srdcovými ochoreniami alebo inými kardiovaskulárnymi problémami by sa mali pred použitím vírivkej vane poradiť s lekárom.
 - Na zníženie rizika znečistenia a zdravotných problémov sa pred vstupom do vírivkej vane osprchujte vodou a mydlom.
 - Osoby s otvorenými ranami alebo akoukoľvek formou infekcie by nemali používať vírivú vaňu.
 - Horúca voda môže byť ideálnym prostredím pre baktérie, najmä ak nie sú správne udržiavané hladiny dezinfekčného prostriedku.
 - Tehotné ženy by sa pred použitím mali vždy poradiť so svojím lekárom.
- **Čas namáčania a schladenia:** Obmedzte sedenie vo vírivkej vani na 15 – 20 minút. Niektoré vírivé vane majú chladiace sedadlo. Ak vám začne byť príliš teplo, sadnite si na chladiace sedadlo a počkajte, kým sa telo schladí. Keď sa budete cítiť príjemne, môžete znova pomaly vsúpiť do vody. Sedenie vo vírivkej vani s hručnikom nad hladinou vody pomáha skrátiť čas potrebný na schladenie. Vyhnite sa dlhodobému sedeniu vo vode, ktorej teplota je vyššia než normálna telesná teplota, pretože to môže byť nebezpečné.
- **Užívanie alkoholu a liekov:** Konzumácia alkoholu vo vírivkej vani alebo v jej okolí je mimoriadne nebezpečná. V blízkosti vírivkej vane nikdy nepoužívajte sklenené nádoby. Alkohol zvyšuje riziko utopenia. Každý, kto užíva lieky, by sa mal pred vstupom do vírivkej vane poradiť so svojím lekárom.
- **Bezpečnosť detí:** Deti by nemali používať vírivú vaňu bez dozoru.
- **Predchádzanie pošmyknutiu:** Pri vstupe a vychádzaní z vírivkej vane buďte vždy opatrní, pretože mokré alebo nerovné povrchy môžu byť šmyklivé. Používajte zábradlia a protišmykové povrchy, aby sa znížilo riziko pádu. V niektorých prípadoch môžu byť potrebné schodíky na uľahčenie vstupu a výstupu.
- **Elektrické spotrebiče:** Nikdy neumiestňujte žiadne elektrické zariadenia do vzdialenosti menšej ako 2 metre od vírivkej vane.
- **Poveternostné podmienky:** Vírivú vaňu nepoužívajte ani neprevádzkujte počas nepriaznivých poveternostných podmienok, ako sú búrky, cyklóny alebo elektrické výboje.

231

Slovenčina (SK)

Návod na použitie:

Pred použitím si pozorne prečítajte tento návod na použitie.

Vďaka správnej príprave a údržbe vám vírivá vaňa prinesie dlhé roky pôžitku a relaxu. Táto príručka vám poskytne všetky základné informácie týkajúce sa prípravy, inštalácie, údržby a prevádzky vašej novej vírivkej vane. Nájdite si čas na prečítanie celej príručky, aby ste sa uistili, že vírivú vaňu budete používať správne a bezpečne.

Hlavné funkcie a vlastnosti produktu:

- **Funkcia hydroterapie:** Vírivá vaňa je vybavená špeciálnymi hydroterapeutickými sedadlami, ktoré sú navrhnuté ergonomicky. Tlak masáže upravíte zmenou nastavení masáže, prepínača prúdu vody a regulátora vzduchu.
- **Funkcia terapie vzduchovým ventilátorom:** Aktivovaním vzduchového ventilátora uvoľníte veľké množstvo vzduchových bublín prostredníctvom špeciálne navrhnutých vzduchových trysiek, čím vznikne bublinková masáž, ktorá je terapeutická aj zábavná.
- **Funkcia ohrevu:** Vírivá vaňa ohrieva vodu a umožňuje používateľom nastaviť požadovanú teplotu. Vyhrevný systém túto teplotu udržiava a zabezpečuje tak celoročnú dostupnosť.
- **Funkcia filtra a cirkulácie:** Vírivá vaňa je vybavená filtračným systémom s integrovaným filtrom a ozónovou sterilizáciou. Počas filtrovania nečistôt systém automaticky prevádzkuje filtračný cyklus na odstránenie baktérií pomocou ozónu generovaného ozónovou jednotkou.
- **Osvetlenie:** Podvodné LED osvetlenie vylepšuje zážitok z kúpeľa. Systém ovládaný cez panel nielen osvetľuje vodu, ale aj vytvára romantickú a upokojujúcu atmosféru.

Dôležité vyhlásenie: Všetky vyššie uvedené funkcie sú všeobecným popisom našich vírivých vaní. Špecifické funkcie vašej vírivkej vane sa môžu líšiť. Pred kúpou si dôkladne overte podrobnosti. Výrobca si vyhradzuje právo upravovať alebo vylepšovať produkty bez predchádzajúceho upozornenia a akýchkoľvek povinností.

Dôležité pokyny

Je nevyhnutné, aby ste sa oboznámili so všeobecnou bezpečnosťou a procedurami úpravy vody týkajúcich sa vírivkej vane. Uistite sa, že rozumiete nasledujúcim informáciám:

- **Požiadavky na vypustenie vody:** Uistite sa, že vírivá vaňa nie je nainštalovaná nízko alebo v oblasti, kde hrozí zaplavenie vodou, pretože by to mohlo spôsobiť poruchu elektrického zariadenia alebo predstavovať nebezpečenstvo pre používateľov vírivkej vane.

230

- **Vetranie:** Ak priestor v okolí vírivkej vane nie je správne vetraný, používatelia môžu pociťovať podráždenie hrdla. Uistite sa, že vaňa je nainštalovaná v dobre vetranom priestore, najmä ak je uzavretý.
- **Chemikálie:** Chemikálie sú nevyhnutné na udržanie čistej vody, zabránenie rastu baktérií a predĺženie životnosti vírivkej vane a jej komponentov. Ak sa však používajú v koncentrovaných formách (ako určité chemikálie pre domácnosť), môžu byť nebezpečné. Vždy zaobchádzajte s chemikáliami vo vírivkej vani opatrne a dodržiavajte bezpečnostné pokyny. Pozrite si štítko produktu a dokumentáciu týkajúcu sa bezpečnosti. Podrobnejšie informácie o bezpečnom používaní chemikálií nájdete v časti Používanie chemikálií.

Inštalácia vírivkej vane

Na inštaláciu vírivkej vane vždy zavolajte kvalifikovaného odborníka. Výrobca nezodpovedá za škody spôsobené nesprávnou inštaláciou alebo prácou vykonanou nekvalifikovanými osobami.

Umiestnenie vírivkej vane

- Vírivá vaňa by mala byť umiestnená tak, aby bol zabezpečený ľahký prístup na servis a údržbu. Väčšina zariadení je umiestnená v prednej časti vírivkej vane a musí zostať prístupná pre pripojenie k napájaniu a servisné zásahy.
- Odporúča sa ponechať aspoň 1,2 metra voľného priestoru okolo všetkých štyroch strán vírivkej vane kvôli prístupu.
- Majiteľ je zodpovedný za to, aby sa uistil, že inštalácia bola pred použitím zariadenia vykonaná správne.
- Všetko prenosné vybavenie vírivkej vane vyžaduje vetranie. Vetracie otvory v skrinke nezakrývajte.
- Vírivú vaňu umiestnite ďalej od stromov, aby ste zabránili zablokovaniu filtra listami.

Dôležitá poznámka:

Nenechávajte vírivú vaňu dlhšiu dobu na priamom slnku. Môže to viesť k strate záruky. Súčasťou vírivkej vane je izolácia pláštá a potrubia. Pri vystavení priamemu slnečnému žiareniu môže povrchová teplota stúpnuť až na 200 °C, čo môže spôsobiť poškodenie vírivkej vane.

Odporúča sa vždy používať pevný kryt, keď sa vírivá vaňa nepoužíva, a umiestniť ju na miesto chránené pred extrémnym a nepriaznivým počasím. Ak ju necháte nezakrytú a vystavenú, môže dôjsť k strate záruky na vírivú vaňu a jej príslušenstvo.

232

Požiadavky na umiestnenie

- Pred inštaláciou je vhodné poradiť sa s odborníkom, aby potvrdil vhodnú polohu a umiestnenie vírivkej vane.
- Vírivú vaňu neumiestňujte tam, kde by voda mohla zaplaviť priestor s elektrickým zariadením. Tiež sa uistite, že je chránená pred priamym kontaktom s veľmi vlhkými miestami.
- Vírivú vaňu umiestnite vodorovne a uistite sa, že celá spodná časť je na hladkom, rovnom a vyváženom povrchu, ktorý unesie jej hmotnosť pri plnom naplnení vodou spolu s hmotnosťou kúpajúcich sa osôb (požadovaná nosnosť je 1 000 kg).
- Vírivá vaňa nesmie byť umiestnená na krivom, mäkkom a piesčitom povrchu alebo blokoch.

Elektrická inštalácia

- Elektrické napájanie novej vírivkej vane musí byť vo vyhradenom okruhu bez iných spotrebičov alebo zásuviek, ktoré by zdieľali rovnaké napájanie. Poškodenie spôsobené nesprávnou intenzitou prúdu NEBUDE kryté zárukou. Elektrické pripojenie konzultujte s kvalifikovaným elektrikárom.
- Uistite sa, že vaša nová vírivá vaňa je správne uzemnená. Hlavný prívod elektrickej energie musí mať vysokocitlivý prúdový chránič (RCD). Odporúča sa chránič s citlivosťou 30 mA.

Vyberte vhodný rozmer vodiča:

Výkon (kW)	2,1	2,5	2,8	3,2	3,5	4,4	5,3	6,2	7,0	7,9	8,8
Vzdialenosť produktu											
6 - 11 metrov	2,5	2,5	2,5	2,5	4	4	6	10	10	10	10
11 - 15 metrov	2,5	2,5	2,5	4	4	4	6	6	10	10	10
15 - 20 metrov	4	4	4	4	6	6	10	10	10	16	16

Údržba vírivkej vane

Vlastníť vírivú vaňu je príjemné, relaxačné a terapeutické, ale aj z ekonomického hľadiska je dôležité sa o túto investíciu náležite starať, aby zostala v dobrom stave a predišlo sa zbytočným a predčasným nákladom na opravu. Nižšie nájdete jednoduchý návod.

233

Pokyny na ovládanie vzduchových trysiek

- Vzduchové ovládače ovplyvňujú tlak trysiek prídávaním vzduchu. Vírivá vaňa môže mať viac ako jeden vzduchový ovládač, pričom každý z nich bude spojený so špecifickou skupinou trysiek. Otvorením vzduchového ovládača sa do prúdu vody nasaje viac vzduchu.
- Otočením vzduchového ovládača v smere hodinových ručičiek sa zníži výkon masážnych trysiek.
- Otočením vzduchového ovládača proti smeru hodinových ručičiek sa zvýši výkon masážnych trysiek.

Poznámka: Pre lepšiu účinnosť ohrevu vypnite vzduchové ovládače. Vzduchový ventilátor môže znížiť teplotu vody vo vírivkej vane.

Pokyny na ovládanie prepínača prúdu vody

Prepínač prúdu vody je časť, ktorá upravuje silu masáže. Otáčaním prepínača prúdu vody sa reguluje prietok vody medzi tryskami. Otáčaním upravíte masážny výkon rôznych skupín trysiek.

ÚDRŽBA VODY VO VÍRIVKEJ VANI

Upozorňujeme, že tieto pokyny slúžia ako všeobecný návod na udržanie kvality vody vo vírivkej vane. Pred akýmkoľvek zásahom sa poraďte so špecialistom, ktorý vám odporučí vhodné množstvo dezinfekčného prostriedku a vhodné postupy na základe kapacity vašej vírivkej vane.

- Nikdy by ste nemali používať chemikálie nízkej kvality alebo nekompatibilné zariadenia, pretože to môže viesť k poškodeniu.
- Na chemikálie sa nevzťahuje záruka.
- Nechajte vodu otestovať odborníkom aspoň raz za mesiac. Odporúča sa tiež, aby používateľ testoval vodu každý týždeň. Pri pridávaní chemikálií ich miešajte vo vode 20 až 30 minút a uistite sa, že sa všetky látky úplne rozpustili.

Účinok a úprava pH

- Nízke pH (pod 7,2) spôsobuje nízku účinnosť dezinfekčných prostriedkov, zvyšuje riziko korózie povrchov a komponentov a môže spôsobiť podráždenie pokožky a očí.
- Ak je pH vysoké (nad 7,6), dezinfekčné prostriedky na báze chlóru strácajú účinnosť. Voda sa môže zakaliť a na povrchoch vírivkej vane a ohrievačov sa môže objaviť vodný kameň.

POZOR! Úroveň pH meria kyslosť/zásaditosť vody:

- Alkalita: hodnoty nad 7 sú alkalické, hodnoty pod 7 sú kyslé.
- Odporúčaný rozsah pH je medzi 7,2 a 7,6.

Napustenie vírivkej vane

1. Pred napustením vírivkej vane skontrolujte a dotiahnite všetky elektrické konektory, pretože sa mohli počas prepravy uvoľniť.
2. Skontrolujte a uistite sa, že všetky spätné ventily sú v otvorenej polohe.
3. Skontrolujte, či je vypúšťací ventil zatvorený.
4. Uistite sa, že všetky trysky sú v otvorenej polohe. Otáčaním v smere hodinových ručičiek otvorte trysky.
5. Naplňte vírivú vaňu vodou. Napustite ju cez filter, aby sa zabránilo blokovaniu vzduchu v čerpadle.
6. Napúšťajte vodu, kým nedosiahne požadovanú hladinu.

Poznámka: Aby ste predišli poškodeniu komponentov, NENAPŮŠŤAJTE vírivú vaňu horúcou vodou nad 40 °C.

Vypúšťanie vody

Ak používate vírivú vaňu iba raz alebo dvakrát týždenne, vypúšťanie vody bude menej časté ako u tých, ktorí ju používajú tri alebo viackrát týždenne. Preto sa odporúča vypúšťať vírivú vaňu aspoň každé 3 mesiace.

Vypúšťací ventil sa nachádza v prednej spodnej časti. Pokyny na vypúšťanie sú nasledovné:

1. Odstráňte kryt vypúšťacieho ventilu otáčaním proti smeru hodinových ručičiek.
2. Pripojte hadicu k vypúšťaciemu ventilu (priemer hadice: 3/4" alebo 19,04 mm).
3. Vytiahnite a odskrutkujte, kým voda nezačne tiecť.

Poznámka: Pred vypúšťaním sa uistite, že elektrické napájanie je vypnuté. Poškodenie spôsobené chodom nasucho nebude kryté zárukou.

Pokyny k ovládaciemu panelu

Informácie o ovládaní ovládacieho panela vírivkej vane nájdete v používateľskej príručke ovládacieho systému a v príručke rýchlej obsluhy.

Pokyny k tryskám

Trysky sú hlavnými komponentmi zodpovednými za masáž. Prúd vody môžete nastaviť otáčaním trysky.

- Otočením krytu trysky v smere hodinových ručičiek asi o 1/4 otáčky otvoríte trysky.
- Otočením krytu trysky proti smeru hodinových ručičiek asi o 1/4 otáčky zatvoríte trysky.

Poznámka: Niektoré trysky a vzduchové trysky nie sú nastaviteľné. Neotáčajte týmito tryskami nasilu, pretože to môže spôsobiť poškodenie.

UPOZORNENIE: Uistite sa, že je udržiavaná správna úroveň pH. Na akékoľvek poškodenie spôsobené nesprávnym pH sa záruka na vírivú vaňu nebude vzťahovať.

Úprava pH

- Denne kontrolujte pH vody vo vírivkej vane pomocou pH testera (nie je súčasťou balenia). Ak je pH mimo odporúčaného rozsahu, vírivú vaňu nepoužívajte. Počkajte dve hodiny a test zopakujte.
- Ak je pH stále nesprávne, spustite čerpadlo na 2 hodiny a znova skontrolujte.
- Ak je hodnota naďalej nesprávna: odstráňte kryt vírivkej vane a po pridaní chemikálie na úpravu pH alebo zásaditosti/okyslenia (používajte len podľa odporúčania) znova otestujte. Dôkladne premiešajte a po 20 minútach test zopakujte.

Dezinfekcia vody

- Dezinfekcia je nevyhnutná na zničenie rias, baktérií a iných patogénov vo vode. Nadmerné používanie dezinfekčného prostriedku však môže viesť k podráždeniu pokožky/očí.
- **Bromové tablety:** bezpečné a vhodné na použitie. Vložte do predfiltra; postupne sa rozpustia.
- Denne kontrolujte hladiny zvyškového brómu pomocou testovacej súpravy. Ideálna hodnota: 2,2 – 3,3 ppm.

Dezinfekcia ozónom

- Ozón (O₃) je silný dezinfekčný prostriedok bez zápachu.
- Väčšina vírivých vaní je vybavená 1 až 2 generátormi ozónu.
- Systém automaticky dávkuje ozón do vody vo vírivkej vane prostredníctvom trysiek.
- Ozón by sa mal uvoľňovať raz denne. Odporúčaná dezinfekcia ozónom je raz denne v trvaní 1 – 2 hodiny.
- Životnosť generátora ozónu závisí od používania a mala by sa pravidelne kontrolovať.

Demontáž a inštalácia filtra

Vybratie kazety a filtra:

- Otvorte kryt kazety na hornej strane.
- Odstráňte kryt filtra a otáčaním proti smeru hodinových ručičiek vyberte papierový filter.
- Ak chcete nainštalovať kazetový filter, vykonajte tieto kroky v opačnom poradí.

Demontáž dvojitého filtra prístupných spredu:

- Zdvihnite predný panel; vytiahnite kryt nabok.
- Otáčaním proti smeru hodinových ručičiek vyberte papierový filter.

235

234

236

- Ak chcete nainštalovať dvojité predné filtre, vykonajte tieto kroky v opačnom poradí.

Demontáž veľkého zarážkového filtra prístupného spredu:

- Odstráňte horný kryt.
- Otáčaním proti smeru hodinových ručičiek vyberte papierový filter.
- Ak chcete nainštalovať predný zarážkový filter, vykonajte tieto kroky v opačnom poradí.

Keď sa vŕvivá vaňa nepoužíva

Ak sa chystáte preč na dlhšie ako 2 mesiace, odporúča sa vŕvivú vaňu vypnúť a vypustiť. Je dôležité nezabudnúť nechať kryt nasadený, aj keď je vaňa prázdna, aby bola chránená. Ak sa chystáte preč na niekoľko dní alebo týždňov, nevypínajte vŕvivú vaňu úplne. Znížte teplotu na 15 °C, aby filtračné cykly stále fungovali, ale vŕvivá vaňa sa nezahrieva.

- **3 – 5 dní:** Upravte pH a prísady na úpravu vody (podrobnosti nájdete v časti o údržbe vody), zakryte vŕvivú vaňu. Pri opätovnom použití upravte pH a prísady na úpravu vody.
- **5 – 14 dní:** Nastavte najnižšiu teplotu alebo režim spánku. Upravte pH a prísady na úpravu vody (podrobnosti nájdete v časti o údržbe vody), zakryte vŕvivú vaňu. Pri opätovnom použití upravte pH a prísady na úpravu vody.
- **Viac ako 15 dní:** Vypnite elektrické napájanie, otvorte vypúšťací ventil a vaňu úplne vypustite. Vyberte filter, vysušte vŕvivú vaňu a prikryte ju.

Riešenie problémov

Problém	Možné príčiny	Riešenie
Na LCD displeji sa zobrazí hlásenie o chybe; vŕvivá vaňa prestala fungovať	Riadiaci systém má funkciu digitálnej diagnostiky, ktorá prestane fungovať, ak sa vo vŕrivéj vani niečo pokazí, a reštartuje sa, keď sa problém vyrieši.	Skontrolujte chybové hlásenie v príručke k riadiacemu systému a kontaktujte miestneho predajcu, aby vykonal údržbu.
Vŕvivá vaňa sa nedá spustiť v žiadnom režime	Napájanie je vypnuté	Skontrolujte, či je zapnutý vypínač alebo stykač.
	Ovládací panel je zablokovaný	Skontrolujte, či je ovládací panel uzamknutý a v prípade potreby ho odomknite.
	Porucha elektrického ovládania (displej zobrazuje chybové hlásenie)	Skontrolujte kód poruchy v návode na obsluhu a potom kontaktujte predajcu, aby vykonal údržbu.

Vŕvivá vaňa sa automaticky otvorí	Funkcia filtrácie je spustená	Je to len automatická funkcia systému, nie je potrebná žiadna údržba. Po dokončení funkcie sa systém automaticky zastaví. Nevyžadujú sa žiadne kroky zo strany používateľa.
	Funkcia ohrevu je spustená	
	Funkcia proti zamrznutiu je spustená	
Vodné čerpadlo sa pri použití vŕrivej vane automaticky vypne	Doba chodu čerpadla je dlhšia ako predvolená maximálna doba chodu systému	Opätovným stlačením tlačidla čerpadla ho reštartujte. Nechajte čerpadlo pracovať.
	Motor čerpadla je v režime ochrany proti prehriatiu	Zastavte chod čerpadla na viac ako 1 hodinu, kým nevychladne, a potom čerpadlo spustite.
Vŕvivá vaňa sa zapne po úplnom naplnení vodou, potom sú zapnuté aj vodné čerpadlá, ale z trysiek nevyteká žiadna voda	Trysky sú zatvorené	Skontrolujte, či sú trysky zatvorené. Ak áno, otvorte ich.
	Vodné čerpadlo nasáva vzduch	Opakovane sa snažte spustiť vodné čerpadlo. Ak stále nefunguje, otvorte veko na vodnom čerpadle, aby ste uvoľnili vzduch, a potom ho pevne priskrutkujte. Medzitým naplňte vodu cez filter, aby ste zabránili nasávaniu vzduchu do vnútra vodného čerpadla.
Vŕivka sa pomaly zahrieva	Je nastavená nízka teplota	Znova nastavte teplotu
	Filtračná vložka je špinavá	Vyčistite alebo vymeňte filter
	Na vŕrivéj vani nie je kryt, čo spôsobuje tepelnú stratu	Nasadte kryt na vŕvivú vaňu, keď ju nepoužívate.
	Tryska pripojená k obehovému čerpadlu je uzavretá	Otvorte trysky
	Ohrievač je pokazený	Ak chcete vykonať údržbu, obráťte sa na miestneho predajcu.

237

238

Masážna sila trysiek je malá	Trysky nie sú úplne otvorené	Otvorte trysky
	Trysky sú upchaté	Otočte kryt trysky proti smeru hodinových ručičiek až do konca, potom ho zatlačte proti smeru hodinových ručičiek, aby sa trysky vysunuli. Skontrolujte, či sa vo vnútri trysiek nenachádzajú cudzie telesá.
	Vzduchový ventil je vypnutý	Otvorte spínač vzduchového ventilu.
	Vodný ventil je zatvorený, čo zabraňuje vytekaniu vody z trysiek	Otočte ventily, ktoré regulujú prúdy vody.
	Riadiaci ventil vodného čerpadla nie je úplne otvorený	Skontrolujte, či je ventil vodného čerpadla úplne otvorený.
Prúd striekajúcej vody je niekedy silný, inokedy slabý	Nasávanie alebo filter sú upchaté. Riadiaci ventil vodného čerpadla nie je úplne otvorený.	Skontrolujte, či sa v odsávaní alebo filtrí nenachádzajú cudzie telesá a odstráňte ich. Skontrolujte, či sú oba ventily vodného čerpadla úplne otvorené.

Aplikácia ďalších špeciálnych chemických produktov

Okrem úpravy pH a vyššie uvedených metód dezinfekcie existujú čistiace prostriedky, ktoré možno použiť vo vode vo vŕrivéj vani:

- **PRÍPRAVOK PROTI VÁPENATÝM USADENINÁM:** Môže sa použiť na zabránenie/zníženie zrážania vápenatých solí (vodného kameňa), najmä v oblastiach s tvrdou vodou. Používajte ho raz týždenne a vždy, keď vymeníte vodu.
- **PRÍPRAVOK PROTI RIASAM:** Zabraňuje rastu rias vo vode. Používajte ho raz týždenne a vždy, keď vymeníte vodu.
- **PRÍPRAVOK PROTI PENENIU:** Zabraňuje tvorbe peny vo vode. Používajte ho raz týždenne a vždy, keď vymeníte vodu.

UPOZORNENIE

Do vody pridávajte presné množstvá uvedené v návode. Prípravky nemiešajte, aby ste predišli možným reakciám. Pri manipulácii s týmito prípravkami nefajčíte – môžu byť horľavé.

Nepridávajte do vody chemické prípravky, ak sa v nej niekto nachádza. Nádoby uchovávajúce tesne uzavreté na suchých, dobre vetraných miestach a uchovávajúce ich mimo dosahu detí. Nevýdychujte chemické prípravky a dávajte pozor, aby sa nedostali do kontaktu s očami, nosom alebo ústami. Po použití si umyte ruky. V prípade nehody alebo požitia postupujte podľa núdzových pokynov na štítku daného prípravku.

Čistenie a údržba vŕrivej vane

Vlastniť vŕvivú vaňu je príjemné, relaxačné a terapeutické, ale aj z ekonomického hľadiska je dôležité sa o túto investíciu náležite starať, aby zostala v dobrom stave a aby ste sa vyhli zbytočným a predčasným nákladom na opravu. Nižšie je uvedený jednoduchý návod krok za krokom.

Čistenie a údržba povrchu

Povrch vŕrivej vane je vyrobený z akrylátu s vysokým leskom a mal by sa udržiavať čistý. Odporúčame raz týždenne vyčistiť vonkajší povrch a po vypustení vyčistiť celú vŕvivú vaňu. Podrobný postup je uvedený nižšie:

- Nečistoty vyčistite vlhkou handričkou. Môžete použiť neutrálny čistiaci prostriedok a mäkkú utierku. Nepoužívajte čistiace prostriedky obsahujúce ketón alebo chlórúvú vodu.
- Ak sú na povrchu nejaké malé škrabance, vyleštite ich brúsny papierom so zrnitosťou 2 000 a opravte zubnou pastou. Následne znova vyleštite jemnou utierkou.
- Nečistite povrch vŕrivej vane žiadnymi chemickými roztokmi/rozpušťačmi alebo abrazívnymi nástrojmi. Nepoškriabte povrch vane tvrdými materiálmi alebo nožom.
- Nečistite povrch vŕrivej vane lakom na nechty, odstraňovačom laku na nechty, tekutinou na chemické čistenie, acetónom, odstraňovačom náterov atď., pretože to poškodí povrch.
- Cigaretové ohorky ani iné zdroje tepla nad 70 °C by sa nemali dotknúť vŕrivej vane.

Údržba ovládacieho panela

- Nedotýkajte sa ovládacieho panela tvrdými predmetmi, aby nedošlo k poškriabaniu.
- Zabráňte priamemu slnečnému žiareniu na ovládací panel.
- Udržujte ovládací panel suchý, keď sa vŕvivá vaňa nepoužíva.

Údržba vankúšikov

- Vankúšiky čistite neutrálnym čistiacim prostriedkom.
- Nadmerné použitie chlórúvového prostriedku a ozónu spôsobí vyblednutie. Po použití vŕrivej vane odstráňte vankúšiky. Zaobchádzajte s nimi opatrne, pretože sa na ne nevzťahuje záruka.

239

240

Údržba krytu vírivej vane

- Kryt vyčistite mydlovou vodou. Zaisťte, aby sa mydlová voda nedostala do vnútra vírivky.
- Nechytajte ani netahajte za spoj v strede krytu; môže sa ľahko zlomiť.
- Na kryte nesedzte, neležte, ani naň neskáčte. Na takto spôsobené škody sa nevzťahuje záruka.

Poznámka: Po použití alebo čistení vírivú vaňu zakryte. Ak ju necháte nezakrytú a vystavenú, môže dôjsť k strate záruky na vírivú vaňu a jej príslušenstvo.

Údržba filtra

Filtre by ste mali čistiť pravidelne. Raz týždenne by ste mali vybrať filtre a všetky nečistoty z nich odstrániť pomocou vysokotlakovej hadice. Raz za mesiac by ste mali filtre namočiť do roztoku na čistenie filtrov a následne ich opláchnuť vysokotlakovou hadicou.

Čistenie filtra

1. Vypnite elektrické napájanie.
2. Vyberte kazetu. Ešte pred tým si prečítajte pokyny na odstránenie filtra.
3. Vyberte filter z kazety otáčaním proti smeru hodinových ručičiek.
4. Kazetu čistite vodou, kým neodstránite všetky zvyšky nečistôt.
5. Vystriekajte filter vodou zhora nadol pod 45° uhlom (ako na obrázkoch na pravej strane).
6. Po vyčistení nainštalujte filter a kazetu.
7. Zapnite napájanie.

UPOZORNENIE: Pred vyberaním filtrov sa VŽDY uistite, že elektrické napájanie vírivej vane je vypnuté. Ak necháte napájanie zapnuté a do čerpadla alebo ohrievača sa dostanú nečistoty, čo spôsobí ich poškodenie, na túto poruchu sa nebude vzťahovať záruka.

Podmienky a rozsah záruky

Naša spoločnosť poskytuje obmedzenú 2-ročnú záruku vzťahujúcu sa na výrobné chyby a chyby priamo pripísateľné dizajnu, materiálom alebo spracovaniu produktu. Táto záruka sa vzťahuje iba na produkty používané výlučne na súkromné, osobné a nekomerčné účely.

Všetky opravy alebo výmeny nepredlžujú ani neobnovujú pôvodnú záručnú dobu. Táto záruka platí len na dané časti, pokiaľ nie je písomne uvedené inak. V prípade akýchkoľvek záručných nárokov súvisiacich s poškodením pri preprave musia byť škody nahlásené do 24 hodín od doručenia s náležitou dokumentáciou a fotografiami a musia byť potvrdené vodičom dodávky. Akékoľvek neoprávnené pokusy o opravu alebo nedodržanie postupu môže viesť k strate záruky.

241

242

Nasledovné položky sú výslovne vylúčené zo záruky:

- Akékoľvek škody spôsobené nesprávnym používaním alebo údržbou, ktorá nie je v súlade s návodom na použitie.
- Škody spôsobené akýmkoľvek ľudským faktorom.
- Akékoľvek zmeny produktu bez povolenia výrobcu.
- Poškodenie alebo zmena farby povrchu v dôsledku korozívnych alebo nevhodných čistiacich prostriedkov.
- Poškodenie spôsobené nesprávnou prepravou alebo skladovaním.
- Škody spôsobené vyššou mocou.
- Prírodné vyblednutie farby.

Obmedzená záruka: Výrobca si vyhradzuje právo na konečné vysvetlenie.

Poznámka k špeciálnemu vyhláseniu: Obmedzená záruka platí od dátumu dokončenia výroby zo strany výrobcu.

Vyhlásenie o výkone

1. Jedinečný identifikačný kód typu produktu:
Číslo produktu (pozri spodnú časť stránky)
2. Účel použitia:
Vírivá vaňa na domáce použitie, na účely wellness/osobnej hygieny
3. Dovožca:
Beliani GmbH
Haldenstrasse 5
6340 Baar
Švajčiarsko
Telefónne číslo: +41 43 5082233
4. Oprávnený zástupca: %
5. Systém hodnotenia a overovania stálosti výkonu: Systém 1
 - a. Harmonizované normy:
EN55014-1:2006/+A1:2009/+A2:2011
EN55014-2:2015 EN61000-3-12:2011
EN61000-3-11:2000
Smernica EMC (2014/30/EÚ)
EN60335-2-60:2003+A1:2005+A2:2008+A11:2010+A12:2010
EN60335-1:2012+AC:2014+A11:2014
EN62233:2008
Smernica o nízkom napätí (2014/35/EÚ)
 - b. Európsky hodnotiaci dokument: %
Európske technické posúdenie: %

Orgán technického posudzovania: %

Notifikovaný orgán: %

6. Deklarovaný výkon:

Základné vlastnosti	Výkon	Harmonizovaná technická špecifikácia
Bezpečnosť používateľa	Vyhovujúce	EN 60335-2
Prevádzka (normálna a abnormálna)	Vyhovujúce	EN 60335-1 EN 62233
Smernica o nízkom napätí	Vyhovujúce	
Elektromagnetická kompatibilita (EMC)	Vyhovujúce	EN 55014-1 EN 55014-2 EN 61000-3-12 EN 61000-3-11

7. Príslušná technická dokumentácia alebo špecifická technická dokumentácia:

Číslo správy: 60445226 001 TÜV Rheinland
Číslo správy: 60445226 001 TÜV Rheinland

Výkon vyššie uvedeného produktu zodpovedá deklarovanému výkonu. Za vydanie tohto vyhlásenia o výkone v súlade s nariadením (EÚ) č. 305/2011 je zodpovedný výlučne vyššie uvedený dovozca.

243

244

Dodatok

Číslo produktu	Typ produktu
37979 (E-351S) CALIMA	Vířivá vaňa
37981 (M-530D) VILLARRICA	Vířivá vaňa
37983 (E-310S) MARFIL	Vířivá vaňa

V mene dovozcu a výrobu podpísal:
Michael Widmer, generálny riaditeľ



6340 Baar 20. 5. 2024