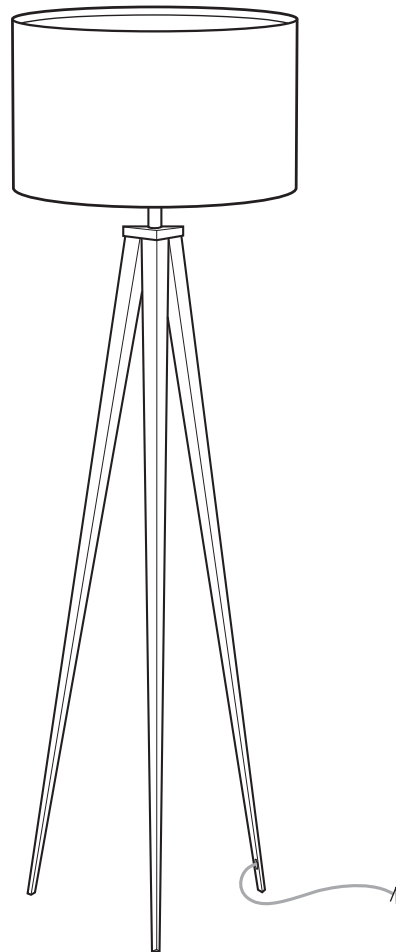


zuiver^o

Name product Floor Lamp TRIPOD
5000800, 5000801, 5000802,
5000805, 5000806, 1001308,
Article number 1001309,

ASSEMBLY INSTRUCTIONS

Please read the instructions carefully for correct and safe assembly.



LAMPSHADE patent

USA: US 8,292,476/
US 9,546,770

China: ZL2008200000799.4

EU: 2098777/2988456

DE/NL: EP2098777

Japan: 3145825

Taiwan: M350672

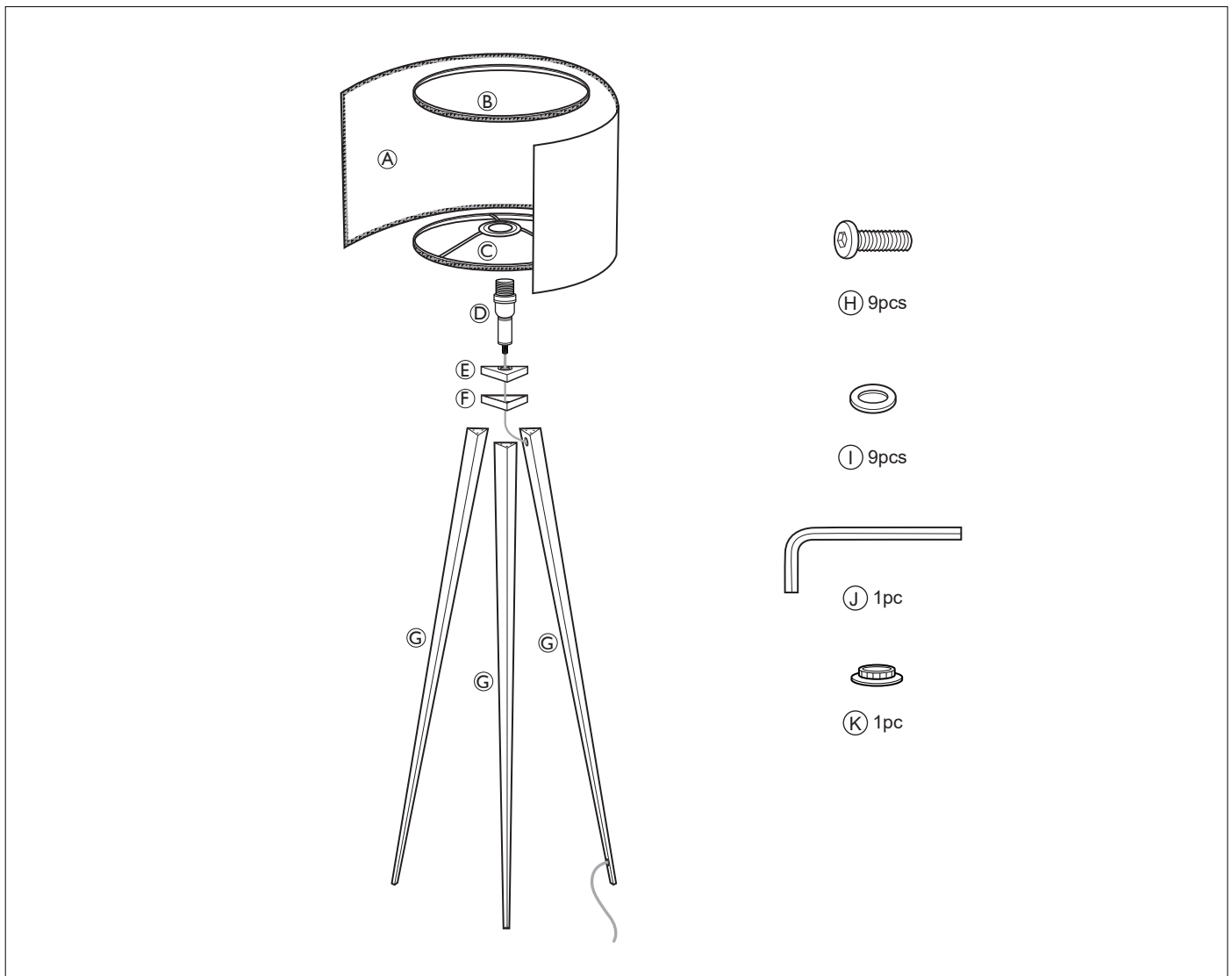
**Thank you for
purchasing this
Zuiver product.**

zuiver^o

Name product Floor Lamp TRIPOD
5000800, 5000801, 5000802,
5000805, 5000806, 1001308,
Article number 1001309,

ASSEMBLY INSTRUCTIONS

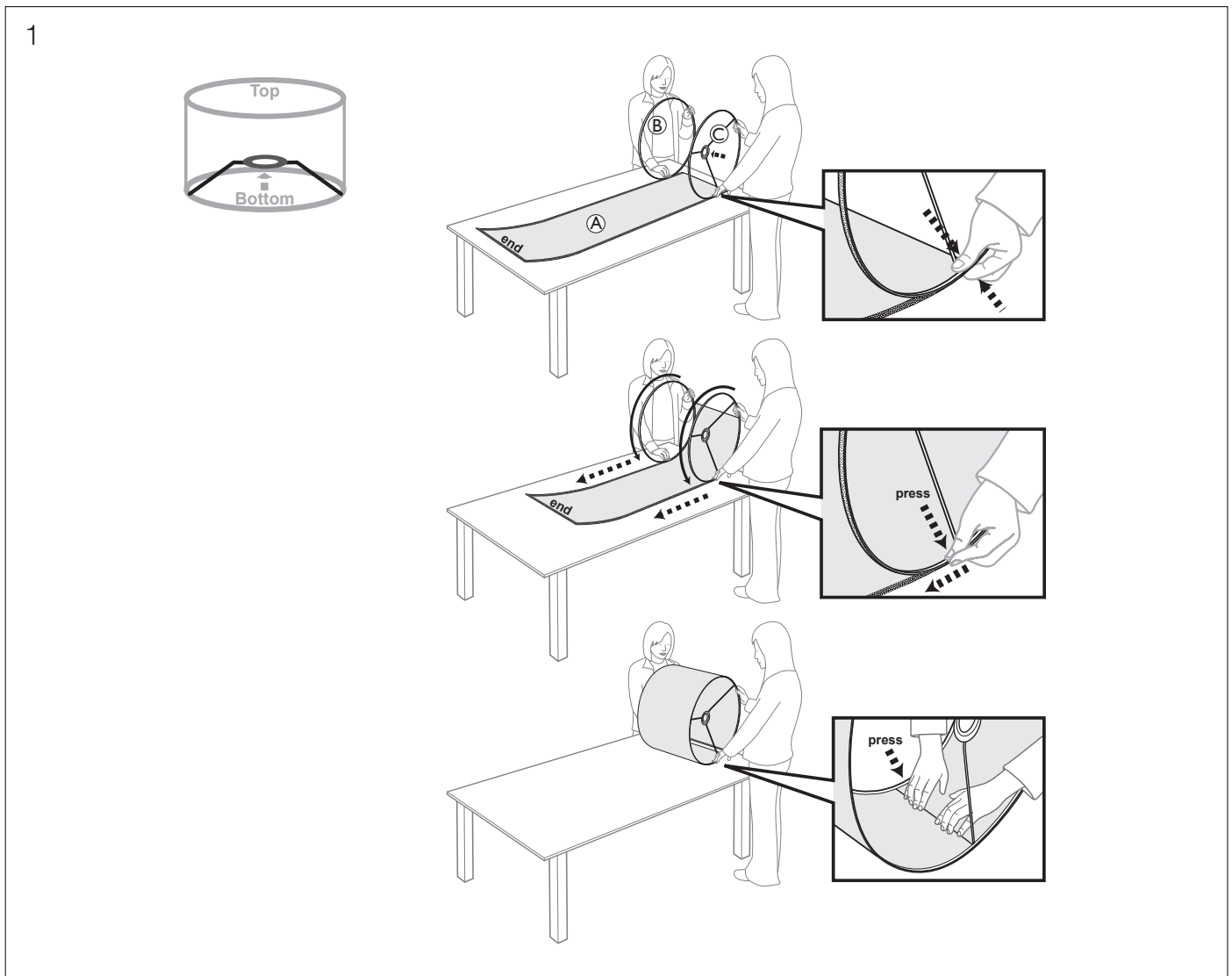
Please read the instructions carefully for correct and safe assembly.



Thank you for
purchasing this
Zuiver product.

ASSEMBLY INSTRUCTIONS

Please read the instructions carefully for correct and safe assembly.



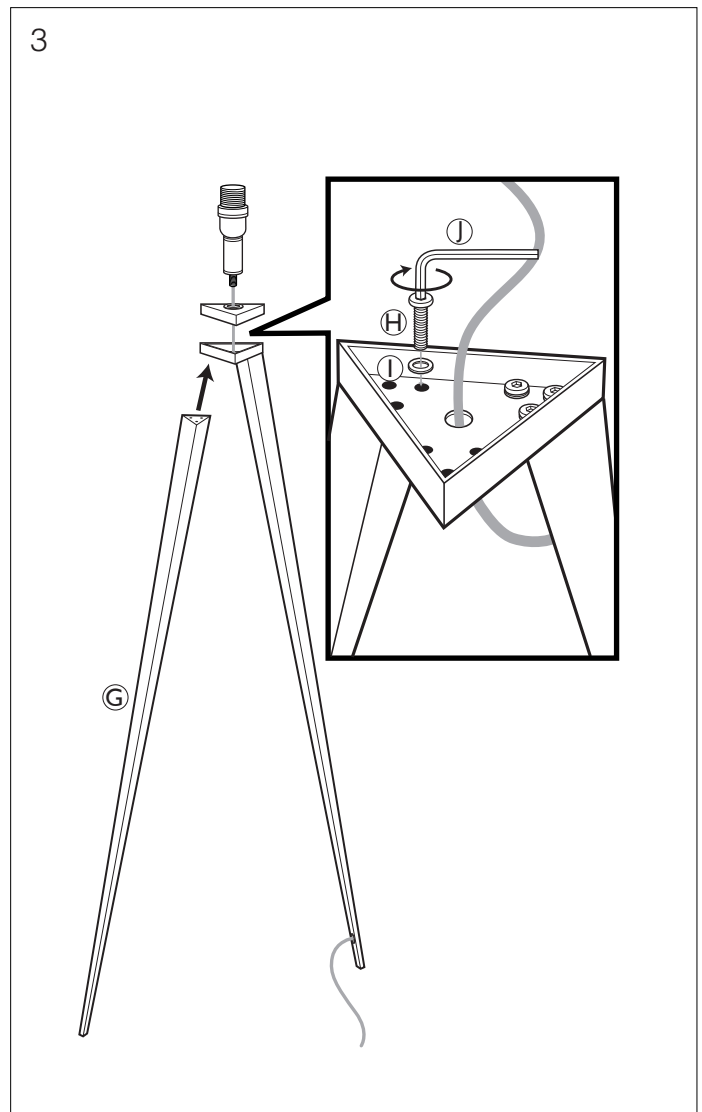
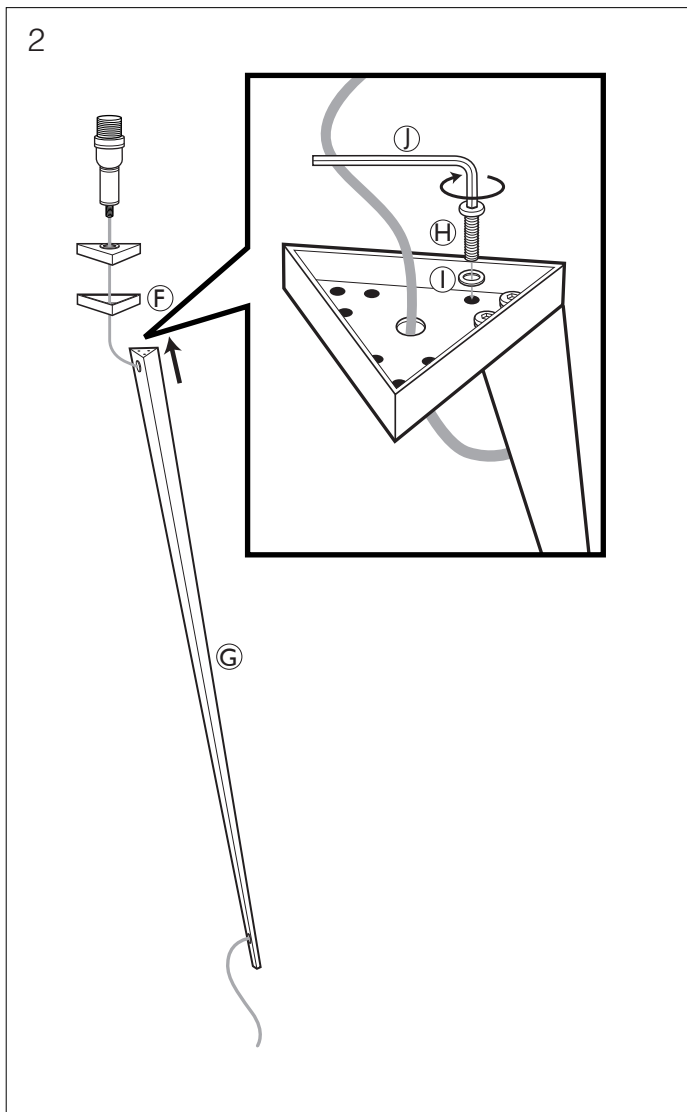
**Thank you for
purchasing this
Zuiver product.**

zuiver^o

Name product Floor Lamp TRIPOD
5000800, 5000801, 5000802,
5000805, 5000806, 1001308,
Article number 1001309,

ASSEMBLY INSTRUCTIONS

Please read the instructions carefully for correct and safe assembly.



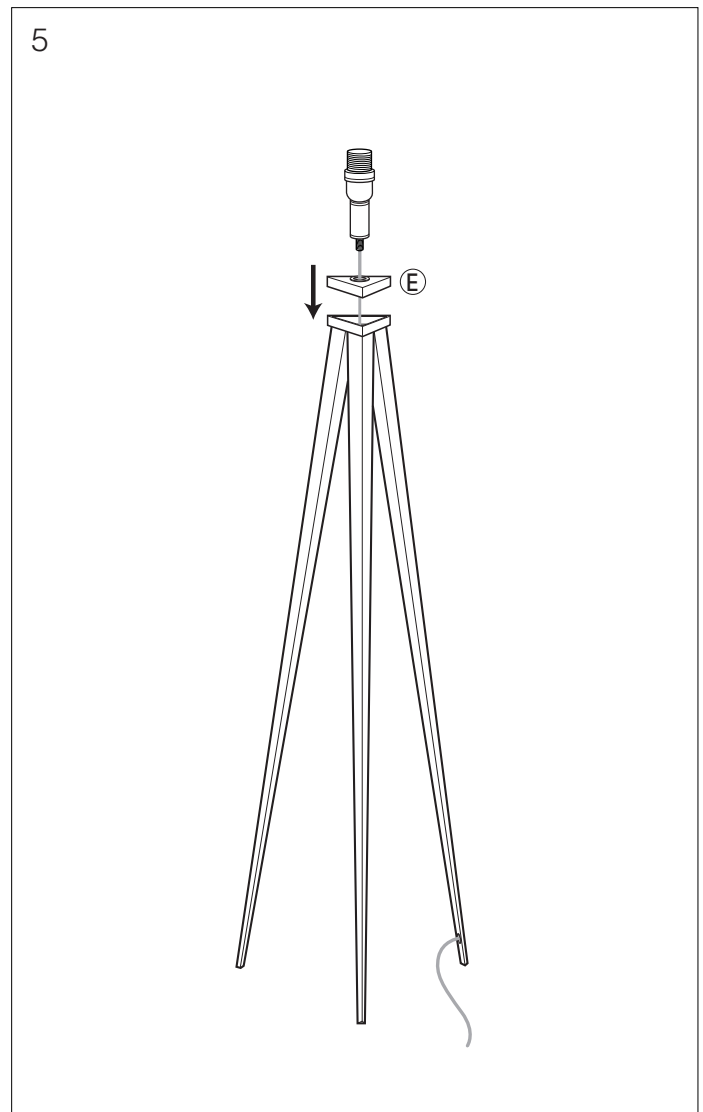
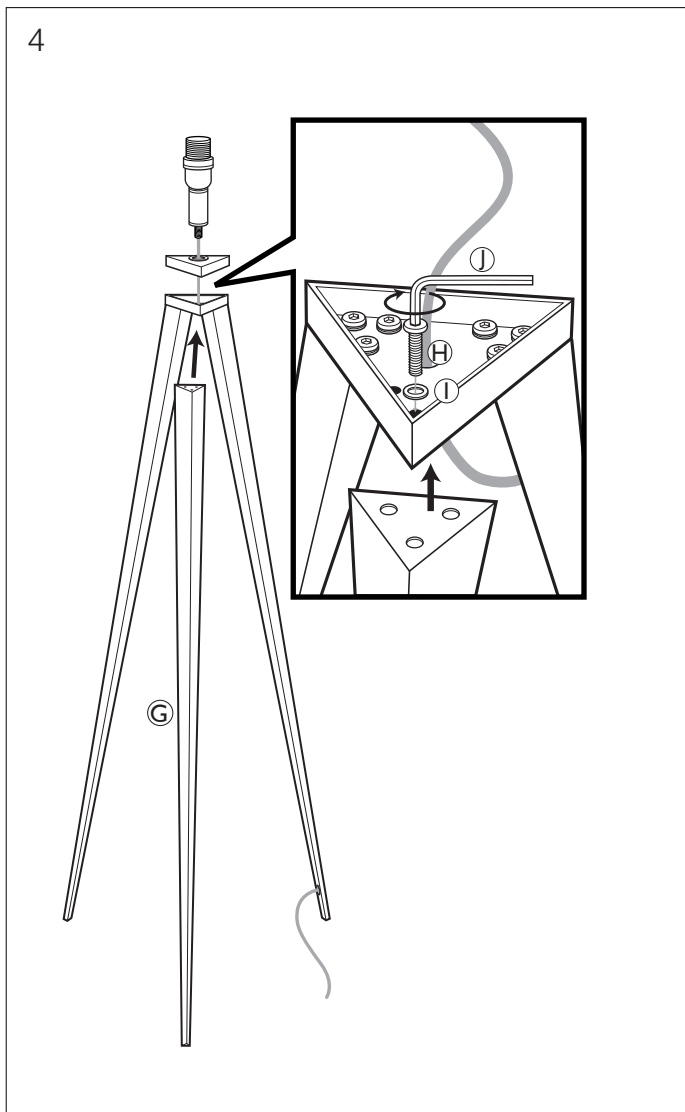
**Thank you for
purchasing this
Zuiver product.**

zuiver°

Name product Floor Lamp TRIPOD
5000800, 5000801, 5000802,
5000805, 5000806, 1001308,
Article number 1001309,

ASSEMBLY INSTRUCTIONS

Please read the instructions carefully for correct and safe assembly.



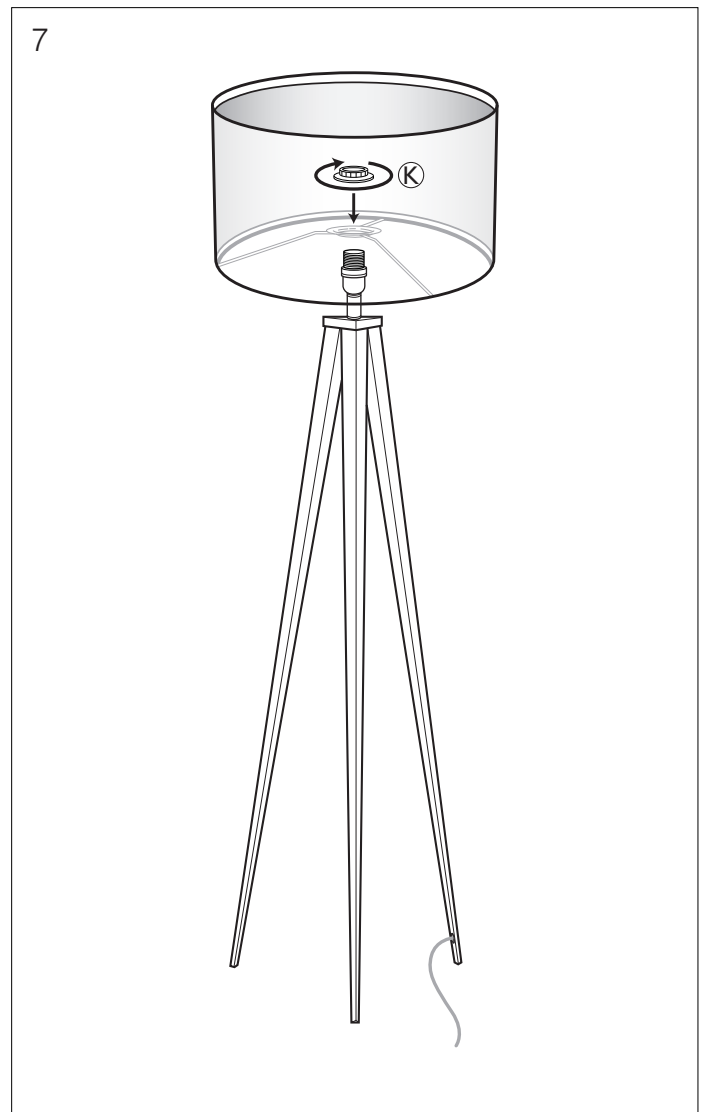
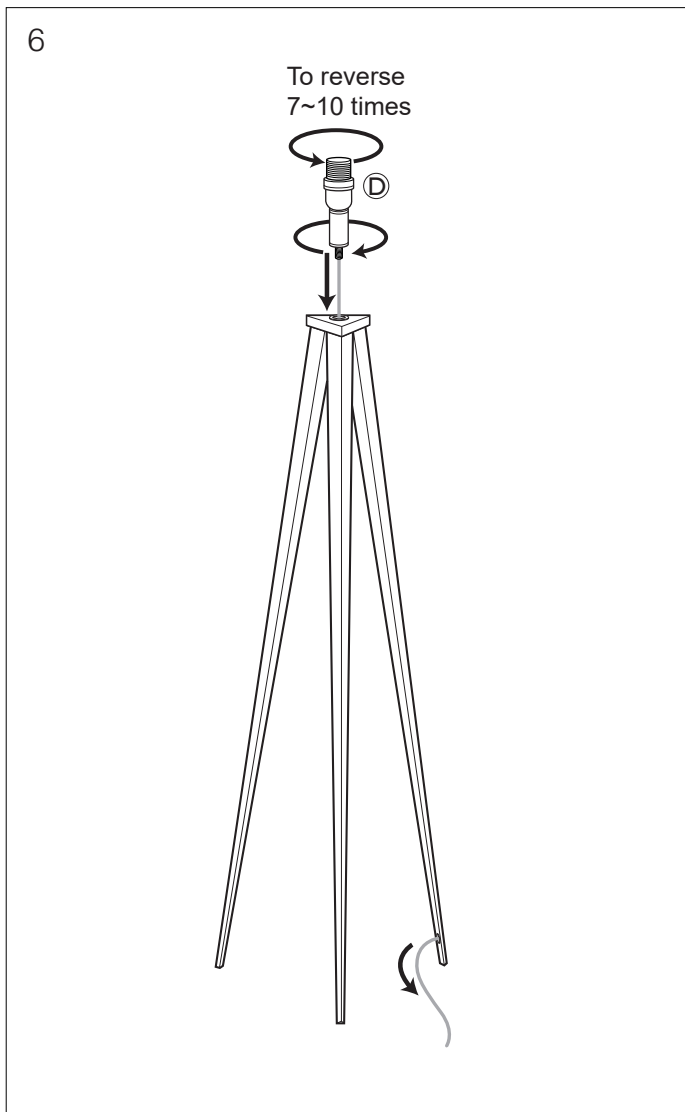
**Thank you for
purchasing this
Zuiver product.**

zuiver^o

Name product Floor Lamp TRIPOD
5000800, 5000801, 5000802,
5000805, 5000806, 1001308,
Article number 1001309,

ASSEMBLY INSTRUCTIONS

Please read the instructions carefully for correct and safe assembly.



**Thank you for
purchasing this
Zuiver product.**