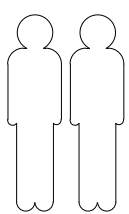
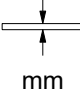
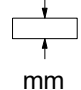
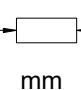
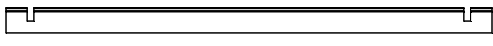



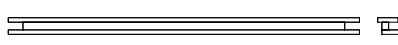

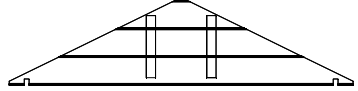
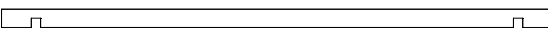
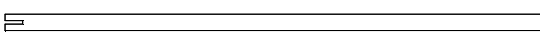
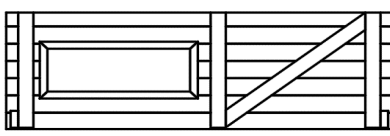
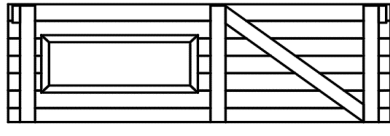

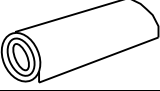
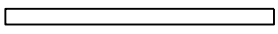
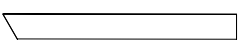

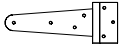

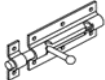
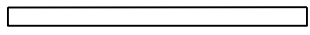
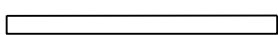


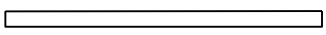
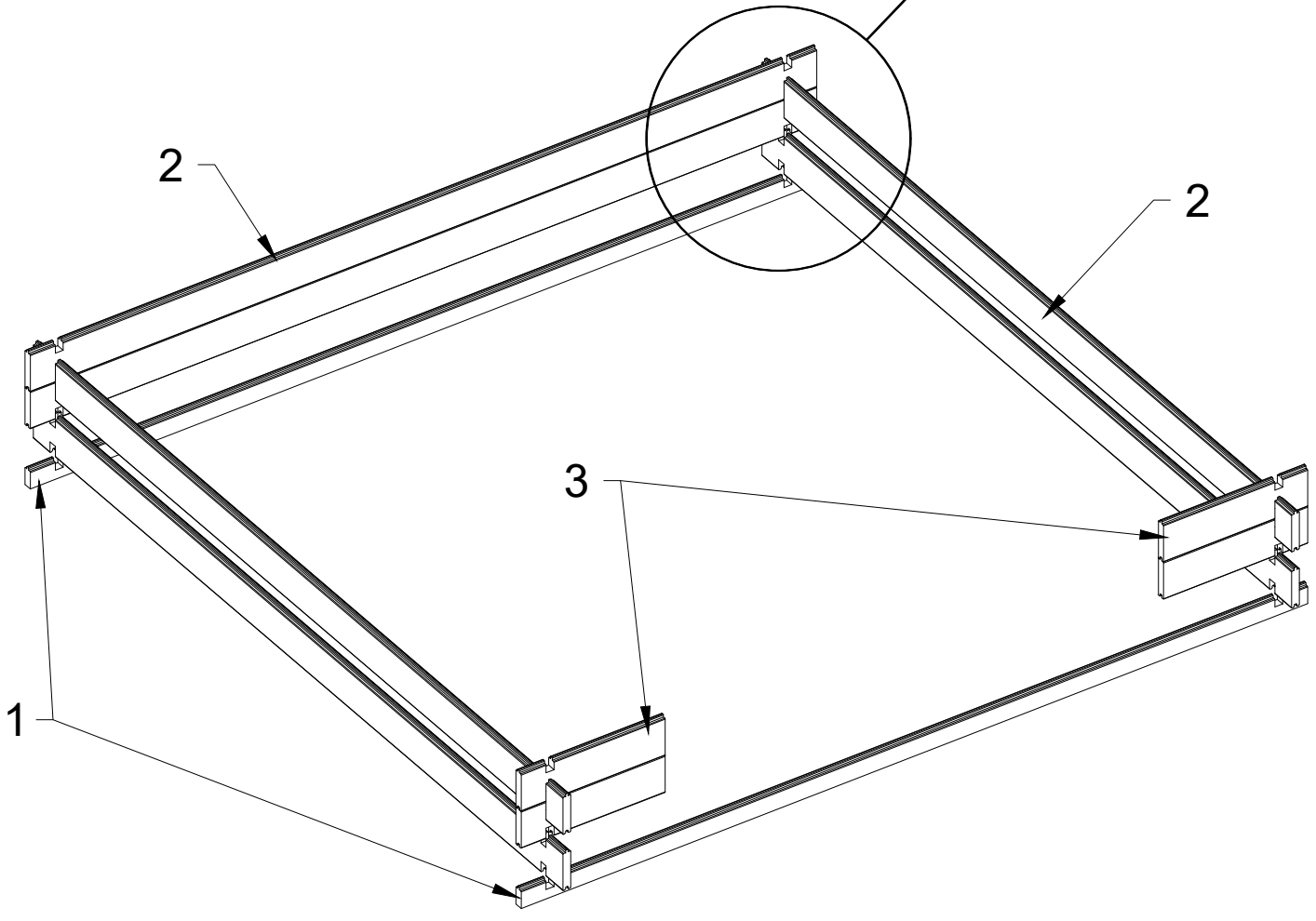
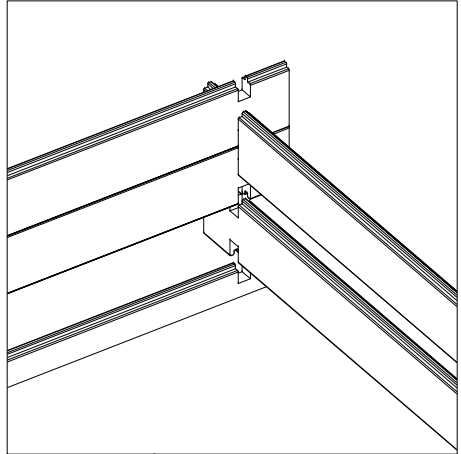
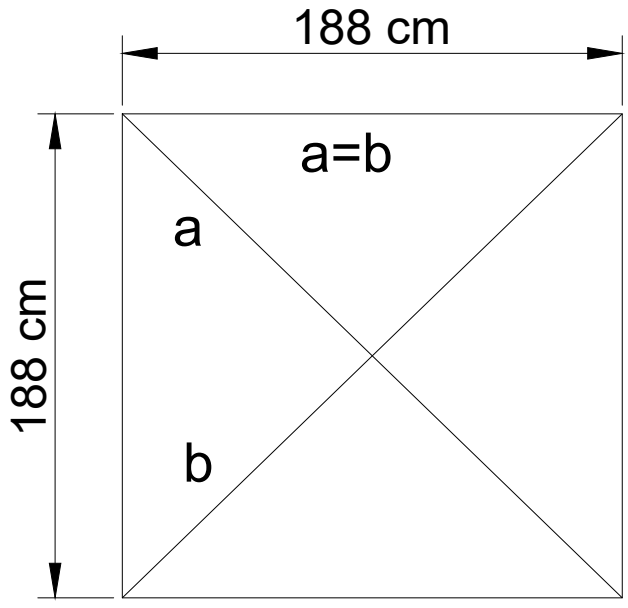


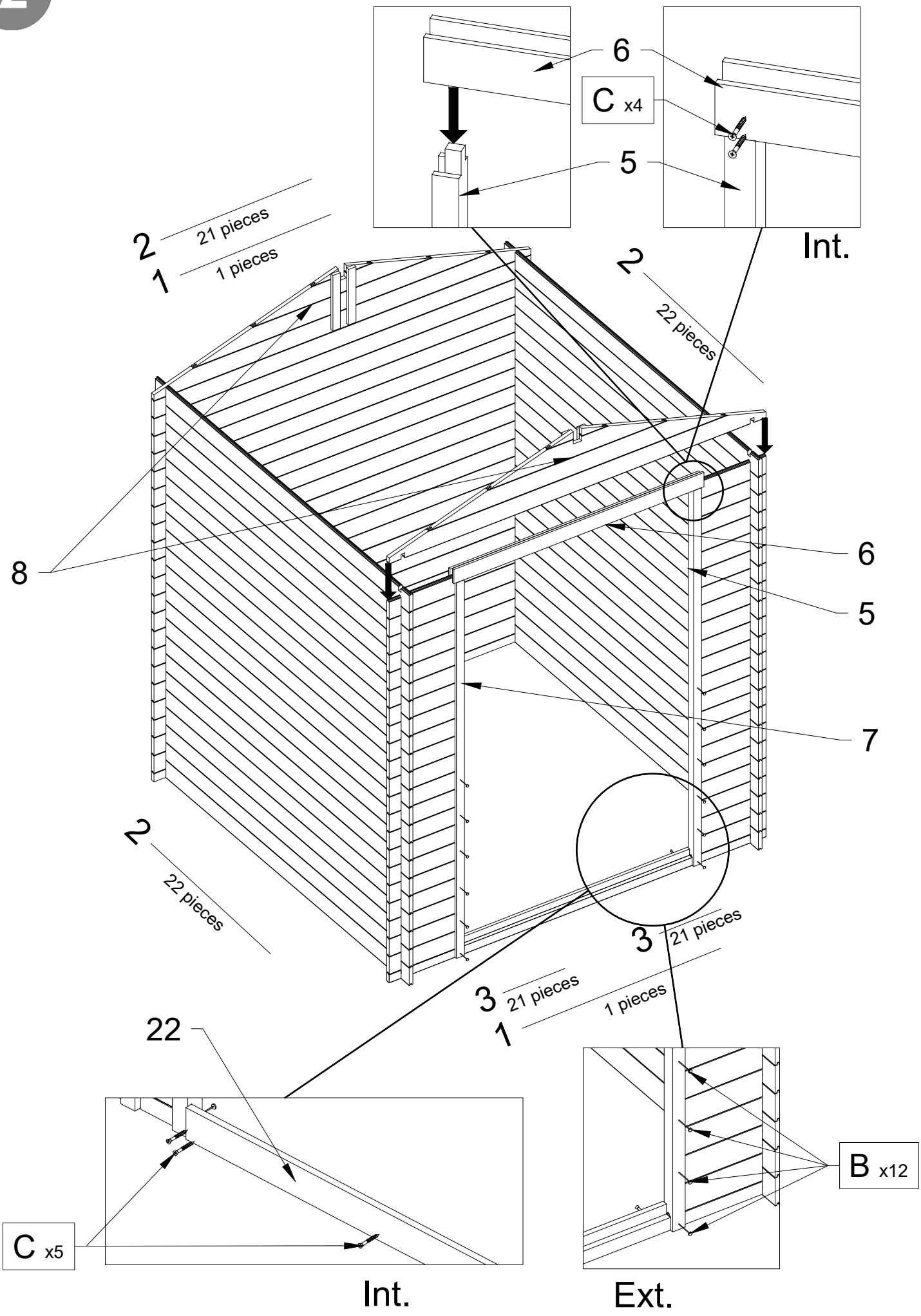
- |          |        |       |  |
|----------|--------|-------|--|
| <b>A</b> | 4x45   | x 24  |  |
| <b>B</b> | 1.4x25 | x 40  |  |
| <b>C</b> | 3x25   | x 117 |  |
| <b>D</b> | 6x50   | x 4   |  |
| <b>E</b> | 3x20   | x 24  |  |



№		PCS	 mm	 mm	 mm
1		2	19	52	2000
2		65	19	92	2000
3		42	19	92	384
5		1	38	38	1842
6		1	48	84	1290
7		1	38	38	1842
8		2		305	2000
9		1	40	60	2000
10		4	15	35	1800
11D		1		585	1760
11G		1		585	1760
12A		6	OSB	666	1100
13A		4		1000	1100
13B		2		500	1100
14		8	15	35	1080
15		4	13	92	1120
17		2	15	75	145
18		6			
19		3			
19.1		1			
20		1	15	35	941
20.1		1	15	35	768
21		4	OSB	35	1000
22		1	15	69	1180
24		4	15	35	1000

1





3

Int.

Ext.

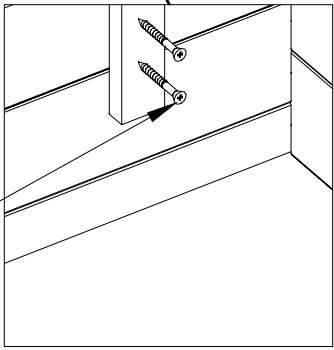
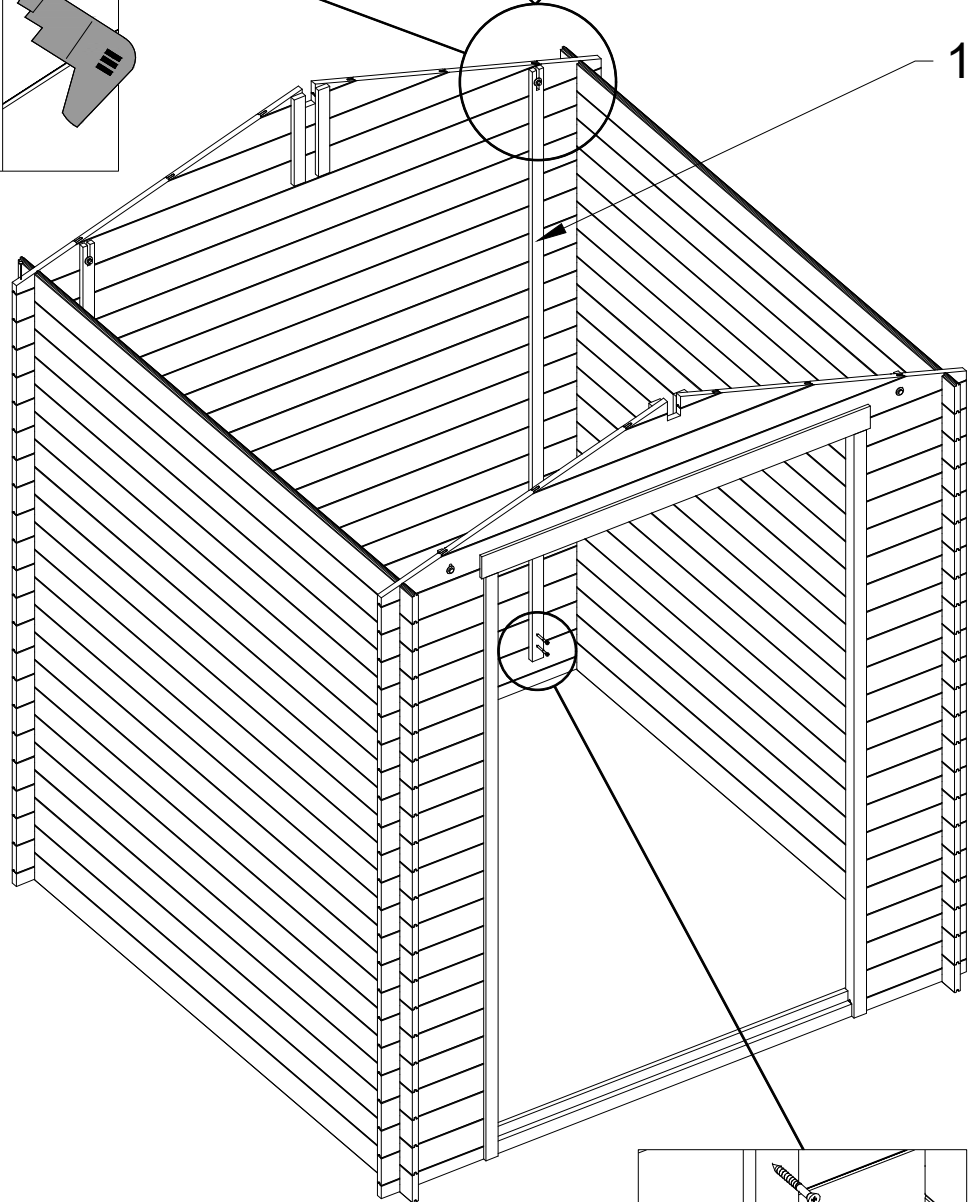
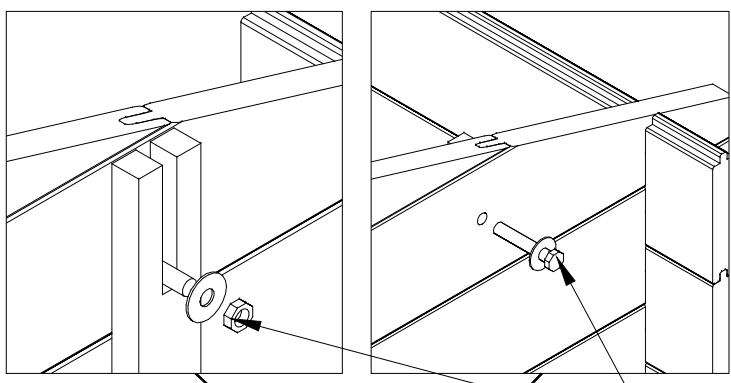
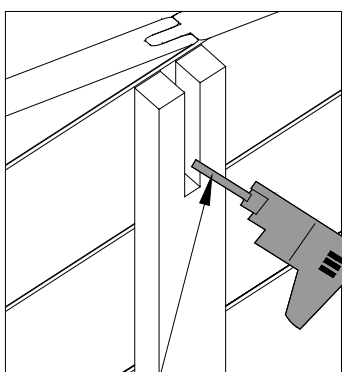
Int.

D x4

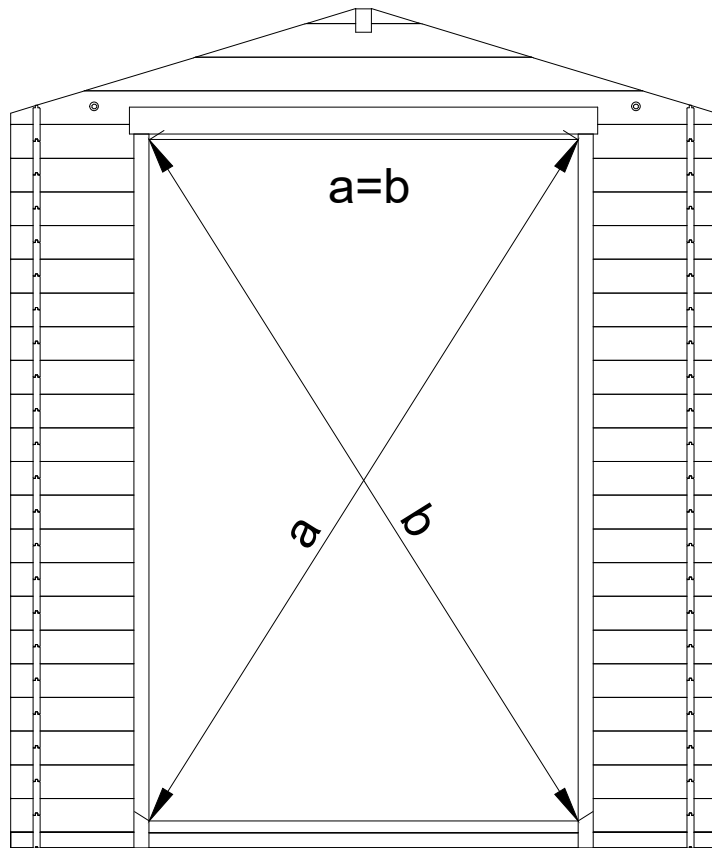
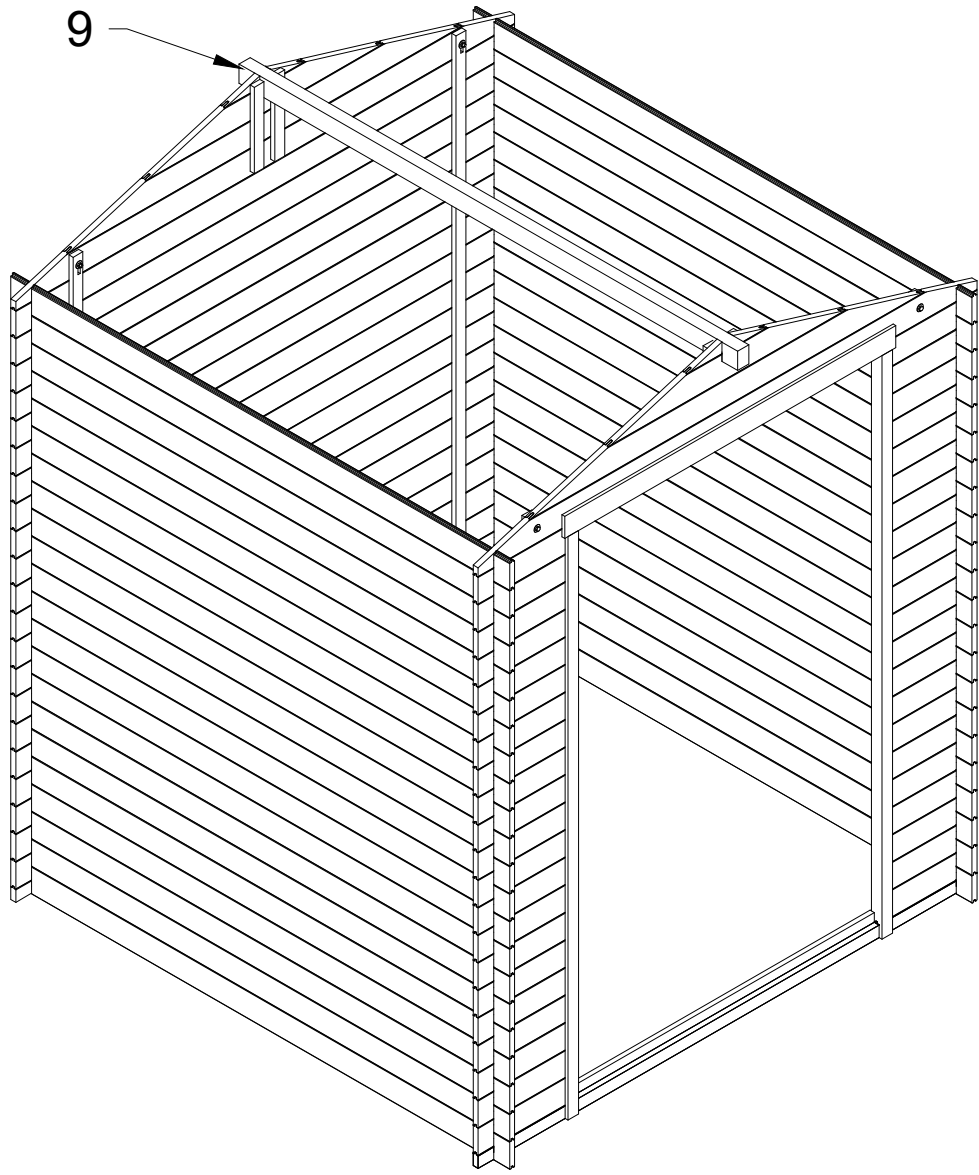
10

Ø6

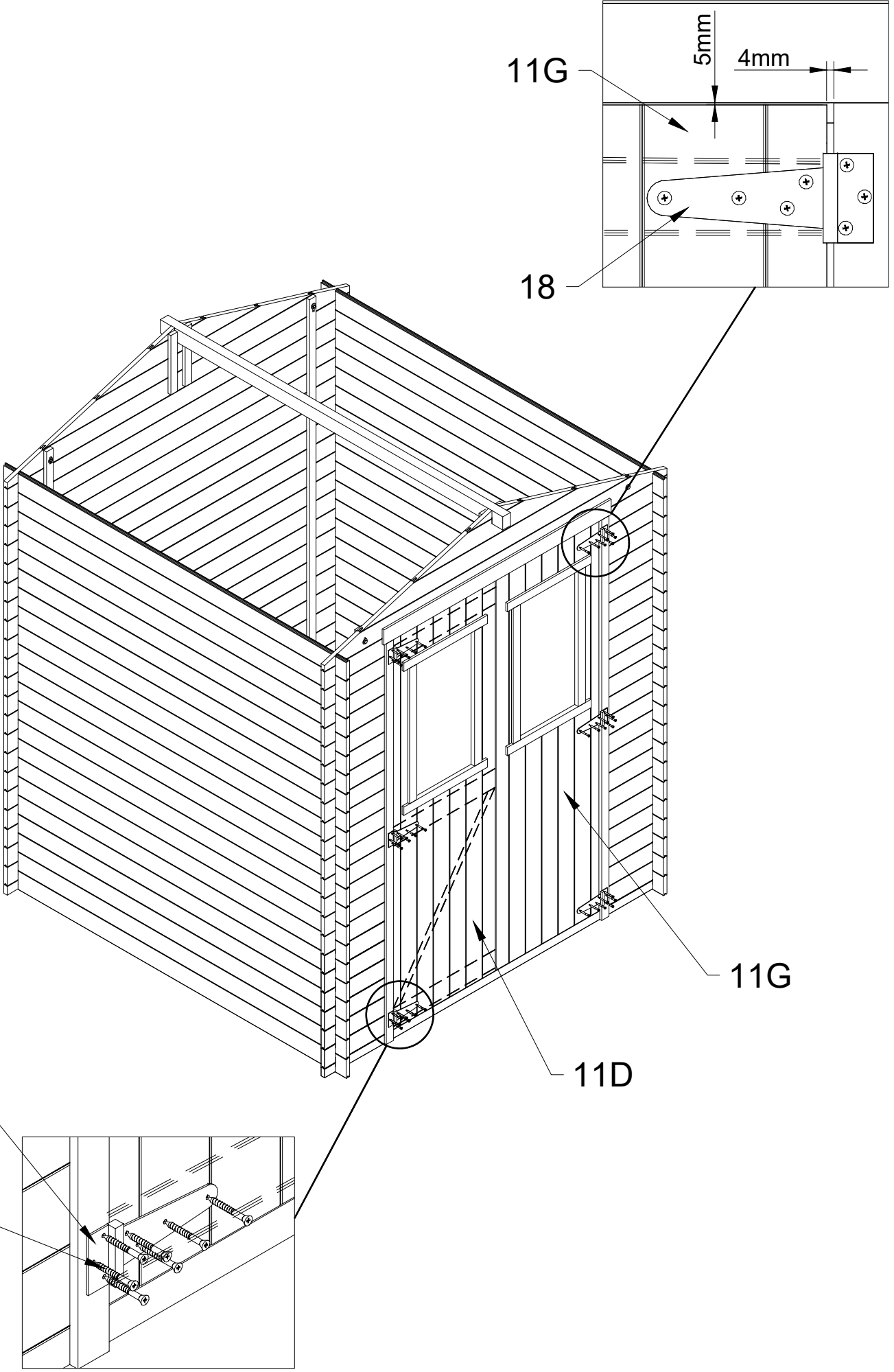
C x8

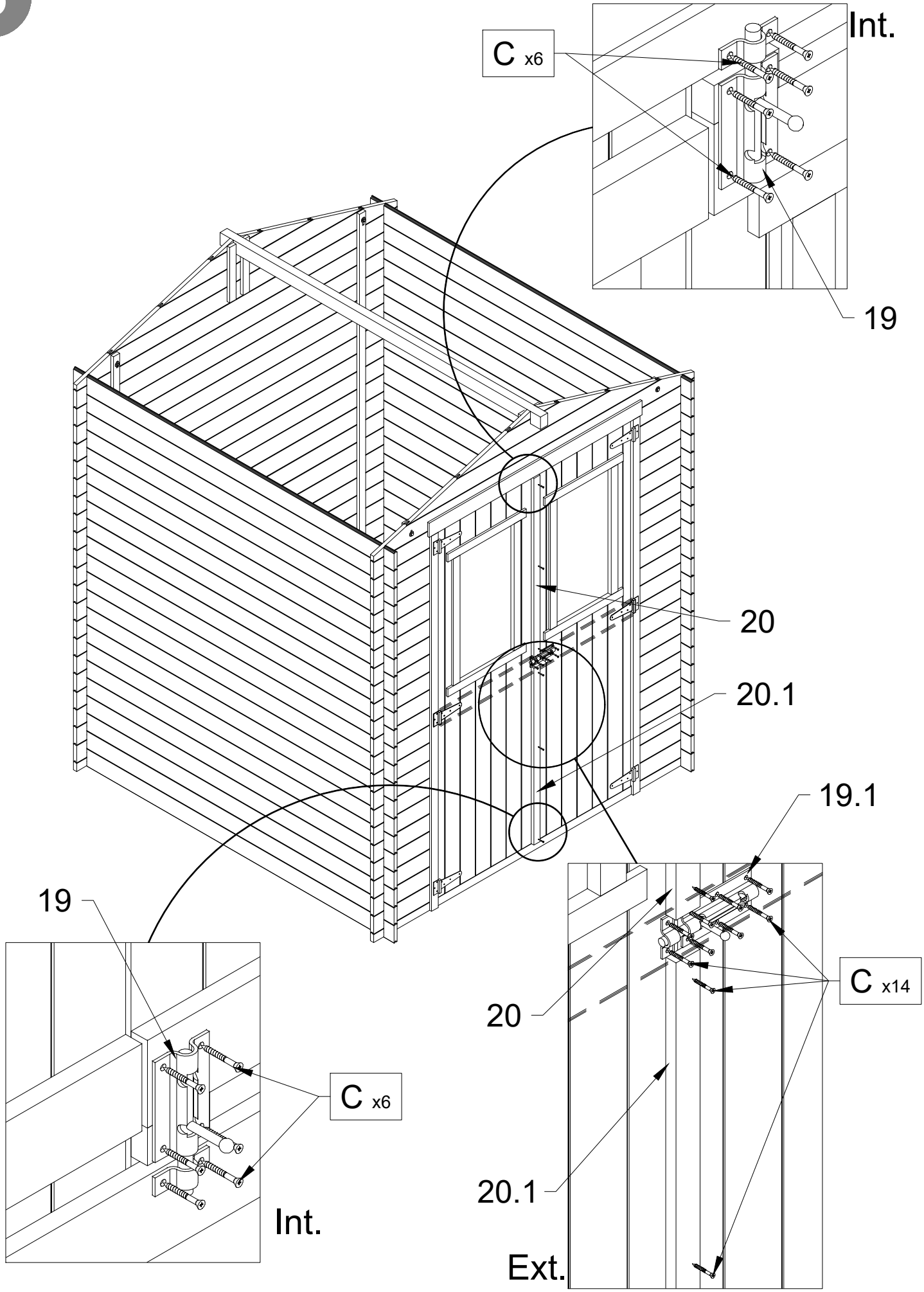


4



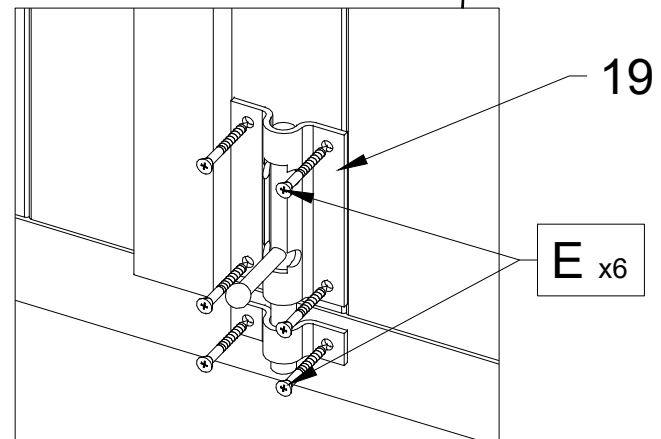
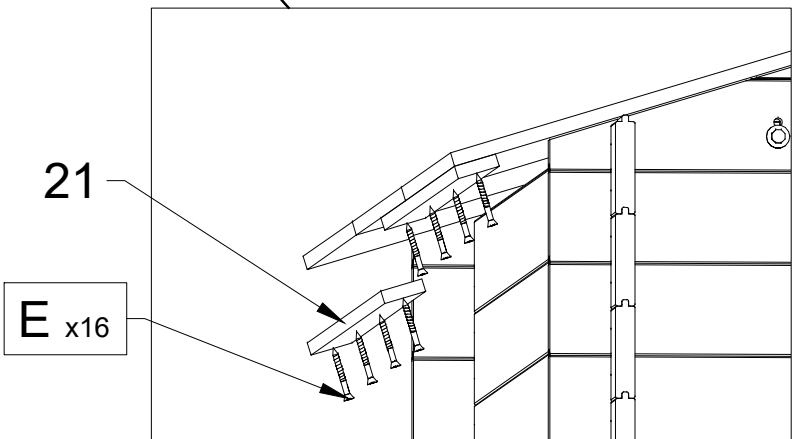
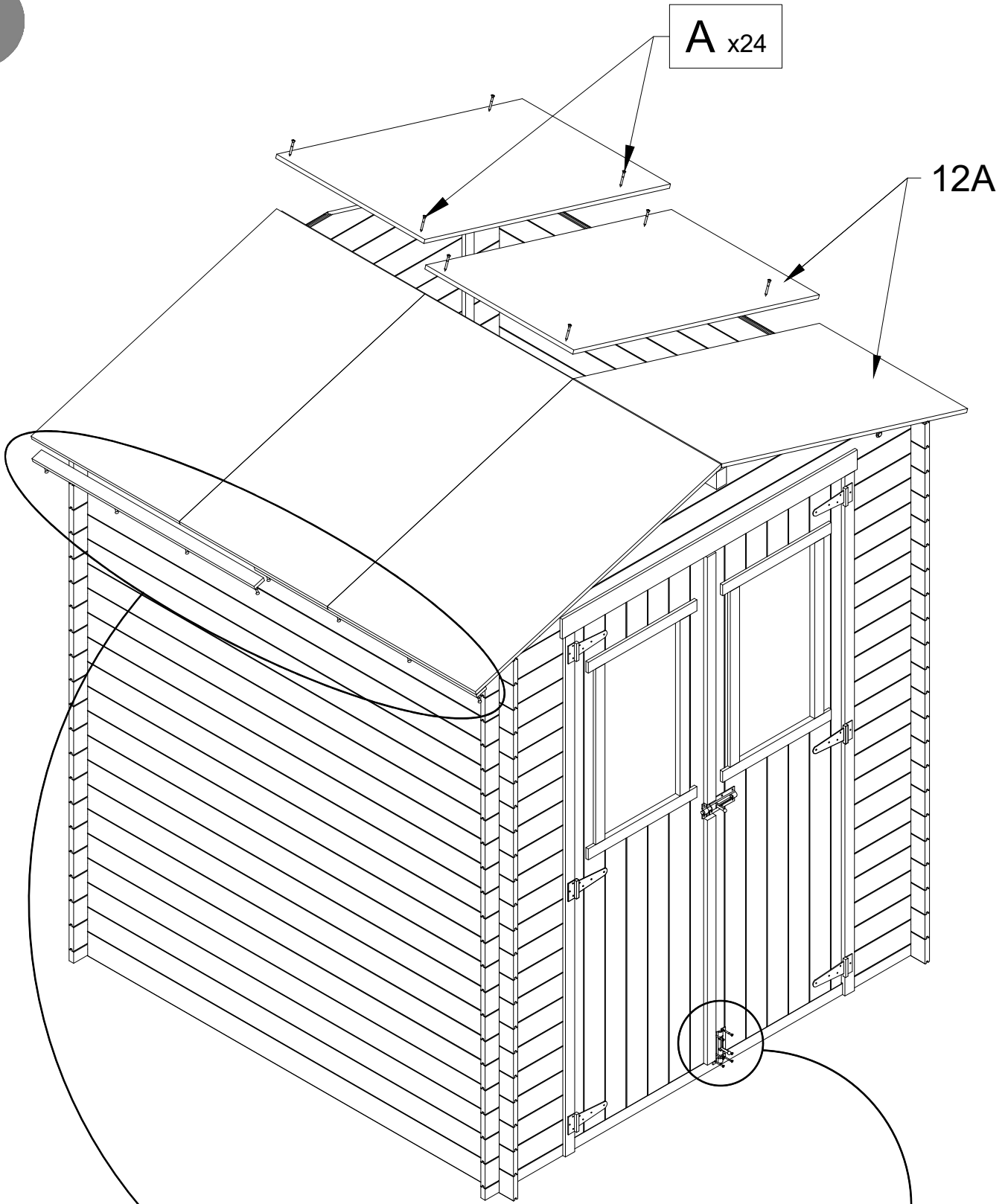
5



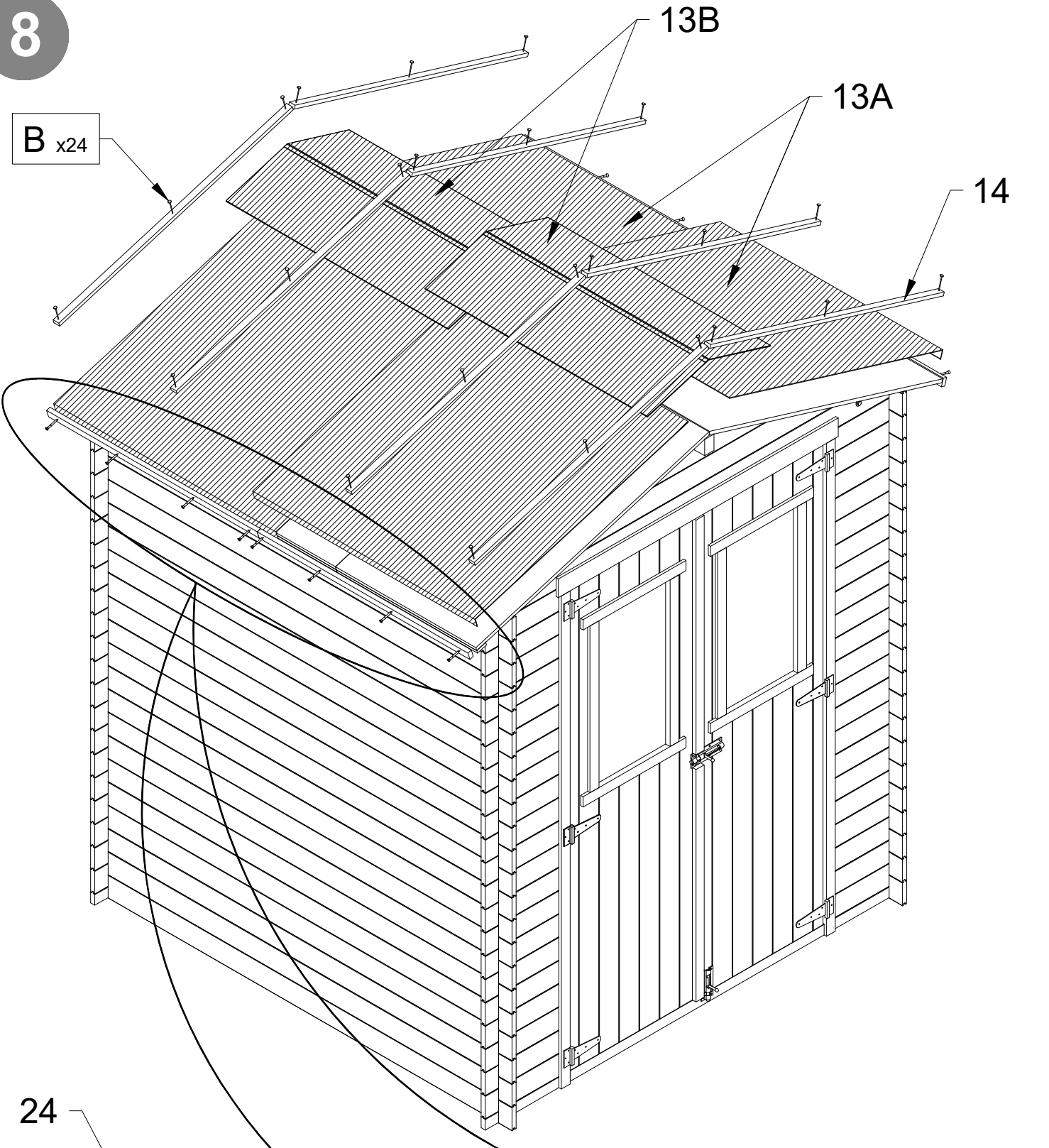




7



8



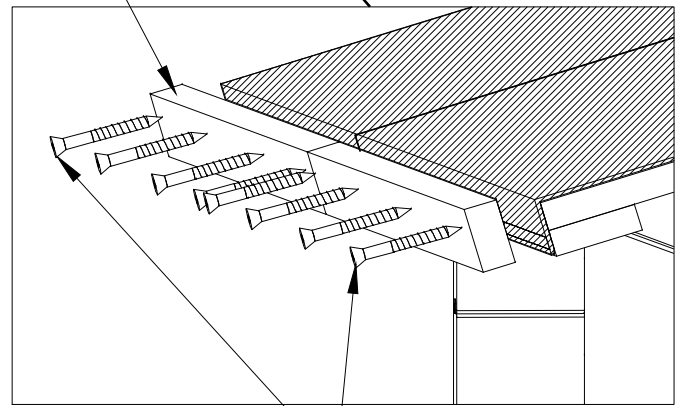
B x24

13B

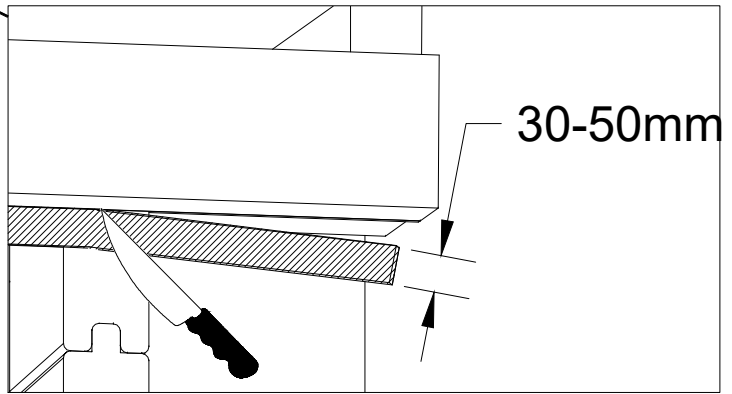
13A

14

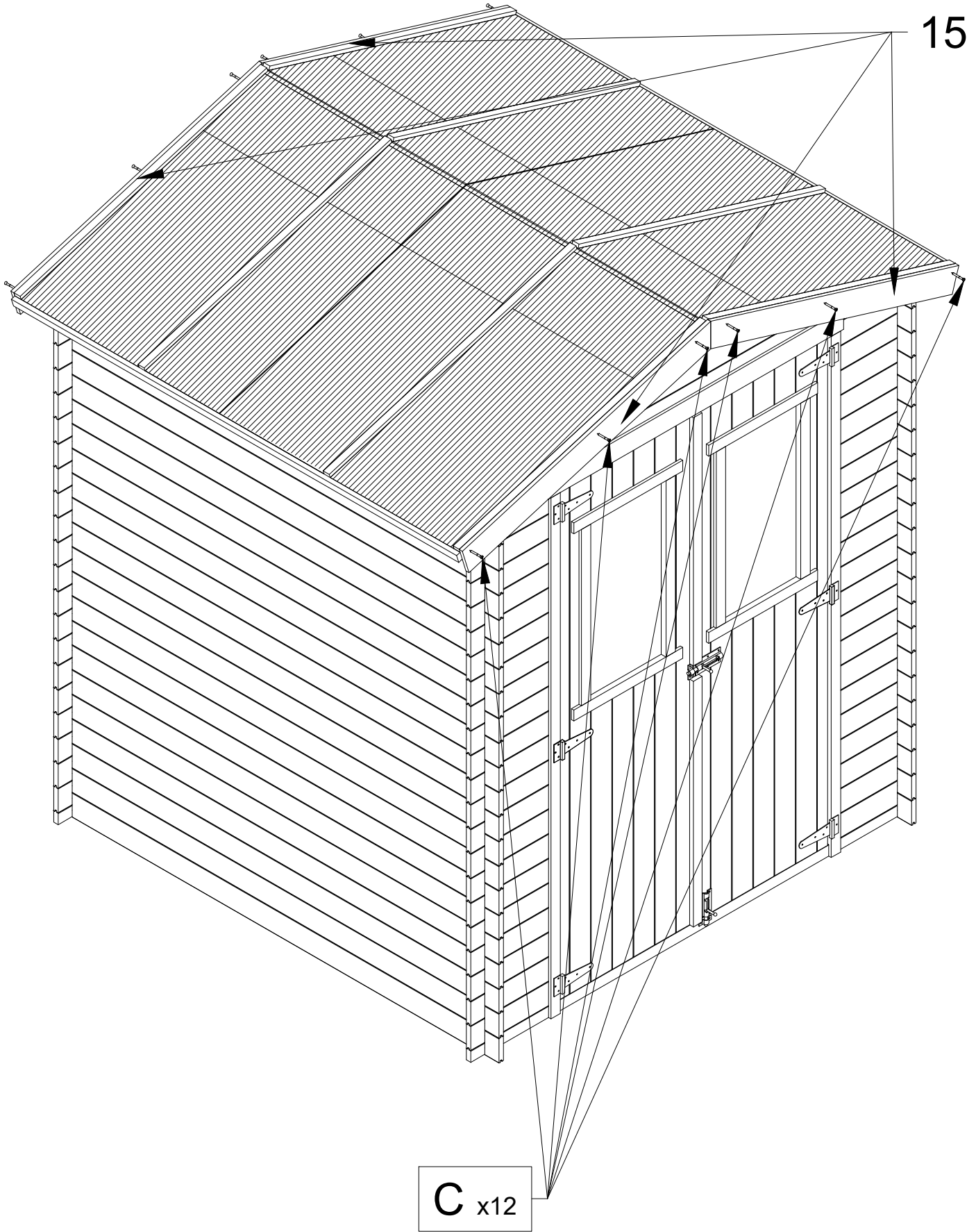
24



C x16

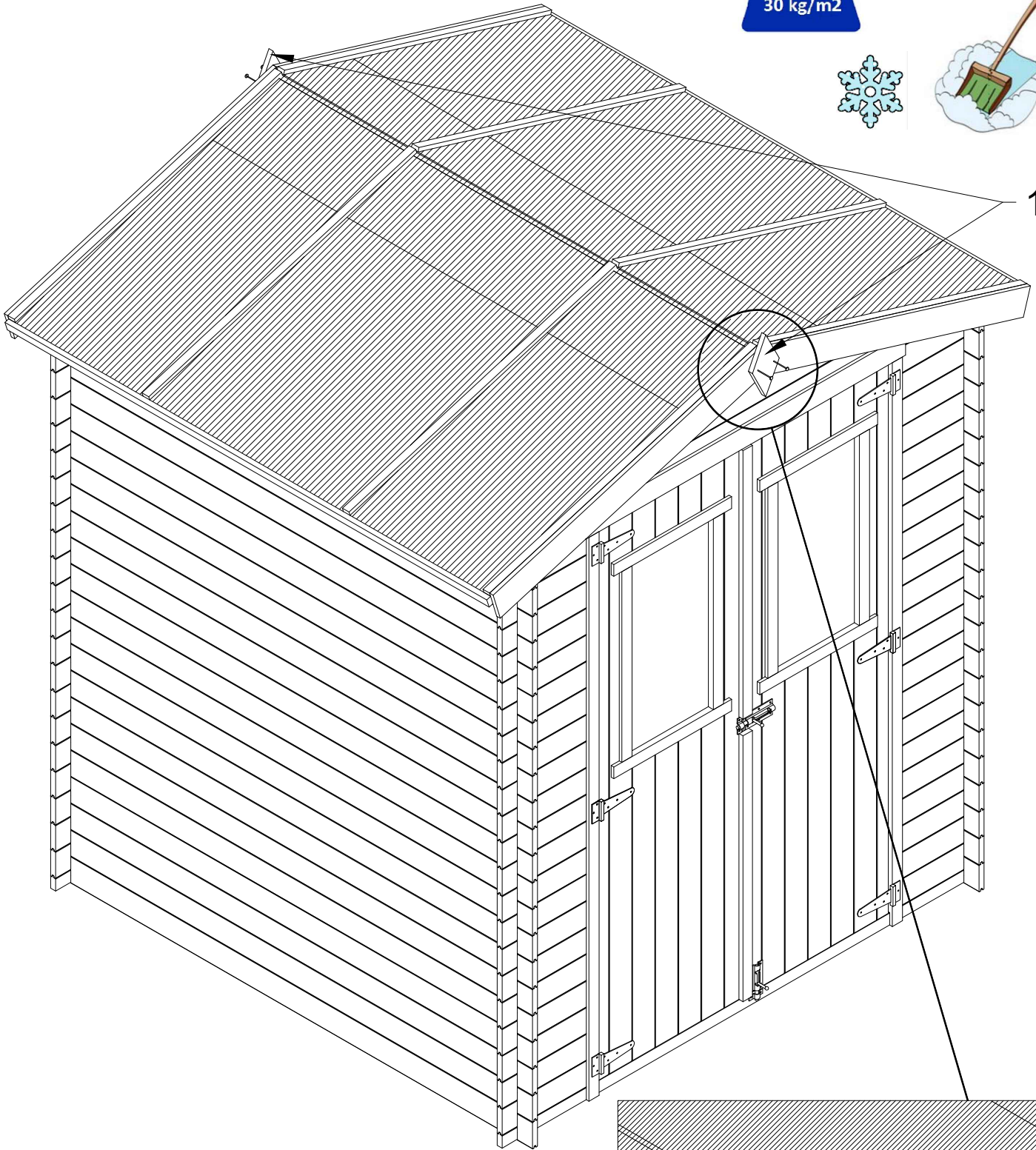


30-50mm

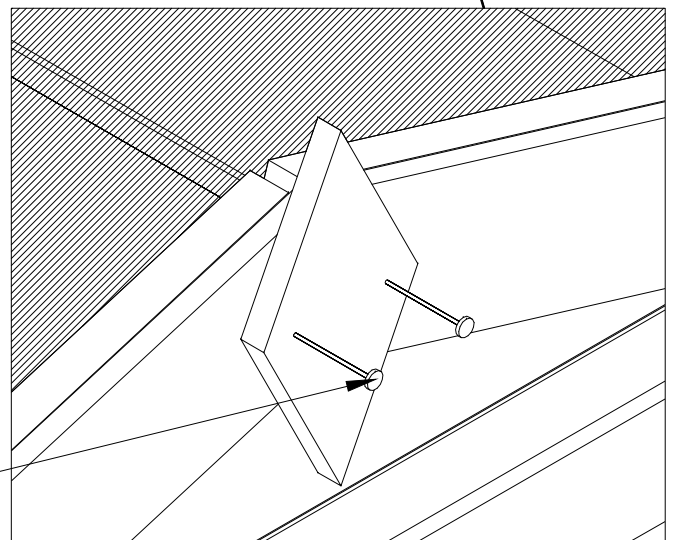


10

MAX  
30 kg/m<sup>2</sup>



17



B x4