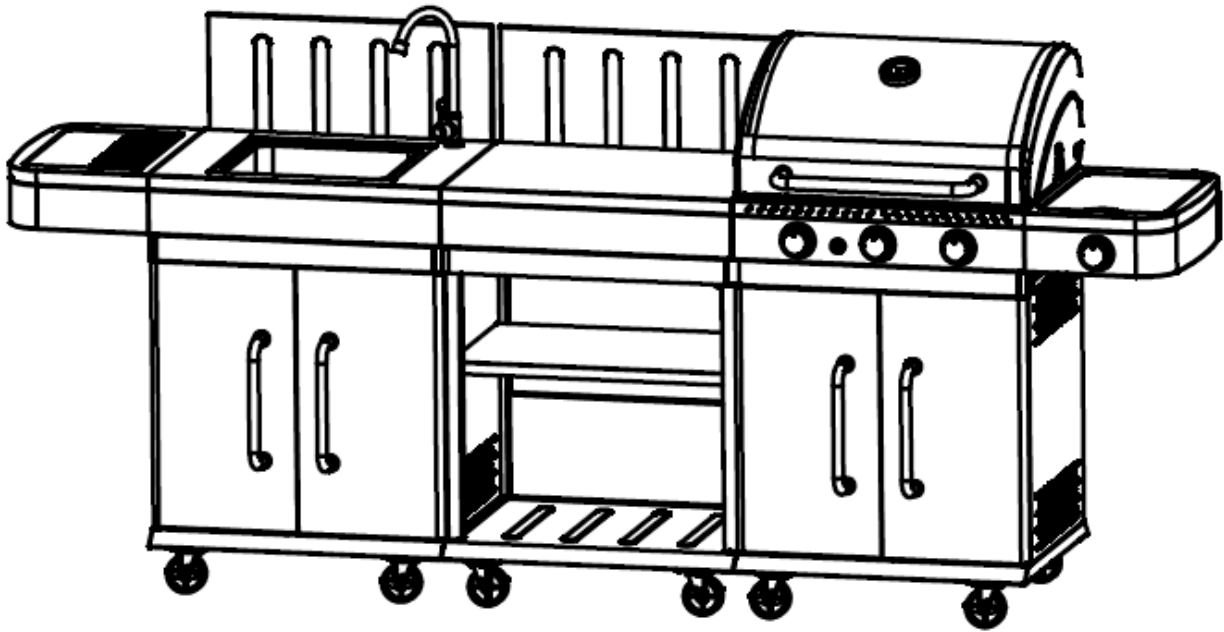

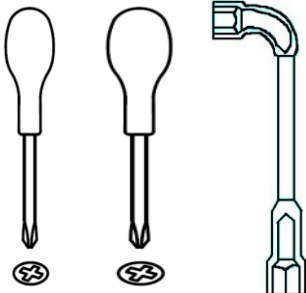

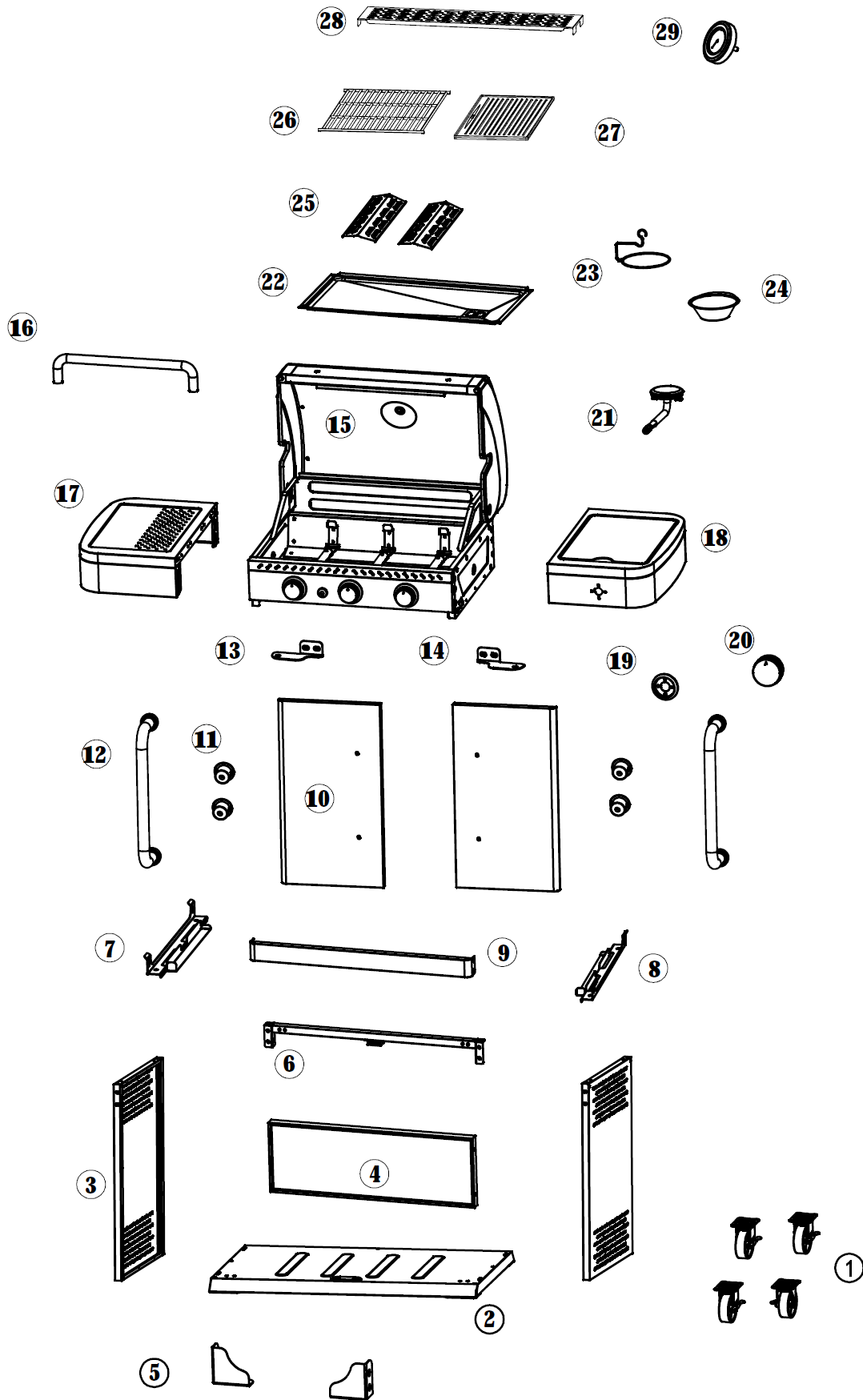
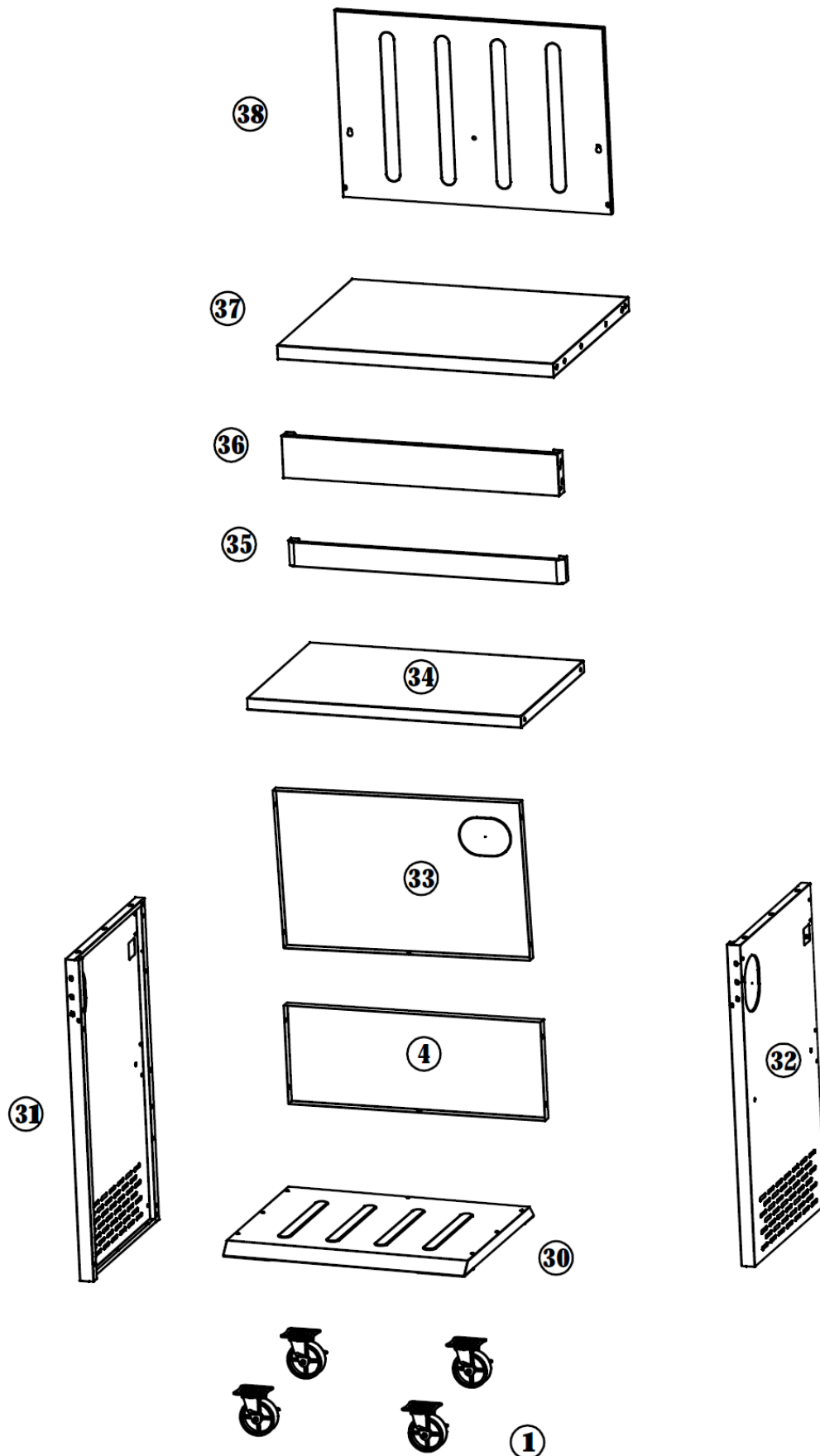


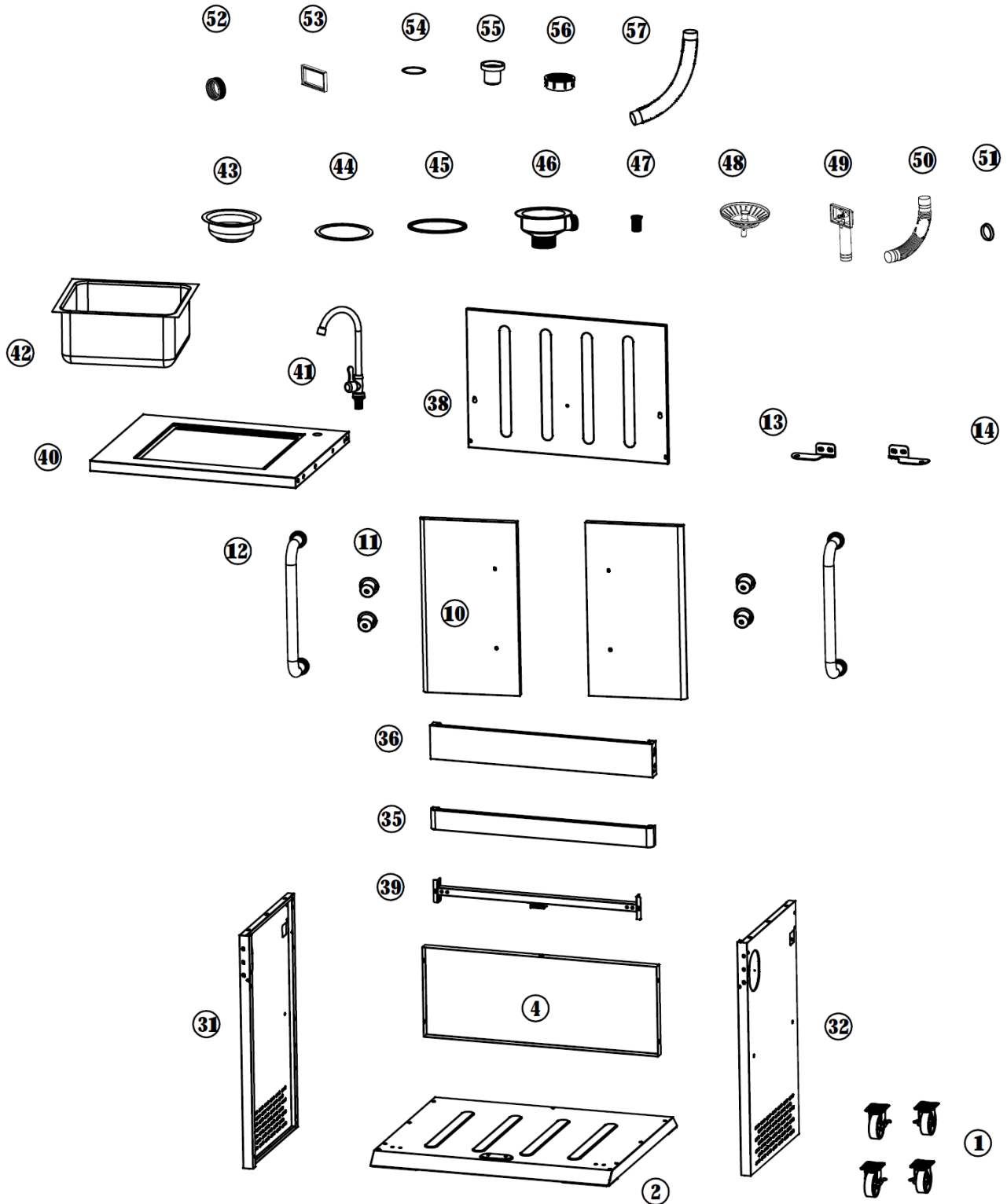
FIDGI






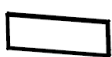











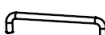

















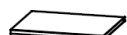
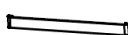
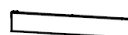
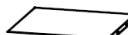


































		 150min
---	--	--

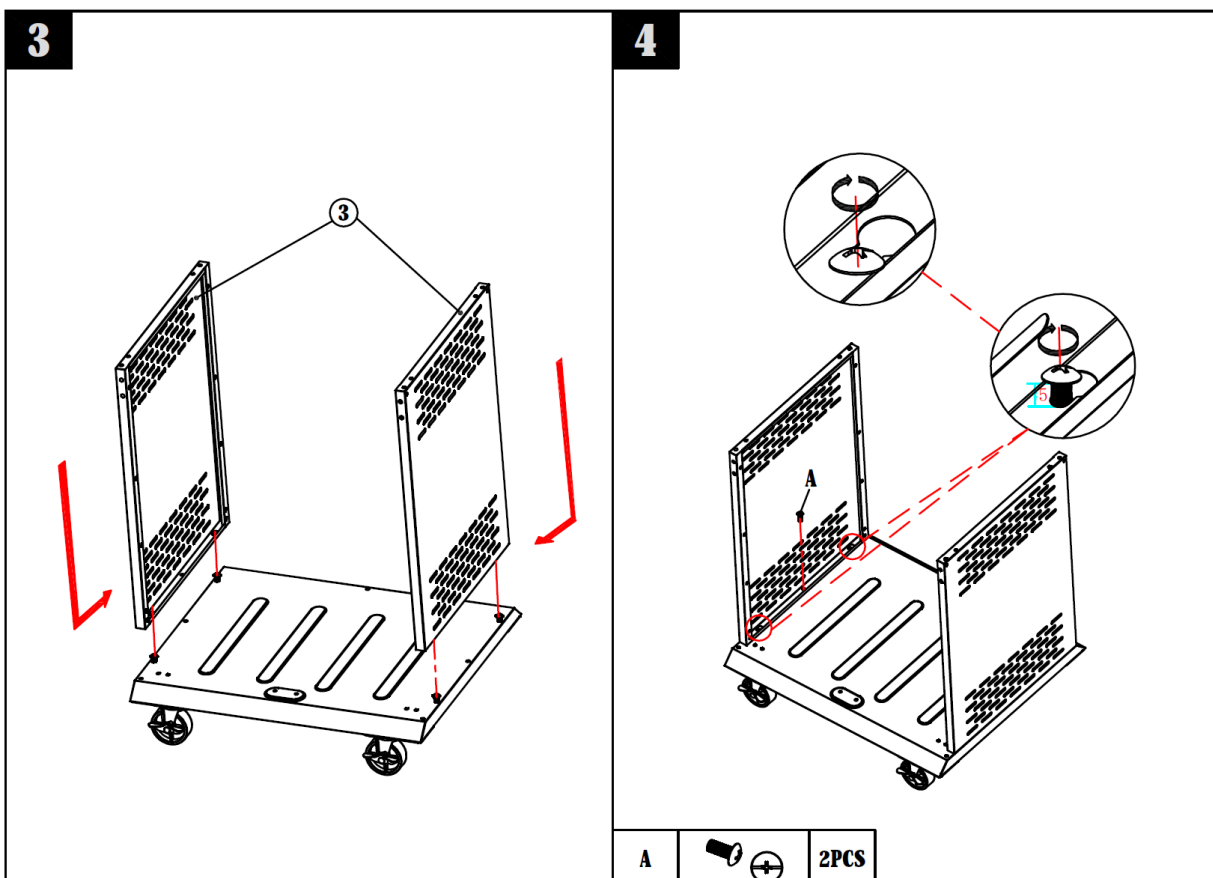
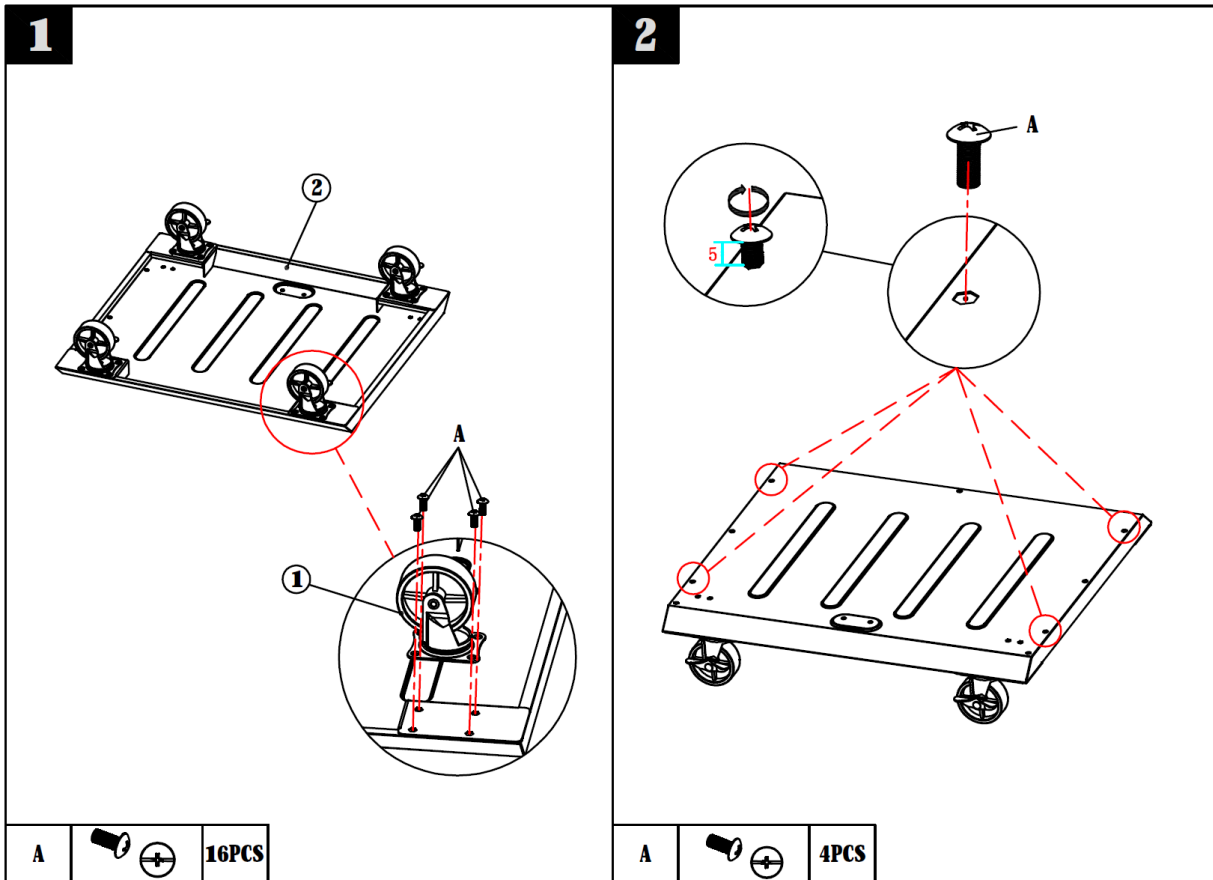






FIDGI

① *12 	② *2 	③ *2 	④ *3 	⑤ *2 	⑥ *1 	⑦ *1(L) 	⑧ *1(R) 
⑨ *1 	⑩ *4 	⑪ *8 	⑫ *4 	⑬ *2(L) 	⑭ *2(R) 	⑮ *1 	⑯ *1 
⑰ *1 	⑱ *1 	⑲ *1 	⑳ *1 	㉑ *1 	㉒ *1 	㉓ *1 	㉔ *1 
㉕ *2 	㉖ *1 	㉗ *1 	㉘ *1 	㉙ *1 	㉚ *1 	㉛ *2(L) 	㉜ *2(R) 
㉝ *1 	㉞ *1 	㉟ *2 	㊱ *2 	㊲ *1 	㊳ *2 	㊴ *1 	㊵ *1 
㊶ *1 	㊷ *1 	㊸ *1 	㊹ *1 	㊺ *1 	㊻ *1 	㊼ *1 	㊽ *1 
㊾ *1 	㊿ *1 	① *1 	② *1 	③ *1 	④ *1 	⑤ *1 	⑥ *1 
⑦ *1 							
A M5-10*151 	B M5-12*16 	C M4-8*14 	D M6-15*8 	E*2 	F*8 	G M4-8*16 	H *4 
I *2 	J M5-16*9 	K M5*4 	L *4 	M M4-10*1 	N ϕ 28-2*1 		



5

A		5PCS
---	--	------

6

A		8PCS
---	--	------


7

C		2PCS
E		1PC


8

A		2PCS
B		6PCS


9

B  **4PCS**

10

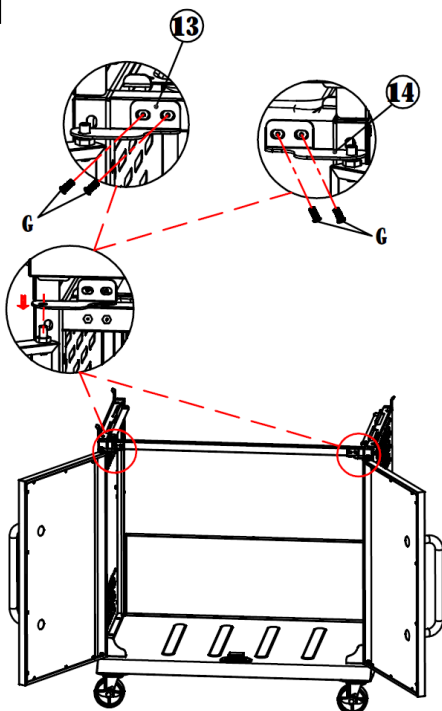
D  **4PCS**

11

F  **4PCS**

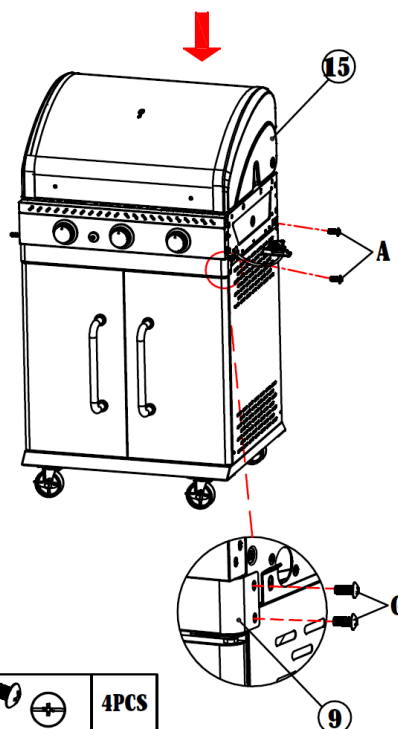
12

13



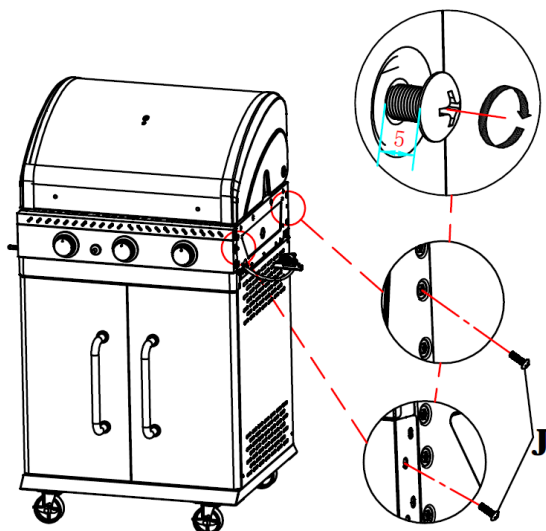
G		4PCS
---	--	------

14



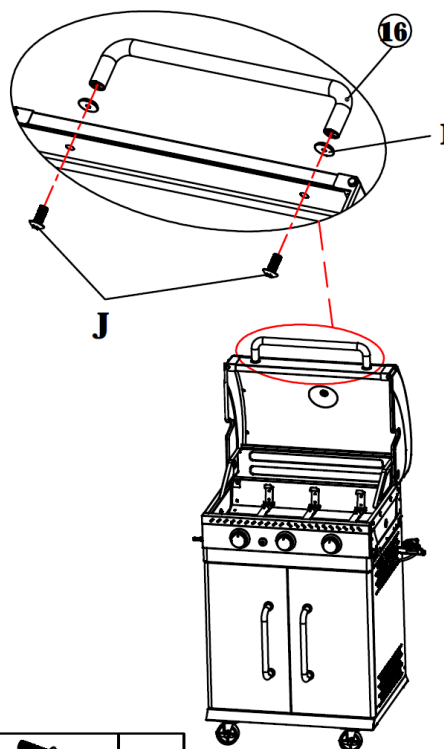
A		4PCS
G		4PCS

15



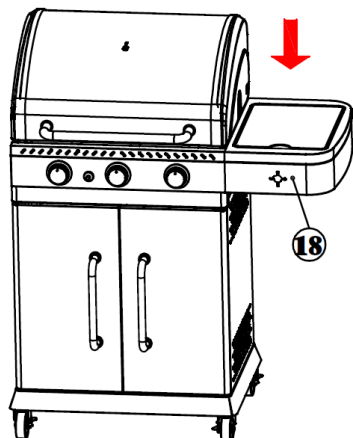
J		2PCS
---	--	------

16

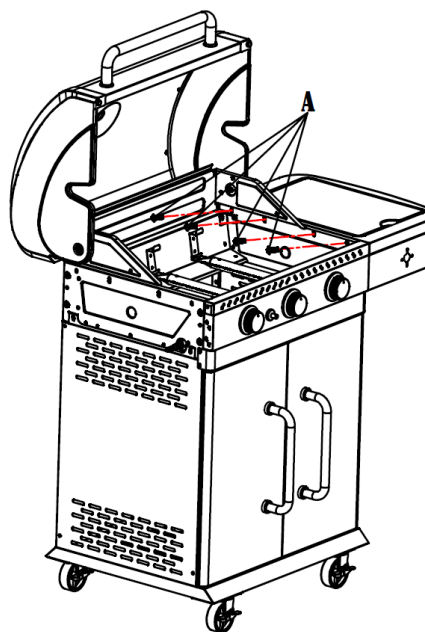


J		2PCS
I		2PCS

17



18

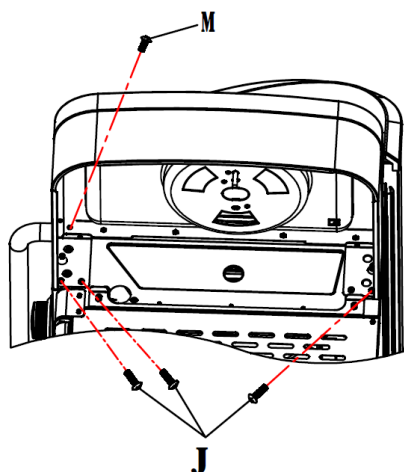


A



4PCS

19



M



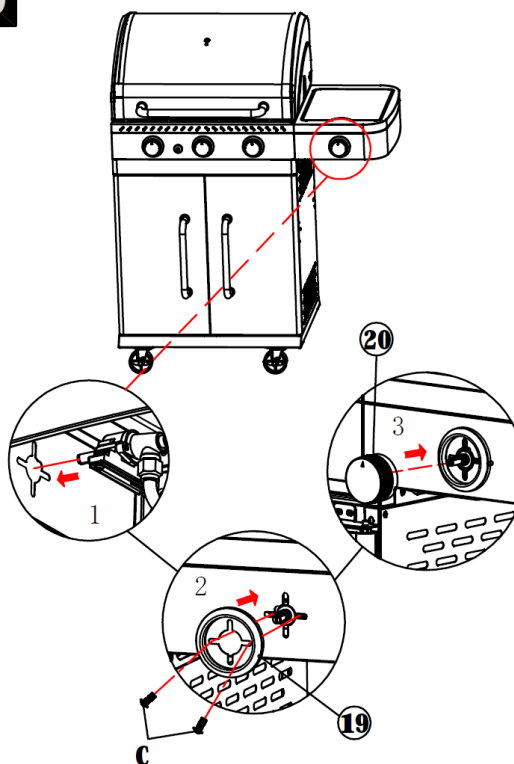
1PC

J



3PCS

20

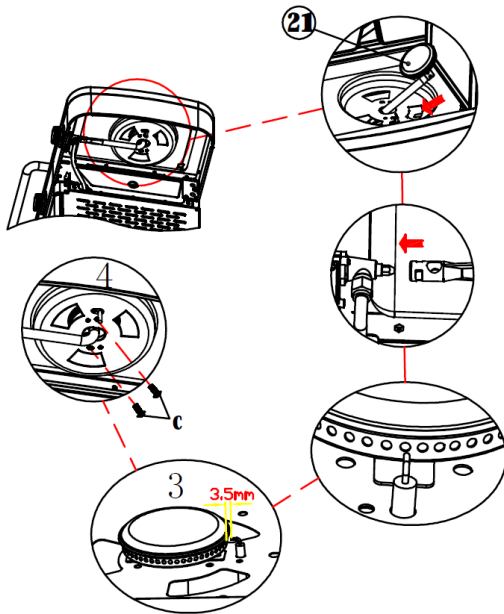


C



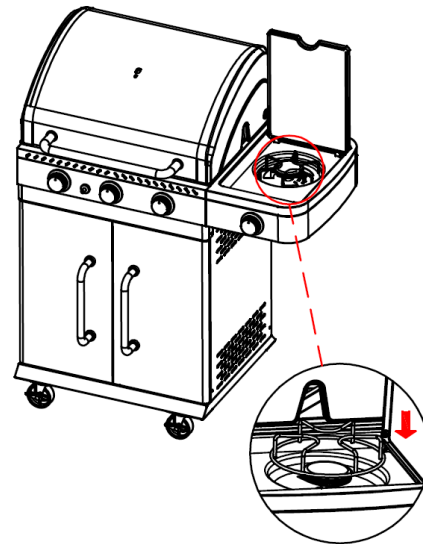
2PCS

21

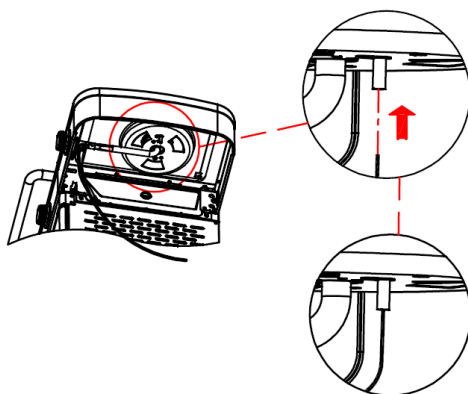


c  2PCS

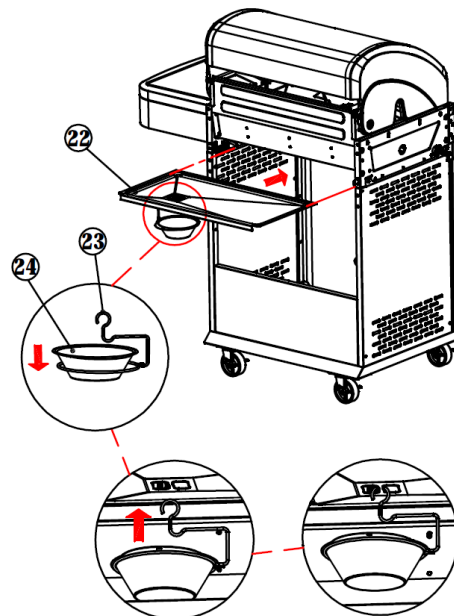
22

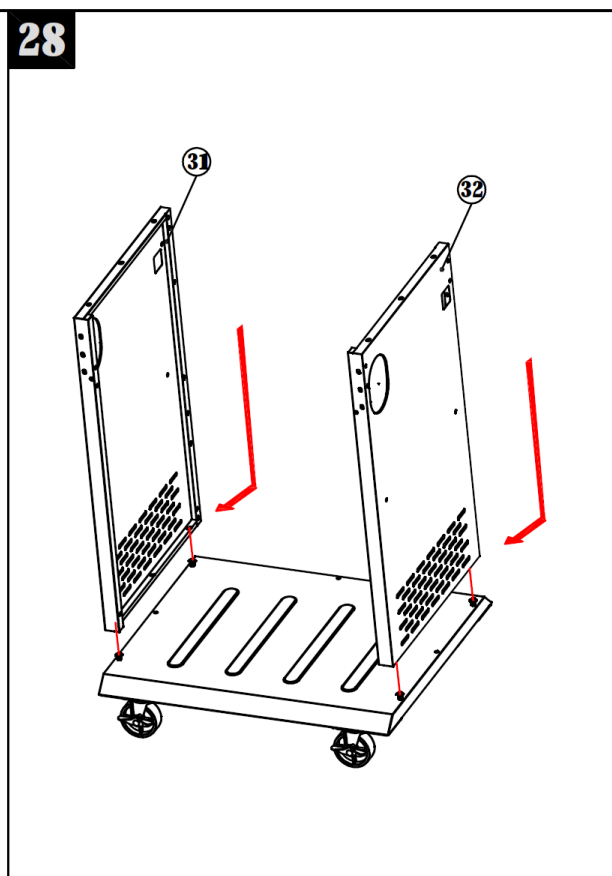
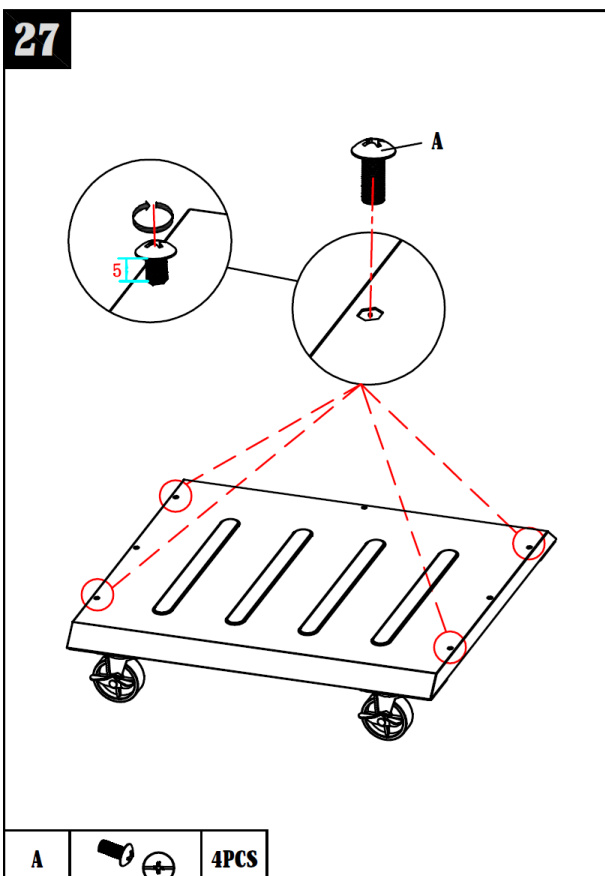
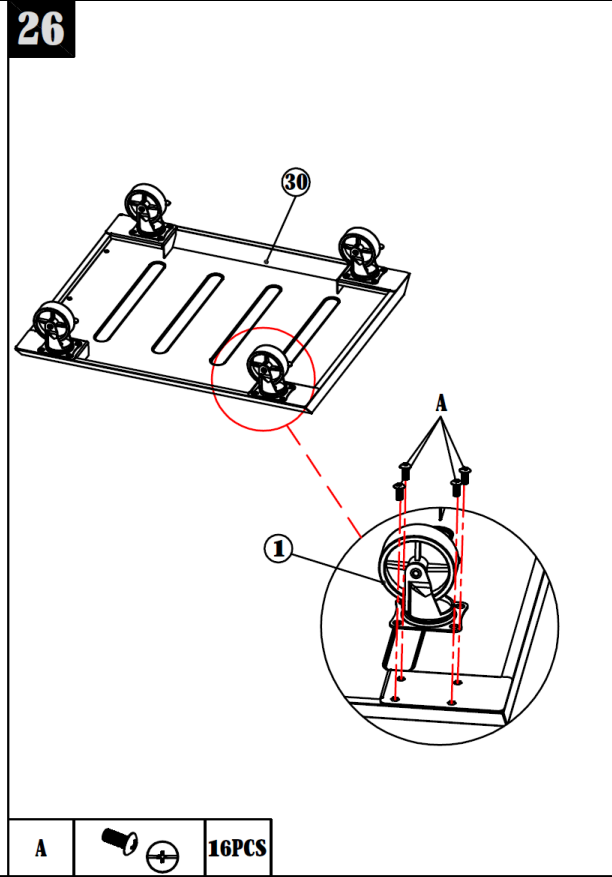
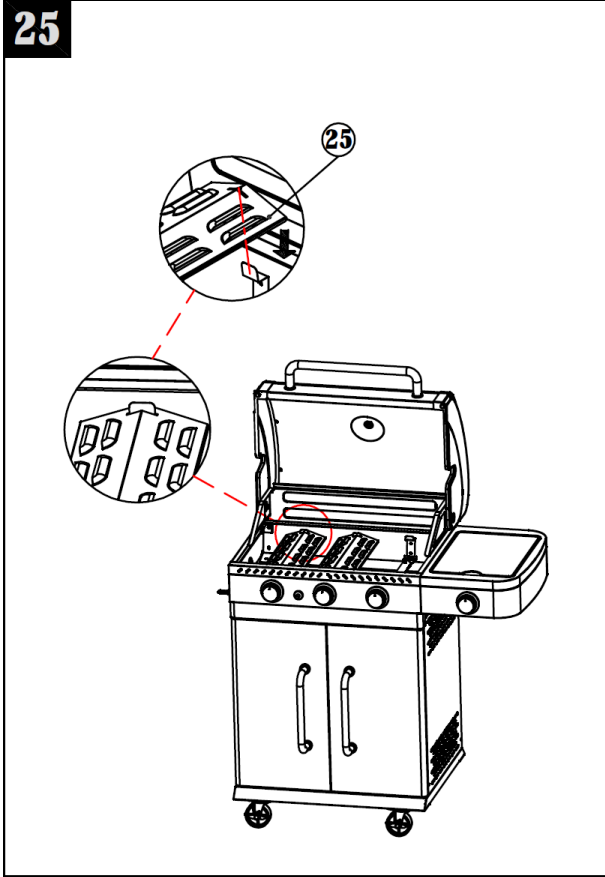


23

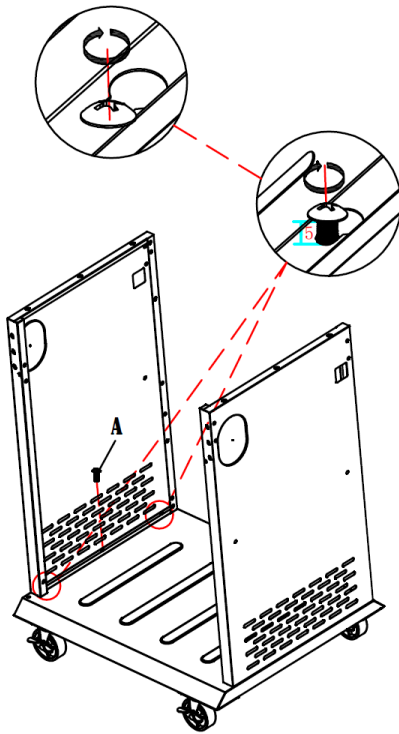


24



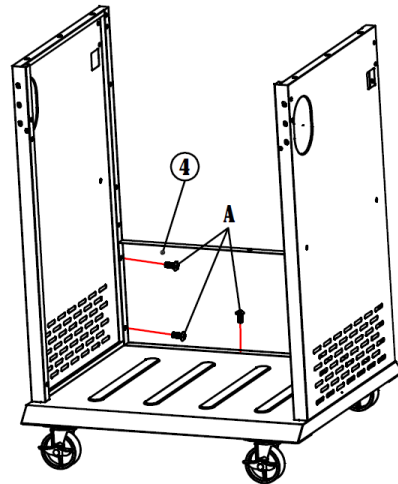


29



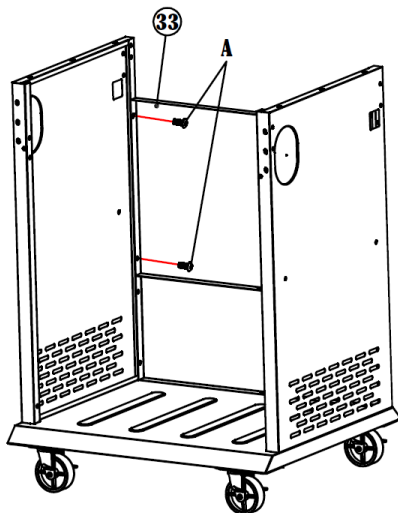
A  2PCS

30



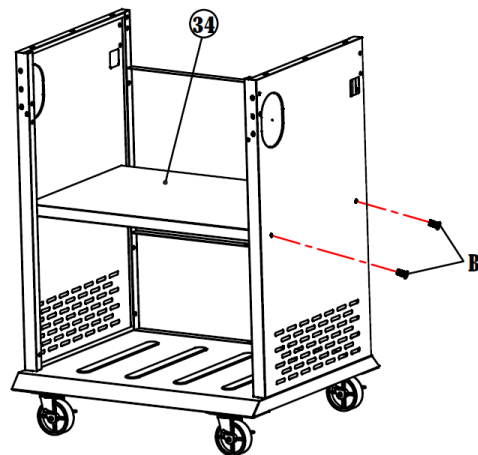
A  5PCS

31



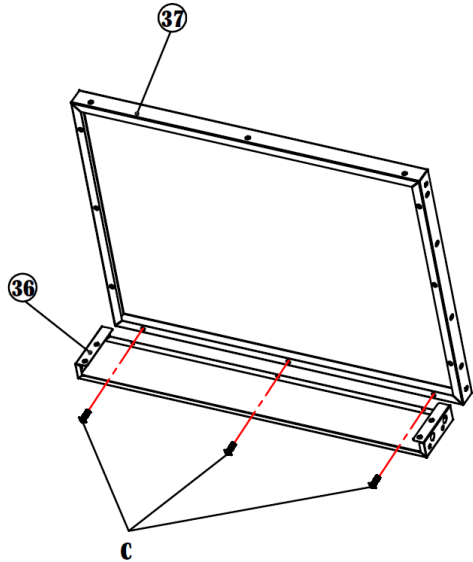
A  4PCS

32



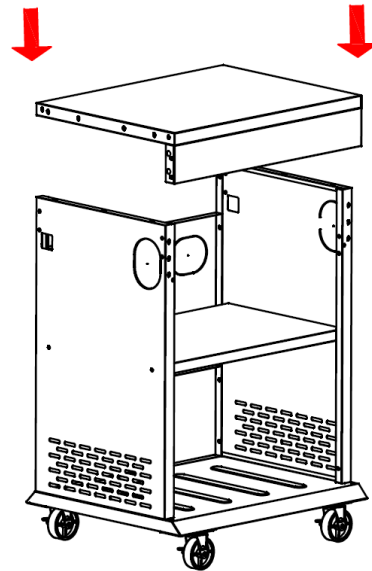
B  4PCS

33

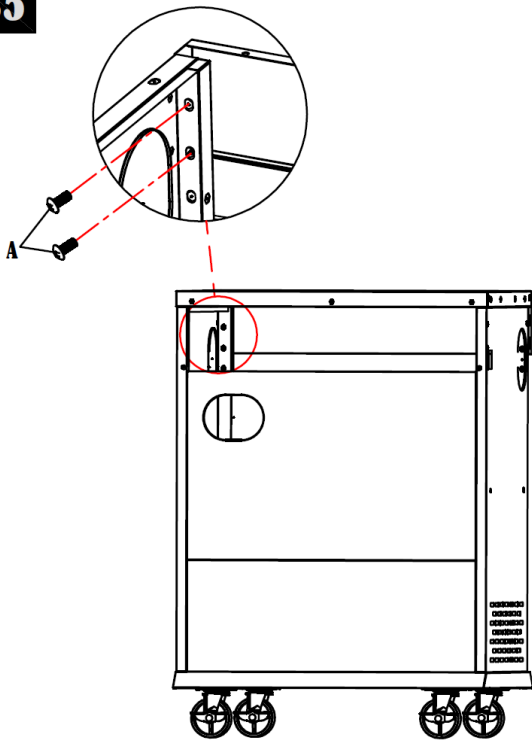



C  3PCS

34

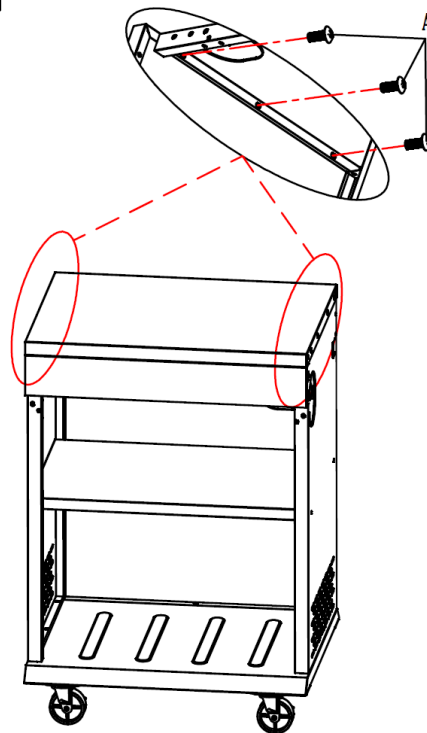



35



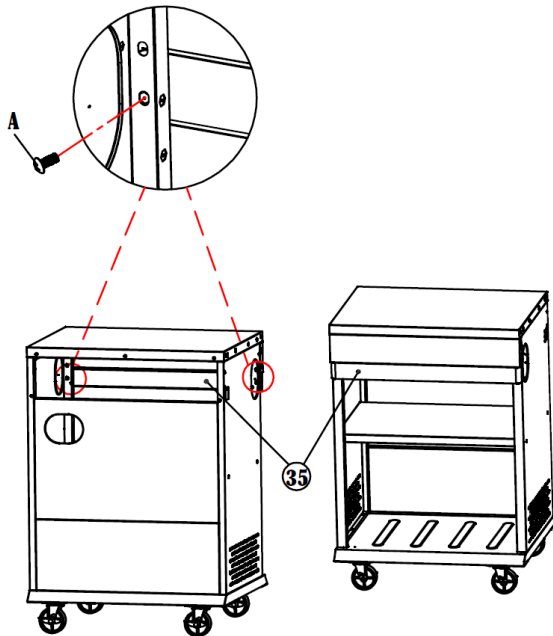
A  4PCS

36



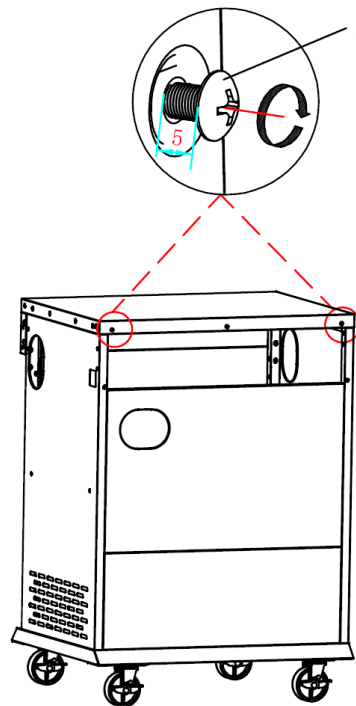
A  6PCS

37



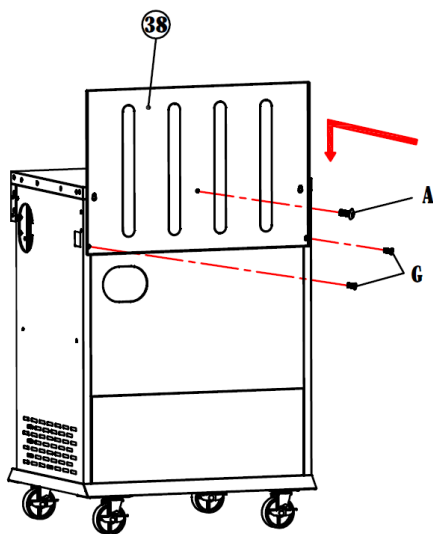
A		2PCS
---	--	------

38



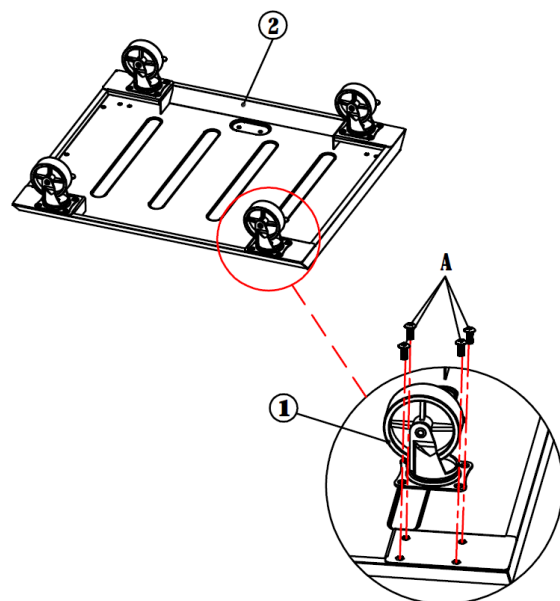
A		2PCS
---	--	------

39

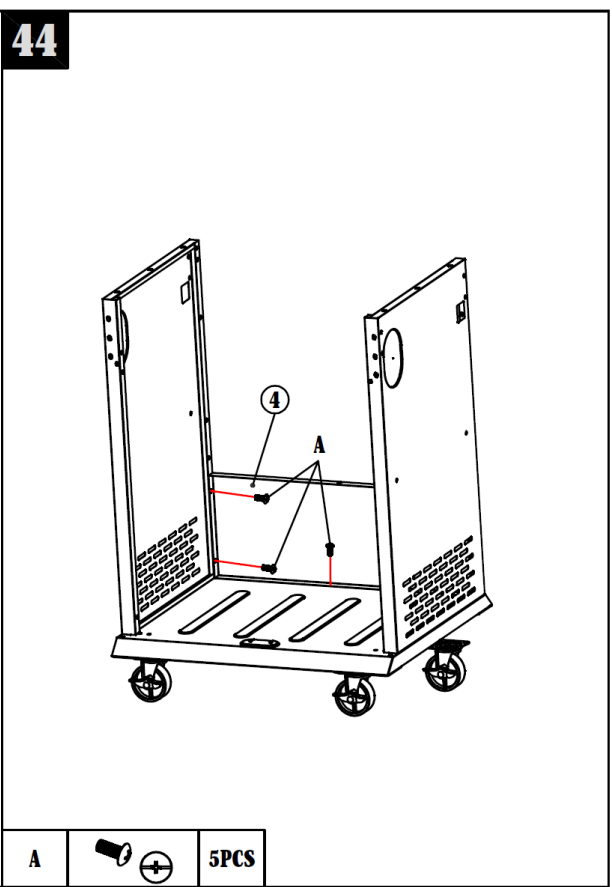
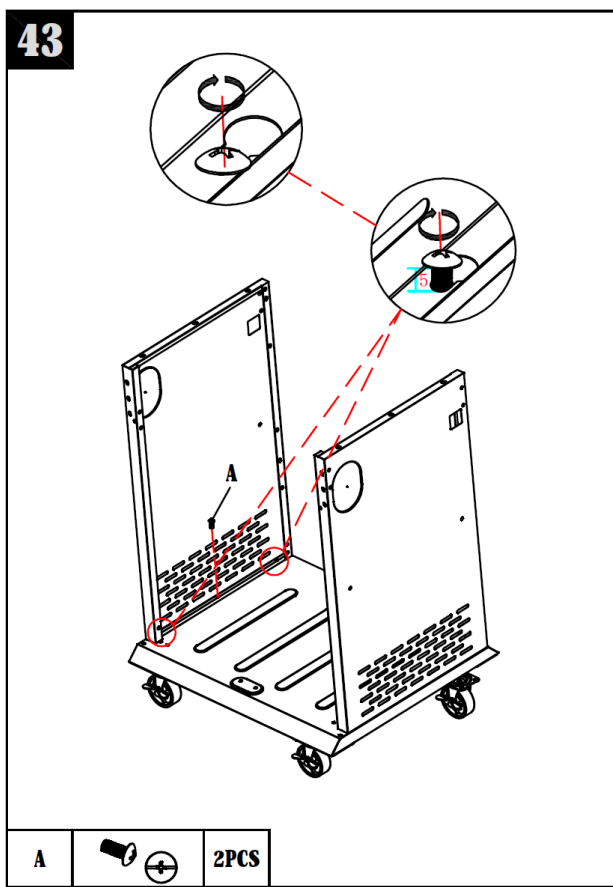
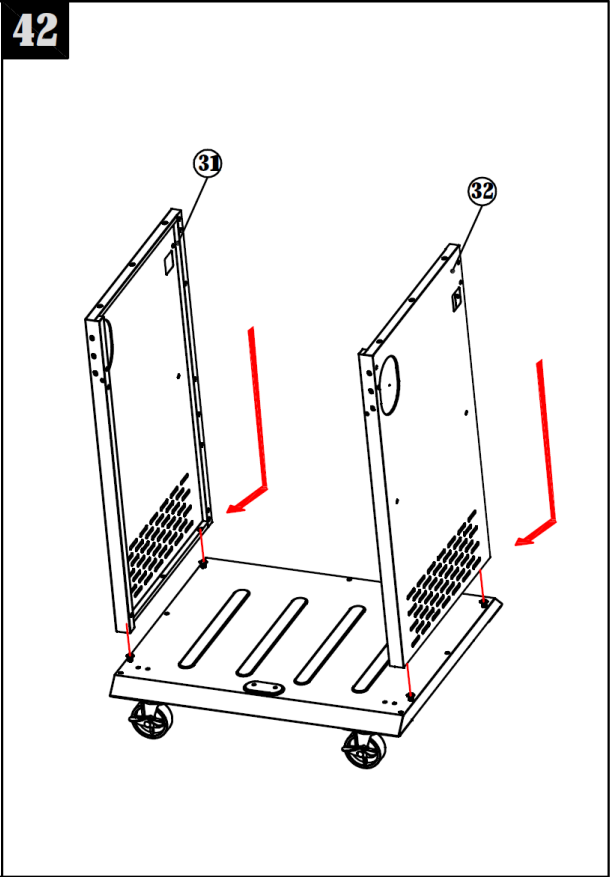
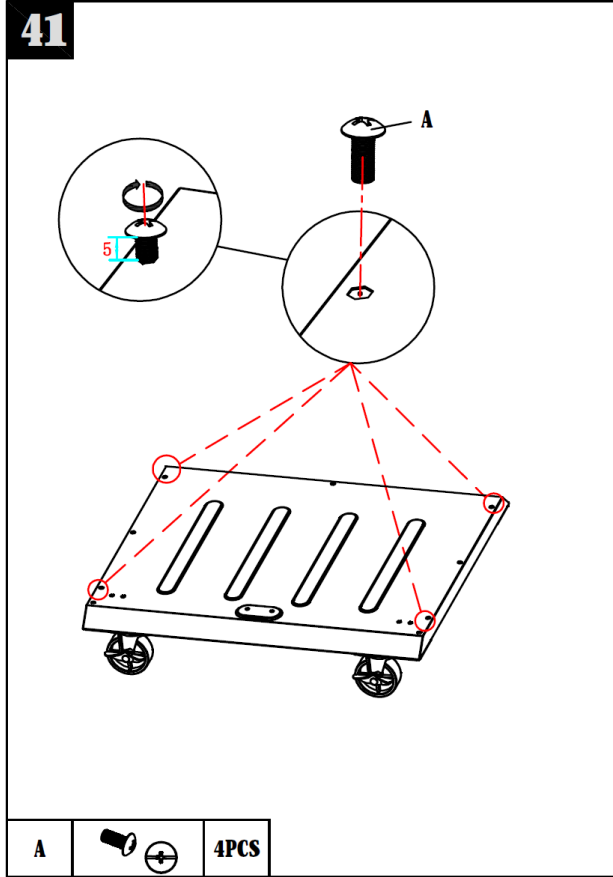


A		1PC
G		2PCS

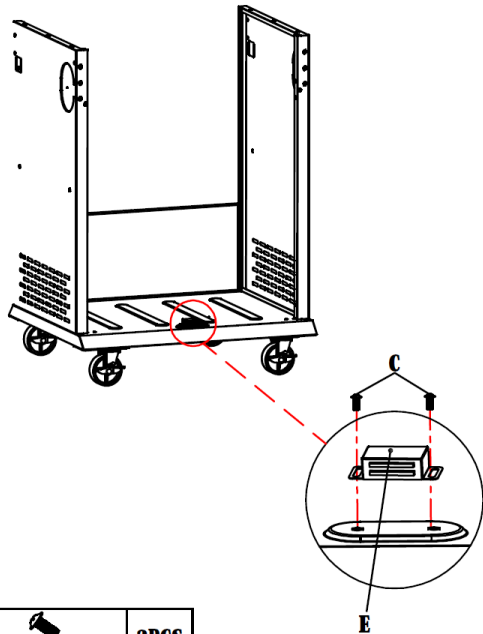
40



A		16PCS
---	--	-------

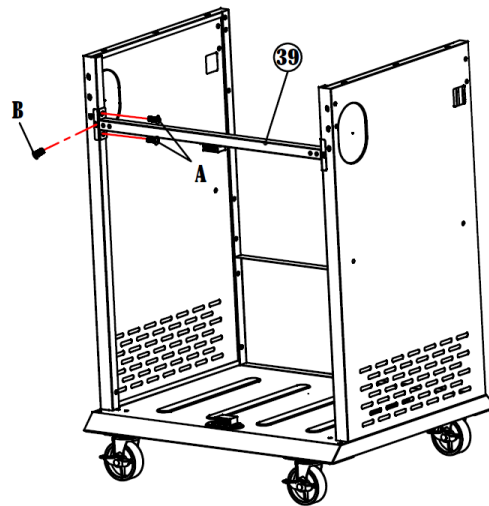


45



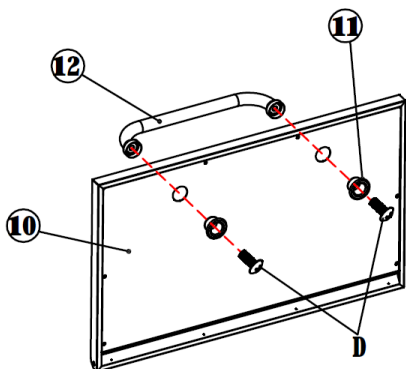
C		2PCS
E		1PC

46



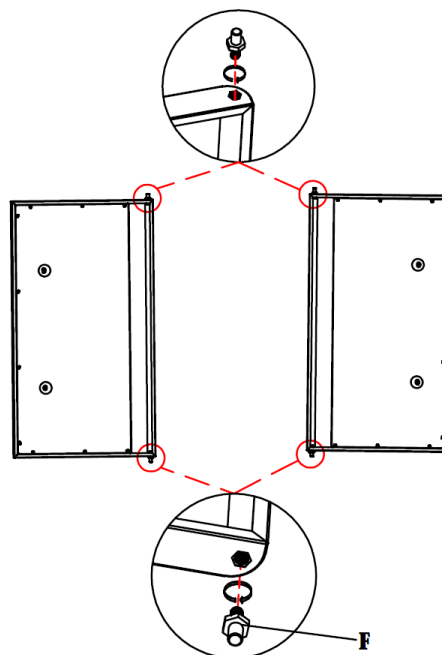
A		4PCS
B		2PCS

47

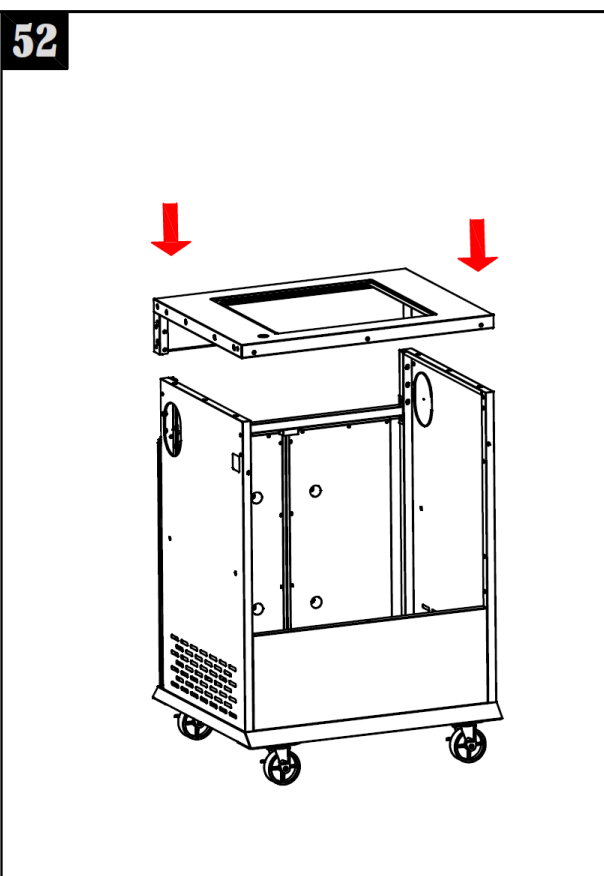
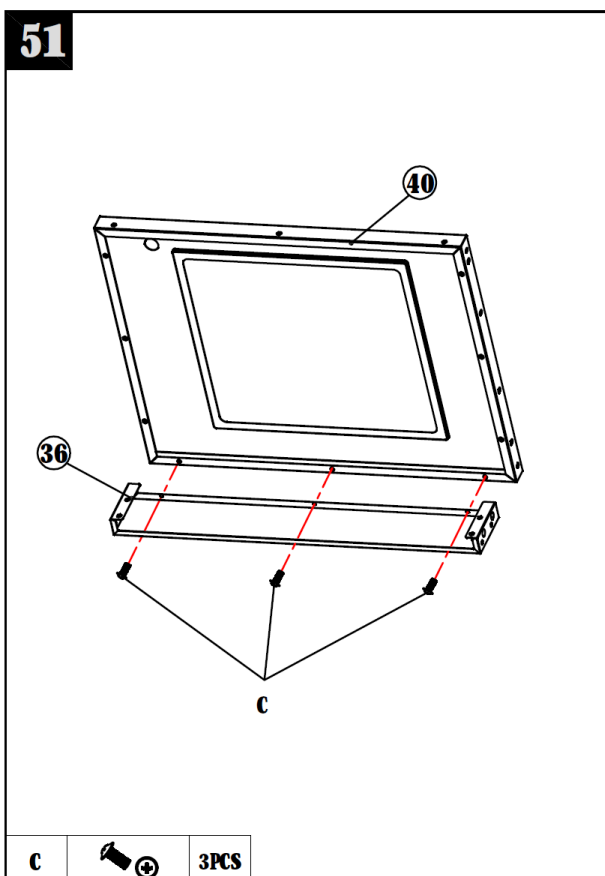
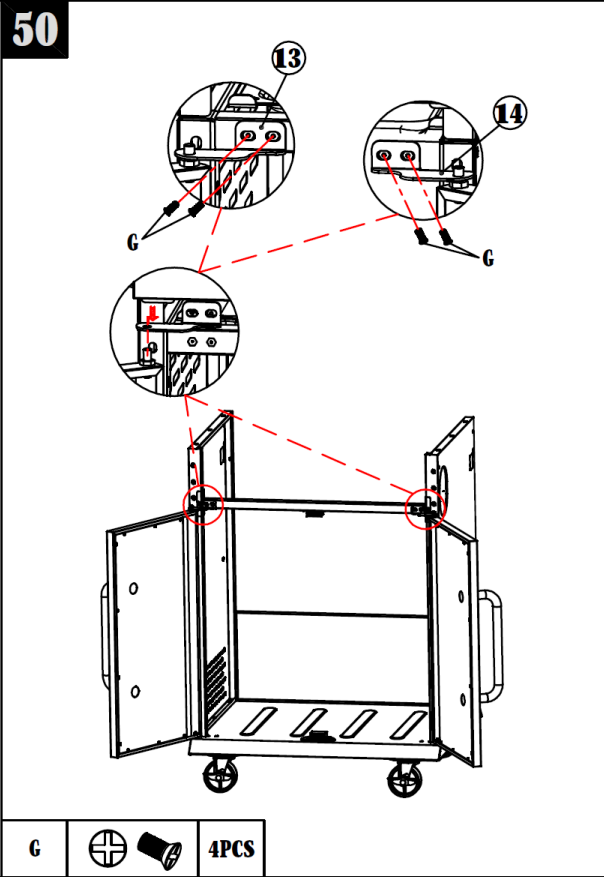
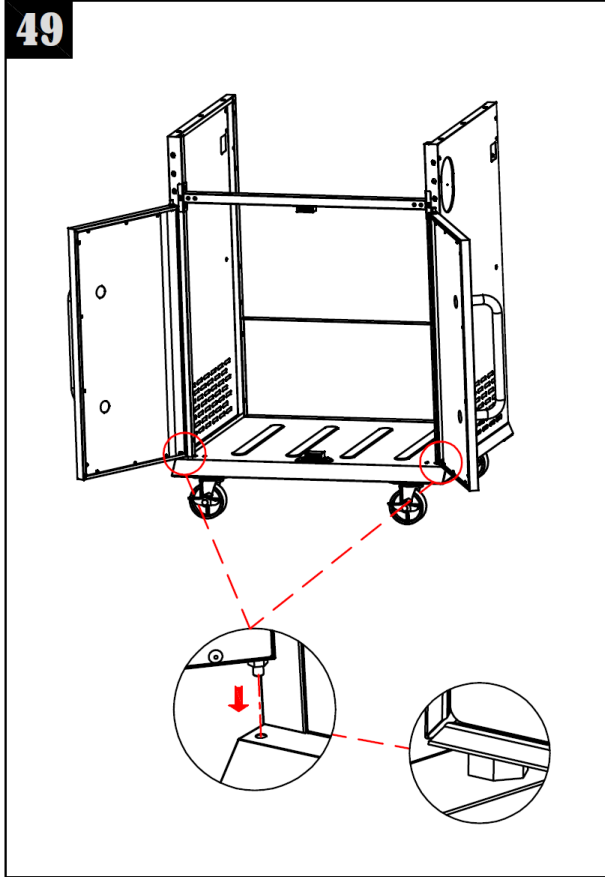


D		4PCS
---	--	------


48




F		4PCS
---	--	------




53

A  4PCS


54

A  6PCS

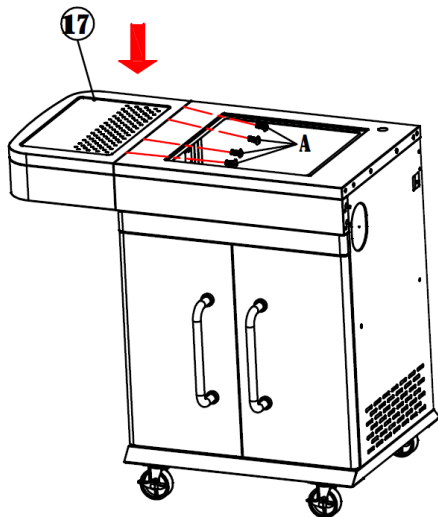
55

A  2PCS

56

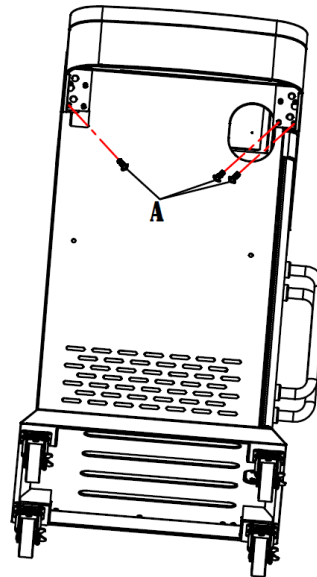
J  2PCS

57



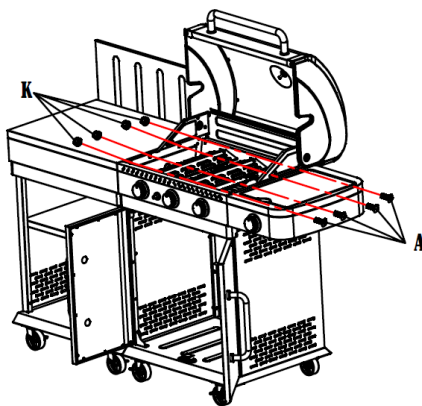
A		4PCS
---	--	------

58



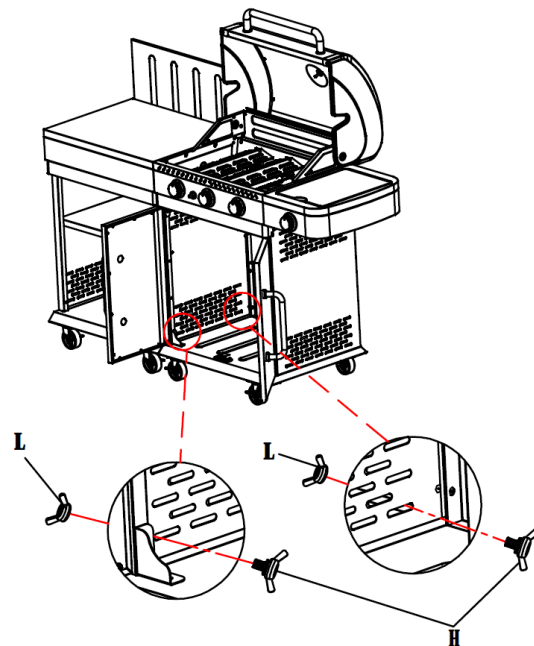
A		3PCS
---	--	------

59



A		4PCS
K		4PCS

60



L		2PCS
H		2PCS

61

A		3PCS
---	--	------

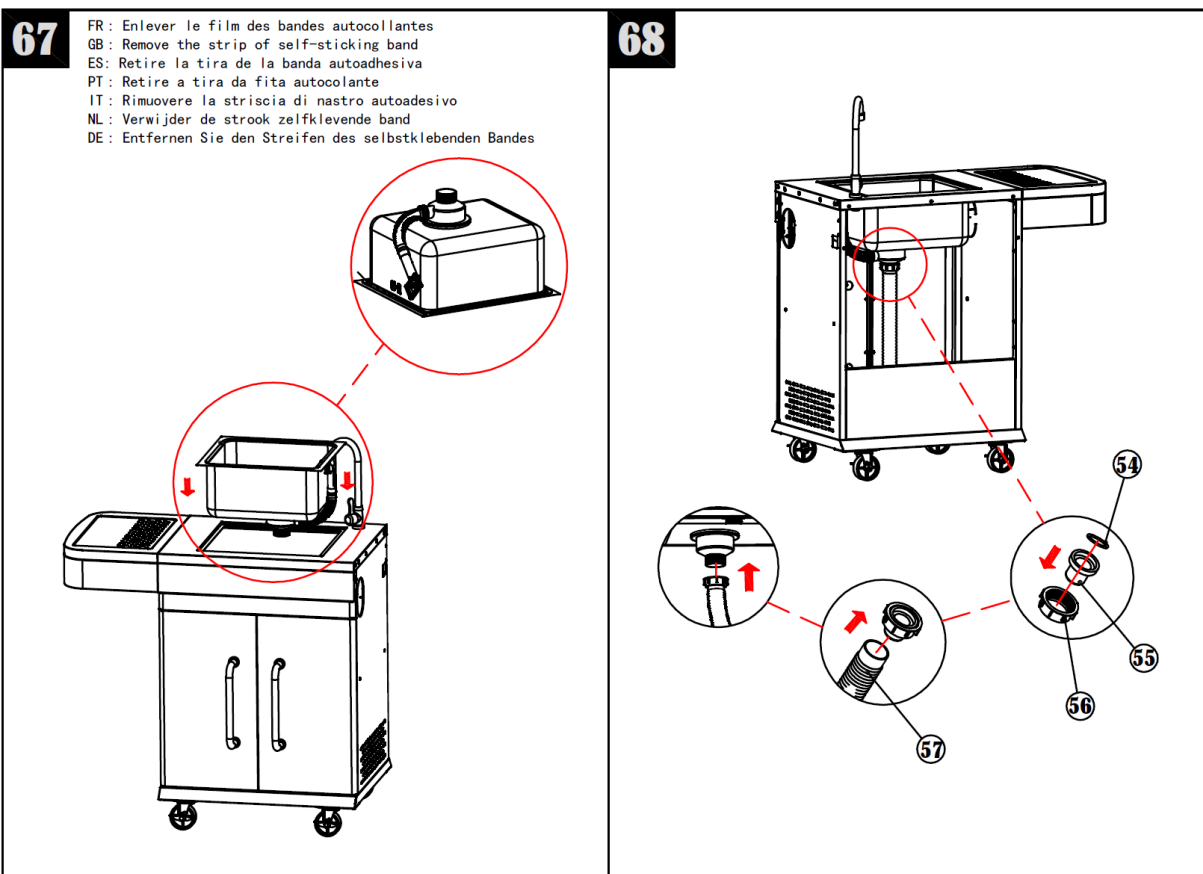
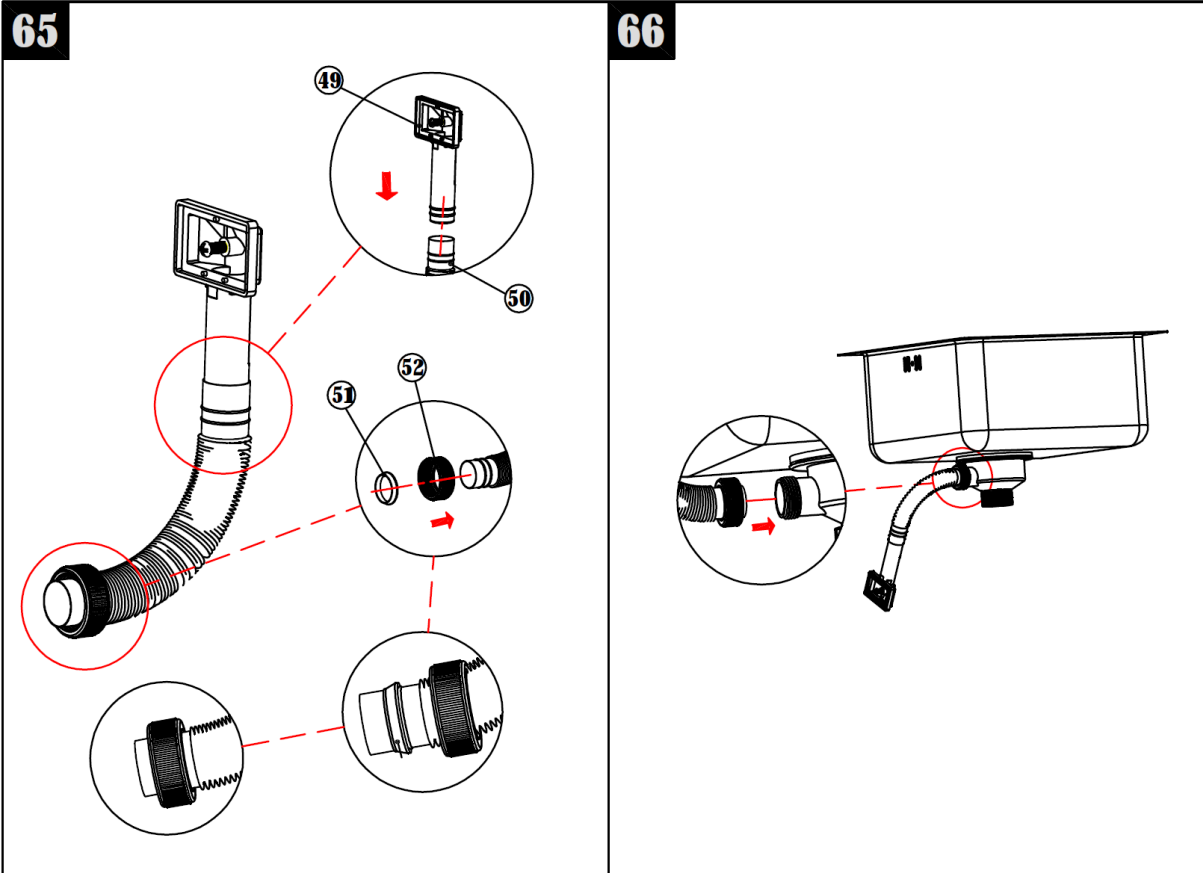
62

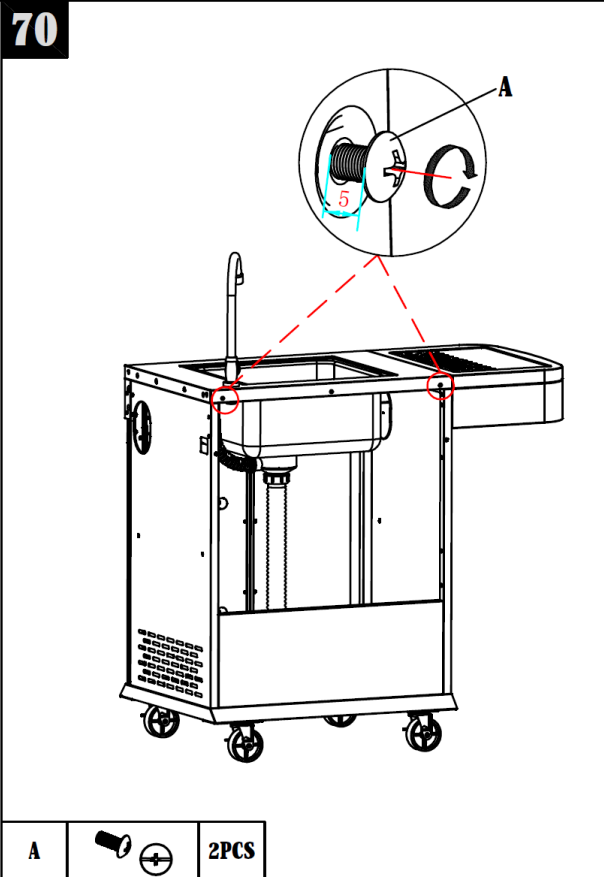
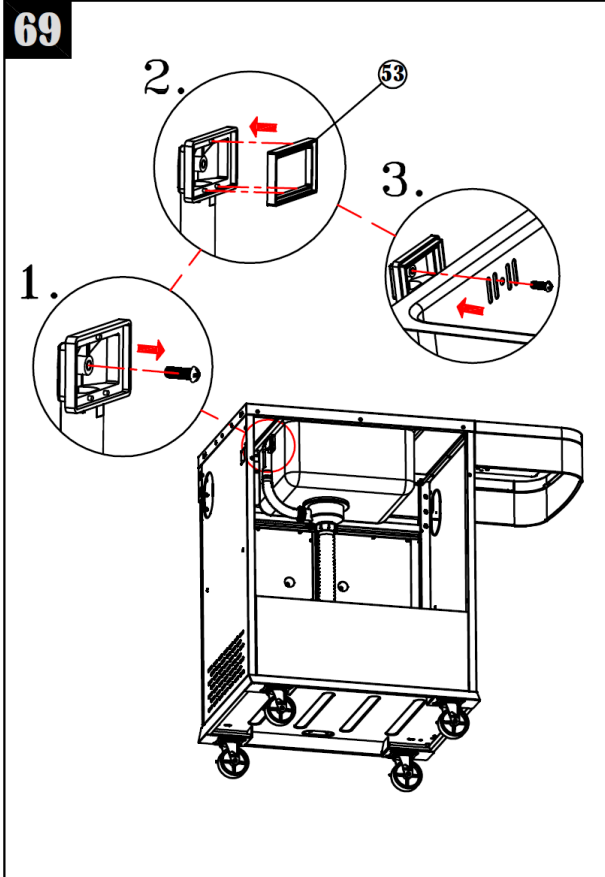
L		2PCS
H		2PCS

63

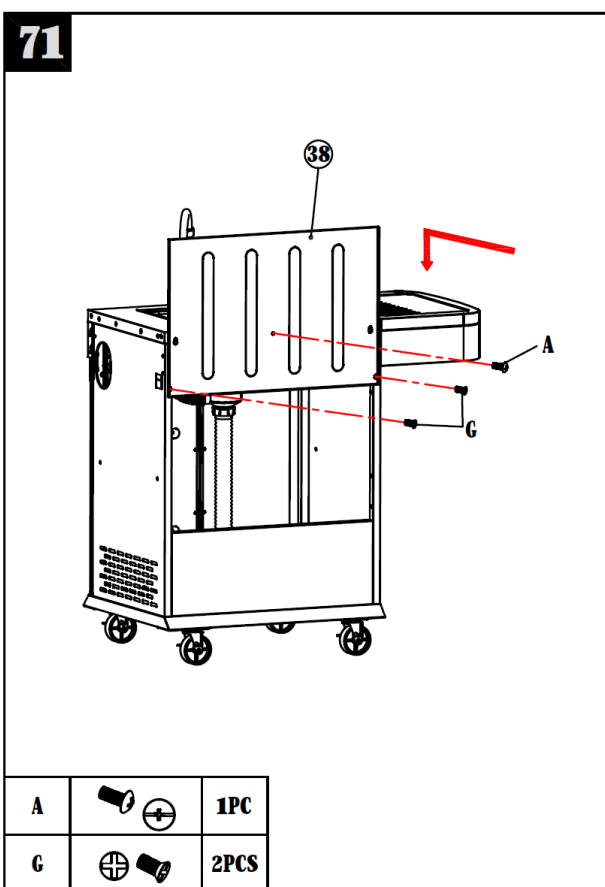
FR : Dévissez l'écrou et les joints avant de l'installer
 GB : Unscrew the lock nut and washer before installation
 ES : Desenrosque la tuerca de seguridad y la arandela antes de la instalación
 PT : Desaparafuse a contraporca e a arruela antes da instalação
 IT : Svitare il controdado e la rondella prima dell'installazione
 NL : Schroef de borgmoer en sluitring los voor installatie
 DE : Lösen Sie die Kontermutter und die Unterlegscheibe vor dem Einbau

64

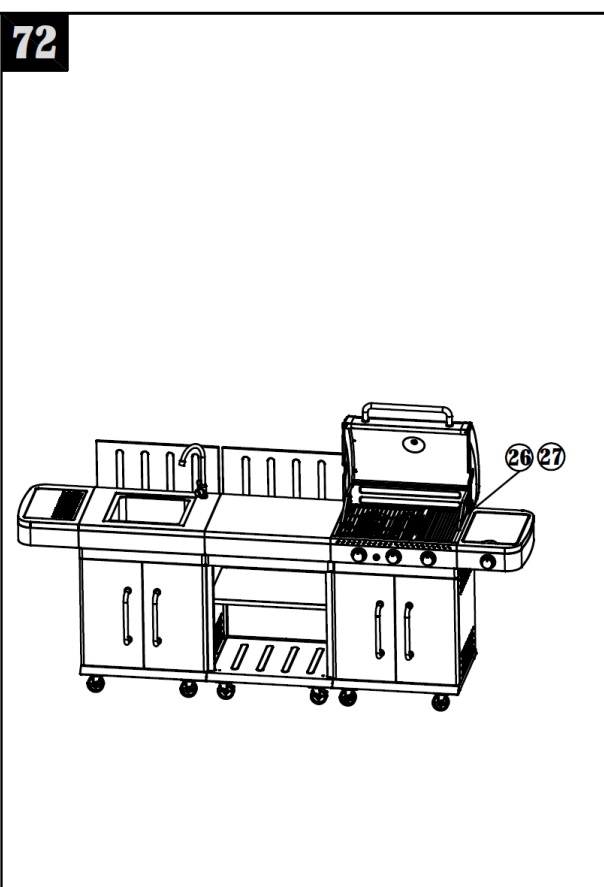




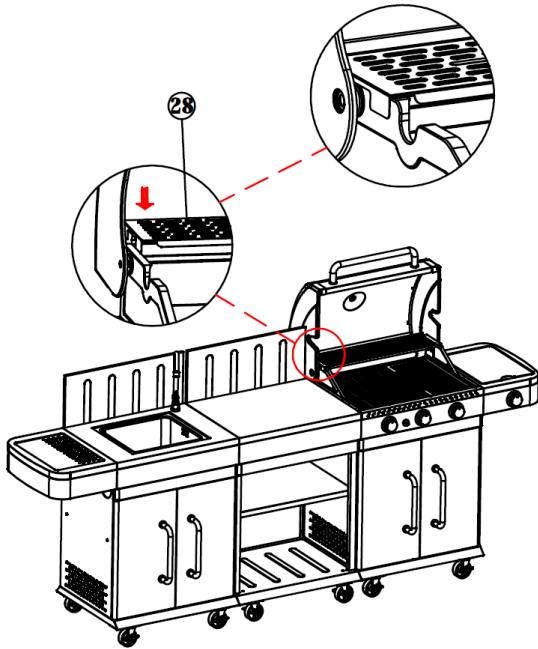
A		2PCS
---	--	------



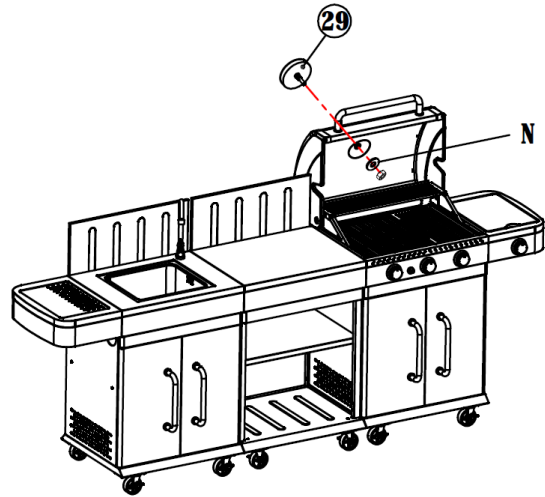
A		1PC
G		2PCS



73



74



N  1PC

75

