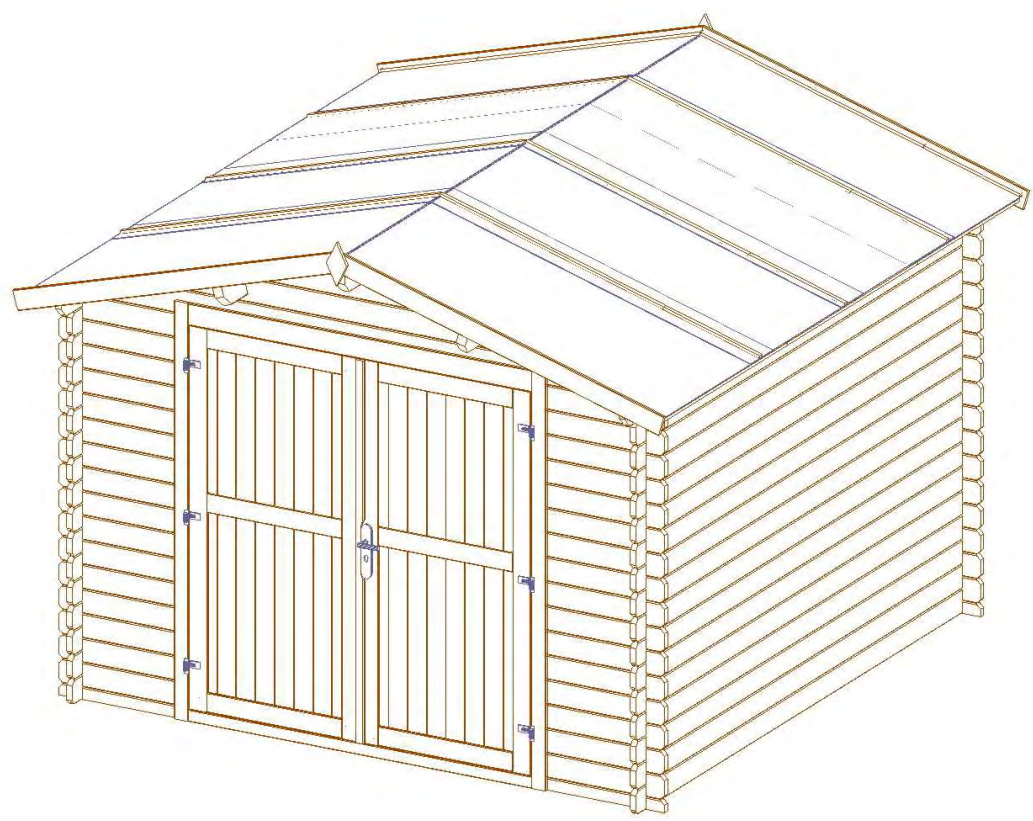
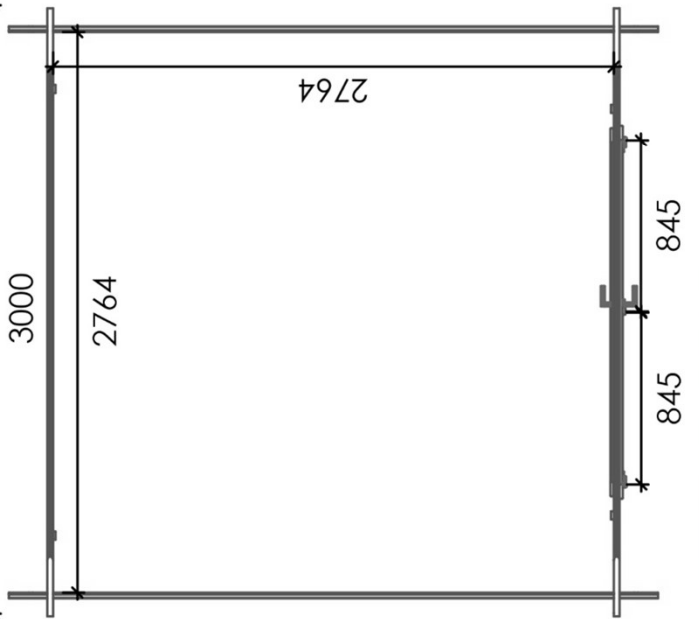
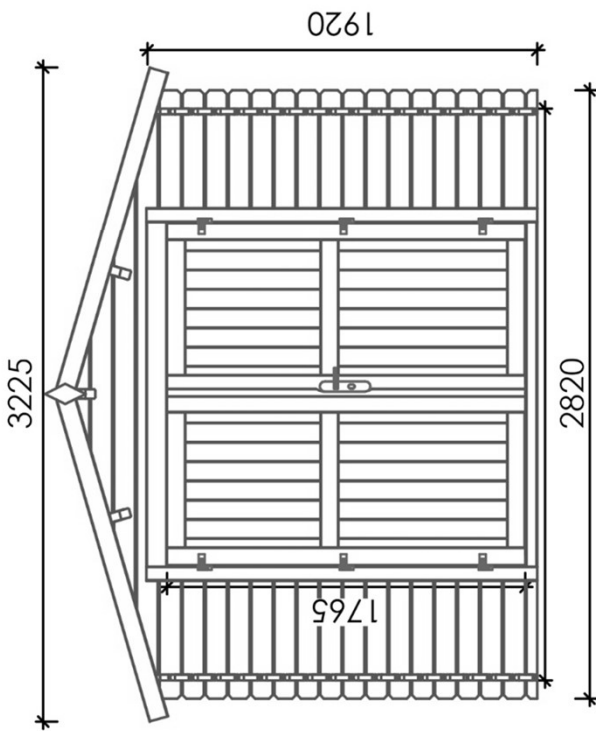
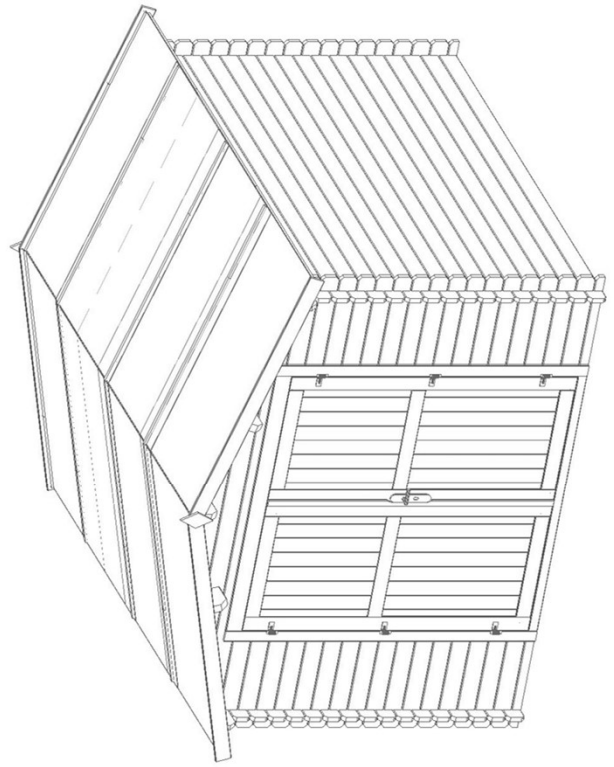
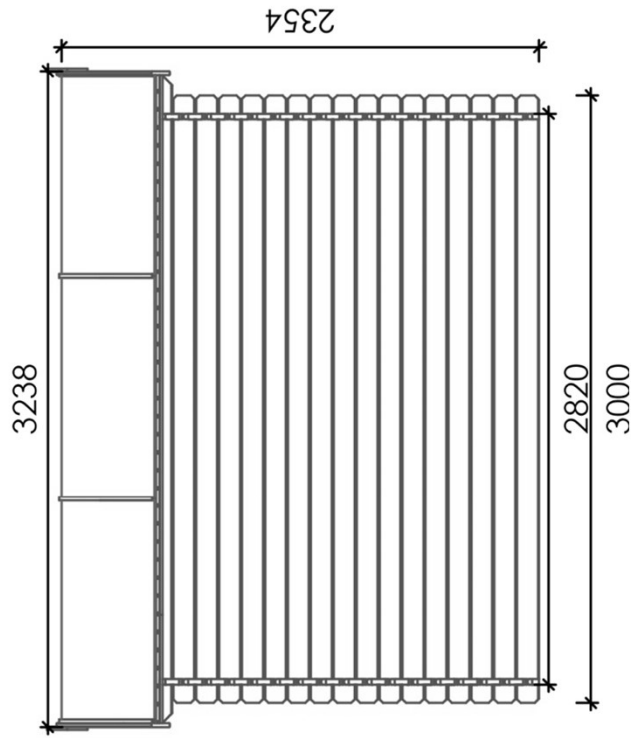









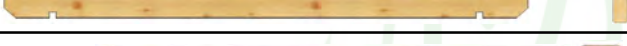










DOM118-7 300x300 28mm


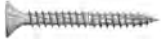










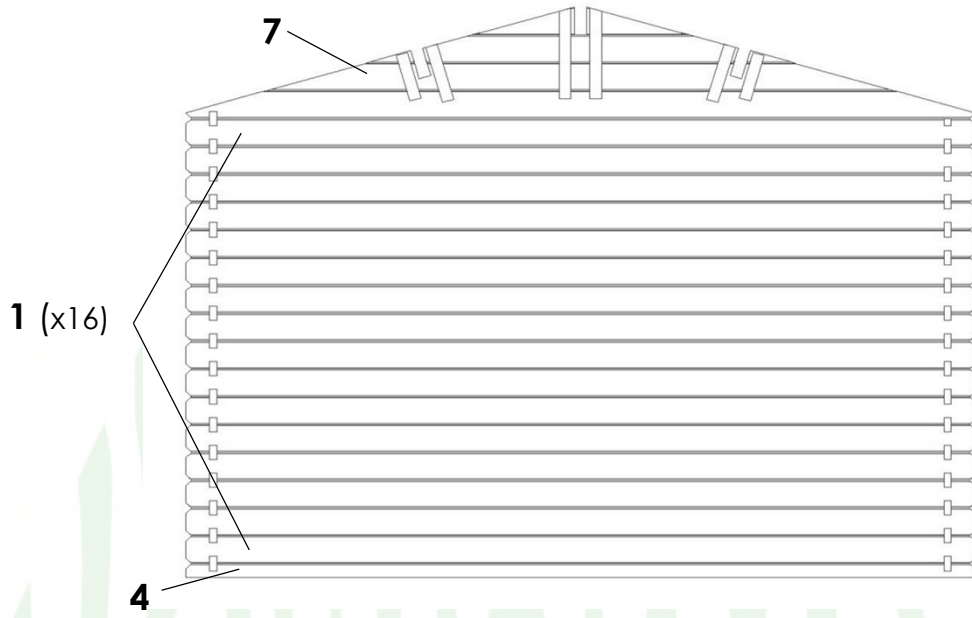
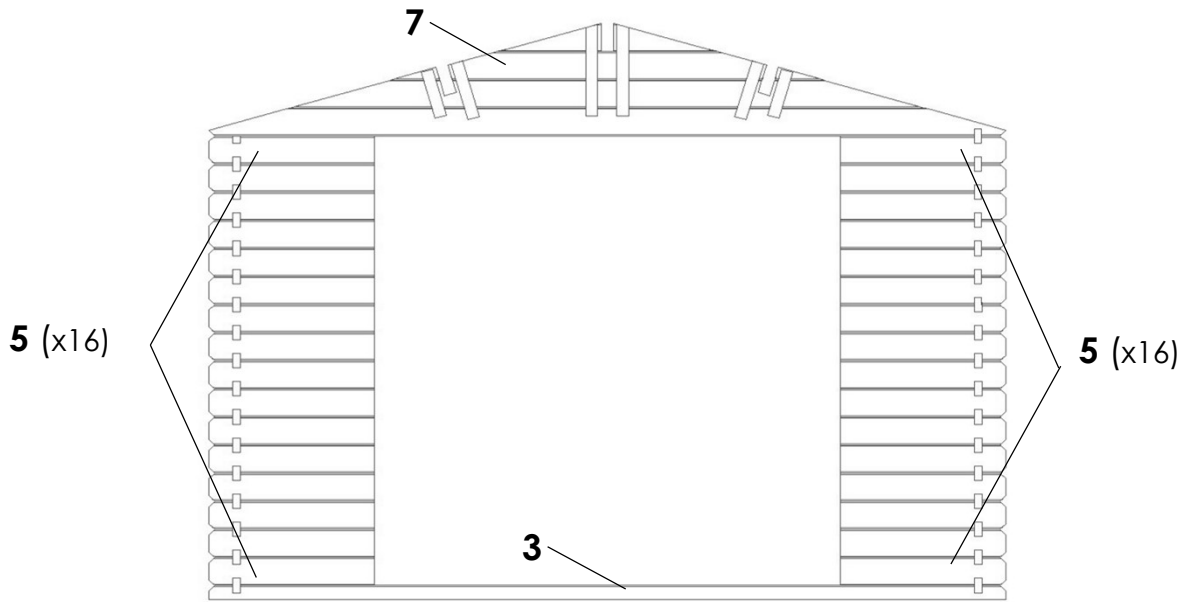
DOM118-7 300x300 28mm

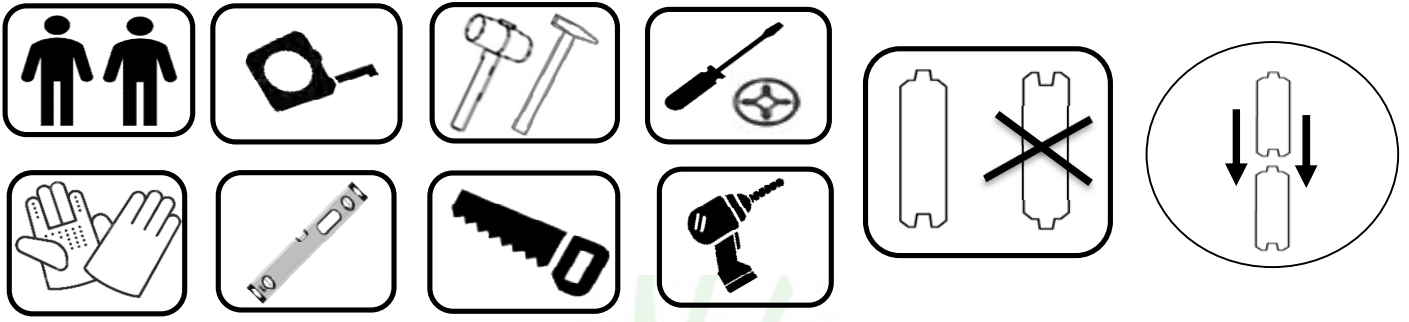


DOM118-7 300x300 28mm

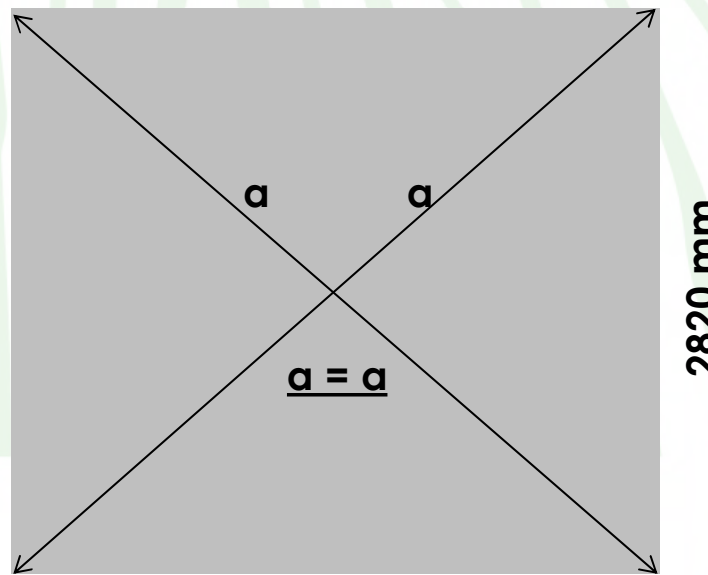
nr	Element	Size (mm)			pcs	miss	dama- ged
		d	h	L			
1		28	121	3000	48		
2		28	113	3200	2		
3		28	65	3000	1		
4		28	65	3000	1		
5		28	121	622	32		
6		13	45	2000	4		
7	SZC21-1 	28	453	3000	2		
8		45	145	3200	3		
9	OSCP01 	61	82	1926	1		
10	OSCL01 	61	82	1926	1		
11	NAD01 	61	112	1746	1		
12	PRO01 	16	55	1700	1		
13	DRZ13-0 	38	845	1765	1		
14		16	99	1640	72		
15		13	22	1150	22		
16		16	95	1680	4		
17		19	110	165	2		
18		3	1000	3500	4		

nr	Element	Size	pcs	miss	dam.
A		3,5x25	9		
B		3,5x30	92		
C		3,5x35	54		
D		3,5x40	24		
E		2,0x40	432		
F		6,0x60	4		
G			6		
H			2		
I			1		
J			1		



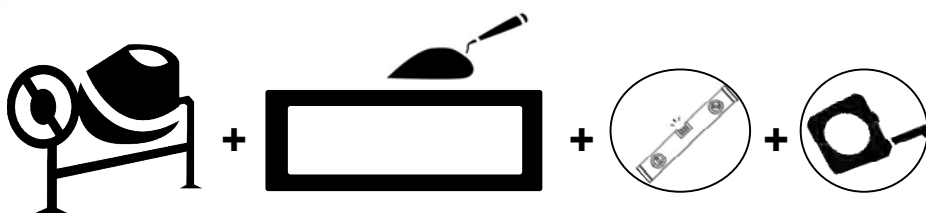


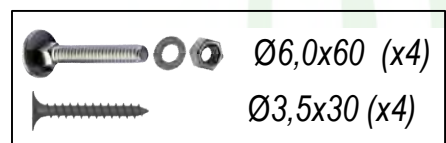
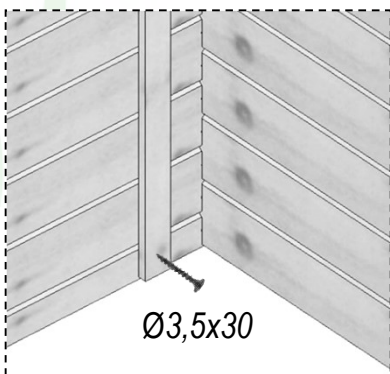
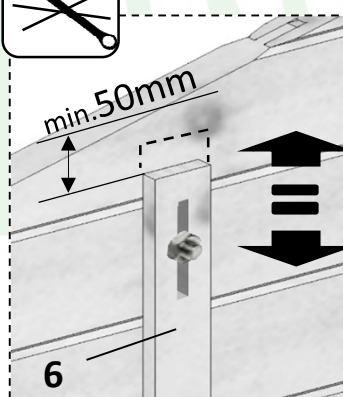
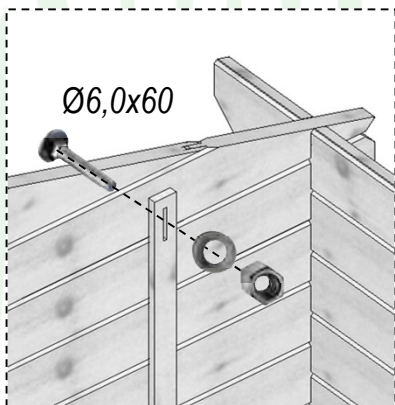
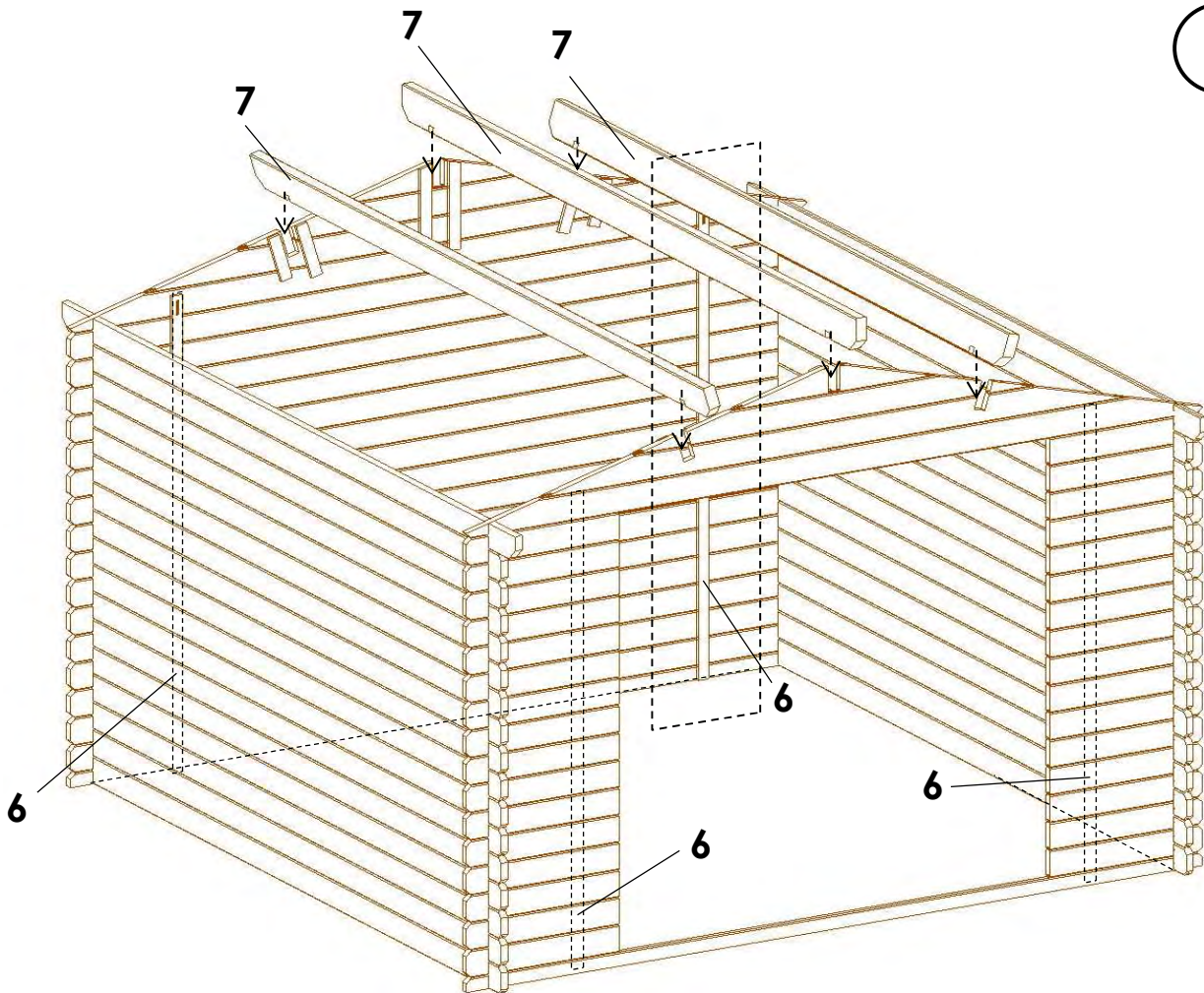
min. 100mm



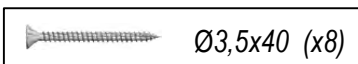
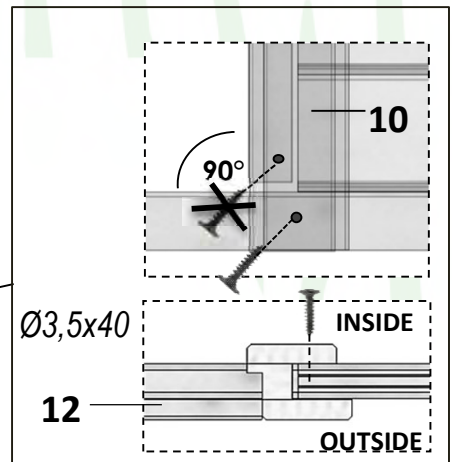
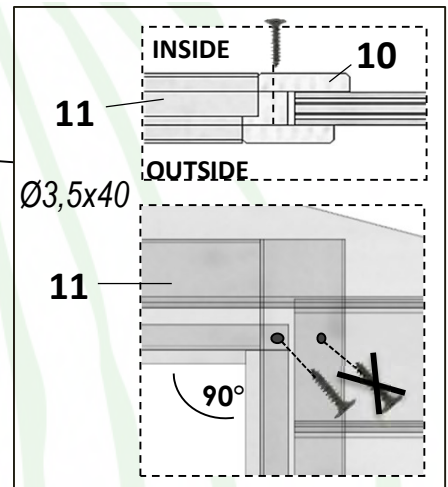
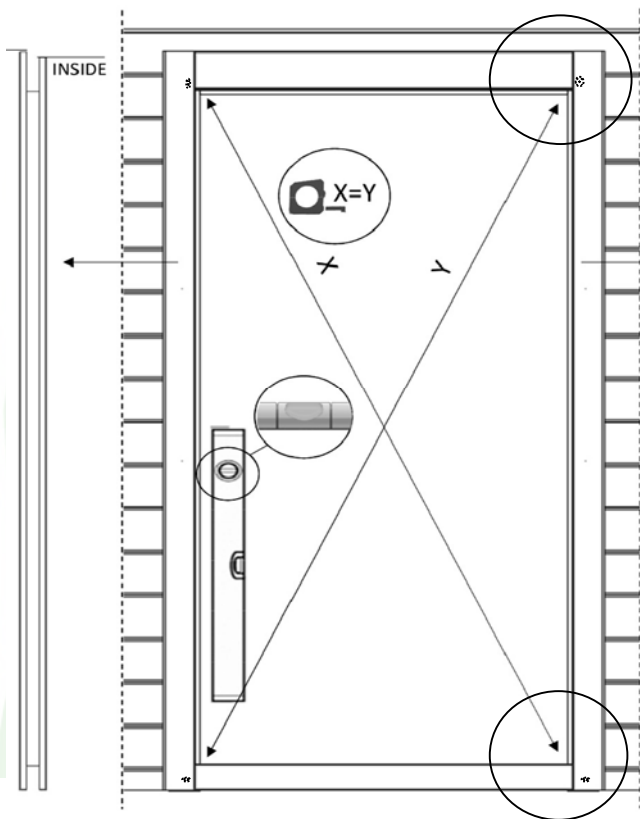
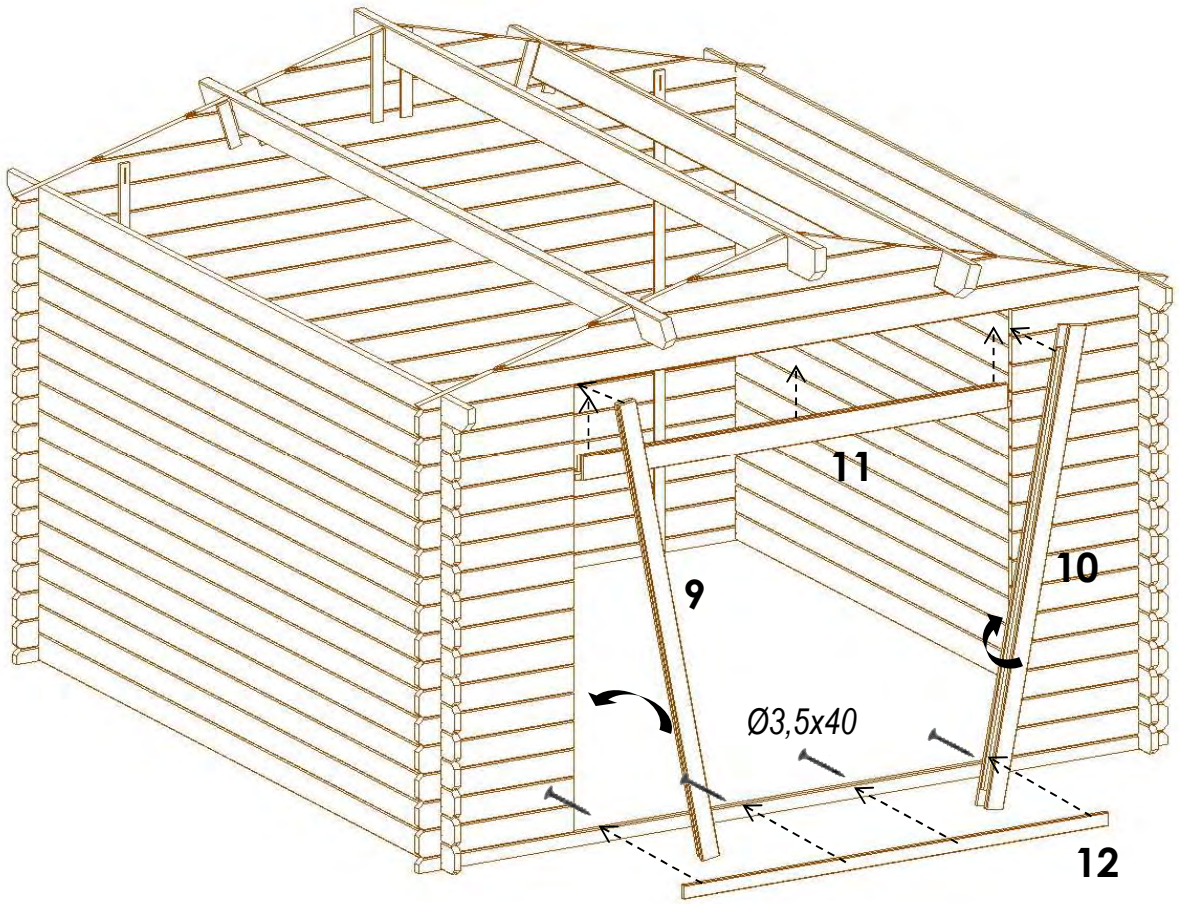
2820 mm

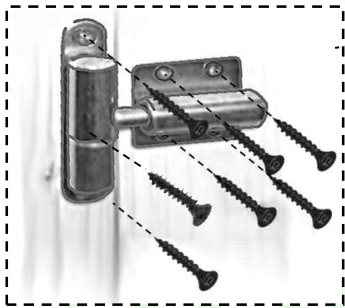
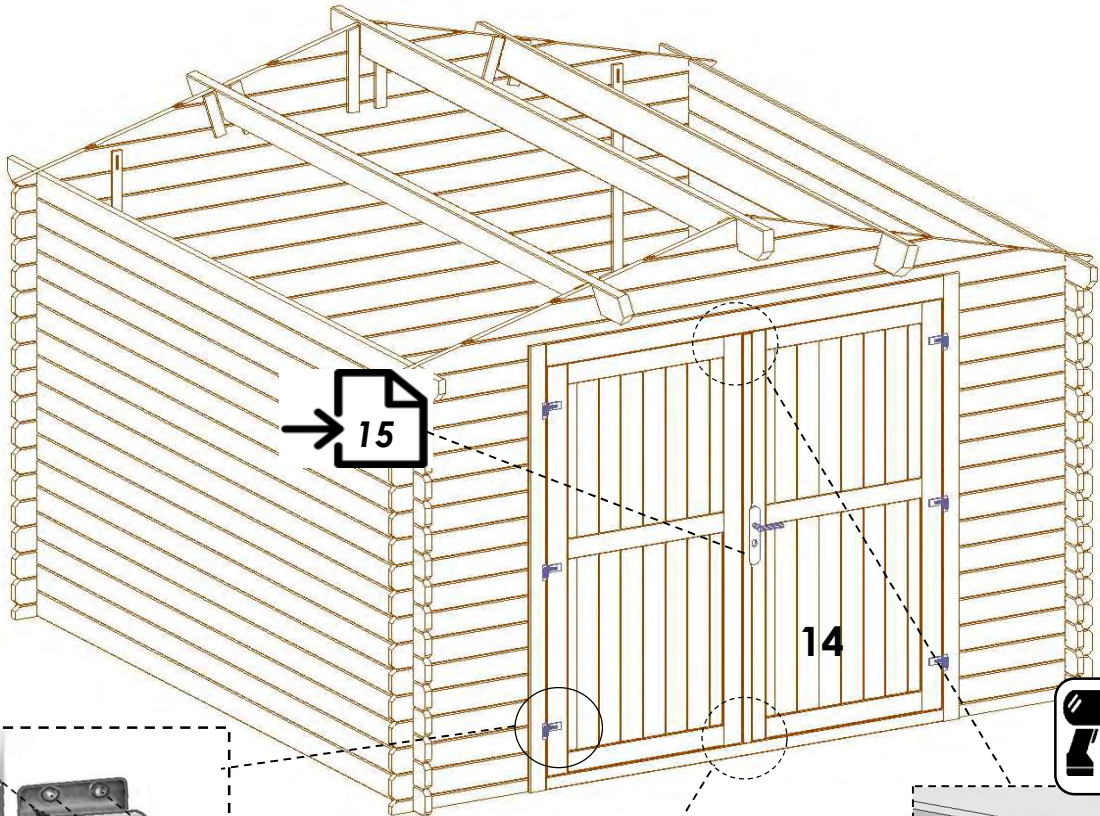
2820 mm



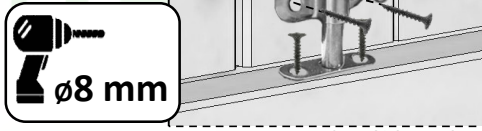


3



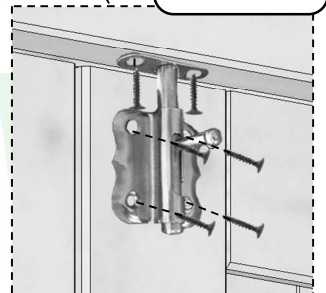


OUTSIDE $\text{Ø}3,5 \times 35$ (x7)

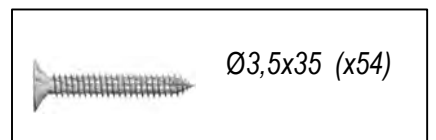


 $\text{ø}8$ mm

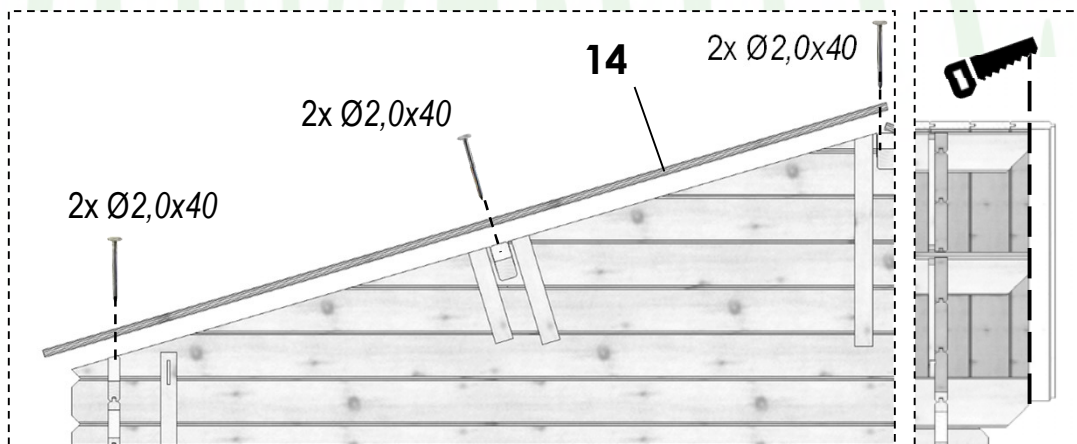
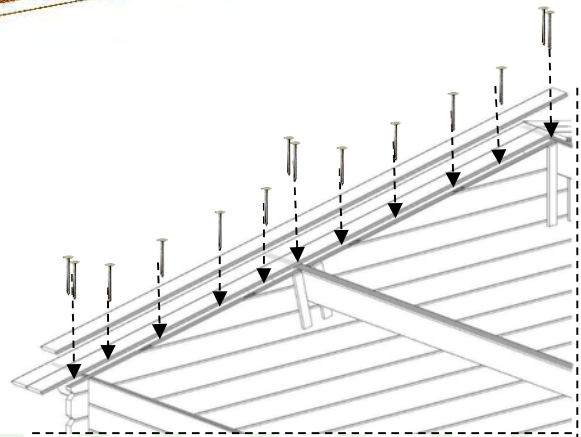
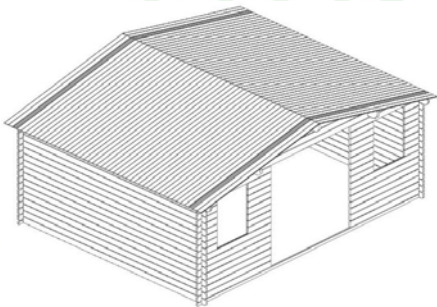
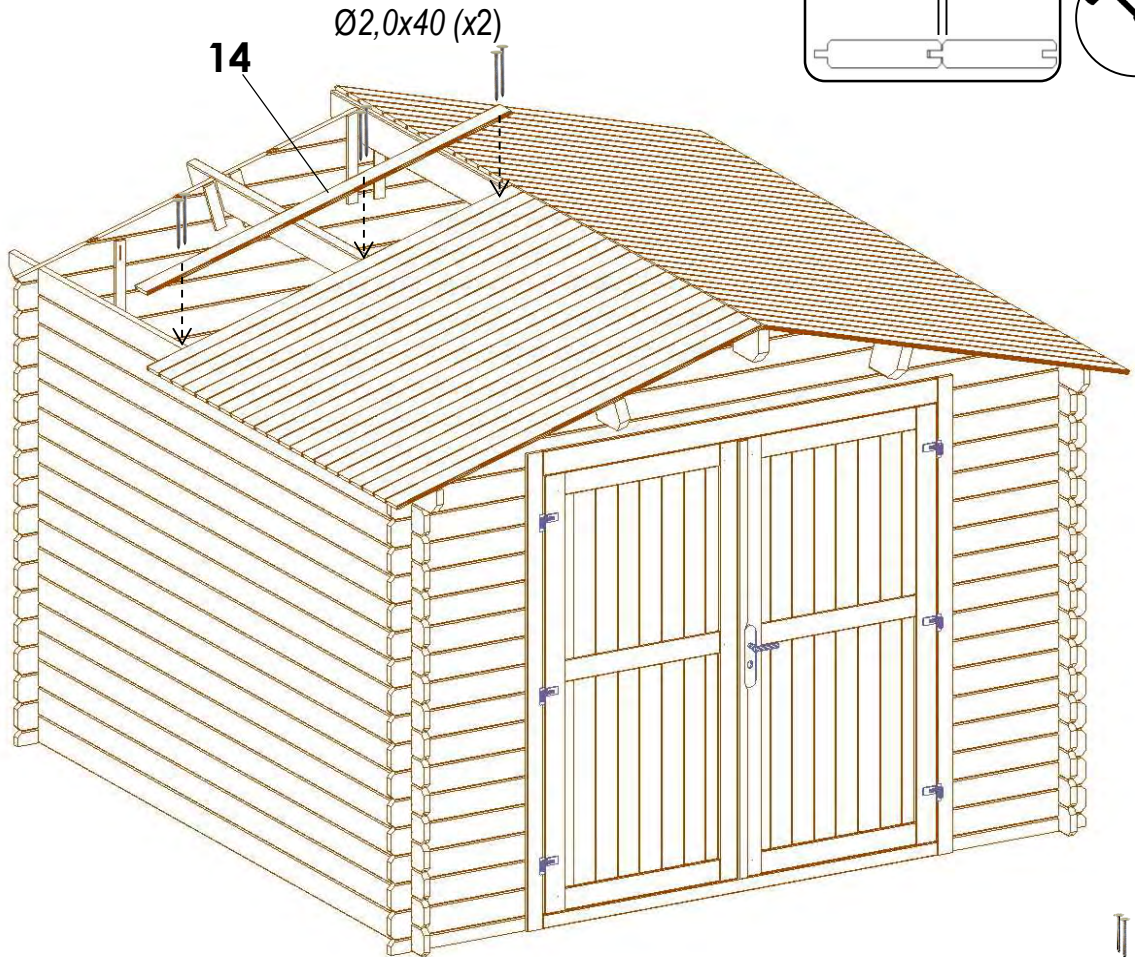
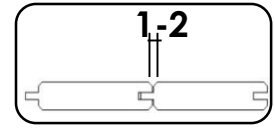
INSIDE 6x $\text{Ø}3,5 \times 35$



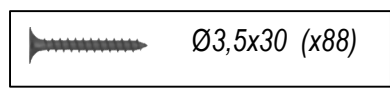
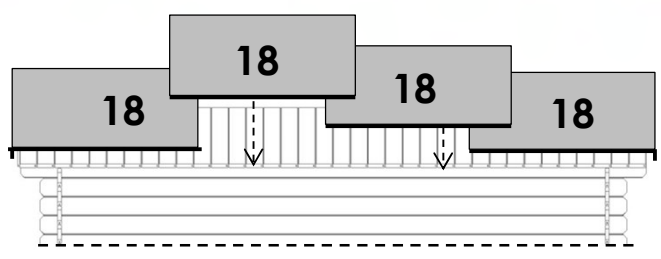
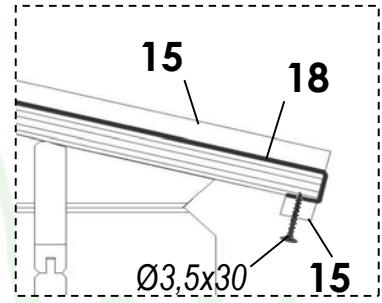
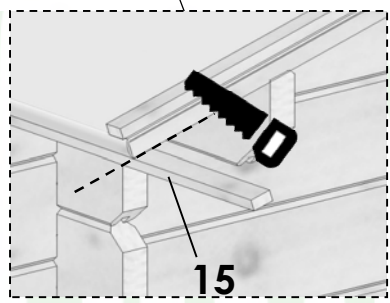
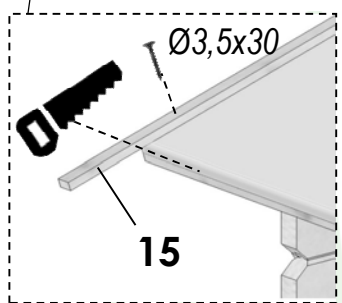
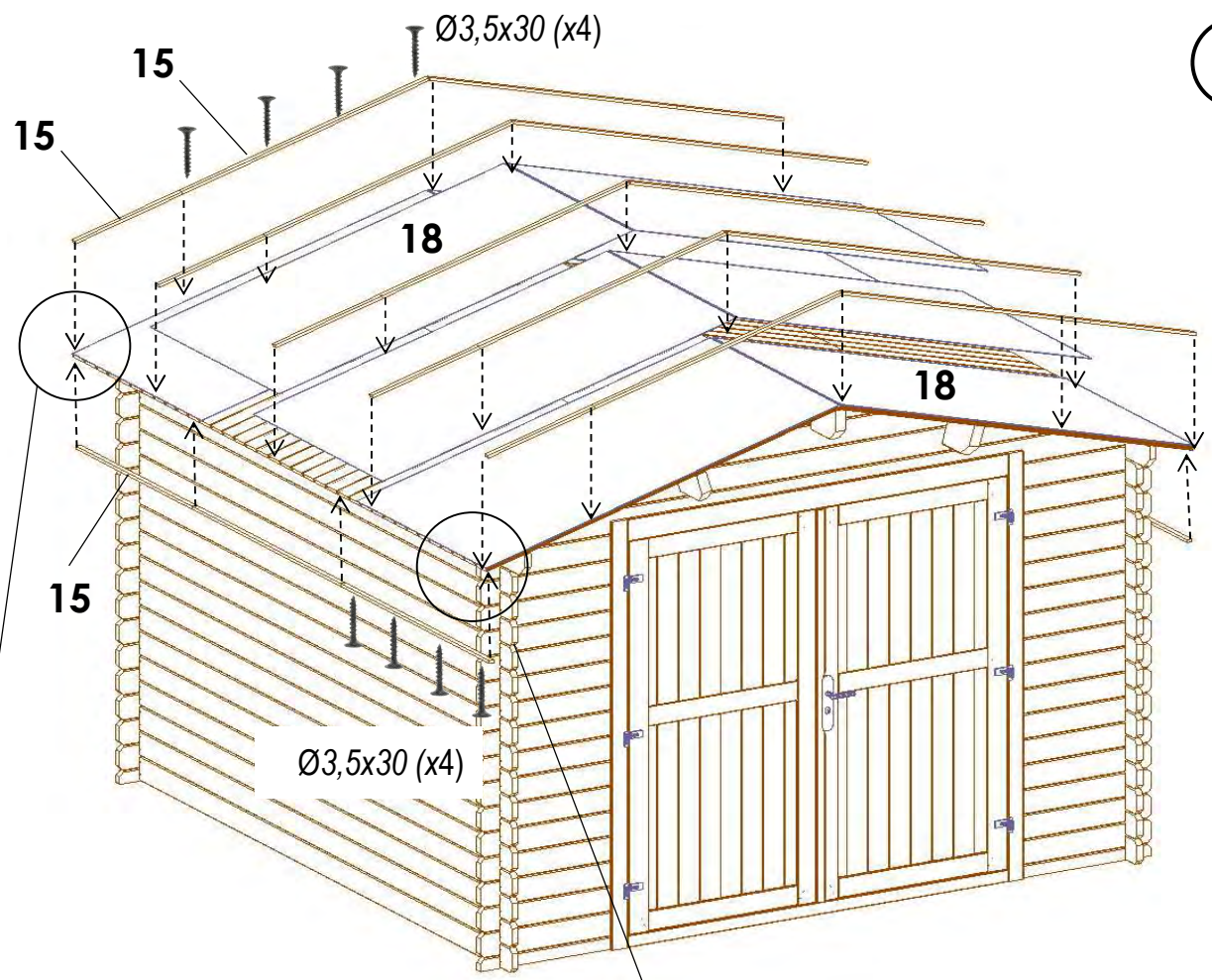
INSIDE 6x $\text{Ø}3,5 \times 35$



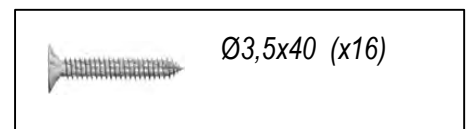
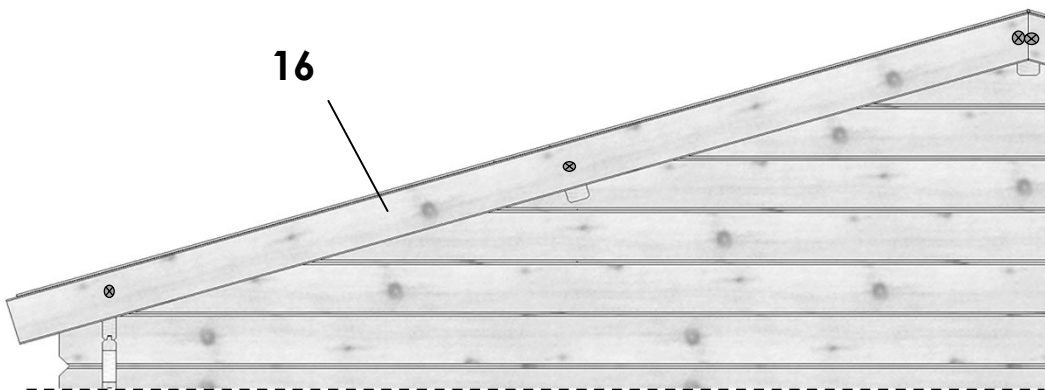
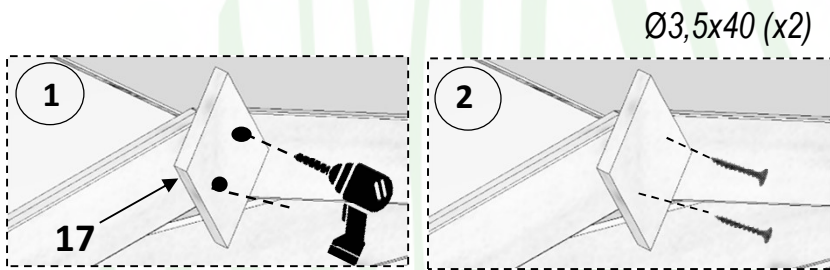
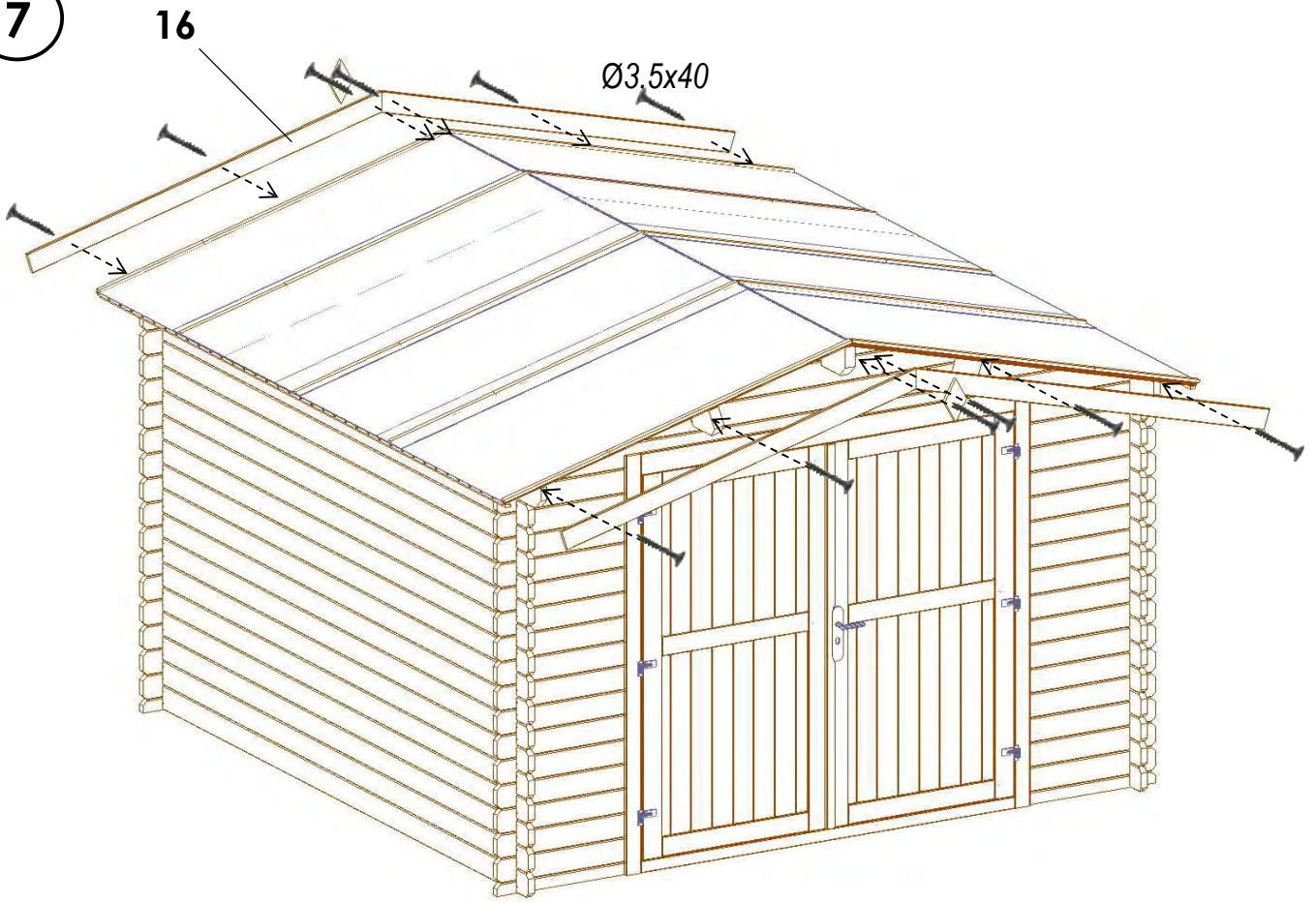
5

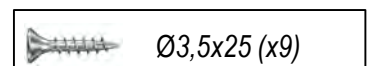
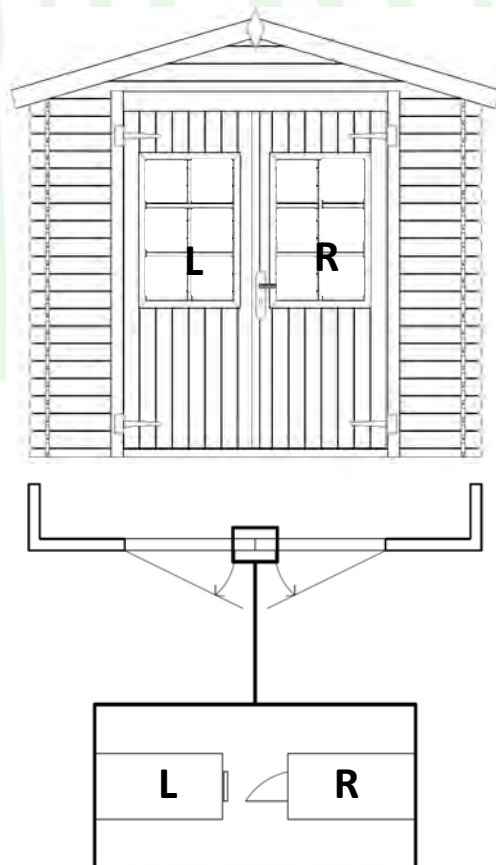
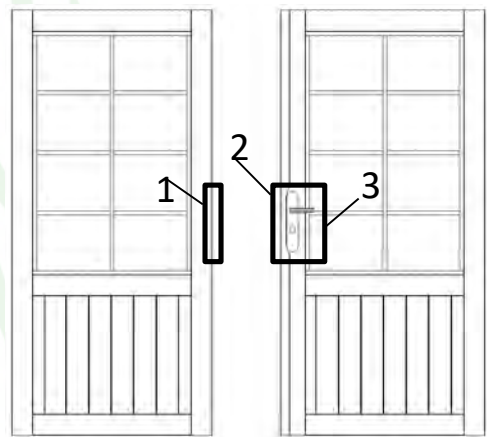
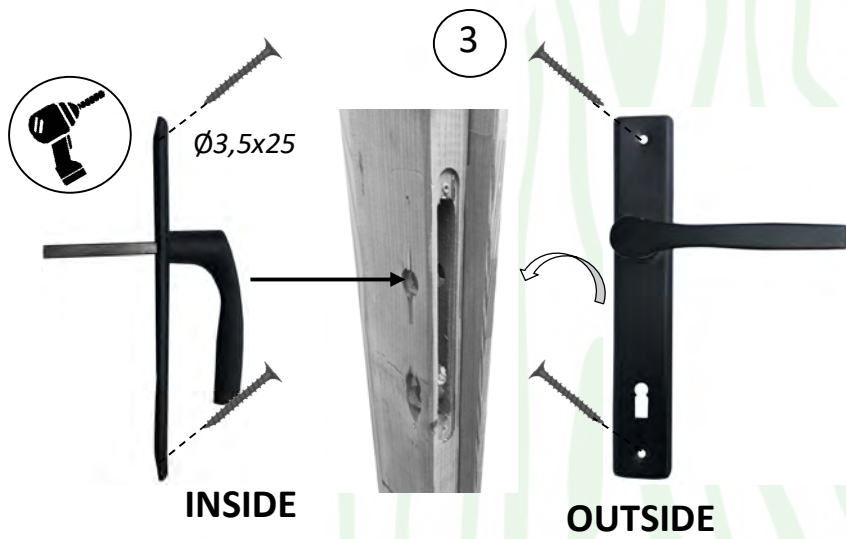
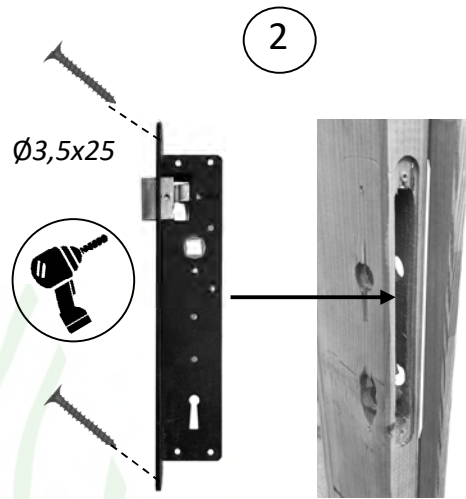
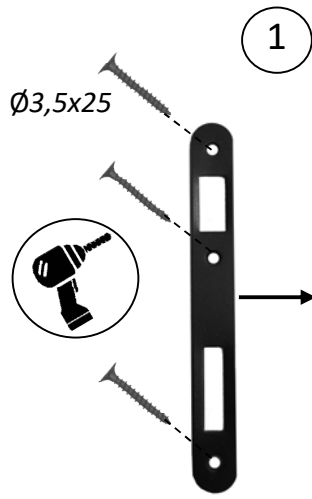


6

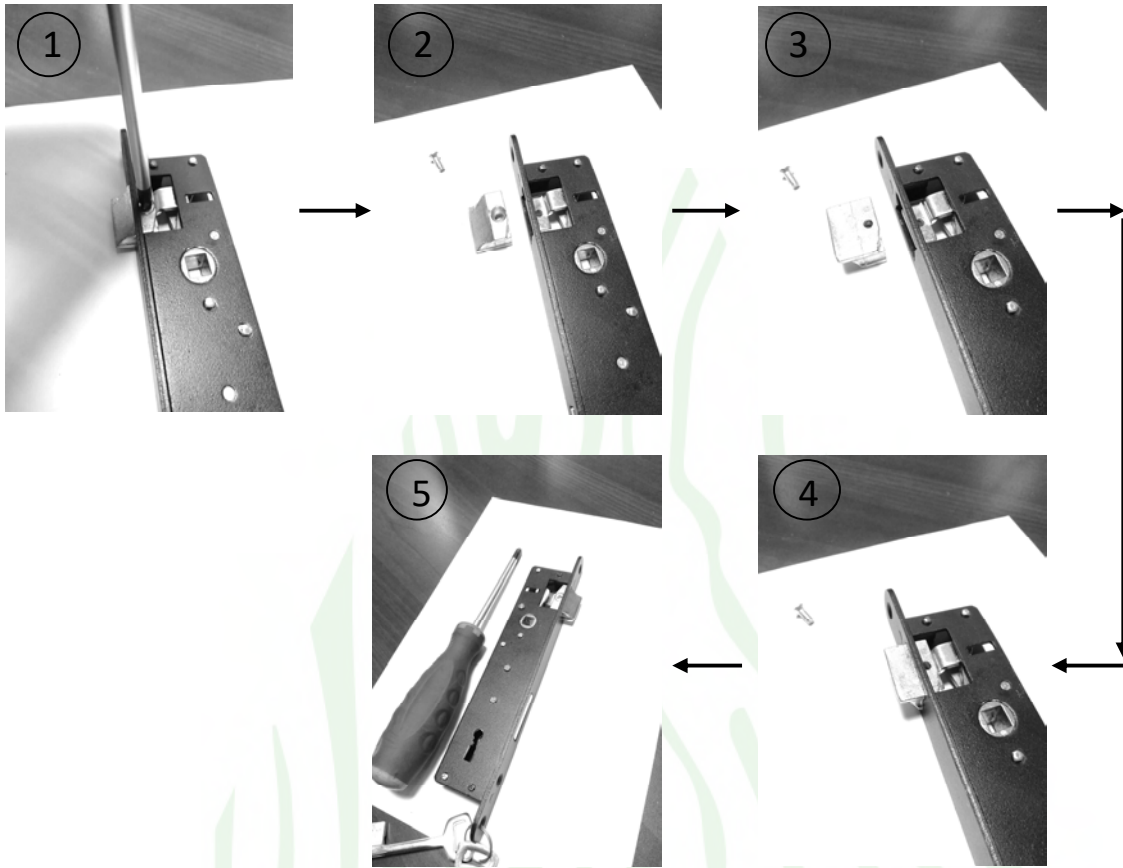


7





lock - change from the left to the right



lock - change from the right to the left

