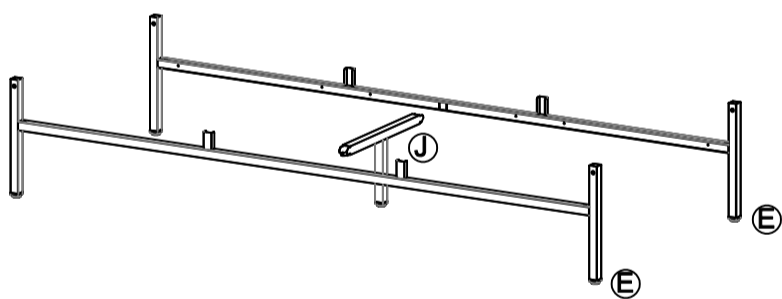
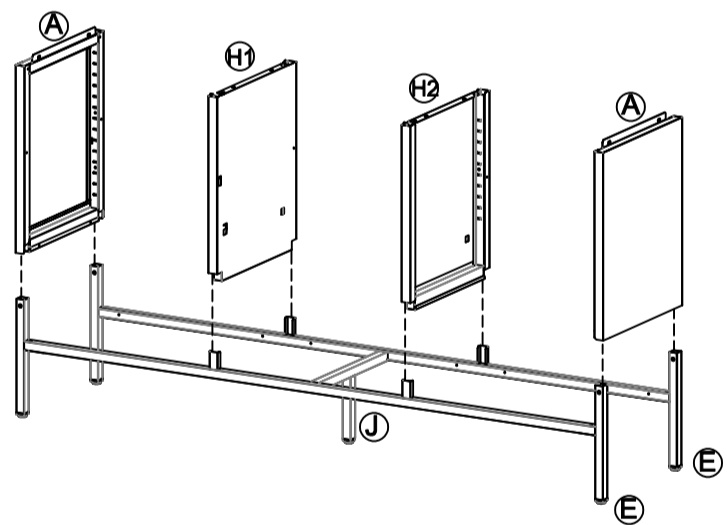


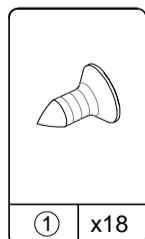
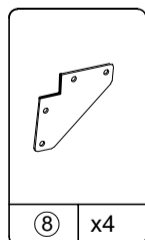
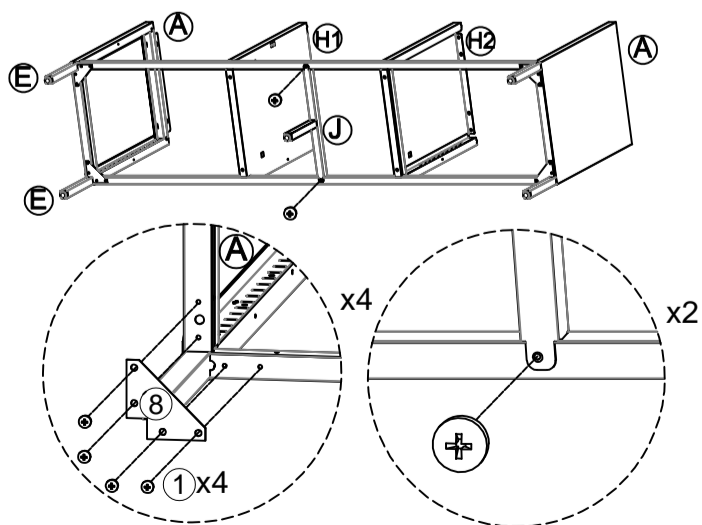
(1) - Attach (J) to (E) as below shown.



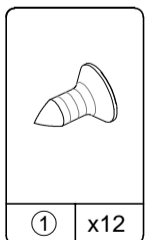
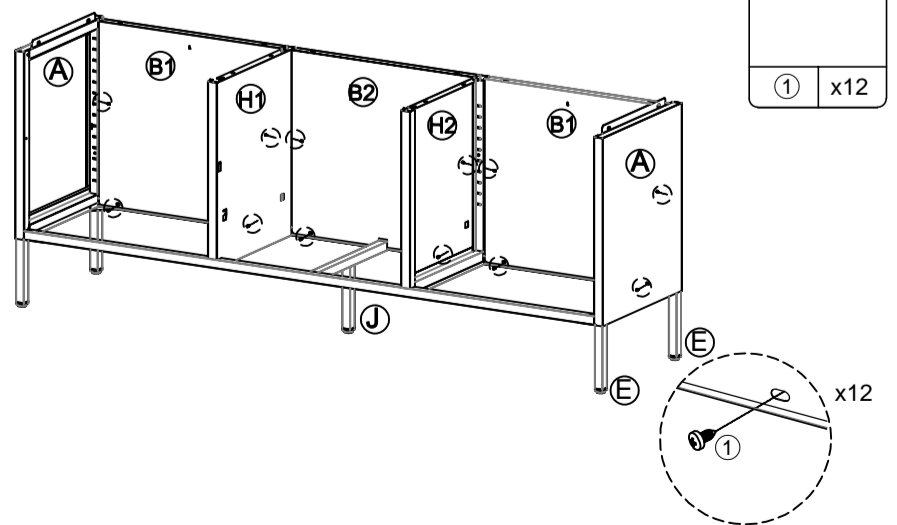
(2) - Attach (A) & (H) to (E) as below shown.



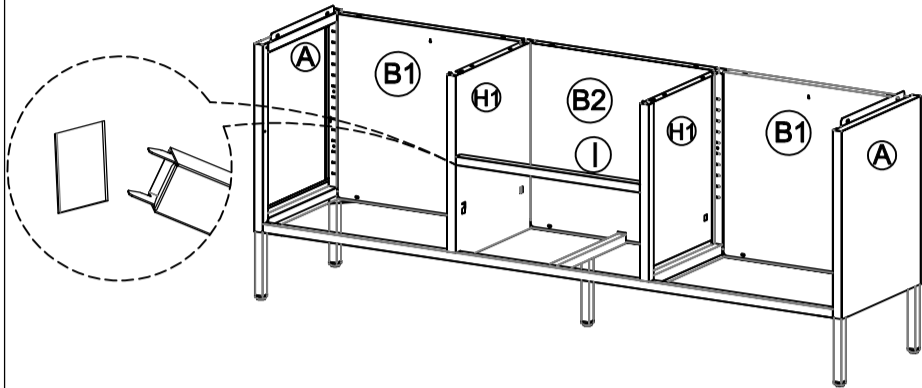
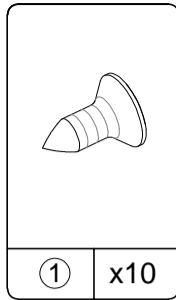
(3) - Attach (8) to (E) as below shown.



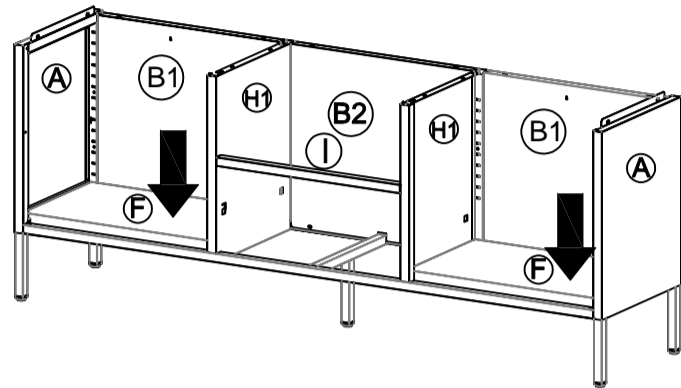
(4) - Attach (B) to (A) & (E) as below shown.



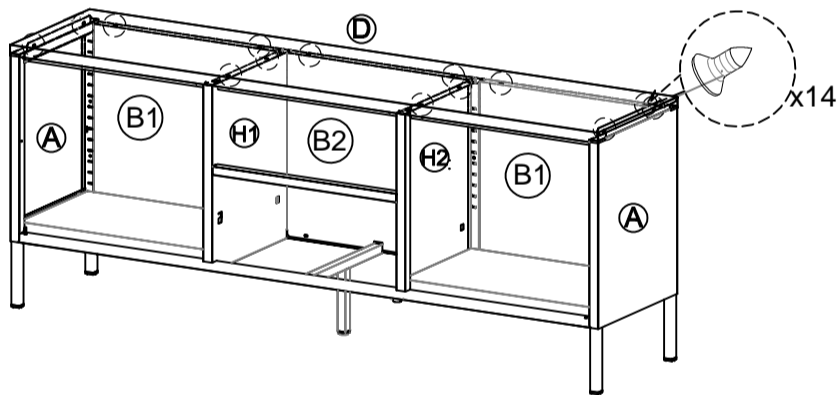
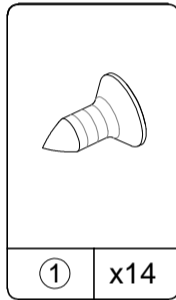
(5) - Attach (I) to (H1) & (H2) as below shown.



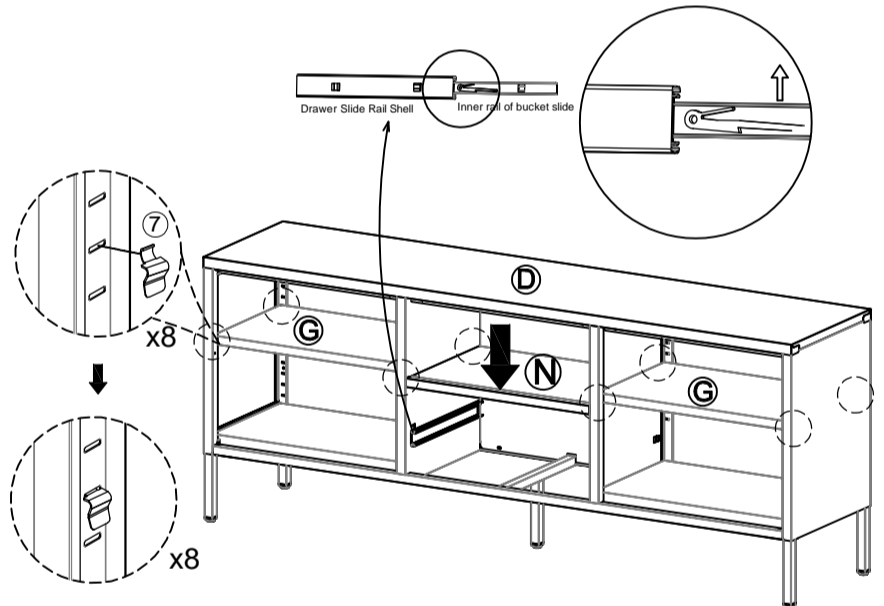
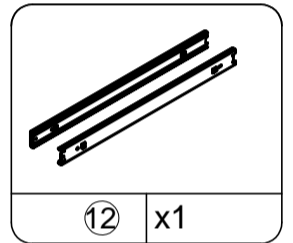
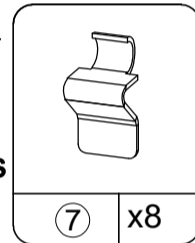
(6) - Attach (F) to (A) & (H) as below shown.



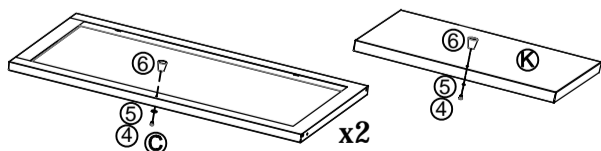
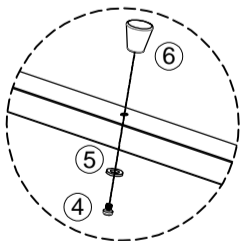
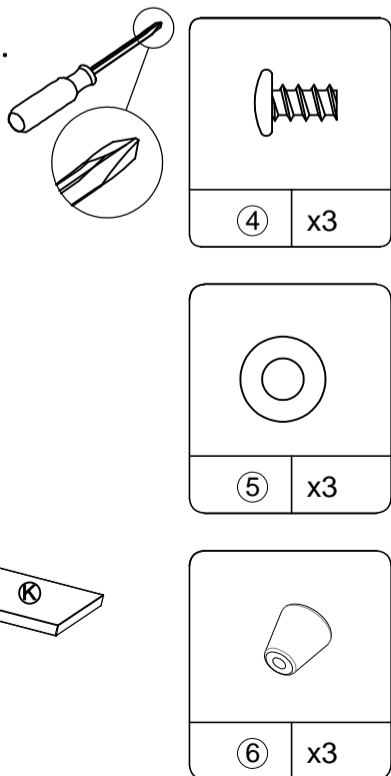
(7) - Attach (D) to (A) as below shown.



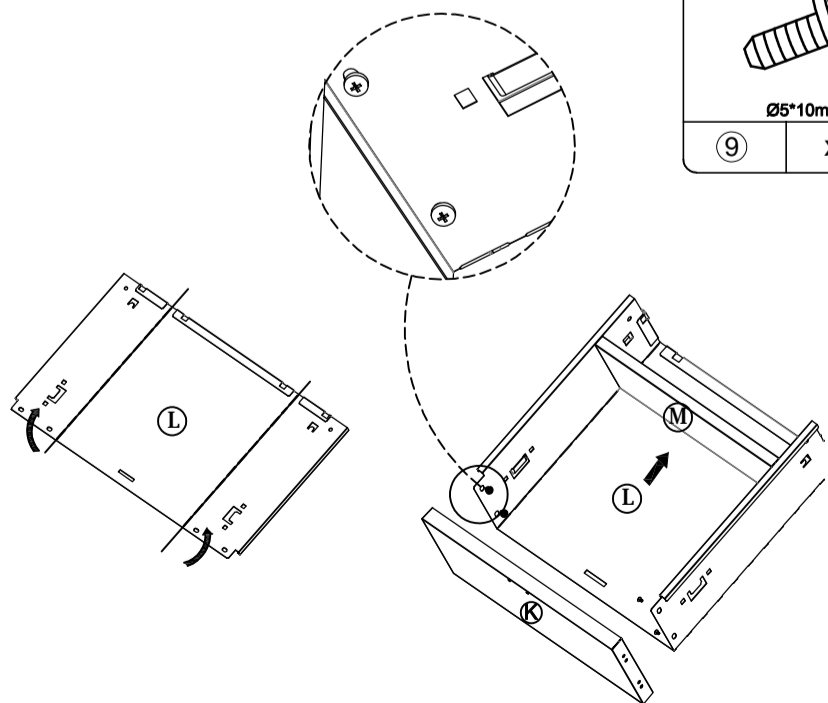
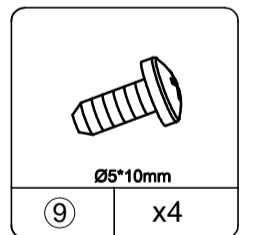
(8) - Attach (12) to (H1) & (H2) as below shown.
- Attach (G) & (N) to pre-assembled unit as below shown.



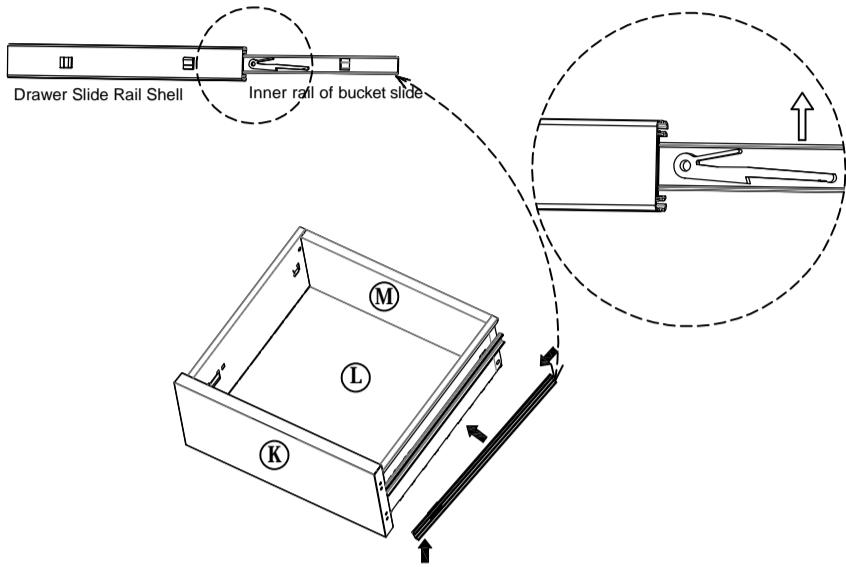
(9) - Attach (6) to (C) as below shown.



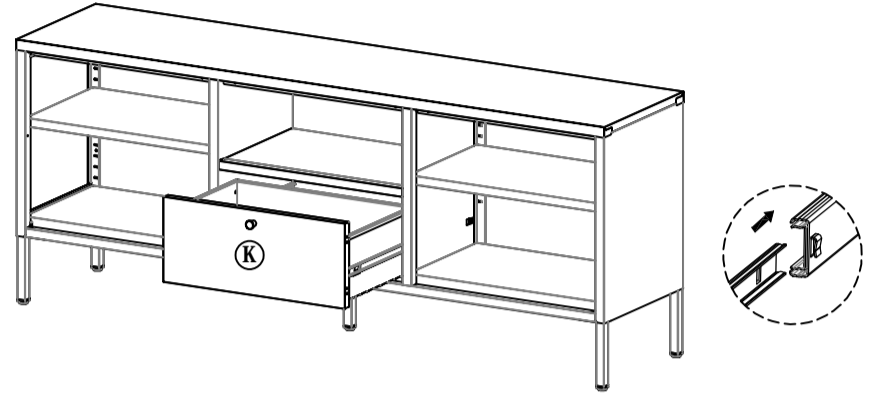
(10) - Attach (L) & (M) to (K) as below shown.



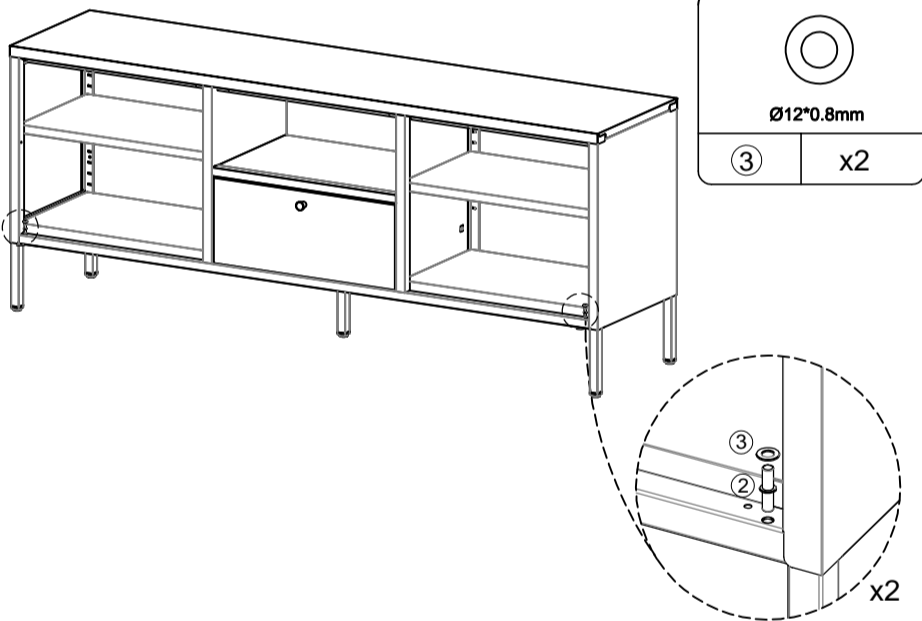
(11) -Attach Inner rail of Drawer Slide to Drawer as below shown.



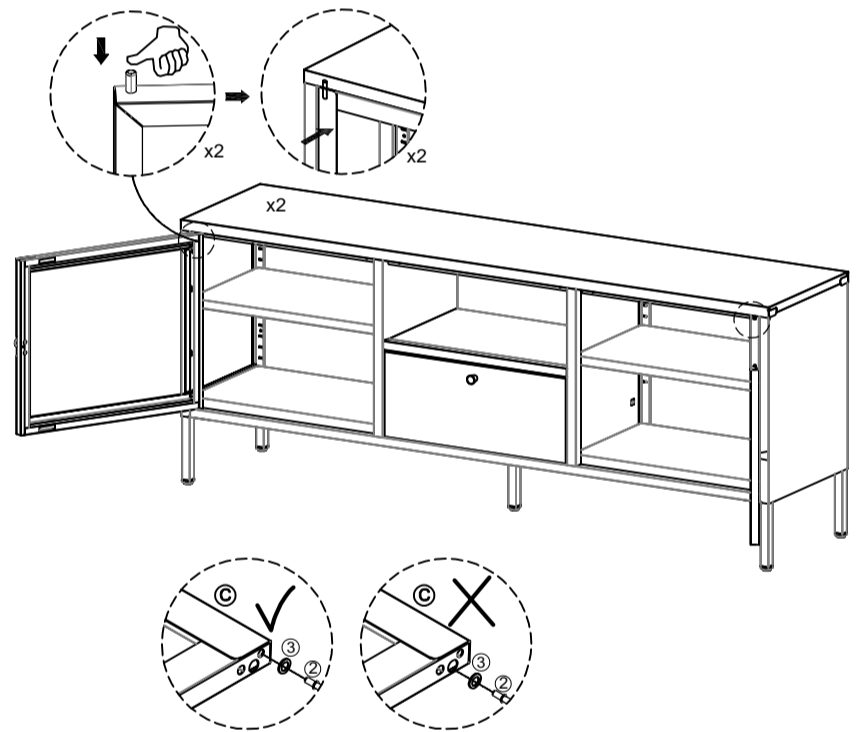
(12) -Attach Drawer to pre-assembled unit as below shown.



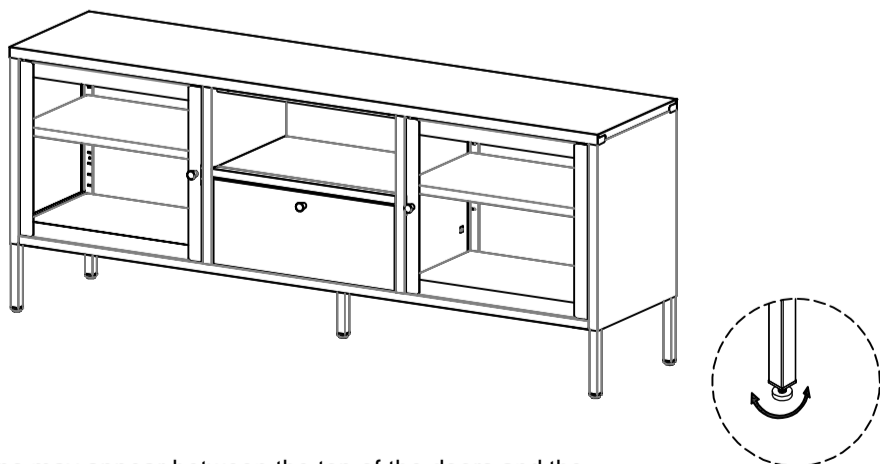
(13) -Attach (2) & (3) to pre-assembled unit as below shown.



(14) - Attach (C) to pre-assembled unit as below shown.



(15)



Gaps may appear between the top of the doors and the frame if the item is not on level ground; use the plastic foot cover to level.

(16)

