

EN

DE

FR

NL

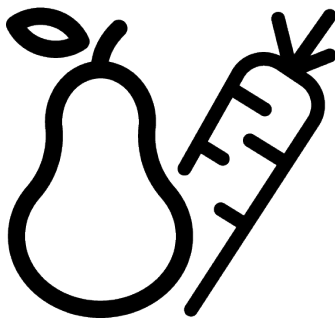
beko

Refrigerator / User Manual

Kühlschrank / Bedienungsanleitung

Congélateur / Réfrigérateur / Manuel d'utilisation

Koelkast / Gebruiker Handleiding



FSE1174N

58 6995 0000/ EN/ DE/ FR/ NL/ 1/5_AG/ 15.04.24 16:00
7224940510



Please read this manual first!

Dear Customer

Please read this manual before using the product.

Thank you for choosing this Beko product. We would like you to achieve the optimal efficiency from this high quality product which has been manufactured with state of the art technology. To do this, carefully read this manual and any other documentation provided before using the product and keep it as a reference.

Heed all information and warnings in the user manual. This way, you will protect yourself and your product against the dangers that may occur.

Keep the user manual. Include this manual with the unit if you hand it over to someone else.

The following symbols are used in the user manual:



Hazard that may result in death or injury.



Important information or useful tips on operation.



Read the user manual.



Combustible material, warning against fire hazard.

NOTICE A hazard that may cause material damage to the product or its surroundings




  SUPPLIER'S NAME MODEL IDENTIFIER → (*)  	<p>The model information as stored in the product data base can be reached by entering following website and searching for your model identifier (*) found on energy label.</p> <p>https://eprel.ec.europa.eu/</p>
--	--

Table of Contents

1	Safety Instructions.....	4
1.1	Intention of Use	4
1.2	Safety of Children, Vulnerable Persons and Pets	4
1.3	Electrical Safety.....	5
1.4	Handling Safety	5
1.5	Installation Safety.....	6
1.6	Operational Safety.....	8
1.7	Food Storage Safety.....	10
1.8	Maintenance and Cleaning Safety	11
1.9	Disposal of the Old Product.....	12
2	Environmental Instructions.....	12
2.1	Compliance with the WEEE Dir- ective and Disposing of the Waste Product	12
3	Your Freezer.....	13
4	Installation	13
4.1	Right Place For Installation.....	13
4.2	Electrical Connection	14
4.3	Attaching the Plastic Wedges	14
4.4	Adjusting the Legs.....	14
4.5	Hot Surface Warning.....	14
5	Preparation.....	15
5.1	What To Do For Energy Saving	15
5.2	First Use	15
5.3	Climate Class and Definitions	15
6	Operating the Product.....	16
7	Use of Your Appliance.....	16
7.1	Adjusting the Operating Temper- ature	16
7.2	Freezing Fresh Foods.....	17
8	Maintenance and Cleaning	21
9	Troubleshooting	22

1 Safety Instructions

- This section includes the safety instructions necessary to prevent the risk of personal injury or material damage.
- Our company shall not be held responsible for damages that may occur if these instructions are not observed.



Always have installation and repair operations performed by manufacturer, authorized service or a person who will be described by importer company.



Use original spare parts and accessories only.



Do not repair or replace any component of the product unless it is clearly specified in the user manual.



Do not perform any modifications on the product.

1.1 Intention of Use

- This product is not suitable for commercial use and should not be used for a purpose other than its intended use.
- This product is intended for operating interiors, such as households or similar.

For example;

In the staff kitchens of the stores, offices and other working environments,

In farm houses,
In the units of hotels, motels or other resting facilities that are used by the customers,
In hostels, or similar environments,
In catering services and similar non-retail applications.

- This product shall not be used in open or enclosed external environments such as vessels, camper vans, balconies or terraces. Exposing the product to rain, snow, sunlight and wind may cause risk of fire.



1.2 Safety of Children, Vulnerable Persons and Pets

- This product may be used by children aged 8 years and older and persons with underdeveloped physical, sensory or mental capabilities or lack of experience and knowledge if they are being supervised or have been given instruction concerning use of the appliance in a safe way and the hazards involved.
- Children between 3 and 8 years are allowed to put and take out food into/from the cooler product.

- Children and pets must not play with, climb on, or get inside the product.
- Children and pets must be kept away from the cabin area (compressor) where electrical parts are located.
- Cleaning and user maintenance must not be performed by children unless there is someone overseeing them.
- Keep the packaging materials away from children. Risk of injury and suffocation.

1.3 Electrical Safety

- The product shall not be plugged into the outlet during installation, maintenance, cleaning, repair, and transportation operations.
- If the power cable is damaged, it shall only be replaced by authorized service to avoid any risks that may occur.
- Do not tuck the power cable under the product or to the rear of the product. Do not put heavy items on the power cable. The power cable should not be bent, crushed, and come into contact with any heat source.
- Do not use an extension cord, multi-plug or adaptor to operate your product.

- Portable multi-plugs or portable power supplies may overheat and cause fire. Thus, do not have a multi-plug, portable power sources behind or in the vicinity of the product.
- Do not plug the product's power cord in a loose or damaged power outlet. These types of connections may overheat and cause fire.
- The plug shall be easily accessible. If this is not possible, a mechanism that meets the electrical legislation and that disconnects all terminals from the mains (fuse, switch, main switch, etc.) shall be available on the electrical installation.
- The product must not be operated with an external switching device such as a timer, or a remote controlled system.
- Do not use the product when your feet are bare or your body is wet.
- Do not touch the plug with wet hands.
- When unplugging the appliance, don't hold the power cord, but the plug.

1.4 Handling Safety

- Make sure to unplug the appliance before carrying the product.

- This product is heavy, do not handle it by yourself. Injuries may occur if the product falls on you. Do not bump into places or drop the product while transporting it.
- Always close the doors and do not hold the product by its doors while transporting it.
- Be careful not to damage the cooling system and the pipes while handling the product. Do not operate the product if the pipes are damaged, and contact an authorized service.
- Check for any damage on the product before installing it. Do not have the product installed if it is damaged.
- Always use personal protective equipment (gloves, etc.) during product installation, maintenance and repair. Risk of Injury!
- Place the product on a clean, level and hard surface and balance it with the adjustable legs (by rotating the front feet to the right or left). Otherwise, the refrigerator may tip over and cause injuries.

1.5 Installation Safety

- Contact the Authorized Service for the product's installation. To prepare the product for use, see the information in the user manual and make sure the electric and water utilities are as required. If not, call a qualified electrician and plumber to arrange the utilities as necessary. Failure to do so may result in electric shock, fire, problems with the product, or injury.
- This product is designed for use at a maximum altitude of 2000 metres above sea level.
- Keep children away from installation area.
- The product shall be installed in a dry and ventilated environment. Do not keep carpets, rugs or similar covers under the product. This may cause risk of fire as a result of inadequate ventilation!
- Do not block or cover ventilation holes. Otherwise, power consumption increases and your product may be damaged.
- When placing the product, make sure that the supply cable is not damaged or pinched.
- The product must not be connected to supply systems and power sources which may cause sudden voltage changes (i.e. a portable solar-energy power source). Otherwise,

damage to your product may occur as a result of the abrupt voltage fluctuations!

- The more refrigerant a refrigerator contains, the bigger its installation room shall be. In very small rooms, a flammable gas-air mixture may occur in case of a gas leak in the cooling system. At least 1 m³ of volume is required for each 8 grams of refrigerant. The amount of the refrigerant available in your product is specified in the Type Label.
- The product must never be placed in such a way that power cables, the metal hose of the gas stove, metal gas or water pipes come into contact with the product's rear wall (or the condenser).
- The installation place of the product must not be exposed to direct sunlight and it shall not be in the vicinity of a heat source such as stoves, radiators, etc. If you cannot prevent installation of the product in the vicinity of a heat source, use a suitable insulation plate and make sure the minimum distance to the heat source is as specified below:
 - At least 30 cm away from heat sources such as stoves, ovens, heating units and heaters, etc.,
 - And at least 5 cm away from electrical ovens.
- Your product has the protection class of I.
- Plug the product in a grounded socket that conforms with the Voltage, Current and Frequency values specified in the type label. The socket must have a 10A – 16A fuse. Our firm will not assume responsibility for any damages due to usage without earthing and without power connection in compliance with local and national regulations.
- The product's power cable must be unplugged during installation. Otherwise, risk of electric shock and injury may occur!
- Do not plug the product's power cord in loose, dislocated, broken, dirty, oily power outlets which have a risk of water contact. These types of connections may cause overheating and fire.
- Place the power cable and hoses (if any) of the product so that they shall not cause a risk of tripping over.

- Penetration of humidity and liquid to live parts or to the power cord may cause short circuit. Thus, do not use the product in humid environments or in areas where water may splash (e.g. garage, laundry room, etc.) If the refrigerator is wet by water, unplug it and contact an authorized service.
- Do not ever connect your refrigerator to power saving devices. These systems are harmful for the product.
- There is a risk of contact with electrical parts when removing the electronic board cover and the compressor rear cover (if fitted). Do not remove the electronic board cover and the compressor rear cover (if fitted). There is a risk of electrocution!
- Do not place a source of flame (e.g. candles, cigarettes, etc.) on the product or in the vicinity of it.
- Do not get on the product. Risk of falling and injury!
- Do not cause damage to the pipes of the cooling system using sharp and piercing tools. The refrigerant that sprays out in case of puncturing the gas pipes, pipe extensions or upper surface coatings may cause irritation of skin and injury to the eyes.
- Do not place and operate electrical appliances inside the refrigerator/freezer unless it is advised by the manufacturer.
- Do not jam any parts of your hands or your body to the moving parts inside the product. Be careful to prevent jamming of your fingers between the refrigerator and its door. Be careful while opening or closing the door if there are children around.
- Do not put ice cream, ice cubes or frozen food to your mouth as soon as you take them out of the freezer. Risk of frostbite!

1.6 Operational Safety

- Do not ever use chemical solvents on the product. These materials contain an explosion risk.
- In case of a failure of the product, unplug it and do not operate until it is repaired by the authorized service. There is a risk of electric shock!

- Do not touch the inner walls, metal parts of the freezer or food kept inside the freezer with wet hands. Risk of frost-bite!
- Do not place soda cans or cans and bottles that contain fluids that may be frozen to the freezer compartment. Cans or bottles may explode. Risk of injury and material damage!
- Do not use or place materials sensitive against temperature such as flammable sprays, flammable objects, dry ice or other chemical agents in the vicinity of the refrigerator. Risk of fire and explosion!
- Do not store explosive materials such as aerosol cans with flammable materials inside the product.
- Do not place cans containing fluids over the product an open state. Splashing of water on an electrical part may cause an electric shock or a fire.
- Due to risk of breaking, do not store glass containers with liquid inside in the freezer compartment.
- This product is not intended for storage and cooling of medicines, blood plasma, laboratory preparations or similar materials and products that are subject to the Medical Products Directive.
- If the product is used against its intended purpose, it may cause damage to or deterioration of the products stored inside.
- If your refrigerator is equipped with blue light, do not look at this light with optical devices. Do not stare directly at UV LED light for a long time. Ultraviolet rays may cause eye strain.
- Do not fill the product with more contents than its capacity. Injuries or damages may occur if the contents of the refrigerator fall when the door is opened. Similar problems may also occur when an object is placed over the product.
- Ensure that you have removed any ice or water that may have fallen to the floor to prevent injuries.
- Change the locations of the racks/bottle racks on the door of your refrigerator only when the racks are empty. Danger of injury!
- Do not place objects that may fall/tip over on the product. These objects may fall while opening or closing the door and cause injuries and/or material damages.

- Do not hit or exert excessive pressure on glass surfaces. Broken glass may cause injuries and/or material damages.
- The cooling system in your product contains R600a refrigerant. The refrigerant type used in the product is specified in the type label. This gas is flammable. Therefore, be careful not to damage the cooling system and the pipes while operating the product. In case of damage to the pipes;
 1. Do not touch the product or the power cable.
 2. Keep the product away from potential sources of fire that may cause the product to catch fire.
 3. Ventilate the area where the product is placed. Do not use a fan.
 4. Contact Authorized Service. If the product is damaged and you observe gas leak, please stay away from the gas. Gas may cause frostbite if it contacts your skin. Before disposing of old products that shall not be used any more:
 1. Unplug the power cord from the mains socket.
 2. Cut the power cable and remove it from the appliance together with the plug.
- 3. Do not remove the racks and drawers from the product to prevent children from getting inside the appliance.
- 4. Remove the doors.
- 5. Store the product so that it shall not be tipped over.
- 6. Do not allow children to play with the scrapped product.
 - Do not dispose of the product by throwing it into fire. Risk of explosion.
 - If there is a lock available on the product's door, keep the key out of children's reach.

1.7 Food Storage Safety

Please pay attention to the following warnings to avoid food spoilage:

- Leaving the doors open for a long time may cause the temperature inside the product to rise.
- Regularly clean the accessible drainage systems in contact with food.
- Clean the water tanks that have not been used for 48 hours and mains-fed water systems that have not been used for more than 5 days.
- Store raw meat and fish products in appropriate compartments within the product.

Thus, it does not drip on or come into contact with other foods.

- Two-star freezer compartments are used for storing pre-filled foods, making and storing ice and ice cream.
- One, two and three-star compartments are not appropriate for freezing fresh food.
- If the cooling product has been left empty for a long time, turn off the product, defrost, clean, and dry the product in order to protect the housing of the product.

1.8 Maintenance and Cleaning Safety

- Unplug the refrigerator before cleaning it or starting to perform maintenance.
- Do not pull by the door handle if you shall move the product for cleaning purposes. Handle may cause injuries if it is pulled too hard.
- Do not put your hands etc. under the refrigerator. Jamming may occur or any sharp edge may cause personal injuries.
- Do not clean the product by spraying or pouring water on the product and inside the product. Risk of electric shock and fire.
- When cleaning the product, do not use sharp and abrasive tools or household cleaning agents, detergent, gas, gasoline, thinner, alcohol, varnish, and similar substances. Use only cleaning and maintenance agents that are not harmful for food inside the product.
- Do not ever use steam or steamed cleaning materials for cleaning the product and thawing the ice inside it. Steam contacts the live areas in your refrigerator and causes short circuit or electric shock.
- Do not use any mechanical tools or any other tools than the recommendations of the manufacturer to speed up the defrost operation.
- Take care to keep water away from the ventilation holes, electronic circuits or lighting of the product.
- Use a clean, dry cloth to wipe the dust or foreign material on the tips of the plugs. Do not use a wet or damp piece of cloth to clean the plug. Otherwise, risk of fire or electric shock may occur.

1.9 Disposal of the Old Product

When disposing of your old product follow the instructions below:

- To prevent children from accidentally locking themselves into the product, if there is door lock, disable it.
- Splash of coolant is harmful to the eyes. Do not damage any part of the cooling system while disposing of the product.

- It may be fatal if the compressor oil is swallowed or if it penetrates the respiratory tract.
- Cooling system of your product includes R600a gas as specified in the type label. This gas is flammable. Do not dispose of the product by throwing it into fire. Risk of explosion!
- C-Pentane is used as a blowing agent in insulation foam and it is a flammable substance. Do not dispose of the product by throwing it into fire.

2 Environmental Instructions

2.1 Compliance with the WEEE Directive and Disposing of the Waste Product



This product complies with EU WEEE Directive (2012/19/EU). This product bears a classification symbol for waste electrical and electronic equipment (WEEE).

This symbol indicates that this product shall not be disposed with other household wastes at the end of its service life. Used device must be returned to official collection point for recycling of electrical and electronic devices. To find these collection systems please contact to your local authorities or retailer where the product was purchased. Each household performs important role in recovering and recycling of old appliance. Appropriate disposal of used

appliance helps prevent potential negative consequences for the environment and human health.

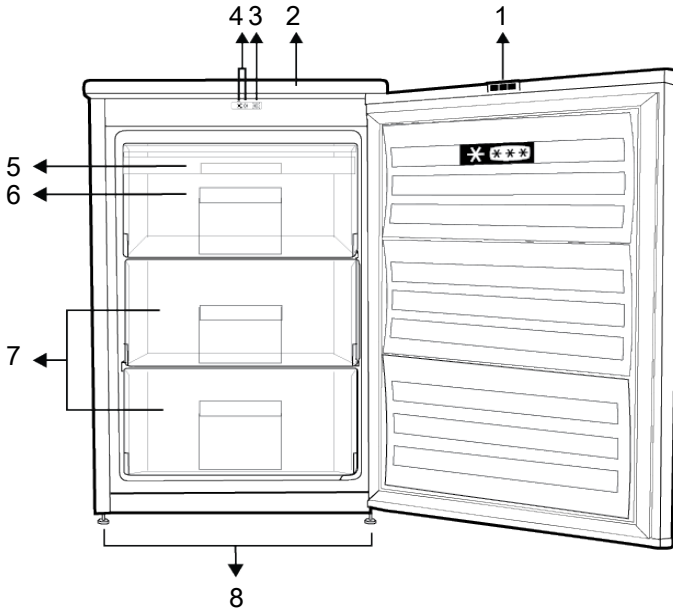
Compliance with RoHS Directive

The product you have purchased complies with EU RoHS Directive (2011/65/EU). It does not contain harmful and prohibited materials specified in the Directive.



Package information

Packaging materials of the product are manufactured from recyclable materials in accordance with our National Environment Regulations. Do not dispose of the packaging materials together with the domestic or other wastes. Take them to the packaging material collection points designated by the local authorities.



- 1 Lighting
- 2 Upper Tray
- 3 Indicator Lights
- 4 Thermostat Knob
- 5 Ice Tray
- 6 Quick Freeze Compartment
- 7 Frozen Food Compartments
- 8 Adjustable Legs

***Optional:** Figures in this user manual are schematic and may not exactly match your product. If your product does not comprise the relevant parts, the information pertains to other models.

4 Installation

 Read the "Safety Instructions" section first!

electric and water utilities are as required. If not, call an electrician and plumber to arrange the utilities as necessary.

4.1 Right Place For Installation

Contact the Authorized Service for the product's installation. To prepare the product for installation, see the information in the user manual and make sure the elec-

**WARNING:**

The manufacturer assumes no responsibility for any damages caused by the work carried out by unauthorized persons.

**WARNING:**

The product's power cable must be unplugged during installation. Failure to do so may result in death or serious injuries!

**WARNING:**

If the door span is too narrow for the product to pass, remove the door and turn the product sideways; if this does not work, contact the authorized service.

- Place the product on a flat surface to avoid vibration.
- Place the product at least 30 cm away from the heater, stove and similar sources of heat and at least 5 cm away from electric ovens.
- Do not expose the product to direct sunlight or keep it in damp environments.
- Check if the rear wall clearance protection component is present at its location (if provided with the product).

4.2 Electrical Connection



Do not use extension cables or multi sockets in power connection.



Damaged power cable must be replaced by Authorized Service.



When placing two coolers in adjacent position, leave at least 4 cm distance between the two units.

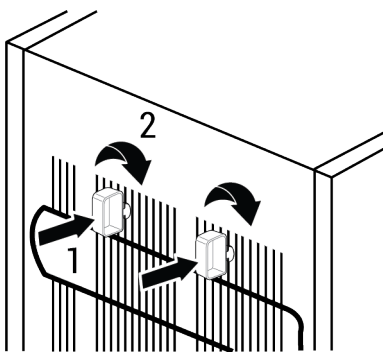
- Our firm will not assume responsibility for any damages due to usage without earthing and without power connection in compliance with national regulations.
- The power cable plug must be easily accessible after installation.

- Do not use multi-group plug with or without extension cable between the wall socket and the refrigerator.

4.3 Attaching the Plastic Wedges

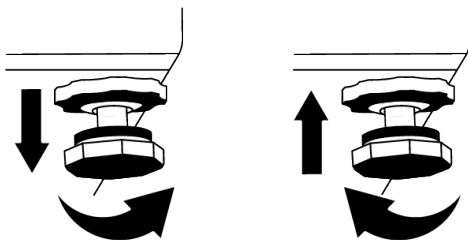
Use the plastic wedges provided with the product to maintain sufficient space for air circulation between the product and the wall. Mount 2 pieces of plastic wedges as shown in the following figure.

(The indicated picture is drawn representatively, it is not completely same as your product.)



4.4 Adjusting the Legs

If the product is not in balanced position, adjust the front adjustable legs by rotating them to right or left.



4.5 Hot Surface Warning

The side walls of your product are equipped with cooler pipes to enhance the cooling system. High pressure fluid may flow through these surfaces, and cause hot surfaces on the side walls. This is normal and it does not require servicing. Be careful when you contact these areas.

5 Preparation



Read the "Safety Instructions" section first!

5.1 What To Do For Energy Saving



Connecting the product to electronic energy-saving systems is harmful, as it may damage the product.

- This refrigerating appliance is not intended to be used as a built in appliance.
- Do not keep the refrigerator doors open for long periods.
- Do not place hot food or beverages into the refrigerator.
- Do not overfill the refrigerator; blocking the internal air flow will reduce cooling capacity.
- Since hot and humid air will not directly penetrate into your product when the doors are not opened, your product will optimize itself in conditions sufficient to protect your food. Under these circumstances, functions and components such as compressor, fan, heater, defrost, lighting, display and so on will operate according to the needs by consuming minimum energy.
- In case that multiple options are present, glass shelves must be placed so that the air outlets at the rear wall are not blocked and preferably, in a way that air outlets remain below the glass shelf. This combination may help improving air distribution and energy efficiency.
- Using the below drawer when storing is strongly recommended.
- Food shall be stored using the drawers in the cooler compartment in order to ensure energy saving and protect food in better conditions.

5.2 First Use

Before using your refrigerator, make sure the necessary preparations are made in line with the instructions in "Safety and Environmental Instructions" and "Installation" sections.

- Keep the product running without placing any food inside for 6 hours and do not open the door, unless absolutely necessary.
- The temperature change caused by opening and closing of the door while using the product may normally lead to condensation on door/body shelves and glassware placed in the product.



A sound will be heard when the compressor is engaged. It is normal for the product to make noise even if the compressor is not running, as fluid and gas may be compressed in the cooling system.



It is normal for the front edges of the refrigerator to be warm. These areas are designed to warm up in order to prevent condensation.



For some models, indicator panel turns off automatically 1 minute after the door closes. It will be reactivated when the door is opened or any button is pressed.

5.3 Climate Class and Definitions

Please refer to the Climate Class on the rating plate of your device. One of the following information is applicable to your device according to the Climate Class.

- **SN:** Long Term Temperate Climate: This cooling device is designed for use at ambient temperatures between 10 °C and 32 °C.

- **N:** Temperate Climate: This cooling device is designed for use at ambient temperatures between 16°C and 32 °C.
- **ST:** Subtropical Climate: This cooling device is designed for use at ambient temperatures between 16°C and 38°C.
- **T:** Tropical Climate: This cooling device is designed for use at ambient temperatures between 16°C and 43°C.

6 Operating the Product



Read the "Safety Instructions" section first!

- Do not use any mechanical tools or any other tools than the recommendations of the manufacturer to speed up the defrost operation.
- Do not use parts of your refrigerator such as the door or drawers as a support or a step. This may cause the product to trip over or its components to be damaged.
- The product shall be used for storing food only.

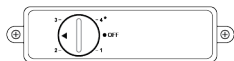
- Turn off the water valve if you will be away from home (e.g. at vacation) and you will not be using the Icematic or the water dispenser for a long period of time. Otherwise, water leaks may occur.

Unplugging the Product

- If you are not going to use the product for a long time, unplug the product from the socket.
- Remove the food to prevent odours,
- Wait for the ice to melt, clean the interior and let it dry, leave the doors open to avoid damaging the inner body plastics.

7 Use of Your Appliance

7.1 Adjusting the Operating Temperature



The operating temperature is set by the temperature control.

1=Lowest cooling setting (Warmest setting)

4=Highest cooling setting (Coldest setting)
(or)

Min. = Minimum cooling setting
(Hottest setting)

Max. = Maximum cooling setting
(Coldest setting)

Please select a setting based on the desired temperature.

The internal temperature also depends on the ambient temperature, the frequency with which the door is opened and the amount of food stored inside.

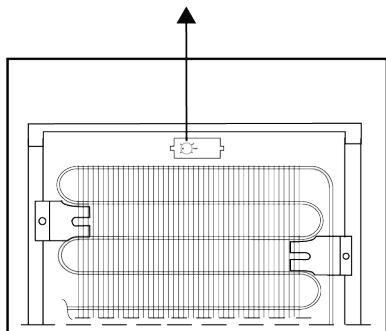
Frequent opening of the door causes the internal temperature to rise.

Therefore, it is recommended that you close the door as soon as possible after use.

The normal storage temperature of your unit should be -18 °C (0 °F). If the thermostat knob is turned counterclockwise from position 1, the appliance will switch off and a "click" will be heard. Lower temperatures can be achieved by moving the thermostat knob towards position 4.

We recommend checking the temperature with a thermometer to ensure that the storage compartments are at the desired temperature.

Remember to read the temperature immediately after removing it from the freezer, as the thermometer temperature rises very quickly.



The thermostat is located on the rear wall of the cabinet (see picture above) and is controlled by the thermostat knob.

7.2 Freezing Fresh Foods

- Foods to be frozen must be divided into portions according to a size to be consumed, and frozen in separate packages. In this way, all the food should be prevented from being re-frozen by thawing.
- In order to protect the nutritional value, the aroma and the colour of the foods as much as possible, vegetables should be boiled for a short period of time before freezing. (Boiling is not necessary for foods such as cucumber, parsley.) Cooking time of the vegetables frozen in this way is shortened by 1/3 than that of the fresh vegetables.
- To extend the storage times of frozen foods, boiled vegetables must first be filtered and then hermetically packaged as in the all types of foods.
- Foods should not be placed in the freezer compartment without package.
- The packaging material of the food to be stored should be air-tight, thick and durable and should not deform with cold and humidity. Otherwise, the food that is hardened by freezing might pierce the package. Sealing the package well is also important in terms of securely storing the food.

The Following Packaging Types Are Suitable to Freeze Food:

Polyethylene bag, aluminium foil, plastic foil, vacuum bags and cold-resistant storage containers with caps.

The Use of Following Types of Packaging Is Not Recommended to Freeze Food:

Packaging paper, parchment paper, cellophane (gelatin paper), garbage bag, used bags and shopping bags.

- Hot foods should not be placed in the freezer compartment without cooling.
- When placing unfrozen fresh foods in the freezer compartment, please note that it does not contact with frozen foods. Cool-pack (PCM) can be placed to the rack immediately below the quick freezing rack for preventing them from being getting warm.
- During the freezing time (24 hours) do not place other food to the freezer.
- Place your foods to the freezing shelves or racks by spreading them so that they will not be cramped (it is recommended that the packaging does not come into contact with each other).
- Frozen foods must be immediately consumed in a short period of time after defrosting and must never be frozen again.
- Do not block the ventilation holes by putting your frozen foods in front of the ventilation holes located on the back surface.
- We recommend you to attach a label onto the package and write the name of the foods in the package and the freezing time.

Foods Suitable for Freezing:

Fish and seafood, red and white meat, poultry, vegetables, fruit, herbaceous spices, dairy products (such as cheese, butter and strained yoghurt), pastries, ready or cooked meals, potato dishes, soufflé and desserts.

Foods Not Suitable for Freezing:

Yoghurt, sour milk, cream, mayonnaise, leaved salad, red radish, grapes, all fruits (such as apple, pears and peaches).

- For foods to be frozen quickly and thoroughly, the following specified amounts per package should not be exceeded.
 - Fruits and vegetables, 0.5-1 kg
 - Meat, 1-1.5 kg

- A small amount of foods (maximum 2 kg) can also be frozen without the use of the quick freezing function.

To obtain the best result, apply the following instructions:

1. Activate the quick freezing function 24 hours before placing your fresh foods.
 2. 24 hours after you have pressed the button, first place your food that you want to freeze to the top shelf with higher freezing capacity. Place your remaining food, if any, to the rightmost part of the second shelf.
 3. The quick freezing function will be automatically deactivated after 52 hours.
 4. Do not try to freeze a large quantity of food at a time. Within 24 hours, this product can freeze the maximum food quantity specified as «Freezing Capacity ... kg/24 hours» on its type label. It is not convenient to put more unfrozen/fresh foods to the freezer compartment than the quantity specified on the label.
1. Switch the adjusting knob to MAX position 24 hours before placing your fresh foods to freeze.
 2. 24 hours after turning the thermostat knob, place the food you wish to freeze in the top drawer (high freezing capacity).
 3. Do not forget to turn the thermostat knob to its previous position, after placing your food.
 4. Do not try to freeze a large amount of food at one time. This product has the capability to freeze the maximum amount of food indicated on the label under the "Freezing Capacity ... kg/24 hours" within a 24-hour period. It is not suitable to put more frozen/fresh food in the freezer compartment than the amount indicated on the label.
- You can review the Meat and Fish, Vegetables and Fruits, Dairy Products tables for placing and storing your foods in the deep-freezer.

Advice on Storing Frozen Foods

- While purchasing your frozen foods, make sure that they are frozen at appropriate temperatures and their packages are not broken.
- Put the packages in the freezer compartment as soon as possible after purchasing them.
- Make sure that the expiration date indicated on the packaging is not expired before consuming the packaged ready meals that you remove from the freezer compartment.

Defrosting

The ice in the freezer compartments is automatically thawed.

Freezer Details

The EN 62552 standard requires (according to specific measurement conditions) that at least 4.5 kg of food for each 100 litres of freezer compartment volume can be frozen at 25 °C ambient temperature in 24 hours.

Defrosting the Frozen Foods

Depending on the food diversity and the purpose of use, a selection can be made between the following options for defrosting:

- At room temperature (it is not very suitable to defrost the food by leaving it at room temperature for a long time in terms of maintaining the food quality)
- In the refrigerator
- In the electrical oven (in models with or without fan)
- In the microwave oven

CAUTION!

- Never put acidic beverages in glass bottles and cans into your freezer due to the risk of explosion.
- If there is moisture and abnormal swelling in the packaging of frozen foods, it is likely that they were previously stored in an improper storage condition and their contents deteriorated. Do not consume these foods without checking.
- Since the taste of some spices in cooked meals may change when exposed to long-term storage conditions, you must

add lesser amount of spices to your foods to be frozen or the desired spices should be added to the foods after the thawing process.

Freezer Compartment Setting	Remarks
1.2	This is the default, recommended setting.
3	These settings are recommended for ambient temperatures exceeding 30°C. Use these settings if you believe the cooler compartment is not cold enough due to ambient temperature or frequently opening the door.
Quick freezing (*MAX or 4)	Use when you want to freeze your food in a short time. It is recommended to be applied to preserve the quality of your fresh food. You do not need to use the quick freezing function when storing frozen food and for freezing small amounts of fresh food up to 2kg per day.

Meat and Fish		Preparation	Longest storage time (month)	
Meat Products	Veal	Steak	By cutting them 2 cm thick and placing foil between them or wrapping tightly with stretch	6-8
		Roast	By packing the pieces of meat in a refrigerator bag or wrapping them tightly with stretch	6-8
		Cubes	In small pieces	6-8
		Schnitzel, chops	By placing foil between cut slices or wrapping individually with stretch	6-8
	Mutton	Chops	By placing foil between meat pieces or wrapping individually with stretch	4-8
		Roast	By packing the pieces of meat in a refrigerator bag or wrapping them tightly with stretch	4-8
		Cubes	By packing the shredded meats in a refrigerator bag or wrapping them tightly with stretch	4-8
	Beef	Roast	By packing the pieces of meat in a refrigerator bag or wrapping them tightly with stretch	8-12
		Steak	By cutting them 2 cm thick and placing foil between them or wrapping tightly with stretch	8-12
		Cubes	In small pieces	8-12
		Boiled meat	By packaging in small pieces in a refrigerator bag	8-12
	Mince		Without seasoning, in flat bags	1-3
	Offal (piece)		In pieces	1-3
	Fermented sausage - Salami		It should be packaged even if it has casing.	1-3
	Jambon		By placing foil between cut slices	2-3
Poultry and hunting animals	Chicken and Turkey		By wrapping in foil	4-6
	Goose		By wrapping in foil (portions should not exceed 2.5 kg)	4-6
	Duck		By wrapping in foil (portions should not exceed 2.5 kg)	4-6
	Deer, Rabbit, Roe Deer		By wrapping in foil (portions should not exceed 2.5 kg, and their bones should be separated)	6-8

Meat and Fish		Preparation	Longest storage time (month)
Fish and sea-food	Freshwater fish (Trout, Carp, Crane, Catfish)	After thoroughly cleaning the inside and scales, it should be washed and dried, and the tail and head parts should be cut when necessary.	2
	Lean fish (Sea bass, Turbot, Sole)		4-6
	Fatty fish (Bonito, Mackereel, Bluefish, Red Mullet, Anchovy)		2-4
	Shellfish	Cleaned and in bags	4-6
	Caviar	In its packaging, in an aluminium or plastic container	2-3

Fruits and Vegetables	Preparation	Longest storage time (month)
String bean and Pole bean	By shock boiling for 3 minutes after washing and cutting into small pieces	10-13
Green pea	By shock boiling for 2 minutes after shelling and washing	10-12
Cabbage	By shock boiling for 1-2 minute(s) after cleaning	6-8
Carrot	By shock boiling for 3-4 minutes after cleaning and cutting into slices	12
Pepper	By boiling for 2-3 minutes after cutting the stem, dividing into two and separating the seeds	8-10
Spinach	By shock boiling for 2 minutes after washing and cleaning	6-9
Leek	By shock boiling for 5 minutes after chopping	6-8
Cauliflower	By shock boiling in a little lemon water for 3-5 minutes after separating the leaves, cutting the core into pieces	10-12
Eggplant	By shock boiling for 4 minutes after washing and cutting into 2cm pieces	10-12
Squash	By shock boiling for 2-3 minutes after washing and cutting into 2cm pieces	8-10
Mushroom	By lightly sauteing in oil and squeezing lemon on it	2-3
Corn	By cleaning and packing in cob or granular	12
Apple and Pear	By shock boiling for 2-3 minutes after peeling and slicing	8-10
Apricot and Peach	Divide in half and extract the seeds	4-6
Strawberry and Raspberry	By washing and shelling	8-12
Baked fruit	By adding 10% sugar in the container	12
Plum, Cherry, Sour Cherry	By washing and shelling the stalks	8-12

Dairy Products	Preparation	Longest Storage Time (Month)	Storage Conditions
Cheese (except feta cheese)	By placing foil therebetween, in slices	6-8	It can be left in its original packaging for short term storage. For long-term storage it should also be wrapped in aluminium or plastic foil.
Butter, margarine	In its own packaging	6	In its own packaging or in plastic containers

**WARNING:**

Read the "Safety Instructions" section first.

**WARNING:**

Unplug the refrigerator before cleaning it.

- Do not use sharp or abrasive tools to clean the product. Do not use materials such as household cleaning agents, soap, detergents, gas, gasoline, thinner, alcohol, wax, etc.
- The dust shall be removed from the ventilation grill on the rear of the product at least once a year (without opening the cover). Clean the product with a dry cloth.
- Take care to keep water away from the lamp's cover and other electrical parts.
- Clean the door with a damp cloth. Remove all contents to remove the door and body racks. Remove the door racks by lifting them upwards. Clean and dry the shelves, then attach back in place by sliding from above.
- Do not use chlorinated water or cleaning products on the exterior surface and chrome-coated parts of the product. Chlorine will cause rust on such metallic surfaces.
- Do not use sharp and abrasive tools, soap, house cleaning materials, detergents, gas, gasoline, varnish and similar substances to prevent deformation of the plastic part and removal of prints on the part. Use warm water and a soft cloth for cleaning, and then dry it.
- On the products without a No-Frost feature, water droplets and icing up to a thickness of a finger may occur on the rear wall of the freezer compartment. Do not clean, and never apply oils or similar materials.

- Use a mildly dampened micro-fibre cloth to clean the external surface of the product. Sponges and other types of cleaning clothes may cause scratches.
- To clean all removable components during the cleaning of the interior surface of the product, wash these components with a mild solution consisting of soap, water and carbonate. Wash and dry thoroughly. Prevent contact of water with illumination components and the control panel.

**CAUTION:**

Do not use vinegar, rubbing alcohol or other alcohol based cleaning agents on any interior surface.

Stainless Steel External Surfaces

Use a non-abrasive stainless steel cleaning agent and apply it with a soft lint-free cloth. To polish, gently wipe the surface with a micro-fibre cloth dampened with water and use dry polishing chamois. Always follow the veins of the stainless steel.

Preventing Odours

The product is manufactured free of any odorous materials. However, keeping the food in inappropriate sections and improper cleaning of internal surfaces may lead to odours.

- To avoid this, clean the inside with carbonated water every 15 days.
- Keep the foods in sealed holders, as micro-organisms arising from foods kept in unsealed containers will cause bad odour.
- Do not keep expired and spoilt foods in the refrigerator.

Protecting Plastic Surfaces

Oil spilled on plastic surfaces may damage the surface and must be cleaned immediately with warm water.

9 Troubleshooting

Check this list before contacting the service. Doing so will save you time and money. This list includes frequent complaints that are not related to faulty workmanship or materials. Certain features mentioned herein may not apply to your product.

The refrigerator is not working.

- The power plug is not fully settled. >>> Plug it in to settle completely into the socket.
- The fuse connected to the socket powering the product or the main fuse is blown. >>> Check the fuse.

Condensation on the side wall of the cooler compartment (MULTI ZONE, COOL CONTROL and FLEXI ZONE).

- The door is opened too frequently. >>> Take care not to open the product's door too frequently.
- The environment is too humid. >>> Do not install the product in humid environments.
- Foods containing liquids are kept in unsealed holders. >>> Keep the foods containing liquids in sealed holders.
- The product's door is left open. >>> Do not keep the product's door open for long periods.
- The thermostat is set to a very cool temperature. >>> Set the thermostat to an appropriate temperature.

Compressor is not working.

- In case of sudden power failure or pulling the power plug off and putting back on, the gas pressure in the product's cooling system is not balanced, which triggers the compressor thermic safeguard. The product will restart after approximately 6 minutes. If the product does not restart after this period, contact the service.
- Defrosting is active. >>> This is normal for a fully-automatic defrosting product. The defrosting is carried out periodically.
- The product is not plugged in. >>> Make sure the power cord is plugged in.

- The temperature setting is incorrect. >>> Select the appropriate temperature setting.
- The power is out. >>> The product will continue to operate normally once the power is restored.

The refrigerator's operating noise is increasing while in use.

- The product's operating performance may vary depending on the ambient temperature variations. This is normal and not a malfunction.

The refrigerator runs too often or for too long.

- The new product may be larger than the previous one. Larger products will run for longer periods.
- The room temperature may be high. >>> The product will normally run for long periods in higher room temperature.
- The product may have been recently plugged in or a new food item is placed inside. >>> The product will take longer to reach the set temperature when recently plugged in or a new food item is placed inside. This is normal.
- Large quantities of hot food may have been recently placed into the product. >>> Do not place hot food into the product.
- The doors were opened frequently or kept open for long periods. >>> The warm air moving inside will cause the product to run longer. Do not open the doors too frequently.
- The freezer or cooler door may be ajar. >>> Check that the doors are fully closed.
- The product may be set to a temperature that is too low. >>> Set the temperature to a higher degree and wait for the product to reach the adjusted temperature.
- The cooler or freezer door washer may be dirty, worn out, broken or not properly settled. >>> Clean or replace the gasket.

Damaged / torn door washer will cause the product to run for longer periods to preserve the current temperature.

The freezer temperature is very low, but the cooler temperature is adequate.

- The freezer compartment temperature is set to a very low degree. >>> Set the freezer compartment temperature to a higher degree and check again.

The cooler temperature is very low, but the freezer temperature is adequate.

- The cooler compartment temperature is set to a very low degree. >>> Set the cooler compartment temperature to a higher degree and check again.

The food items kept in cooler compartment drawers are frozen.

- The cooler compartment temperature is set to a very low degree. >>> Set the cooler compartment temperature to a higher degree and check again.

The temperature in the cooler or the freezer is too high.

- The cooler compartment temperature is set to a very high degree. >>> Temperature setting of the cooler compartment has an effect on the temperature in the freezer compartment. Wait until the temperature of relevant parts reach the sufficient level by changing the temperature of cooler or freezer compartments.
- The doors were opened frequently or kept open for long periods. >>> Do not open the doors too frequently.
- The door may be ajar. >>> Fully close the door.
- The product may have been recently plugged in or a new food item is placed inside. >>> This is normal. The product will take longer to reach the set temperature when recently plugged in or a new food item is placed inside.
- Large quantities of hot food may have been recently placed into the product. >>> Do not place hot food into the product.

Shaking or noise.

- The surface is not flat or durable >>> If the product is shaking when moved slowly, adjust the stands to balance the product. Also make sure the ground is sufficiently durable to bear the product.
- Any items placed on the product may cause noise. >>> Remove any items placed on the product.
- The product is making noise of liquid flowing, spraying etc.
- The product's operating principles involve liquid and gas flows. >>> This is normal and not a malfunction.

There is sound of wind blowing coming from the product.

- The product uses a fan for the cooling process. This is normal and not a malfunction.

There is condensation on the product's internal walls.

- Hot or humid weather will increase icing and condensation. This is normal and not a malfunction.
- The doors were opened frequently or kept open for long periods. >>> Do not open the doors too frequently; if open, close the door.
- The door may be ajar. >>> Fully close the door.

There is condensation on the product's exterior or between the doors.

- The ambient weather may be humid, this is quite normal in humid weather. >>> The condensation will dissipate when the humidity is reduced.

The interior smells bad.

- The product is not cleaned regularly. >>> Clean the interior regularly using sponge, warm water and carbonated water.
- Certain holders and packaging materials may cause odour. >>> Use holders and packaging materials without free of odour.

- The foods were placed in unsealed holders. >>> Keep the foods in sealed holders. Microorganisms may spread out of unsealed food items and cause bad odour.
- Remove any expired or spoiled foods from the product.

The door is not closing.

- Food packages may be blocking the door. >>> Relocate any items blocking the doors.
- The product is not standing in full upright position on the ground. >>> Adjust the stands to balance the product.
- The surface is not flat or durable >>> Make sure the surface is flat and sufficiently durable to bear the product.

The crisper is jammed.

- The food items may be in contact with the upper section of the drawer. >>> Reorganize the food items in the drawer.

DISCLAIMER / WARNING

Some (simple) failures can be adequately handled by the end-user without any safety issue or unsafe use arising, provided that they are carried out within the limits and in accordance with the following instructions (see the "Self-Repair" section).

Therefore, unless otherwise authorized in the "Self-Repair" section below, repairs shall be addressed to registered professional repairers in order to avoid safety issues. A registered Professional repairer is a professional repairer that has been granted access to the instructions and spare parts list of this product by the manufacturer according to the methods described in legislative acts pursuant to Directive 2009/125/EC.

However, only the service agent (i.e. authorized professional repairers) that you can reach through the phone number given in the user manual/warranty card or through your authorized dealer may provide service under the guarantee terms. Therefore, please be advised that

Temperature on the product surface.

- High temperature may be observed between two doors, on the side panels and on the rear grill area while your product is operated. This is normal and it does not require servicing.

Fan continues to operate when the door is opened.

- Fan may continue to operate when the freezer door is open.



WARNING: If the problem persists after following the instructions in this section, contact your vendor or an Authorized Service. Do not try to repair the product. This is normal.

Packaging sorting information

Please scan the QR code which places on the outer packaging of the product to find all the information relating to the packaging and how to manage the packaging waste.

repairs by professional repairers (who are not authorized by) Beko shall void the guarantee.

Self-Repair

Self-repair can be done by the end-user with regard to the following spare parts: door handles, door hinges, trays, baskets and door gaskets (an updated list is also available support.beko.com as of 1st March 2021).

Moreover, to ensure product safety and to prevent risk of serious injury, the mentioned self-repair shall be done following the instructions in the user manual for selfrepair or which are available in support.beko.com. For your safety, unplug the product before attempting any self-repair. Repair and repair attempts by end-users for parts not included in such list and/or not following the instructions in the user manuals for self-repair or which are available in support.beko.com, might give raise to safety issues not attributable to Beko, and will void the warranty of the product.

Therefore, it is highly recommended that end-users refrain from the attempt to carry out repairs falling outside the mentioned list of spare parts, contacting in such cases authorized professional repairers or registered professional repairers. On the contrary, such attempts by end-users may cause safety issues and damage the product and subsequently cause fire, flood, electrocution and serious personal injury to occur.

By way of example, but not limited to, the following repairs must be addressed to authorized professional repairers or registered professional repairers: compressor, cooling circuit, main board, inverter board, display board, etc.

The manufacturer/seller cannot be held liable in any case where end-users do not comply with the above.

The spare part availability of the refrigerator that you purchased is 10 years. During this period, original spare parts will be available to operate the refrigerator properly. The minimum duration of guarantee of the refrigerator that you purchased is 24 months.

This product is equipped with a lighting source of the "G" energy class.

The lighting source in this product shall only be replaced by Professional repairer.

See also

2 DISCLAIMER / WARNING [] 25]

WARNING !

- * DO NOT USE ANY COPPER POT, DISH INSIDE THE CABINET!
- * DO NOT LOAD ANY FOOD WITHOUT PACKAGING!

WARNUNG !

- * BENUTZEN SIE KEINERLEI KUPFERGESCHIRR IM GERÄT!
- * GEBEN SIE KEINE UNVERPACKTEN LEBENSMITTEL IN DAS GERÄT!

AVERTISSEMENT !

- * N'UTILISEZ PAS DE RECIPIENTS OU DE PLATS EN CUIVRE A L'INTERIEUR DES COMPARTIMENTS !
- * N'INTRODUISEZ PAS DE DENREES NON EMBALLEES

Bitte lesen Sie zunächst dieses Handbuch

Lieber Kunde,

Bitte lesen Sie dieses Handbuch, bevor Sie das Produkt verwenden.

Vielen Dank, dass Sie sich für dieses Beko Produkt entschieden haben. Wir möchten, dass Sie mit diesem hochwertigen Produkt, das mit modernster Technologie hergestellt wurde, die optimale Effizienz erzielen. Lesen Sie dazu dieses Handbuch und alle anderen mitgelieferten Dokumentationen sorgfältig durch, bevor Sie das Produkt verwenden, und bewahren Sie sie als Referenz auf.

Beachten Sie alle Informationen und Warnungen im Bedienungsanleitung. Auf diese Weise schützen Sie sich und Ihr Produkt vor den Gefahren, die auftreten können.

Bewahren Sie das Bedienungsanleitung auf. Fügen Sie diese Anleitung dem Gerät bei, wenn Sie sie an eine andere Person übergeben.

In dieser Bedienungsanleitung werden folgende Symbole verwendet:



Gefahr, die zum Tod oder zu Verletzungen führen kann.



Wichtige Informationen oder nützliche Tipps zur Bedienung.







Lesen Sie die Bedienungsanleitung.



Brennbares Material, Warnung vor Brandgefahr.

HINWEIS Eine Gefahr, die zu Materialschäden am Produkt oder seiner Umgebung führen kann

	
SUPPLIER'S NAME	MODEL IDENTIFIER → (*)
	

Die in der Produktdatenbank gespeicherten Modellinformationen können über die folgende Website und die Suche nach Ihrer Modellkennung (*) auf dem Energieetikett abgerufen werden.

<https://eprel.ec.europa.eu/>

Inhaltsverzeichnis

1	Sicherheitshinweise	28
1.1	Verwendungszweck	28
1.2	Sicherheit von Kindern, gefährdeten Personen und Haustieren	28
1.3	Elektrische Sicherheit.....	29
1.4	Handhabungssicherheit.....	30
1.5	Montagesicherheit	30
1.6	Betriebssicherheit	33
1.7	Sicherheit bei der Lagerung von Lebensmitteln.....	36
1.8	Wartungs- und Reinigungssicherheit.....	36
1.9	Entsorgung des alten Produkts	37
2	Umwelthinweise.....	38
2.1	Informationen zur Entsorgung:.....	38
3	Ihr Gefrierschrank.....	39
4	Aufstellung	39
4.1	Richtiger Ort für die Installation....	39
4.2	Elektrischer Anschluss.....	40
4.3	Anbringen der Kunststoffkeile.....	40
4.4	Einstellen der FüÙe.....	41
4.5	Warnung vor heißer Oberfläche!...	41
5	Vorbereitung.....	41
5.1	Was man zum Energiesparen tun kann.....	41
5.2	Erste Verwendung	41
5.3	Klimaklasse und Definitionen	42
6	Produktbedienung	42
7	Verwendung des Geräts.....	43
7.1	Einstellung der Betriebstemperatur	43
7.2	Freezing Fresh Foods.....	43
8	Wartung und Reinigung	48
9	Fehlerbehebung	49

1 Sicherheitshinweise

- Dieser Abschnitt enthält die notwendigen Sicherheitshinweise, um die Gefahr von Personen- und Sachschäden zu vermeiden.
- Unser Unternehmen haftet nicht für Schäden, die bei Nichtbeachtung dieser Anweisungen entstehen können.



Lassen Sie Montage- und Reparaturarbeiten immer vom Hersteller, einem autorisierten Kundendienst oder einer Person, die von der einführnden Firma beschrieben wird, durchführen.



Verwenden Sie nur Originalersatzteile und Zubehör.



Reparieren oder ersetzen Sie keine Komponenten des Produkts, wenn dies nicht eindeutig in der Bedienungsanleitung angegeben ist.



Nehmen Sie keine Änderungen am Produkt vor.

1.1 Verwendungszweck

- Dieses Produkt ist nicht für den kommerziellen Gebrauch geeignet und sollte nicht für einen anderen als den vorgesehenen Zweck verwendet werden.

- Dieses Produkt ist für den Betrieb in Innenräumen, wie z.B. in Haushalten oder ähnlichem, vorgesehen.

Zum Beispiel;

In den Personalküchen von Geschäften, Büros und anderen Arbeitsumgebungen,

In Bauernhöfen,

In den Räumen von Hotels, Motels oder anderen Erholungseinrichtungen, die von Kunden genutzt werden,

In Herbergen oder ähnlichen Umgebungen,

In Catering-Diensten und ähnlichen Anwendungen außerhalb des Einzelhandels.

- Dieses Produkt darf nicht in offenen oder geschlossenen Außenbereichen wie Schiffen, Wohnmobile, Balkonen oder Terrassen verwendet werden. Wenn das Produkt Regen, Schnee, Sonnenlicht und Wind ausgesetzt wird, besteht Brandgefahr.

1.2 Sicherheit von Kindern, gefährdeten Personen und Haustieren

- Dieses Produkt kann von Kindern ab 8 Jahren und Personen mit unterentwickelten kör-

perlichen, sensorischen oder geistigen Fähigkeiten oder mangelnder Erfahrung und Kenntnis verwendet werden, wenn sie beaufsichtigt werden oder eine Einweisung in den sicheren Gebrauch des Geräts und die damit verbundenen Gefahren erhalten haben.

- Kinder zwischen 3 und 8 Jahren dürfen Lebensmittel in das Kühlerprodukt einlegen und aus ihr entnehmen.
- Kinder und Haustiere dürfen nicht mit dem Produkt spielen, darauf herumklettern oder in das Innere des Produkts gelangen.
- Kinder und Haustiere müssen vom Kabinenbereich (Kompressor), in dem sich elektrische Teile befinden, ferngehalten werden.
- Reinigung und Benutzerwartung darf nicht von Kindern durchgeführt werden, es sei denn, sie werden von jemandem beaufsichtigt.
- Halten Sie Verpackungsmaterialien von Kindern fern! Es besteht Verletzungs- und Erstickengefahr.



1.3 Elektrische Sicherheit

- Das Gerät darf während der Installation, Wartung, Reinigung, Reparatur und des Transports nicht an die Steckdose angeschlossen werden.
- Wenn das Netzkabel beschädigt ist, darf es nur von einem autorisierten Kundendienst ausgetauscht werden, um jegliche Risiken zu vermeiden, die auftreten können.
- Verlegen Sie das Netzkabel nicht unter dem Gerät oder an der Rückseite des Geräts. Stellen Sie keine schweren Gegenstände auf das Netzkabel. Das Netzkabel darf nicht geknickt oder gequetscht werden und nicht mit einer Wärmequelle in Berührung kommen.
- Verwenden Sie keine Verlängerungskabel, Mehrfachsteckdosen oder Adapter, um Ihr Gerät zu betreiben.
- Tragbare Mehrfachsteckdosen oder tragbare Netzteile können sich überhitzen und einen Brand verursachen. Stellen Sie daher keine tragbaren Stromquellen mit Mehrfachsteckdosen hinter oder in der Nähe des Geräts auf.
- Schließen Sie das Netzkabel des Geräts nicht an eine lose oder beschädigte Steckdose

an. Derartige Verbindungen können überhitzen und einen Brand verursachen.

- Der Stecker muss leicht zugänglich sein. Wenn dies nicht möglich ist, muss die Elektroinstallation über einen Mechanismus verfügen, der den gesetzlichen Vorschriften entspricht und alle Anschlüsse vom Netz trennt (Sicherheit, Schalter, Hauptschalter usw.).
- Das Produkt darf nicht mit einem externen Schaltgerät wie z. B. einer Zeitschaltuhr oder einem ferngesteuerten System betrieben werden.
- Benutzen Sie das Produkt nicht, wenn Sie nackte Füße haben oder Ihr Körper nass ist.
- Berühren Sie den Stecker nicht mit nassen Händen!
- Fassen Sie beim Ausstecken des Geräts nicht das Netzkabel, sondern den Stecker an.

1.4 Handhabungssicherheit

- Ziehen Sie unbedingt den Netzstecker, bevor Sie das Gerät tragen.
- Dieses Produkt ist schwer, handhaben Sie es nicht selbst. Wenn das Gerät auf Sie fällt, können Sie sich verletzen. Sto-

ßen Sie beim Transport nicht an und lassen Sie das Gerät nicht fallen.

- Schließen Sie immer die Türen und halten Sie das Gerät nicht an den Türen fest, wenn Sie es transportieren.
- Achten Sie beim Umgang mit dem Gerät darauf, dass das Kühlsystem und die Leitungen nicht beschädigt werden. Nehmen Sie das Gerät nicht in Betrieb, wenn die Leitungen beschädigt sind, und wenden Sie sich an einen autorisierten Kundendienst.

1.5 Montagesicherheit

- Wenden Sie sich für die Montage des Geräts an den autorisierten Kundendienst. Um das Gerät für die Verwendung vorzubereiten, lesen Sie die Informationen in der Bedienungsanleitung und stellen Sie sicher, dass die Strom- und Wasserleitungen den Anforderungen entsprechen. Wenn dies nicht der Fall ist, wenden Sie sich an einen qualifizierten Elektriker und einen Monteur, um die Versorgungsleitungen entsprechend zu installieren. Andernfalls kann es zu einem elektrischen Schlag, Brand, Problemen mit dem Gerät oder Verletzungen kommen.

- Dieses Produkt ist für die Verwendung in einer maximalen Höhe von 2000 Metern über dem Meeresspiegel ausgelegt.
- Halten Sie Kinder vom Installationsbereich fern.
- Überprüfen Sie das Gerät vor der Installation auf eventuelle Schäden. Lassen Sie das Gerät nicht installieren, wenn es beschädigt ist.
- Verwenden Sie bei der Installation, Wartung und Reparatur des Produkts stets persönliche Schutzausrüstung (Handschuhe usw.). Verletzungsgefahr!
- Stellen Sie das Gerät auf eine saubere, ebene und stabile Fläche und balancieren Sie es mit den verstellbaren Füßen aus (durch Drehen der vorderen Füße nach rechts oder links). Andernfalls kann der Kühlschrank umkippen und Verletzungen verursachen.
- Das Gerät muss in einer trockenen und belüfteten Umgebung aufgestellt werden. Legen Sie keine Teppiche, Vorleger oder ähnliche Beläge unter das Gerät. Dies kann zu Brandgefahr durch unzureichende Belüftung führen!
- Die Lüftungsöffnungen dürfen nicht blockiert oder abgedeckt werden. Andernfalls erhöht sich der Stromverbrauch und Ihr Produkt kann beschädigt werden.
- Achten Sie beim Platzieren des Produkts darauf, dass das Netzkabel nicht beschädigt oder eingeklemmt wird.
- Das Produkt darf nicht an Versorgungssysteme und Stromquellen angeschlossen werden, die plötzliche Spannungsschwankungen verursachen können (z. B. eine tragbare Solarstromquelle). Andernfalls kann es durch die abrupten Spannungsschwankungen zu Schäden an Ihrem Produkt kommen!
- Je mehr Kältemittel ein Kühlschrank enthält, desto größer sollte sein Aufstellraum sein. In sehr kleinen Räumen kann bei einem Gasaustritt im Kühlsystem ein brennbares Gas-Luft-Gemisch entstehen. Pro 8 Gramm Kältemittel wird mindestens 1 m³ Rauminhalt benötigt. Die Menge des in Ihrem Produkt verfügbaren Kältemittels ist auf dem Typenschild angegeben.
- Das Gerät darf nicht so aufgestellt werden, dass Stromkabel, der Metallschlauch des Gasherds, Gas- oder Wasserleitungen aus Metall mit der Rück-

wand des Geräts (oder dem Verflüssiger) in Berührung kommen.

- Der Aufstellungsort des Produkts darf nicht der direkten Sonneneinstrahlung ausgesetzt sein und sich nicht in der Nähe von Wärmequellen wie Öfen, Heizkörpern usw. befinden. Wenn Sie die Aufstellung des Produkts in der Nähe einer Wärmequelle nicht vermeiden können, verwenden Sie eine geeignete Isolierplatte und stellen Sie sicher, dass der Mindestabstand zur Wärmequelle wie unten angegeben ist:
 - Mindestens 30 cm Abstand zu Wärmequellen wie Herden, Öfen, Heizgeräten und Heizkörpern usw.,
 - Und mindestens 5 cm Abstand zu Elektroöfen.
- Ihr Produkt hat die Schutzklasse I.
- Schließen Sie das Gerät an eine geerdete Steckdose an, die mit den auf dem Typenschild angegebenen Werten für Spannung, Stromstärke und Frequenz übereinstimmt. Die Steckdose muss mit einer 10A - 16A Sicherung ausgestattet sein. Unser Unternehmen übernimmt keine Haftung für alle Schäden aufgrund einer Nutzung ohne Erdung oder ohne eines Stromanschlusses, der nicht den örtlichen und nationalen Vorschriften genügt.
- Während der Aufstellung muss der Gerätenetzstecker gezogen sein. Andernfalls besteht die Gefahr eines Stromschlags und von Verletzungen!
- Schließen Sie das Netzkabel des Geräts nicht an lose, verbogene, kaputte, schmutzige oder ölige Steckdosen an, die mit Wasser in Berührung kommen können. Derartige Anschlüsse können zu Überhitzung und Feuer führen.
- Verlegen Sie das Netzkabel und die Schläuche (falls vorhanden) des Geräts so, dass sie keine Stolpergefahr darstellen.
- Das Eindringen von Feuchtigkeit und Flüssigkeit in stromführende Teile oder in das Netzkabel kann einen Kurzschluss verursachen. Verwenden Sie das Gerät daher nicht in feuchten Umgebungen oder in Bereichen, in denen Wasser spritzen kann (z.B. Garage, Waschküche usw.). Wenn der Kühlschrank nass geworden ist, ziehen Sie den Stecker und wenden Sie sich an einen autorisierten Kundendienst.

- Schließen Sie Ihren Kühlschrank niemals an Energiespargeräte an. Solche Systeme sind schädlich für das Gerät.
- Beim Entfernen der Abdeckung der Elektronikplatine und der hinteren Abdeckung des Kompressors (falls vorhanden) besteht die Gefahr des Kontakts mit elektrischen Teilen. Entfernen Sie nicht die Abdeckung der Elektronikplatine und die hintere Abdeckung des Kompressors (falls vorhanden). Es besteht die Gefahr eines Stromschlags!

1.6 Betriebssicherheit

- Verwenden Sie niemals chemische Lösungsmittel für das Gerät. Diese Stoffe bergen ein Explosionsrisiko.
- Im Falle eines Defekts ziehen Sie den Stecker aus der Steckdose und nehmen Sie das Gerät nicht in Betrieb, bis es von einem autorisierten Kundendienst repariert wurde. Es besteht die Gefahr eines Stromschlags.
- Stellen Sie keine Flammequelle (z.B. Kerzen, Zigaretten usw.) auf das Gerät oder in dessen Nähe.
- Steigen Sie nicht auf das Gerät. Sturz- und Verletzungsgefahr!
- Beschädigen Sie die Leitungen des Kühlsystems nicht mit scharfen und stechenden Werkzeugen. Das Kältemittel, das beim Durchstechen der Gasrohre, der Rohrverlängerungen oder der oberen Oberflächenbeschichtungen austritt, kann zu Hautreizungen und Verletzungen der Augen führen.
- Stellen Sie keine elektrischen Geräte im Inneren des Kühl-/Gefrierschranks auf und betreiben Sie sie nicht, es sei denn, dies wird vom Hersteller empfohlen.
- Klemmen Sie keine Teile Ihrer Hände oder Ihres Körpers in die beweglichen Teile im Inneren des Geräts ein. Achten Sie darauf, dass Ihre Finger nicht zwischen Kühlschrank und Tür eingeklemmt werden. Seien Sie vorsichtig beim Öffnen und Schließen der Tür, wenn Kinder in der Nähe sind.
- Nehmen Sie Eis, Eiswürfel oder gefrorene Lebensmittel nicht sofort in den Mund, wenn Sie sie aus dem Gefrierschrank nehmen. Frostbeulenrisiko!
- Berühren Sie die Innenwände, die Metallteile des Gefrierschranks oder die im Gefrier-

schränk aufbewahrten Lebensmittel nicht mit nassen Händen. Frostbeulenrisiko!

- Stellen Sie keine Getränkedosen oder Dosen und Flaschen, die Flüssigkeiten enthalten, die gefrieren können, in das Gefrierfach. Dosen oder Flaschen können explodieren. Verletzungsgefahr und Gefahr von Sachschäden!
- Verwenden oder lagern Sie keine temperaturempfindlichen Materialien wie brennbare Sprays, brennbare Gegenstände, Trockeneis oder andere chemische Stoffe in der Nähe des Kühlschranks. Brand- und Explosionsgefahr!
- Bewahren Sie keine explosiven Materialien wie Spraydosen mit brennbaren Stoffen im Inneren des Geräts auf.
- Stellen Sie Dosen, die Flüssigkeiten enthalten, nicht im offenen Zustand auf das Produkt. Wenn Wasser auf ein elektrisches Teil spritzt, besteht die Gefahr eines elektrischen Schlags oder eines Brands.
- Bewahren Sie keine Glasbehälter mit Flüssigkeit im Gefrierfach auf, da sie zerbrechen können.
- Dieses Produkt ist nicht für die Lagerung und Kühlung von Arzneimitteln, Blutplasma, Laborpräparaten oder ähnlichen Materialien und Produkten vorgesehen, die unter die Medizinprodukte-Richtlinie fallen.
- Wenn das Produkt nicht bestimmungsgemäß verwendet wird, kann es zu einer Beschädigung oder Beeinträchtigung der darin gelagerten Produkte kommen.
- Wenn Ihr Kühlschrank mit blauem Licht ausgestattet ist, dürfen Sie nicht mit optischen Geräten in dieses Licht blicken. Schauen Sie nicht über einen längeren Zeitraum direkt in das UV-LED-Licht. Ultraviolette Strahlen können die Augen überanstrengen.
- Befüllen Sie das Produkt nicht mit mehr Inhalt als es aufnehmen kann. Es kann zu Verletzungen oder Schäden kommen, wenn der Inhalt des Kühlschranks beim Öffnen der Tür herunterfällt. Ähnliche Probleme können auch auftreten, wenn ein Gegenstand auf das Gerät gestellt wird.
- Vergewissern Sie sich, dass Sie jegliches Eis oder Wasser, das auf den Boden gefallen sein könnte, entfernt haben, um Verletzungen zu vermeiden.

- Ändern Sie die Position der Ablagen/Flaschenablagen an der Tür Ihres Kühlschranks nur, wenn die Ablagen leer sind. Es besteht Verletzungsgefahr!
 - Stellen Sie keine Gegenstände auf das Produkt, die herunterfallen/umkippen können. Diese Gegenstände können beim Öffnen oder Schließen der Tür herunterfallen und Verletzungen und/oder Sachschäden verursachen.
 - Schlagen Sie nicht auf Glasflächen und üben Sie keinen übermäßigen Druck darauf aus. Zerbrochenes Glas kann zu Verletzungen und/oder Sachschäden führen.
 - Das Kühlsystem in Ihrem Produkt enthält das Kältemittel R600a. Der im Produkt verwendete Kältemitteltyp ist auf dem Typenschild angegeben. Das Gas ist entflammbar. Achten Sie deshalb beim Betrieb des Produkts darauf, dass das Kühlsystem und die Leitungen nicht beschädigt werden. Im Falle einer Beschädigung der Rohre;
 1. Berühren Sie nicht das Produkt oder das Netzkabel.
 2. Halten Sie das Gerät von potenziellen Feuerquellen fern, die das Gerät in Brand setzen könnten.
 3. Belüften Sie den Bereich, in dem das Gerät aufgestellt ist. Verwenden Sie keinen Ventilator.
 4. Wenden Sie sich an den autorisierten Kundendienst.
- Wenn das Gerät beschädigt ist und Sie ein Gasleck feststellen, halten Sie sich bitte vom Gas fern. Gas kann Erfrierungen verursachen, wenn es mit Ihrer Haut in Kontakt kommt. Bevor Sie alte Produkte entsorgen, die nicht mehr verwendet werden sollen:
1. Ziehen Sie den Stecker des Netzkabels aus der Steckdose.
 2. Schneiden Sie das Netzkabel ab und ziehen Sie es zusammen mit dem Stecker aus dem Gerät.
 3. Nehmen Sie die Ablagen und Schubladen nicht aus dem Gerät, um zu verhindern, dass Kinder in das Innere des Geräts gelangen können.
 4. Entfernen Sie die Türen.
 5. Bewahren Sie das Gerät so auf, dass es nicht umgestoßen werden kann.
 6. Erlauben Sie Kindern nicht, mit dem ausrangierten Produkt zu spielen.
- Entsorgen Sie das Gerät nicht, indem Sie es ins Feuer werfen. Es besteht Explosionsgefahr.

- Wenn ein Schloss an der Tür des Geräts vorhanden ist, bewahren Sie den Schlüssel außerhalb der Reichweite von Kindern auf.

1.7 Sicherheit bei der Lagerung von Lebensmitteln

Bitte beachten Sie die folgenden Warnhinweise, um den Verderb von Lebensmitteln zu vermeiden:

- Wenn Sie die Türen längere Zeit offen stehen lassen, kann die Temperatur im Inneren des Geräts ansteigen.
- Reinigen Sie regelmäßig die zugänglichen Abflusssysteme, die mit den Lebensmitteln in Berührung kommen.
- Reinigen Sie Wassertanks, die 48 Stunden lang nicht benutzt wurden, und Wasserversorgungssysteme, die mehr als 5 Tage lang nicht benutzt wurden.
- Lagern Sie rohe Fleisch- und Fischprodukte in geeigneten Fächern innerhalb des Produkts. So tropft es nicht auf andere Lebensmittel und kommt nicht mit ihnen in Berührung.

- Zwei-Sterne-Gefrierfächer werden für die Lagerung von vorgefüllten Lebensmitteln, die Herstellung und Lagerung von Eis und Speiseeis verwendet.
- Ein-, Zwei- und Drei-Sterne-Fächer sind nicht zum Einfrieren frischer Lebensmittel geeignet.
- Wenn das Gefrierschrank längere Zeit nicht benutzt wurde, schalten Sie es aus, tauen Sie es ab, reinigen und trocknen Sie es, um das Gehäuse des Geräts zu schützen.

1.8 Wartungs- und Reinigungssicherheit

- Ziehen Sie den Netzstecker des Kühlschranks, bevor Sie ihn reinigen oder Wartungsarbeiten durchführen.
- Ziehen Sie nicht am Türgriff, wenn Sie das Gerät zu Reinigungszwecken bewegen müssen. Ein zu starkes Ziehen am Griff kann zu Verletzungen führen.
- Halten Sie Ihre Hände usw. nicht unter den Kühlschrank. Es kann zu einem Einklemmen kommen oder scharfe Kanten können Verletzungen verursachen.
- Reinigen Sie das Gerät nicht, indem Sie Wasser auf das Gerät und in das Innere des Ge-

räts sprühen oder gießen. Es besteht Stromschlag- und Brandgefahr.

- Verwenden Sie zum Reinigen des Produkts keine scharfen und scheuernden Werkzeuge oder Haushaltsreiniger, Waschmittel, Gas, Benzin, Verdüner, Alkohol, Lacke und ähnliche Substanzen. Verwenden Sie nur Reinigungs- und Pflegemittel, die für die Lebensmittel im Inneren des Geräts unschädlich sind.
- Verwenden Sie zur Reinigung des Geräts und zum Auftauen des Eises im Inneren niemals Dampf oder dampfhaltige Reinigungsmittel. Dampf kommt mit den stromführenden Teilen Ihres Kühlschranks in Berührung und kann einen Kurzschluss oder Stromschlag verursachen.
- Achten Sie darauf, dass Wasser nicht in die Nähe der Lüftungsöffnungen, der elektronischen Schaltkreise oder der Beleuchtung des Geräts gelangt.
- Verwenden Sie ein sauberes, trockenes Tuch, um Staub oder Fremdkörper an den Steckerspitzen abzuwischen. Verwenden Sie kein nasses oder feuchtes Tuch, um den Stecker

zu reinigen. Andernfalls besteht die Gefahr eines Brands oder Stromschlags.



1.9 Entsorgung des alten Produkts

Befolgen Sie bei der Entsorgung Ihres alten Produkts die nachstehenden Anweisungen:

- Um zu verhindern, dass sich Kinder versehentlich im Gerät einschließen, deaktivieren Sie die Türverriegelung, falls sie vorhanden ist.
- Spritzer von Kühlmittel sind schädlich für die Augen. Beschädigen Sie beim Entsorgen des Geräts keine Teile des Kühlsystems.
- Es kann tödlich sein, wenn das Kompressoröl verschluckt wird oder in die Atemwege eindringt.
- Das Kühlsystem Ihres Produkts enthält R600a-Gas, wie auf dem Typenschild angegeben. Das Gas ist entflammbar. Entsorgen Sie das Gerät nicht, indem Sie es ins Feuer werfen. Es besteht Explosionsgefahr!
- C-Pentan wird als Treibmittel in Isolierschaum verwendet und ist ein brennbarer Stoff. Entsorgen Sie das Gerät nicht, indem Sie es ins Feuer werfen.

2 Umwelthinweise

2.1 Informationen zur Entsorgung:



Ihre Pflichten als Endnutzer

Dieses Elektro- bzw. Elektronikgerät ist mit einer durchgestrichenen Abfalltonne auf Rädern gekennzeichnet. Das Gerät darf deshalb nur getrennt vom un-

sortierten Siedlungsabfall gesammelt und zurückgenommen werden. Es darf somit nicht in den Hausmüll gegeben werden. Das Gerät kann z.B. bei einer kommunalen Sammelstelle oder ggf. bei einem Vertreiber (siehe unten zu deren Rücknahmepflichten in Deutschland) abgegeben werden.

Das gilt auch für alle Bauteile, Unterbaugruppen und Verbrauchsmaterialien des zu entsorgenden Altgeräts.

Bevor das Altgerät entsorgt werden darf, müssen alle Altbatterien und Altakkumulatoren vom Altgerät getrennt werden, die nicht vom Altgerät umschlossen sind. Das gleiche gilt für Lampen, die zerstörungsfrei aus dem Altgerät entnommen werden können. Der Endnutzer ist zudem selbst dafür verantwortlich, personenbezogene Daten auf dem Altgerät zu löschen.



Hinweise zum Recycling

Helfen Sie mit, alle Materialien zu recyceln, die mit diesem Symbol gekennzeichnet sind. Entsorgen Sie solche Materialien, insbesondere Verpackungen, nicht im Hausmüll, sondern über die bereitgestellten Recyclingbehälter oder die entsprechenden örtlichen Sammelsysteme. Recyceln Sie zum Umwelt- und Gesundheitsschutz elektrische und elektronische Geräte.

Rücknahmepflichten der Verreiber

Wer auf mindestens 400 m² Verkaufsfläche Elektro- und Elektronikgeräte vertreibt oder diese gewerblich an Endnutzer abgibt, ist verpflichtet, bei Abgabe eines neuen Gerä-

tes, ein Altgerät des Endnutzers der gleichen Geräteart, das im Wesentlichen die gleichen Funktionen wie das neue Gerät erfüllt, am Ort der Abgabe oder in unmittelbarer Nähe, unentgeltlich zurückzunehmen. Das gilt auch für Verreiber von Lebensmitteln mit einer Gesamtverkaufsfläche von mindestens 800 m², die mehrmals im Kalenderjahr oder dauerhaft Elektro- und Elektronikgeräte anbieten und auf dem Markt bereitstellen. Solche Verreiber müssen zudem auf Verlangen des Endnutzers Altgeräte, die in keiner äußeren Abmessung größer als 25 cm sind, (kleine Elektrogeräte) im Einzelhandelsgeschäft oder in unmittelbarer Nähe hierzu unentgeltlich zurückzunehmen; die Rücknahme darf in diesem Fall nicht an den Kauf eines Elektro- oder Elektronikgerätes verknüpft, kann aber auf drei Altgeräte pro Geräteart beschränkt werden. Ort der Abgabe ist auch der private Haushalt, wenn das neue Elektro- oder Elektronikgerät dorthin geliefert wird; in diesem Fall ist die Abholung des Altgerätes für den Endnutzer kostenlos.

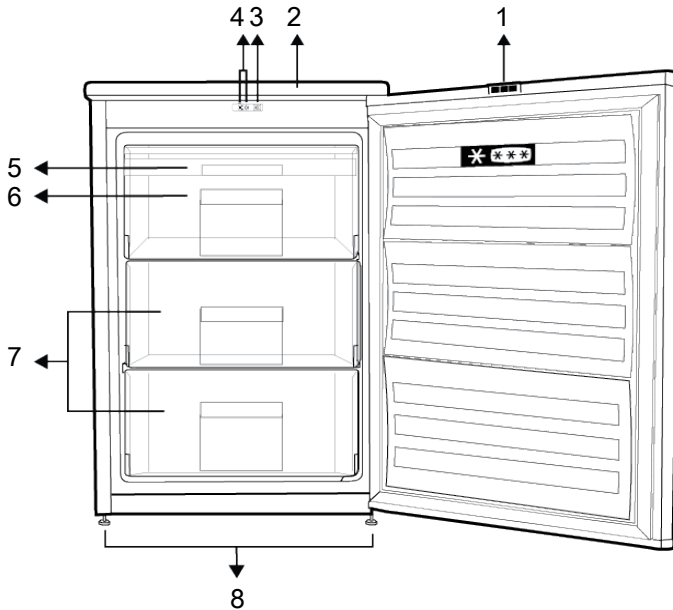
Die vorstehenden Pflichten gelten auch für den Vertrieb unter Verwendung von Fernkommunikationsmitteln, wenn die Verreiber Lager- und Versandflächen für Elektro- und Elektronikgeräte bzw. Gesamtlager und Versandflächen für Lebensmittel beinhalten, die den oben genannten Verkaufsflächen entsprechen. Die unentgeltliche Abholung von Elektro- und Elektronikgeräten ist dann aber auf Wärmeüberträger (z.B. Kühlschrank), Bildschirme, Monitore und Geräte, die Bildschirme mit einer Oberfläche von mehr als 100 cm² enthalten und Geräte beschränkt, bei denen mindestens eine der äußeren Abmessungen mehr als 50 cm beträgt. Für alle übrigen Elektro- und Elektronikgeräte muss der Verreiber geeignete Rückgabemöglichkeiten in zumutbarer Entfernung zum jeweiligen Endnutzer gewährleisten; das gilt auch für kleine Elektrogeräte (s.o.), die der Endnutzer zurückgeben möchte, ohne ein neues Gerät zu erwerben.

Einhaltung der RoHS-Richtlinie:

Das von Ihnen gekaufte Gerät entspricht der RoHS-Richtlinie der EU (2011/65/EU). Es enthält keinerlei Materialien, die gemäß der Richtlinie als schädlich oder verboten gelten.

DE

3 Ihr Gefrierschrank



- | | |
|--------------------|----------------------|
| 1 Beleuchtung | 2 Oberes Fach |
| 3 Kontrollleuchten | 4 Thermostatschalter |
| 5 Eisfach | 6 Schnellgefrierfach |
| 7 Tiefkühlfächer | 8 Verstellbare Füße |

***Optional:** Die Abbildungen in dieser Bedienungsanleitung sind schematisch und stimmen möglicherweise nicht genau mit Ihrem

Produkt überein. Wenn Ihr Produkt nicht die relevanten Teile enthält, beziehen sich die Informationen auf andere Modelle.

4 Aufstellung



Lesen Sie zuerst den Abschnitt „Sicherheitshinweise“!

4.1 Richtiger Ort für die Installation

Wenden Sie sich für die Montage des Geräts an den autorisierten Kundendienst. Um das Gerät für die Installation vorzubereiten,

lesen Sie die Informationen in der Bedienungsanleitung und stellen Sie sicher, dass die Strom- und Wasserleitungen den Anforderungen entsprechen. Wenn dies nicht der Fall ist, wenden Sie sich an einen Elektriker und einen Monteur, um die Versorgungsleitungen entsprechend zu installieren.



WARNUNG:

Der Hersteller haftet nicht für alle Schäden, die entstehen, wenn diese Arbeiten von nicht dazu befugten Personen aufgeführt werden.



WARNUNG:

Während der Aufstellung muss der Geräternetzstecker gezogen sein. Bei Nichtbeachtung können Tod oder schwere Verletzungen die Folge sein!



WARNUNG:

Sollte die Eingangsöffnung am Aufstellungsort zu schmal für das Gerät sein, bauen Sie die Gerätetür ab und drehen Sie das Gerät auf die Seite. Wenden Sie sich an den zuständigen Kundendienst, wenn sich das Problem so nicht lösen lässt.

- Stellen Sie das Gerät auf eine ebene Fläche, um Vibrationen zu vermeiden.
- Stellen Sie das Produkt mindestens 30 cm von Heizung, Herd und ähnlichen Wärmequellen und mindestens 5 cm von Elektroöfen entfernt auf.
- Setzen Sie das Produkt keinem direkten Sonnenlicht aus und bewahren Sie es nicht in feuchten Umgebungen auf.
- Prüfen Sie, ob die Rückwand-Abstandsschutzkomponente an ihrem Standort vorhanden ist (falls mit dem Produkt geliefert).

4.2 Elektrischer Anschluss



Verwenden Sie für den Anschluss an des Stromnetz keine Verlängerungskabel oder Mehrfachsteckdosen.



Ein beschädigtes Kabel darf nur vom autorisierten Kundendienst ausgetauscht werden.



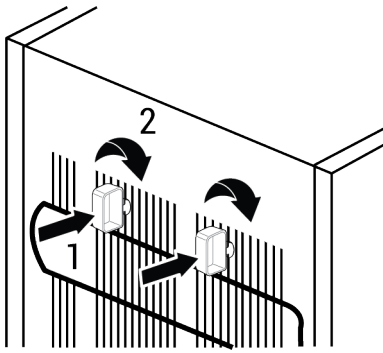
Wenn Sie zwei Kühlschränke nebeneinander aufstellen, müssen Sie einen Mindestabstand von wenigstens 4 cm zwischen beiden Geräten einhalten.

- Unser Unternehmen übernimmt keine Haftung für alle Schäden aufgrund einer Nutzung ohne Erdung oder eines Stromanschlusses, der nicht den örtlichen Vorschriften genügt.
- Das Netzkabel muss nach der Aufstellung gut zugänglich sein.
- Verwenden Sie keinen Mehrfachstecker mit oder ohne Verlängerungskabel zwischen der Steckdose und dem Kühlschrank.

4.3 Anbringen der Kunststoffkeile

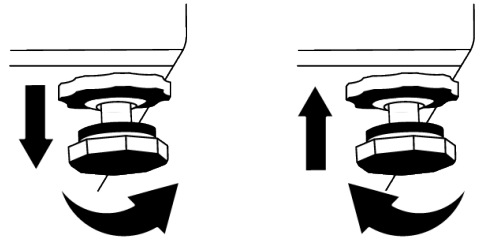
Verwenden Sie die mit dem Gerät gelieferten Kunststoffkeile, um ausreichend Platz für die Luftzirkulation zwischen dem Gerät und der Wand zu schaffen. Montieren Sie 2 Kunststoffkeile wie in der folgenden Abbildung gezeigt.

(Das angegebene Bild ist repräsentativ gezeichnet, es entspricht nicht vollständig Ihrem Produkt.)



4.4 Einstellen der FüÙe

Wenn sich das Gerät nicht im Gleichgewicht befindet, stellen Sie die vorderen verstellbaren FüÙe ein, indem Sie sie nach rechts oder links drehen.



DE

4.5 Warnung vor heißer Oberfläche!

Die Seitenwände Ihres Produkts sind mit Kühlerrohren ausgestattet, um das Kühlsystem zu verbessern. Hochdruckflüssigkeit kann durch diese Oberflächen fließen und heiÙe Oberflächen an den Seitenwänden verursachen. Dies ist normal und erfordert keine Wartung. Seien Sie vorsichtig, wenn Sie diese Bereiche kontaktieren.

5 Vorbereitung



Lesen Sie zuerst den Abschnitt „Sicherheitshinweise“!

5.1 Was man zum Energiesparen tun kann



Der Anschluss des Produkts an elektronische Energiesparsysteme ist schädlich, da er das Produkt beschädigen kann.

- Dieses Kühlgerät ist nicht für die Verwendung als Einbaugerät vorgesehen
- Lassen Sie die Kühschranktür nicht über längere Zeit hinweg offen.
- Stellen Sie keine heißen Speisen oder Getränke in den Kühschrank.
- Überfüllen Sie den Kühschrank nicht. Ein Blockieren der inneren Luftzirkulation verringert die Kühlleistung.
- Da heiÙe und feuchte Luft nicht direkt in Ihr Produkt eindringt, wenn die Türen nicht geöffnet werden, optimiert sich Ihr Produkt unter Bedingungen, die zum Schutz Ihrer Lebensmittel ausreichen. Unter diesen Umständen arbeiten Funktionen und Komponenten wie Kompres-

sor, Lüfter, Heizung, Abtaugung, Beleuchtung, Display usw. bedarfsgerecht und mit minimalem Energieverbrauch.

- Falls mehrere Optionen vorhanden sind, müssen Glasböden so platziert werden, dass die Luftauslässe an der Rückwand nicht blockiert werden und vorzugsweise so, dass die Luftauslässe unterhalb des Glasbodens bleiben. Diese Kombination kann dazu beitragen, die Luftverteilung und die Energieeffizienz zu verbessern.
- Es wird dringend empfohlen, bei der Lagerung die untere Schublade zu verwenden.
- Lebensmittel sind in den Schubladen im Kühlfach aufzubewahren, um Energie zu sparen und Lebensmittel unter besseren Bedingungen zu schützen.

5.2 Erste Verwendung

Bevor Sie den Kühschrank das erste Mal verwenden, achten Sie darauf, alle Vorbereitungen gemäß dieser Bedienungsanleitung, insbesondere wie in den Abschnitten „Wich-

tige Hinweise zur Sicherheit und zum Umweltschutz“ und „Aufstellung“ beschrieben, durchzuführen.

- Lassen Sie das leere Gerät mindesten 6 lang laufen und öffnen Sie dabei nicht Tür, sofern es nicht absolut notwendig sein sollte.
- Die Temperaturänderung, die durch das Öffnen und Schließen der Tür während der Verwendung des Produkts verursacht wird, kann normalerweise zu Kondenswasserbildung führen, die auf Tür-/Korpusregalen und Glaswaren in das Produkt gestellt werden.



Wenn der Kompressor sich einschaltet, ist ein Geräusch zu hören. Es ist normal, dass das Produkt Geräusche macht, auch wenn der Kompressor nicht läuft, da im Kühlsystem Flüssigkeit und Gas komprimiert werden können.



Es ist normal, dass die vorderen Ränder des Kühlschranks warm sind. Diese sind so gestaltet, dass sie erwärmen, um Kondensation zu vermeiden.



Bei einigen Modellen schaltet sich die Anzeigetafel 1 Minuten nach dem Schließen der Tür automatisch aus. Sie wird wieder aktiviert, wenn die Tür offen ist oder eine beliebige Taste gedrückt wird.

5.3 Klimaklasse und Definitionen

Bitte beachten Sie die Klimaklasse auf dem Typenschild Ihres Geräts. Je nach Klimaklasse ist eine der folgenden Informationen auf Ihr Gerät anwendbar.

- **SN** Langfristig gemäßigtes Klima: Dieses Kühlgerät ist für den Einsatz bei Umgebungstemperaturen zwischen 10 °C und 32 °C ausgelegt.
- **N**: Gemäßigtes Klima: Dieses Kühlgerät ist für den Einsatz bei Umgebungstemperaturen zwischen 16°C und 32 °C ausgelegt.
- **ST**: Subtropisches Klima: Dieses Kühlgerät ist für den Einsatz bei Umgebungstemperaturen zwischen 16°C und 38°C ausgelegt.
- **T**: Tropisches Klima: Dieses Kühlgerät ist für den Einsatz bei Umgebungstemperaturen zwischen 16°C und 43°C ausgelegt.

6 Produktbedienung



Lesen Sie zuerst den Abschnitt „Sicherheitshinweise“!

- Verwenden Sie keine mechanischen Werkzeuge oder andere Werkzeuge als die Empfehlungen des Herstellers, um den Auftauvorgang zu beschleunigen.
- Nutzen Sie Teile des Kühlschranks, wie z.B. die Tür oder die Schubladen nicht als Unterstüzung oder als Trittbrett. Dies kann dazu führen, dass das Produkt umkippt oder seine Komponenten beschädigt werden.
- Das Gerät darf nur zur Aufbewahrung von Lebensmitteln verwendet werden.

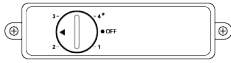
- Schalten Sie das Wasserventil aus, wenn Sie nicht zu Hause sind (z.B. im Urlaub) und die Eismaschine oder den Wasserspender längere Zeit nicht benutzen. Andernfalls können Wasserlecks auftreten.

Pausieren des Programms

- Wenn Sie das Gerät für längere Zeit nicht benutzen, ziehen Sie den Stecker aus der Steckdose.
- Entfernen Sie die Lebensmittel, um Gerüche zu vermeiden.
- Warten Sie, bis das Eis geschmolzen ist, reinigen Sie den Innenraum und lassen Sie ihn trocknen; lassen Sie die Türen offen, um eine Beschädigung der inneren Kunststoffteile zu vermeiden.

7 Verwendung des Geräts

7.1 Einstellung der Betriebstemperatur



Die Betriebstemperatur wird über den Temperaturregler eingestellt.

1=Niedrigste Kühleinstellung (wärmste Einstellung)

4=Höchste Kühleinstellung (kälteste Einstellung)

(oder)

Min. = Minimale Kühleinstellung (wärmste Einstellung)

Max. = Maximale Kühleinstellung (kälteste Einstellung)

Bitte wählen Sie eine Einstellung, die der gewünschten Temperatur entspricht.

Die Innentemperatur hängt auch von der Umgebungstemperatur, der Häufigkeit, mit der die Tür geöffnet wird, und der Menge der darin gelagerten Lebensmittel ab.

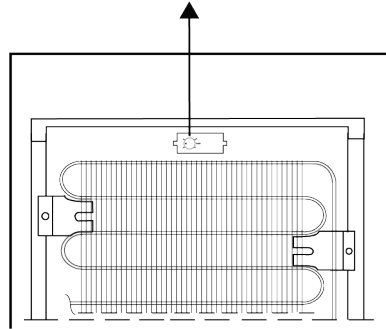
Häufiges Öffnen der Tür lässt die Innentemperatur ansteigen.

Es wird daher empfohlen, die Tür nach der Benutzung so schnell wie möglich zu schließen.

Die normale Lagertemperatur Ihres Einheit sollte -18°C (0°F) betragen. Wenn der Thermostatknopf von Position 1 aus gegen den Uhrzeigersinn gedreht wird, schaltet sich das Gerät aus und es ertönt ein "Klick". Niedrigere Temperaturen können erreicht werden, indem der Thermostatknopf in Richtung Position 4 bewegt wird.

Wir empfehlen Ihnen, die Temperatur mit einem Thermometer zu überprüfen, um sicherzustellen, dass die Lagerfächer auf der gewünschten Temperatur ist.

Denken Sie daran, die Temperatur sofort nach der Entnahme aus dem Gefrierfach abzulesen, da die Temperatur des Thermometers sehr schnell ansteigt.



Der Thermostat befindet sich an der Rückwand des Schrankes (siehe Abbildung oben) und wird mit dem Thermostatknopf bedient.

7.2 Freezing Fresh Foods

- Lebensmittel, die eingefroren werden sollen, müssen entsprechend der zu verzehrenden Größe in Portionen aufgeteilt und in separaten Verpackungen eingefroren werden. Auf diese Weise sollte verhindert werden, dass alle Lebensmittel durch Auftauen wieder eingefroren werden.
- Um den Nährwert, das Aroma und die Farbe der Lebensmittel so gut wie möglich zu schützen, sollte das Gemüse vor dem Einfrieren kurz gekocht werden. (Für Lebensmittel wie Gurken, Petersilien ist kein Kochen erforderlich.) Die Garzeit des auf diese Weise gefrorenen Gemüses verkürzt sich um 1/3 gegenüber der des frischen Gemüses.
- Um die Lagerzeiten von Tiefkühlkost zu verlängern, muss gekochtes Gemüse zuerst gefiltert und dann wie bei allen Arten von Lebensmitteln hermetisch verpackt werden.
- Lebensmittel sollten nicht ohne Verpackung in das Gefrierfach gestellt werden.
- Das Verpackungsmaterial der zu lagern den Lebensmittel sollte luftdicht, dick und haltbar sein und sich nicht durch Kälte und Feuchtigkeit verformen. Andernfalls können die durch Einfrieren gehärteten Lebensmittel die Verpackung durch-

bohren. Das gute Verschließen der Verpackung ist auch wichtig, um die Lebensmittel sicher zu lagern.

Die folgenden Verpackungsarten sind zum Einfrieren von Lebensmitteln geeignet:

Polyethylenbeutel, Aluminiumfolie, Kunststofffolie, Vakuumbbeutel und kältebeständige Vorratsbehälter mit Verschlüssen.

Die Verwendung der folgenden Verpackungsarten wird zum Einfrieren von Lebensmitteln nicht empfohlen:

Verpackungspapier, Pergamentpapier, Zellophan (Gelatinepapier), Müllsack, gebrauchte Taschen und Einkaufstüten.

- Warme Speisen sollten nicht ohne Kühlung in das Gefrierfach gestellt werden.
- Wenn Sie nicht gefrorene frische Lebensmittel in das Gefrierfach legen, beachten Sie bitte, dass es nicht mit gefrorenen Lebensmitteln in Kontakt kommt. Das Cool-Pack (PCM) kann direkt unter dem Schnellgefriergerüst in das Gestell gestellt werden, um zu verhindern, dass es warm wird.
- Stellen Sie während der Gefrierzeit (24 Stunden) keine anderen Lebensmittel in den Gefrierschrank.
- Stellen Sie Ihre Lebensmittel in die Gefrierregale oder Gestelle, indem Sie sie so verteilen, dass sie nicht geengt werden (es wird empfohlen, dass die Verpackung nicht miteinander in Kontakt kommt).
- Tiefkühlkost muss sofort nach dem Auftauen in kurzer Zeit verzehrt werden und darf nie wieder eingefroren werden.
- Blockieren Sie die Belüftungsöffnungen nicht, indem Sie Ihre Tiefkühlkost vor die Belüftungsöffnungen auf der Rückseite stellen.
- Wir empfehlen Ihnen, ein Etikett auf der Verpackung anzubringen und den Namen der Lebensmittel in der Verpackung sowie die Gefrierzeit anzugeben.

Zum Einfrieren geeignete Lebensmittel:

Fisch und Meeresfrüchte, rotes und weißes Fleisch, Geflügel, Gemüse, Obst, Kräutergewürze, Milchprodukte (wie Käse, Butter und

Joghurt), Gebäck, Fertiggerichte oder gekochte Mahlzeiten, Kartoffelgerichte, Souffle und Desserts.

Lebensmittel, die nicht zum Einfrieren geeignet sind:

Joghurt, Sauermilch, Sahne, Mayonnaise, Blattsalat, roter Rettich, Trauben, alle Früchte (wie Apfel, Birnen und Pfirsiche).

- Damit Lebensmittel schnell und gründlich eingefroren werden können, sollten die folgenden angegebenen Mengen pro Packung nicht überschritten werden.
 - Früchte und Gemüse, 0,5-1 kg
 - Fleisch, 1-1,5 kg
- Eine kleine Menge von Lebensmitteln (maximal 2 kg) kann auch ohne Verwendung der Schnellgefrierfunktion eingefroren werden.

Um das beste Ergebnis zu erzielen, wenden Sie die folgenden Anweisungen an:

1. Activate the quick freezing function 24 hours before placing your fresh foods.
2. 24 hours after you have pressed the button, first place your food that you want to freeze to the top shelf with higher freezing capacity. Place your remaining food, if any, to the rightmost part of the second shelf.
3. The quick freezing function will be automatically deactivated after 52 hours.
4. Do not try to freeze a large quantity of food at a time. Within 24 hours, this product can freeze the maximum food quantity specified as «Freezing Capacity ... kg/24 hours» on its type label. It is not convenient to put more unfrozen/fresh foods to the freezer compartment than the quantity specified on the label.
 1. Schalten Sie den Einstellknopf 24 Stunden vor dem Einlegen Ihrer frischen Lebensmittel in die Position MAX.
 2. Stellen Sie Ihre Lebensmittel, die Sie einfrieren möchten, 24 Stunden nach dem Drehen des Thermostatknopfs in die oberste Schublade (hohe Gefrierkapazität).

3. Vergessen Sie nicht, den Thermostatknopf nach dem Einlegen der Lebensmittel in die vorherige Position zu drehen.
 4. Versuchen Sie nicht, eine große Menge an Lebensmitteln auf einmal einzufrieren. Dieses Produkt ist in der Lage, die auf dem Etikett unter "Gefrierkapazität ... kg/24 Stunden" angegebene maximale Menge an Lebensmitteln innerhalb von 24 Stunden einzufrieren. Es ist nicht geeignet, mehr gefrorene/frische Lebensmittel als die auf dem Etikett angegebene Menge in das Gefrierfach zu legen.
- Sie können die Tabellen Fleisch und Fisch, Gemüse und Obst, Milchprodukte lesen, um Ihre Lebensmittel in der Tiefkühltruhe einzulegen und zu lagern.

Hinweise zur Lagerung von Tiefkühlkost

- Stellen Sie beim Kauf Ihrer Tiefkühlkost sicher, dass diese bei angemessenen Temperaturen eingefroren sind und ihre Verpackungen nicht beschädigt sind.
- Legen Sie die Pakete so bald wie möglich nach dem Kauf in das Gefrierfach.
- Stellen Sie sicher, dass das auf der Verpackung angegebene Verfallsdatum nicht abgelaufen ist, bevor Sie die verpackten Fertiggerichte verzehren, die Sie aus dem Gefrierfach nehmen.

Abtauen

Das Eis in den Gefrierfächern wird automatisch aufgetaut.

Gefrierschrank Details

Die Norm EN 62552 verlangt (unter bestimmten Messbedingungen), dass mindestens 4,5 kg Lebensmittel pro 100 Liter

Gefrierfachvolumen bei 25 °C Umgebungstemperatur in 24 Stunden eingefroren werden können.

Auftauen der gefrorenen Lebensmittel

Abhängig von der Lebensmittelvielfalt und dem Verwendungszweck kann zwischen folgenden Auftaumöglichkeiten gewählt werden:

- Bei Raumtemperatur (es ist nicht sehr geeignet, das Lebensmittel aufzutauen, indem es lange Zeit bei Raumtemperatur belassen wird, um die Lebensmittelqualität zu erhalten)
- Im Kühlschrank
- Im Elektrofen (bei Modellen mit oder ohne Lüfter)
- In der Mikrowelle

VORSICHT!

- Geben Sie niemals saure Getränke in Glasflaschen und Dosen in Ihren Gefrierschrank, da Platzgefahr besteht.
- Wenn die Verpackung von Tiefkühlkost Feuchtigkeit und abnormale Schwellungen aufweist, ist es wahrscheinlich, dass sie zuvor in einem unsachgemäßen Lagerungszustand gelagert wurden und sich ihr Inhalt verschlechtert hat. Verbrauchen Sie diese Lebensmittel nicht ohne Überprüfung.
- Da sich der Geschmack mancher Gewürze in gekochten Gerichten bei längerer Lagerung verändern kann, sollten Sie Ihren einzufrierenden Lebensmitteln weniger Gewürze zufügen oder die gewünschten Gewürze erst nach dem Auftauen zu den Lebensmitteln geben.

Gefrierfach Einstellung	Bemerkungen
1,2	Das ist die standardmäßige, empfohlene Einstellung.
3	Diese Einstellungen werden für Umgebungstemperaturen empfohlen, die 30°C überschreiten. Verwenden Sie diese Einstellungen, wenn Sie überzeugt sind, dass das Frischfach, aufgrund der Umgebungstemperatur oder dem Öffnen der Tür nicht kalt genug sind.
Schnelleinfrieren (*MAX oder 4)	Verwenden Sie sie, wenn Sie Ihre Lebensmittel in kurzer Zeit einfrieren möchten. Es wird empfohlen, angewendet zu werden, um die Qualität Ihrer frischen Lebensmittel zu erhalten. Sie brauchen die Schnellgefrierfunktion nicht zu verwenden, wenn Sie gefrorene Lebensmittel aufbewahren und kleine Mengen frischer Lebensmittel bis zu 2 kg pro Tag einfrieren möchten.

Fleisch und Fisch		Vorbereitung	Längste Lagerzeit (Monat)	
Fleischprodukte	Kalb	Steak	Schneiden Sie sie 2 cm dick und legen Sie Folie dazwischen oder wickeln Sie sie fest mit Stretch ein	6-8
		Rösten	Packen Sie die Fleischstücke in einen Kühlschrankbeutel oder wickeln Sie sie fest mit Stretch ein	6-8
		Würfel	In kleinen Stücken	6-8
		Schnitzel, Koteletts	Indem Sie Folie zwischen geschnittene Scheiben legen oder einzeln mit Stretch einwickeln	6-8
	Hammelfleisch	Koteletts	Indem Sie Folie zwischen Fleischstücken legen oder einzeln mit Stretch einwickeln	4-8
		Rösten	Packen Sie die Fleischstücke in einen Kühlschrankbeutel oder wickeln Sie sie fest mit Stretch ein	4-8
		Würfel	Packen Sie das zerkleinerte Fleisch in einen Kühlschrankbeutel oder wickeln Sie sie fest mit Stretch ein	4-8
	Rindfleisch	Rösten	Packen Sie die Fleischstücke in einen Kühlschrankbeutel oder wickeln Sie sie fest mit Stretch ein	8-12
		Steak	Schneiden Sie sie 2 cm dick und legen Sie Folie dazwischen oder wickeln Sie sie fest mit Stretch ein	8-12
		Würfel	In kleinen Stücken	8-12
		Gekochtes Fleisch	Durch Verpacken in kleinen Stücken in einem Kühlschrankbeutel	8-12
	Hackfleisch		Ohne Gewürze in flachen Beuteln	1-3
	Innereien (Stück)		In Stücken	1-3
	Fermentierte Wurst - Salami		Es sollte auch dann verpackt sein, wenn es ein Gehäuse hat.	1-3
	Schinken		Durch Platzieren von Folie zwischen geschnittenen Scheiben	2-3
	Geflügel und Jagdtiere	Huhn und Pute		Durch Einwickeln in Folie
Gans		Durch Einwickeln in Folie (Portionen sollten 2,5 kg nicht überschreiten)	4-6	
Ente		Durch Einwickeln in Folie (Portionen sollten 2,5 kg nicht überschreiten)	4-6	
Hirsch, Kaninchen, Reh		Durch Einwickeln in Folie (Portionen sollten 2,5 kg nicht überschreiten und ihre Knochen sollten getrennt werden)	6-8	

Fleisch und Fisch		Vorbereitung	Längste Lagerzeit (Monat)
Fisch und Meeresfrüchte	Süßwasserfische (Forelle, Karpfen, Kranich, Wels)	Nach gründlicher Reinigung der Innenseite und der Schuppen sollten diese gewaschen und getrocknet werden, und die Schwanz- und Kopfteile sollten bei Bedarf geschnitten werden.	2
	Magerer Fisch (Wolfsbarsch, Steinbutt, Seezunge)		4-6
	Fetthaltiger Fisch (Bonito, Makrele, Bluefish, Rotbarbe, Sardelle)		2-4
	Schaltiere	Gereinigt und in Säcken	4-6
	Kaviar	In seiner Verpackung in einem Aluminium- oder Kunststoffbehälter	2-3

Obst und Gemüse	Vorbereitung	Längste Lagerzeit (Monat)
Bohnen und Stangenbohnen	Durch Schock kochen für 3 Minuten nach dem Waschen und Schneiden in kleine Stücke	10-13
Grüne Erbse	Durch Schock kochen für 2 Minuten nach dem Schälen und Waschen	10-12
Kohl	Durch Schock 1-2 Minuten nach dem Reinigen kochen	6-8
Karotte	Durch Schock 3-4 Minuten kochen lassen, nachdem gereinigt und in Scheiben geschnitten wurde	12
Pfeffer	Nach dem Schneiden des Stiels 2-3 Minuten kochen lassen, in zwei Teile teilen und die Samen trennen	8-10
Spinat	Nach dem Waschen und Reinigen 2 Minuten lang unter Schock kochen	6-9
Lauch	Durch Schock 5 Minuten nach dem Zerhacken kochen	6-8
Blumenkohl	Durch Schock in etwas Zitronenwasser für 3-5 Minuten kochen, nachdem die Blätter getrennt wurden, den Kern in Stücke schneiden	10-12
Auberginen	Nach dem Waschen und Schneiden in 2 cm große Stücke 4 Minuten lang unter Schock kochen	10-12
Kürbis	Durch Schock kochen für 2-3 Minuten nach dem Waschen und Schneiden in 2 cm Stücke	8-10
Pilz	Durch leichtes Anbraten in Öl und Auspressen von Zitrone darauf	2-3
Mais	Durch Reinigen und Verpacken in Kolben oder Granulat	12
Apfel und Birne	Durch Schock kochen für 2-3 Minuten nach dem Schälen und Schneiden	8-10
Aprikose und Pfirsich	In zwei Hälften teilen und die Samen extrahieren	4-6
Erdbeere und Himbeere	Durch Waschen und Schälen	8-12
Gebackene Früchte	Durch Zugabe von 10% Zucker in den Behälter	12
Pflaume, Kirsche, Sauerkirsche	Durch Waschen und Schälen der Stiele	8-12

Milchprodukte	Vorbereitung	Längste Lagerzeit (Monat)	Lagerbedingungen
Käse (außer Feta-Käse)	Durch Platzieren von Folie zwischen geschnittenen Scheiben	6-8	Es kann zur kurzfristigen Lagerung in der Originalverpackung aufbewahrt werden. Zur Langzeitlagerung sollte es auch in Aluminium- oder Kunststoffolie eingewickelt werden.
Butter, Margarine	In eigener Verpackung	6	In eigener Verpackung oder in Plastikbehältern

8 Wartung und Reinigung



WARNUNG:

Lesen Sie zuerst den Abschnitt „Sicherheitshinweise“!



WARNUNG:

Ziehen Sie den Netzstecker bevor Sie das Kühlschrankschrank reinigen.

- Verwenden Sie zum Reinigen des Produkts keine scharfen oder scheuernden Werkzeuge. Verwenden Sie keine Materialien wie Haushaltsreiniger, Seifen, Reinigungsmittel, Gas, Benzin, Verdünnern, Alkohol, Wachs usw.
- Der Staub muss mindestens einmal im Jahr vom Lüftungsgitter auf der Rückseite des Produkts entfernt werden (ohne die Abdeckung zu öffnen). Reinigen Sie das Produkt nur mit einem trockenen Tuch.
- Achten Sie darauf, dass die Abdeckung der Lampen und sonstige Elektroteile nicht mit Wasser in Kontakt kommen.
- Reinigen Sie die Tür nur mit einem feuchten Tuch. Entfernen Sie den gesamten Inhalt, um die Tür- und Gehäuseregale zu entfernen. Entfernen Sie die Türregale, indem Sie sie nach oben heben. Reinigen Sie die Türeinsätze gründlich und setzen Sie sie sodann wieder ein, indem Sie diese nach unten gleiten lassen.
- Verwenden Sie kein chlorhaltiges Wasser bzw. chlorhaltige Reinigungsmittel zur Reinigung der Außenflächen und chrombeschichteten Teile des Geräts. Chlor lässt metallische Oberflächen rosten.
- Verwenden Sie keine scharfen und abrasiven Werkzeuge, Seife, Reinigungsmittel, Gas, Benzin, Lacke und ähnliche Substanzen, um eine Verformung des Kunststoffteils und das Entfernen von Drucken auf dem Teil zu verhindern. Verwenden Sie zum Reinigen warmes Wasser und ein weiches Tuch und trocknen Sie es anschließend ab.
- Bei Produkten ohne Frostschutzfunktion können Wassertropfen und Eisbildung bis zu einer Fingerdicke an der Rückwand des Gefrierfachs auftreten. Nicht reinigen und niemals Öle oder ähnliche Materialien aufragen.
- Verwenden Sie ein leicht angefeuchtetes Mikrofasertuch, um die Außenfläche des Produkts zu reinigen. Schwämme und andere Arten von Reinigungskleidung können Kratzer verursachen.
- Um alle entfernbaren Komponenten während der Reinigung der Innenfläche des Produkts zu reinigen, waschen Sie diese Komponenten mit einer milden Lösung aus Seife, Wasser und Karbonat. Gründlich waschen und trocknen. Kontakt von Wasser mit Beleuchtungskomponenten und dem Bedienfeld verhindern.



VORSICHT:

Verwenden Sie auf keiner Innenfläche Essig, Reinigungsalkohol oder andere Reinigungsmittel auf Alkohobasis.

Außenflächen aus Edelstahl

Verwenden Sie ein nicht scheuerndes Reinigungsmittel aus rostfreiem Stahl und tragen Sie es mit einem weichen, fusselfreien Tuch auf. Wischen Sie zum Polieren die Oberfläche vorsichtig mit einem mit Wasser angefeuchteten Mikrofasertuch ab und verwenden Sie eine trockene Poliergämsse. Folgen Sie immer den Adern des Edelstahls.

Gerüche verhindern

Das Gerät wurde ohne die Verwendung von Geruch erzeugenden Materialien hergestellt. Jedoch kann die unsachgemäße Lagerung von Lebensmitteln wie auch eine unzureichende Reinigung der Innenräume zur Entstehung von Gerüchen führen.

9 Fehlerbehebung

Prüfen Sie diese Liste, bevor Sie sich an den Kundendienst wenden. So sparen Sie Zeit und Geld. Diese Liste enthält häufige Beanstandungen, die nicht auf Verarbeitungs- oder Materialfehler zurückzuführen sind. Bestimmte hier aufgeführte Merkmale treffen möglicherweise nicht auf Ihr Produkt zu.

Der Kühlschrank funktioniert nicht.

- Der Netzstecker ist nicht vollständig eingesteckt. >>> Stecken Sie den Stecker vollständig in die Steckdose.
- Die Sicherung in der Steckdose, die das Produkt mit Strom versorgt, oder die Hauptsicherung ist durchgebrannt. >>> Prüfen Sie die Sicherung.

Kondenswasser an der Seitenwand des Kühlfachs (MULTI ZONE, COOL CONTROL und FLEXI ZONE).

- Die Tür wird zu häufig geöffnet. >>> Achten Sie darauf, die Tür des Geräts nicht zu häufig zu öffnen.
- Die Umgebung ist zu feucht. >>> Stellen Sie das Gerät nicht in feuchten Umgebungen auf.

- Um dies zu vermeiden, sollten Sie den Innenraum mit kohlenstoffhaltigem Wasser alle vierzehn Tage reinigen.
- Bewahren Sie die Lebensmittel in versiegelten Behältern auf, da Mikroorganismen, die von Lebensmitteln in nicht versiegelten Behältern stammen, einen schlechten Geruch verursachen.
- Bewahren Sie keine verdorbenen Lebensmittel bzw. solche mit abgelaufenem Haltbarkeitsdatum im Kühlschrank auf.

Schutz der Kunststoffoberflächen

Auf Kunststoffoberflächen ausgelaufenes Öl kann diese beschädigen. Reinigen Sie daher solche Verschmutzungen unverzüglich.

- Flüssigkeitshaltige Lebensmittel werden in unverschlossenen Behältern aufbewahrt. >>> Bewahren Sie die Lebensmittel, die Flüssigkeiten enthalten, in versiegelten Behältern auf.
- Die Tür des Geräts steht offen. >>> Lassen Sie die Tür des Geräts nicht für längere Zeit offen.
- Der Thermostat ist auf eine sehr kühle Temperatur eingestellt. >>> Stellen Sie den Thermostat auf eine angemessene Temperatur ein.

Der Kompressor funktioniert nicht.

- Bei einem plötzlichen Stromausfall oder wenn der Netzstecker gezogen und wieder eingesteckt wird, ist der Gasdruck im Kühlsystem des Geräts nicht ausgeglichen, wodurch die thermische Sicherung des Kompressors ausgelöst wird. Das Gerät schaltet sich nach etwa 6 Minuten wieder ein. Wenn das Gerät nach diesem Zeitraum nicht wieder anläuft, wenden Sie sich an den Kundendienst.
- Die Abtauung ist aktiv. >>> Dies ist normal für ein vollautomatisches Abtauungsprodukt. Die Abtauung wird regelmäßig durchgeführt.
- Das Gerät ist nicht eingesteckt. >>> Vergewissern Sie sich, dass das Netzkabel eingesteckt ist.

- Die Temperatur ist falsch eingestellt. >>> Wählen Sie die richtige Temperatureinstellung.
- Der Strom ist ausgefallen. >>> Das Gerät arbeitet normal weiter, sobald die Stromversorgung wiederhergestellt ist.

Das Betriebsgeräusch des Kühlschranks nimmt während des Betriebs zu.

- Die Betriebsleistung des Geräts kann je nach den Schwankungen der Umgebungstemperatur variieren. Dies ist normal und stellt keine Fehlfunktion dar.

Der Kühlschrank läuft zu oft oder zu lange.

- Das neue Gerät ist möglicherweise größer als das vorherige. Größere Produkte sind länger in Betrieb.
- Die Raumtemperatur ist möglicherweise zu hoch. >>> Das Gerät läuft normalerweise über längere Zeit bei höherer Raumtemperatur.
- Das Gerät wurde möglicherweise vor kurzem eingesteckt oder es wurde ein neues Lebensmittel hineingelegt. >>> Das Gerät braucht länger, um die eingestellte Temperatur zu erreichen, wenn es kürzlich eingesteckt wurde oder ein neues Lebensmittel hineingelegt wurde. Das ist normal.
- Möglicherweise wurden kürzlich große Mengen heißer Lebensmittel in das Gerät gelegt. >>> Legen Sie keine heißen Lebensmittel in das Gerät.
- Die Türen wurden häufig geöffnet oder für längere Zeit offen gehalten. >>> Die warme Luft, die sich im Inneren bewegt, lässt das Gerät länger laufen. Öffnen Sie die Türen nicht zu häufig.
- Die Tür des Gefrier- oder Kühlgeräts ist möglicherweise angelehnt. >>> Vergewissern Sie sich, dass die Türen vollständig geschlossen sind.
- Das Gerät ist möglicherweise auf eine zu niedrige Temperatur eingestellt. >>> Stellen Sie die Temperatur auf eine höhere Stufe und warten Sie, bis das Produkt die eingestellte Temperatur erreicht hat.

- Die Türdichtung des Kühl- oder Gefrierschranks ist möglicherweise verschmutzt, abgenutzt, kaputt oder nicht richtig eingesetzt. >>> Reinigen oder ersetzen Sie die Dichtung. Eine beschädigte/gerissene Türdichtung führt dazu, dass das Gerät länger laufen muss, um die aktuelle Temperatur zu halten.

Die Temperatur des Gefrierfachs ist sehr niedrig, aber die Temperatur des Kühlfachs ist ausreichend.

- Die Temperatur des Gefrierfachs ist auf eine sehr niedrige Temperatur eingestellt. >>> Stellen Sie die Temperatur des Gefrierfachs auf eine höhere Stufe und prüfen Sie erneut.

Die Temperatur im Kühlfach ist sehr niedrig, aber die Temperatur im Gefrierfach ist ausreichend.

- Die Temperatur des Kühlfachs ist sehr niedrig eingestellt. >>> Stellen Sie die Temperatur des Kühlfachs auf eine höhere Temperatur ein und überprüfen Sie sie erneut.

Die Lebensmittel in den Schubladen des Kühlfachs sind gefroren.

- Die Temperatur des Kühlfachs ist sehr niedrig eingestellt. >>> Stellen Sie die Temperatur des Kühlfachs auf eine höhere Temperatur ein und überprüfen Sie sie erneut.

Die Temperatur im Kühl- oder Gefrierfach ist zu hoch.

- Die Kühlfachtemperatur ist sehr hoch eingestellt. >>> Die Temperatureinstellung des Kühlfachs wirkt sich auf die Temperatur im Gefrierfach aus. Warten Sie, bis die Temperatur der betreffenden Teile ein ausreichendes Niveau erreicht hat, indem Sie die Temperatur der Kühl- oder Gefrierfächer ändern.
- Die Türen wurden häufig geöffnet oder für längere Zeit offen gehalten. >>> Öffnen Sie die Türen nicht zu häufig.
- Die Tür kann angelehnt sein. >>> Schließen Sie die Tür vollständig.

- Das Gerät wurde möglicherweise vor kurzem eingesteckt oder es wurde ein neues Lebensmittel hineingelegt. >>> Das ist normal. Das Gerät braucht länger, um die eingestellte Temperatur zu erreichen, wenn es kürzlich eingesteckt wurde oder ein neues Lebensmittel hineingelegt wurde.
- Möglicherweise wurden kürzlich große Mengen heißer Lebensmittel in das Gerät gelegt. >>> Legen Sie keine heißen Lebensmittel in das Gerät.

Schütteln oder Geräusche.

- Der Untergrund ist nicht eben oder nicht stabil >>> Wenn das Produkt bei langsamer Bewegung wackelt, stellen Sie die Ständer ein, um das Produkt auszubalancieren. Vergewissern Sie sich auch, dass der Boden ausreichend stabil ist, um das Gerät zu tragen.
- Auf dem Gerät abgestellte Gegenstände können Geräusche verursachen. >>> Entfernen Sie alle auf dem Gerät abgestellten Gegenstände.
- Das Gerät macht Geräusche von fließenden Flüssigkeiten, Sprühern usw.
- Die Funktionsweise des Produkts beinhaltet Flüssigkeits- und Gasströme. >>> Dies ist normal und stellt keine Fehlfunktion dar.

Aus dem Gerät kommt ein Windgeräusch.

- Das Produkt verwendet einen Ventilator für den Kühlprozess. Dies ist normal und stellt keine Fehlfunktion dar.

An den Innenwänden des Produkts bildet sich Kondenswasser.

- Heißes oder feuchtes Wetter führt zu verstärkter Vereisung und Kondensation. Dies ist normal und stellt keine Fehlfunktion dar.
- Die Türen wurden häufig geöffnet oder für längere Zeit offen gehalten. >>> Öffnen Sie die Türen nicht zu häufig; wenn sie offen sind, schließen Sie die Tür.
- Die Tür kann angelehnt sein. >>> Schließen Sie die Tür vollständig.

An der Außenseite des Geräts oder zwischen den Türen bildet sich Kondenswasser.

- Die Umgebungsluft kann feucht sein, dies ist bei feuchtem Wetter ganz normal. >>> Das Kondenswasser wird sich auflösen, wenn die Luftfeuchtigkeit reduziert wird.

Der Innenraum riecht schlecht.

- Das Produkt wird nicht regelmäßig gereinigt. >>> Reinigen Sie den Innenraum regelmäßig mit einem Schwamm, warmem Wasser und kohlenstoffhaltigem Wasser.
- Bestimmte Halterungen und Verpackungsmaterialien können Geruch verursachen. >>> Verwenden Sie geruchsneutrale Halterungen und Verpackungsmaterialien.
- Die Lebensmittel wurden in nicht verschlossenen Behältern gelagert. >>> Lagern Sie die Lebensmittel in geschlossenen Behältern. Mikroorganismen können auf unverschlossene Lebensmittel überspringen und unangenehme Gerüche verursachen.
- Entfernen Sie alle abgelaufenen oder verdorbenen Lebensmittel aus dem Gerät.

Die Tür schließt nicht.

- Lebensmittelverpackungen können die Tür blockieren. >>> Entfernen Sie alle Gegenstände, die die Türen blockieren.
- Das Gerät steht nicht ganz aufrecht auf dem Boden. >>> Stellen Sie die Ständer so ein, dass das Gerät im Gleichgewicht ist.
- Die Oberfläche ist nicht eben oder nicht stabil >>> Vergewissern Sie sich, dass die Oberfläche eben und ausreichend stabil ist, um das Produkt zu tragen.

Das Gemüsefach ist eingeklemmt.

- Die Lebensmittel können mit dem oberen Teil der Schublade in Kontakt sein. >>> Ordnen Sie die Lebensmittel in der Schublade neu an.

Temperatur auf der Oberfläche des Produkts.

- Während des Betriebs Ihres Geräts kann zwischen zwei Türen, an den Seitenwänden und im hinteren Grillbereich eine hohe Temperatur festgestellt werden. Dies ist normal und erfordert keine Wartung.

Das Gebläse läuft weiter, wenn die Tür geöffnet wird.

- Das Gebläse kann weiterlaufen, wenn die Gefrierschranktür geöffnet ist.



WARNUNG: Wenn das Problem nach Befolgen der Anweisungen in diesem Abschnitt weiterhin besteht, wenden Sie sich an Ihren Händler oder einen autorisierten Kundendienst. Versuchen Sie nicht, das Gerät zu reparieren. Das ist normal.

HAFTUNGSAUSSCHLUSS / WARNUNG

Einige (einfache) Störungen können vom Endbenutzer in angemessener Weise behoben werden, ohne dass ein Sicherheitsproblem oder eine unsichere Verwendung entsteht, vorausgesetzt, sie werden innerhalb der Grenzen und in Übereinstimmung mit den folgenden Anweisungen durchgeführt (siehe Abschnitt „Selbstreparatur“).

Sofern im Abschnitt „Selbstreparatur“ nicht anders angegeben, müssen Reparaturen von registrierten Fachwerkstätten durchgeführt werden, um Sicherheitsprobleme zu vermeiden. Eine registrierte Fachwerkstatt ist eine Fachwerkstatt, die vom Hersteller gemäß den in den Rechtsakten gemäß der Richtlinie 2009/125/EG beschriebenen Methoden Zugang zu den Anweisungen und der Ersatzteilliste dieses Produkts erhalten hat.

Allerdings kann nur der Kundendienst (d.h. autorisierte Fachwerkstätten), den Sie über die in der Bedienungsanleitung/ Garantiekarte angegebene Telefonnummer oder über Ihren Vertragshändler erreichen können, Leistungen im Rahmen der Garantiebedingungen erbringen. Bitte beachten Sie daher, dass bei Reparaturen durch (die nicht autorisiert sind durch) Beko Fachwerkstätten die Garantie erlischt.

Selbstreparatur

Folgende Ersatzteile können vom Endverbraucher selbst repariert werden: Türgriffe, Türscharniere, Ablagen, Körbe und Türdich-

tungen (eine aktualisierte Liste ist ab dem 1. März 2021 auch unter support.beko.com verfügbar).

Um die Produktsicherheit zu gewährleisten und die Gefahr von schweren Verletzungen zu vermeiden, müssen die genannten Selbstreparaturen gemäß den Anweisungen in der Bedienungsanleitung für Selbstreparaturen oder auf support.beko.com durchgeführt werden. Ziehen Sie zu Ihrer Sicherheit den Netzstecker des Produkts, bevor Sie eine Selbstreparatur durchführen.

Reparatur- und Instandsetzungsversuche durch Endverbraucher für Teile, die nicht in dieser Liste enthalten sind, und/oder die nicht gemäß den Anweisungen in den Benutzerhandbüchern für die Selbstreparatur oder unter support.beko.com durchgeführt werden, können zu Sicherheitsproblemen führen, die nicht von Beko zu verantworten sind, und führen zum Erlöschen der Garantie für das Produkt.

Daher wird den Endnutzern dringend empfohlen, von Reparaturversuchen abzusehen, die nicht in der genannten Ersatzteilliste aufgeführt sind, und sich in solchen Fällen an autorisierte Fachwerkstätten oder registrierte Fachwerkstätten zu wenden. Im Gegenteil, solche Versuche können Sicherheitsprobleme verursachen und das Produkt beschädigen und in der Folge Feuer, Überschwemmungen, Stromschläge und schwere Personenschäden hervorrufen.

Zum Beispiel, aber nicht ausschließlich, müssen die folgenden Reparaturen an autorisierte Fachwerkstätten oder registrierte Fachwerkstätten gerichtet werden: Kompressor, Kühlkreislauf, Hauptplatine, Inverterplatine, Displayplatine, usw.

Der Hersteller/Verkäufer kann in keinem Fall haftbar gemacht werden, wenn der Endverbraucher die oben genannten Bestimmungen nicht einhält.

Die Ersatzteilverfügbarkeit des von Ihnen gekauften Kühlschranks beträgt 10 Jahre, während dieser Zeit sind Original-Ersatzteile für den ordnungsgemäßen Betrieb des Kühlschranks verfügbar.

Die Mindestgarantiedauer für den von Ihnen gekauften Kühlschrank beträgt 24 Monate.

Dieses Produkt ist mit einer Lichtquelle der Energieklasse „G“ ausgestattet.

Die Lichtquelle in diesem Produkt darf nur von autorisierte Fachwerkstätten ausgetauscht werden.

Siehe auch

2 DISCLAIMER / WARNING [} 25]

Premièrement veuillez lire ce manuel !

Cher client, chère cliente,

Veuillez lire ce manuel avant d'utiliser l'appareil.

Nous vous remercions d'avoir choisi ce Bekoproduit. Nous aimerions que vous obteniez une efficacité optimale de ce produit de haute qualité qui a été fabriqué avec une technologie de pointe. À cette fin, lisez attentivement ce manuel et toute autre documentation fournie avant d'utiliser le produit et conservez-les comme référence.

Tenez compte de toutes les informations et de tous les avertissements figurant dans le manuel d'utilisation. De cette façon, vous vous protégez, vous et votre produit, contre les dangers qui peuvent survenir.

Conservez le manuel d'utilisation. Joignez ce guide à l'unité si vous le remettez à quelqu'un d'autre.

Les symboles suivants sont utilisés dans le manuel d'utilisation :



Il s'agit d'un danger qui peut entraîner la mort ou des blessures.



Informations importantes ou conseils utiles sur le fonctionnement.



Lisez le manuel d'utilisation.



Matériau combustible, mise en garde contre le risque d'incendie.

AVERTISSEMENT Un danger qui peut causer des dommages matériels au produit ou à son environnement





		Les informations sur le modèle, telles qu'elles sont enregistrées dans la base de données des produits, peuvent être obtenues en accédant au site web suivant et en recherchant l'identifiant du modèle (*) figurant sur l'étiquette énergétique. https://eprel.ec.europa.eu/
SUPPLIER'S NAME	MODEL IDENTIFIER → (*)	
		

Table des matières

1	Consignes de sécurité.....	56
1.1	Intention d'utilisation.....	56
1.2	Sécurité des enfants, des personnes vulnérables et des animaux domestiques.....	56
1.3	Sécurité électrique.....	57
1.4	Sécurité de manipulation	58
1.5	Sûreté des installations	58
1.6	Sécurité de fonctionnement	61
1.7	Sécurité du stockage des aliments	63
1.8	Sécurité relative à l'entretien et au nettoyage	64
1.9	Mise au rebut de l'ancien produit .	65
2	Instructions environnementales..	66
2.1	Conformité avec la directive DEEE et élimination des déchets..	66
3	Votre congélateur	67
4	Installation	67
4.1	Lieu idéal d'installation	67
4.2	Branchement électrique.....	68
4.3	Fixation des cales en plastique	68
4.4	Réglages des pieds avant.....	68
4.5	Attention aux surfaces chaudes...	69
5	Préparation.....	69
5.1	Moyens d'économiser l'énergie....	69
5.2	Première utilisation	69
5.3	Classe climatique et définitions ...	70
6	Fonctionnement de l'appareil.....	70
7	Utilisation de votre appareil.....	70
7.1	Réglage de la température de fonctionnement	70
7.2	Freezing Fresh Foods.....	71
8	Entretien et nettoyage.....	76
9	Dépannage	77



1 Consignes de sécurité

- Cette section contient les instructions de sécurité nécessaires à la prévention des risques de dommage corporel ou de dommage matériel.
- Notre entreprise ne peut être tenue pour responsable des dommages qui peuvent se produire si ces instructions ne sont pas respectées.



Confiez toujours les travaux d'installation et de réparation au fabricant, à un service après-vente agréé ou à une personne décrite par l'importateur.



Utilisez uniquement des pièces de rechange et des accessoires d'origine.



Évitez de réparer ou de remplacer tout composant de l'appareil sauf si cela est clairement spécifié dans le manuel d'utilisation.



Il ne faut pas effectuer de modifications sur l'appareil.



1.1 Intention d'utilisation

- Ce produit n'est pas destiné à un usage commercial et ne doit pas être utilisé à d'autres fins que celles pour lesquelles il a été conçu.
- Cet appareil est prévu pour un usage à l'intérieur, notamment les ménages ou autres.

Par exemple ;
cuisines du personnel des magasins, bureaux et autres environnements professionnels, les maisons de campagne, unités des hôtels, motels ou autres installations de repos utilisées par les clients, hôtels ou environnements similaires, services de restauration et les espaces semblables de vente en gros.

- Ce produit ne doit pas être utilisé dans des espaces extérieurs ouverts ou fermés tels que des bateaux, des camping-cars, des balcons ou des terrasses. L'exposition de l'appareil à la pluie, à la neige, au soleil et au vent présente un risque d'incendie.

1.2 Sécurité des enfants, des personnes vulnérables et des animaux domestiques



- Cet appareil peut être utilisé par des enfants âgés d'au moins 8 ans, ainsi que par des personnes avec des capacités physiques, sensorielles ou mentales réduites ou sans expérience et connaissances, si elles sont supervisées ou ont

été formées à l'utilisation sécurisée de l'appareil et comprennent les risques relatifs.

- Les enfants de 3 à 8 ans sont autorisés à mettre les aliments dans la glacière et à les enlever.
- Les enfants et les animaux domestiques ne doivent pas jouer avec le produit, ni grimper dessus, ni y entrer.
- Les enfants et les animaux domestiques doivent être tenus à l'écart de la zone de la cabine (compresseur) où se trouvent les pièces électriques.
- Le nettoyage et l'entretien des utilisateurs ne doivent pas être effectués par des enfants, sauf s'il y a une personne qui les surveille.
- Tenez les emballages hors de la portée des enfants. Risque de blessure et d'asphyxie .

1.3 Sécurité électrique

- Il ne faut pas brancher le produit dans la prise de courant pendant les opérations d'installation, d'entretien, de nettoyage, de réparation et de transport.
- Si le câble d'alimentation est endommagé, il doit être remplacé par un service agréé uniquement pour éviter tout risque qui pourrait survenir.
- Ne placez pas le câble d'alimentation sous l'appareil ou à l'arrière de celui-ci. Ne placez aucun objet lourd sur le câble d'alimentation. Le câble d'alimentation ne doit pas être plié, écrasé et entrer en contact avec une source de chaleur.
- N'utilisez pas de rallonge, de prise multiple ou d'adaptateur pour faire fonctionner votre appareil.
- Les prises multiples mobiles ou les blocs d'alimentation portatifs peuvent surchauffer et causer un incendie. Par conséquent, ne placez pas de multiprises ou de sources d'alimentation portables derrière ou à proximité de l'appareil.
- Ne branchez pas le cordon d'alimentation du produit dans une prise de courant mal fixée ou endommagée. Ces types de connexions peuvent surchauffer et provoquer un incendie..
- La prise doit être facilement accessible. Si cela n'est pas possible, l'installation électrique doit être dotée d'un mécanisme conforme à la réglementation en matière d'électricité et qui déconnecte toutes les bornes du réseau (fusible, interrupteur, commutateur principal, etc.).

- Le produit ne doit pas être utilisé avec un dispositif de commutation externe tel qu'une minuterie ou un système télécommandé.
- N'utilisez pas l'appareil lorsque vous avez les pieds nus ou le corps mouillé.
- Évitez de toucher le cordon d'alimentation avec des mains humides.
- Lorsque vous débranchez l'appareil, ne tenez pas le cordon d'alimentation, mais la prise.

1.4 Sécurité de manipulation

- Assurez-vous de débrancher l'appareil avant de le transporter.
- Cet appareil est lourd, ne le manipulez pas seul. Vous risquez de vous blesser si le produit tombe sur vous. Ne heurtez pas l'appareil et ne le faites pas tomber pendant son transport.
- Fermez toujours les portes et ne tenez pas l'appareil par ses portes lorsque vous le transportez.
- Veillez à ne pas endommager le système de refroidissement et les tuyaux lorsque vous manipulez l'appareil. Évitez de

faire fonctionner l'appareil si les tuyaux sont endommagés et contactez un service agréé.

1.5 Sûreté des installations

- Contactez le service agréé pour l'installation de votre réfrigérateur. Pour préparer l'appareil à l'utilisation, lisez attentivement les instructions du manuel d'utilisation et assurez-vous que les équipements électriques et d'approvisionnement d'eau sont installés convenablement. Si ce n'est pas le cas, appelez un électricien et un plombier qualifiés pour faire le nécessaire. Le non-respect de cette consigne peut entraîner un choc électrique, un incendie, des problèmes avec le produit ou des blessures.
- Ce produit est conçu pour une utilisation à une altitude maximale de 2 000 mètres au-dessus du niveau de la mer.
- Vérifiez que l'appareil n'est pas endommagé avant de l'installer. N'installez pas l'appareil lorsqu'il est endommagé.
- Utilisez toujours un équipement de protection individuelle (gants, etc.) pendant l'installa-

- tion, l'entretien et la réparation du produit. Risque de blessures !
- Placez le produit sur une surface propre, plane et dure et équilibrez-le à l'aide des pieds réglables (en tournant les pieds avant vers la droite ou la gauche). Sinon, le réfrigérateur risque de se renverser et provoquer des blessures.
 - Installez l'appareil dans un endroit sec et ventilé. Ne laissez pas de tapis, de moquettes ou d'autres revêtements similaires sous l'appareil. Ils peuvent entraîner un risque d'incendie en raison d'une ventilation inadéquate !
 - N'obstruez pas ou ne couvrez pas les orifices de ventilation. Sinon, la consommation d'énergie risque d'augmenter et votre produit pourrait être endommagé.
 - Lorsque vous installez le produit, veillez à ce que le câble d'alimentation ne soit pas endommagé ou pincé.
 - Le produit ne doit pas être connecté à des systèmes d'alimentation tels que l'alimentation solaire. Sinon, votre produit peut être endommagé en raison de changements soudains de tension !
 - Plus un réfrigérateur contient de réfrigérant, plus grande doit être la pièce d'installation. Dans les très petites pièces, un mélange gaz-air inflammable peut se produire en cas de fuite de gaz dans le système de refroidissement. Au moins 1 m³ de volume est requis pour chaque 8 grammes de réfrigérant. La quantité de réfrigérant disponible dans votre appareil est indiquée sur la plaque signalétique.
 - Le lieu d'installation du produit ne doit pas être exposé à la lumière directe du soleil et ne doit pas se trouver à proximité d'une source de chaleur telle qu'un poêle, un radiateur, etc. Si vous ne pouvez pas empêcher l'installation du produit à proximité d'une source de chaleur, utilisez une plaque isolante appropriée et assurez-vous que la distance minimale par rapport à la source de chaleur est conforme aux spécifications ci-dessous.
 - À au moins 30 cm des sources de chaleur telles que les cuisinières, les fours, les appareils de chauffage, etc.
 - Et à au moins 5 cm des fours électriques.

- Votre produit a la classe de protection I.
- Branchez le produit dans une prise avec mise à la terre conforme aux valeurs de tension, de courant et de fréquence indiquées sur la plaque signalétique. La prise de courant doit être équipée d'un fusible de 10 à 16A. Notre entreprise ne sera pas tenue responsable de tout dommage résultant de l'utilisation de l'appareil sans prise de mise à la terre et sans branchement électrique conforme aux normes locales et nationales en vigueur.
- Débranchez le câble d'alimentation du réfrigérateur pendant l'installation. Dans le cas contraire, vous risquez de vous électrocuter et de vous blesser !
- Ne branchez pas le cordon d'alimentation du produit dans des prises de courant lâches, disloquées, cassées, sales, huileuses et présentant un risque de contact avec l'eau. Ces types de branchements peuvent provoquer une surchauffe et un incendie.
- Placez le câble d'alimentation et les flexibles (si disponibles) de l'appareil de sorte qu'ils ne puissent pas provoquer de risque de trébuchement.
- La pénétration de l'humidité et de liquide sur les pièces sous tension ou sur le cordon d'alimentation peut provoquer un court-circuit. Par conséquent, n'utilisez pas l'appareil dans des environnements humides ou dans des zones où l'eau peut éclabousser (p. ex., garage, buanderie, etc.). Si le réfrigérateur est mouillé par l'eau, débranchez-le et communiquez avec un service autorisé.
- Ne branchez jamais votre réfrigérateur sur des dispositifs d'économie d'énergie. Ces systèmes sont nocifs pour l'appareil.
- En retirant le couvercle de la carte électronique et le couvercle arrière du compresseur (si présent), vous risquez d'entrer en contact avec des pièces électriques. Ne retirez pas le couvercle de la carte électronique et le couvercle arrière du compresseur (si présent). Il existe un risque d'électrocution !



1.6 Sécurité de fonctionnement

- N'utilisez jamais de solvants chimiques sur le réfrigérateur. Ces matériaux présentent un risque d'explosion.
- En cas de panne de l'appareil, débranchez-le et ne l'utilisez pas avant sa réparation par le service autorisé. Il existe un risque d'électrocution !
- Ne placez pas une source de flamme (p. ex. des bougies, cigarettes, etc.) sur l'appareil ou à proximité de celui-ci.
- Ne montez pas sur l'appareil. Risque de chute et de blessure !
- N'endommagez pas les tuyaux du système de refroidissement avec des outils tranchants et perçants. Le réfrigérant qui s'échappe en cas de perforation des tuyaux à gaz, des tuyaux d'extension ou des revêtements de la surface supérieure peut provoquer une irritation de la peau et des lésions oculaires.
- Ne placez pas et n'utilisez pas d'appareils électriques à l'intérieur du réfrigérateur/congélateur, sauf avis contraire du fabricant.
- Ne coincez pas les parties de vos mains ou de votre corps sur les parties mobiles à l'intérieur de l'appareil. Faites attention à ne pas coincer vos doigts entre le réfrigérateur et sa porte. Soyez prudent lorsque vous ouvrez ou fermez la porte en présence des enfants.
- Ne mettez pas de crème glacée, de glaçons ou d'aliments congelés dans votre bouche immédiatement après les avoir sortis du congélateur. Risque de gelure !
- Ne touchez pas les parois intérieures, les parties métalliques du congélateur ou les aliments conservés dans le congélateur avec les mains mouillées. Risque de gelure !
- Ne placez pas de canettes de soda ou de bouteilles contenant des liquides pouvant être congelés dans le compartiment congélateur. Les canettes ou les bouteilles peuvent exploser. Risque de blessures et de dommages matériels !
- N'utilisez pas ou ne placez pas de matériaux sensibles à la température tels que des aérosols inflammables, des objets inflammables, de la glace sèche ou d'autres agents chimiques à proximité du réfrigérateur. Risque d'incendie ou d'explosion !

- Ne stockez pas de matières explosives telles que des aérosols contenant des matériaux inflammables à l'intérieur de l'appareil.
- Ne placez pas de boîtes contenant des liquides sur l'appareil lorsqu'il est ouvert. Les éclaboussures d'eau sur une pièce électrique peuvent provoquer un choc électrique ou un incendie.
- En raison du risque de rupture, ne stockez pas de récipients en verre contenant du liquide dans le compartiment congélateur.
- Cet appareil n'est pas destiné au stockage et au refroidissement de médicaments, de plasma sanguin, de préparations de laboratoire ou de matériaux et produits similaires qui sont soumis à la directive sur les produits médicaux.
- Si l'appareil est utilisé à d'autres fins que celles pour lesquelles il a été conçu, il peut endommager ou détériorer les produits qu'il contient.
- Si votre réfrigérateur est équipé d'un voyant lumineux bleu, ne contemplez pas le voyant lumineux avec des instruments optiques. Ne fixez pas directement la lumière LED à UV pendant une longue période, car les rayons ultraviolets peuvent entraîner la fatigue oculaire.
- Ne remplissez pas l'appareil de contenu dépassant sa capacité. Des blessures ou des dégâts peuvent survenir au cas où le contenu du réfrigérateur tombe lorsque la porte est ouverte. Des problèmes similaires peuvent survenir lorsqu'un objet est placé sur l'appareil.
- Pour éviter tout risque de blessures, rassurez-vous que vous avez retiré toute la glace ou toute l'eau qui auraient pu se verser au sol.
- Changez l'emplacement des casiers/porte-bouteilles sur la porte de votre réfrigérateur uniquement lorsqu'ils sont vides. Risque de blessures !
- Ne placez aucun objet qui pourrait tomber ou basculer sur l'appareil. Ces objets peuvent tomber lors de l'ouverture ou de la fermeture de la porte, et causer des blessures et/ou des dégâts matériels.
- Ne frappez ni n'exercez aucune pression excessive sur les surfaces en verre. Le verre brisé peut causer des blessures et/ou des dégâts matériels.

- Le système de refroidissement de votre appareil contient du réfrigérant R600a. Le type de réfrigérant utilisé dans l'appareil est indiqué sur la plaque signalétique. Ce gaz est inflammable. Par conséquent, veillez à ne pas endommager le système de refroidissement et les tuyaux pendant l'utilisation de l'appareil. Si les tuyaux sont endommagés :
 1. Ne touchez pas l'appareil ni le câble d'alimentation,
 2. Maintenez l'appareil éloigné des sources potentielles d'incendie qui pourraient causer l'incendie de l'appareil,
 3. Aérez la zone où l'appareil est placé, N'utilisez pas de ventilateur,
 4. Contactez un centre de service agréé.
- 2. Coupez le cordon d'alimentation et retirez-le de l'appareil avec la prise.
- 3. Ne retirez pas les étagères et les tiroirs de l'appareil pour empêcher les enfants d'y pénétrer.
- 4. Démontage des portes.
- 5. Stockez l'appareil de façon à éviter qu'il se renverse.
- 6. Ne laissez pas les enfants jouer avec un appareil usagé.
- Ne jetez pas l'appareil en le mettant au feu. Risque d'explosion.
- Si une serrure est disponible sur la porte de l'appareil, gardez la clé hors de la portée des enfants.



1.7 Sécurité du stockage des aliments

Veillez prêter attention aux avertissements suivants afin d'éviter la détérioration des aliments :

- Laisser les portes ouvertes pendant une longue période peut entraîner une augmentation de la température à l'intérieur du produit.
 - Nettoyez régulièrement les systèmes de drainage accessibles en contact avec les aliments.
- Si l'appareil est endommagé et que vous observez une fuite de gaz, éloignez-vous du gaz. Le gaz peut causer des gelures lorsqu'il entre en contact avec votre peau.
- Avant de vous débarrasser des appareils usagés qui ne doivent plus être utilisés :
1. Débranchez le cordon d'alimentation de la prise de courant.

- Nettoyez les réservoirs d'eau qui n'ont pas été utilisés pendant 48 heures et les systèmes d'alimentation en eau qui n'ont pas été utilisés pendant plus de 5 jours.
- Conservez les produits de viande et de poisson crus dans des compartiments appropriés à l'intérieur de l'appareil. Ainsi, ils ne coulent pas sur les autres aliments et n'entre pas en contact avec eux.
- Les compartiments de congélation à deux étoiles permettent de conserver les aliments pré-cuisinés, de préparer et de conserver la glace et la crème glacée.
- Les compartiments à une, deux et trois étoiles ne conviennent pas à la congélation des aliments frais.
- Si le produit réfrigérant est resté vide pendant une longue période, éteignez le produit, dégivrez, nettoyez et séchez le produit afin de protéger le boîtier de l'appareil.
- Ne tirez pas sur la poignée de la porte si vous devez déplacer l'appareil pour le nettoyer. La poignée peut causer des blessures si vous la tirez trop fort.
- Ne placez pas vos mains, etc. sous le réfrigérateur. Il peut se coincer ou des bords tranchants peuvent provoquer des blessures.
- Ne nettoyez pas l'appareil en pulvérisant ou en versant de l'eau dessus et à l'intérieur. Risque de choc électrique et d'incendie.
- Lors du nettoyage de l'appareil, n'utilisez pas d'outils tranchants et abrasifs ni de produits de nettoyage ménagers, de détergents, d'essence, de diluant, d'alcool, de vernis et de substances similaires. Utilisez des produits de nettoyage et d'entretien qui ne sont pas nocifs pour les aliments uniquement à l'intérieur de l'appareil.
- N'utilisez jamais de vapeur ou de matériel de nettoyage à vapeur pour nettoyer l'appareil et faire fondre la glace qui s'y trouve. Lorsque la vapeur entre en contact avec les zones sensibles de votre réfrigérateur, elle peut provoquer un court-circuit ou un choc électrique.

1.8 Sécurité relative à l'entretien et au nettoyage

- Débranchez le réfrigérateur avant de le nettoyer ou d'effectuer des travaux d'entretien.

- N'utilisez pas d'outils mécaniques ou d'autres moyens que ceux recommandés par le fabricant pour accélérer le processus de dégivrage.
- Veillez à ce que l'eau ne s'approche pas des ouvertures de ventilation, des circuits électroniques ou de l'éclairage de l'appareil.
- Utilisez un torchon propre et sec pour essuyer la poussière ou les corps étrangers sur les extrémités des fiches. N'utilisez pas de torchon humide ou mouillé pour nettoyer la fiche. Ceci, pour éviter tout risque d'incendie ou de choc électrique.
- Pour éviter que les enfants ne s'enferment accidentellement dans le produit, désactivez le verrou de porte s'il en existe un.
- Les éclaboussures de liquide de refroidissement sont dangereuses pour les yeux. N'endommagez aucune partie du système de refroidissement lorsque vous mettez le produit au rebut.
- L'ingestion de l'huile du compresseur ou sa pénétration dans les voies respiratoires peut être fatale.
- Le système de refroidissement de votre produit comprend du gaz R600a comme spécifié sur la plaque signalétique. Ce gaz est inflammable. Ne jetez pas l'appareil en le mettant au feu. Risque d'explosion !
- C- Le pentane est utilisé comme agent gonflant dans les mousses d'isolation et c'est une substance inflammable. Ne jetez pas l'appareil en le mettant au feu.



1.9 Mise au rebut de l'ancien produit

Lorsque vous mettez votre ancien produit au rebut, suivez les instructions ci-dessous :

2 Instructions environnementales

2.1 Conformité avec la directive DEEE et élimination des déchets



Cet appareil est conforme à la directive DEEE de l'Union européenne (2012/19/UE). Le produit possède un symbole de classification attribué aux déchets d'équipements élec-

triques et électroniques (DEEE).

Ce symbole indique que cet appareil ne doit pas être mis au rebut avec les ordures ménagères à la fin de sa durée de vie. Les appareils usagés doivent être retournés au point de collecte officiel pour le recyclage des dispositifs électriques et électroniques. Pour trouver ces systèmes de collecte, veuillez contacter les autorités locales ou le détaillant à l'endroit où l'appareil a été acheté. Chaque ménage joue un rôle important dans la récupération et le recyclage des vieux appareils ménagers. La mise au

rebut appropriée des appareils usagés permet de prévenir les conséquences négatives potentielles pour l'environnement et la santé humaine.

FR

Conformité à la directive RoHS

Votre appareil est conforme à la directive RoHS de l'Union européenne (2011/65/UE). Il ne comporte pas de matériaux dangereux et interdits mentionnés dans la directive.

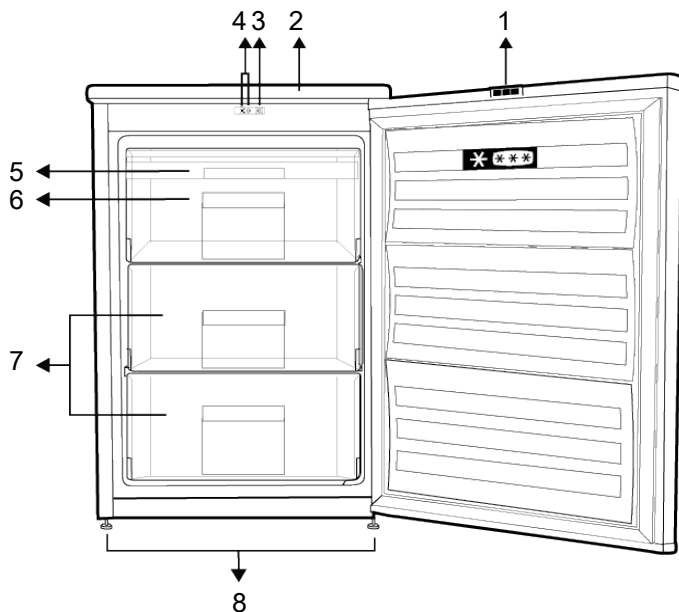


Informations sur l'emballage

Les matériaux d'emballage de cet appareil sont fabriqués à partir de matériaux recyclables, conformément à nos réglementations nationales en matière d'environnement. Ne mettez pas les matériaux d'emballage au rebut avec les ordures ménagères et d'autres déchets. Apportez-les aux points de collecte des matériaux d'emballage désignés par les autorités locales.

3 Votre congélateur

FR



- | | |
|---|--------------------------------------|
| 1 Éclairage | 2 Plateau supérieur |
| 3 Voyant | 4 Bouton de thermostat |
| 5 Bac à glaçons | 6 Compartiment de congélation rapide |
| 7 Compartiments de conservation des aliments congelés | 8 Pieds réglables |

***En option :** Les illustrations présentées dans ce manuel d'utilisation sont schématiques et peuvent ne pas correspondre

exactement à votre produit. Si votre appareil ne présente pas les parties citées, alors l'information s'applique à d'autres modèles.

4 Installation



Lisez d'abord la section « Instructions de sécurité » !

4.1 Lieu idéal d'installation

Contactez le service agréé pour l'installation de votre réfrigérateur. Pour préparer l'installation du réfrigérateur, lisez attentivement les instructions du manuel d'utilisation et assurez-vous que les équipements

électriques et d'approvisionnement d'eau sont installés convenablement. Si ce n'est pas le cas, appelez un électricien et un plombier pour faire le nécessaire pour les services publics.

**ATTENTION :**

Le fabricant ne sera pas tenu responsable en cas de problèmes causés par des travaux effectués par des personnes non autorisées.

**ATTENTION :**

Débranchez le câble d'alimentation du réfrigérateur pendant l'installation. Le non-respect de cette consigne peut entraîner la mort ou des blessures graves !

**ATTENTION :**

Si le cadre de la porte est trop étroit pour laisser passer l'appareil, retirez la porte et faites passer l'appareil sur les côtés ; si cela ne fonctionne pas, contactez le service agréé.

- Placez l'appareil sur une surface plane pour éviter les vibrations.
- Placez le produit à 30 cm du chauffage, de la cuisinière et des autres sources de chaleur similaires et à au moins 5 cm des fours électriques.
- N'exposez pas le produit directement à lumière du soleil et ne le laissez pas dans des environnements humides.
- Vérifiez que l'élément de protection d'espace de la façade arrière est présent à son emplacement (au cas où il est fourni avec l'appareil).

4.2 Branchement électrique



N'utilisez pas de câbles de rallonge ou de prises multiples pour le branchement électrique.



Les câbles d'alimentation endommagés doivent être remplacés par le service agréé.



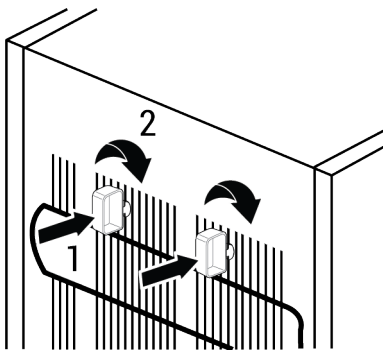
Lorsque deux réfrigérateurs sont installés côte à côte, laissez au moins 4 cm de distance entre les deux appareils

- Notre entreprise ne sera pas tenue responsable de tout dommage résultant de l'utilisation de l'appareil sans prise de mise à la terre ou branchement électrique conforme à la norme nationale en vigueur.
- Gardez la fiche du câble d'alimentation à portée de main après l'installation.
- N'utilisez pas de fiche multigroupe avec ou sans rallonge entre la prise murale et le réfrigérateur.

4.3 Fixation des cales en plastique

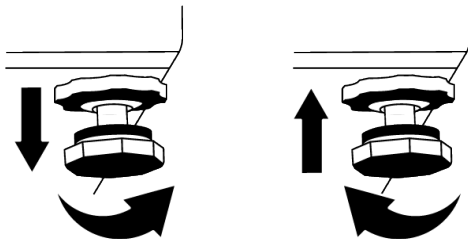
Utilisez les cales en plastiques fournies avec le réfrigérateur pour maintenir une circulation d'air suffisante entre le réfrigérateur et le mur. Montez 2 pièces de cales en plastique comme indiqué sur l'illustration suivante.

(L'image présentée est dessinée de manière représentative, elle ne correspond pas tout à fait à votre produit).



4.4 Réglages des pieds avant

Si l'appareil n'est pas équilibré, réglez les pieds avant en les tournant vers la gauche ou la droite.



4.5 Attention aux surfaces chaudes

Les parois latérales de votre appareil sont équipées de tuyaux de refroidissement pour améliorer le système de refroidissement. Un fluide à haute pression peut

s'écouler à travers ces surfaces, et provoquer des surfaces chaudes sur les parois latérales. C'est normal et cela ne nécessite pas d'entretien. Faites attention lorsque vous contactez ces zones.

5 Préparation



Lisez d'abord la section « Instructions de sécurité » !

5.1 Moyens d'économiser l'énergie



Il est dangereux de connecter l'appareil aux systèmes électroniques d'économie d'énergie, ils pourraient l'endommager.

- Cet appareil de réfrigération n'est pas conçu pour être utilisé comme un appareil encastré.
- Ne laissez pas la porte du réfrigérateur ouverte longtemps.
- Ne placez pas d'aliments ou de boissons chauds dans le réfrigérateur.
- Ne surchargez pas le réfrigérateur, l'obstruction du flux d'air interne réduira la capacité de réfrigération.
- Comme l'air chaud et humide ne pénètre pas directement dans votre produit lorsque les portes ne sont pas ouvertes, votre produit s'optimisera dans des conditions suffisantes pour protéger vos aliments. Dans ces conditions, les fonctions et les composants tels que le compresseur, le ventilateur, le chauffage, le dégivrage, l'éclairage, l'affichage, etc. fonctionneront en fonction des besoins en consommant un minimum d'énergie.
- Dans le cas où plusieurs options sont présentes, les étagères en verre doivent être placées de manière à ce que les sorties d'air de la paroi arrière ne soient pas bloquées et, de préférence, de manière à ce que les sorties d'air restent sous l'étagère en verre. Cette combinaison peut contribuer à améliorer la distribution de l'air et l'efficacité énergétique.

- Il est fortement recommandé d'utiliser le tiroir du bas pour le rangement.
- Les aliments sont stockés à l'aide des tiroirs du compartiment réfrigéré afin de garantir une économie d'énergie et de protéger les aliments dans de meilleures conditions.

5.2 Première utilisation

Avant d'utiliser votre réfrigérateur, assurez-vous que les installations nécessaires sont conformes aux instructions des sections « Instructions en matière de sécurité et d'environnement » et « Installation ».

- Laissez l'appareil fonctionner à vide pendant 6 heures, et ne l'ouvrez pas sauf en cas de nécessité absolue.
- Le changement de température causé par l'ouverture et la fermeture de la porte pendant l'utilisation du produit peut normalement entraîner la formation de condensation sur les tablettes de la porte/du corps et sur les verres placés dans l'appareil.



Un son retentit à l'activation du compresseur. Il est normal que l'appareil fasse du bruit même si le compresseur ne fonctionne pas, car du fluide et du gaz peuvent être comprimés dans le système de refroidissement.



Il est normal que les bords avant du réfrigérateur soient chauds. Ces parties doivent en principe être chaudes afin d'éviter la condensation.



Pour certains modèles, le panneau indicateur s'éteint automatiquement 1 minute après la fermeture des portes. Il s'active à nouveau à l'ouverture de la porte ou lorsque vous appuyez sur n'importe quelle touche.

5.3 Classe climatique et définitions

Veillez vous référer à la classe climatique figurant sur la plaque signalétique de votre appareil. L'une des informations suivantes s'applique à votre appareil selon la classe climatique.

- **SN** : Climat tempéré à long terme : Ce dispositif de refroidissement est conçu pour être utilisé à une température ambiante comprise entre 10 °C et 32 °C.
- **N** : Climat tempéré : Ce dispositif de refroidissement est conçu pour être utilisé à une température ambiante comprise entre 16°C et 32 °C.
- **ST** : Climat subtropical : Ce dispositif de refroidissement est conçu pour être utilisé à une température ambiante comprise entre 16°C et 38°C.
- **T** : Climat tropical : Ce dispositif de refroidissement est conçu pour être utilisé à une température ambiante comprise entre 16°C et 43°C.

6 Fonctionnement de l'appareil



Lisez d'abord la section « Instructions de sécurité » !

- Il ne faut pas utiliser d'outils mécaniques ou autres que les recommandations du fabricant pour accélérer l'opération de décongélation.
- Évitez d'utiliser des parties de votre réfrigérateur, telles que la porte ou les tiroirs, comme support ou comme marchepied. Cela peut faire trébucher le produit ou endommager ses composants.
- Le produit ne doit être utilisé que pour la conservation des aliments.
- Fermez le robinet d'eau si vous vous absentez de chez vous (par exemple, en vacances) et que vous n'utilisez pas le dis-

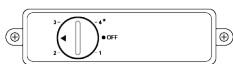
tributeur d'eau ou le distributeur de glace pendant une longue période. Dans le cas contraire, des fuites d'eau peuvent se produire.

Interruption du programme

- Si vous n'avez pas l'intention d'utiliser le produit pendant une longue période, débranchez-le de la prise de courant.
- Enlevez la nourriture pour éviter les odeurs.
- Attendez que la glace fonde, nettoyez l'intérieur et laissez-le sécher, laissez les portes ouvertes pour éviter d'endommager les plastiques intérieurs de la carrosserie.

7 Utilisation de votre appareil

7.1 Réglage de la température de fonctionnement



La température de fonctionnement est réglée par le contrôle de la température.

1 = Réglage de refroidissement le plus bas (réglage le plus chaud)

4=Réglage de refroidissement le plus élevé (réglage le plus froid)

(ou)

Min. = Réglage de refroidissement minimal (Réglage le plus chaud)

Max. = Réglage de refroidissement maximal

(Réglage le plus froid)

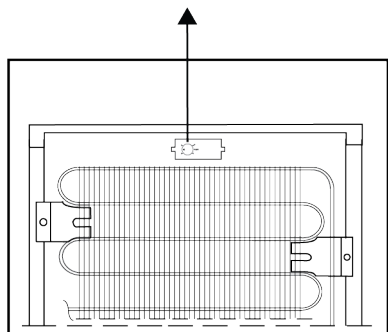
Veillez sélectionner un réglage en fonction de la température souhaitée.

La température interne dépend également de la température ambiante, de la fréquence d'ouverture de la porte et de la quantité d'aliments stockés à l'intérieur. L'ouverture fréquente de la porte entraîne une augmentation de la température interne.

Par conséquent, il est recommandé de fermer la porte dès que possible après utilisation.

La température de conservation normale de votre appareil doit être de -18° C (0° F). Si le bouton du thermostat est tourné dans le sens antihoraire à partir de la position 1, l'appareil s'éteint et un « clic » retentit. Des températures plus basses peuvent être obtenues en déplaçant le bouton du thermostat vers la position 4.

Nous vous recommandons de vérifier la température avec un thermomètre pour vous assurer que les compartiments de stockage sont à la température désirée. N'oubliez pas de lire la température immédiatement après l'avoir retirée du congélateur, car la température du thermomètre augmente très rapidement.



Le thermostat est situé sur la paroi arrière de l'armoire (voir photo ci-dessus) et est contrôlé par le bouton du thermostat.

7.2 Freezing Fresh Foods

- Les aliments à congeler doivent être divisés en portions en fonction de la taille à consommer, et congelés dans des emballages séparés. De cette façon, il convient d'éviter une recongélation de tous les aliments après décongélation.

- Afin de préserver au maximum la valeur nutritionnelle, l'arôme et la couleur des aliments, les légumes doivent être bouillis pendant une courte durée avant d'être congelés. (L'ébullition n'est pas nécessaire pour les aliments tels que le concombre, le persil). Le temps de cuisson des légumes ainsi congelés est réduit d'un tiers par rapport à celui des légumes frais.
- Pour prolonger la durée de conservation des aliments surgelés, les légumes bouillis doivent d'abord être filtrés, puis emballés hermétiquement comme tous les autres types d'aliments.
- Les aliments ne doivent pas être placés dans le compartiment congélateur sans emballage.
- Le matériau d'emballage des aliments à stocker doit être étanche à l'air, épais et durable et ne doit pas être sensible au froid et à l'humidité. Dans le cas contraire, les aliments durcis par la congélation risquent de percer l'emballage. Il est également important de fermer correctement l'emballage afin de conserver les aliments en toute sécurité.

Les types d'emballage suivants sont appropriés pour congeler les aliments :

Sac en polyéthylène, papier d'aluminium, film plastique, sacs sous vide et récipients de stockage résistants au froid avec bouchons.

L'utilisation des types d'emballage suivants n'est pas recommandée pour la congélation des aliments :

Papier d'emballage, papier parchemin, cellophane (papier gélatineux), sac poubelle, sacs usagés et sacs à provisions.

- Les aliments chauds ne doivent pas être placés dans le compartiment congélateur sans être refroidis.
- Lorsque vous placez des aliments frais non congelés dans le compartiment congélateur, veillez à ce qu'ils n'entrent pas en contact avec les aliments congelés. Les éléments de refroidissement (PCM) peuvent être placés sur l'étagère

située juste en dessous de l'étagère de congélation rapide pour éviter qu'ils ne se réchauffent.

- Ne placez pas d'autres aliments dans le congélateur pendant le temps de congélation (24 heures).
- Placez vos aliments sur les étagères ou les supports de congélation en les réparant de manière à ce qu'ils ne soient pas à l'étroit (il est recommandé que les emballages ne soient pas en contact les uns avec les autres).
- Les aliments congelés doivent être consommés immédiatement après leur décongélation et ne doivent jamais être recongelés.
- Ne bloquez pas les orifices de ventilation en plaçant vos aliments congelés devant ces orifices de ventilation situés sur la surface arrière.
- Nous vous recommandons d'apposer une étiquette sur l'emballage et d'y inscrire le nom des aliments contenus et le temps de congélation.

Aliments adaptés à la congélation :

Poissons et fruits de mer, viandes rouges et blanches, volailles, légumes, fruits, épices herbacées, produits laitiers (tels que fromage, beurre et yaourt égoutté), pâtisseries, plats cuisinés, plats de pommes de terre, soufflés et desserts.

Aliments non adaptés à la congélation :

Yaourt, lait caillé, crème, mayonnaise, salade frisée, radis rouge, raisins, tous les fruits (comme la pomme, les poires et les pêches).

- Pour que les aliments soient congelés rapidement et efficacement, il ne convient de respecter les quantités maximales suivantes spécifiées par emballage.
 - Fruits et légumes, 0,5 à 1 kg
 - Viande, 1 à 1,5 kg
- Une petite quantité d'aliments (2 kg maximum) peut également être congelée sans utilisation de la fonction de congélation rapide.

Pour obtenir le meilleur résultat, respectez les instructions suivantes :

1. Activate the quick freezing function 24 hours before placing your fresh foods.
 2. 24 hours after you have pressed the button, first place your food that you want to freeze to the top shelf with higher freezing capacity. Place your remaining food, if any, to the rightmost part of the second shelf.
 3. The quick freezing function will be automatically deactivated after 52 hours.
 4. Do not try to freeze a large quantity of food at a time. Within 24 hours, this product can freeze the maximum food quantity specified as «Freezing Capacity ... kg/24 hours» on its type label. It is not convenient to put more unfrozen/fresh foods to the freezer compartment than the quantity specified on the label.
1. Commutez le bouton de réglage sur la position MAX 24 heures avant de placer vos aliments frais dans le congélateur.
 2. 24 heures après avoir tourné le bouton du thermostat, placez les aliments que vous souhaitez congeler dans le tiroir du haut (capacité de congélation élevée).
 3. N'oubliez pas de remettre le bouton du thermostat dans sa position initiale, après avoir placé vos aliments.
 4. N'essayez pas de congeler une grande quantité d'aliments en même temps. Ce produit a la capacité de congeler la quantité maximale d'aliments indiquée sur l'étiquette sous « Capacité de congélation... Kg/24 heures » dans une période de 24 heures. Il ne convient pas de mettre plus d'aliments congelés/frais dans le compartiment congélateur que la quantité indiquée sur l'étiquette.
- Vous pouvez consulter les tableaux Viande et poisson, Légumes et fruits, Produits laitiers pour placer et conserver vos aliments dans le congélateur.

Conseils pour la conservation des aliments congelés

- Lorsque vous achetez vos aliments congelés, assurez-vous qu'ils sont congelés à des températures appropriées et que leurs emballages ne sont pas déchirés.
- Placez le plus tôt possible les paquets dans le compartiment congélateur après leur achat.
- Assurez-vous que la date de péremption indiquée sur l'emballage n'est pas dépassée avant de consommer les plats préparés emballés et prêts à la consommation que vous retirez du compartiment congélateur.

Dégivrage

La glace dans les compartiments de congélation est automatiquement décongelée.

Détails du congélateur

La norme EN 62552 exige (selon des conditions de mesure spécifiques) qu'au moins 4,5 kg d'aliments pour chaque 100 litres du volume du compartiment du congélateur soient congelés à 25 °C de température ambiante en 24 heures.

Décongélation des aliments congelés

En fonction de la diversité des aliments et de la finalité, vous pouvez choisir entre les options de décongélation suivantes :

- À température ambiante (pour maintenir la qualité de l'aliment, il n'est pas très approprié de le décongeler en le laissant à température ambiante pendant une longue période)
- Dans le réfrigérateur
- Dans le four électrique (dans les modèles avec ou sans ventilateur)
- Dans le four à micro-ondes

ATTENTION !

- Ne mettez jamais de boissons acides en bouteilles ou canettes en verre dans votre congélateur en raison du risque d'explosion.
- Si vous remarquez de l'humidité et un gonflement anormal de l'emballage des aliments congelés, cela signifie qu'ils ont probablement été stockés dans des conditions inappropriées et que leur contenu s'est détérioré. Ne consommez pas ces aliments sans vérification.
- Étant donné que le goût de certaines épices contenues dans les plats cuisinés peut changer lorsqu'ils sont exposés à des conditions de stockage à long terme, vous devez moins épicer vos aliments à congeler ou les épices souhaitées doivent être ajoutées aux aliments après le processus de décongélation.

Compartiment de congélation Réglages	Remarques
1,2	Ce réglage est celui qui est recommandé par défaut.
3	Ces réglages sont recommandés pour les températures ambiantes supérieures à 30° C. Utilisez ces paramètres si à votre avis le compartiment réfrigérateur n'est pas assez froid en raison de la température ambiante ou de l'ouverture fréquente de la porte.
Congélation rapide (*MAX ou 4)	Est utilisée lorsque vous voulez congeler vos denrées pendant une courte période. Il est recommandé de l'utiliser pour préserver la qualité de vos aliments frais. Vous n'avez pas besoin d'utiliser la fonction de congélation rapide pour stocker des aliments congelés et pour congeler de petites quantités d'aliments frais jusqu'à 2 kg par jour.

Viande et poisson		Préparation		Temps de stockage le plus long (mois)	
Produits à base de viande	Veau	Steak	En les coupant à 2 cm d'épaisseur et en les séparant par une feuille d'aluminium ou en les enveloppant hermétiquement avec du papier étirable.	6-8	
		Rôti	En emballant les morceaux de viande dans un sac réfrigérant ou en les enveloppant hermétiquement avec du papier étirable.	6-8	
		Cubes	En petites portions	6-8	
		escalopes, côtelettes	En séparant les tranches coupées par une feuille d'aluminium ou en les enveloppant individuellement avec papier étirable.	6-8	
	Mouton	Côtelettes	En séparant les morceaux de viande par une feuille d'aluminium ou en les enveloppant individuellement avec papier étirable.	4-8	
		Rôti	En emballant les morceaux de viande dans un sac réfrigérant ou en les enveloppant hermétiquement avec du papier étirable.	4-8	
		Cubes	En emballant la viande hachée dans un sac réfrigérant ou en les enveloppant hermétiquement avec du papier étirable.	4-8	
	Patte	Rôti	En emballant les morceaux de viande dans un sac réfrigérant ou en les enveloppant hermétiquement avec du papier étirable.	8-12	
		Steak	En les coupant à 2 cm d'épaisseur et en les séparant par une feuille d'aluminium ou en les enveloppant hermétiquement avec du papier étirable.	8-12	
		Cubes	En petites portions	8-12	
		Viande bouillie	En l'emballant en petites portions dans un sac réfrigérant	8-12	
	Hacher		Sans assaisonnement, dans des sachets plats		1-3
	Abats (pièce)		En pièces		1-3
	Saucisse fermentée - Salami		Elle doit être emballée, même si elle est dans une boîte.		1-3
	Jambon		En plaçant une feuille d'aluminium entre les tranches coupées		2-3
Volaille et animaux de chasse	Poulet et dinde		En l'enveloppant dans une feuille d'aluminium	4-6	
	Oie		En les emballant dans une feuille d'aluminium (les portions ne doivent pas dépasser 2,5 kg)	4-6	
	Canard		En les emballant dans une feuille d'aluminium (les portions ne doivent pas dépasser 2,5 kg)	4-6	
	Cerf, Lapin, Chevreuil		En les emballant dans une feuille d'aluminium (les portions ne doivent pas dépasser 2,5 kg et les os doivent être séparés)	6-8	

Viande et poisson		Préparation	Temps de stockage le plus long (mois)
Poissons et fruits de mer	Poissons d'eau douce (truite, carpe, grue, poisson-chat)	Après avoir soigneusement nettoyé l'intérieur et les écailles, il faut le laver, le sécher et couper la queue et la tête si nécessaire.	2
	Poisson maigre (Bar, Turbot, Sole)		4-6
	Poissons gras (Bonito, Maquereau, Poisson bleu, Rouget, Anchois)		2-4
	Mollusques	Nettoyés et dans des sachets	4-6
	Caviar	Dans son emballage, dans un récipient en aluminium ou en plastique	2-3

Fruits et légumes	Préparation	Temps de stockage le plus long (mois)
Haricots verts et haricots grimpants	Par ébullition-choc pendant 3 minutes après avoir été lavés et coupés en petits morceaux.	10-13
Petit pois	Par ébullition-choc pendant 2 minutes après décortilage et lavage.	10-12
Choux	Par ébullition-choc pendant 1 à 2 minute(s) après le nettoyage	6-8
Carotte	Par ébullition-choc pendant 3 à 4 minutes après avoir été nettoyés et coupés en tranches.	12
Poivre	En faisant bouillir pendant 2 à 3 minutes après avoir coupé la tige, en la divisant en deux et en séparant les graines.	8-10
Épinards	Par ébullition-choc pendant 2 minutes après lavage et nettoyage	6-9
Poireaux	Par ébullition-choc pendant 5 minutes après hachage	6-8
Chou-fleur	En les faisant bouillir dans une petite quantité d'eau citronnée pendant 3 à 5 minutes après avoir séparé les feuilles et coupé le cœur en morceaux	10-12
Aubergines	Par ébullition-choc pendant 4 minutes après avoir été lavés et coupés en morceaux de 2 cm.	10-12
Courges	Par ébullition-choc pendant 2 - 3 minutes après avoir été lavés et coupés en morceaux de 2 cm.	8-10
Champignons	En les faisant légèrement sauter dans l'huile et pressant du citron dessus.	2-3
Maïs	Par nettoyage et conditionnement en épi ou en granulés	12
Pomme et poire	Par ébullition-choc pendant 2 à 3 minutes après les avoir épluchées et coupées en tranches.	8-10
Abricot et pêche	Divisez de moitié et retirez les grains	4-6
Fraise et framboise	Par lavage et décortilage	8-12
Fruits cuits	En ajoutant 10 % de sucre dans le récipient	12
Prune, cerise, griotte	En lavant et en égrenant les tiges	8-12

Produits laitiers	Préparation	Temps de stockage le plus long (Mois)	Conditions de stockage
Fromage (sauf feta)	En plaçant une feuille d'aluminium entre les tranches coupées	6-8	Il est possible de le laisser dans son emballage d'origine pour un stockage à court terme. Pour un stockage à long terme, il doit également être enveloppé dans une feuille d'aluminium ou en plastique.
Beurre, margarine	Dans son propre emballage	6	Dans son propre emballage ou dans des récipients en plastique

8 Entretien et nettoyage



AVERTISSEMENT :

Lisez d'abord la section « Instructions de sécurité ».



AVERTISSEMENT :

Débranchez le réfrigérateur avant le nettoyage.

- N'utilisez pas des objets pointus ou des produits de nettoyage abrasifs pour nettoyer l'appareil. Il ne faut pas utiliser de matériaux tels que des produits d'entretien ménager, du savon, des détergents, du gaz, de l'essence, un diluant, de l'alcool, de la cire, etc.
- La poussière doit être enlevée de la grille de ventilation située à l'arrière du produit au moins une fois par an (sans ouvrir le couvercle). Nettoyez l'appareil avec un chiffon humide.
- Veillez à ne pas mouiller le logement de la lampe ainsi que d'autres composants électriques.
- Nettoyez la porte avec un chiffon humide. Retirez tout le contenu pour enlever la porte et les supports de carrosserie. Retirez les supports de porte en les soulevant vers le haut. Nettoyez et séchez les étagères, puis refixez-les en les faisant glisser à partir du haut.
- N'utilisez pas d'eau contenant du chlore, ou des produits de nettoyage pour les surfaces externes et les pièces chromées de l'appareil. Le chlore entraîne la corrosion de ce type de surfaces métalliques.
- Il ne faut pas utiliser d'outils tranchants et abrasifs, de savon, de produits d'entretien ménager, de détergents, de gaz, d'es-

sence, de vernis et de substances similaires pour empêcher la déformation de la pièce en plastique et l'élimination des empreintes sur la pièce. Utilisez de l'eau chaude et un chiffon doux pour le nettoyage, puis séchez-le.

- Sur les produits sans fonction « No-Frost », des gouttelettes d'eau et un givre pouvant atteindre l'épaisseur d'un doigt peuvent se former sur la paroi arrière du compartiment congélateur. Ne nettoyez pas et n'appliquez jamais d'huiles ou de produits similaires.
- Utilisez un chiffon en microfibres légèrement humidifié pour nettoyer la surface extérieure du produit. Les éponges et autres types de vêtements de nettoyage peuvent provoquer des éraflures.
- Afin de nettoyer tous les composants amovibles pendant le nettoyage de la surface intérieure du produit, il faut laver ces composants avec une solution douce composée de savon, d'eau et de carbonate. Lavez et séchez soigneusement. Évitez le contact de l'eau avec les composants d'éclairage et le panneau de contrôle.



ATTENTION :

N'utilisez pas de vinaigre, d'alcool à friction ni de produits nettoyants à base d'alcool sur les surfaces intérieures.

Surfaces extérieures en acier inoxydable

Utilisez un produit de nettoyage non abrasif pour l'acier inoxydable et appliquez-le avec un chiffon doux non pelucheux. Pour polir, essuyez doucement la surface avec un chiffon en microfibres humidifié à l'eau et utilisez une peau de chamois sèche. Suivez toujours les veines de l'acier inoxydable.

Prévention des odeurs

À sa sortie d'usine, cet appareil ne contient aucun matériau odorant. Cependant, la conservation des aliments dans des sections inappropriées et le mauvais nettoyage de l'intérieur peuvent donner lieu aux mauvaises odeurs.

9 Dépannage

Vérifiez la liste suivante avant de contacter le service après-vente. Cela devrait vous éviter de perdre du temps et de l'argent. Cette liste répertorie les plaintes fréquentes ne provenant pas de vices de fabrication ou des défauts de pièces. Certaines fonctionnalités mentionnées dans ce manuel peuvent ne pas exister sur votre modèle.

Le réfrigérateur ne fonctionne pas.

- La fiche électrique n'est pas correctement insérée. >>> Branchez-la en l'enfonçant complètement dans la prise.
- Le fusible branché à la prise qui alimente l'appareil ou le fusible principal est grillé. >>> Vérifiez les fusibles.

Condensation sur la paroi latérale du congélateur (MULTI ZONE, COOL, CONTROL et FLEXI ZONE).

- La porte a été ouverte trop fréquemment >>> Évitez d'ouvrir trop fréquemment la porte de l'appareil.
- L'environnement est trop humide. >>> N'installez pas l'appareil dans des endroits humides.
- Les aliments contenant des liquides sont conservés dans des récipients non fermés. >>> Conservez ces aliments dans des emballages scellés.

- Pour éviter cela, nettoyez l'intérieur à l'aide de carbonate dissout dans l'eau tous les 15 jours.
- Conservez les aliments dans des récipients scellés, car les micro-organismes provenant des aliments conservés dans des récipients non scellés provoquent une mauvaise odeur.
- Ne conservez pas d'aliments périmés ou avariés dans le réfrigérateur.

Protection des surfaces en plastique

Si de l'huile se répand sur les surfaces en plastique, il faut immédiatement les nettoyer avec de l'eau tiède, sinon elles seront endommagées.

- La porte de l'appareil est restée ouverte. >>> Ne laissez pas la porte de l'appareil ouverte longtemps.
- Le thermostat est réglé sur une température très froide. >>> Réglez le thermostat à la température appropriée.

Le compresseur ne fonctionne pas.

- En cas de coupure soudaine de courant ou de débranchement intempestif, la pression du gaz dans le système de réfrigération de l'appareil n'est pas équilibrée, ce qui déclenche la fonction de conservation thermique du compresseur. L'appareil se remet en marche au bout de 6 minutes environ. Dans le cas contraire, veuillez contacter le service de maintenance.
- Le dégivrage est actif. >>> Ce processus est normal pour un appareil à dégivrage complètement automatique. Le dégivrage se déclenche périodiquement.
- L'appareil n'est pas branché. >>> Vérifiez que le cordon d'alimentation est branché.
- Le réglage de la température est incorrect. >>> Sélectionnez le réglage de température approprié.
- Absence d'énergie électrique. >>> Le produit continuera à fonctionner normalement une fois le courant rétabli.

Le bruit du réfrigérateur en fonctionnement s'accroît pendant son utilisation.

- Le rendement de l'appareil en fonctionnement peut varier en fonction des fluctuations de la température ambiante. Ceci est normal et ne constitue pas un dysfonctionnement.

Le réfrigérateur fonctionne fréquemment ou pendant de longues périodes.

- Il se peut que le nouvel appareil soit plus grand que l'ancien. Les appareils plus grands fonctionnent plus longtemps.
- La température de la pièce est peut-être trop élevée. >>> Il est normal que l'appareil fonctionne plus longtemps quand la température de la pièce est élevée.
- L'appareil vient peut-être d'être branché ou chargé de nouvelles denrées alimentaires. >>> L'appareil met plus longtemps à atteindre la température réglée s'il vient d'être branché ou récemment rempli de denrées. C'est normal.
- Il est possible que des quantités importantes d'aliments chauds aient été récemment placées dans l'appareil. >>> Ne mettez pas d'aliments chauds à l'intérieur de l'appareil.
- Les portes étaient ouvertes fréquemment ou sont restées longtemps ouvertes. >>> L'air chaud qui se déplace à l'intérieur permet à l'appareil de fonctionner plus longtemps. N'ouvrez pas les portes trop fréquemment.
- Il est possible que la porte du congélateur soit entrouverte. >>> Vérifiez que les portes sont complètement fermées.
- L'appareil peut être réglé à une température trop basse. >>> Réglez la température à un degré supérieur et attendez que l'appareil atteigne la nouvelle température.
- Le joint de la porte du congélateur peut être sale, usé, cassé, ou mal positionné. >>> Nettoyez ou remplacez le joint d'étanchéité. Si le joint du congélateur est endommagé ou arraché, l'appareil prendra plus longtemps à conserver la température actuelle.

La température du congélateur est très basse, alors que celle du réfrigérateur est appropriée.

- La température du compartiment congélateur est très basse. >>> Réglez la température du compartiment congélateur à un degré supérieur et vérifiez à nouveau.

La température du réfrigérateur est très basse, alors que celle du congélateur est appropriée.

- La température du compartiment réfrigérateur est très basse. >>> Réglez la température du compartiment de refroidissement à un degré supérieur et vérifiez à nouveau.

Les aliments conservés dans le compartiment réfrigérateur sont congelés.

- La température du compartiment réfrigérateur est très basse. >>> Réglez la température du compartiment de refroidissement à un degré supérieur et vérifiez à nouveau.

La température du compartiment réfrigérateur ou congélateur est très élevée.

- La température du compartiment réfrigérateur est réglée à un degré très élevé. >>> Le réglage de la température du compartiment réfrigérateur a une incidence sur la température du compartiment congélateur. Attendez jusqu'à ce que la température des pièces correspondantes atteigne le niveau d'efficacité requis en changeant la température des compartiments réfrigérateur ou congélateur.
- Les portes étaient ouvertes fréquemment ou sont restées longtemps ouvertes. >>> N'ouvrez pas les portes trop fréquemment.
- La porte peut être entrouverte. >>> Fermez complètement la porte.
- L'appareil vient peut-être d'être branché ou chargé de nouvelles denrées alimentaires. >>> Cela est normal. L'appareil met plus longtemps à atteindre la température réglée s'il vient d'être branché ou récemment rempli de denrées.

- Il est possible que des quantités importantes d'aliments chauds aient été récemment placées dans l'appareil. >>> Ne mettez pas d'aliments chauds à l'intérieur de l'appareil.

En cas de vibrations ou de bruits.

- La surface n'est pas plate ou durable >>> Si l'appareil balance lorsqu'il est déplacé doucement, ajustez les supports afin de le remettre en équilibre. Assurez-vous également que le sol est assez solide pour supporter l'appareil.
- Les éléments placés sur l'appareil peuvent être à l'origine du bruit. >>> Retirez tous les éléments placés sur l'appareil.
- L'appareil émet un bruit d'écoulement de liquide ou de pulvérisation, etc.
- Les principes de fonctionnement de l'appareil impliquent des écoulements de liquides et des émissions de gaz. >>> Ceci est normal et ne constitue pas un dysfonctionnement.

L'appareil émet un sifflement.

- L'appareil effectue le refroidissement à l'aide d'un ventilateur. Ceci est normal et ne constitue pas un dysfonctionnement.

Il y a de la condensation sur les parois internes de l'appareil.

- Un climat chaud ou humide accélère le processus de givrage et de condensation. Ceci est normal et ne constitue pas un dysfonctionnement.
- Les portes étaient ouvertes fréquemment ou sont restées longtemps ouvertes. >>> N'ouvrez pas les portes trop fréquemment ; fermez-les lorsqu'elles sont ouvertes.
- La porte peut être entrouverte. >>> Fermez complètement la porte.

Il y a de la condensation sur les parois externes ou entre les portes de l'appareil.

- Il se peut que le climat ambiant soit humide, auquel cas cela est normal. >>> La condensation se dissipera lorsque l'humidité sera réduite.

Présence d'une odeur désagréable dans l'appareil.

- L'appareil n'est pas nettoyé régulièrement. >>> Nettoyez régulièrement l'intérieur à l'aide d'une éponge, de l'eau tiède et du carbonate dissout dans l'eau.
- Certains récipients et matériaux d'emballage sont peut-être à l'origine des mauvaises odeurs. >>> Utilisez des récipients et des emballages exempts de toute odeur.
- Les aliments étaient placés dans des récipients ouverts. >>> Conservez les aliments dans des récipients fermés. Des micro-organismes peuvent se proliférer dans des récipients non fermés et émettre de mauvaises odeurs.
- Retirez tous les aliments périmés ou avariés de l'appareil.

La porte ne se ferme pas.

- Les paquets d'aliments peuvent bloquer la porte. >>> Déplacez tout ce qui bloque les portes.
- L'appareil ne se tient pas parfaitement droit sur le sol. >>> Ajustez les supports afin de remettre l'appareil en équilibre.
- La surface n'est pas plane ou durable >>> Assurez-vous que la surface est plane et suffisamment durable pour supporter le produit.

Le bac à légumes est bloqué.

- Il est possible que les aliments soient en contact avec la section supérieure du bac. >>> Reclassez les aliments dans le bac.

Température à la surface de l'appareil.

- Une température élevée peut être observée entre deux portes, sur les panneaux latéraux et sur la zone du gril arrière lorsque votre produit est utilisé. C'est normal et cela ne nécessite pas d'entretien.

Le ventilateur continue de fonctionner lorsque la porte est ouverte.

- Le ventilateur peut continuer à fonctionner lorsque la porte du congélateur est ouverte.



AVERTISSEMENT : Si le problème persiste même après observation des instructions contenues dans cette partie, contactez votre fournisseur ou un service de maintenance agréé. N'essayez pas de réparer vous-même l'appareil. C'est normal.

CLAUSE DE NON-RESPONSABILITÉ / AVERTISSEMENT

Certaines défaillances (simples) peuvent être traitées de manière adéquate par l'utilisateur final sans qu'aucun problème de sécurité ou d'utilisation dangereuse ne survienne, à condition qu'elles soient effectuées dans les limites et conformément aux instructions suivantes (voir la section « Auto-réparation »).

Par conséquent, sauf autorisation contraire dans la section « Auto-réparation » ci-dessous, adressez-vous à des réparateurs professionnels agréés pour toutes réparations afin d'éviter des problèmes de sécurité. Un réparateur professionnel agréé est une personne à qui le fabricant a donné accès aux instructions et à la liste des pièces détachées de ce produit selon les méthodes décrites dans les actes législatifs en application de la directive 2009/125/CE

Toutefois, seul l'agent de service (c'est-à-dire les réparateurs professionnels agréés) que vous pouvez joindre au numéro de téléphone indiqué dans le manuel d'utilisation/la carte de garantie ou par l'intermédiaire de votre fournisseur agréé peut fournir un service conformément aux conditions de garantie. Par conséquent, veuillez noter que les réparations effectuées par des réparateurs professionnels (qui ne sont pas autorisés par) Beko Marka annulent la garantie.

Auto-réparation

L'auto-réparation peut être effectuée par l'utilisateur final en ce qui concerne les pièces de rechange suivantes : poignées de porte, charnières de porte, plateaux, paniers

et joints de porte (une liste mise à jour est également disponible sur support.beko.com à partir du 1er mars 2021).

En outre, pour garantir la sécurité du produit et éviter tout risque de blessure grave, ladite auto-réparation doit être effectuée en suivant les instructions du manuel d'utilisation pour l'auto-réparation ou celles disponibles sur support.beko.com. Pour votre sécurité, débranchez le produit avant de procéder à toute auto-réparation.

Les réparations et tentatives de réparation par les utilisateurs finaux pour des pièces ne figurant pas dans cette liste et/ou ne suivant pas les instructions des manuels d'utilisation pour l'auto-réparation ou celles disponibles sur support.beko.com, pourraient donner lieu à des problèmes de sécurité non imputables à Beko, et annuleront la garantie du produit.

Il est donc fortement recommandé aux utilisateurs finaux de s'abstenir de tenter d'effectuer des réparations ne figurant pas sur la liste des pièces de rechange mentionnée, mais de contacter dans de tels cas des réparateurs professionnels autorisés ou des réparateurs professionnels agréés. Au contraire, de telles tentatives de la part des utilisateurs finaux peuvent causer des problèmes de sécurité et endommager le produit et, par la suite, provoquer un incendie, une inondation, une électrocution et des blessures corporelles graves.

À titre d'exemple, mais sans s'y limiter, vous devez vous adresser à des réparateurs professionnels autorisés ou à des réparateurs professionnels agréés pour les

réparations suivantes : compresseur, circuit de refroidissement, carte mère, carte d'inverseur, panneau d'affichage, etc.

Le fabricant/vendeur ne peut être tenu responsable dans tous les cas où les utilisateurs finaux ne se conforment pas à ce qui précède.

La disponibilité des pièces de rechange du réfrigérateur que vous avez acheté est de 12 ans. Pendant cette période, les pièces de rechange d'origine seront disponibles pour faire fonctionner le réfrigérateur correctement.

La durée minimale de garantie du réfrigérateur que vous avez acheté est de 24 mois. Cet appareil est équipé d'une source d'éclairage de classe énergétique « G ».

La source d'éclairage de cet appareil ne doit être remplacée que par des réparateurs professionnels.



Voir également

- 2 CLAUSE DE NON-RESPONSABILITÉ / AVERTISSEMENT [] 81]

Lees eerst deze handleiding!

Beste klant,

Lees deze handleiding voor u het product gebruikt.

Hartelijk dank voor uw keuze van dit Beko product. Wij willen dat u kunt genieten van een optimale efficiëntie van dit hoogwaardige product dat is vervaardigd met de nieuwste technologische snufjes. Lees hiervoor deze handleiding en alle andere documentatie zorgvuldig voor u het product in gebruik neemt en bewaar het voor eventuele raadpleging.

U moet alle informatie en waarschuwingen omvat in deze handleiding naleven. Zo beschermt u zichzelf en uw product tegen eventuele gevaren.

Bewaar de handleiding. U moet deze handleiding meegeven met het apparaat als u het aan iemand anders doorgeeft.

De volgende symbolen worden gebruikt in de handleiding:



Gevaar dat fataal kan aflopen of resulteren in letsels.



Belangrijke informatie en nuttige tips bij het gebruik.



Lees de handleiding.



Brandbaar materiaal, waarschuwing voor brand.

OPMERKING Een gevaar dat materiële schade kan veroorzaken aan het product of de omgeving

 ENERG 	De informatie over het model zoals opgeslagen in de productdatabank is beschikbaar op de volgende website waar u kunt zoeken op de ID van het model (*) die vermeld staat op het typeplaatje. https://eprel.ec.europa.eu/
SUPPLIER'S NAME → MODEL IDENTIFIER → (*)  	

Inhoudsopgave

1	Veiligheidsinstructies	84
1.1	Beoogd gebruik	84
1.2	Veiligheid van kinderen, kwetsbare personen en huisdieren	84
1.3	Elektrische veiligheid.....	85
1.4	Veiligheid bij de verplaatsing van het product.....	86
1.5	Veiligheid tijdens de installatie.....	86
1.6	Veiligheid tijdens de bediening.....	88
1.7	Veiligheid tijdens de bewaring van etenswaren	91
1.8	Veiligheid tijdens het onderhoud en de reiniging	92
1.9	Verwijdering van het oude product	92
2	Milieurichtlijnen.....	93
2.1	Conformiteit met de AEEA richtlijn betreffende afgedankte elektrische en elektronische apparatuur:	93
3	Uw diepvriezer	94
4	Installatie	94
4.1	Correcte plaatsing voor de installatie.....	94
4.2	Elektrische aansluiting.....	95
4.3	De plastic spieën bevestigen.....	95
4.4	De poten aanpassen	95
4.5	Waarschuwing voor heet oppervlak	96
5	Vorbereiding.....	96
5.1	Wat u kunt doen om energie te besparen	96
5.2	Eerste gebruik.....	96
5.3	Klimaatklasse en definities.....	97
6	De bediening van he product.....	97
7	Het gebruik van uw apparaat	97
7.1	De bedrijfstemperatuur bijstellen .	97
7.2	Freezing Fresh Foods.....	98
8	Onderhoud en reiniging	102
9	Probleemoplossen.....	103

1 Veiligheidsinstructies

Dit hoofdstuk omvat de nodige veiligheidsinstructies om het risico van persoonlijke letsels of materiële schade te voorkomen.

Ons bedrijf kan niet aansprakelijk worden geteld voor schade die kan optreden als deze instructies niet worden nageleefd.

De installatie- en reparatiewerken moeten altijd worden uitgevoerd door een geautoriseerde dienst.

Gebruik uitsluitend originele reserveonderdelen en accessoires.

Er worden originele reserveonderdelen geleverd gedurende een periode van 10 jaar vanaf de aankoopdatum van het product.

U mag geen enkel onderdeel van het product repareren of vervangen tenzij dit duidelijk wordt aangegeven in de handleiding.

Voer geen technische wijzigingen uit aan het product.

1.1 Beoogd gebruik

Dit product is niet geschikt voor commercieel gebruik en het mag enkel worden gebruikt voor het beoogde gebruik. Dit product is uitsluitend ontworpen voor gebruik binnen in huis en in gelijkaardige ruimten.

Bijvoorbeeld:

- In personeelskeukens van winkels, kantoren en andere werkomgevingen,
- In boerderijen,
- In de eenheden van hotels, motels of andere rustfaciliteiten die worden gebruikt door de klanten,
- In jeugdherbergen of gelijkaardige omgevingen,
- In catering en gelijkaardige niet-kleinhandel toepassingen.

Dit product mag niet buiten worden gebruikt in een open of afgesloten buitenomgeving zoals op een boot, balkon of terras.

Het product blootstellen aan regen, sneeuw, zon of wind kan brand veroorzaken.

1.2 Veiligheid van kinderen, kwetsbare personen en huisdieren

- Dit product mag worden gebruikt door kinderen van 8 jaar en ouder en personen met een verminderde fysiek, gevoelsmatig en mentaal vermogen of een gebrek aan ervaring en kennis als ze onder toezicht staan of met betrekking instructies krijgen met betrekking tot het veilige gebruik van het apparaat en de betrokken risico's.

- Kinderen tussen 3 en 8 jaar oud mogen etenswaren uit de koelkast verwijderen of er in plaatsen.
- Kinderen en huisdieren mogen niet spelen met het product, in het product klimmen of in het product kruipen.
- Kinderen en huisdieren moeten uit de buurt van de cabinezone (compressor) blijven waar de elektrische onderdelen zich bevinden.
- De reiniging en het onderhoud mogen niet worden uitgevoerd door kinderen tenzij ze onder toezicht staan.
- Houd het verpakkingsmateriaal uit de buurt van kinderen. Risico op letsel en verstikking.
- op het netsnoer. Het netsnoer mag niet worden gebogen, geklemd of in contact komen met een warmtebron.
- Gebruik geen verlengsnoer, multistekker of adapter om uw product in te schakelen.
- Draagbare multistekkers of draagbare voedingen kunnen oververhitten en brand veroorzaken. U mag dus geen multistekker, draagbare voedingen achter of in de buurt van het product bewaren.
- Sluit het netsnoer van het product niet aan op een los of beschadigd stopcontact. Dit soort aansluitingen kan oververhitting en brand veroorzaken.

1.3 Elektrische veiligheid

- De stekker van het product mag niet in het stopcontact zitten tijdens de installatie, het onderhoud, de reiniging, reparaties en het vervoer van het product.
- Als het netsnoer beschadigd is, moet het worden vervangen door geautoriseerd personeel om alle mogelijke risico's te voorkomen.
- U mag het netsnoer niet onder of achter het product duwen. Plaats geen zware voorwerpen
- De stekker moet gemakkelijk bereikbaar zijn. Als dit niet mogelijk is, moet er een mechanisme beschikbaar zijn dat voldoet aan de elektrische wetgeving en die alle terminal loskoppelt van het netwerk (zekering, schakelaar, hoofdschakelaar, etc.).
- Het product mag niet worden bediend met een externe schakelaar zoals een timer of een op afstand bediend systeem.
- Gebruik het product niet op blote voeten of als uw lichaam nat is.

- U mag de stekker niet aanraken met natte handen.
- Wanneer u de stekker van het apparaat verwijdert uit het stopcontact mag u niet aan het snoer zelf trekken maar enkel aan de stekker.

1.4 Veiligheid bij de verplaatsing van het product

- Zorg ervoor dat u de stekker uit het stopcontact haalt voordat u het product meeneemt.
- Dit is een zwaar product, u mag het niet zelf verplaatsen. Als het product op u valt, kan dit verwondingen veroorzaken. Stoot nergens tegen en laat het product niet vallen tijdens transport.
- Sluit altijd de deuren en houd het product niet bij de deuren vast tijdens transport.
- Zorg ervoor het koelsysteem en de leidingen niet te beschadigen tijdens de verplaatsing van het product. Gebruik het product niet als de leidingen beschadigd zijn. Neem contact op met de geautoriseerde dienst.

1.5 Veiligheid tijdens de installatie

- Neem contact op met de geautoriseerde service voor de installatie van het product. Om

het gebruik van het product voor te bereiden, verwijzen wij u naar de informatie in de handleiding. Zorg ervoor dat de elektrische en watervoorzieningen correct zijn uitgevoerd. Zo niet moet u een gekwalificeerd elektricien en loodgieter aanspreken om de voorzieningen correct uit te voeren. Zo niet bestaat er een risico van elektrische schokken, brand, problemen met het product of persoonlijke letsels.

- Dit apparaat is ontworpen voor gebruik tot een maximale hoogte van 2000 meter boven de zeespiegel.
- Houd kinderen uit de buurt van de installatieruimte.
- Inspecteer het product op schade voor u het installeert. Laat het apparaat niet installeren als het beschadigd is.
- Gebruik altijd persoonlijke beschermingsmiddelen (handschoenen, enz.) tijdens de installatie, het onderhoud en de reparatie van het product. Risico op letsel!
- Plaats het product op een schoon, vlak en hard oppervlak en balanceer het met de verstelbare poten (door de voorvoeten naar rechts of links te

draaien). Zo niet kan de koelkast kantelen en letsels veroorzaken.

- Het product moet worden geïnstalleerd in een droge en geventileerde omgeving. U mag geen tapijten of gelijkaardige vloerkleden onder het product plaatsen. Dit kan een brandrisico veroorzaken als het gevolg van een ontoereikende ventilatie!
- De ventilatieopeningen mogen niet worden geblokkeerd of afgedekt. Anders neemt het stroomverbruik toe en kan uw product beschadigd raken.
- Zorg er bij het plaatsen van het product voor dat de voedingskabel niet beschadigd of bekneld raakt.
- Het product mag niet worden aangesloten op een stroomvoorziening en voeding die plotse spanningsschommelingen kan veroorzaken (bv. een draagbare voeding op zonne-energie). Zo niet kan er schade optreden aan uw product als resultaat van de abrupte schommelingen in de spanning.
- Hoe meer koelmiddel wordt toegevoegd aan een koelkast, hoe groter de installatielocatie moet zijn. In zeer kleine ruimten kan een brandbaar gasluchtmengsel optreden in het geval van een gaslek in het koelsysteem. Er is een minimum 1 m³ volume vereist voor elke 8 gram koelmiddel. De hoeveelheid koelmiddel die beschikbaar is in uw product staat vermeld op het typeplaatje.
- Het product mag nooit zodanig worden geplaatst dat netsnoeren, de metalen slang van het gasfornuis, metalen gas- of waterleidingen in contact komen met de achterwand van het apparaat (of de condensator).
- De installatielocatie van het product mag niet zijn blootgesteld aan direct zonlicht en het mag niet worden geplaatst in de buurt van een warmtebron zoals fornuizen, radiatoren, etc. Als u de installatie van het product in de buurt van een warmtebron niet kunt vermijden, moet u een gepaste isolatieplaat gebruiken en de minimumafstand met de warmtebron respecteren zoals hieronder aangegeven.
 - Ten minste 30 cm verwijderd van warmtebronnen zoals fornuizen, ovens, verwarmingseenheden en -toestellen, etc.

- En minimum 5 cm verwijderd van elektrische ovens.
- Uw product heeft de beschermingsklasse van I.
- Voer de stekker van het product in een geaard stopcontact dat voldoet aan de spanning, stroom- en frequentiewaarden vermeld op het typeplaatje. De stekker moet worden voorzien van een 10A – 16A zekering. Ons bedrijf aanvaardt geen verantwoordelijkheid voor eventuele schade door het gebruik zonder aarding en zonder stroomverbinding conform de lokale en nationale wetgeving.
- Het netsnoer van het product moet uit het stopcontact worden verwijderd tijdens de installatie. Zo niet bestaat er een risico van elektrische schokken en letsel!
- Sluit het netsnoer van het product niet aan op losse, verschoven, gebroken, vuile, olieachtige stopcontacten die gevaar voor contact met water kunnen opleveren. Dit soort aansluitingen kan oververhitting en brand veroorzaken.
- Plaats het netsnoer en de leidingen (indien beschikbaar) van het product zodanig dat niemand er over kan struikelen.
- Vocht- en vloeistofpenetratie van onder spanning staande onderdelen of het netsnoer kan een kortsluiting veroorzaken. Gebruik het product dus niet in vochtige omgevingen of in zones waar water kan spatten (bijv. garage, wasruimte, etc.). Als de koelkast nat is met water moet u de stekker verwijderen en contact opnemen met de onderhoudsdienst.
- U mag uw koelkast nooit aansluiten op energiebesparende apparaten. Dergelijke systemen zijn schadelijk voor het product.
- Er bestaat een risico van contact met elektrische onderdelen bij het verwijderen van de afdekking van de elektronische printplaat en de achterkap van de compressor (indien aanwezig). Verwijder de afdekking van de elektronische printplaat en de achterkap van de compressor (indien aanwezig) niet. Er bestaat gevaar op elektrische schokken!



1.6 Veiligheid tijdens de bediening

- Gebruik nooit chemische oplosmiddelen op het product. Dit materiaal kan een explosierisico inhouden.

- In het geval van een defect in het product moet u de stekker verwijderen uit het stopcontact en mag u het niet gebruiken tot het is gerepareerd door de service geautoriseerde. Er bestaat een risico van elektrische schokken!
- Plaats geen vlammenbron (bijv. kaarsen, sigaretten, etc.) op het product of in de buurt.
- U mag niet klimmen op het product. Risico van valpartijen en letsels!
- U mag de leidingen van het koelsysteem niet beschadigen door scherpe en doorborende werktuigen te gebruiken. Het koelmiddel dat vrijkomt wanneer de gasleidingen, buisverlengingen of coatings van het bovenste oppervlak worden doorprikt kan irritatie van de huid en letsels van de ogen veroorzaken.
- Plaats en bedien geen elektrische apparaten in de koelkast-diepvriezer tenzij dit is geadviseerd door de fabrikant.
- Zorg ervoor uw handen of lichaam uit de buurt te houden van de bewegende delen in het product. Zorg ervoor dat uw vingers niet geklemd kunnen raken tussen de koelkast en de deur. Wees voorzichtig wanneer u de deur opent of sluit als er kinderen in de buurt zijn.
- Plaats geen roomijs, ijsblokjes of diepgevroren etenswaren in uw mond van zodra u ze uit de diepvriezer haalt. Risico op vrieswonden!
- Raak de binnenwanden, metalen onderdelen van de diepvriezer of etenswaren die worden bewaard in de diepvriezer niet aan met natte handen. Risico op vrieswonden!
- Plaats geen blikjes of flessen met vloeistof die kunnen bevriezen in het vriesvak. Blikjes of flessen kunnen ontploffen. Er bestaat een risico van letsels en materiële schade!
- Gebruik of plaats geen materiaal dat gevoelig is aan temperaturen zoals brandbare sprays, brandbare voorwerpen, droog ijs of andere chemische stoffen in de buurt van de koelkast. Risico van brand en explosie!
- U mag geen explosieve stoffen zoals een aerosol met een ontvlambaar materiaal opslaan in het product.
- Plaats geen blikjes met vloeistof bovenop het product in een open toestand. Waterspat-

- ten op een elektrisch onderdeel kunnen elektrische schokken of brand veroorzaken.
- Glazen containers met vloeistof kunnen breken en mogen dus niet worden bewaard in het vriesvak.
 - Dit product is niet bedoeld om medicatie, bloedplasma, laboratoriumbereidingen of gelijkaardige materiaal en producten te bewaren en te koelen die onderhevig zijn aan de richtlijn voor Medische producten.
 - Als het product voor een ander dan het beoogde doeleinde wordt gebruikt, kan het schade veroorzaken aan Opberging etenswaren in het product.
 - Als uw koelkast is uitgerust met een blauwe lamp mag u niet naar deze lamp staren met optische apparaten. U mag niet langdurig rechtstreeks in de UV LED-lamp kijken. Ultraviolet stralen kunnen de ogen vermoeien.
 - Vul het product niet op met meer inhoud dan de capaciteit. Als de inhoud van de koelkast valt wanneer de deur wordt geopend, kan dit letsels of schade veroorzaken. Gelijkaardige problemen kunnen ook optreden als er een voorwerp op het product is geplaatst.
 - Zorg ervoor dat u al het eventuele ijs of water hebt verwijderd dat op de vloer kan zijn gevallen om letsels te vermijden.
 - Verander de locaties van de rekken/flessenrekken op de deur van uw koelkast enkel wanneer de rekken leeg zijn. Gevaar van letsels!
 - Plaats geen voorwerpen die kunnen vallen/kantelen op het product. Dergelijke voorwerpen kunnen vallen wanneer de deur wordt geopend of gesloten en letsels en/of materiële schade veroorzaken.
 - U mag niet te hard slaan op de glazen oppervlakken. Gebroken glas kan letsels en/of materiële schade veroorzaken.
 - Het koelsysteem van uw product bevat R600a koelmiddel. Het type koelmiddel dat wordt gebruikt in het product is gespecificeerd op het typeplaatje. Dit gas is ontvlambaar. Zorg er dus voor het koelsysteem en de leidingen niet te beschadigen tijdens de bediening van het product. In het geval van schade aan de leidingen;
 1. Raak het product of het netsnoer niet aan.
 2. Houd het product uit de buurt van potentiële bronnen van brand die het product in brand kunnen doen schieten.

3. Ventileer de ruimte waar het product is geplaatst. Gebruik geen ventilator.
4. Neem contact op met de geautoriseerde dienst.

Als het product is beschadigd en u een gaslek vaststelt, moet u uit de buurt blijven van het gas. Het gas kan de vrieswonden veroorzaken als het in contact komt met de huid.

Voor u ouder producten weggooit die niet meer mogen worden gebruikt:

1. Verwijder de stekker uit het stopcontact.
 2. Snijd het netsnoer door en verwijder het van het apparaat bij de stekker.
 3. Verwijder de rekken en laden van het product om te voorkomen dat kinderen kunnen geklemd raken in het apparaat.
 4. Verwijder de deuren.
 5. Bewaar het product zodat het niet kan omkantelen.
 6. Laat kinderen niet spelen met het afgedankte product.
- U mag het product niet verwijderen door het in vuur te gooien. Explosierisico.
 - Als er een slot aanwezig is op de deur van het product moet u de sleutel buiten het bereik van kinderen houden.



1.7 Veiligheid tijdens de bewaring van etenswaren

Let op de volgende waarschuwingen om te vermijden dat uw etenswaren zouden bederven:

- De deur langdurig open laten kan de temperatuur in het product doen stijgen.
- Reinig de toegankelijke afvoersystemen die in contact komen met de etenswaren regelmatig.
- Reinig de waterreservoirs als ze niet zijn gebruikt gedurende 48 uur en systemen met een verbinding met het waternet die niet zijn gebruikt gedurende meer dan 5 dagen.
- Bewaar rauw vlees- en visproducten in de geschikte vakken in het product. Zo kunnen deze niet druppelen of in contact komen met andere etenswaren.
- Twee vriesvakken worden gebruikt om voorgevulde etenswaren te bewaren en om ijs en roomijs te maken en te bewaren.
- Een-, twee- en drie-sterren compartimenten zijn niet geschikt om verse etenswaren in te vriezen.
- Als het koelproduct gedurende een lange tijd leeg is gelaten, moet u het uitschakelen, ont-

doeien, reinigen en drogen om de behuizing van het product te beschermen.

1.8 Veiligheid tijdens het onderhoud en de reiniging

- Trek niet aan het handvat van de deur als u het product moet verplaatsen tijdens het reinigen. Het handvat kan letsels veroorzaken als u er te hard aan trekt.
- Reinig het product niet door water te verstuiven of te gieten op en in het product. Er is een risico van elektrische schokken of brand.
- Tijdens de reiniging van het product mag u geen scherpe of schurende voorwerpen of huishoudelijke reinigingsmiddelen, oplosmiddelen, gas, benzine, verdunner, alcohol, lak en gelijkaardige stoffen gebruiken. Gebruik enkel reinigings- en onderhoudsmiddelen die niet schakelen zijn voor de etenswaren in het product.
- Gebruik geen stoom of stoomreinigers om het product te reinigen of om ijs in het product te ontdoien. Stoom komt in contact met de onderdelen van uw koelkast die onder span-

ning staan en dit veroorzaakt kortsluitingen of elektrische schokken.

- Zorg ervoor water uit de buurt te houden van het elektronisch circuit of de verlichting van het product.
- Gebruik een schone, droge doek om vreemd materiaal of stof te verwijderen van de punten van de stekker. Gebruik geen natte of vochtige doek om de stekker te reinigen. Zo niet bestaat er een risico van brand of elektrische schokken.

1.9 Verwijdering van het oude product

Wanneer u uw oude product weggooit, moet u de onderstaande instructies volgen:

- Om te voorkomen dat kinderen zich per ongeluk zouden opensluiten in het product moet u alle eventuele vergrendelingen van de deur onbruikbaar maken.
- Spatten van koelmiddel zijn schadelijk voor de ogen. U mag geen onderdeel van het koelsysteem beschadigen wanneer u het product verwijderd.

- Als de olie van de compressor wordt ingeslikt of als de olie binnendringt in de luchtwegen kan dit fatale gevolgen hebben.
- Het koelsysteem van uw product omvat R600a zoals aangeduid op het typeplaatje. Dit gas is ontvlambaar. U mag het

product niet verwijderen door het in vuur te gooien. Explosie-
risico!

- C-Pentaan wordt gebruikt als blaasmiddel in isolatieschuim en het is een brandbare stof. U mag het product niet verwijderen door het in vuur te gooien.

2 Milieuriichtlijnen

2.1 Conformiteit met de AEEA richtlijn betreffende afgedankte elektrische en elektronische apparatuur:



Dit product is conform met de EU WEEE-richtlijn (2012/19/EU). Dit product draagt een classificatiesymbool voor afval elektrische en elektronische apparatuur (WEEE).

Dit symbool wijst erop dat dit product niet mag worden verwijderd met ander huishoudelijk afval aan het einde van de levensduur. Een gebruikt apparaat moet naar een officieel inzamelpunt worden gebracht voor recycling van elektrische en elektronische apparaten. Neem contact op met uw lokale autoriteiten of detailhandelaar waar het product is gekocht om deze collectiesystemen te vinden. Elk gezin speelt een belangrijke rol in de recuperatie en recycling van oude

apparaten. De correcte verwijdering van gebruikte apparatuur helpt potentiële negatieve gevolgen voor het milieu en de volksgezondheid te voorkomen.

Naleving van de RoHS-richtlijn

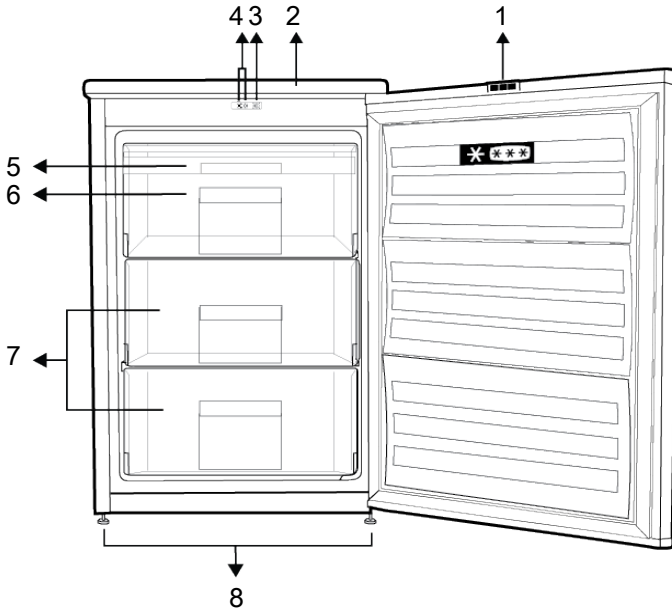
Het product dat u hebt gekocht is conform met de Europese RoHS-richtlijn (2011/65/EU). Het bevat geen schadelijk en verboden materiaal zoals gespecificeerd in de Richtlijn.



Informatie over de verpakking

Het verpakkingsmateriaal van het product is gefabriceerd van recyclebaar materiaal in overeenstemming met onze Nationale Milieuwetgeving. U mag het verpakkingsmateriaal niet samen met het huishoudelijke of ander afval weggoien. Breng het naar de inzamelpunten voor verpakkingsmateriaal aangegeven door de lokale autoriteiten.

3 Uw diepvriezer



1 Verlichting

3 Indicatielampen

5 IJslade

7 Diepgevroren voedingsvakken

2 Bovenste plank

4 Thermostaatknop

6 Snel vriesvak

8 Instelbare voetjes

***Optioneel:** De afbeeldingen in deze gebruikshandleiding zijn schematisch en stemmen mogelijk niet exact overeen met

uw product. Als de betrokken vakken niet aanwezig zijn in uw product verwijst de informatie naar andere modellen.

4 Installatie



Lees eerst het hoofdstuk "Veiligheidsinstructies"!

4.1 Correcte plaatsing voor de installatie

Neem contact op met de geautoriseerde service voor de installatie van het product. Om de installatie van het product voor te bereiden, verwijzen wij u naar de informatie in de handleiding. Zorg ervoor dat de elek-

trische en watervoorzieningen correct zijn uitgevoerd. Zo niet moet u een elektricien en loodgieter aanspreken om de voorzieningen correct uit te voeren.

**WAARSCHUWING:**

De fabrikant aanvaardt geen verantwoordelijkheid voor eventuele schade veroorzaakt door werkzaamheden die worden uitgevoerd door niet-geautoriseerde personen.

**WAARSCHUWING:**

Het netsnoer van het product moet uit het stopcontact worden verwijderd tijdens de installatie. Zo niet kan dit fataal aflopen of resulteren in ernstige letsels!

**WAARSCHUWING:**

Als de deuropening te nauw is om het product door te laten, moet u de deur verwijderen en het product zijdelings draaien; als dit niet werkt, kunt u contact opnemen met de geautoriseerde dienst.

- Plaats het apparaat op een vlakke ondergrond om trillingen te vermijden.
- Plaats het product minimum 30 cm verwijderd van de radiator, het fornuis en gelijkaardige warmtebronnen en minimum 5 cm van elektrische ovens.
- Stel het apparaat niet bloot aan direct zonlicht en plaats het niet in een vochtige omgeving.
- Controleer of het tussenruimte beveiligingsonderdeel met de muur achteraan aanwezig is (indien geleverd met het product).

4.2 Elektrische aansluiting

Gebruik geen verlengsnoer of multistekker voor de stroomverbinding.



Een beschadigd netsnoer moet worden vervangen door een Geautoriseerde Dienst.



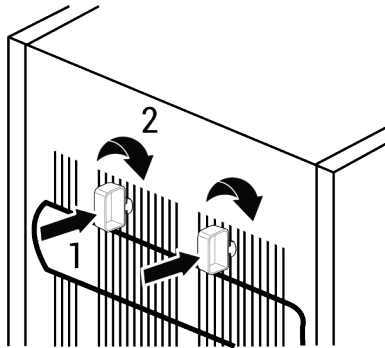
Als u twee koelers naast elkaar plaatst, moet u minimum 4 cm afstand laten tussen beide toestellen.

- Ons bedrijf aanvaardt geen verantwoordelijkheid voor eventuele schade door het gebruik zonder aarding of stroomverbinding conform de nationale wetgeving.
- De netstekker moet gemakkelijk toegankelijk blijven na de installatie.
- Gebruik geen multistekker met of zonder verlengsnoer tussen het stopcontact en de diepvriezer.

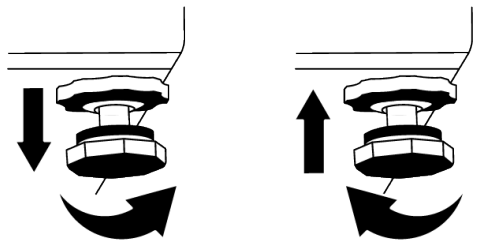
4.3 De plastic spieën bevestigen

Gebruik de plastic spieën die worden geleverd met het product om voldoende ruimte te laten voor de luchtcirculatie tussen het product en de muur. Installeer 2 plastic wiggen zoals getoond in de volgende afbeelding.

(De afbeelding dient louter ter illustratie en is niet identiek aan uw product.)

**4.4 De poten aanpassen**

Als het product niet correct gebalanceerd is, moet u de instelbare voeten vooraan naar links of rechts draaien.



4.5 Waarschuwing voor heet oppervlak

De zijwanden van uw product zijn uitgerust met koelmiddelleidingen om het koelsysteem te verbeteren. Vloeistof onder hoge druk kan door deze oppervlakken stromen

en hete oppervlakten veroorzaken op de zijwanden. Dit is normaal en vereist geen interventie van het onderhoudspersoneel. Let op wanneer u in contact komt met deze zones.

5 Voorbereiding



Lees eerst het hoofdstuk "Veiligheidsinstructies"!

5.1 Wat u kunt doen om energie te besparen



Het product verbinden met elektronische energiebesparende systemen is schadelijk want het kan uw product beschadigen.

- Dit koelapparaat is niet bedoeld voor gebruik als een ingebouwd apparaat;
- Houd de deur van de koelkast niet te lang open.
- Plaats geen warme dranken in de koelkast.
- U mag de koelkast niet te veel opvullen; als u de interne luchtcirculatie blokkeert, vermindert het koelvermogen.
- Aangezien warme en vochtige lucht niet rechtstreeks zullen doordringen in uw product als de deuren niet worden geopend zal uw product optimaal werken in omstandigheden die voldoen om uw etenswaren te beschermen. Onder deze omstandigheden werken functies en onderdelen zoals de compressor, ventilator, het verwarmingselement, ontdooien, verlichten, weergave, etc. in overeenstemming met de behoeften om zo weinig mogelijk energie te verbruiken.
- Als er meerdere opties zijn, moeten de glazen platen zodanig worden geplaatst dat ze de luchtuitlaten op de achterwand niet zijn geblokkeerd. De luchtuitlaten moeten bij voorkeur onder de glazen platen blijven. Deze combinatie kan bijdragen tot de luchtcirculatie en energie-efficiëntie.

- Het is ten zeerste aangeraden de onderste lade te gebruiken om etenswaren te bewaren.
- Etenswaren moeten worden bewaard op de laden in het koelvak om energie te besparen en etenswaren in betere omstandigheden te beschermen.

5.2 Eerste gebruik

Voor u de koelkast in gebruik neemt, moet u ervoor zorgen dat u de nodige voorbereidingen treft in overeenstemming met de instructies vermeld in de "Veiligheids- en omgevingsinstructies" en "Installatie" secties.

- Schakel het product in zonder etenswaren en laat het werken gedurende 6 uur. Open de deur niet tenzij absoluut noodzakelijk.
- De temperatuurwijzigingen die worden veroorzaakt door het openen en sluiten van de deur tijdens het gebruik van het product zullen in normale omstandigheden resulteren in de vorming van condensatie op de deur/laden en het glas dat in het product wordt geplaatst.



Een geluidssignaal weerklinkt wanneer de compressor wordt ingeschakeld. Het is normaal dat het product lawaai maakt, zelfs als de compressor is ingeschakeld, aangezien vloeistof en gas kan worden samengedrukt in het koelsysteem.



Het is normaal dat de voorzijden van de koelkast warm zijn. Deze zones zijn ontworpen om op te warmen en condensatie te vermijden.



In sommige modellen schakelt het indicatorpaneel automatisch uit 1 minuten nadat de deur sluit. Ze wordt opnieuw ingeschakeld wanneer de deur geopend wordt of een toets ingedrukt wordt.

5.3 Klimaatklasse en definities

Raadpleeg de klimaatklasse op het typeplaatje van uw apparaat. Eén van de onderstaande situaties is van toepassing op uw apparaat naargelang de klimaatklasse.”

- **SN:** Lange termijn gematigd klimaat: Dit koelapparaat is ontworpen voor gebruik bij een omgevingstemperatuur tussen 10 °C en 32 °C.
- **N:** Gematigd klimaat: Dit koelapparaat is ontworpen voor gebruik bij een omgevingstemperatuur tussen 16°C en 32 °C.
- **ST:** Subtropisch klimaat: Dit koelapparaat is ontworpen voor gebruik bij een omgevingstemperatuur tussen 16°C en 38°C.
- **Tel.:** Tropisch klimaat: Dit koelapparaat is ontworpen voor gebruik bij een omgevingstemperatuur tussen 16°C en 43°C.

6 De bediening van het product



Lees eerst het hoofdstuk “Veiligheidsinstructies”!

- Gebruik geen mechanische werktuigen of andere werktuigen dan de aanbevelingen van de fabrikant om de ontdooiing te versnellen.
- Gebruik geen onderdelen van uw koelkast zoals de deur of de laden als steun of trapje. Dit kan het product doen kantelen of de onderdelen beschadigen.
- Het product mag enkel worden gebruikt om etenswaren en dranken op te slaan.

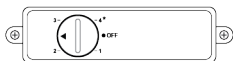
- Sluit de waterkraan af als u weg gaat van huis (bijv. op vakantie vertrekt) en u de Icematic of de waterdispenser gedurende een lange periode niet zult gebruiken. Zo niet kunnen er waterlekken optreden.

Het programma pauzeren

- Als u het product niet zult gebruiken gedurende een lange periode moet u stekker verwijderen uit het stopcontact.
- Verwijder de etenswaren om geurtjes te voorkomen.
- Wacht tot het ijs is gesmolten, reinig de binnenzijde en laat deze drogen. Laat de deuren open om schade aan het plastic in het product te voorkomen.

7 Het gebruik van uw apparaat

7.1 De bedrijfstemperatuur bijstellen



De bedrijfstemperatuur wordt ingesteld via de temperatuurbediening.

1=Laagste koelinginstelling (warmste instelling)

4=Hoogste koelinginstelling (koudste instelling)

(of)

Min. = Minimale koelinstelling

(Warmste instelling)

Max. = Maximale koelinstelling

(Koudste instelling)

Selecteer een instelling op basis van de gewenste temperatuur.

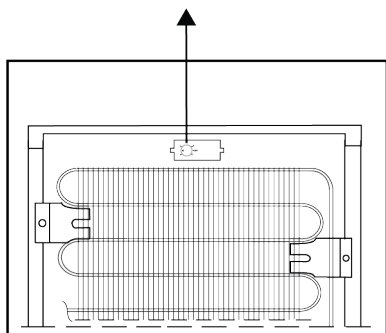
De interne temperatuur hangt ook af van de omgevingstemperatuur, hoe vaak de deur wordt geopend en de hoeveelheid etenswaren die worden opgeslagen in de koelkast. Het regelmatig openen van de deur zal de interne temperatuur doen stijgen.

Het is dus raadzaam de deur zo snel mogelijk te sluiten na elke opening.

De normale opslagtemperatuur van uw apparaat moet $-18\text{ }^{\circ}\text{C}$ ($0\text{ }^{\circ}\text{F}$) zijn. Als de thermostaatknop linksom wordt gedraaid van positie 1 schakelt het apparaat uit en hoort u een "klik". U kunt lagere temperaturen instellen door de thermostaatknop naar positie 4 te draaien.

Wij raden aan de temperatuur te controleren met een thermometer om zeker te zijn dat de bewaarvakken de gewenste temperatuur hebben.

Vergeet niet de temperatuur onmiddellijk af te lezen nadat u het uit de diepvriezer hebt verwijderd, aangezien de temperatuur van de thermometer snel stijgt.



De thermostaat bevindt zich op de achterwand van de kast (zie de bovenstaande afbeelding) en wordt bediend met de thermostaatknop.

7.2 Freezing Fresh Foods

- De etenswaren die u wilt invriezen moeten worden onderverdeeld in porties naargelang de hoeveelheid die u zult gebruiken en ze moeten worden ingevroren in afzonderlijke verpakkingen. Zo kunt u vermijden etenswaren opnieuw in te vriezen nadat ze zijn gedooid.
 - Om de voedingswaarde, het aroma en de Kleur van de etenswaren zoveel mogelijk te beschermen, moeten groenten even worden gekookt voor u ze invriest. (Koken is niet nodig voor etenswaren zoals komkommer, peterselie). De kooktijd van groenten die op deze wijze worden ingevroren is 1/3 korter dan bij verse groenten.
 - Om de bewaartijd van ingevroren etenswaren te verlengen, moeten gekookte groenten eerst worden gefilterd en daarna thermisch verpakt met alle soorten etenswaren.
 - Etenswaren mogen niet in het vriesvak worden geplaatst zonder verpakking.
 - Het verpakkingsmateriaal van de etenswaren die u wilt bewaren moet luchtdicht, dik en duurzaam zijn en mag niet vervormen door koude of vocht. Zo niet kunnen etenswaren die zijn verhard door het vriezen de verpakking doorprikken. Het is ook belangrijk de verpakking af te dichten om de etenswaren veilig te bewaren.
- De volgende soorten verpakkingen zijn geschikt om etenswaren in te vriezen.**
- Polyethyleen zakjes, aluminiumfolie, plasticfolie, Vacuümzakken en koudebestendige opbergcontainers met een deksel.
- Het gebruik van de volgende soorten verpakkingen is niet aanbevolen om etenswaren in te vriezen:**
- Verpakkingspapier, perkamentpapier, cellofaan (gelatinepapier), vuilniszakken, gebruikte zakken en winkelzakjes.
- Warme etenswaren mogen niet in het vriesvak worden geplaatst zonder eerst af te koelen.
 - Als u niet-ingevroren verse etenswaren in het vriesvak plaatst, moet u ervoor zorgen dat ze niet in contact komen met reeds ingevroren etenswaren. Cool-packs (PCM) kunnen direct op het rek worden geplaatst onder het Snel-invriezen rek om te voorkomen dat ze zouden warm worden.
 - Tijdens de invriestijd (24 uur) mag u geen andere etenswaren in het vriesvak plaatsen.
 - Plaats uw etenswaren op de vriesladen of rekken door ze zodanig te spreiden dat ze niet gekneld raken (het is aanbevolen dat de verpakkingen niet in aanraking komen met elkaar).
 - Ingevroren etenswaren moeten onmiddellijk worden verbruikt in een korte periode nadat ze zijn ontdooid en ze mogen nooit opnieuw worden ingevroren.

- mag de ventilatieopeningen niet blokkeren door uw ingevroren etenswaren voor de ventilatieopeningen te plaatsen op de achterwand.
- Wij raden aan een label aan te brengen op de verpakking en de naam van de etenswaren in de verpakking en het tijdstip van invriezen te noteren.

Etenswaren die kunnen worden ingevroren:

Vis en zeevruchten, wit en rood vlees, gevogelte, groenten, fruit, grasachtige kruiden, zuivelproducten (bijv. kaas, boter en gezeefde yoghurt), gebak, kant-en-klare maaltijden, aardappelschotels, soufflé en deserten.

Etenswaren die niet kunnen worden ingevroren:

Yoghurt, zure melk, room, mayonaise, bladsla, rode radijzen, druiven, fruit (bijv. appels, peren en perziken).

- Om etenswaren snel en grondig in te vriezen mag u niet meer dan de volgende specifieke hoeveelheden per verpakking invriezen.
 - Groenten en fruit, 0,5- 1 kg
 - Vlees, 1- 1,5 kg
- Een kleine hoeveelheid etenswaren (maximum 2 kg) mag ook worden ingevroren zonder de Snel-invriezen functie te gebruiken.

Voor een optimaal resultaat moet u de volgende instructies volgen:

1. Activate the quick freezing function 24 hours before placing your fresh foods.
2. 24 hours after you have pressed the button, first place your food that you want to freeze to the top shelf with higher freezing capacity. Place your remaining food, if any, to the rightmost part of the second shelf.
3. The quick freezing function will be automatically deactivated after 52 hours.
4. Do not try to freeze a large quantity of food at a time. Within 24 hours, this product can freeze the maximum food quantity specified as «Freezing Capacity ... kg/24 hours» on its type label. It is

not convenient to put more unfrozen/fresh foods to the freezer compartment than the quantity specified on the label.

1. Schakel de regelknop op de MAX-positie 24 uur voor verse etenswaren in het vriesvak plaatst.
 2. 24 uur nadat u aan de thermostaatknop hebt gedraaid, plaatst u de etenswaren die u wilt invriezen in de bovenste lade (met een hoger vriesvermogen).
 3. Vergeet niet de thermostaatknop naar de vorige positie te draaien nadat u uw etenswaren hebt aangebracht.
 4. Probeer geen te grote hoeveelheden in te vriezen in een keer. Dit product kan de maximale hoeveelheid etenswaren invriezen die vermeld staat op het etiket onder "Vriescapaciteit ... kg/24 uur" in een periode van 24 uur. Het is geen goed idee meer ingevroren/verse etenswaren in het vriesvak te plaatsen dan de hoeveelheid gespecificeerd op het label.
- kunt de Vlees en Vis, Groenten en Fruit, Zuivelproducten tabellen raadplegen voor het plaatsen en bewaren van uw etenswaren in de diepvriezer.

Advies bij het bewaren van ingevroren etenswaren

- Wanneer u ingevroren etenswaren koopt, moet u ervoor zorgen dat ze aan de correcte temperaturen worden ingevroren en dat hun verpakkingen niet stuk zijn.
- de verpakkingen zo snel mogelijk in het vriesvak na de aankoop.
- Zorg ervoor dat de vervaldatum vermeld op de verpakking niet is vervallen voor u de verpakte kant-en-klare maaltijden gebruikt en dat u ze op tijd verwijdert uit het vriesvak.

Ontdooien

Het ijs in het vriesvak wordt automatisch gedooid.

Diepvriezer details

De EN 62552 norm vereist (in overeenstemming met specifieke meetvoorwaarden) dat er ten minste 4,5 kg etenswaren voor elke 100 liter van het vriesvak volume kan worden ingevroren aan 25°C omgevingstemperatuur in 24 uur.

De ingevroren etenswaren ontdooien

Naargelang de diversiteit in de etenswaren en beoogde gebruik kan een selectie worden gemaakt in de volgende opties voor het ontdooien:

- Bij kamertemperatuur (het is niet goed geschikt de etenswaren te ontdooien door ze een lange tijd aan kamertemperatuur te laten om de voedingswaarde te behouden)
- In de koelkast
- In de elektrische oven (in modellen met of zonder ventilator)

- In de magnetron

OPGELET!

- Plaats nooit zuurhoudende drankjes in glazen flessen en blikjes in uw diepvriezer omwille van het explosierisico.
- Als u vocht en abnormale opzwellingen opmerkt in de verpakking van ingevroren etenswaren werden deze naar alle waarschijnlijkheid eerder opgeslagen in een slechte bewaarcondities en is de inhoud slecht geworden. U mag deze etenswaren niet verbruiken zonder ze eerst te controleren:
- Aangezien de smaak van bepaalde kruiden in bereide maaltijden kan veranderen als ze worden blootgesteld aan langdurige bewaarcondities moeten de etenswaren minder worden gekruid of mogen de gewenste kruiden pas worden toegevoegd nadat de etenswaren zijn ontdooid.

NL

Vriesvak Instelling	Opmerkingen
1,2	Dit is de standaard, aanbevolen instelling.
3	Deze instellingen worden aanbevolen bij omgevingstemperaturen van hoger dan 30°C. Gebruik deze instellingen als u vindt dat het koelvak niet koud genoeg is omwille van de omgevingstemperatuur of het regelmatig openen van de deur.
Snel invriezen (*MAX of 4)	Gebruik deze functie wanneer u etenswaren op korte tijd wilt invriezen. Dit is aanbevolen om de kwaliteit van uw verse etenswaren te bewaren. U hoeft de Snel-invriezen functie niet te gebruiken om kleine hoeveelheden verse etenswaren in te vriezen van maximaal 2kg per dag.

Vlees en vis		Vorbereiding	Langste be- waartijd (maand)	
Vleesprodu- cten	Kalfs- vlees	Steak	Door ze in schijfjes van 2 cm dik te snijden en folie te plaatsen tussenin of door ze dicht op elkaar te verpak- ken	6-8
		Geroosterd vlees	Door ze in stukken te verpakken in een koelkastzak of door ze dicht op elkaar te verpakken	6-8
		Blokjes	In kleine stukjes	6-8
		Schnitzel, kote- letten	Door folie te plaatsen tussen de gesneden plakjes of door ze individueel te verpakken	6-8
	Schapen- vlees	Koteletten	Door folie te plaatsen tussen de stukjes vlees of door ze individueel te verpakken	4-8
		Geroosterd vlees	Door ze in stukken te verpakken in een koelkastzak of door ze dicht op elkaar te verpakken	4-8
		Blokjes	Door het gehakte vlees te verpakken in een koelkastzak of door ze dicht op elkaar te verpakken	4-8
	Rund- vlees	Geroosterd vlees	Door ze in stukken te verpakken in een koelkastzak of door ze dicht op elkaar te verpakken	8-12
		Steak	Door ze in schijfjes van 2 cm dik te snijden en folie te plaatsen tussenin of door ze dicht op elkaar te verpak- ken	8-12
		Blokjes	In kleine stukjes	8-12
		Gekookt vlees	Door ze in kleine stukjes te verpakken in een koelkast- zak	8-12
	Gehakt		Zonder kruiden, in platte zakken	1-3
	Orgaanvlees (stuk)		In stukken	1-3
	Gefermenteerde worst - Sa- lami		Moet worden verpakt, zelfs als het al een vel heeft.	1-3
Ham		Door folie te plaatsen tussen de schijfjes	2-3	
Gevogelte en wild	Kip en kalkoen		Door ze in folie te wikkelen	4-6
	Gans		Door ze in folie te wikkelen (porties mogen niet groter zijn dan 2,5 kg)	4-6
	Eend		Door ze in folie te wikkelen (porties mogen niet groter zijn dan 2,5 kg)	4-6
	Hert, konijn, ree		Door ze in folie te wikkelen (porties mogen niet groter zijn dan 2,5 kg en hun beenderen moeten worden verwij- derd)	6-8
Vis en zee- vruchten	Zoetwatervis (Forel, karper, meerval)			2
	Magere vis (zeebaars, tar- bot, tong)		na een grondige reiniging van de binnenzijde en de schubben moeten ze worden gewassen en gedroogd. De staart en de kop moeten worden weggesneden in- dien nodig.	4-6
	Vette vis (bonito, makreel, blauwbaars, zeebaarbeel, ansjovis)			2-4
	Schaaldieren			Gereinigd en in zakken
	Kaviaar		In de verpakking, in een aluminium of plastic container	2-3

NL

Fruit en groenten	Vorbereiding	Langste bewaartijd (maand)
Snijbonen en groene bonen	Door ze te wassen, in kleine stukjes te snijden en dan te blancheren gedurende 3 minuten	10-13
Erwten	Door ze te doppen en te wassen en daarna te blancheren gedurende 2 minuten	10-12
Kool	Door ze te wassen en daarna te blancheren gedurende 1-2 minuten	6-8
Wortelen	Door ze te wassen, in schijfjes te snijden en dan te blancheren gedurende 3-4 minuten	12
Peper	Door de stengel te verwijderen, ze in twee te snijden en de zaden te verwijderen en daarna te koken gedurende 2-3 minuten	8-10
Spinazie	Door ze te wassen en te reinigen en daarna te blancheren gedurende 2 minuten	6-9
Prei	Door ze te hakken en daarna te blancheren gedurende 5 minuten	6-8
Bloemkool	Door de bladeren te verwijderen, in stukken te snijden en daarna te blancheren in water met een beetje citroensap gedurende 3-5 minuten	10-12
Aubergine	Door ze te wassen, in stukjes van 2cm te snijden en dan te blancheren gedurende 4 minuten	10-12
Pompoen	Door ze te wassen, in stukjes van 2 cm te snijden en dan te blancheren gedurende 2- 3 minuten	8-10
Paddenstoelen	Door ze licht te stoven in olie en er citroensap op te sprenkelen	2-3
Mais	Door ze te wassen en te verpakken op de kolf of in korrelvorm	12
Appelen en peren	Door ze te schillen, in schijfjes te snijden en dan te blancheren gedurende 2-3 minuten	8-10
Abrikozen en perziken	In twee snijden en de pitten verwijderen	4-6
Aardbeien en frambozen	Wassen en reinigen	8-12
Gebakken fruit	Door 10% suiker toe te voegen aan de container	12
Pruimen, kersen, krieken	Door ze te wassen en de stengels te verwijderen	8-12

Zuivelproducten	Vorbereiding	Langste bewaartijd (maand)	Bewaarcondities
Kaas (behalve fetakaas)	Door folie te plaatsen tussen de schijfjes	6-8	Ze kan gedurende een korte periode in de originele verpakking worden gelaten Voor een langdurige bewaring moet ze ook in Aluminium- of plasticfolie worden verpakt.
Boter, margarine	In de eigen verpakking	6	In de eigen verpakking of plastic containers

8 Onderhoud en reiniging



WAARSCHUWING!
Lees eerst het hoofdstuk "Veiligheidsinstructies".



WAARSCHUWING!
Verwijder de stekker uit het stopcontact voor u de koelkast reinigt.

- Gebruik geen scherp of schurend gereedschap om het product te reinigen. Gebruik geen materiaal zoals huishoudelijke reinigingsmiddelen, zeep, schoonmaakmiddelen, gas, benzine, verdunner, alcohol, was, etc.

- Stof moet ten minste één maal per jaar van het ventilatierooster op de achterzijde van het product worden verwijderd (zonder het deksel te openen). Reinig het product met een vochtige doek.
- Zorg ervoor water uit de buurt van het lampdeksel en andere elektrische onderdelen te houden.
- Reinig de deur met een vochtige doek. Verwijder de inhoud om de deur en rekken te verwijderen. Verwijder de deurrekken door ze omhoog te tillen. Reinig en droog de laden en breng ze opnieuw aan door ze opwaarts te schuiven.
- Gebruik geen chloorwater of reinigingsproducten op de buitenzijde en de verchromde onderdelen van het product. Chloor veroorzaakt roest op dergelijke metalen oppervlakten.
- Gebruik geen scherpe en schurende middelen, zeep, huishoudelijke schoonmaakmiddelen, oplosmiddelen, gas, benzine, vernis en gelijkaardige stoffen om vervormingen van het plastic onderdeel te voorkomen en de labels niet te verwijderen van het product. Gebruik warm water en een zachte doek om het te reinigen en droog het.
- Waterdruppels en ijsvorming tot een vinger dik kunnen voorkomen op de achterwand van het vriesvak op producten zonder een vorstvrije functie. Niet reinigen en breng geen olie of een gelijkaardig middel aan.
- Gebruik een licht vochtige microvezel doek om het externe oppervlak van het product te reinigen. Sponzen en andere soorten reinigingsdoeken kunnen het oppervlak krassen.
- Om alle verwijderbare onderdelen te reinigen tijdens de reiniging van de binnenzijde van het product moet u deze onderdelen wassen met een zachte oplossing

van zeep, water en koolzuurzout. Grondig wassen en drogen. Vermijd contact van het water met de verlichting en het bedieningspaneel.



OPGELET:

Gebruik geen azijn, ontsmettingsalcohol of andere alcohol-gebaseerde middelen op de interne oppervlakken.

Roestvrij stalen externe oppervlakken

Gebruik een niet-schurend roestvrij staal reinigingsmiddelen en breng het aan met een zachte pluïsvrije doek. Om te poetsen, moet u het oppervlak zacht wrijven met een in water bevochtigde microvezel doek en gebruik een droog zeemvel. Volg altijd de richting van het roestvrij staal.

Geurtjes voorkomen

Het product wordt gefabriceerd zonder slecht ruikend materiaal. Hoewel, als de etenswaren in incorrecte secties worden bewaard en een incorrecte reiniging van de interne oppervlakten kan resulteren in onaangename geurtjes.

- Om dit te vermijden, moet u de binnenzijde iedere 15 dagen reinigen met zuurhoudend water.
- Bewaar de etenswaren in afgedekte containers, want micro-organismen die ontsnappen uit niet-afgedekte containers zullen onaangename geurtjes veroorzaken.
- Bewaar geen verstreken en bedorven etenswaren in de koelkast.

Bescherming van plastic oppervlakken.

Oliespatten op plastic oppervlakten kunnen de oppervlakte beschadigen en moeten onmiddellijk worden verwijderd met warm water.

9 Probleemoplossen

Controleer deze lijst voor u contact opneemt met de service. Zo kunt u tijd en geld besparen. Deze lijst omvat vaak voorkomende klachten die niet zijn gerelateerd

aan slecht vakmanschap of defect materiaal. Sommige functies die hier worden vermeld, zijn mogelijk niet van toepassing op uw product.

De koelkast werkt niet.

- De stekker is niet volledig correct ingebracht. >>> Steek de stekker volledig in het stopcontact.
- De zekering van de stekker van het product of de hoofdzekering is gesprongen. >>> Controleer de zekering.

Condensatie op de zijwanden van het koelvak (MULTI ZONE, COOL CONTROL en FLEXI ZONE).

- De deur wordt te vaak geopend. >>> Zorg ervoor de deur van het product niet te vaak te openen.
- De omgeving is te vochtig. >>> U mag uw product niet in een vochtige omgeving installeren.
- Etenswaren die vloeistof bevatten worden bewaard in niet-afgedekte containers. >>> Bewaar de etenswaren die vloeistof bevatten in afgedekte containers.
- De deur van het product wordt open gelaten. >>> Houd de deur van het product niet te lang open.
- De thermostaat is ingesteld op een zeer koude temperatuur. >>> Stel de thermostaat in op een gepaste temperatuur.

De compressor werkt niet.

- In het geval van een plotse stroomstoring of wanneer u de stekker uit het stopcontact verwijdert en opnieuw invoert, is de gasdruk van het koelsysteem van het product niet in evenwicht, wat de thermische beveiliging van de compressor activeert. Het product start opnieuw op na ca. 6 minuten. Als het product niet herstart na deze periode moet u contact opnemen met de service.
- Ontdooien is actief. >>> Dit is normaal voor een volledig automatisch ontdooiend product. Af en toe wordt het product ontdooid.
- De stekker van het product zit niet in het stopcontact. >>> Zorg ervoor dat de stekker correct is aangebracht.
- De temperatuurinstelling is incorrect. >>> Selecteer de gepaste temperatuurinstelling.

- De stroom is uitgeschakeld. >>> Het product blijft normaal werken wanneer de stroom opnieuw wordt ingeschakeld.

De koelkast maakt meer lawaai wanneer de koelkast is ingeschakeld.

- De prestatie van het product kan variëren naargelang de schommelingen in de omgevingstemperatuur. Dit is normaal en is geen defect.

De koelkast schakelt te vaak of te lang in.

- Het nieuwe product kan groter zijn dan het vorige. Grotere producten werken gedurende langere perioden.
- De kamertemperatuur kan hoog zijn. >>> Het product werkt doorgaans gedurende lange perioden bij een hoge kamertemperatuur.
- Het is mogelijk dat de stekker nog niet lang in het stopcontact is gestoken of dat een nieuw voedsel item in het product is geplaatst. >>> Het duurt langer voor het product om de ingestelde temperatuur te bereiken of er is een nieuw voedsel item in het product geplaatst. Dit is normaal.
- Er zijn mogelijk grote hoeveelheden warme etenswaren in het product geplaatst. >>> Plaats geen warme etenswaren in het product.
- De deuren zijn vaak geopend of gedurende lange perioden open gehouden. >>> De warme lucht in het product zorgt ervoor dat het langer moet inschakelen. Open de deuren niet te vaak.
- De deur van de diepvriezer of koeler staat mogelijk op een kier. >>> Controleer of de deuren volledig gesloten zijn.
- Het product is mogelijk ingesteld op een te lage temperatuur. >>> Stel de temperatuur hoger in en wacht tot het product de aangepaste temperatuur heeft bereikt.
- De deurpakking van de koeler of diepvriezer kan vuil, versleten, gebroken zijn of niet correct aangebracht. >>> Reinig of vervang de pakking. Als de deurpakking beschadigd / gescheurd is, zal het product langer inschakelen om de huidige temperatuur te behouden.

De temperatuur van de diepvriezer is zeer laag, maar de koeltemperatuur is toereikend.

- De temperatuur van het vriesvak is zeer laag ingesteld. >>> Stel de temperatuur van het vriesvak hoger in en controleer opnieuw.

De temperatuur van de koeler is zeer laag, maar de temperatuur van de diepvriezer is toereikend.

- De temperatuur van het koelvak is zeer laag ingesteld. >>> Stel de temperatuur van het koelvak hoger in en controleer opnieuw.

De etenswaren in het koelvak zijn bevroren.

- De temperatuur van het koelvak is zeer laag ingesteld. >>> Stel de temperatuur van het koelvak hoger in en controleer opnieuw.

De temperatuur in de koeler of diepvriezer is te hoog.

- De temperatuur van het koelvak is zeer hoog ingesteld. >>> De temperatuurstelling van het koelvak heeft een effect op de temperatuur in het vriesvak. Wacht tot de temperatuur van de relevante onderdelen het toereikende niveau bereikt door de temperatuur van het koel- of vriesvak te wijzigen.
- De deuren zijn vaak geopend of gedurende lange perioden open gehouden. >>> Open de deuren niet te vaak.
- De deur staat mogelijk op een kier. >>> Sluit de deur volledig.
- Het is mogelijk dat de stekker nog niet lang in het stopcontact is gestoken of dat een nieuw voedsel item in het product is geplaatst. >>> Dit is normaal. Het duurt langer voor het product om de ingestelde temperatuur te bereiken of er is een nieuw voedsel item in het product geplaatst.
- Er zijn mogelijk grote hoeveelheden warme etenswaren in het product geplaatst. >>> Plaats geen warme etenswaren in het product.

Schudden of lawaai.

- Het oppervlak is niet vlak of stevig >>> Als het product schudt wanneer het langzaam wordt verplaatst, kunt u de voetjes aanpassen om het product in evenwicht te brengen. Zorg er ook voor dat de bodem voldoende stevig is om het gewicht van het product te dragen.
- Alle voorwerpen die op het product worden geplaatst kunnen lawaai veroorzaken. >>> Verwijder alle voorwerpen die op het product zijn geplaatst.
- Het product maakt lawaai van stromende vloeistof, sprays, etc.
- De werking van het product omvat de stroom van vloeistoffen en gas. >>> Dit is normaal en is geen defect.

Er komt lawaai als blazende wind uit het product.

- Het product gebruikt een ventilator voor het koelproces. Dit is normaal en is geen defect.

Er is condensatie op de interne wanden van het product.

- Warm of vochtig weer verhoogt de vorming van ijs en condensatie. Dit is normaal en is geen defect.
- De deuren zijn vaak geopend of gedurende lange perioden open gehouden. >>> U mag de deuren niet te vaak openen; als ze open is, moet u de deur sluiten.
- De deur staat mogelijk op een kier. >>> Sluit de deur volledig.

Er is condensatie op de buitenzijde of tussen de deuren van het product.

- De weersomstandigheden kunnen vochtig zijn. Dit is normaal bij vochtig weer. >>> De condensatie verdwijnt wanneer de vochtigheidsgraad afneemt.

De binnenzijde ruikt niet lekker.

- Het product wordt niet regelmatig gereinigd. >>> Reinig de binnenzijde regelmatig met een spons, warm water en koolzuurhoudend water.
- Bepaalde containers en verpakkingen kunnen geurtjes afgeven. >>> Gebruik containers en verpakking dat geen geurtjes afgeeft.

- De etenswaren zijn in niet-afgedekte containers verpakt. >>> Bewaar de etenswaren in afgedekte containers. Micro-organismen kunnen zich verspreiden uit niet afgedekte etenswaren en onaangename geurtjes veroorzaken.
- Verwijder alle verstreken of bedorven etenswaren uit het product.

De deur sluit niet.

- Er zijn mogelijk etenswaren die de deur blokkeren. >>> Verplaats eventuele etenswaren die de deur blokkeren.
- Het product staat niet loodrecht op de grond. >>> Pas de voetjes aan om het product in evenwicht te brengen.
- Het oppervlak is niet vlak of stevig >>> Zorg ervoor dat het oppervlak vlak is en voldoende stevig om het product te dragen.

De crisper is geblokkeerd.

- De etenswaren kunnen in contact staan met de bovenste sectie van de lade. >>> Herorganiseer de etenswaren in de lade.

DISCLAIMER / WAARSCHUWING

Sommige (eenvoudige) defecten kunnen correct worden behandeld door de eindgebruiker zonder dat dit aanleiding geeft tot veiligheidsproblemen of een onveilig gebruik, op voorwaarde dat ze worden uitgevoerd binnen de limieten en in overeenstemming met de volgende instructies (zie het hoofdstuk "Zelf-reparatie").

Om die reden, tenzij anderszits toegelaten in het onderstaande hoofdstuk 'Zelf-reparatie', moeten reparaties worden uitgevoerd door geregistreerde professionele monteurs om veiligheidsproblemen te voorkomen. Een geregistreerde professionele monteur is een professionele monteur die toegang heeft gekregen tot de instructies en de lijst met reserveonderdelen van dit product door de fabrikant, in overeenstemming met de methoden beschreven in wetsbesluiten in overeenstemming met Richtlijn 2009/125/EC.

De temperatuur op het oppervlak van het product.

- De hoge temperatuur wordt mogelijk gehandhaafd tussen beide deuren, op de zijpanelen en op het rooster achteraan terwijl het product is ingeschakeld. Dit is normaal en vereist geen interventie van het onderhoudspersoneel.

De ventilator blijft ingeschakeld wanneer de deur is geopend.

- De ventilator blijft ingeschakeld wanneer de deur van de diepvriezer is geopend.



WAARSCHUWING! Als het probleem aanhoudt nadat de instructies in dit hoofdstuk werden nageleefd, kunt u contact opnemen met uw verkoper of een geautoriseerde dienst. Probeer het product nooit zelf te repareren. Dit is normaal.

Hoewel, de onderhouds- en reparatiewerken in het kader van de garantievoorwaarden mogen uitsluitend worden uitgevoerd door de gespecialiseerd vertegenwoordiger (m.a.w. geautoriseerde professionele monteurs) die u kunt bereiken via het telefoonnummer vermeld in de gebruikshandleiding/garantiekaart of via uw geautoriseerde verdeler. Om die reden zullen reparaties die worden uitgevoerd door professionele monteurs (die niet zijn geautoriseerd door) Beko de garantie nietig verklaren.

Zelf-reparatie

De eindgebruiker kan de volgende reserveonderdelen zelf repareren: deur handgrepen, scharnieren, schotels, manden en deurpakkingen (een bijgewerkte lijst is ook beschikbaar support.beko.com vanaf 1 maart 2021).

Bovendien, om de veiligheid van het product te garanderen en het risico van ernstig letsel te voorkomen, moet de vermelde zelf-

reparatie worden uitgevoerd in overeenstemming met de instructies in de handleiding voor zelf-reparatie of die beschikbaar zijn in support.beko.com . Uit veiligheids-overwegingen moet u de stekker van het product loskoppelen voor u zelf-reparatie probeert uit te voeren.

Reparaties en pogingen tot reparaties door eindgebruikers van onderdelen die niet zijn omvat in deze lijst en/of waarbij de instructies in de handleiding voor zelf-reparatie of die beschikbaar zijn in support.beko.com niet worden nageleefd, kunnen resulteren in veiligheidsproblemen die niet kunnen worden toegewezen aan Beko en deze zullen de garantie van het product nietig verklaren.

Om die reden raden wij ten stelligste af dat eindgebruikers op eigen houtje reparaties proberen uit te voeren die buiten de vermelde lijst van reserveonderdelen vallen en in dergelijke situaties beroep doen op een geautoriseerde professionele monteur of geregistreerde professionele monteurs. Dergelijke pogingen van eindgebruikers kunnen daarentegen veiligheidsproblemen en schade aan het product veroorzaken en resulteren in brand, overstromingen, elektrische schokken en ernstig persoonlijk letsel.

Bijvoorbeeld, maar niet beperkt tot, moeten de volgende reparaties worden uitgevoerd door geautoriseerde of geregistreerde professionele monteurs: compressoren koelcircuit, moederbord, inverterbord, weergavepaneel,, etc.

De fabrikant/verkoper kan niet aansprakelijk worden gesteld wanneer eindgebruikers de bovenstaande instructies niet naleven.

De reserveonderdelen van uw koelkast die u hebt gekocht, zullen 10 jaar lang beschikbaar blijven. Tijdens deze periode zijn de originele reserveonderdelen beschikbaar voor de correcte werking van de koelkast. De minimale duur van de garantie van de koelkast die u hebt gekocht, is 24 maanden.

Dit product is uitgerust met een lichtbron van de "G"-energieklasse.

De lichtbron in dit product mag enkel worden vervangen door een professionele reparateur.

Zie ook

2 CLAUSE DE NON-RESPONSABILITÉ / AVERTISSEMENT [} 81]

NL

