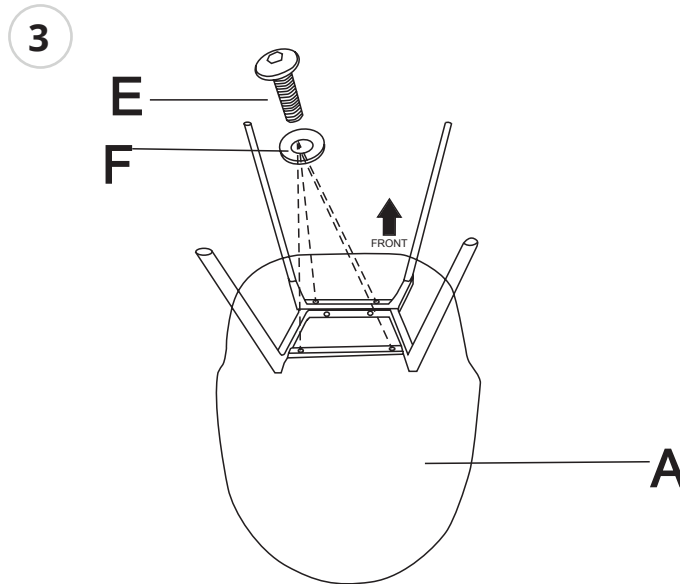
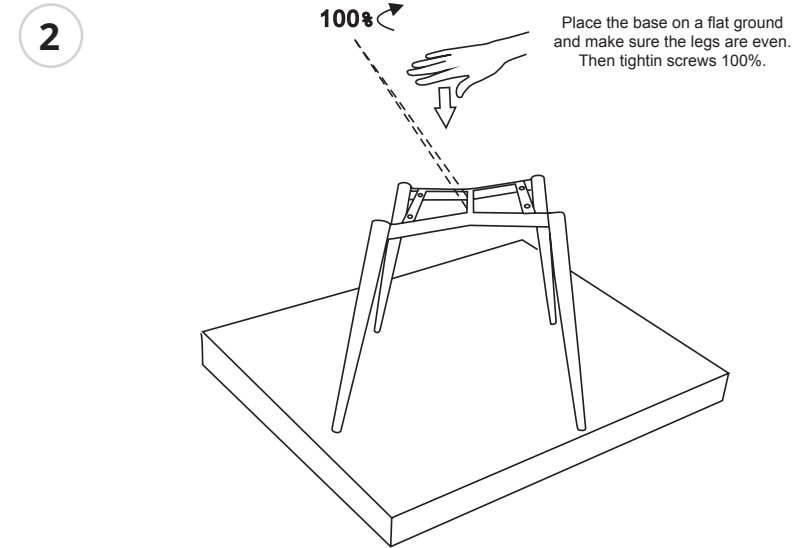
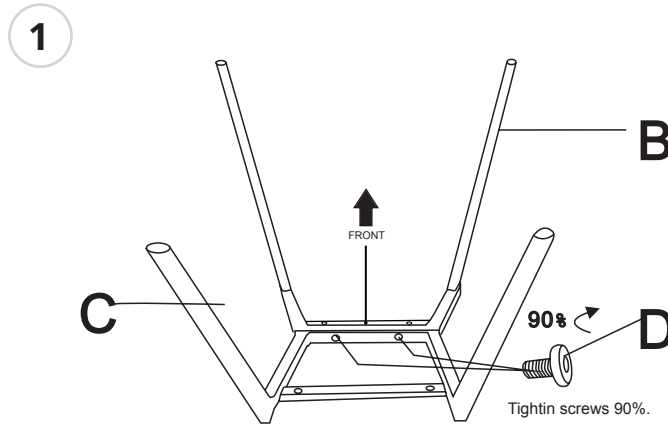


Assembly instruction | Velvet chair with cushion



Included parts

A x1	B x1
C x1	D x2 (M8*16)
E x4 (M6*25)	F x4 (M6*16*1)
G x1	

Notes

- We recommend that you re-tighten the screws after a while for optimum retention of your chair.

