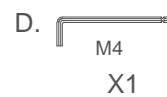
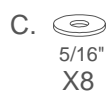
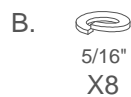
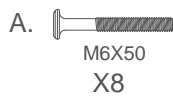


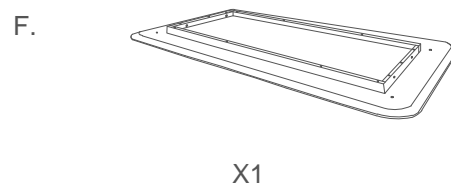
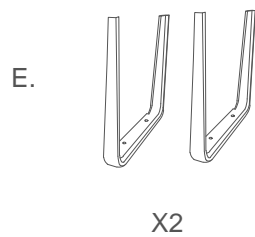
ASSEMBLY INSTRUCTIONS

Please read the instructions carefully for correct and safe assembly.

1 HARDWARE



2 COMPONENT

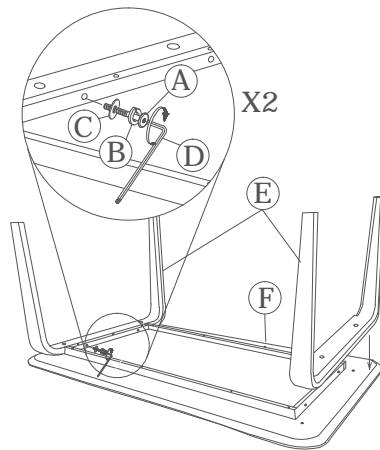


ASSEMBLY INSTRUCTIONS

Please read the instructions carefully for correct and safe assembly.

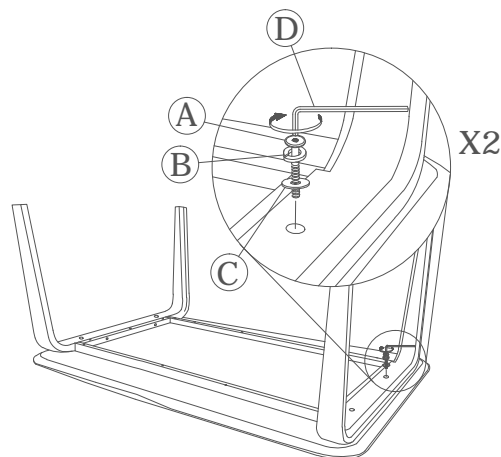
3

STEP 1



4

STEP 2



Article number 1001657

ASSEMBLY INSTRUCTIONS

Please read the instructions carefully for correct and safe assembly.



COMPLETE ASSEMBLY