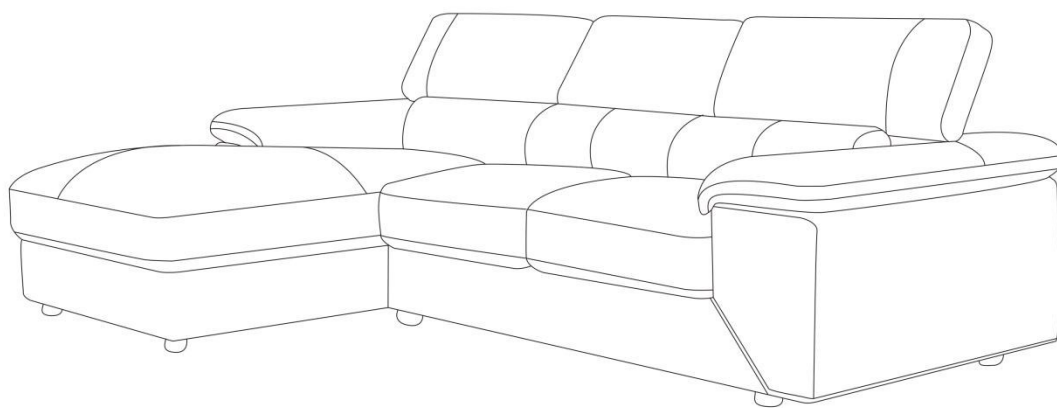
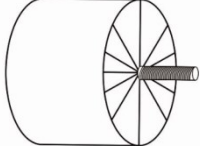




# LONDON

1310\_76429/1310\_78795/1310\_78687/1310\_137579

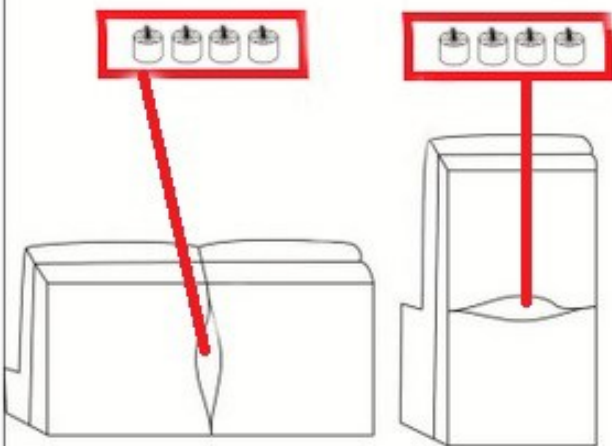


1310_76429 1310_78795 1310_78687				
A		50 mm	X 8	1/2 AND 2/2
B		166 X 100 X 65cm	X1	1/2
C		103 X165 X65	X1	2/2

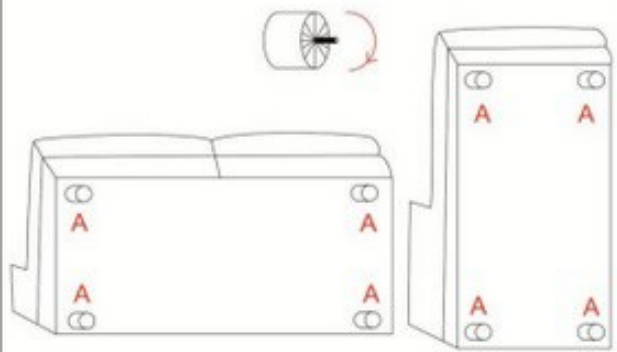
FR : SAV/INFORMATION /VIDEO/CONTACT  
 EN: AFTER-SALES SERVICE/INFORMATION/VIDEO/CONTACT  
 DE : REPARATUR-SERVICE UND ERSATZTEILE /INFORMATIONEN /VIDEO/KONTAKT  
 ES: SERVICIO POST-VENTA/INFORMACIÓN/VIDEO/CONTACTO  
 IT: SERVIZIO ASSISTENZA/INFORMAZIONI/VIDEO/CONTATTO  
 PT: SERVIÇO PÓS-VENDA/INFORMAÇÕES/VIDEO/CONTATO  
 PL: SERWIS TECHNICZNY/INFORMACJE/WIDEO/KONTAKT  
 NE: AFTER SALES SERVICE/INFORMATIE/VIDEO/CONTACT  
 HE: עם לתקשר/הווידיאו/ מידע/ומכירות שירות לאחר

**SAV.HABITATETJARDIN.COM**

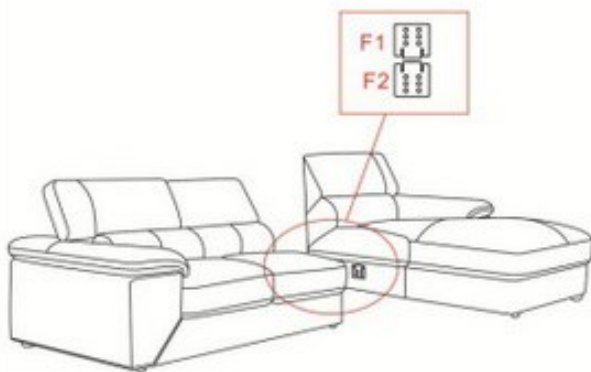
1



2



3



4

