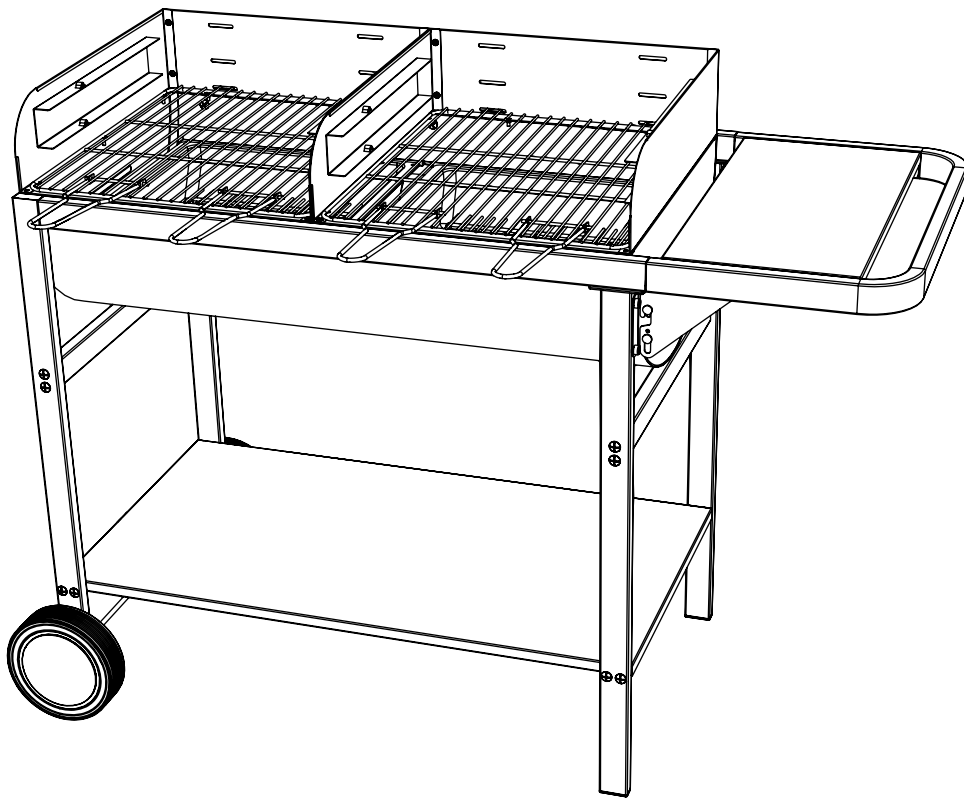
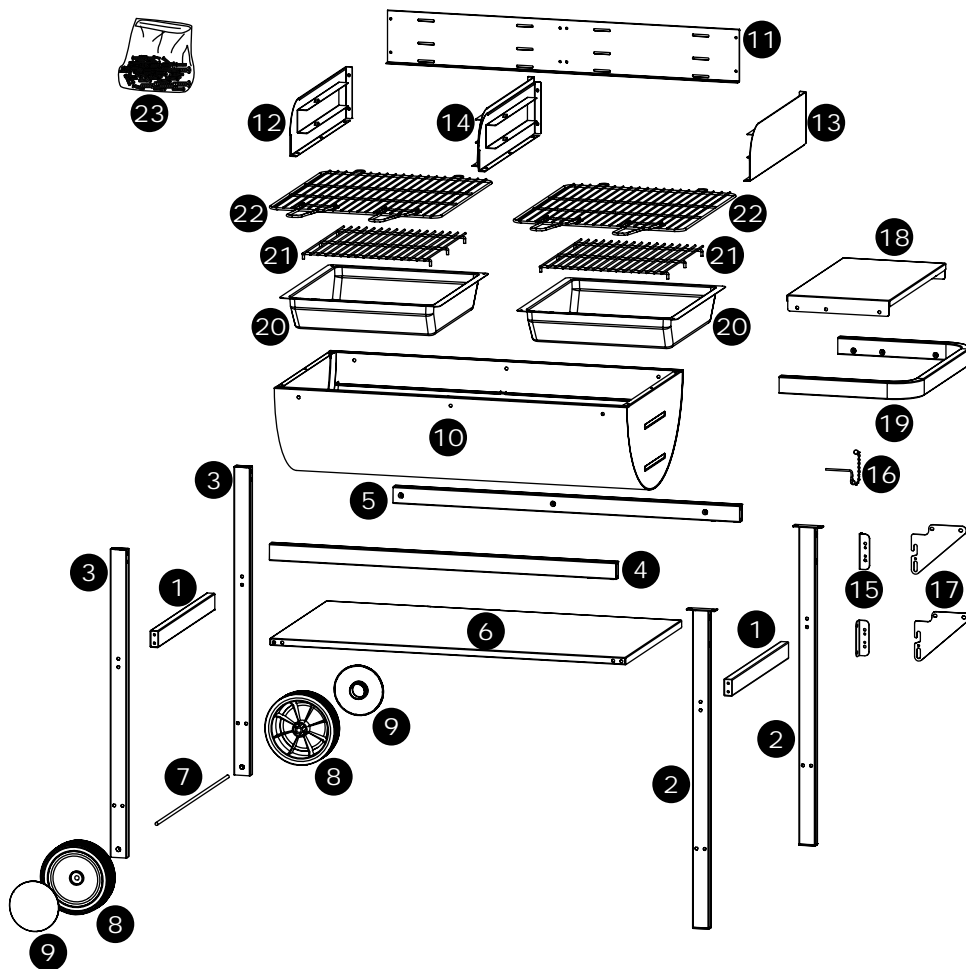




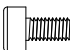
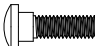









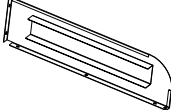

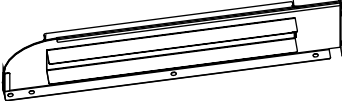

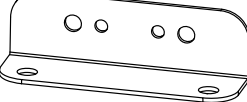
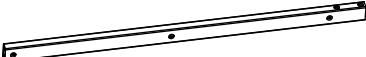
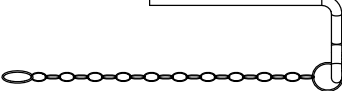

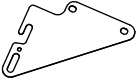

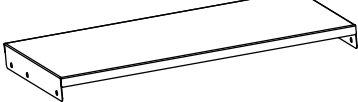
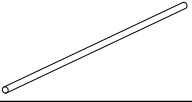



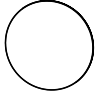
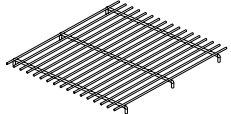

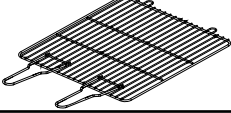
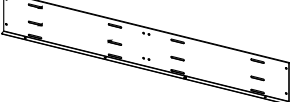

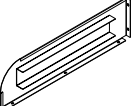
TOM 348547i EN





	Ø6X50	x4
	Ø6X30	x16
	Ø4X12	x12
	Ø4X8	x8
	Ø6x12	x20
	Ø6x17	x4

	Ø6	x12
	Ø4	x20
	Ø6	x19
	Ø4	x20
	Ø10	x2
	n°5	x1

1		x2	13		x1
2		x2	14		x1
3		x2	15		x2
4		x1	16		x1
5		x1	17		x2
6		x1	18		x1
7		x1	19		x1
8		x2	20		x2
9		x2	21		x2
10		x1	22		x2
11		x1	23		x1
12		x1			

