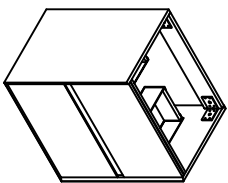
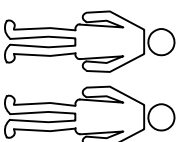
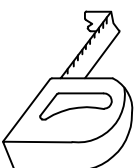
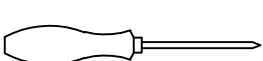
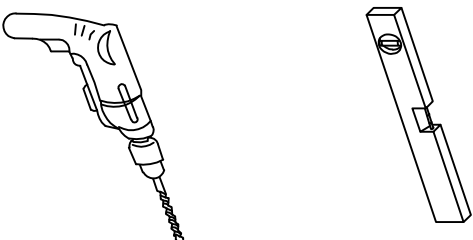
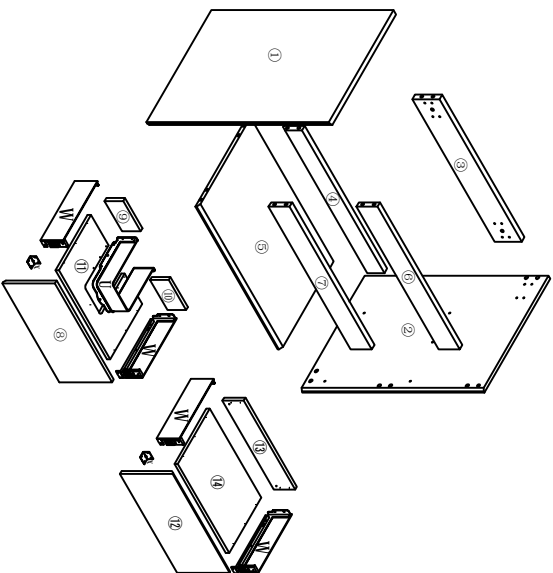


YS-TC812



Order	(L*W) MM
①	460*519=1
②	460*519=1
③	760*78=1
④	760*78=1
⑤	460*788=1
⑥	760*60=1
⑦	760*60=1
⑧	756*235=1
⑨	300*84=1
⑩	300*84=1
⑪	740*283.5=1
⑫	756*235=1
⑬	740*84=1
⑭	740*283.5=1

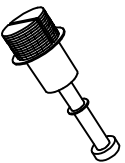


**A**



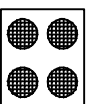
∅15\*13mm  
=19

**V**



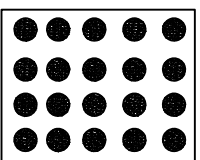
∅8\*40mm  
=19

**P**



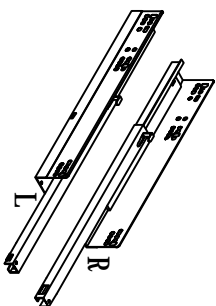
∅18\*4mm  
=4

**F**



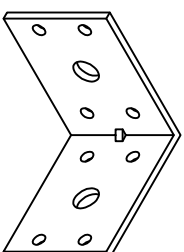
∅20\*0.3mm =35

**YG-A004**



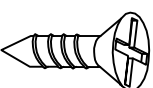
300\*40\*40mm  
=2

**H-H**



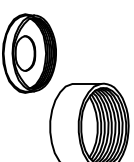
67\*67\*40mm  
=2

**I**



4\*14mm  
=83

**J**



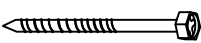
∅20\*8mm  
=2

**K**



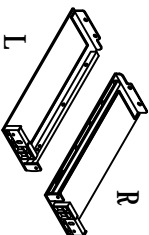
∅10\*43mm  
=2

**L**



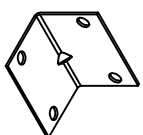
∅6\*70mm  
=2

**W**



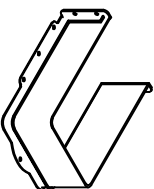
35\*300\*107mm  
=2

**X**



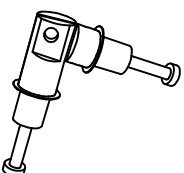
25\*25\*31mm  
=2

**U**



170\*240\*87mm  
=1

**AG**



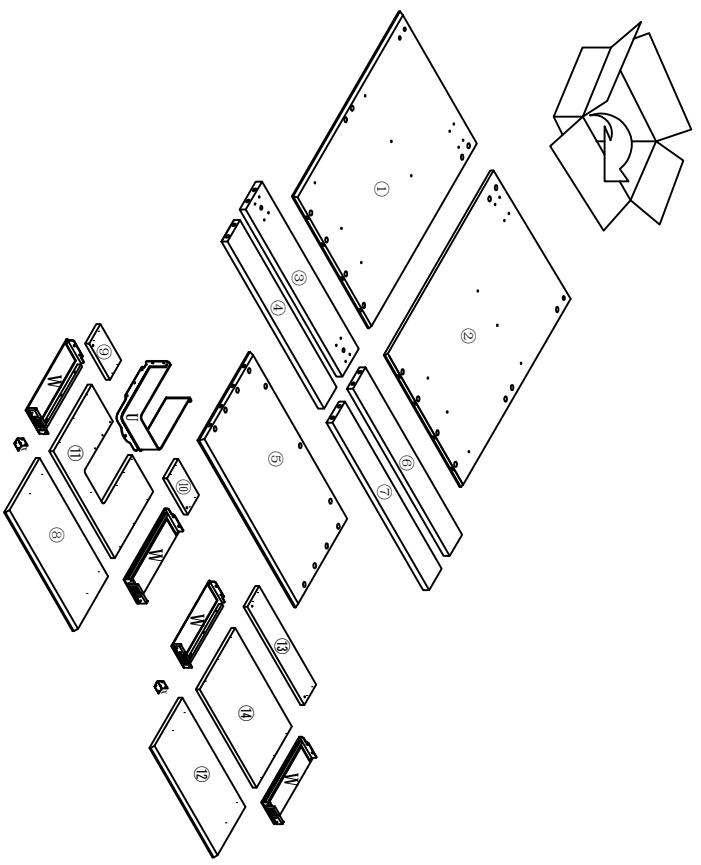
∅7\*35mm  
=8

**AH**

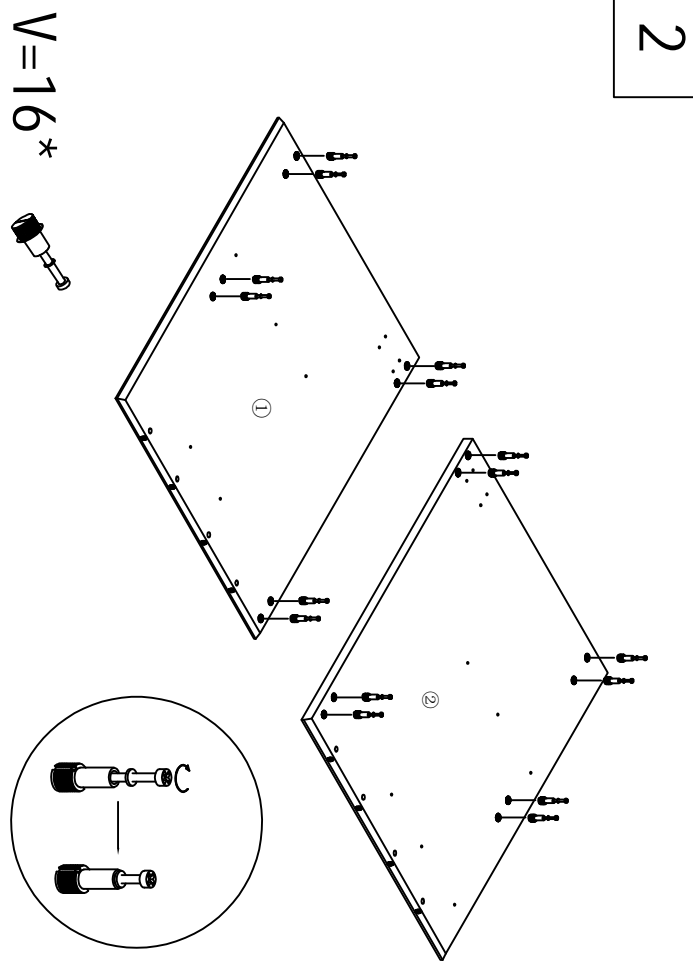


∅10\*9.5mm  
=16

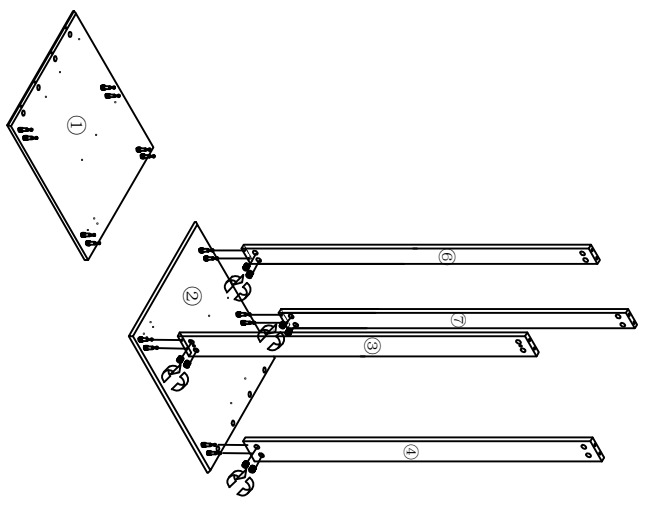
1



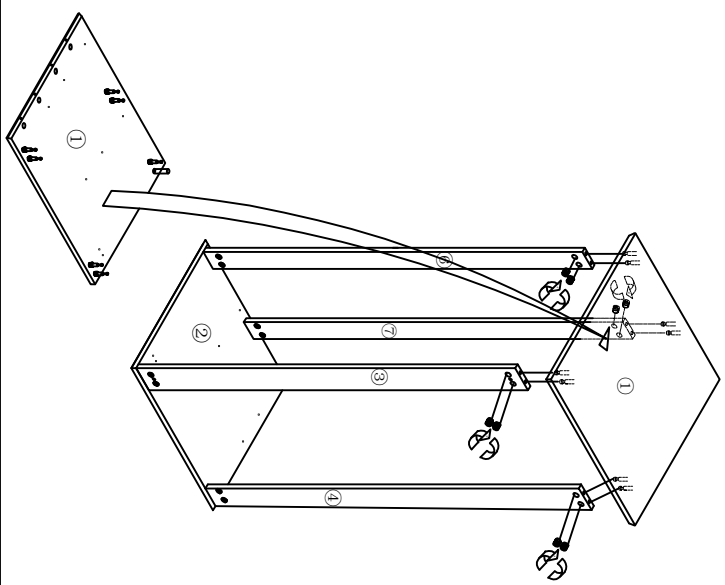
2



3



4



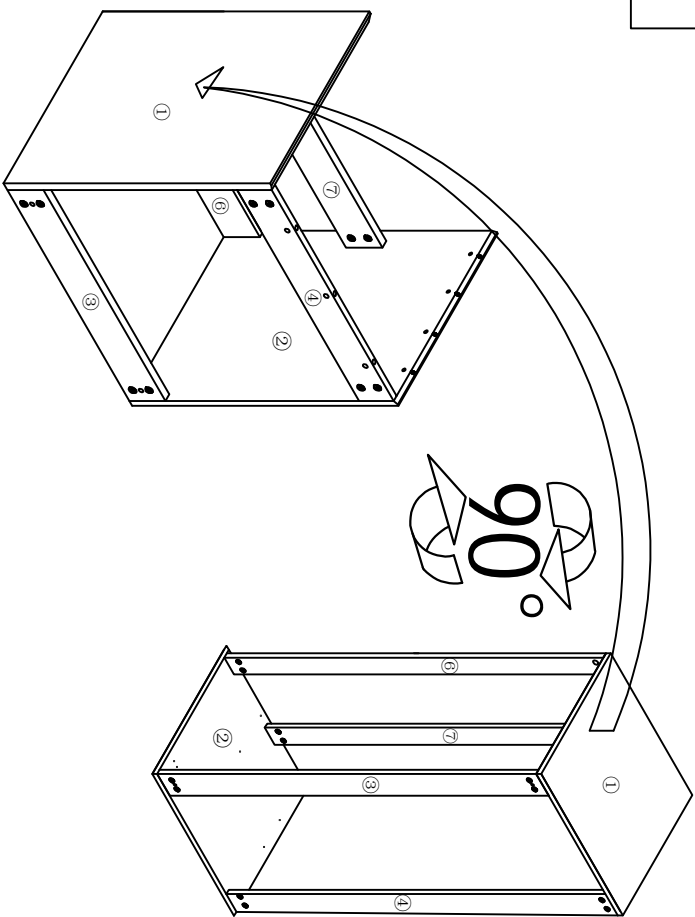
A=8\*



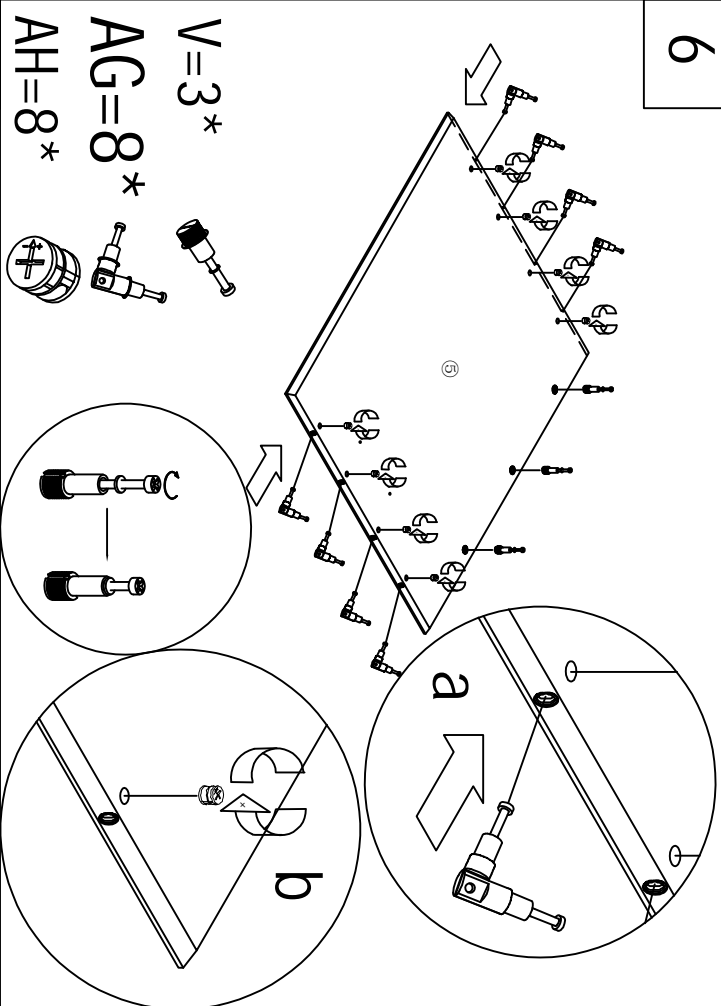
A=8\*



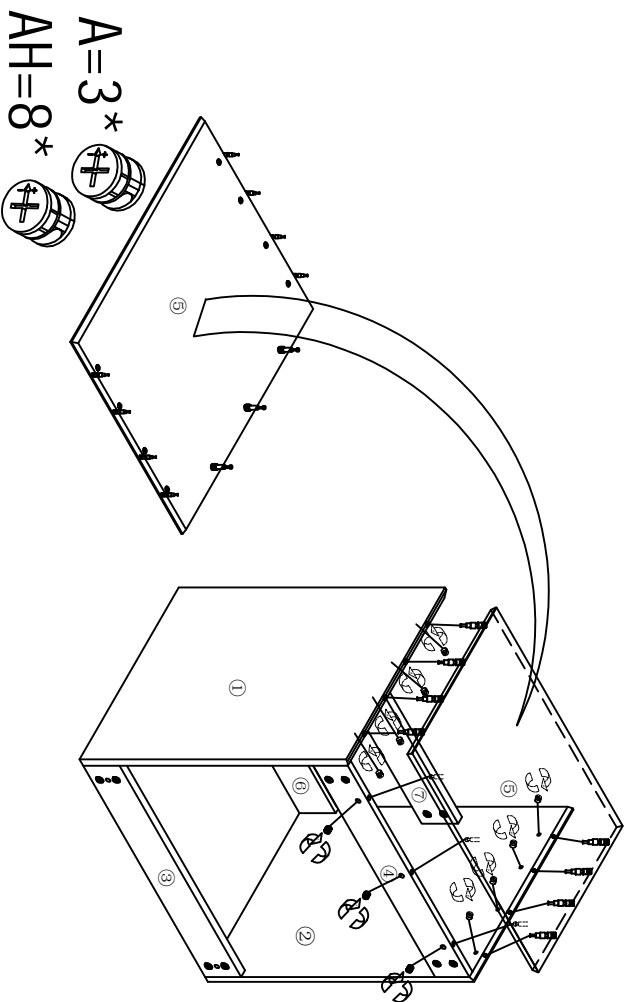
5



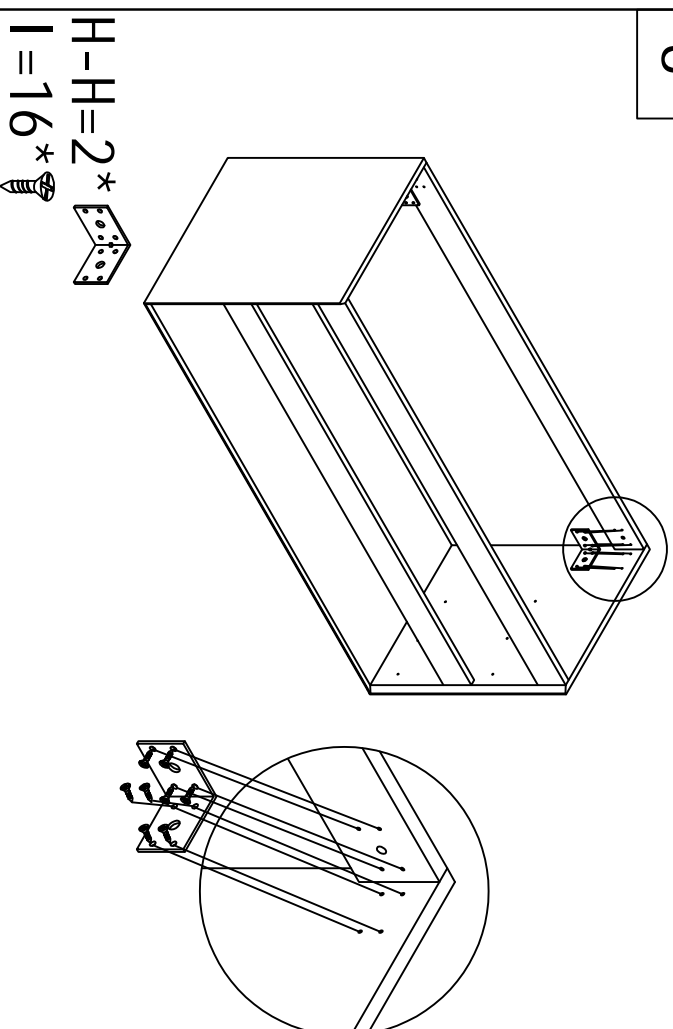
6



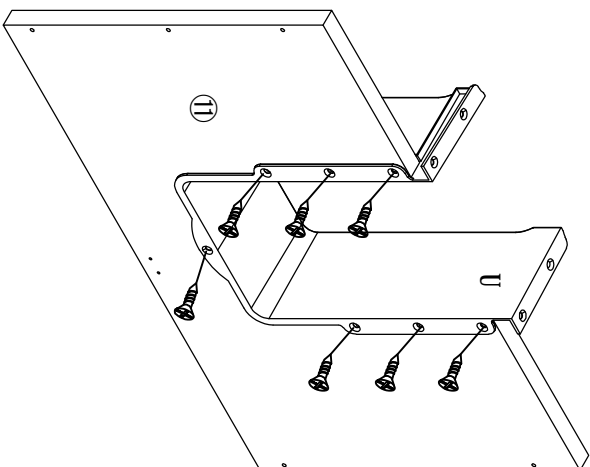
7




8

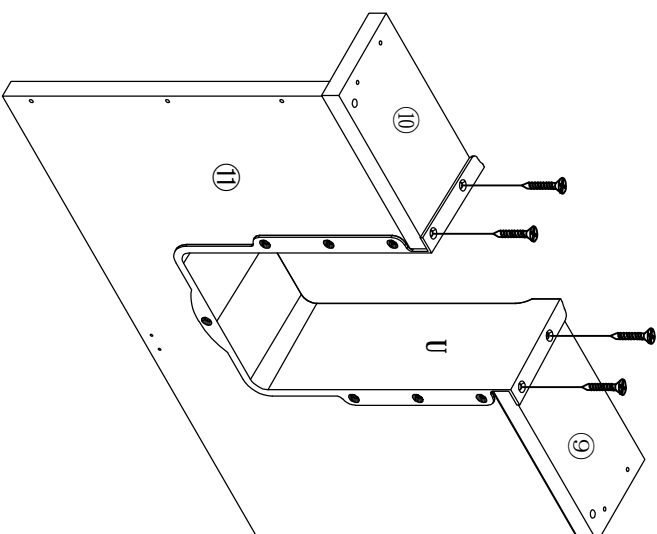


9



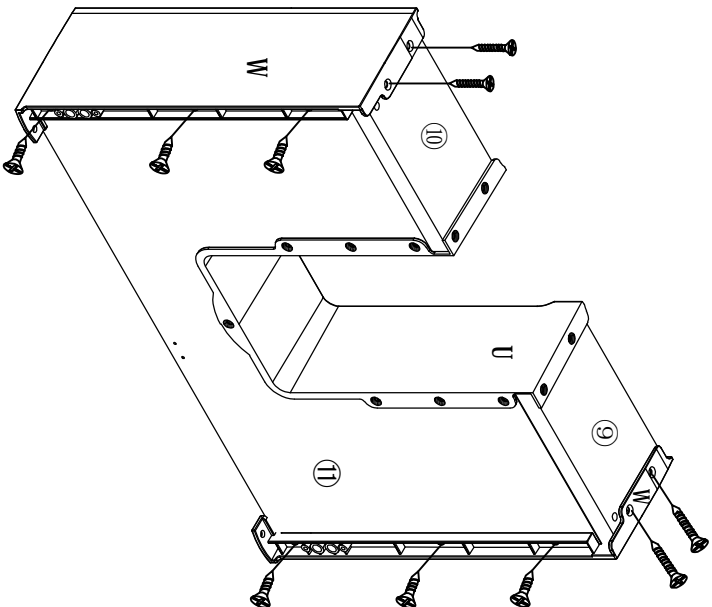
I = 7\* 

10



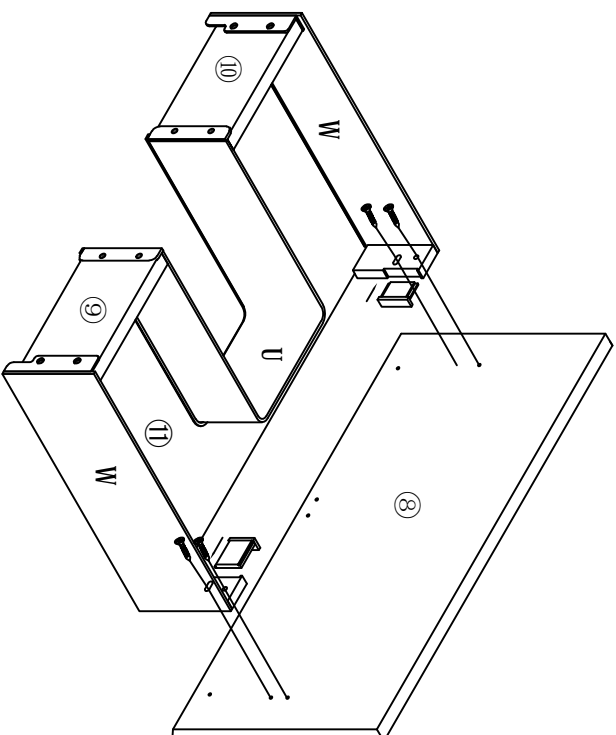
I = 4\* 


11



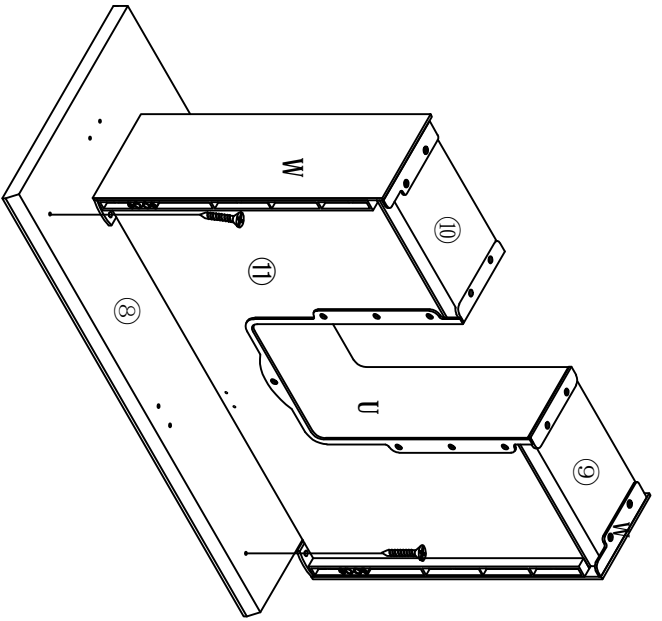
I = 10\* 


12



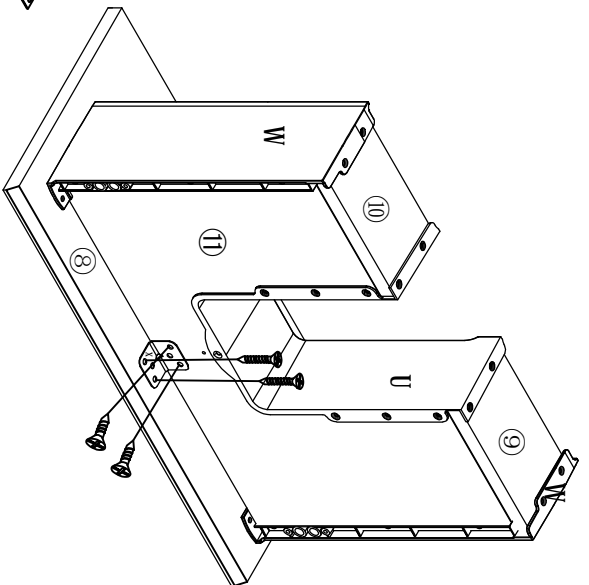
I = 4\* 

13



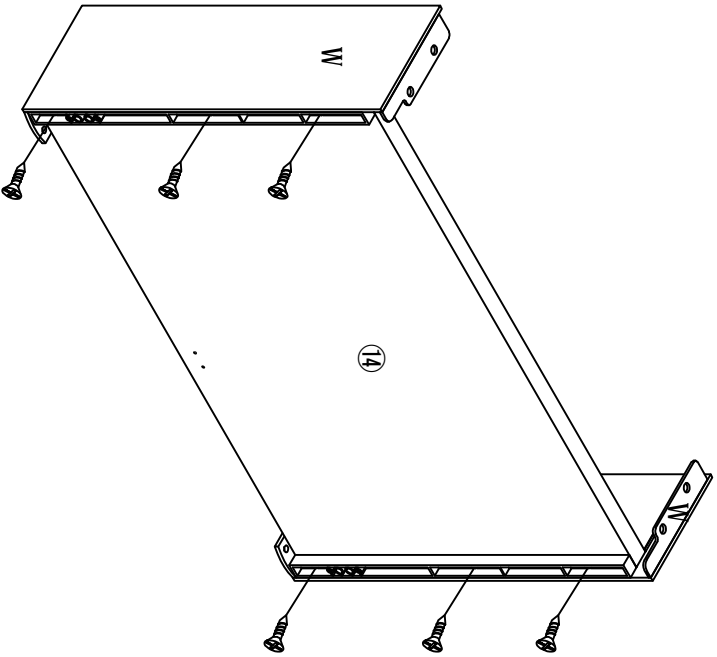
I = 2 \* 


14



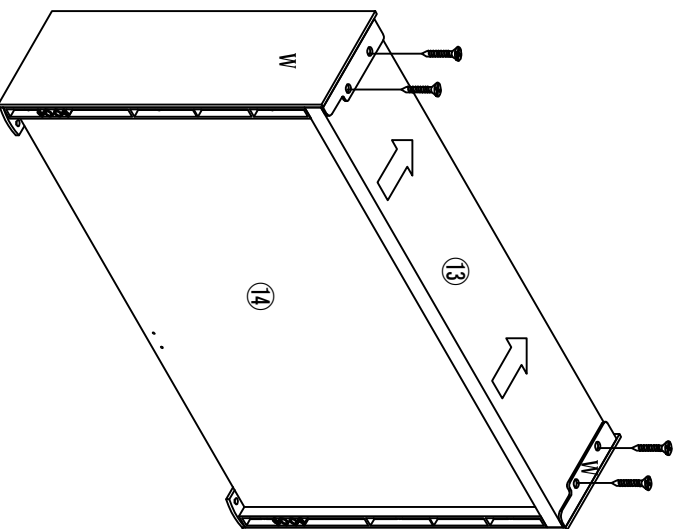
X = 1 \*   
I = 4 \* 

15



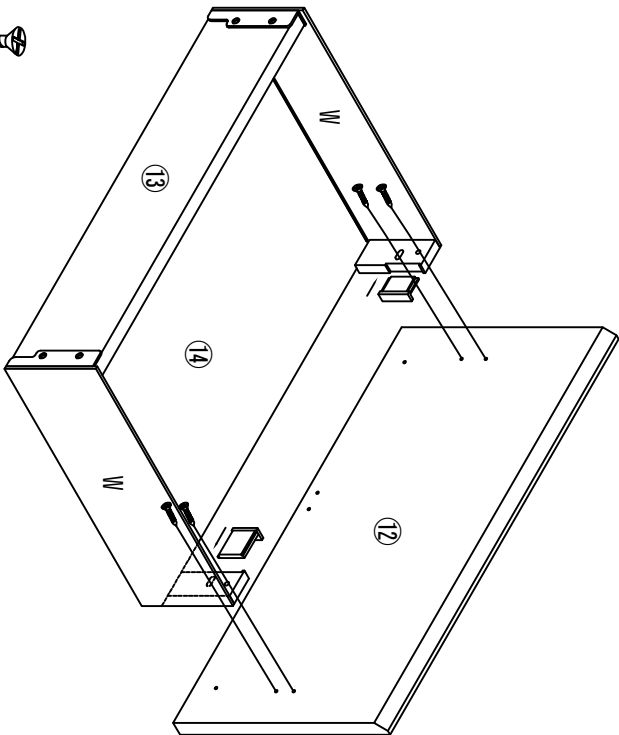
I = 6 \* 

16



I = 4 \* 

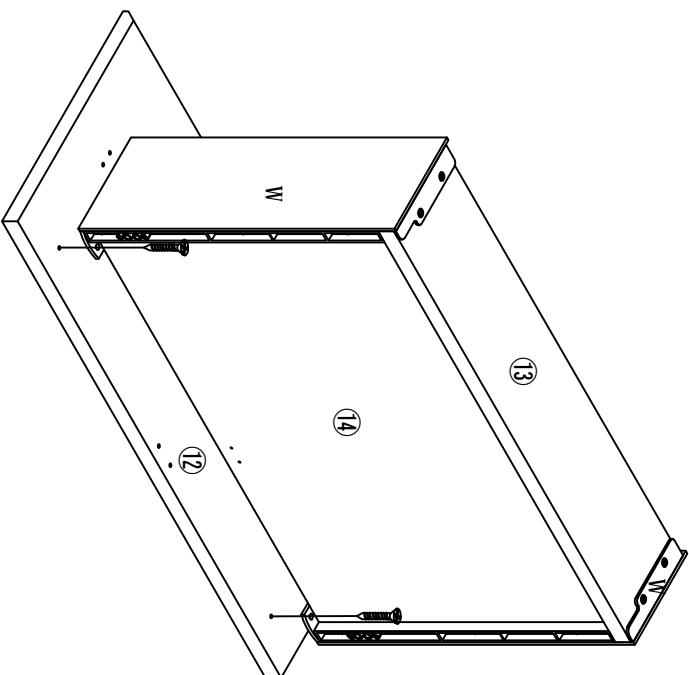
17



I = 4 \*



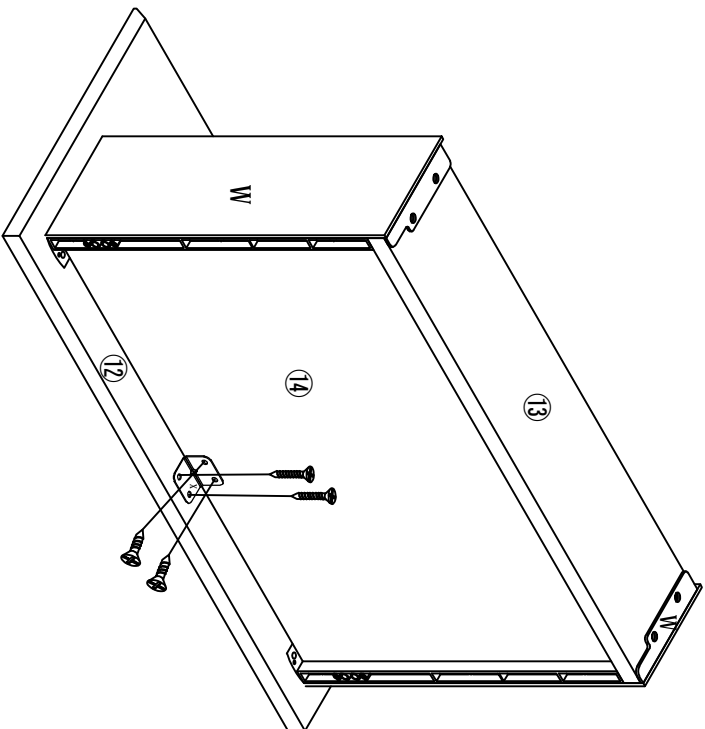
18



I = 2 \*

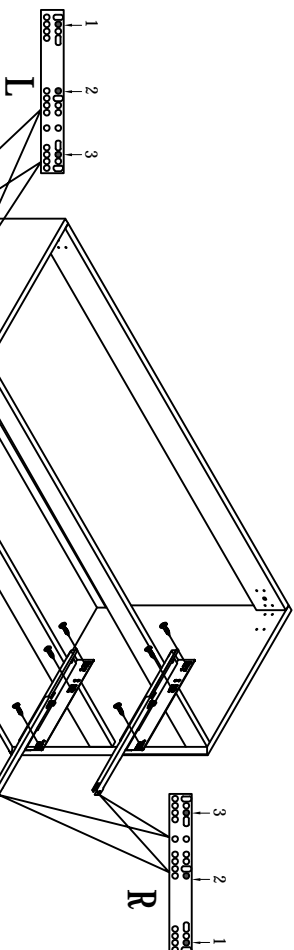


19



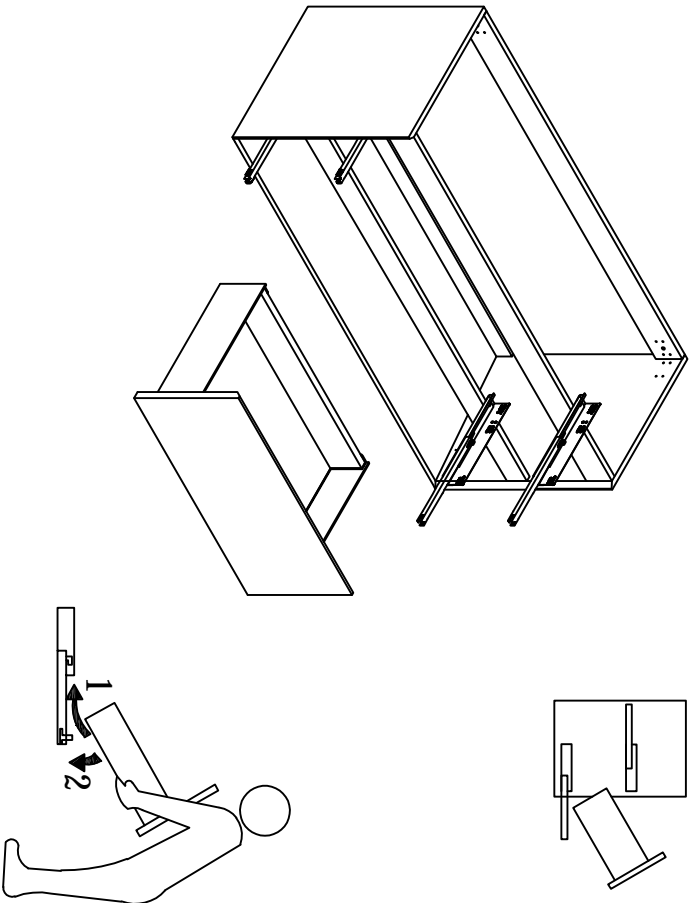
X = 1 \*  
I = 4 \*

20

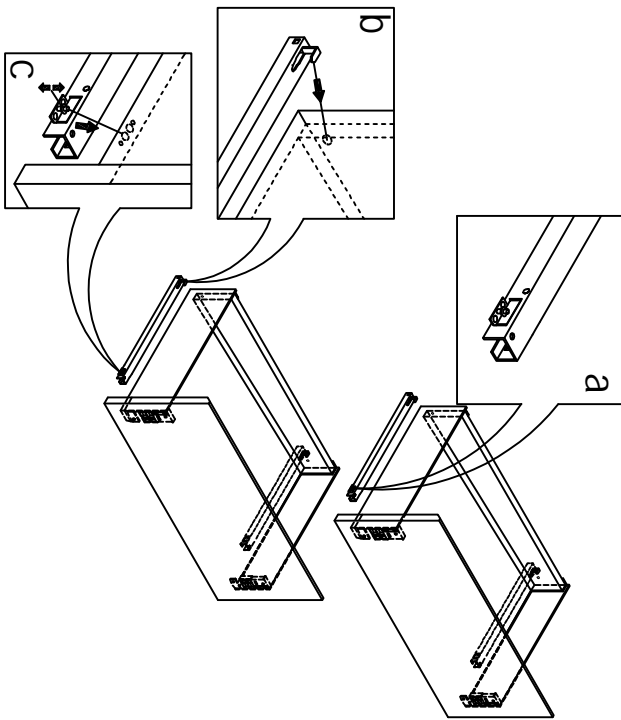


YG-A004 \*  
I = 12 \*

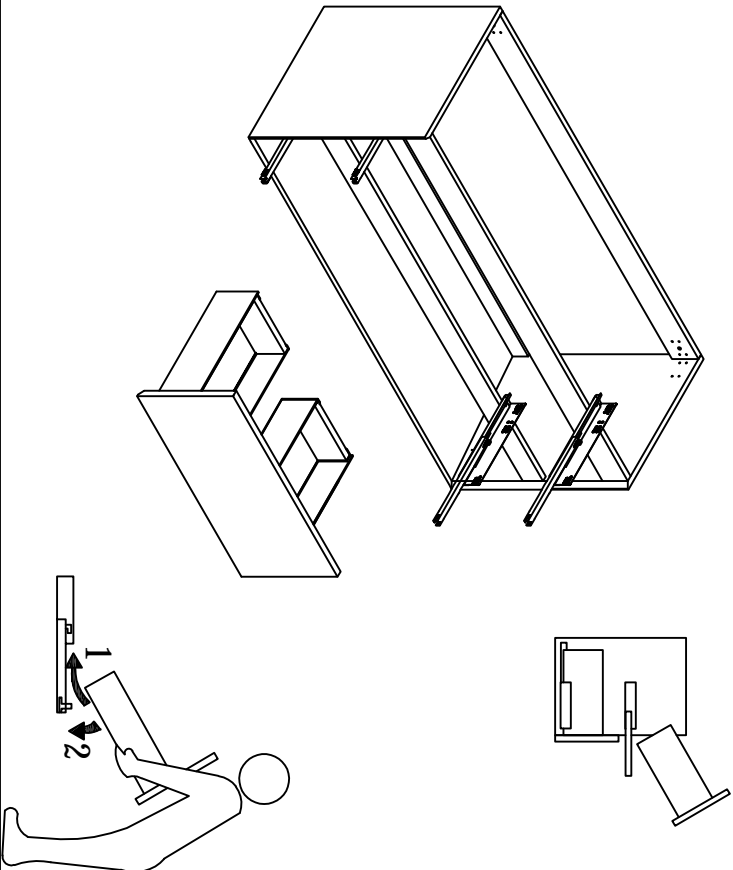
21



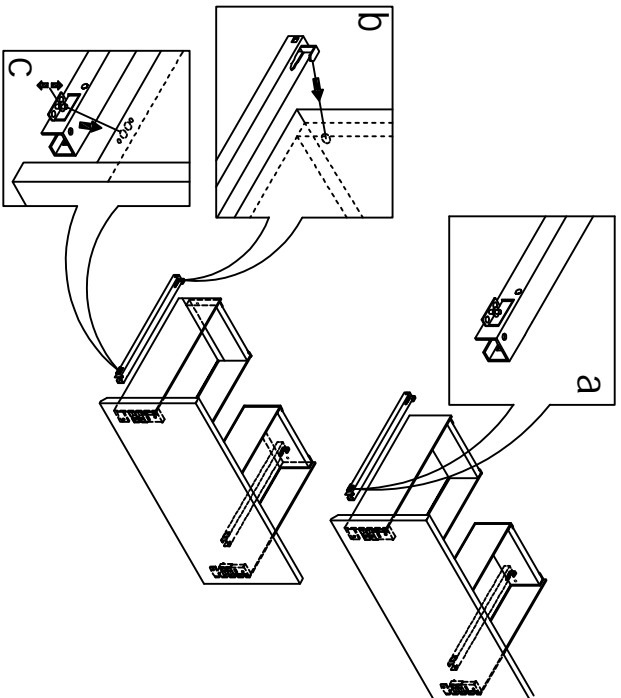
22



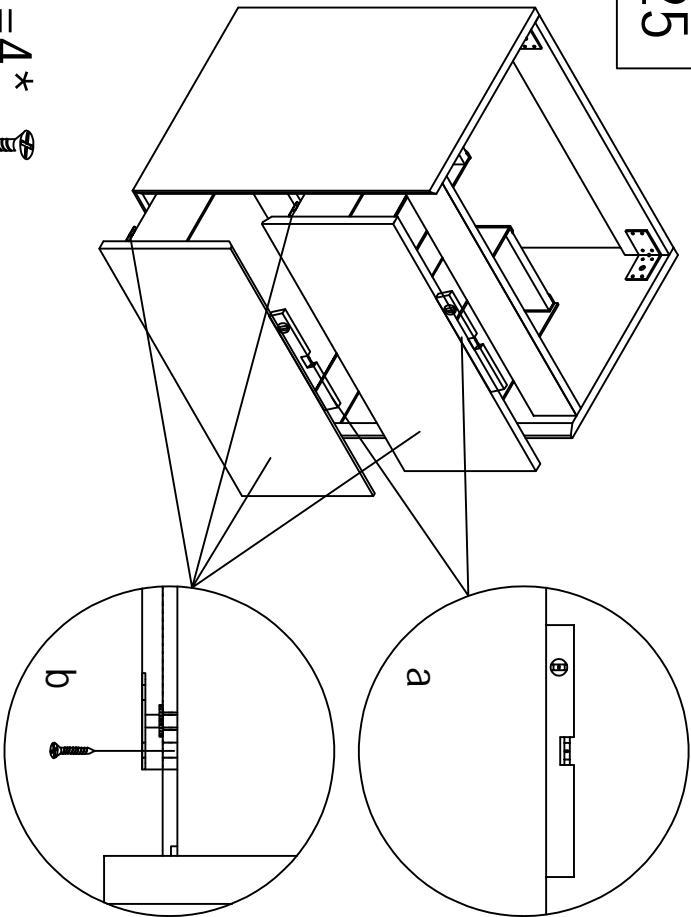
23



24



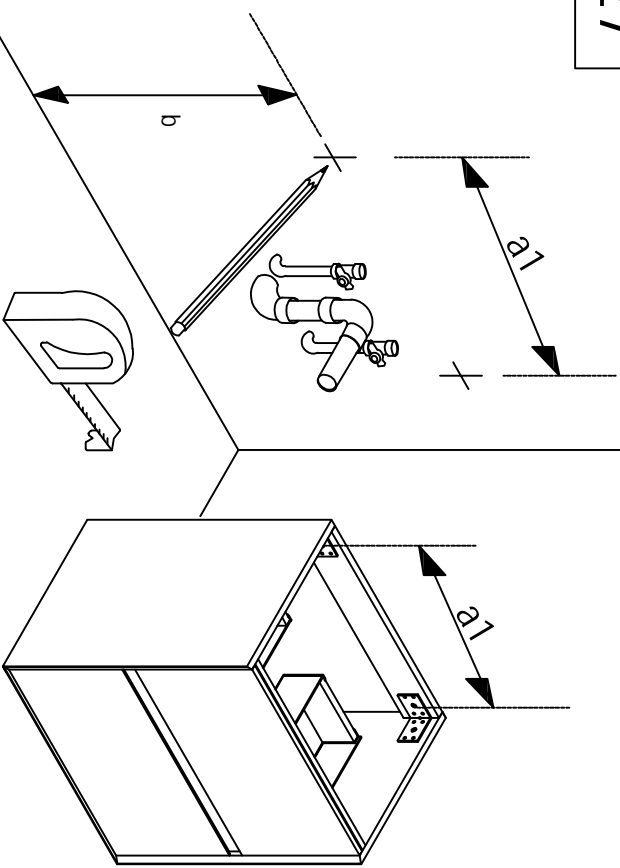
25



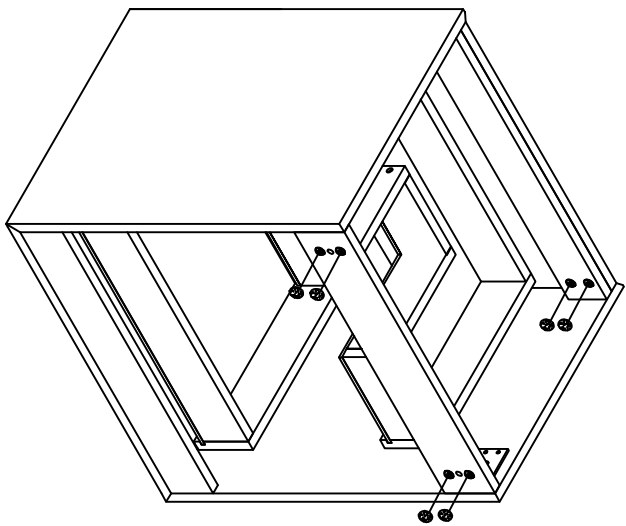
$I=4^*$



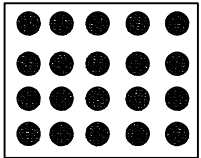
27



26

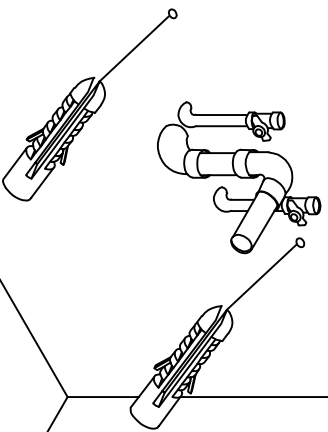


$F=35$



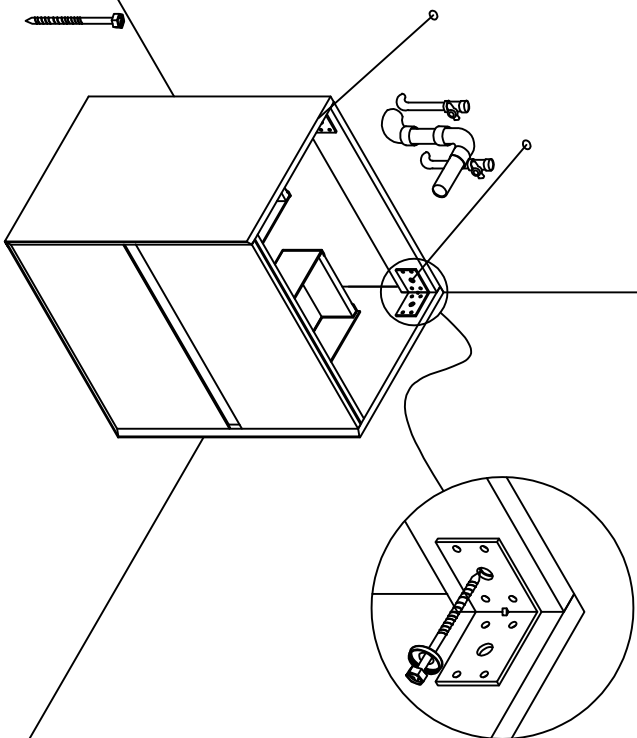
28

$K=2^*$



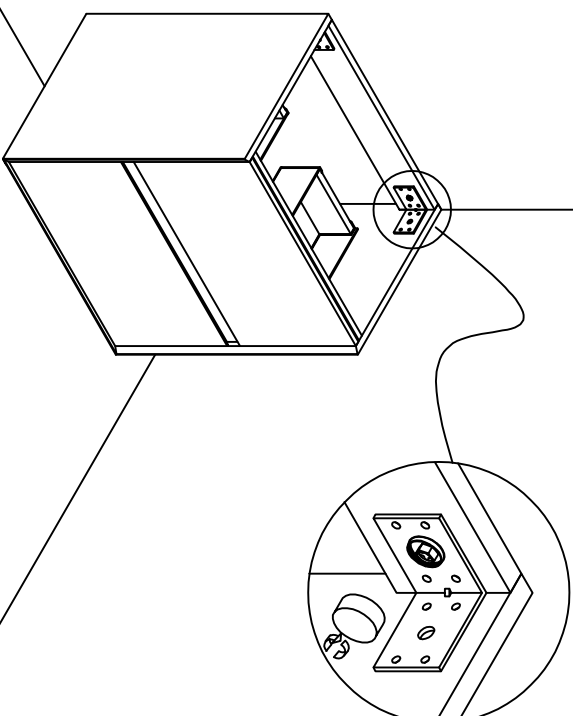
29

L=2\*  
J=2\*



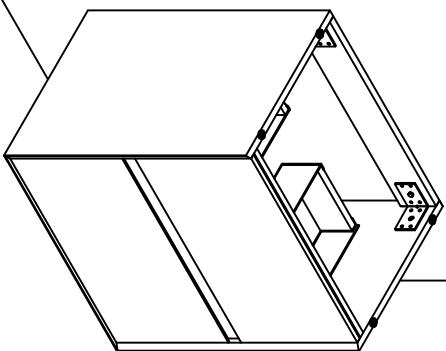
31

J=2\*



30

P=4



OK!