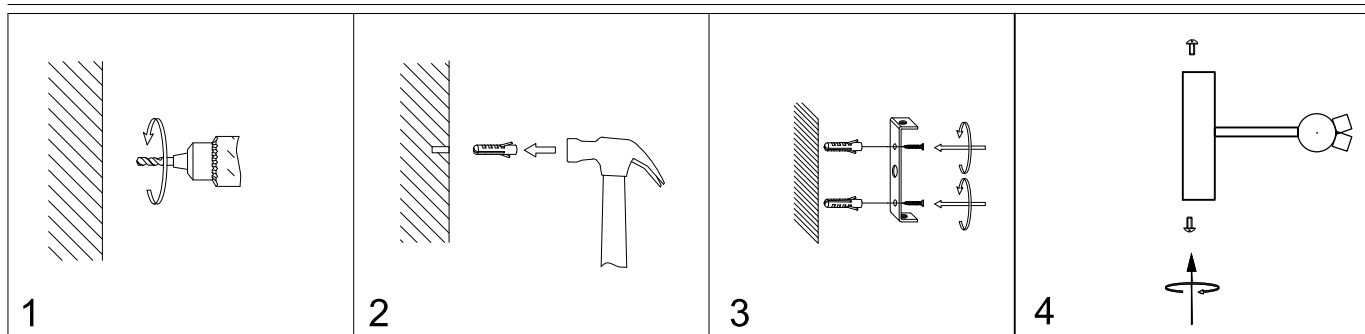
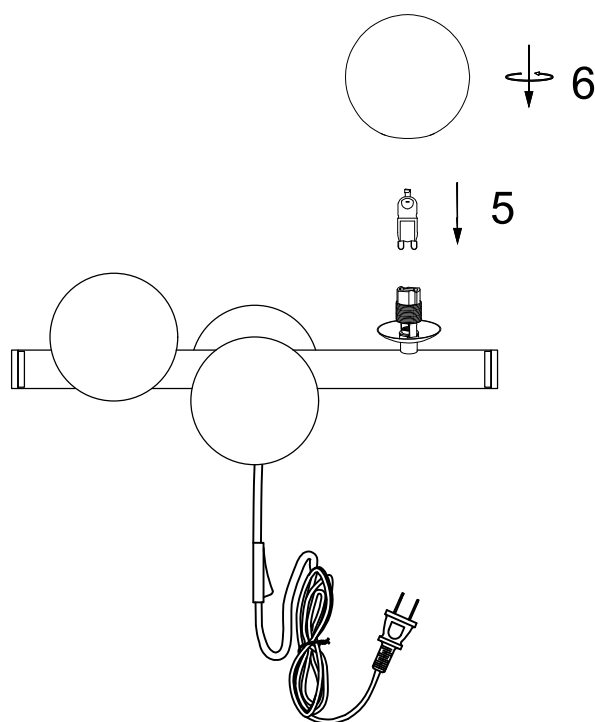
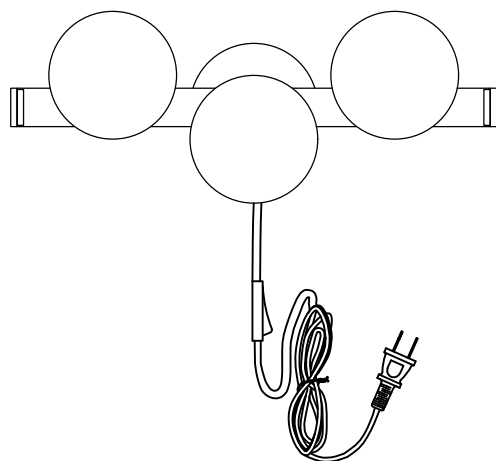


Assembly Instruction



Model:5400048
5400049



G9 3 x MAX 28W

ATTENTION:

1. In order to avoid getting hurt or scratching the finish while installing, please wear gloves.
2. Don't install any lighting fixture on a wet or not complete dry ceiling.
3. Don't leave the lighting fixtures close to acidic and alkaline chemicals or gases which are corrosive. Don't clean the lighting fixture with water. Please clean the lighting fixture using a piece of clean, dry, soft cloth. Otherwise the lighting fixture will get rusty.
4. Please be careful while installing the lampshades to avoid breakage.
5. Please install the lighting fixture under guidance of a professional electrician.
6. While installing, the power leads must be matched well and attached tightly. Make sure all the screws are tight enough before turning on the power, otherwise it will cause the electrical components to burn (because of the short circuit of the terminals).
7. Please turn off the power before installing, cleaning the lighting fixture or changing the bulbs.
8. Do not pull the wires to excessive exertion. Do not disassemble the electric wiring.
9. In order to avoid danger, a damaged electric wire/ terminal block should be replaced by a qualified electrician.