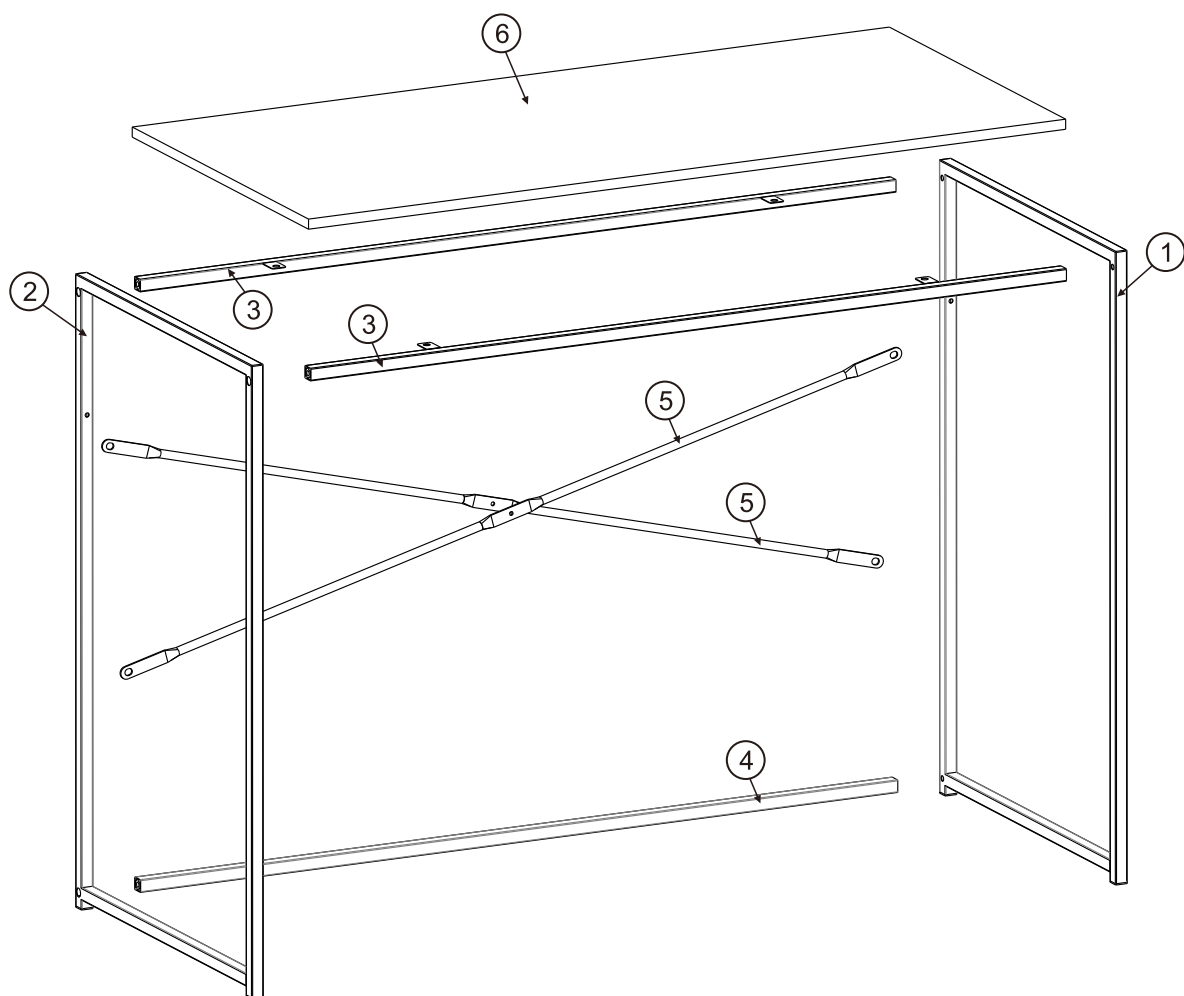





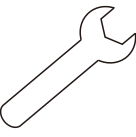
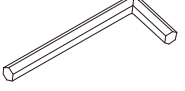




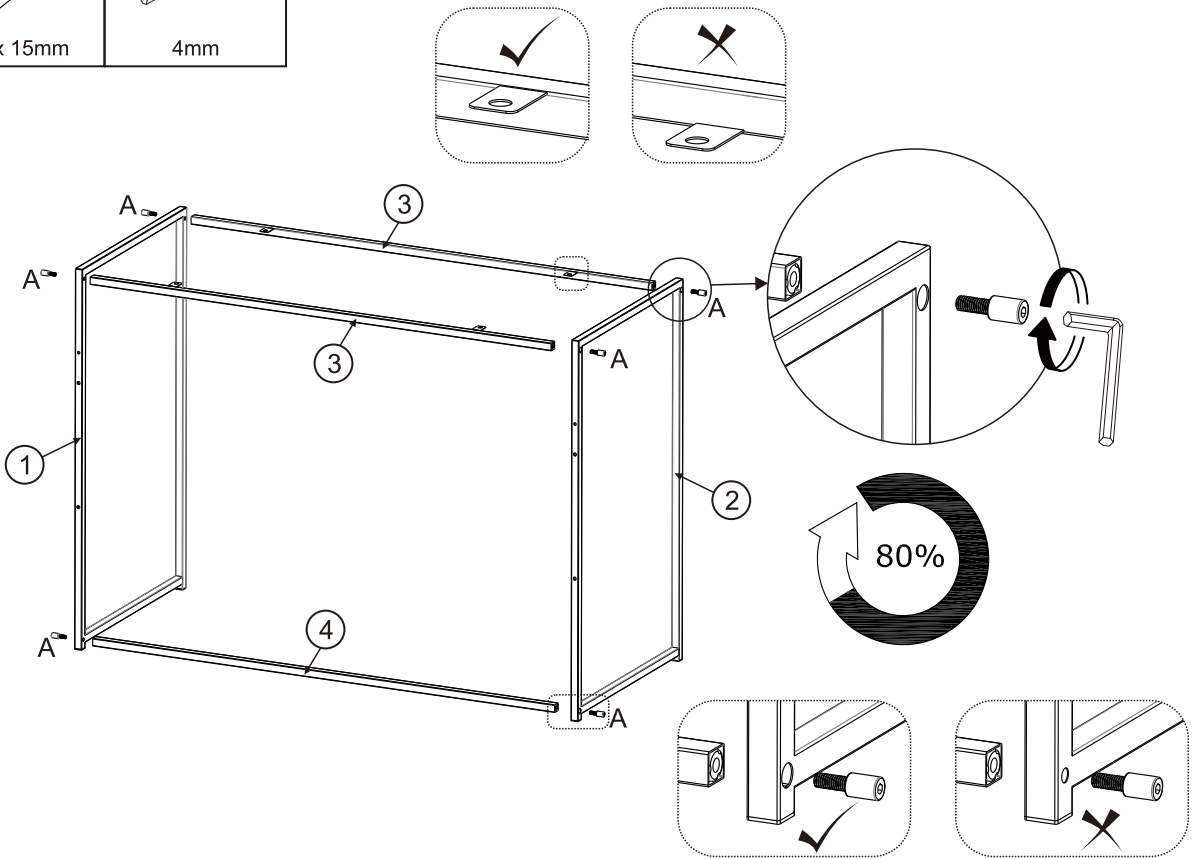
			✓
①	1	753 x 450 x 16	
②	1	753 x 450 x 16	
③	2	968 x 16 x 36	
④	1	968 x 16 x 16	
⑤	2	9.8 x 1035	
⑥	1	968 x 450 x 12	






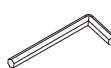
<p>A x 6</p>  <p>M6 x 15mm</p>	<p>B x 1</p>  <p>M6 x 15mm</p>	<p>C x 4</p>  <p>M6 x 9mm</p>	<p>D x 4</p>  <p>4.2 x 10mm</p>	<p>E x 1</p>  <p>M6</p>
<p>F x 1</p>  <p>M6</p>	<p>G x 1</p>  <p>4mm</p>			

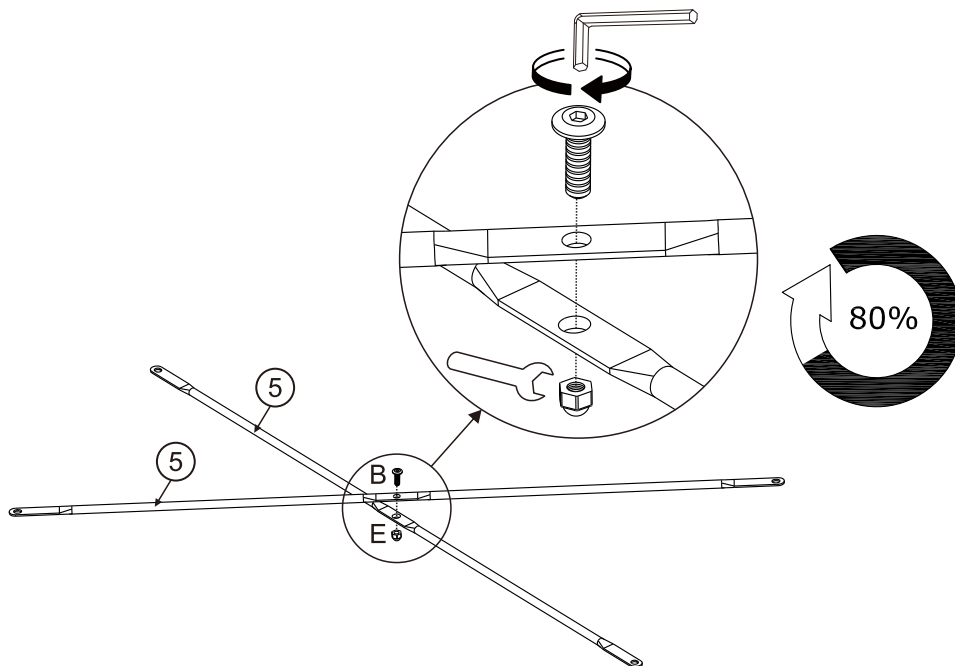
1

A x 6  M6 x 15mm	G x 1  4mm
---	---


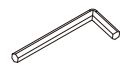


2

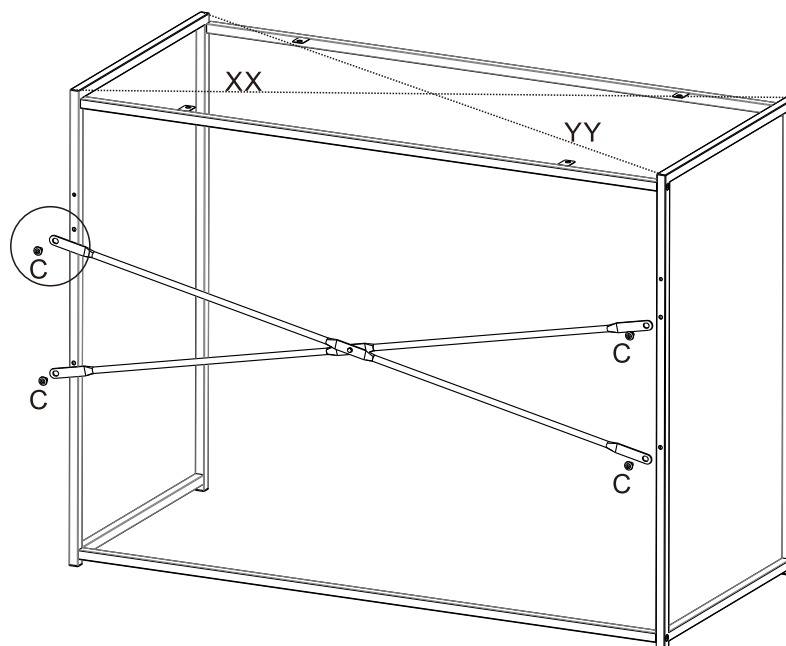
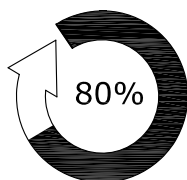
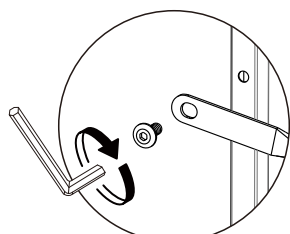
B x 1  M6 x 15mm	E x 1  M6	F x 1  M6	G x 1  4mm
---	--	--	---




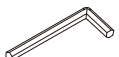
3

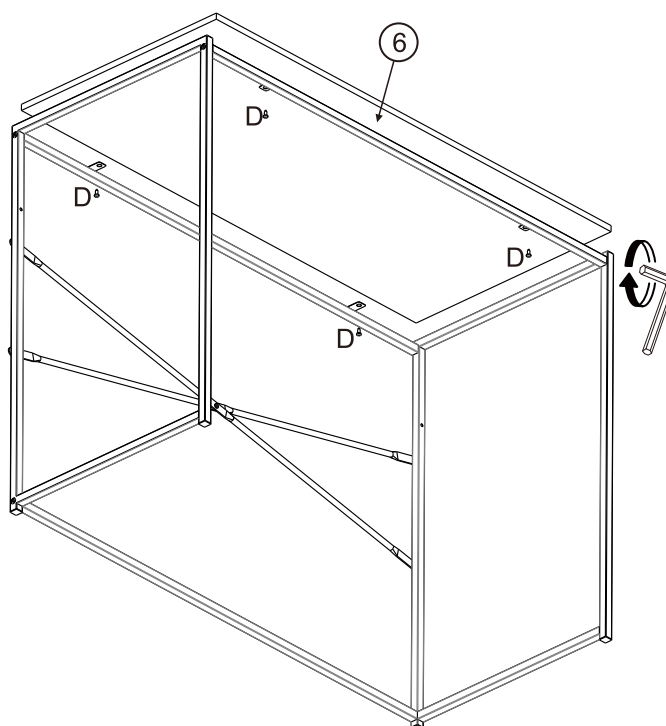
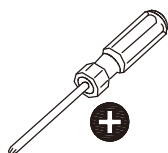
C x 4  M6 x 9mm	G x 1  4mm
--	---

 XX=YY



4

D x 4  4.2 x 10mm	F x 1  4mm
--	---



5

