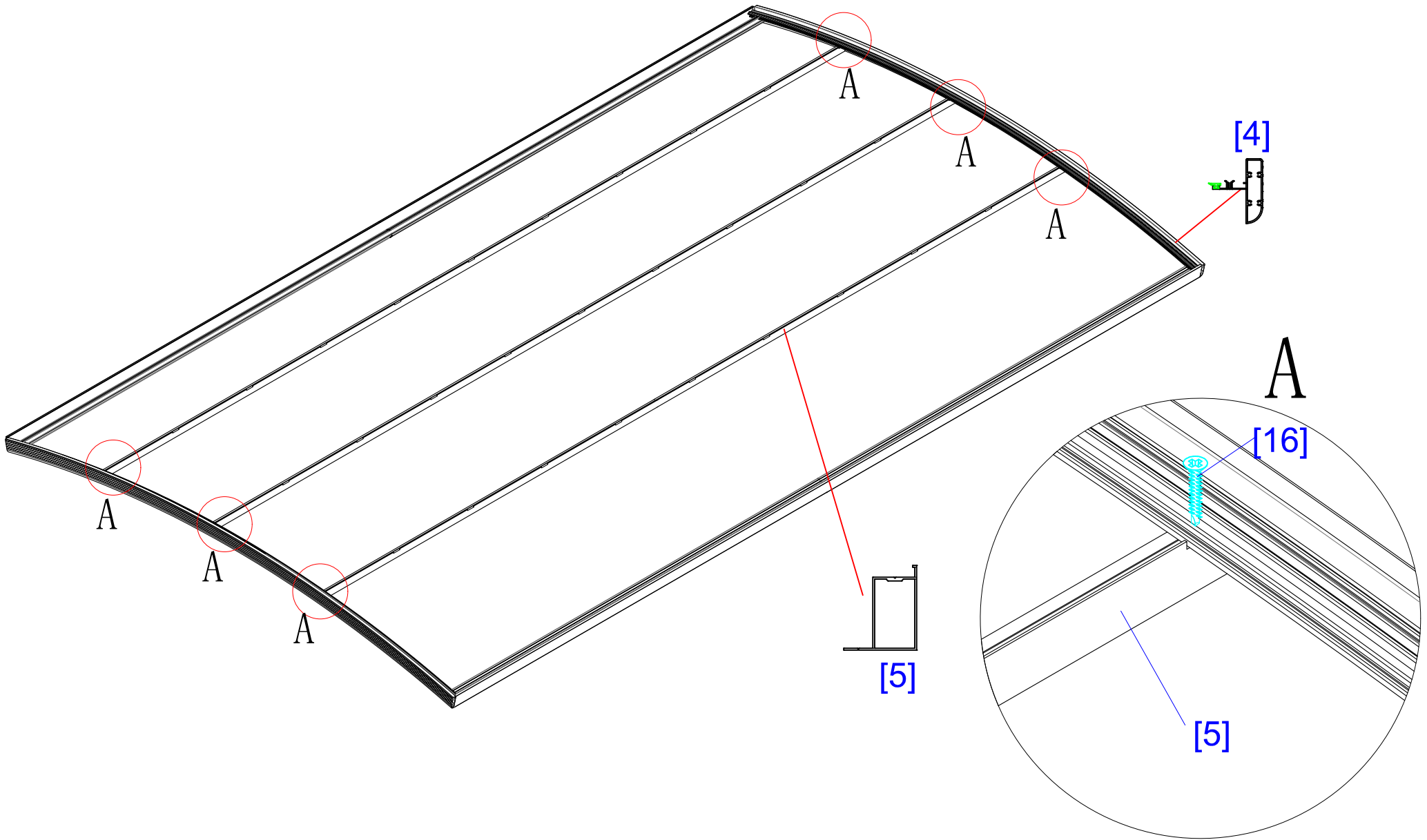


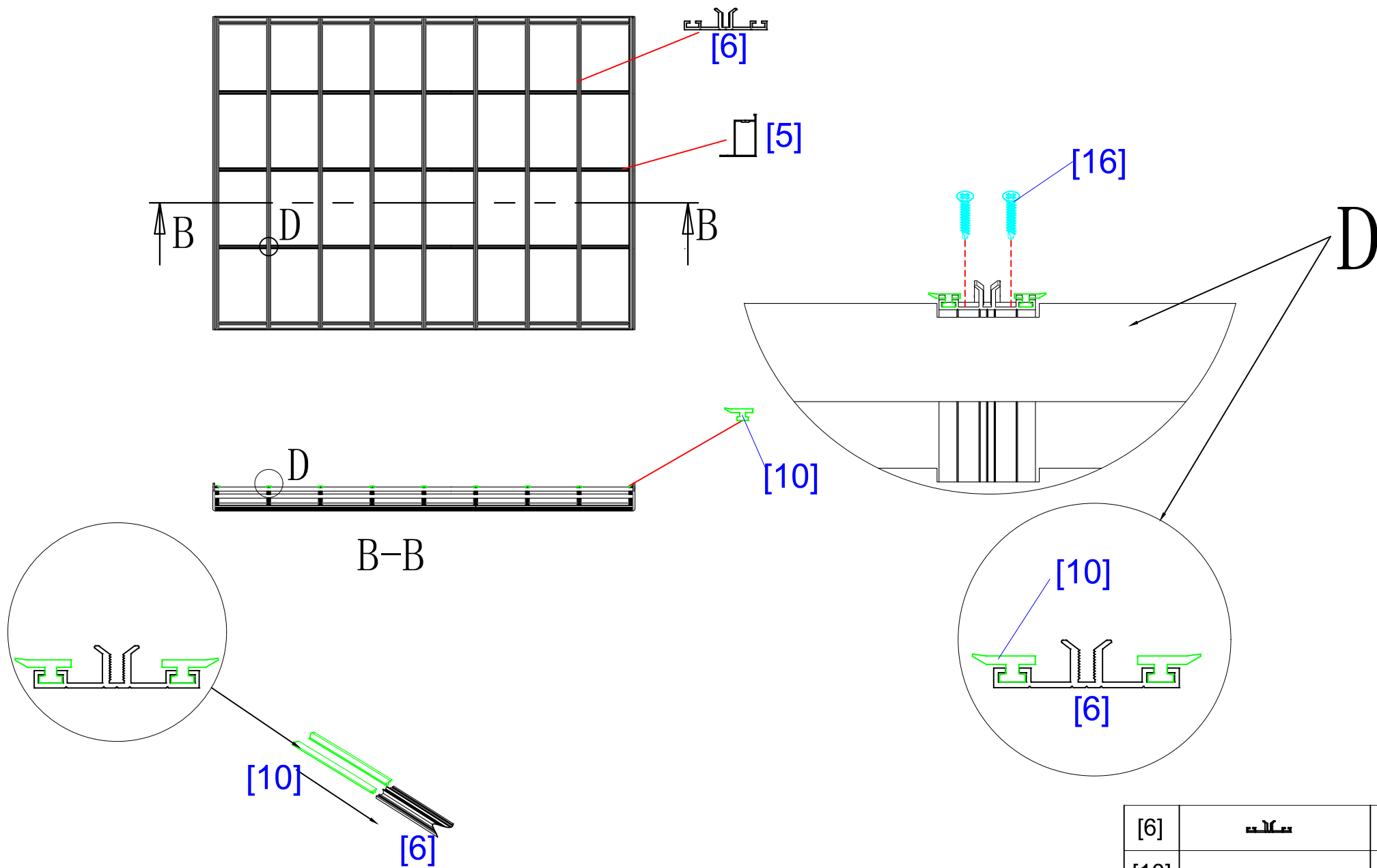
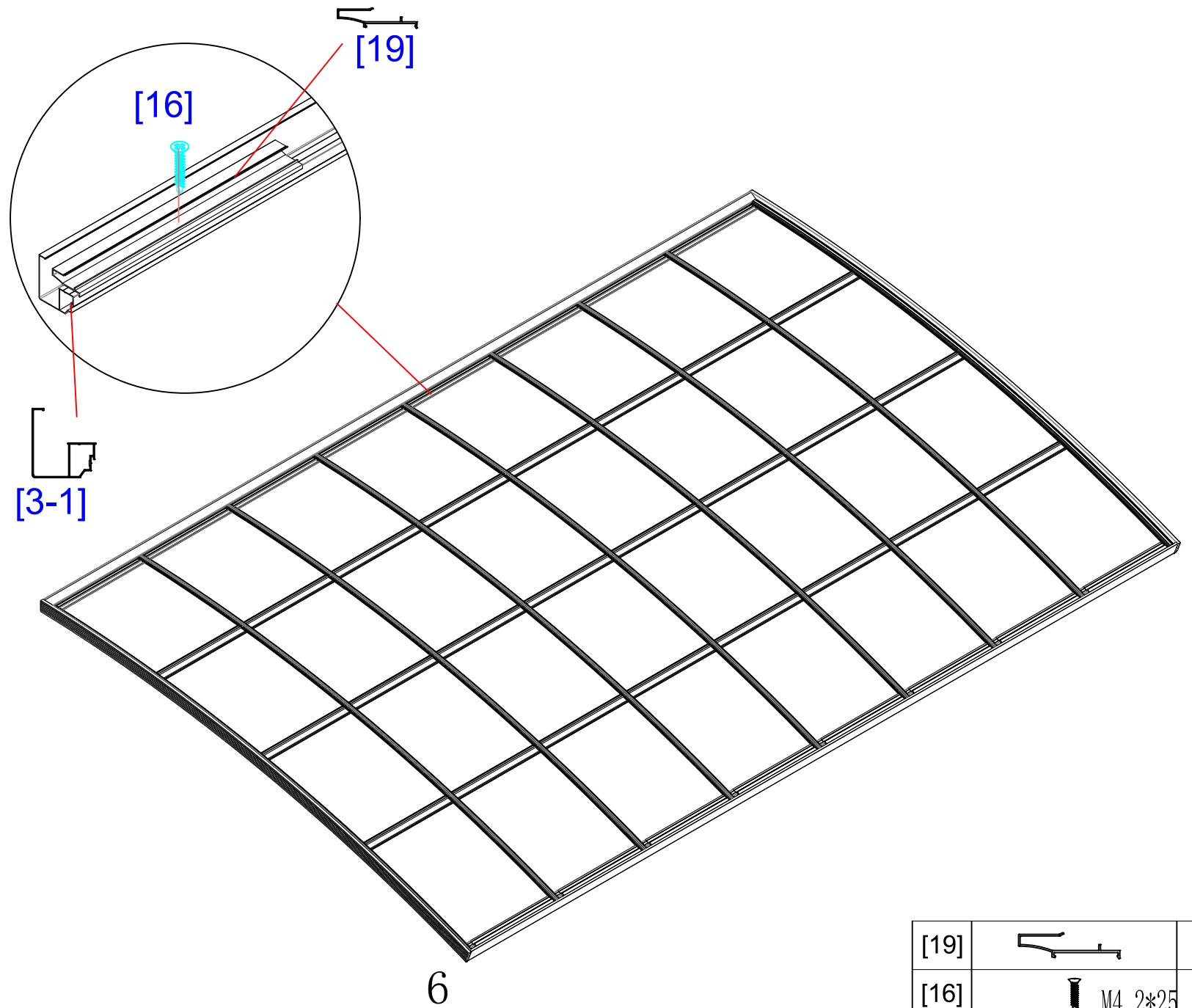




[3-1]		1
[3-2]		1
[4]		2
[10]		X
[16]	M4. 2*25	8

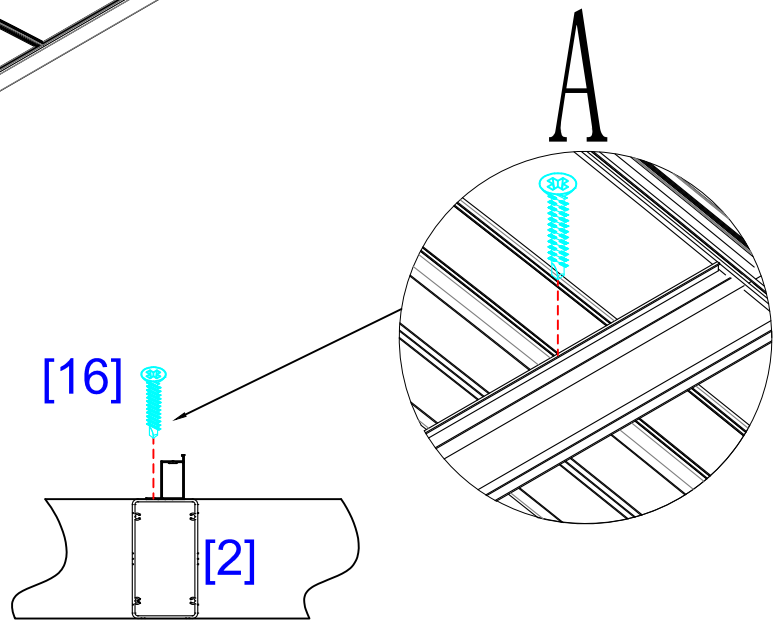
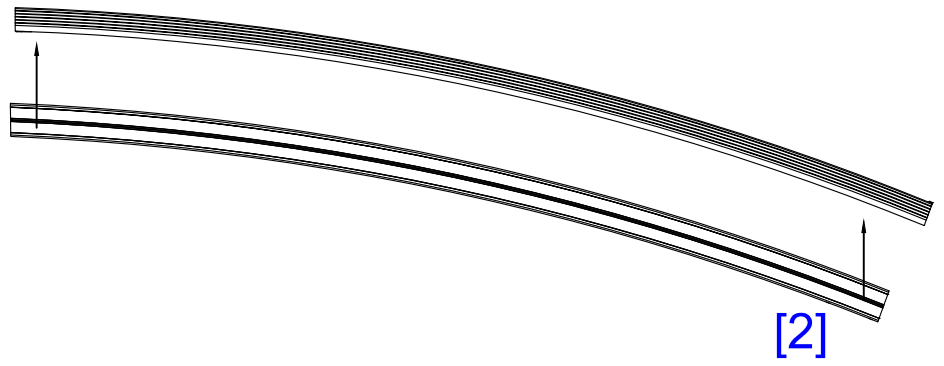
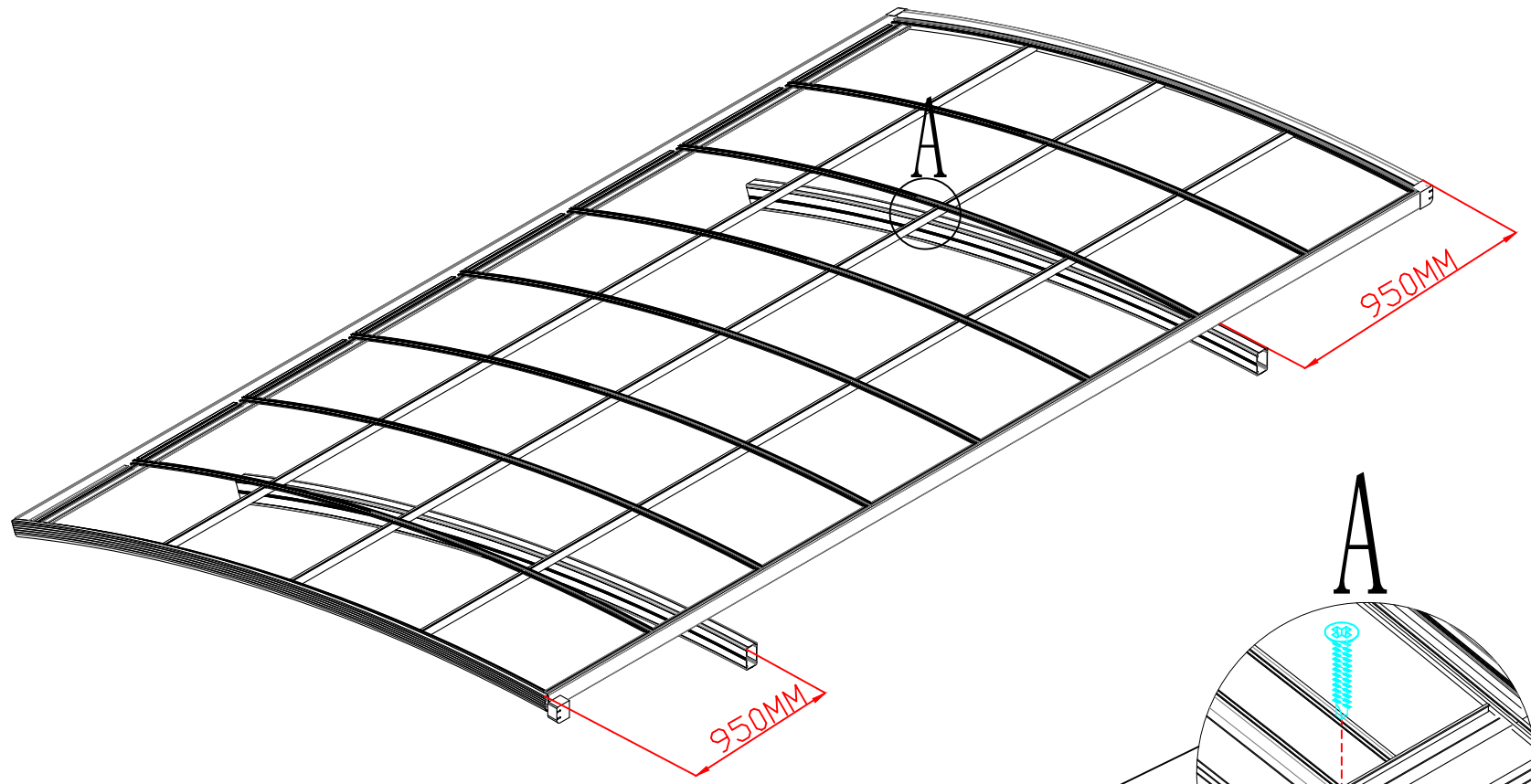


[5]		3
[16]	 M4. 2*25	6





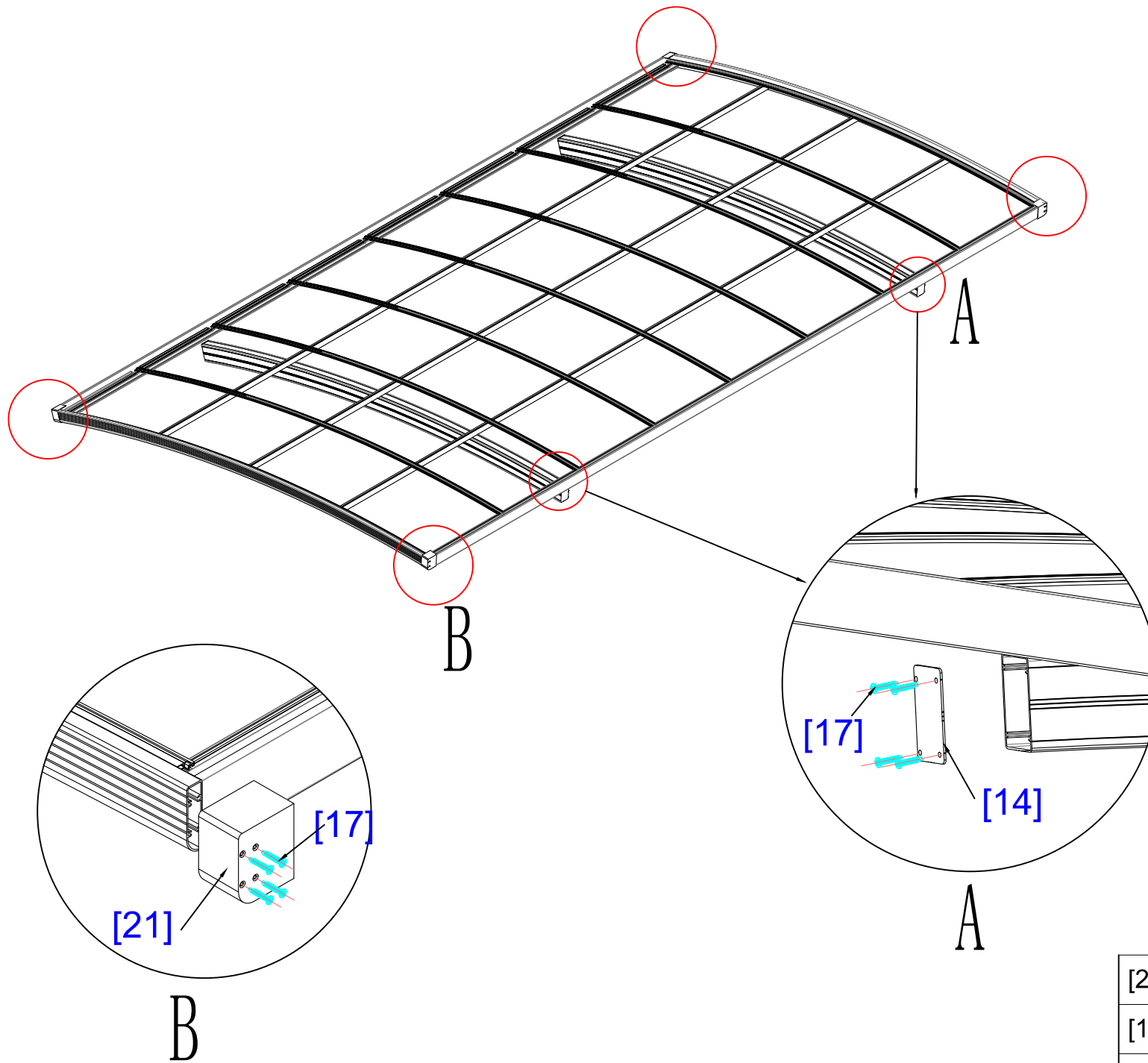





[19]		8
[16]	 M4. 2*25	8

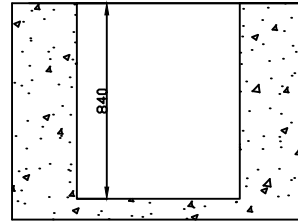
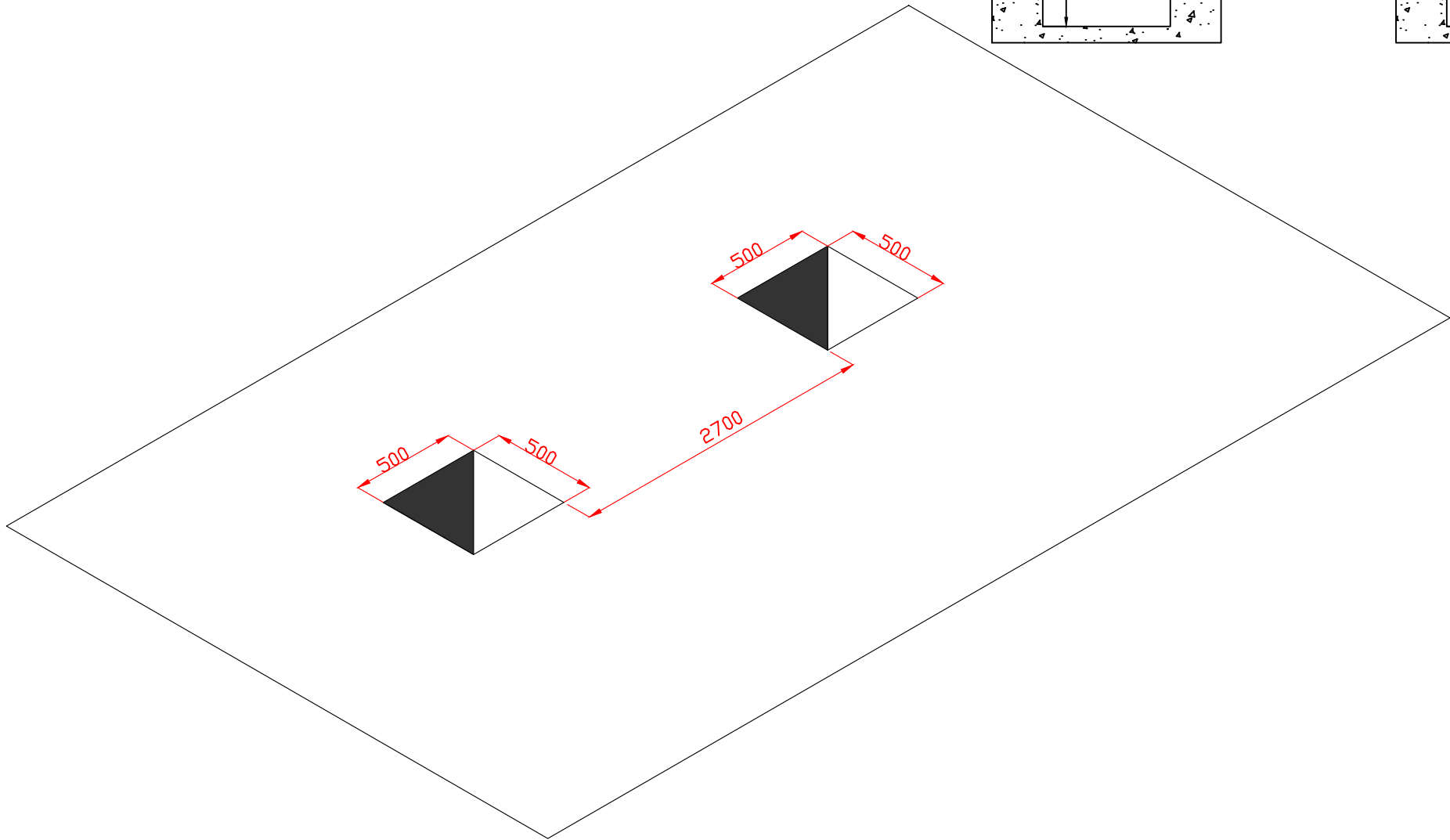


7

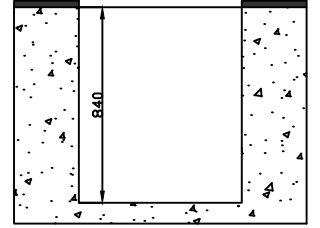
[2]		2
[16]	 M4. 2*25	6

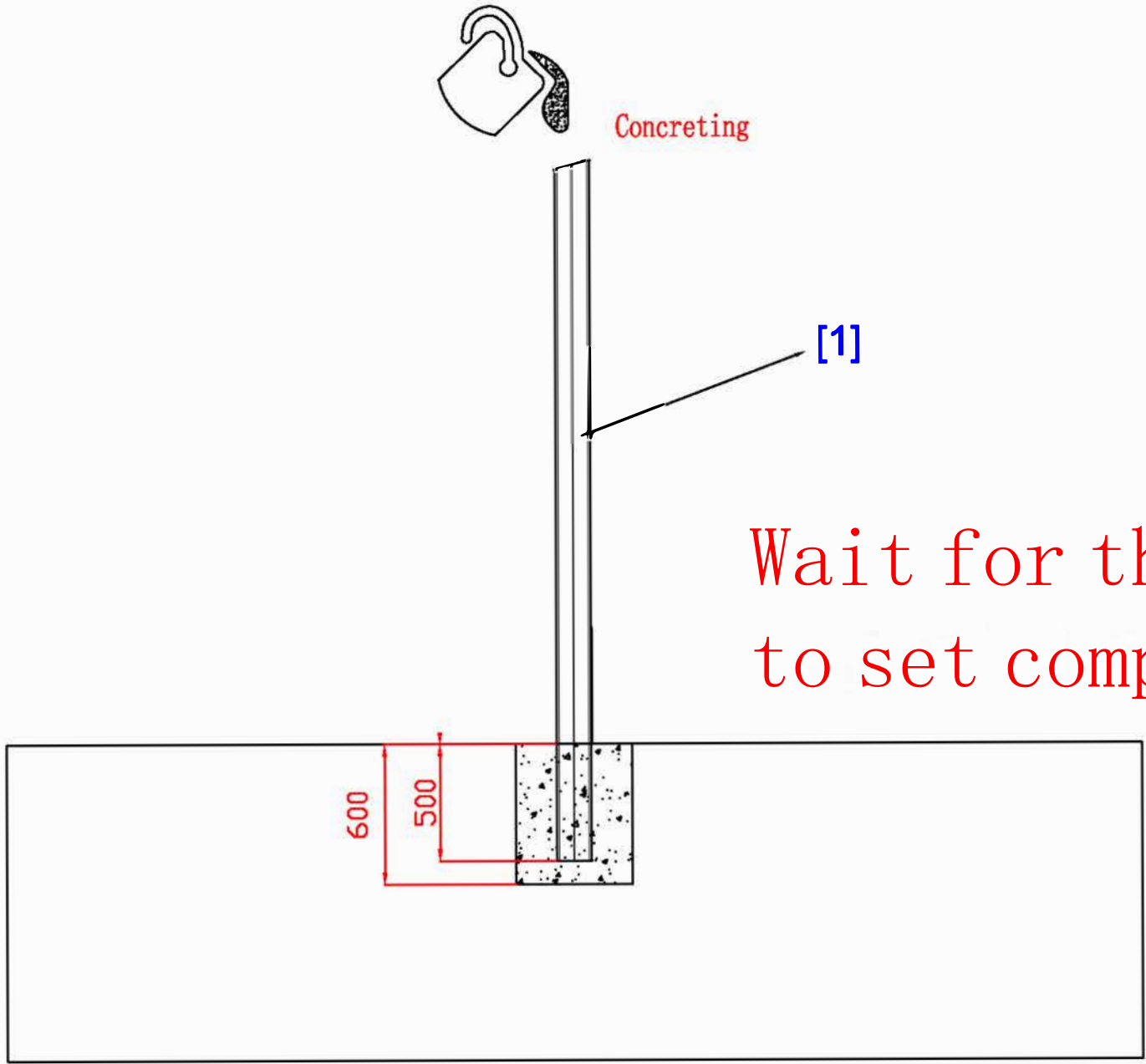


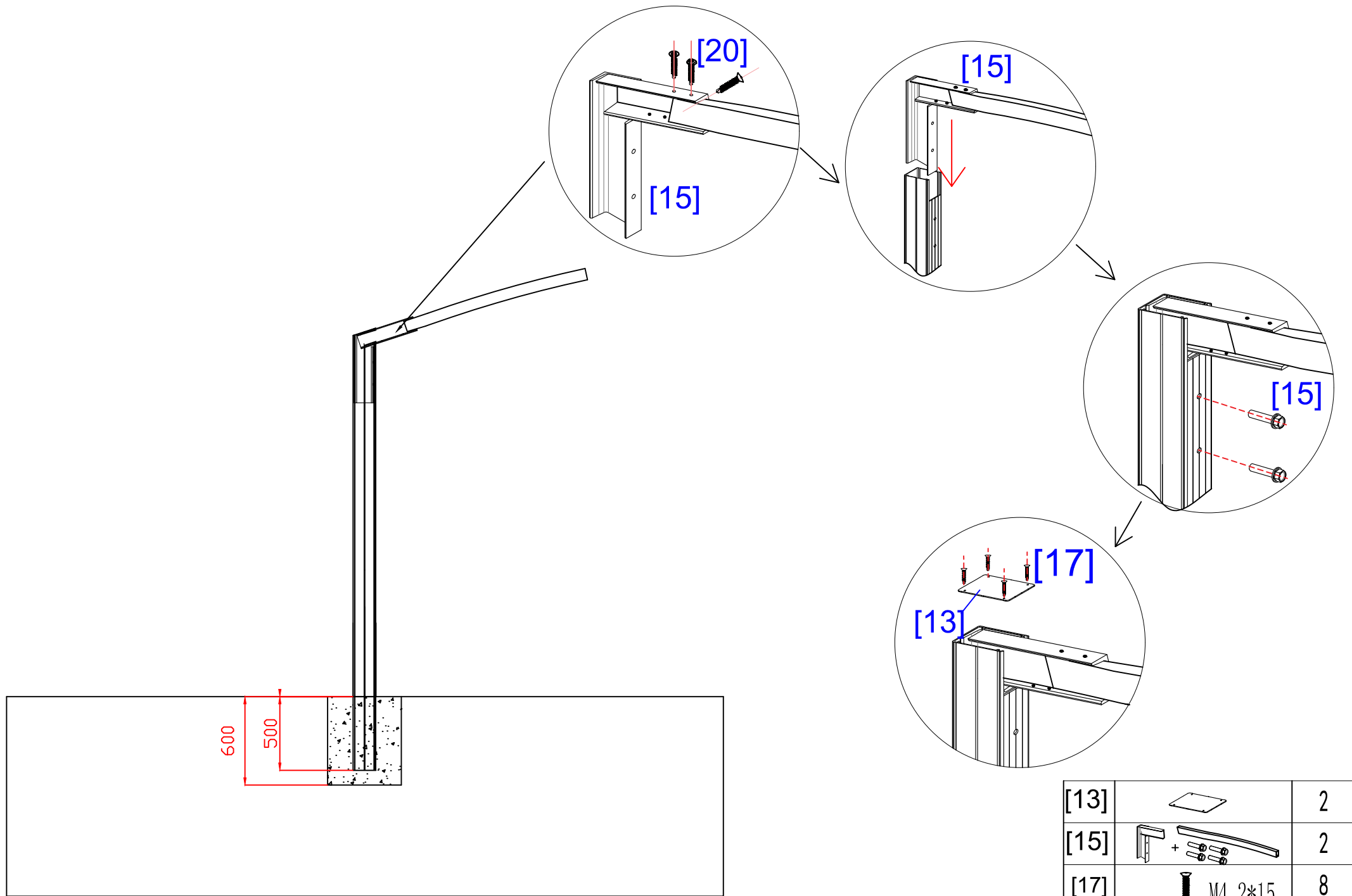
[21]		4
[14]		2
[17]	 M4. 2*15	24

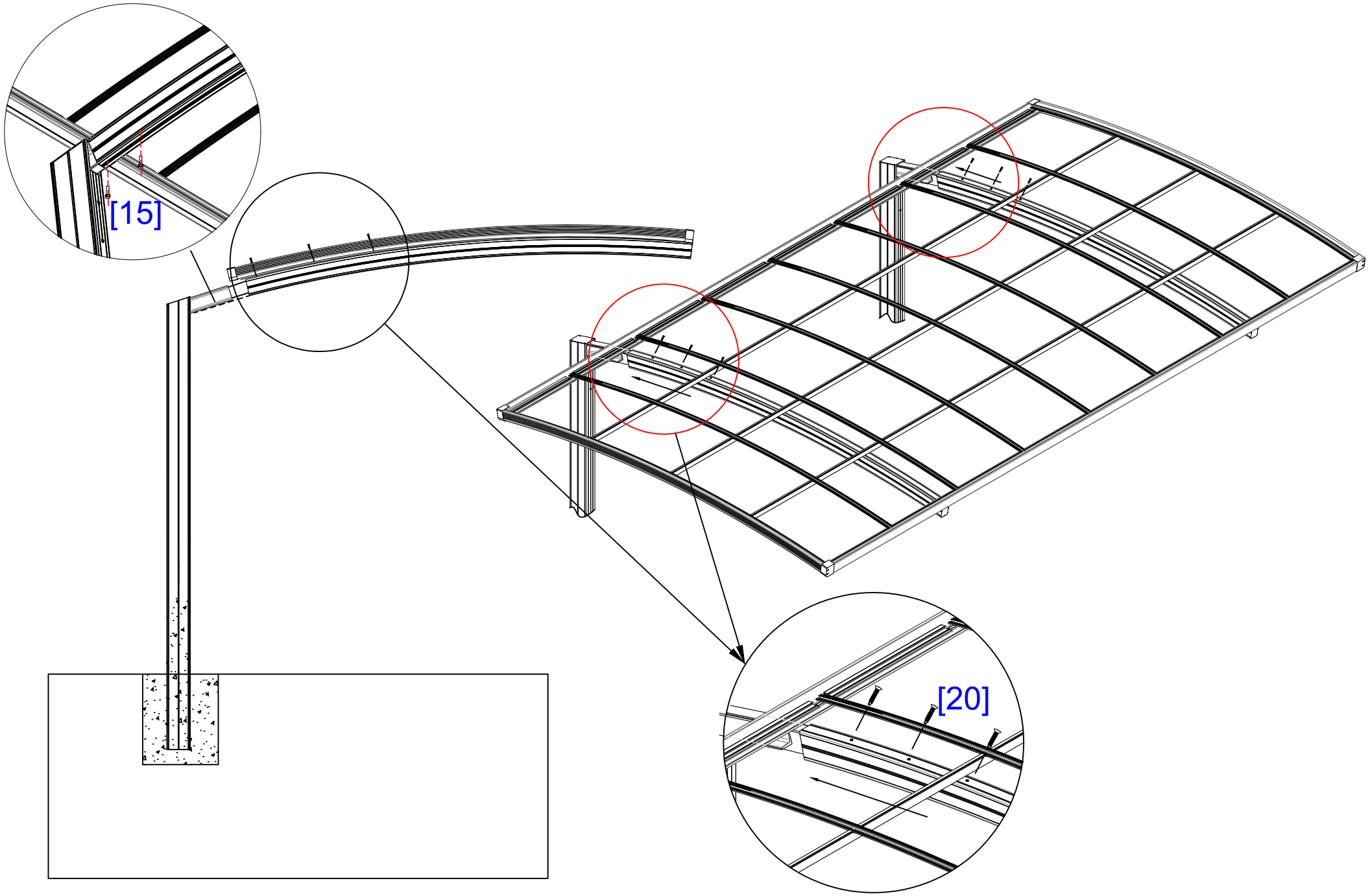


OR

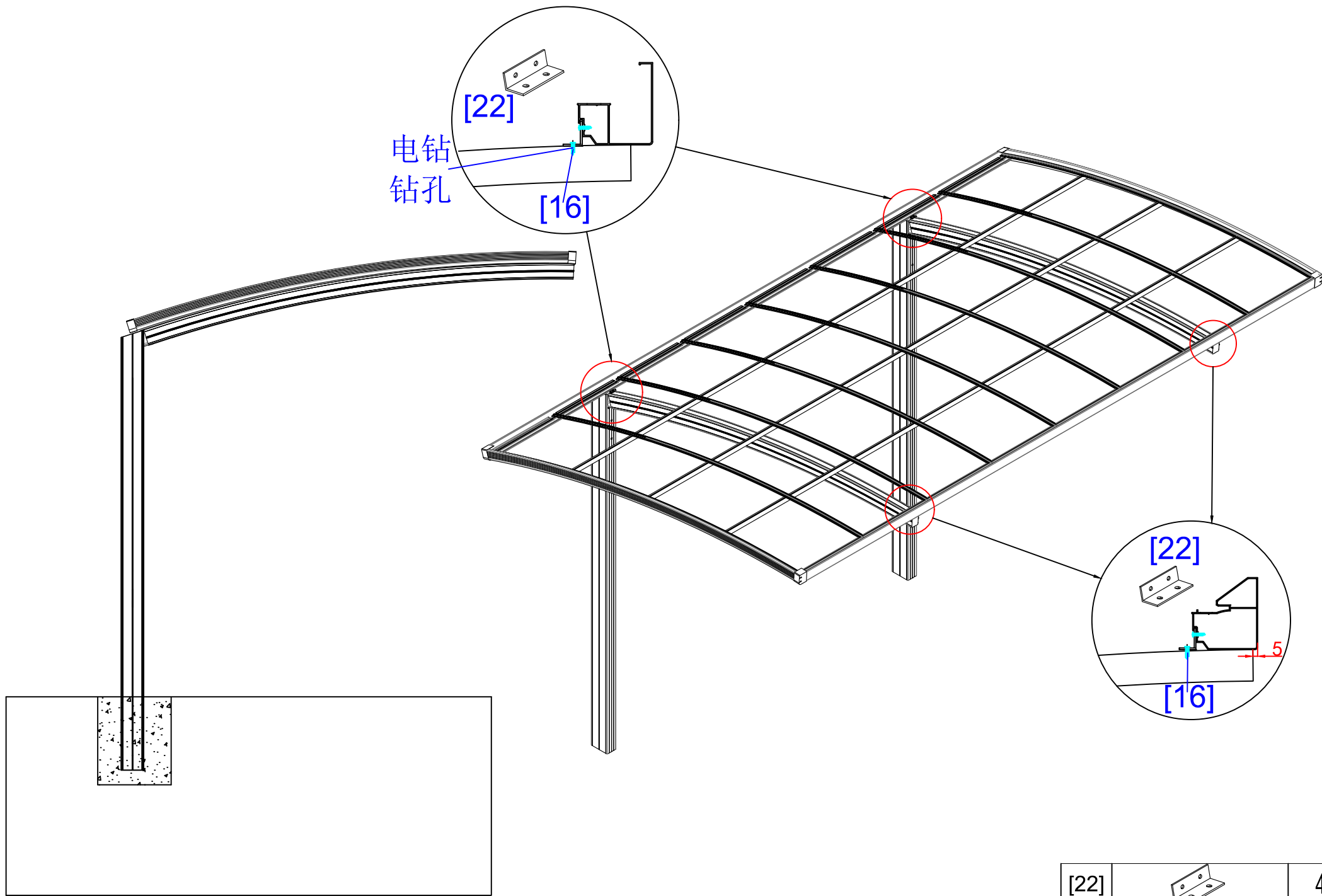


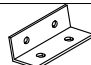



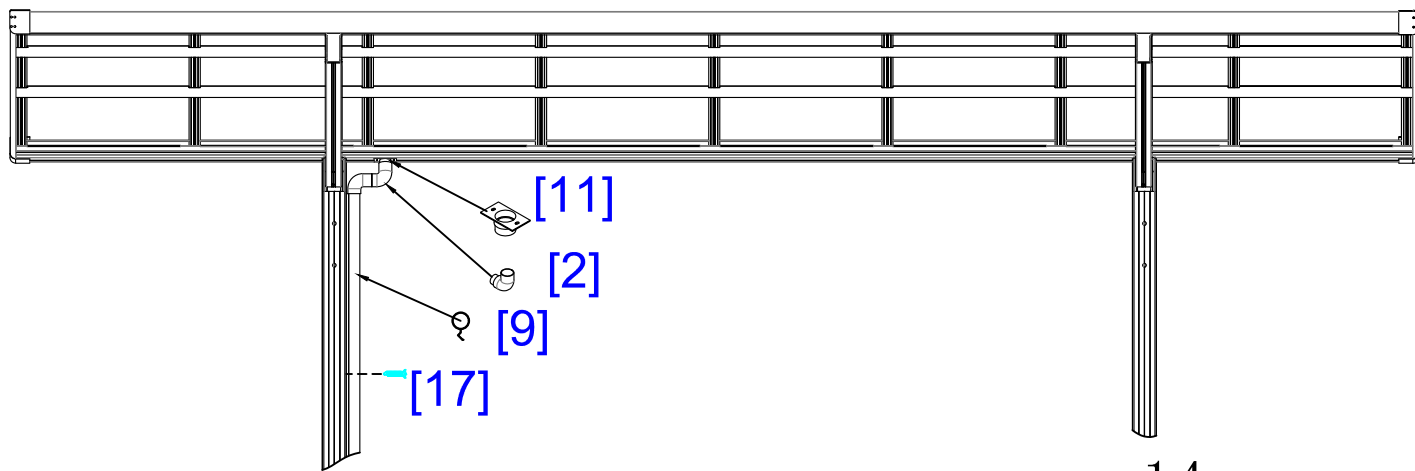
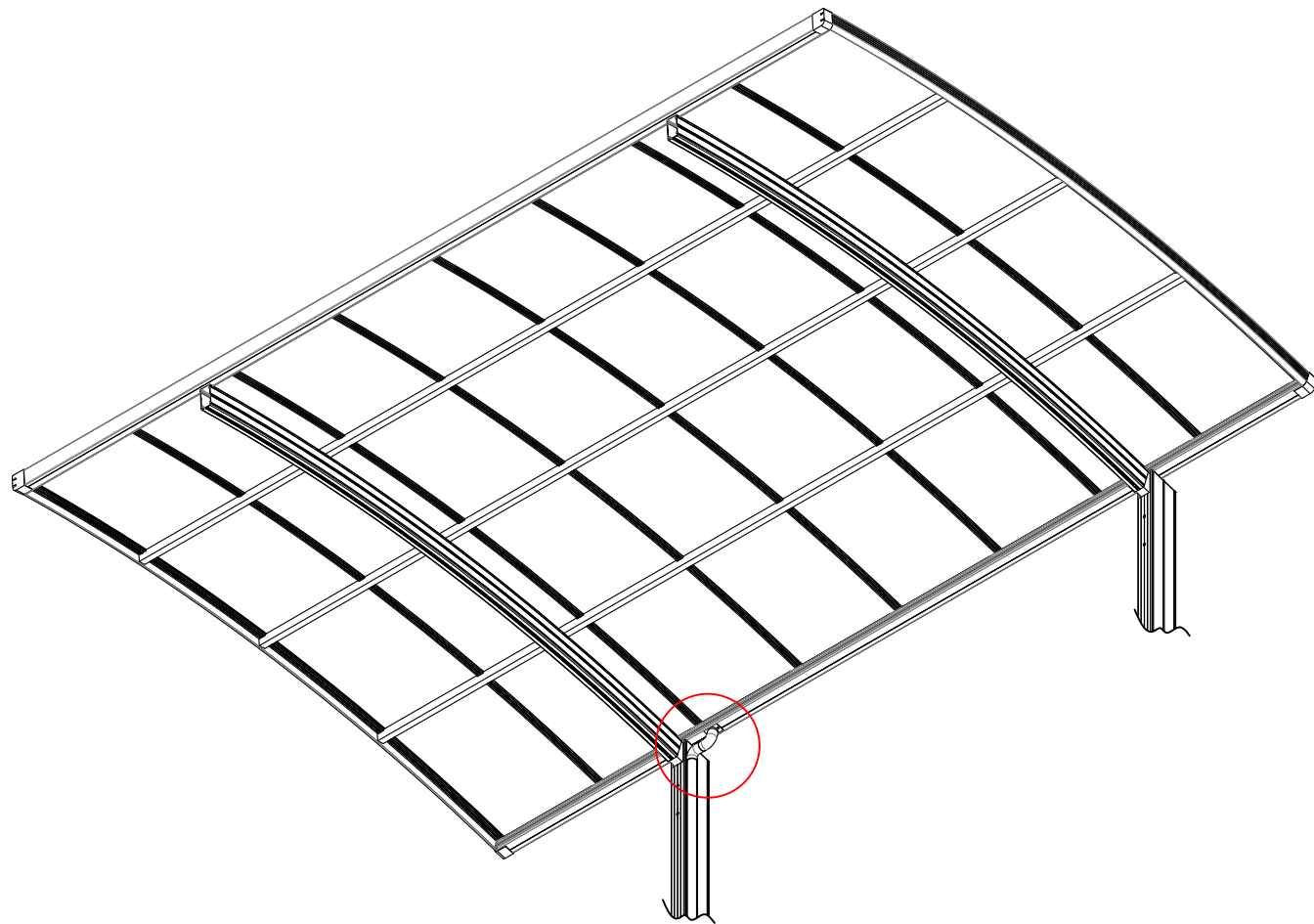
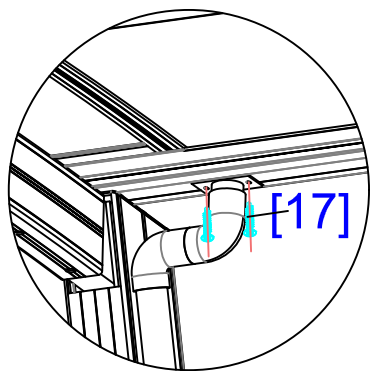








[20]	 M6. 3*40	6
------	--	---

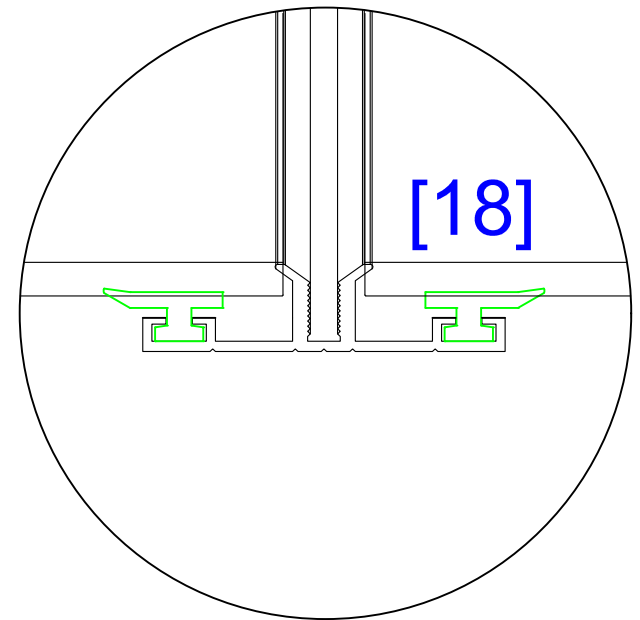
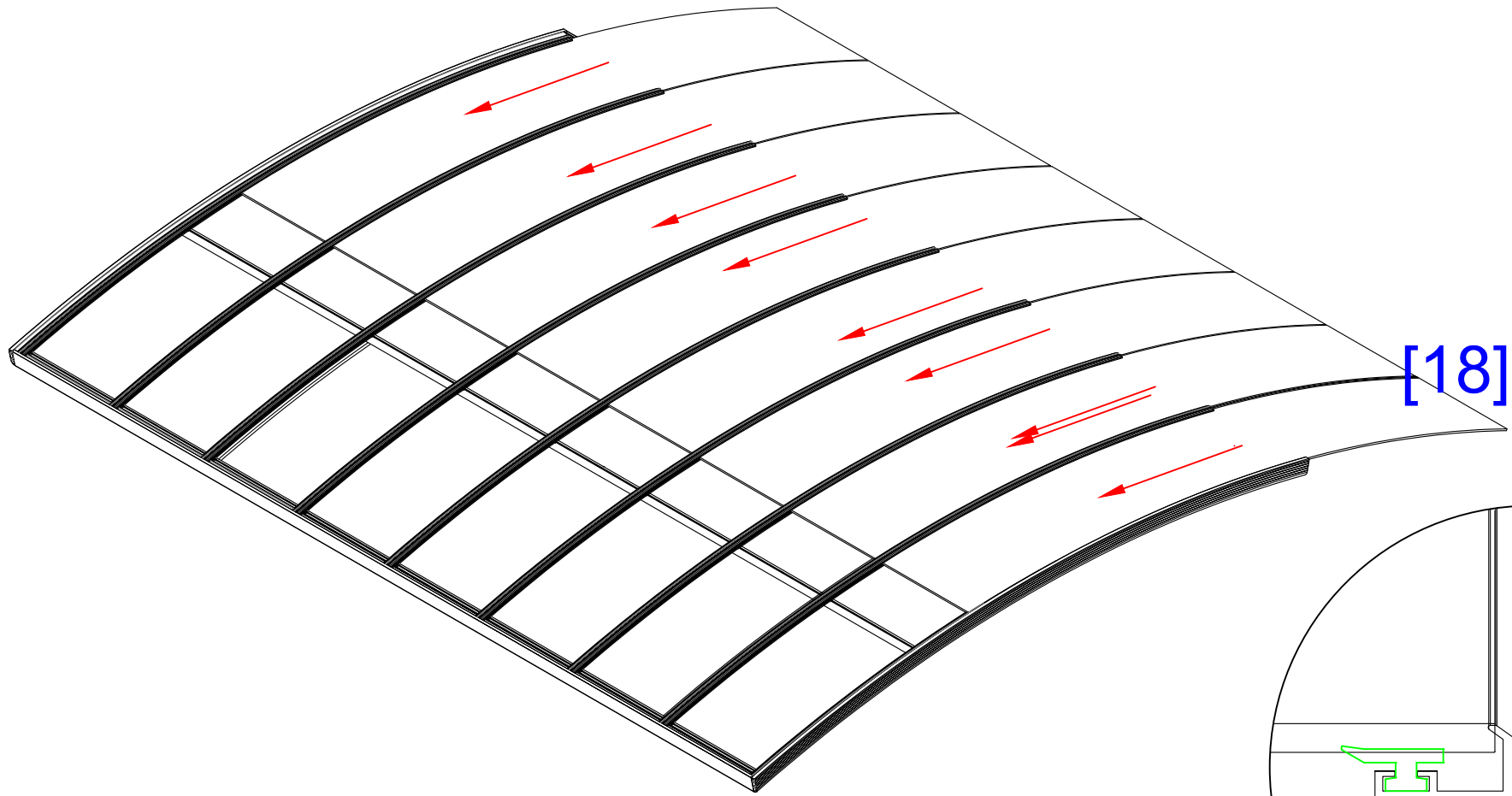


[22]		4
[16]	 M4. 2*25	16



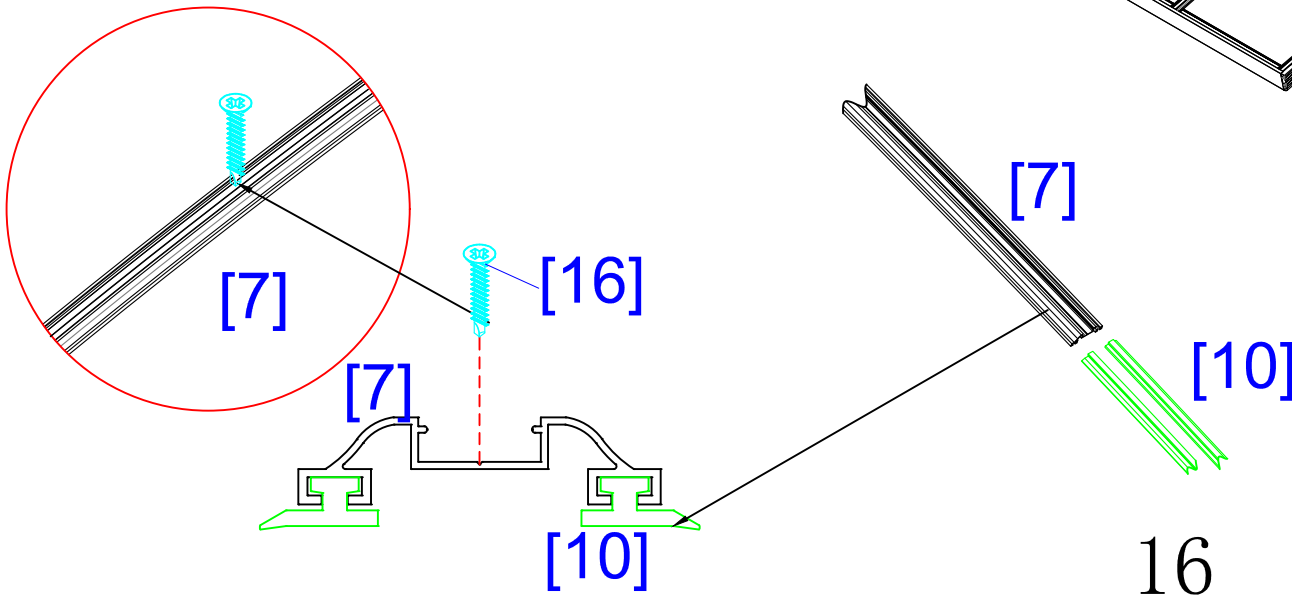
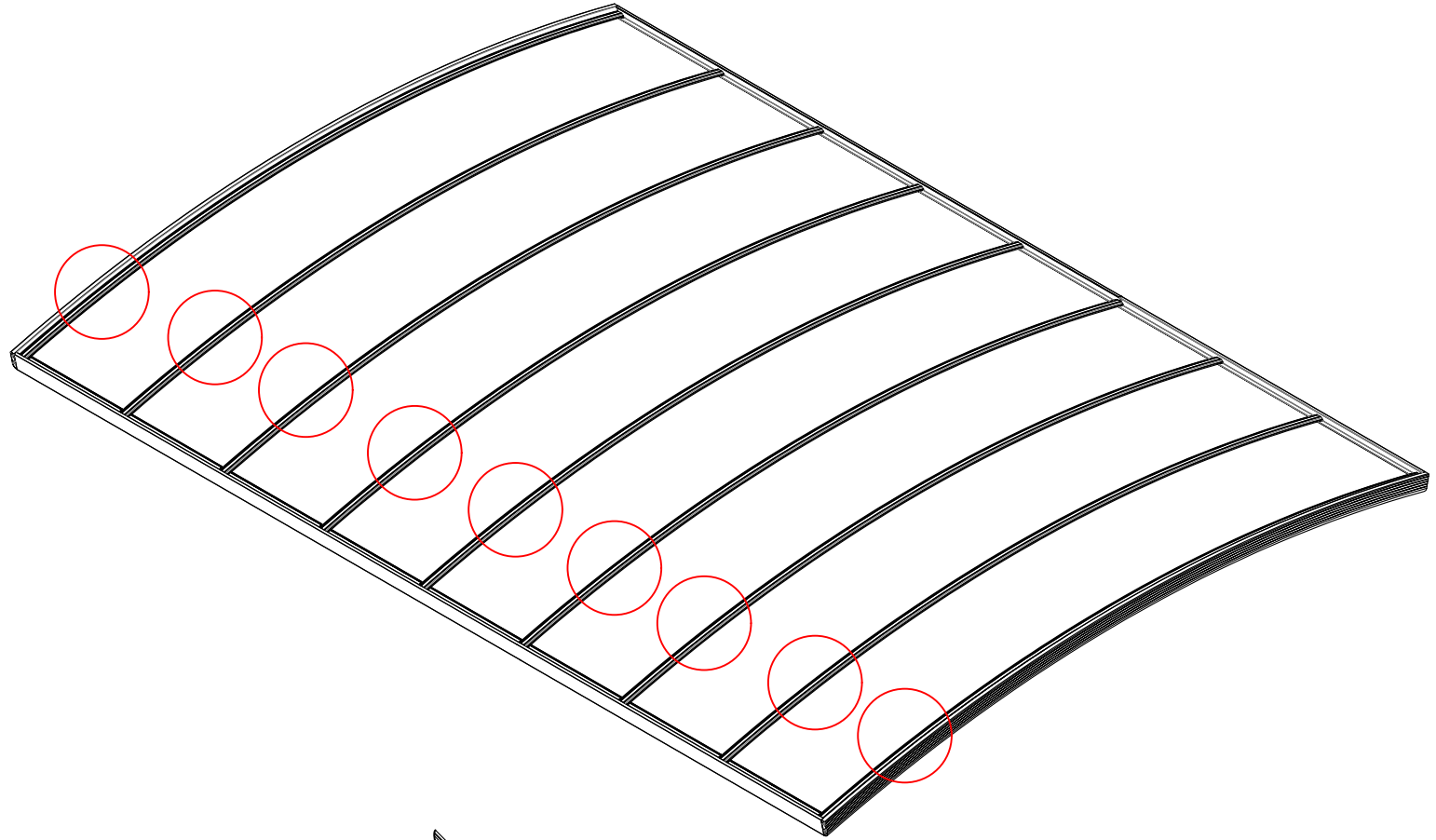
14

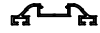


[17]	 M4. 2*15	5
[11]		1
[12]		2
[9]		1



15

[18]	PC sheet	8
------	----------	---



[7]		9
[10]		X
[16]	 M4.2*25	45

