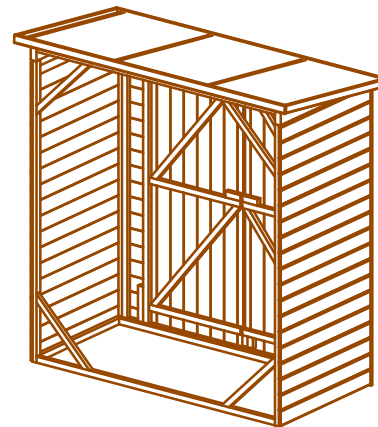
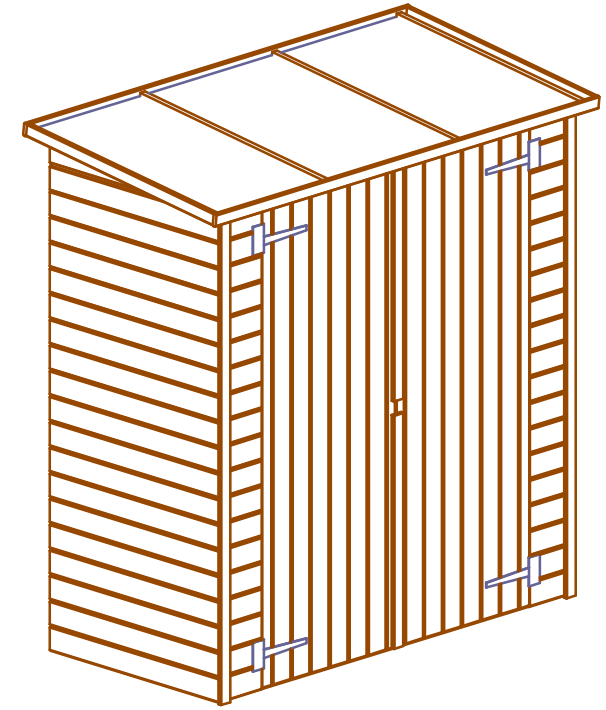
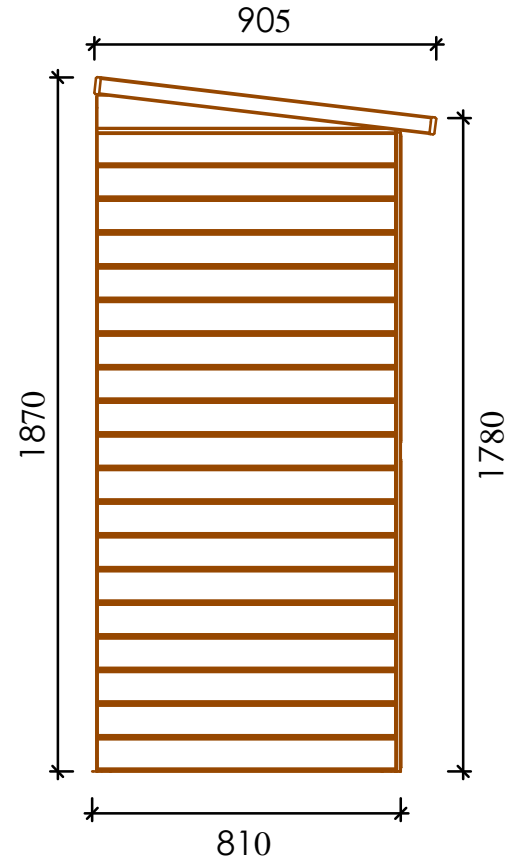
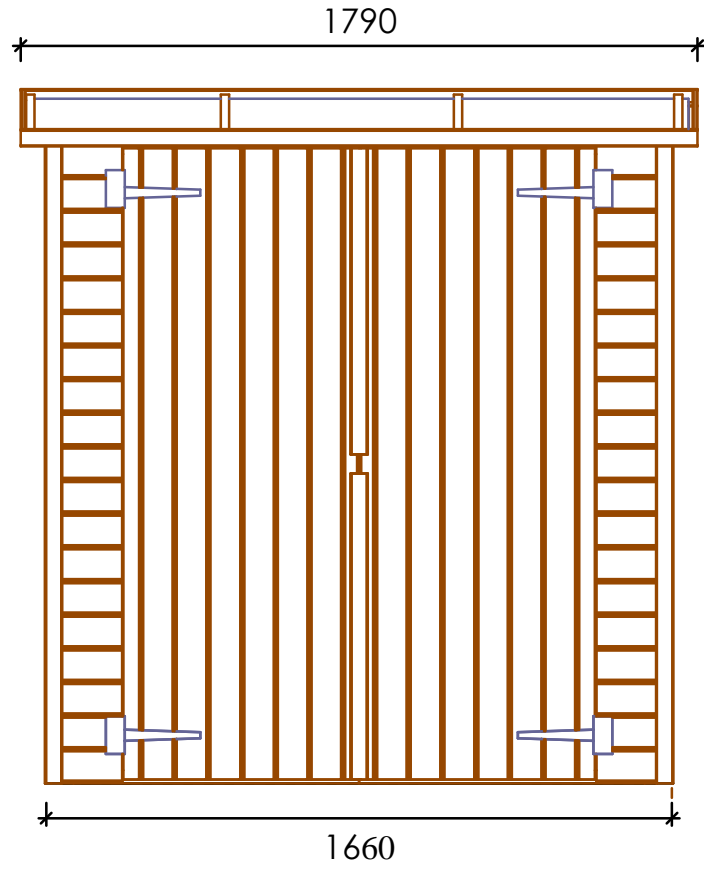
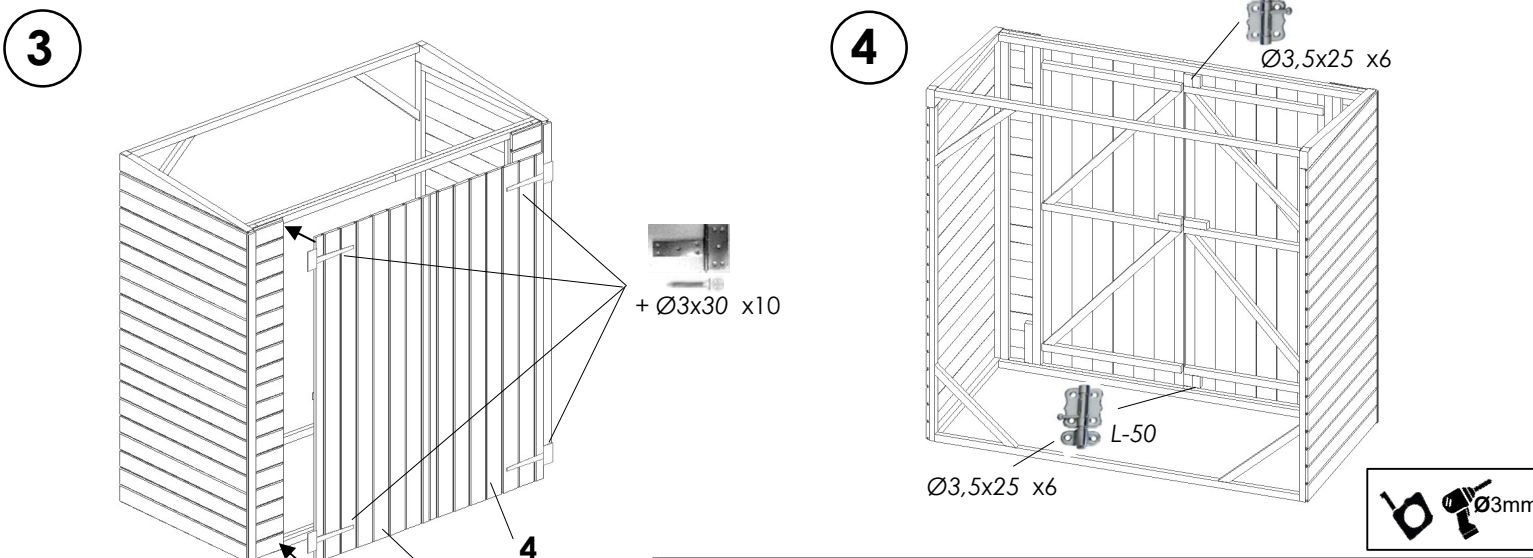
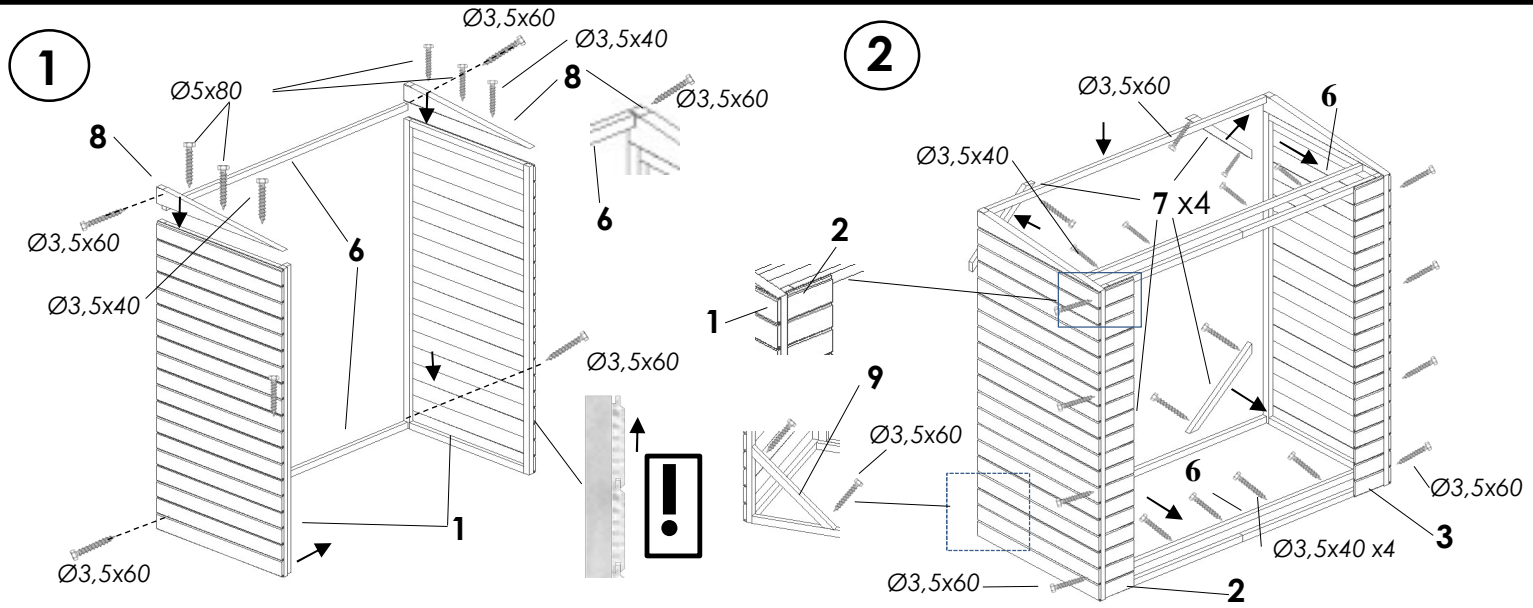


DOM 85



08.06.2022

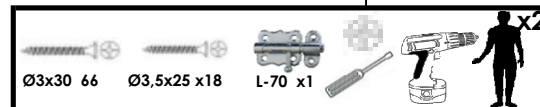
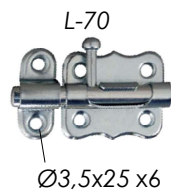
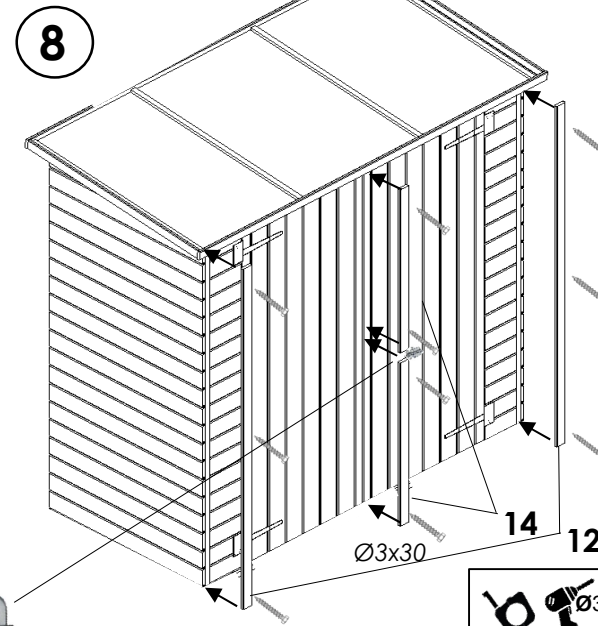
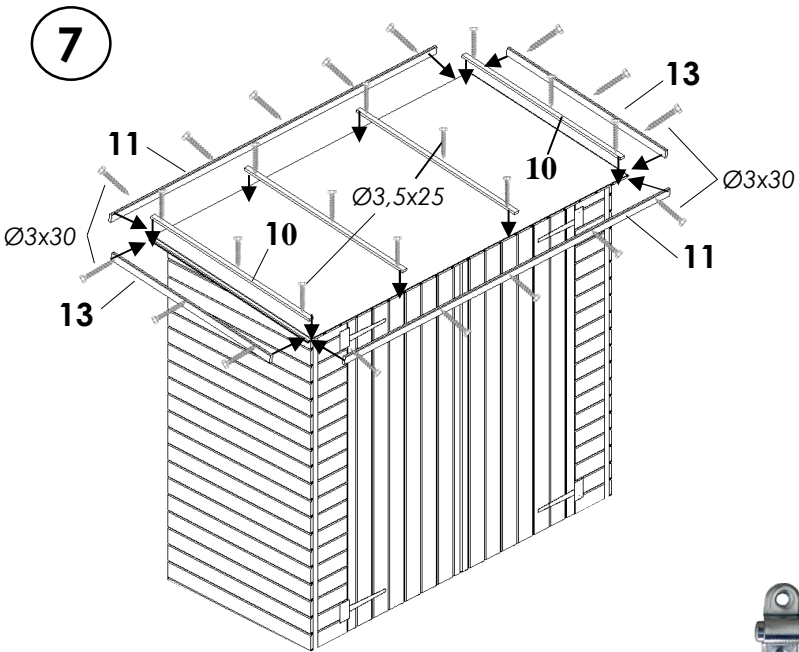
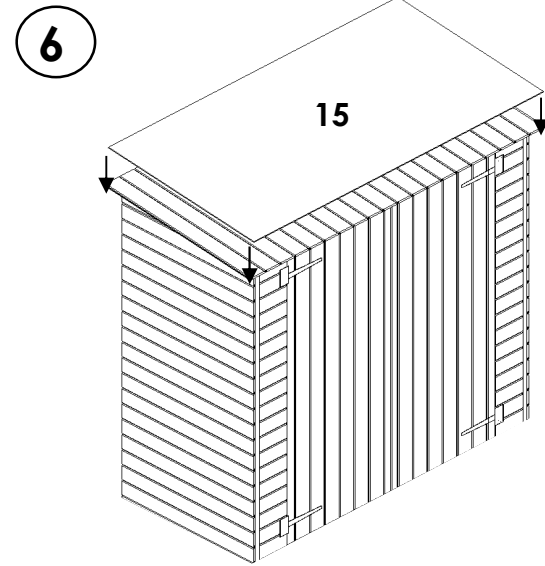
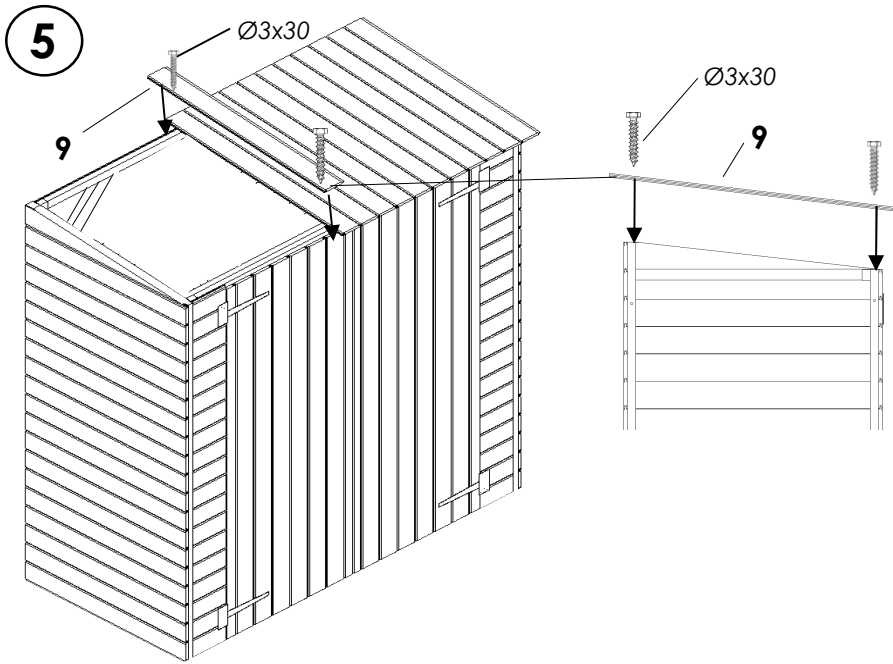
DOM85-3 165x80 12mm



1		42x790x1700	x2
2		42x785x1700	x1
3		42x785x1700	x1
4		27x620x1670	x1
5		27x620x1670	x1
6		30x30x1571	x4
7		30x30x420	x4
8		72x90x790	x2
9		12x97x880	x20
10		12x20x880	x4
11		12x42x1790	x2
12		12x42x1700	x2
13		12x42x880	x2
14		12x42x810	x2
15		880x1800	x1

Tools and hardware required for assembly:

- Ø3x30 x40
- Ø3,5x40 x10
- Ø3,5x25 x12
- Ø3,5x60 x18
- Ø5x80 x4
- L-50 x2
- α x4
- Drill
- Screwdriver
- Person icon x2



1		42x790x1700	x2
2		42x785x1700	x1
3		42x785x1700	x1
4		27x620x1670	x1
5		27x620x1670	x1
6		30x30x1571	x4
7		30x30x420	x4
8		42x90x790	x2
9		12x97x880	x20
10		12x20x880	x4
11		12x42x1790	x2
12		12x42x1700	x2
13		12x42x880	x2
14		12x42x810	x2
15		880x1800	x1