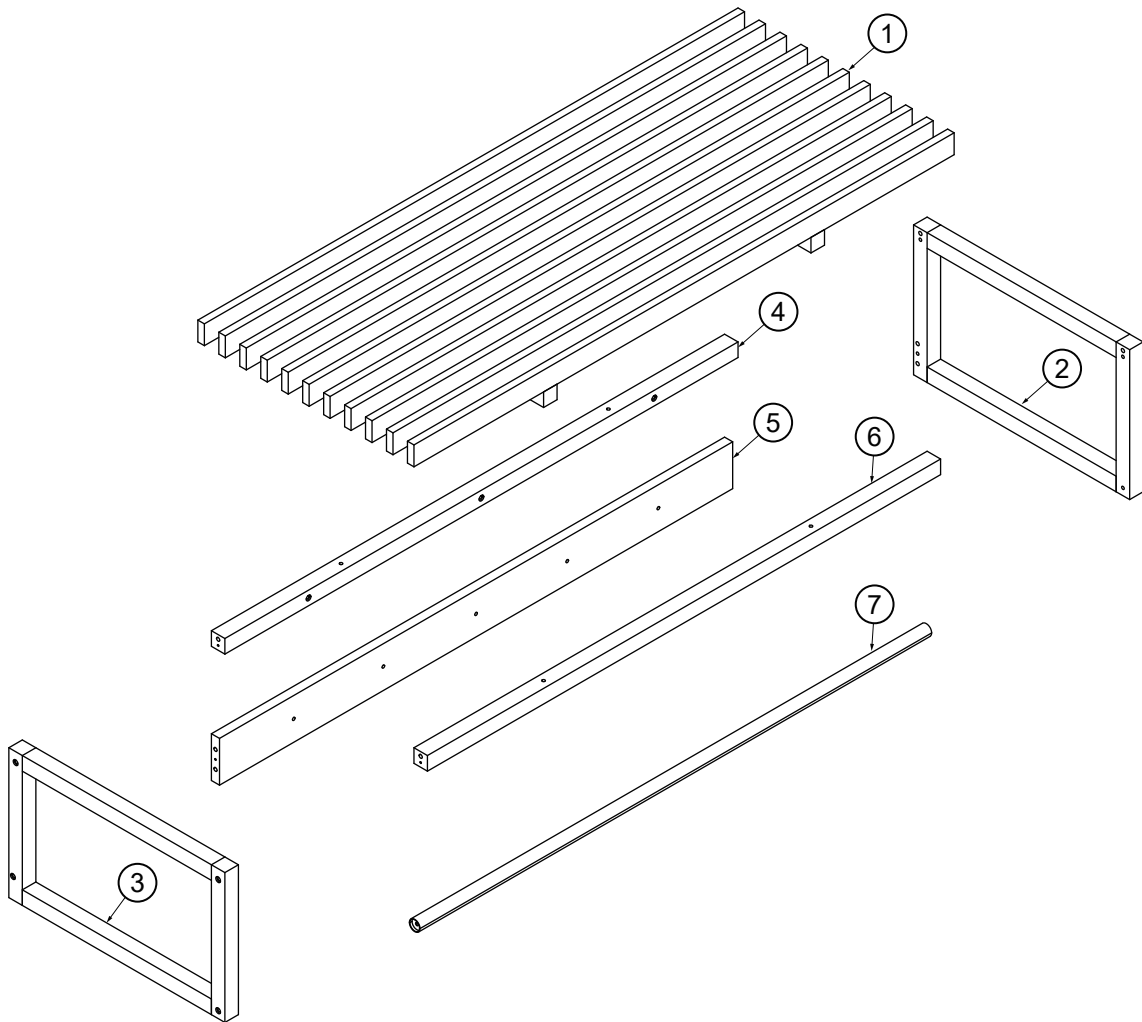
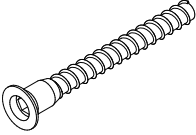
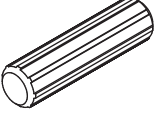
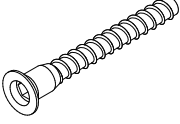

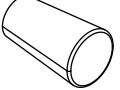
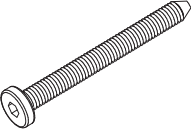
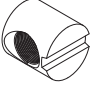

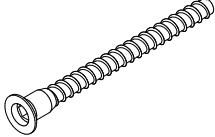
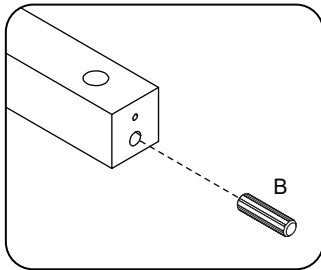
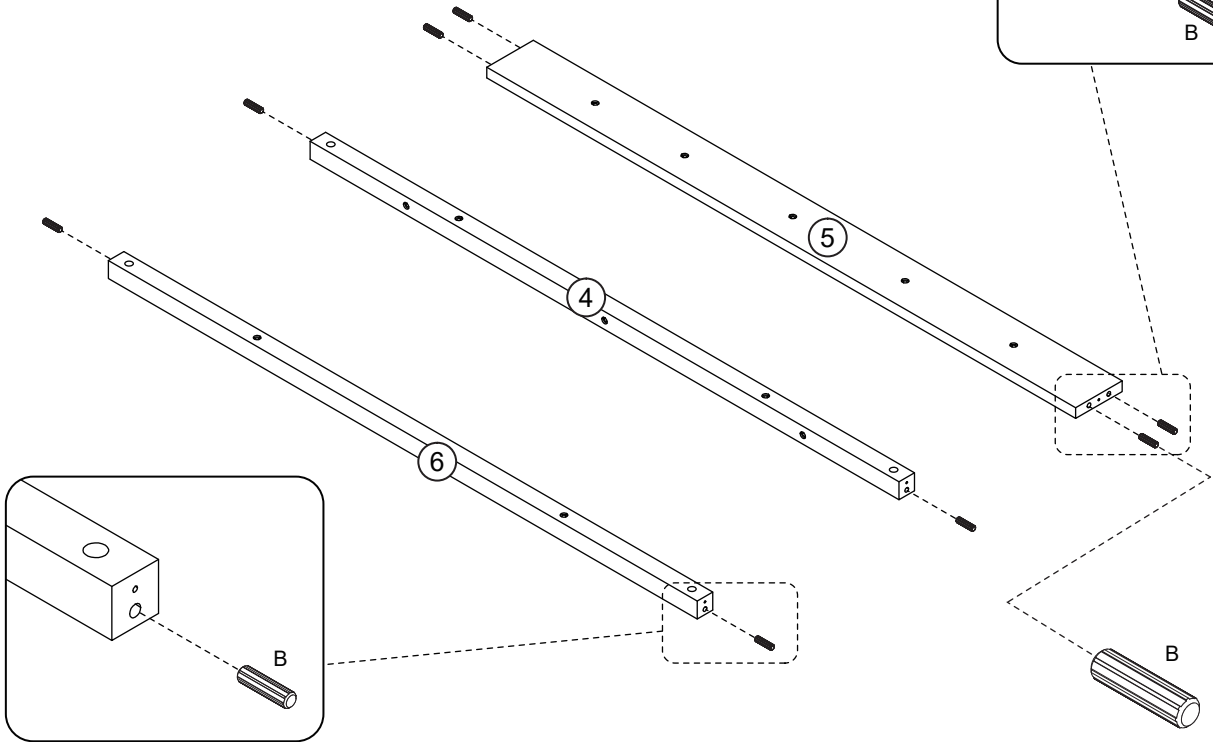
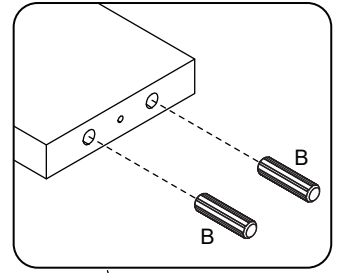
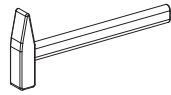
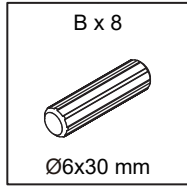


			✓
①	1	800x300x50	
②	1	300x240x25	
③	1	300x240x25	
④	1	750x25x25	
⑤	1	750x75x15	
⑥	1	750x25x25	
⑦	1	Ø22x750	

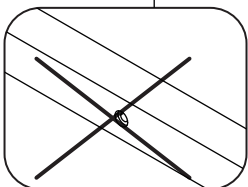
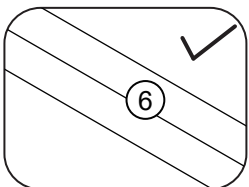
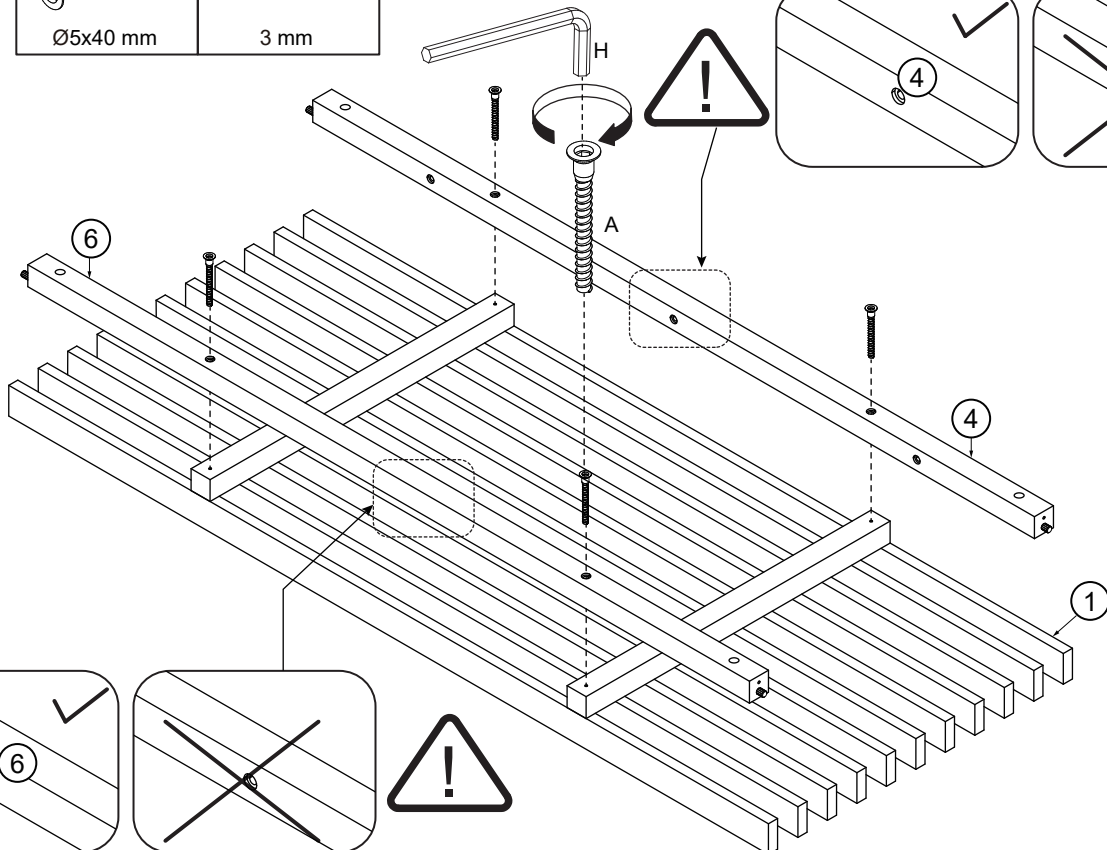
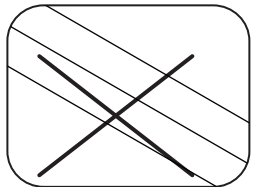
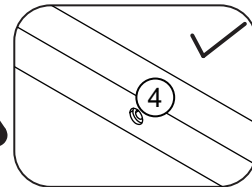
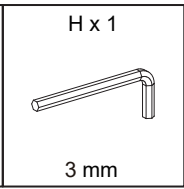
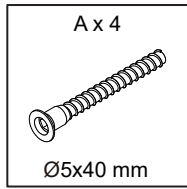


<p>A x 4</p>  <p>Ø5x40 mm</p>	<p>B x 8</p>  <p>Ø6x30 mm</p>	<p>C x 5</p>  <p>Ø5x30 mm</p>	<p>D x 1</p>  <p>4 mm</p>	<p>E x 5</p>  <p>Ø20x40 mm</p>
<p>F x 6</p>  <p>M6x50 mm</p>	<p>G x 6</p>  <p>M6/Ø10x10 mm</p>	<p>H x 1</p>  <p>3 mm</p>	<p>J x 2</p>  <p>Ø7x50 mm</p>	


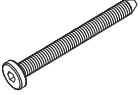

# 1

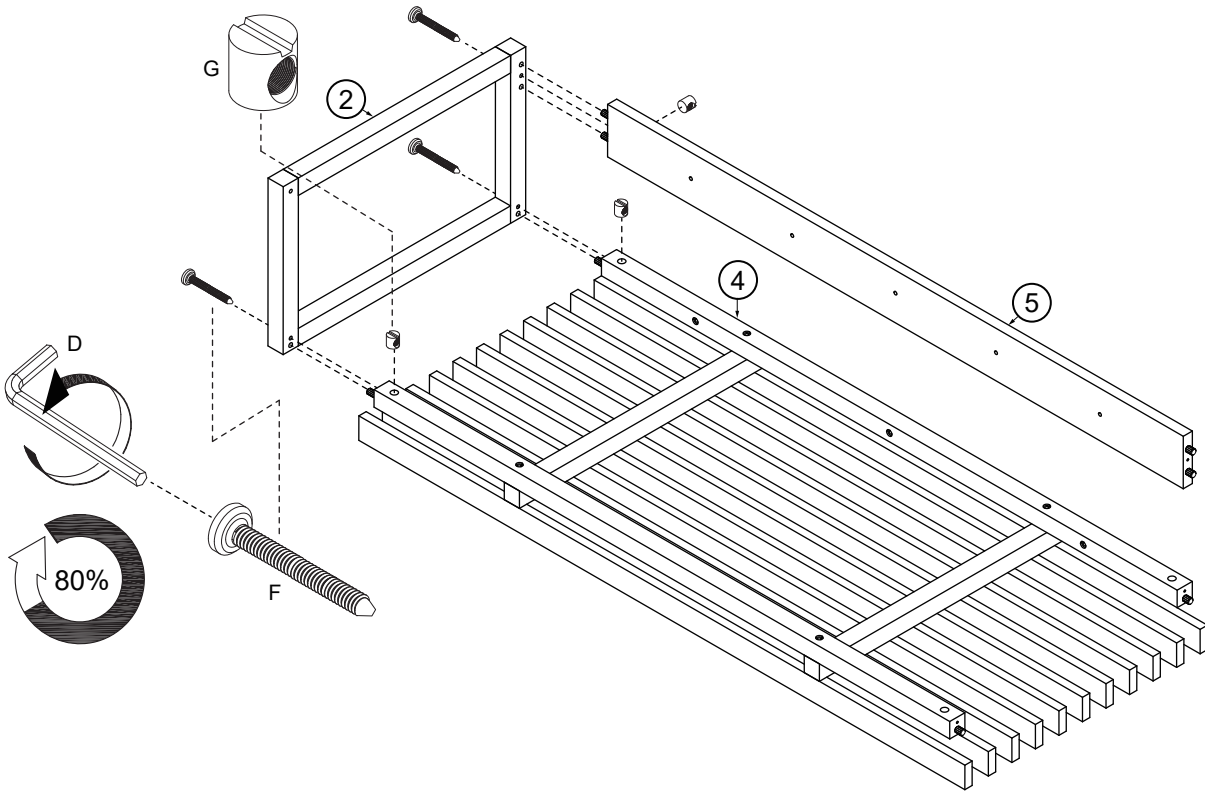
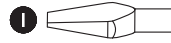


# 2


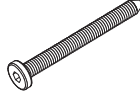



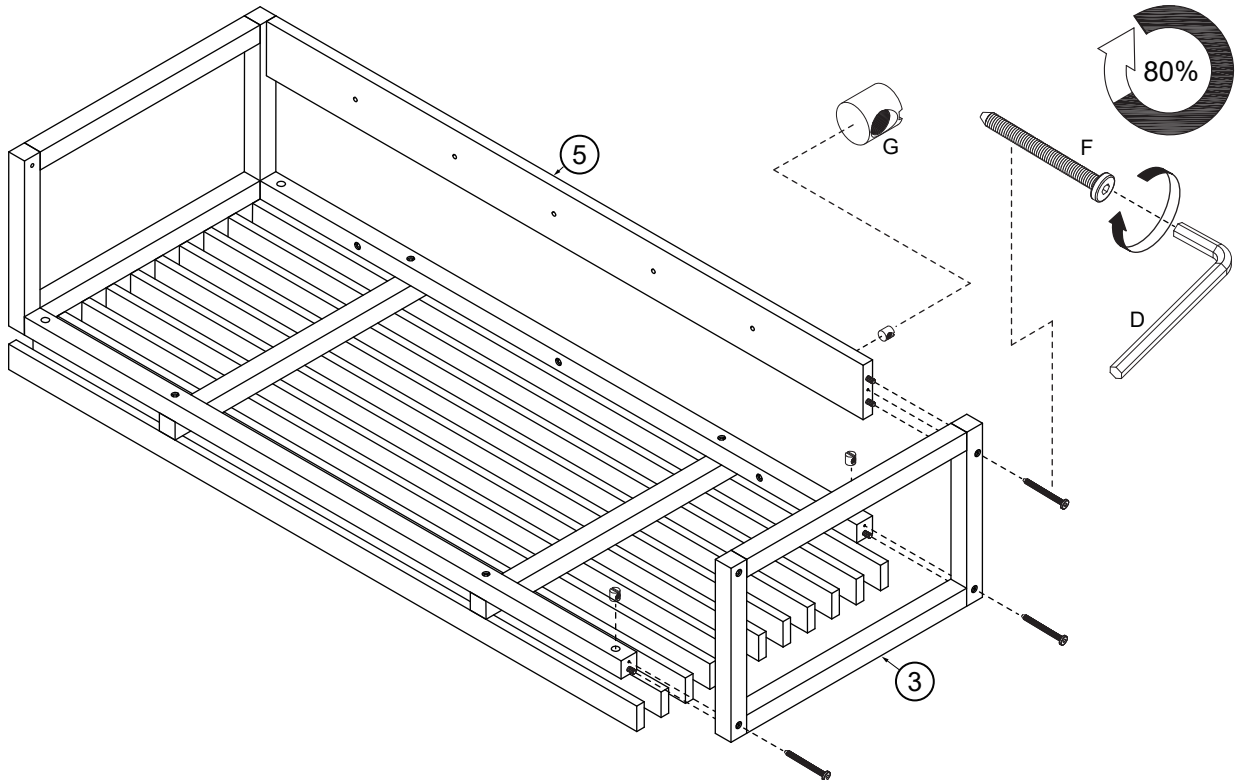
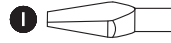
# 3

D x 1	F x 3	G x 3
		
4 mm	M6x50 mm	M6/Ø10x10 mm

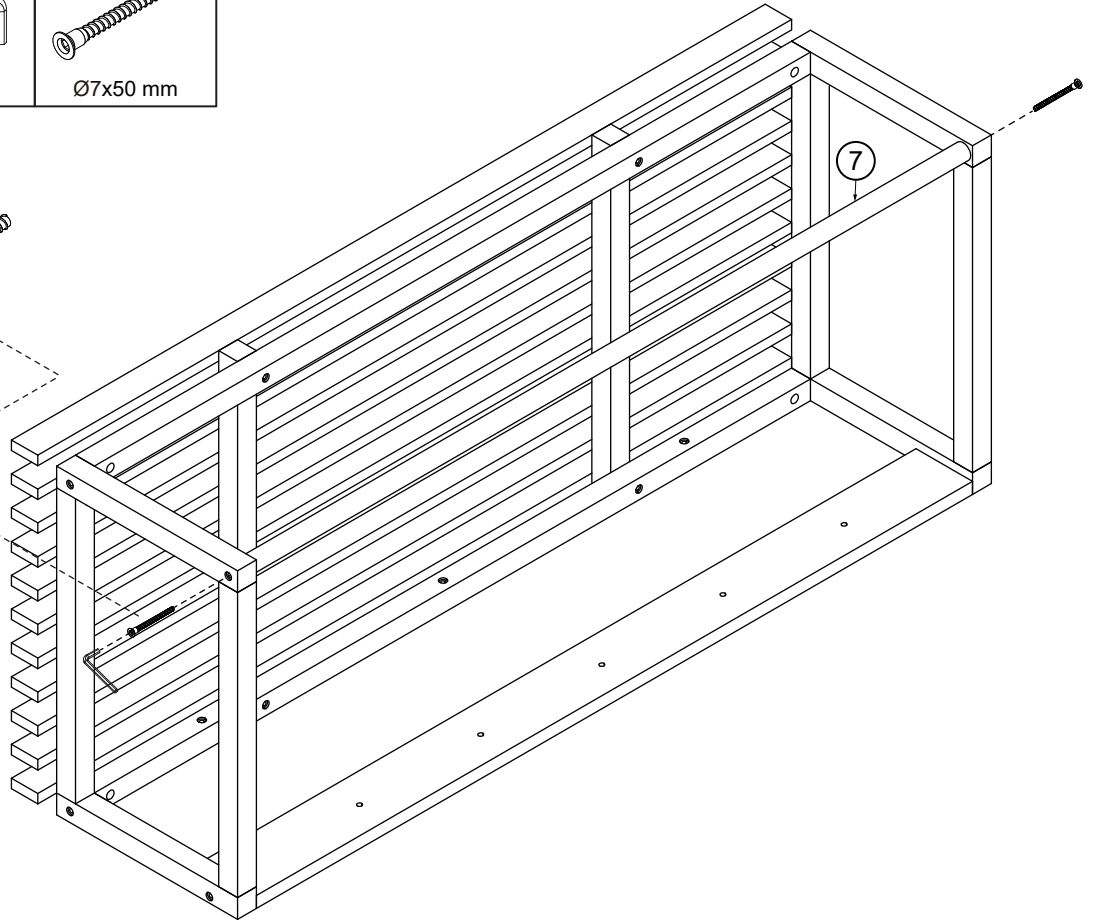
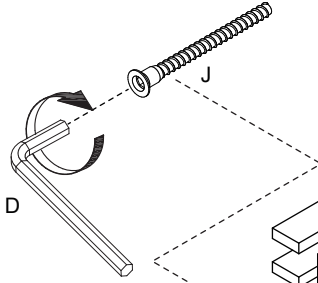
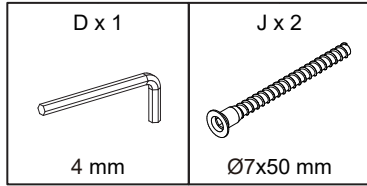


# 4

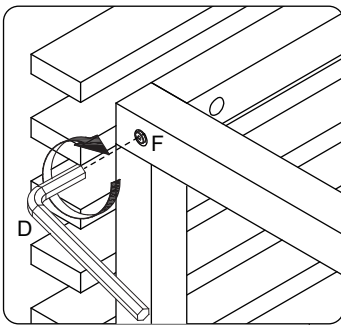
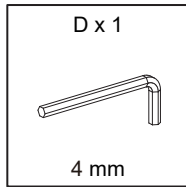
D x 1	F x 3	G x 3
		
4 mm	M6x50 mm	M6/Ø10x10 mm



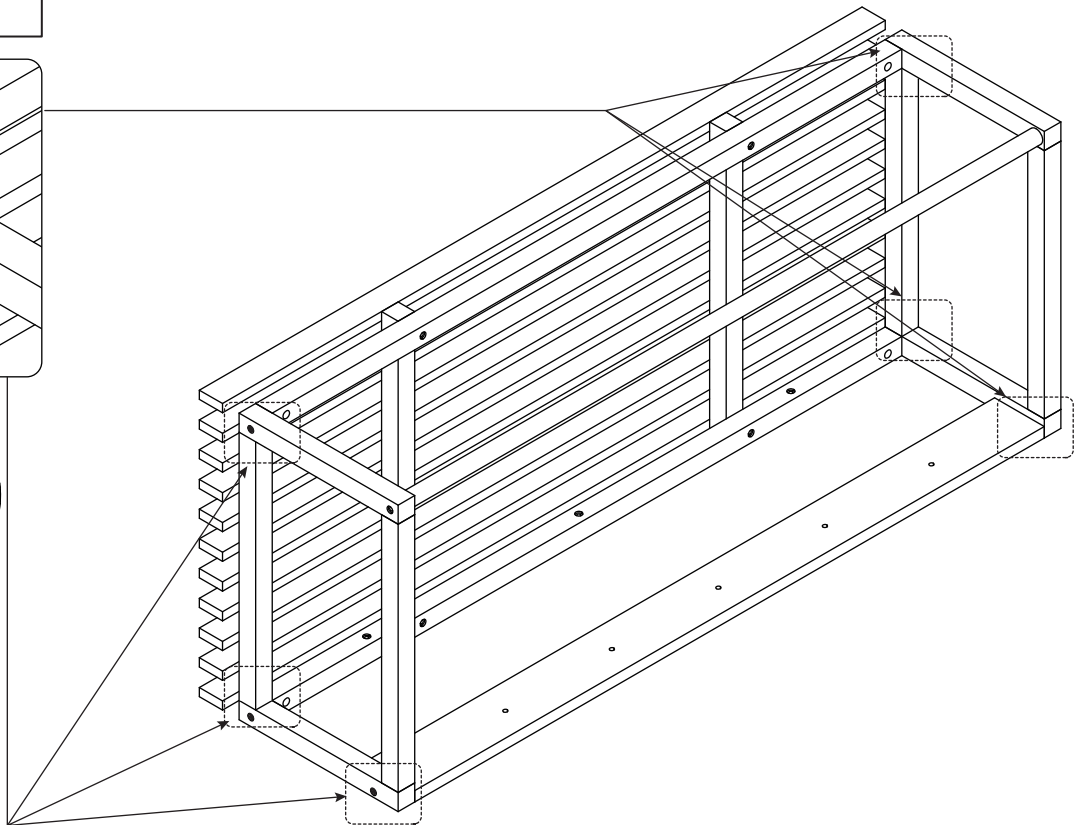
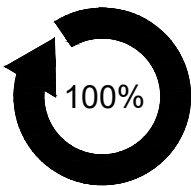
# 5



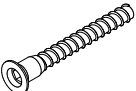
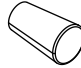

# 6

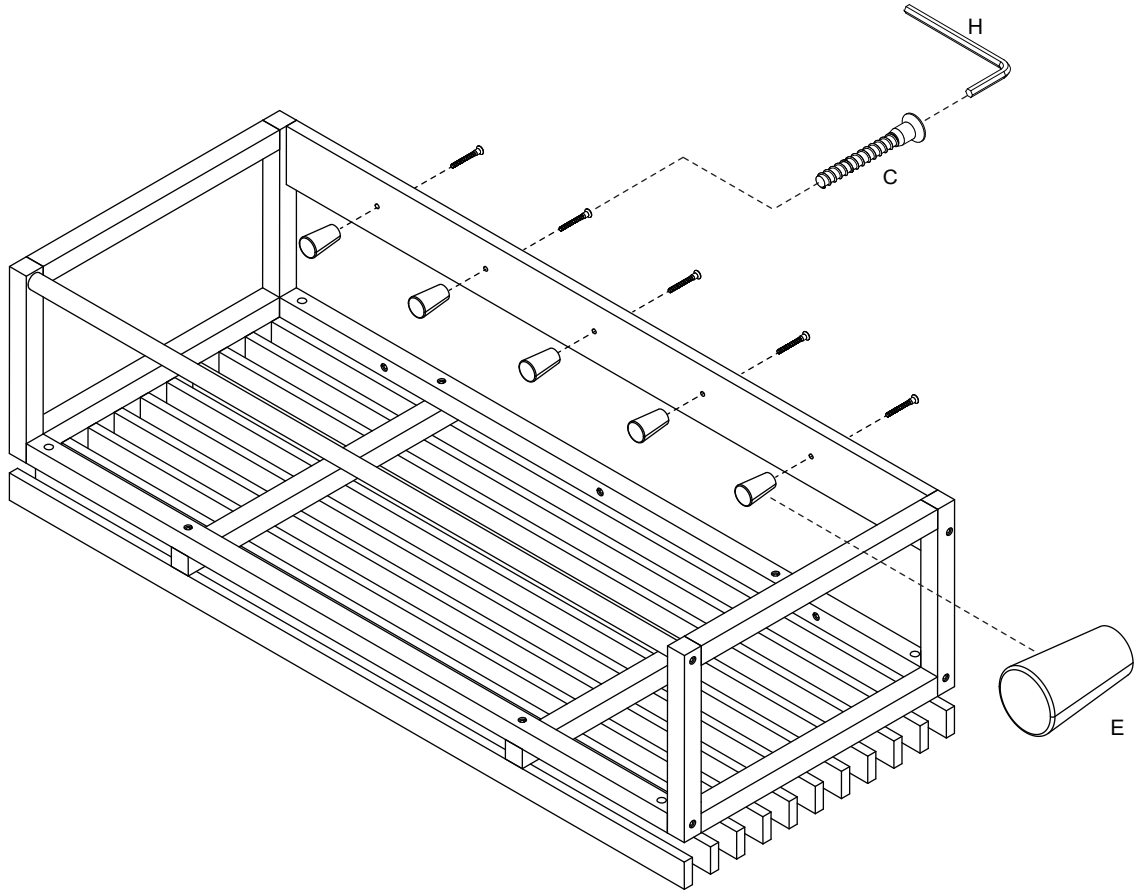


**F x 6**

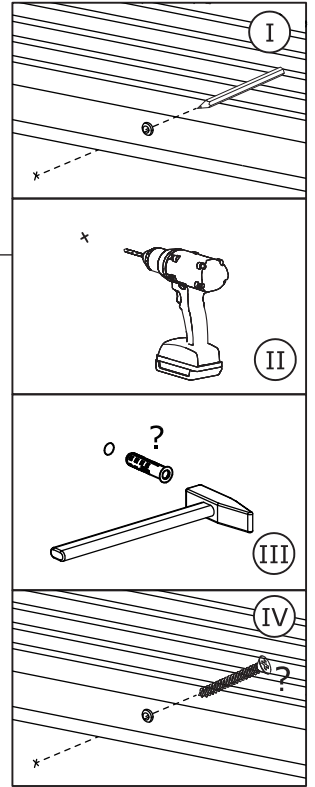
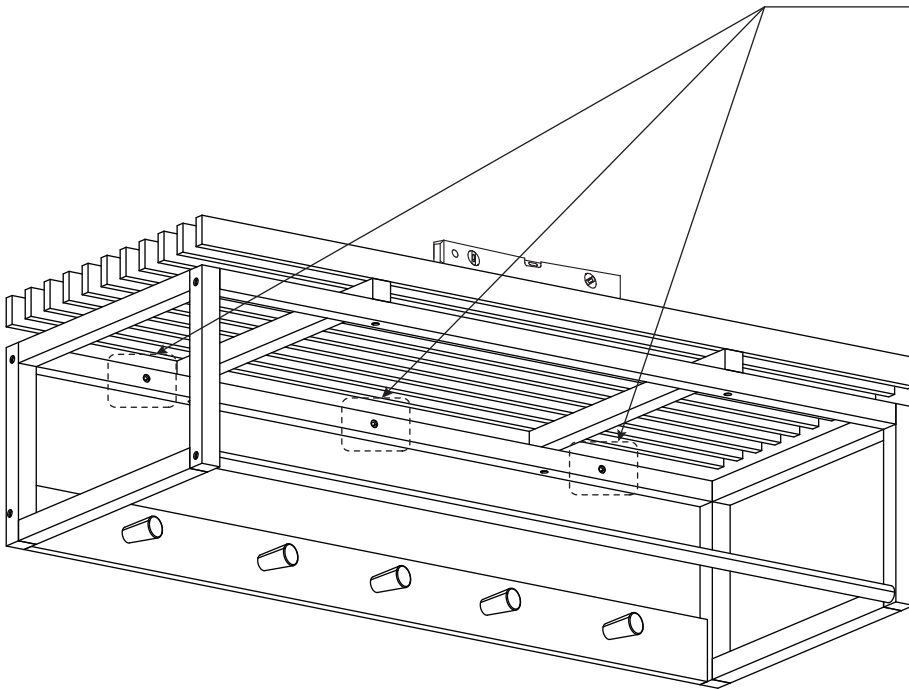
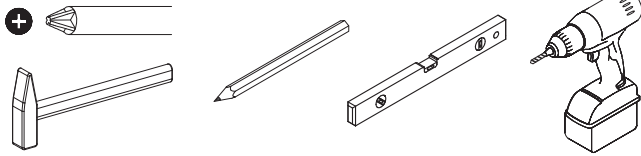


# 7

C x 5  Ø5x30 mm	E x 5  Ø20x40 mm	H x 1  3 mm
--	---	--



8





9

