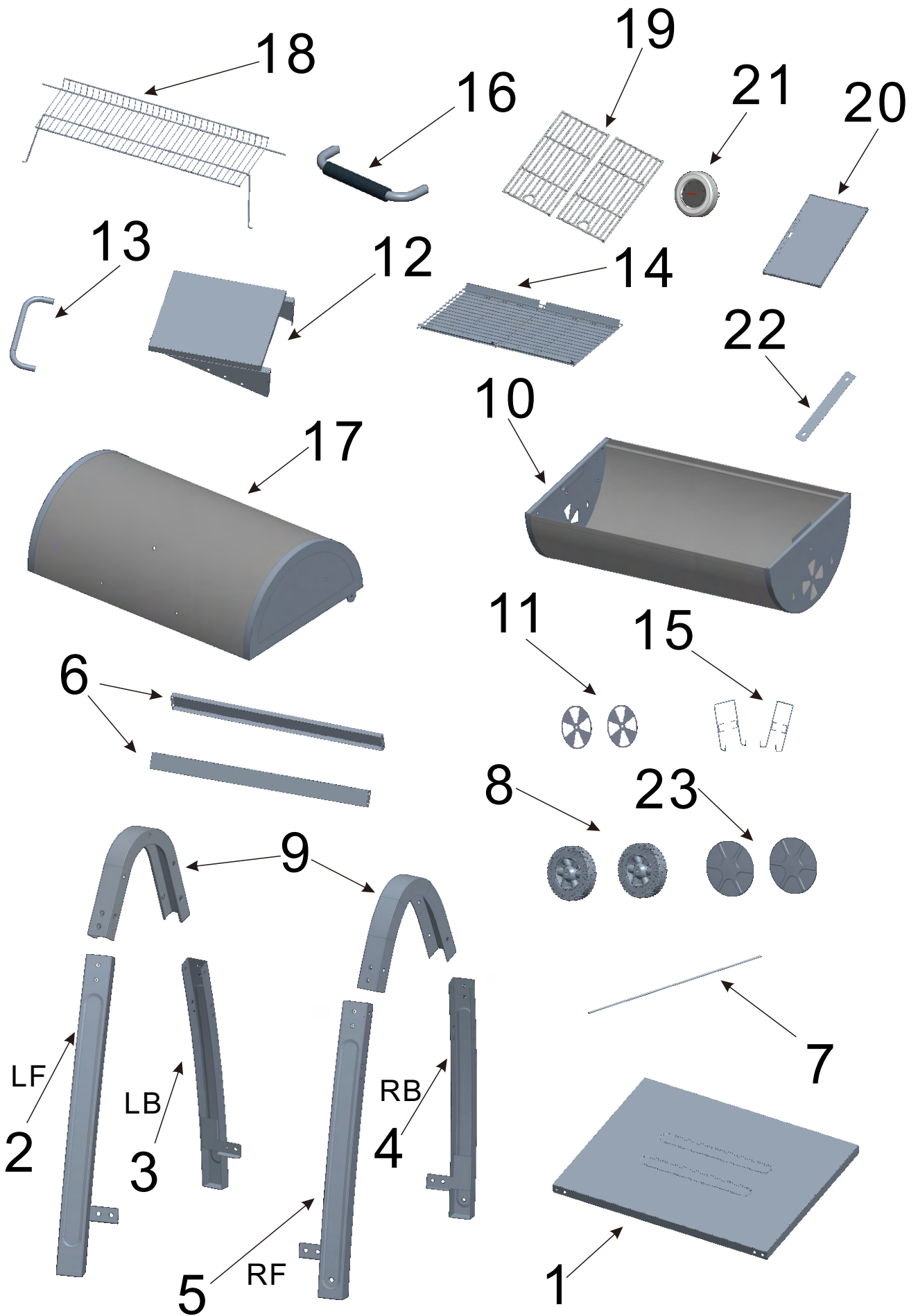
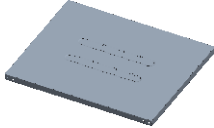






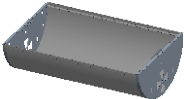

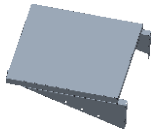



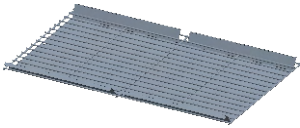


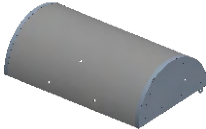


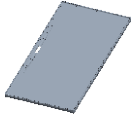








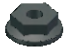


PH2





NO.	DESCRIPTION	QTY
1		1
2		1
3		1
4		1
5		1
6		2
7		1
8		2
9		2
10		1
11		2
12		1

NO.	DESCRIPTION	QTY
13		1
14		1
15		2
16		1
17		1
18		1
19		2
20		1
21		1
22		1
23		2

NO.	DESCRIPTION	SPEC	QTY
A		M6 x 14	48PCS
B		Φ 1.2 x 21	4PCS
C			2PCS
D		M6	16PCS
E		M6	2PCS
F		Φ 6	2PCS

1



x1



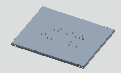
x1



x1



x1



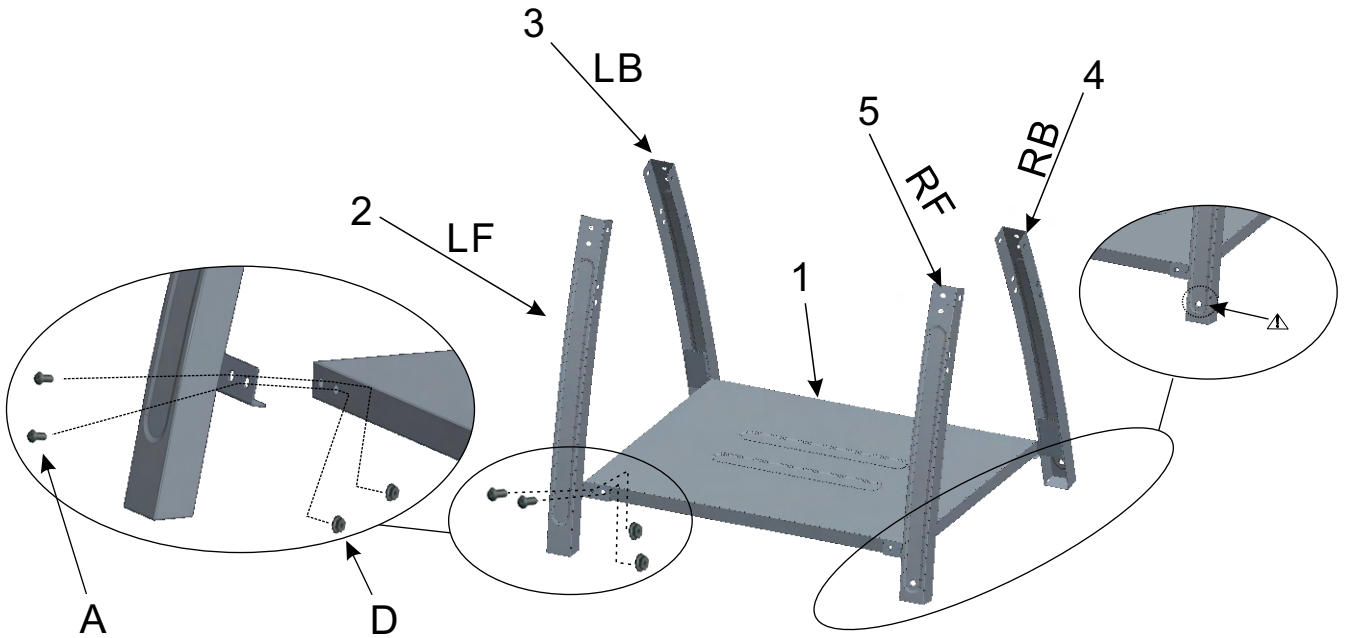
x1



Ax8



Dx8



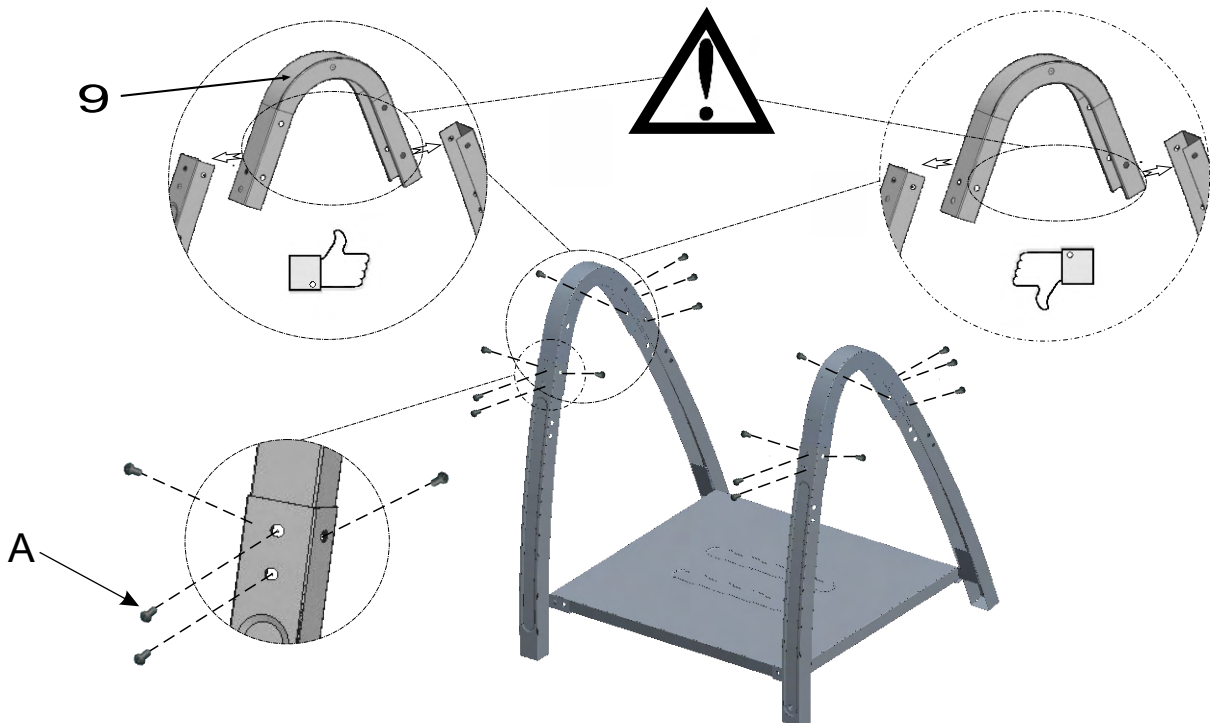
2



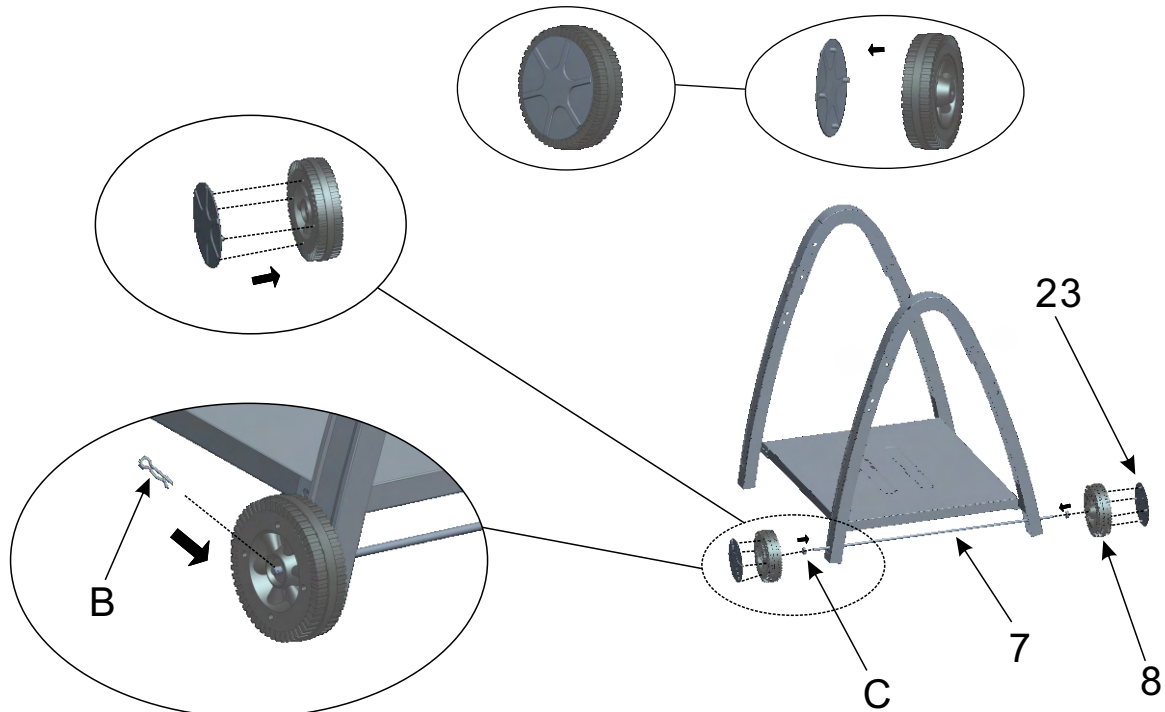
x2


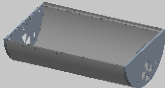




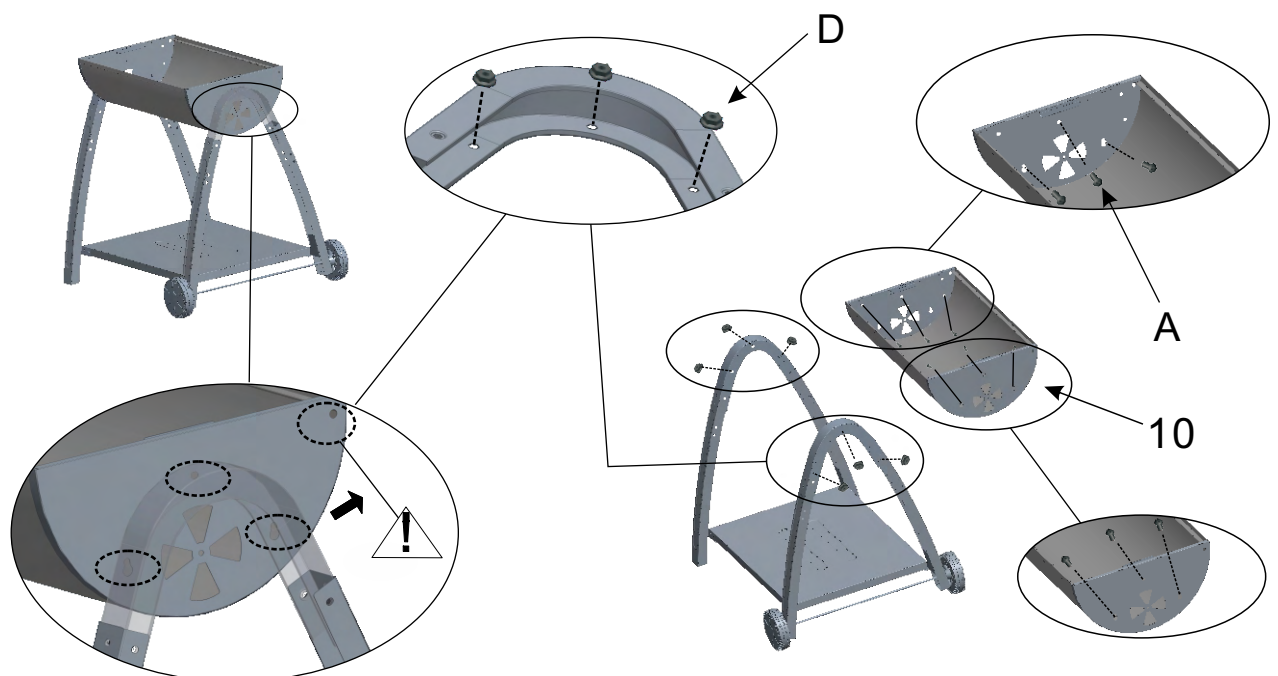
Ax16






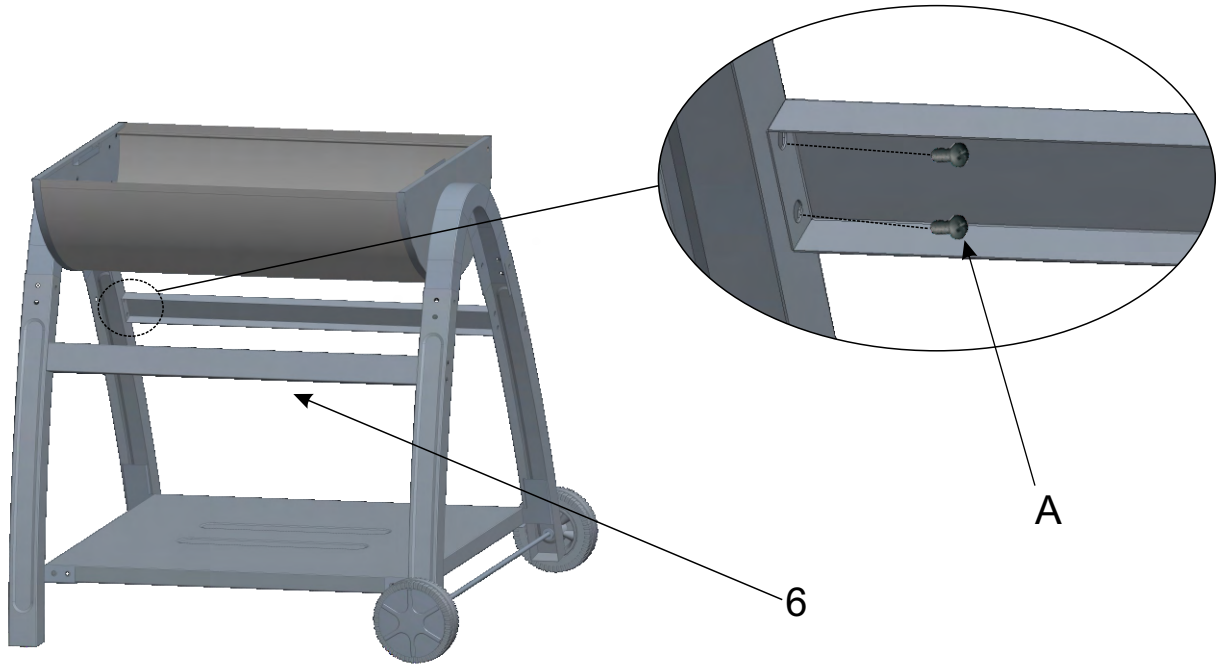
- 3   x2 /  x1  x2  Bx2  Cx2



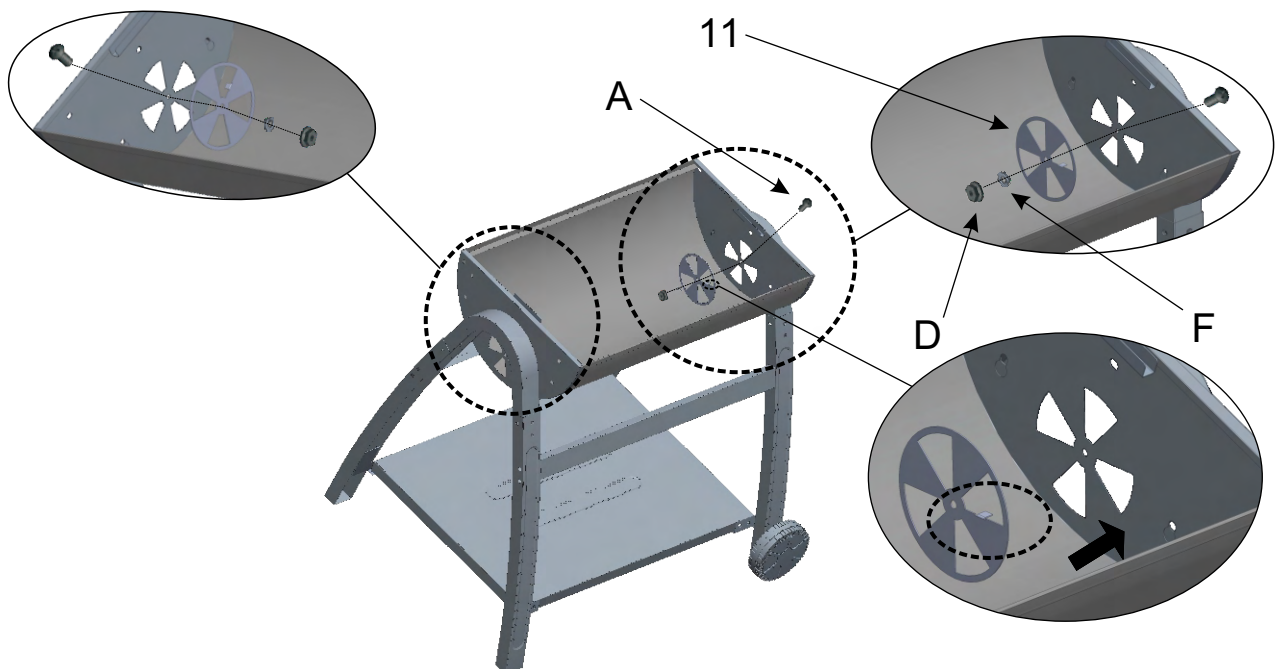
- 4   x1  Ax6  Dx6



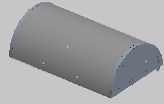
5   x2  Ax8



6   x2  Ax2  Dx2  Fx2



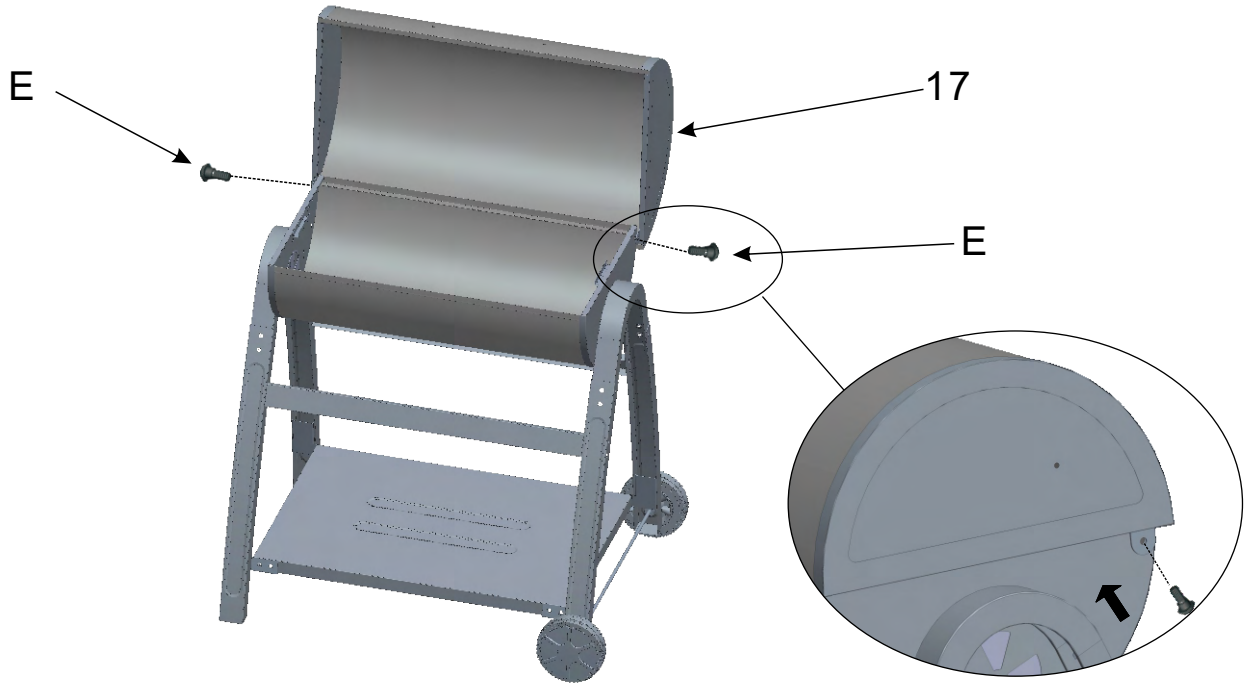
7



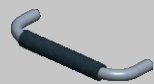
x1



Ex2



8



x1



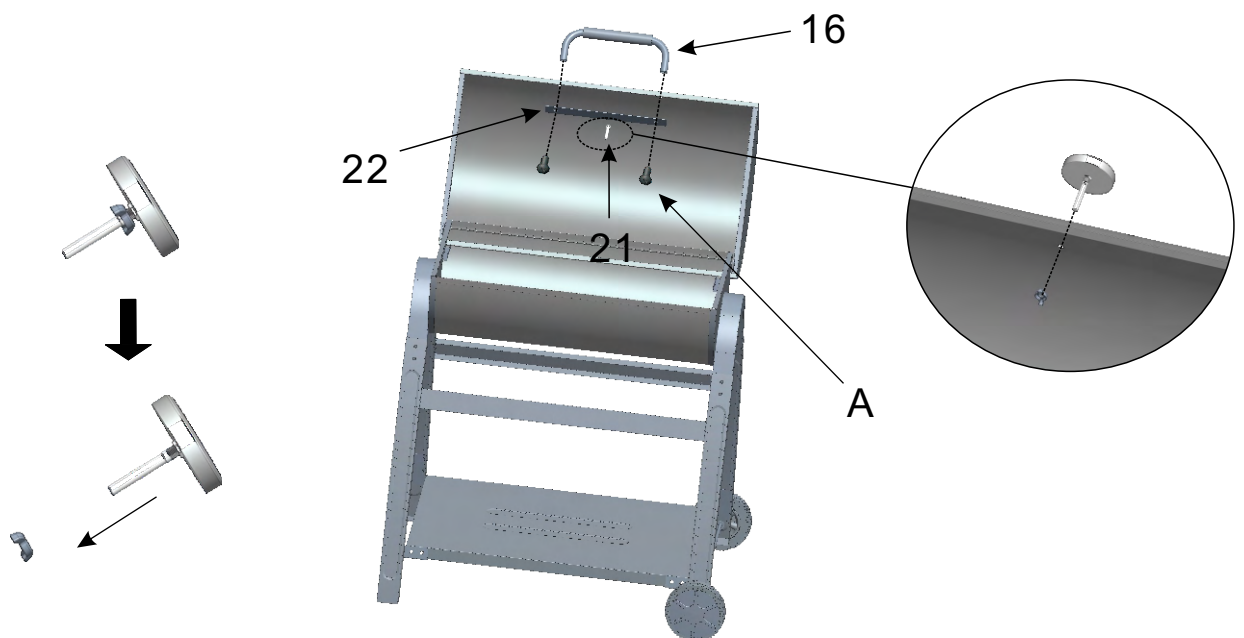
x1



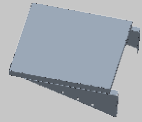
x1



Ax2



9



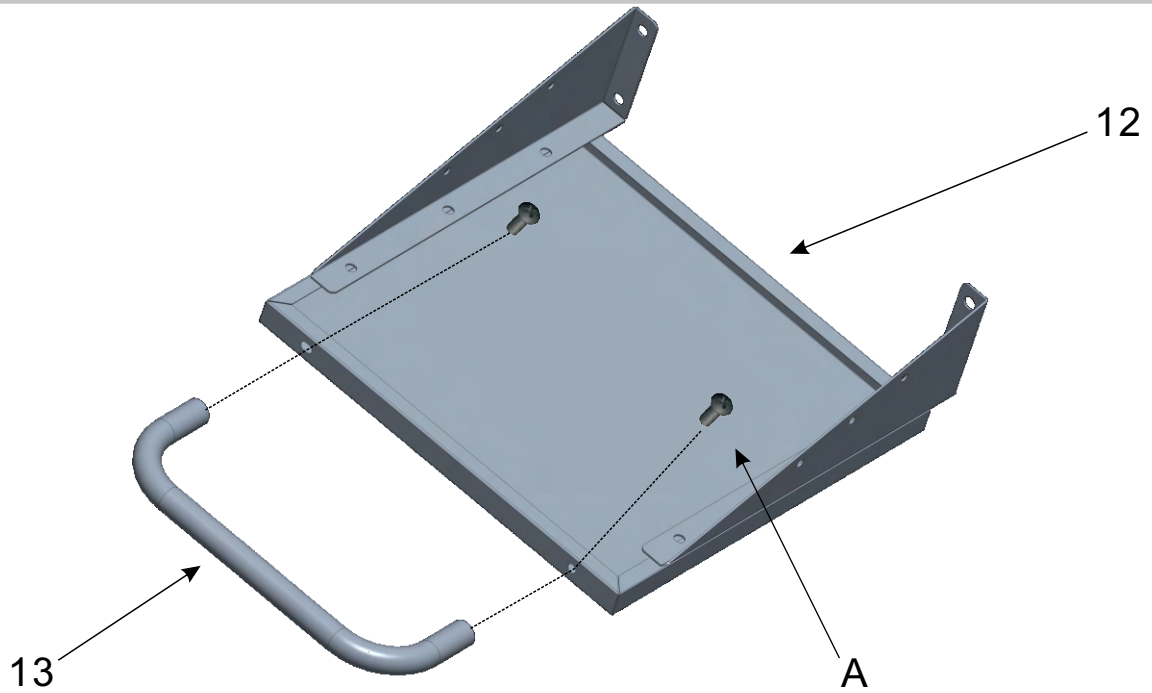
x1



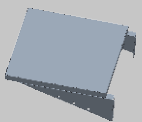
x1



Ax2



10



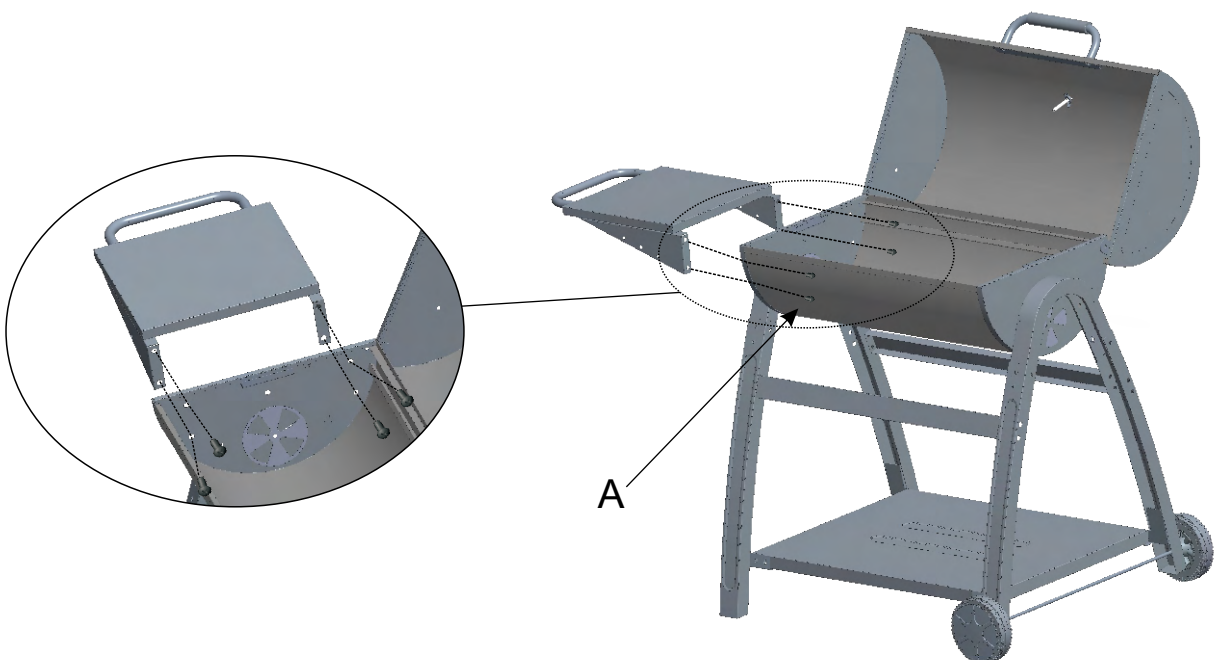
x1


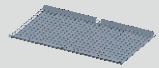



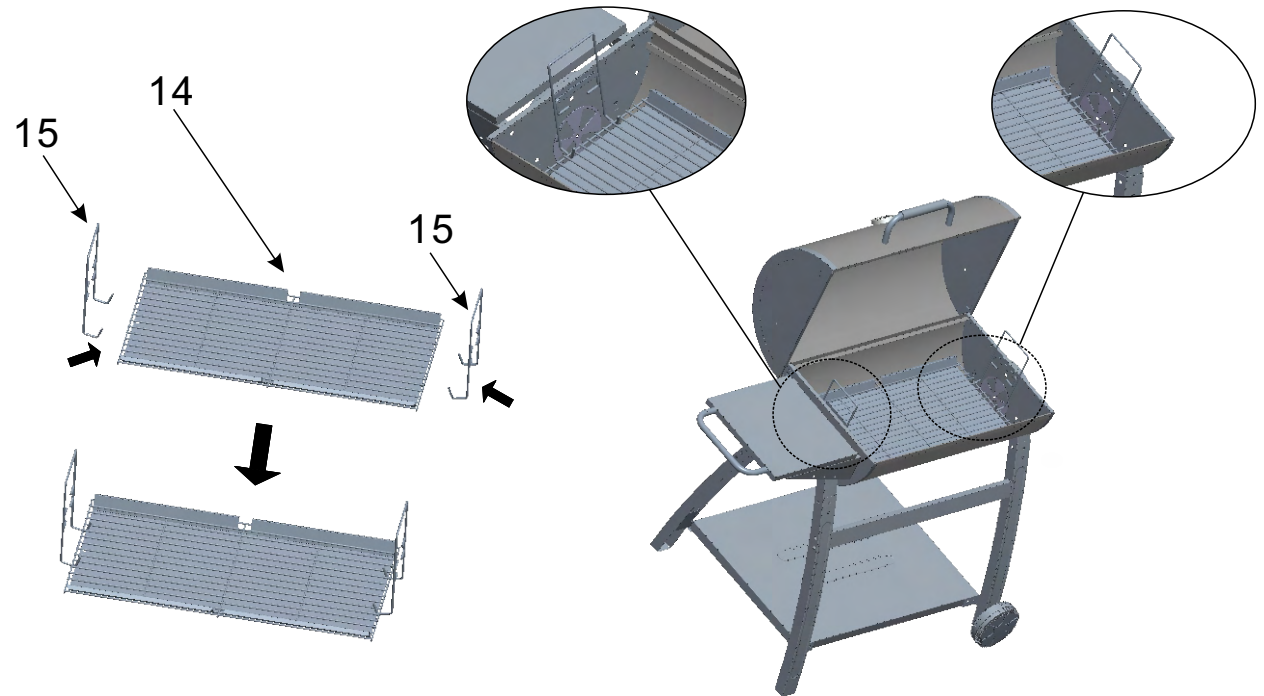
x1


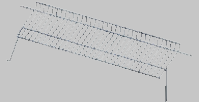



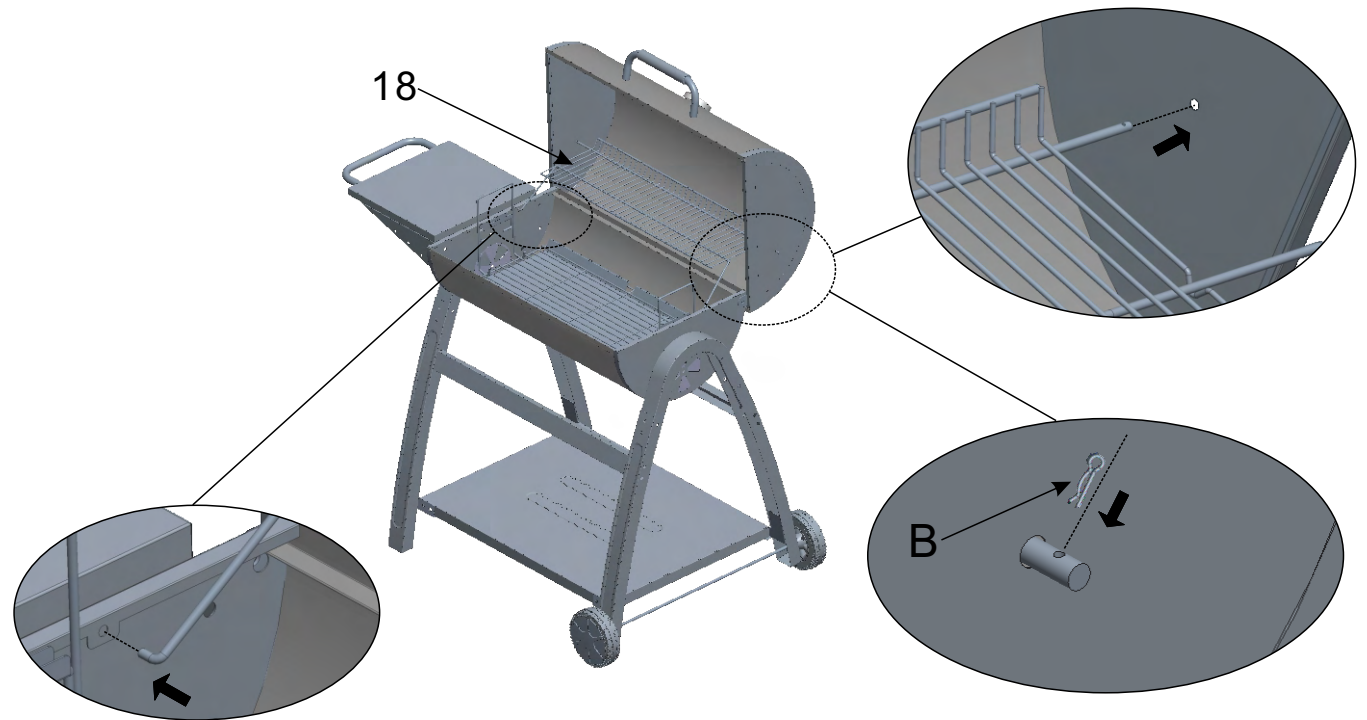
Ax4



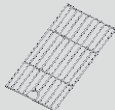
- 11   x1  x2



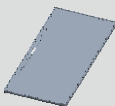
- 12   x1  Bx2



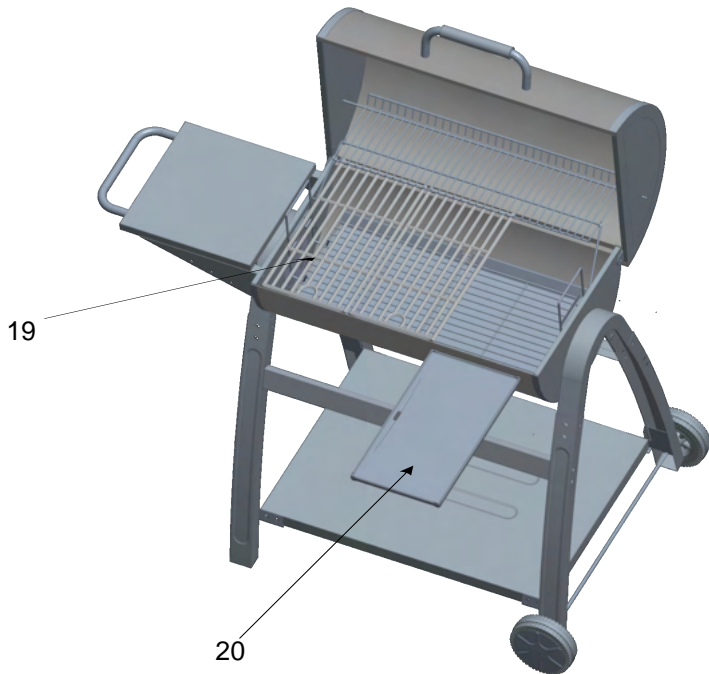
13



x2



x1



14

