

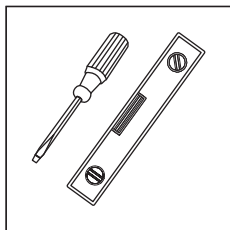
# ASTERIA

mini | user guide

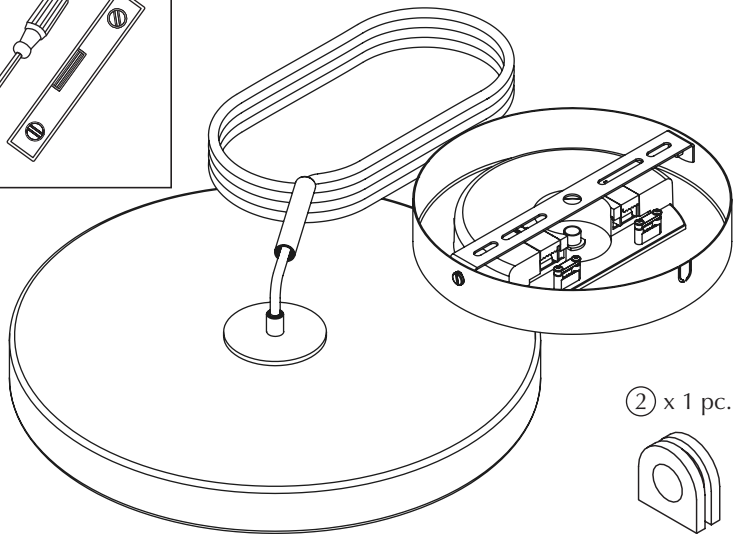


UMAGE

## ASSEMBLY GUIDE



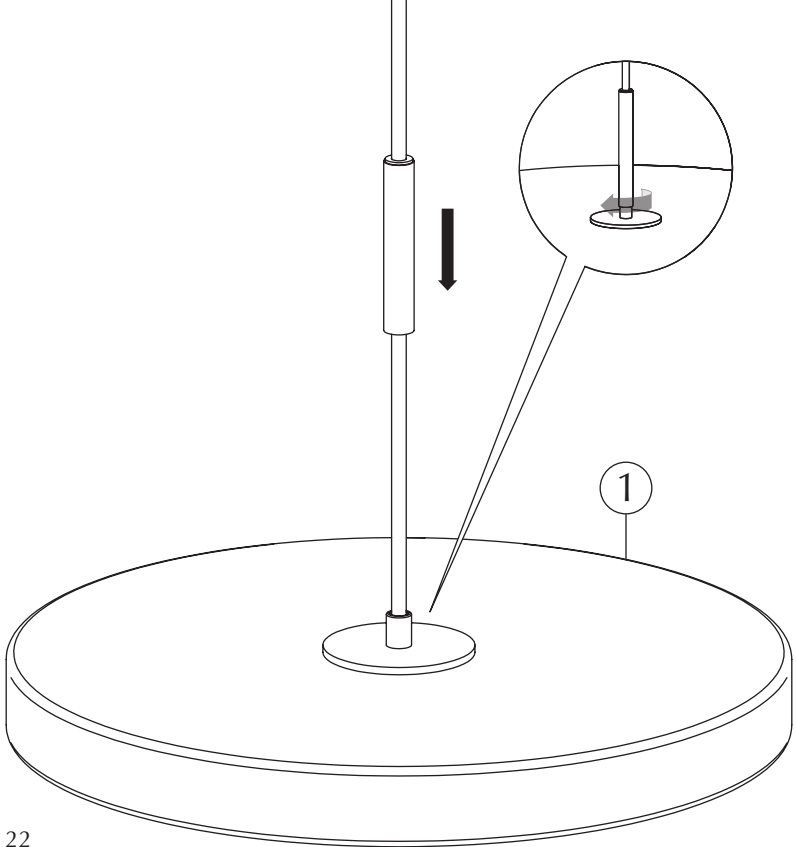
① x 1 pc.

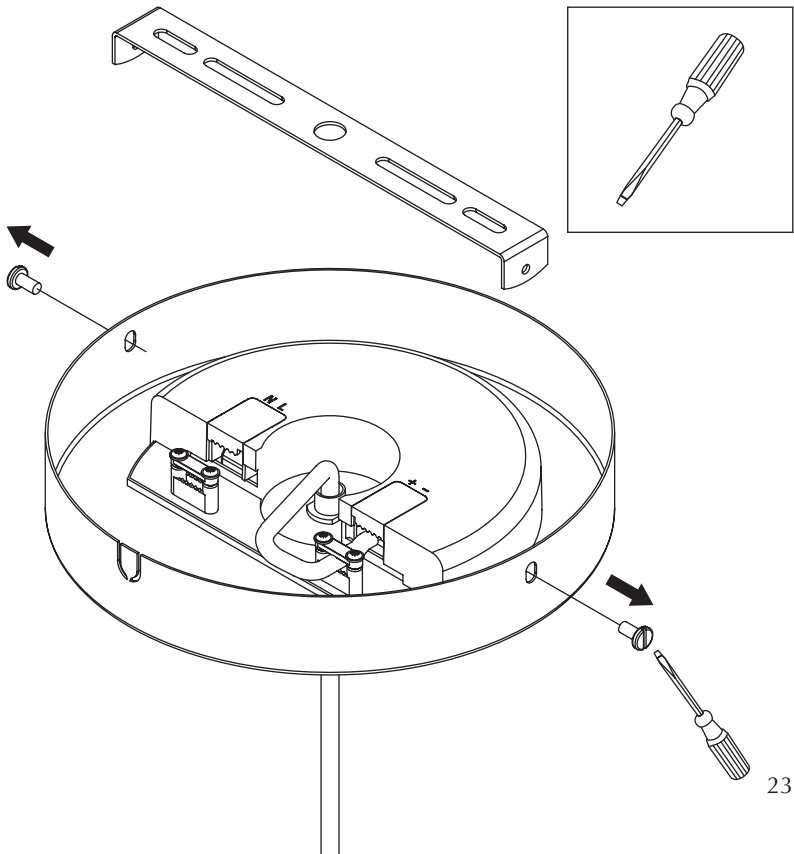


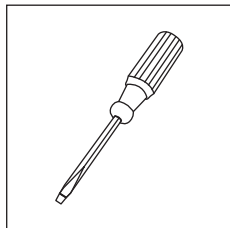
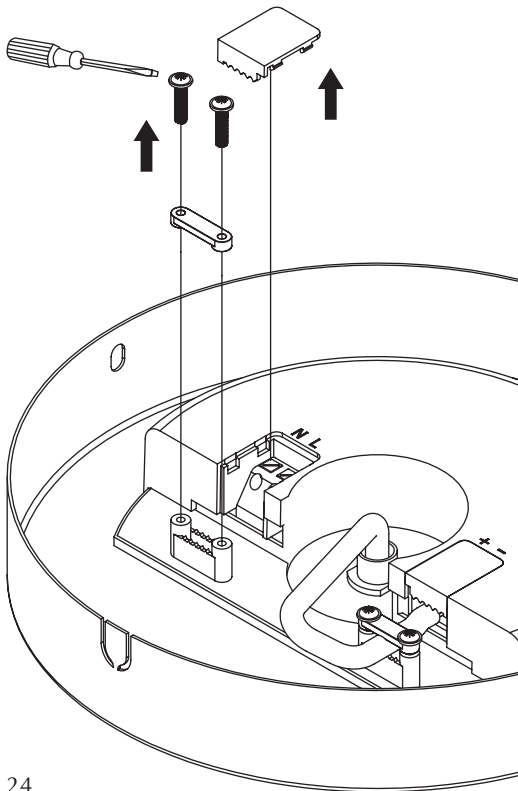
② x 1 pc.



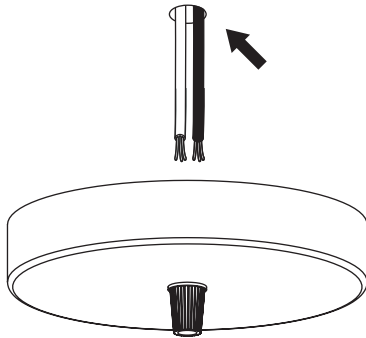
Find assembly videos by using the QR code or by going online at our website  
[umage.com/instructions](http://umage.com/instructions)



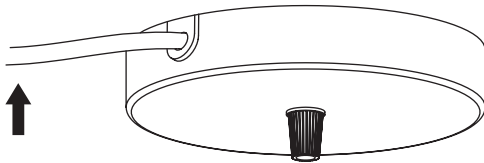




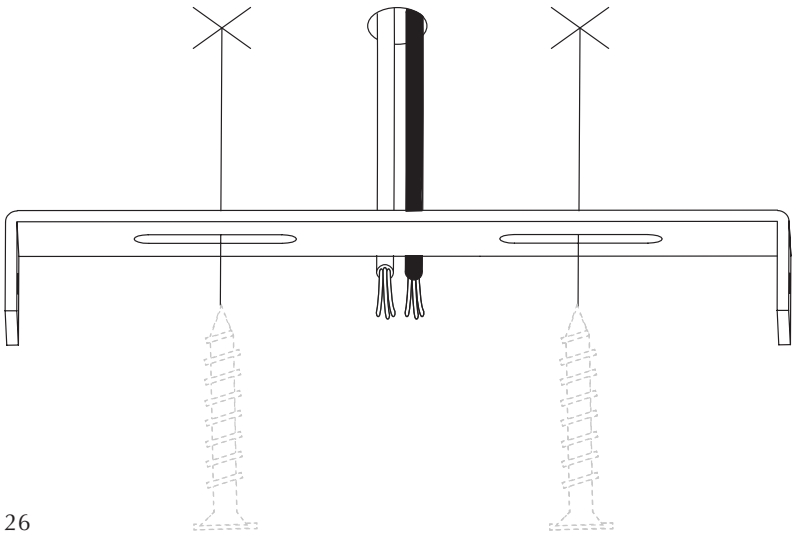
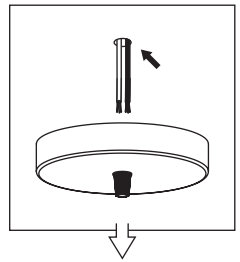
A



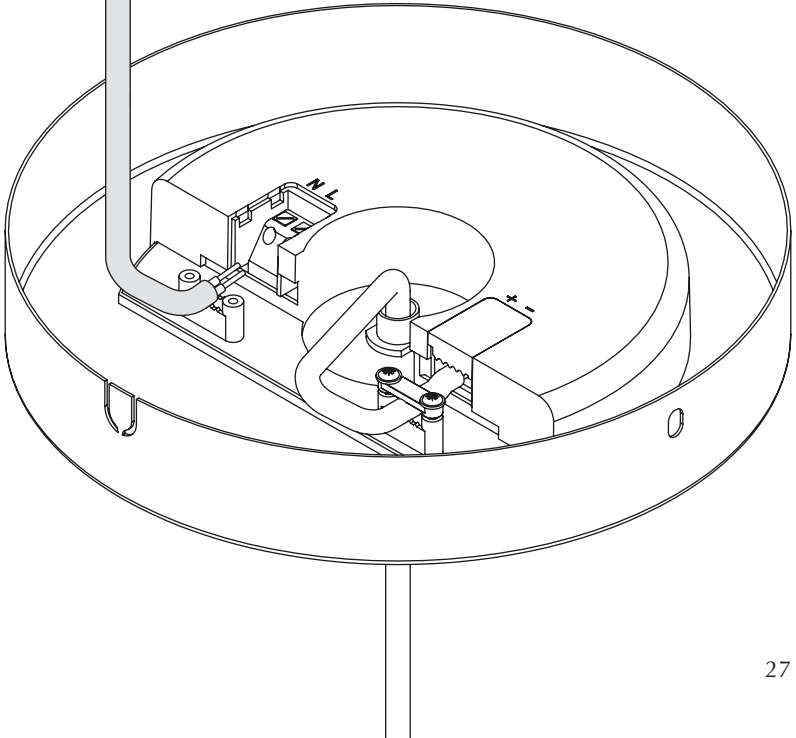
B



A.1

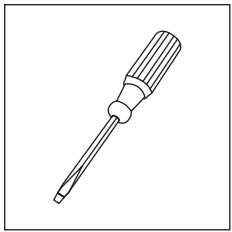
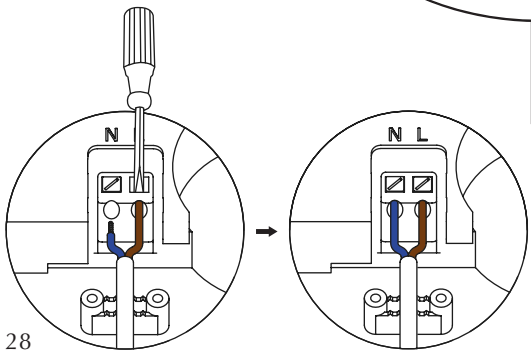
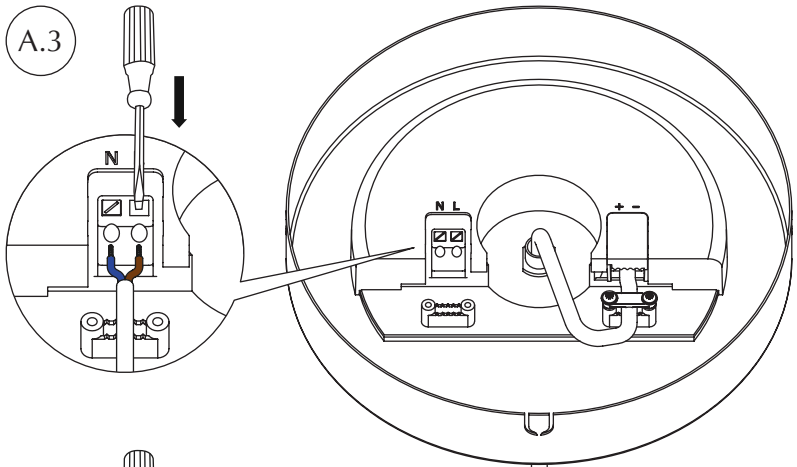


A.2

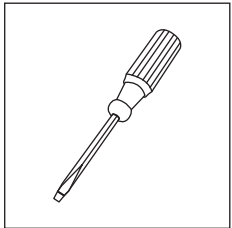
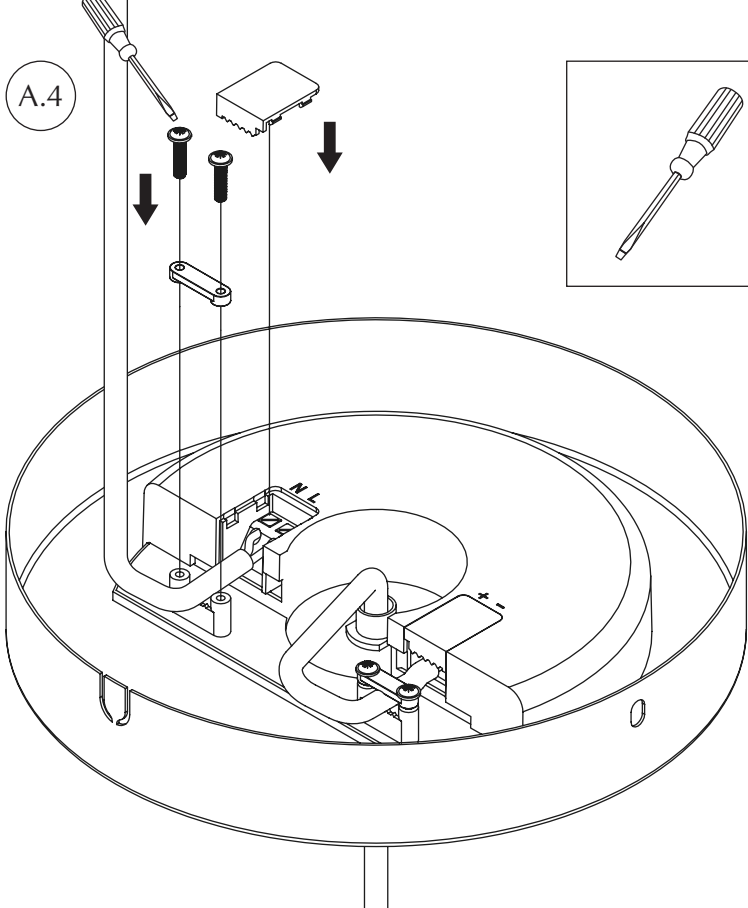




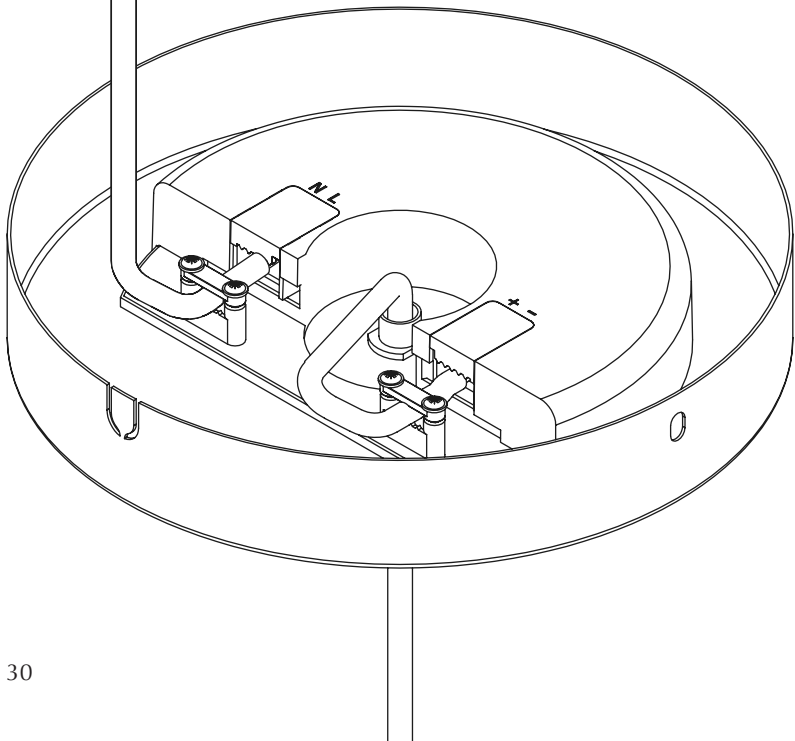
A.3



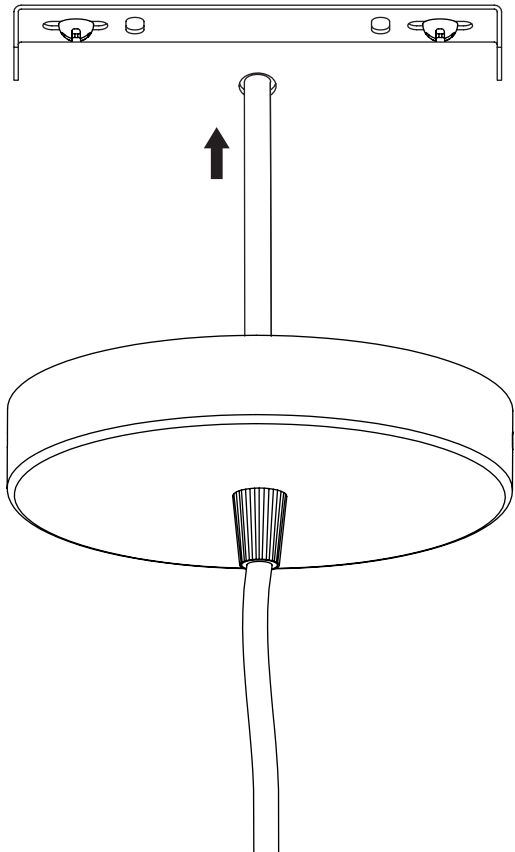
A.4



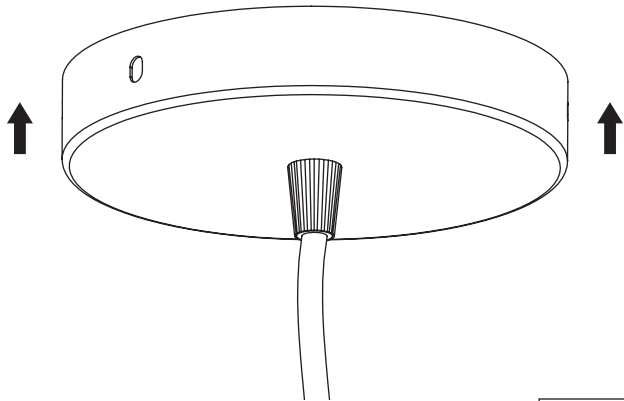
A.5



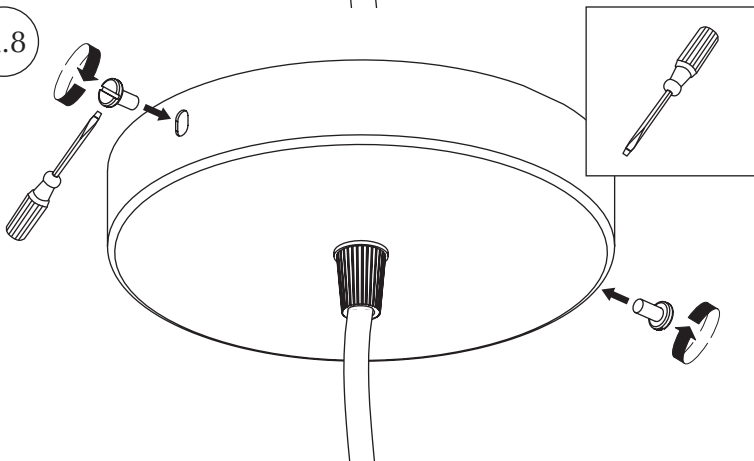
A.6



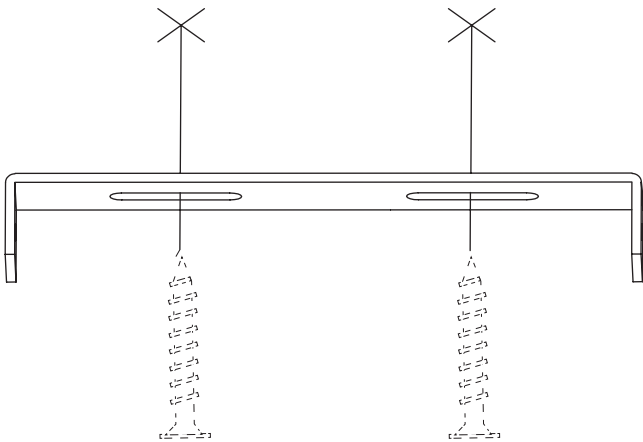
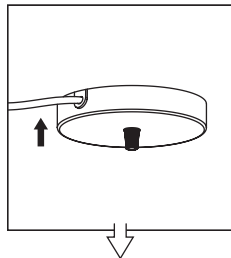
A.7



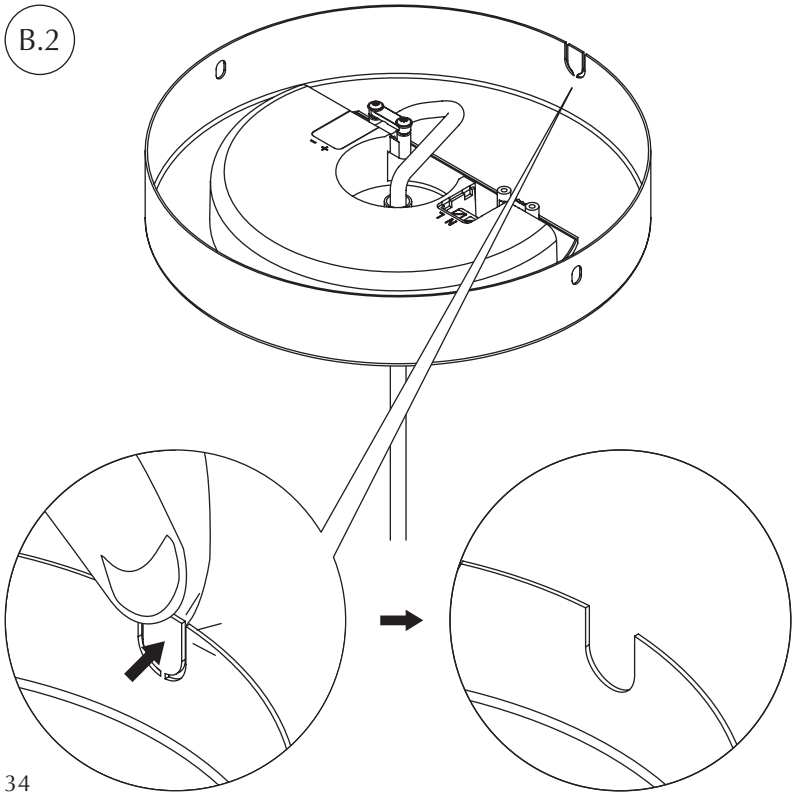
A.8



B.1

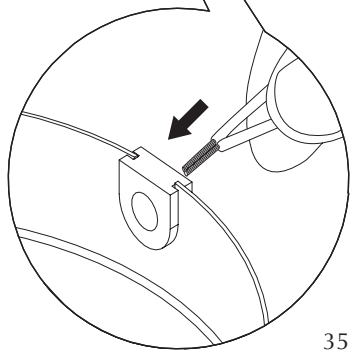
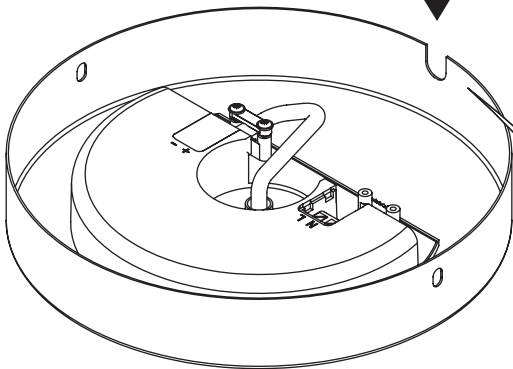


B.2



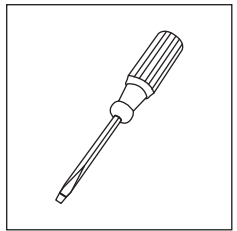
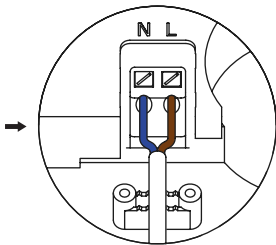
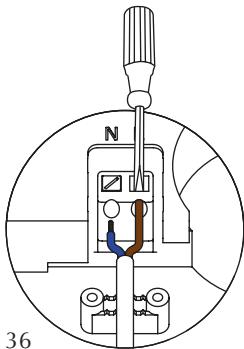
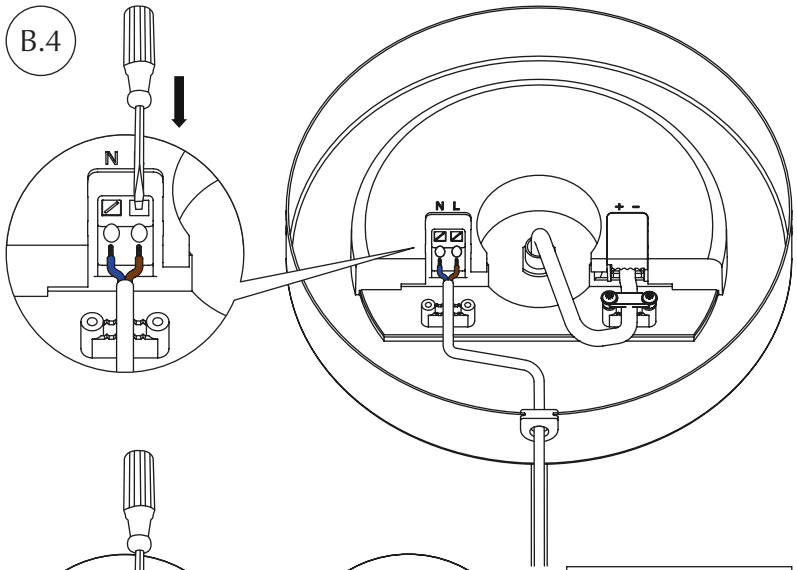
B.3

2

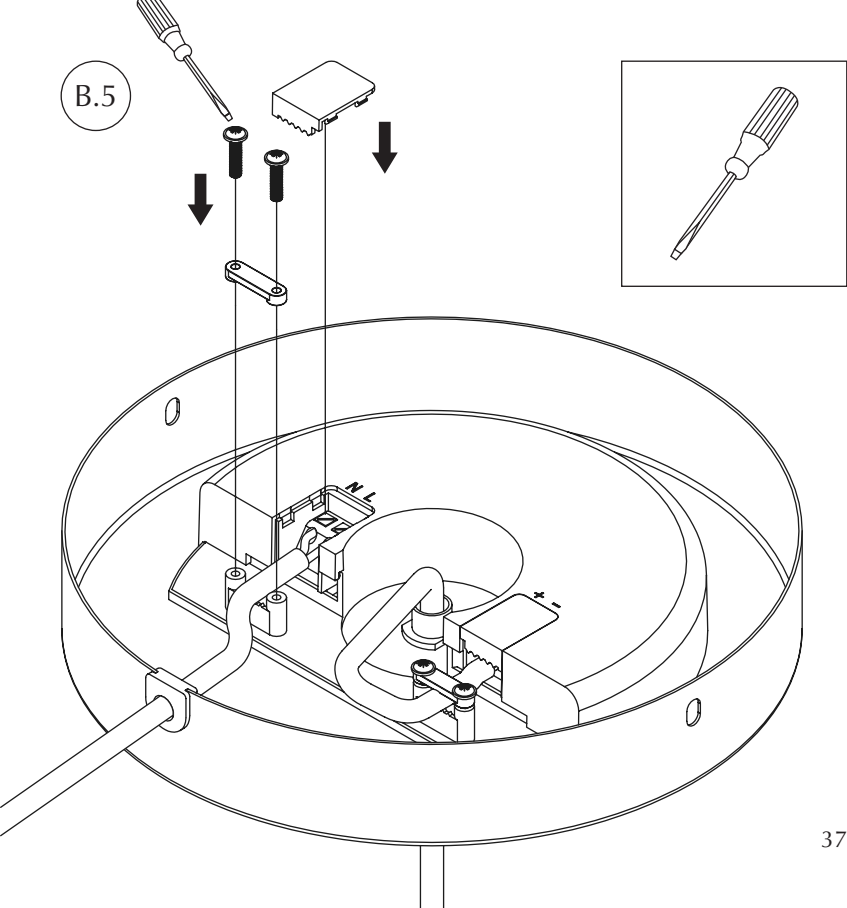




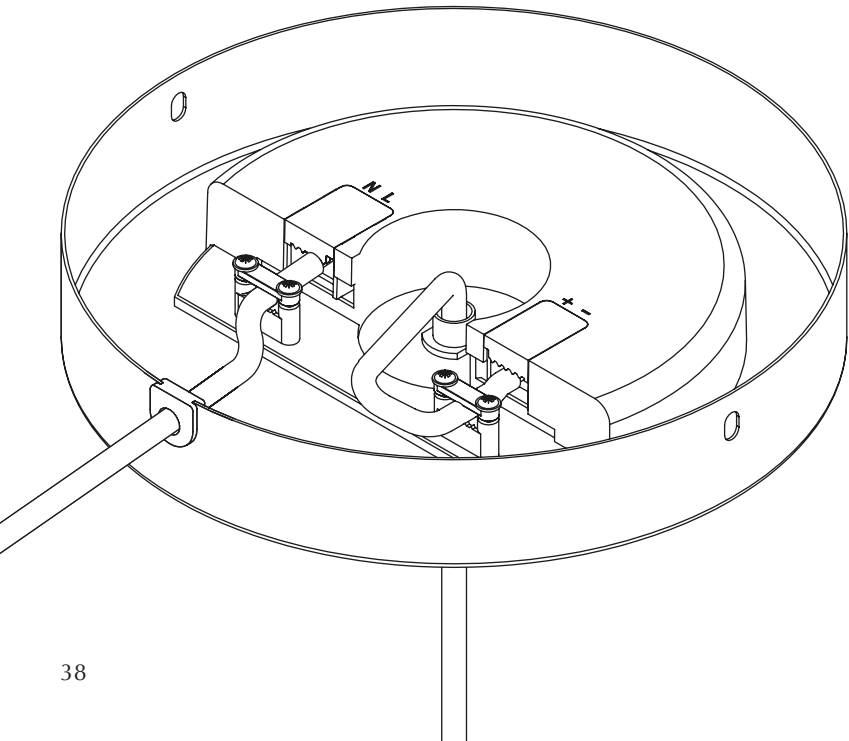
B.4



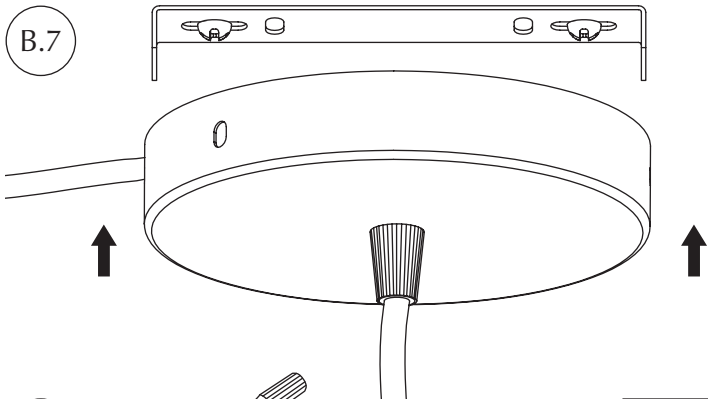
B.5



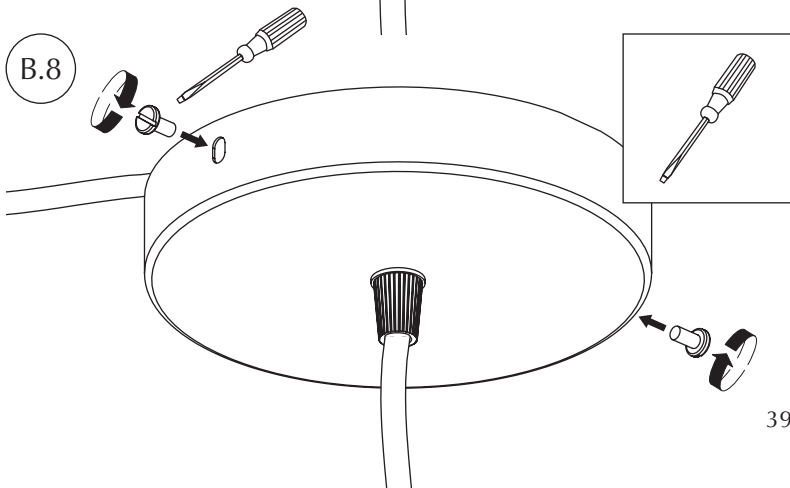
B.6

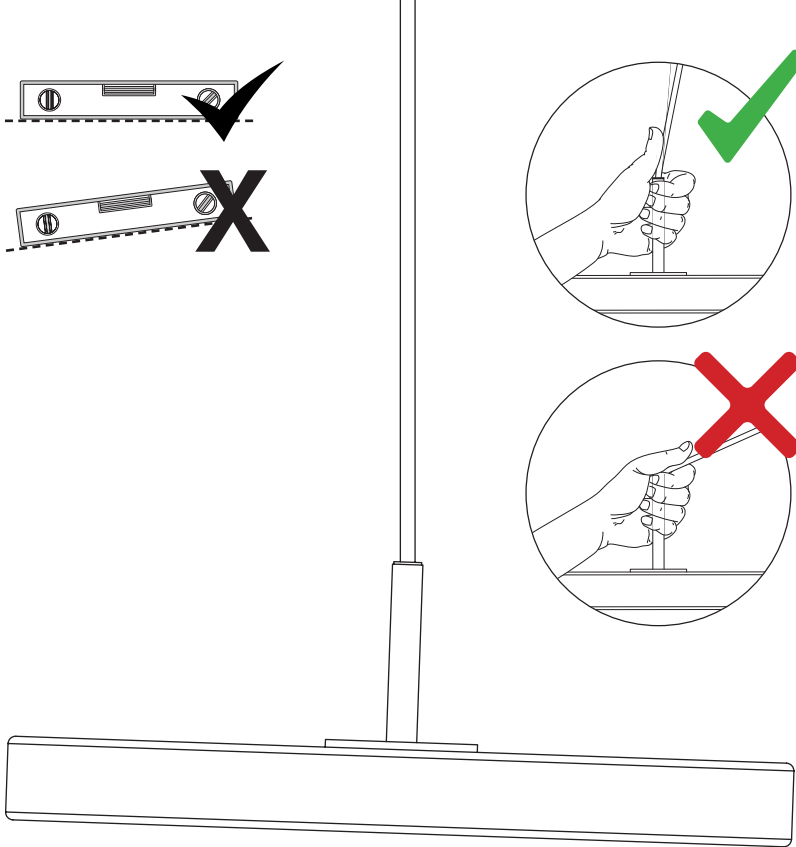
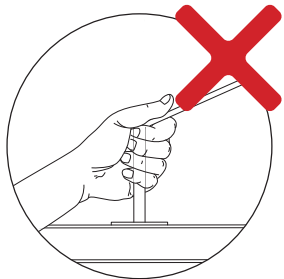
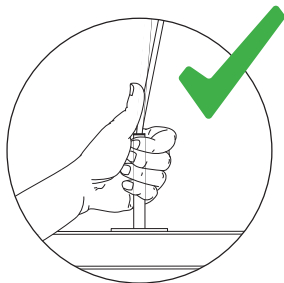
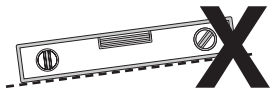
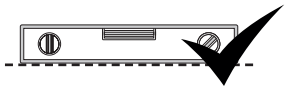


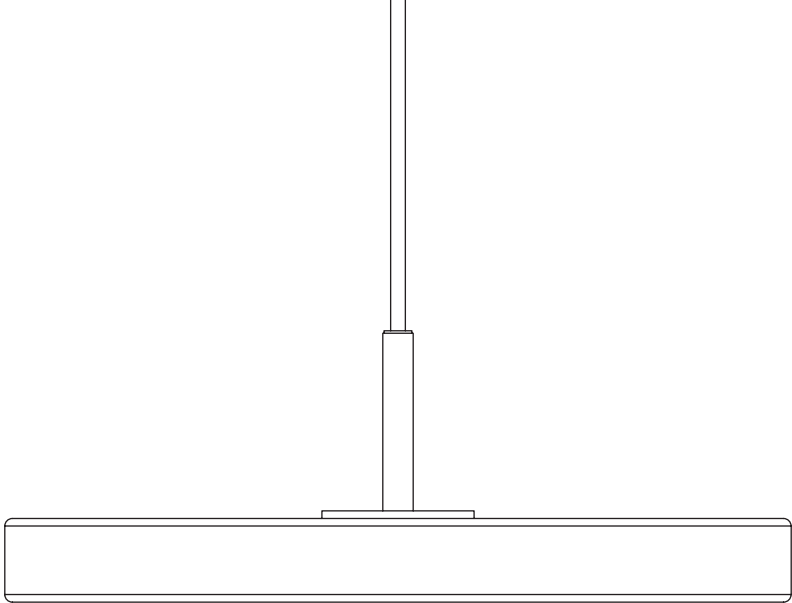
B.7



B.8

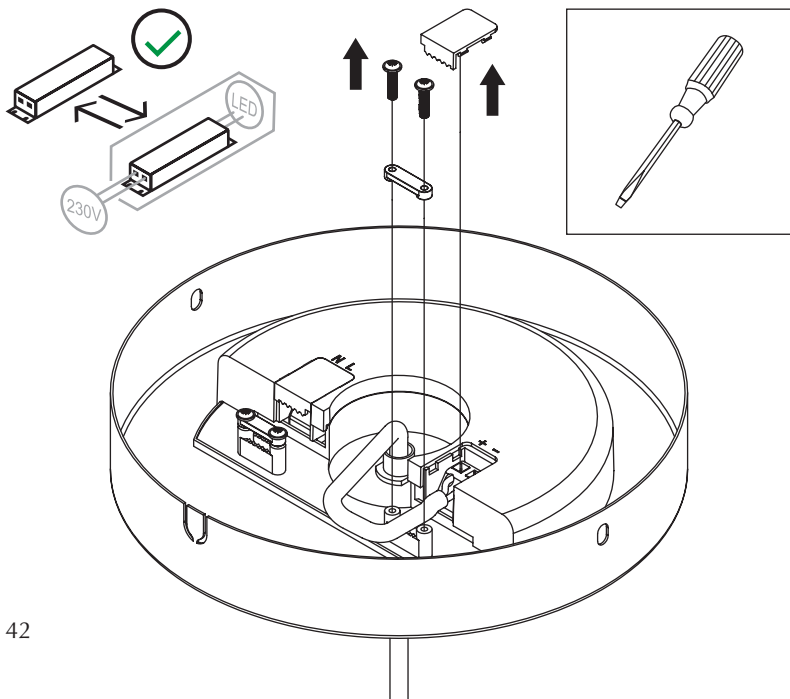


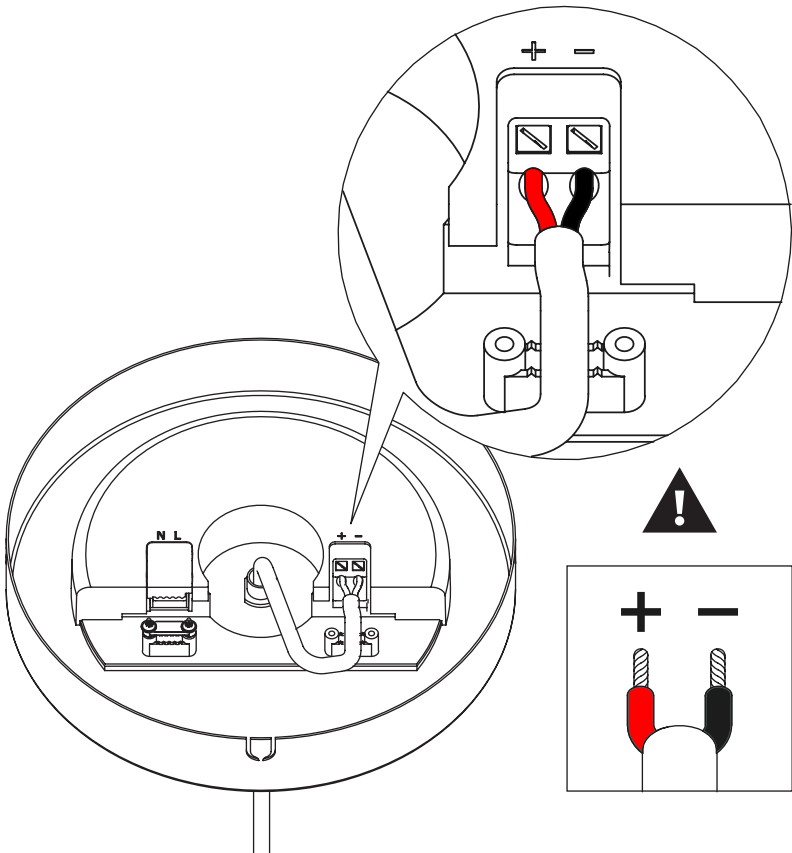




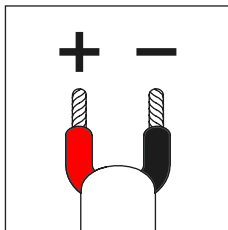
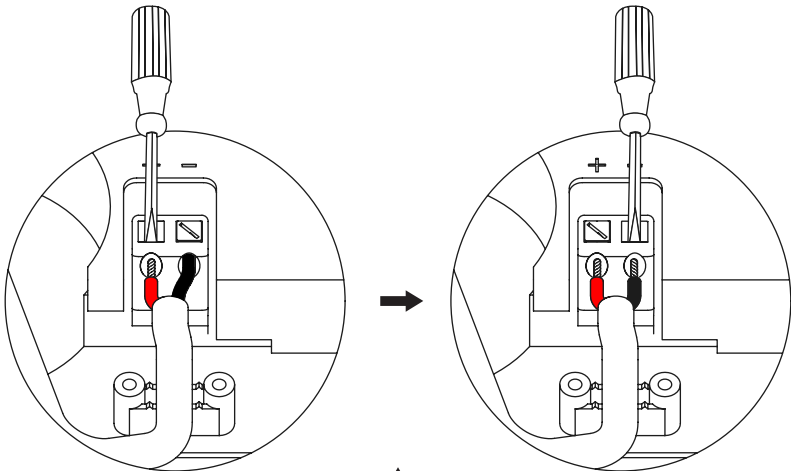
# HOW TO REMOVE / REPLACE SEPARATE CONTROL GEAR

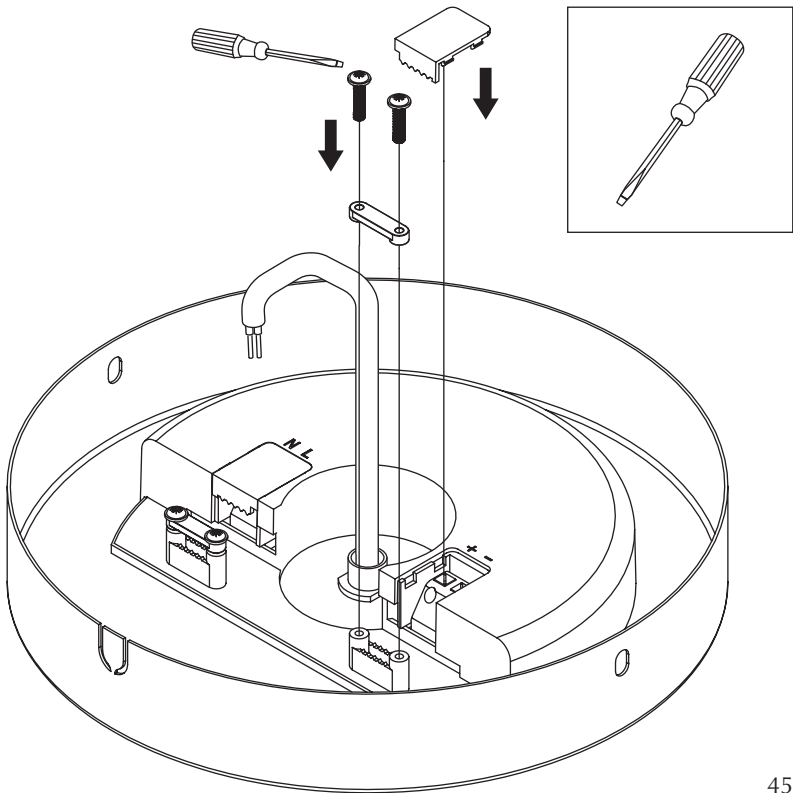
Only use control gear from UIMAGE

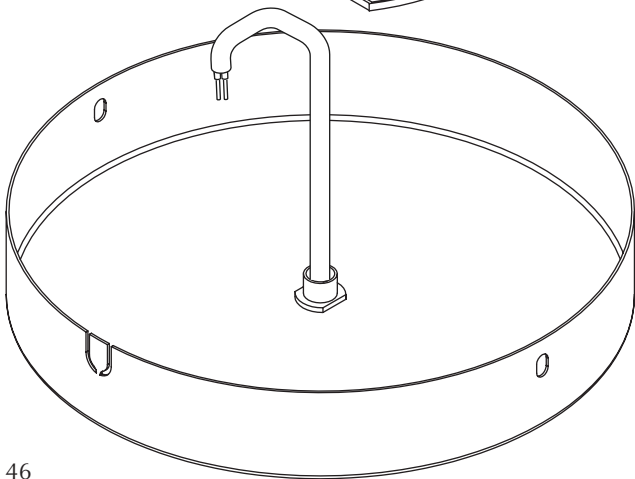
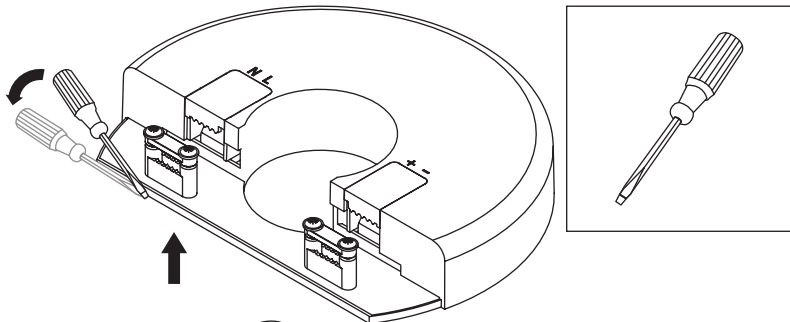


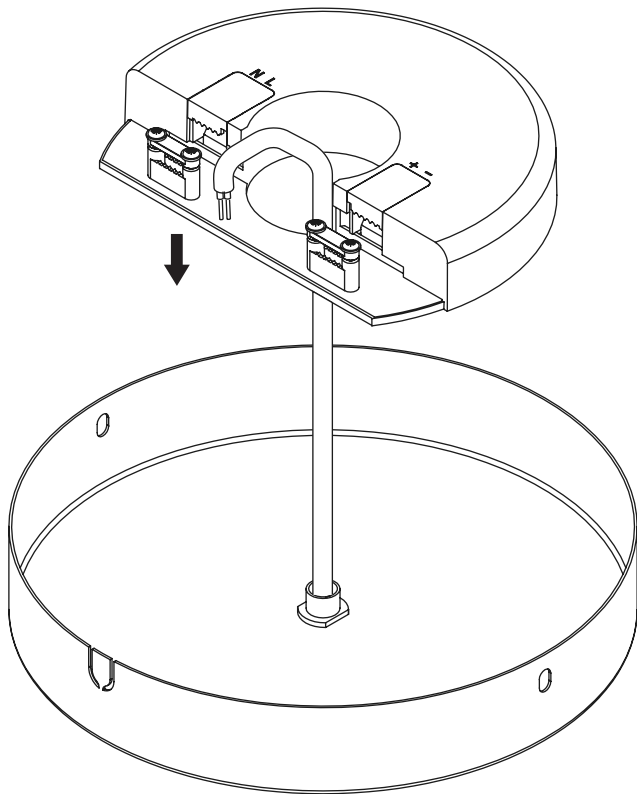


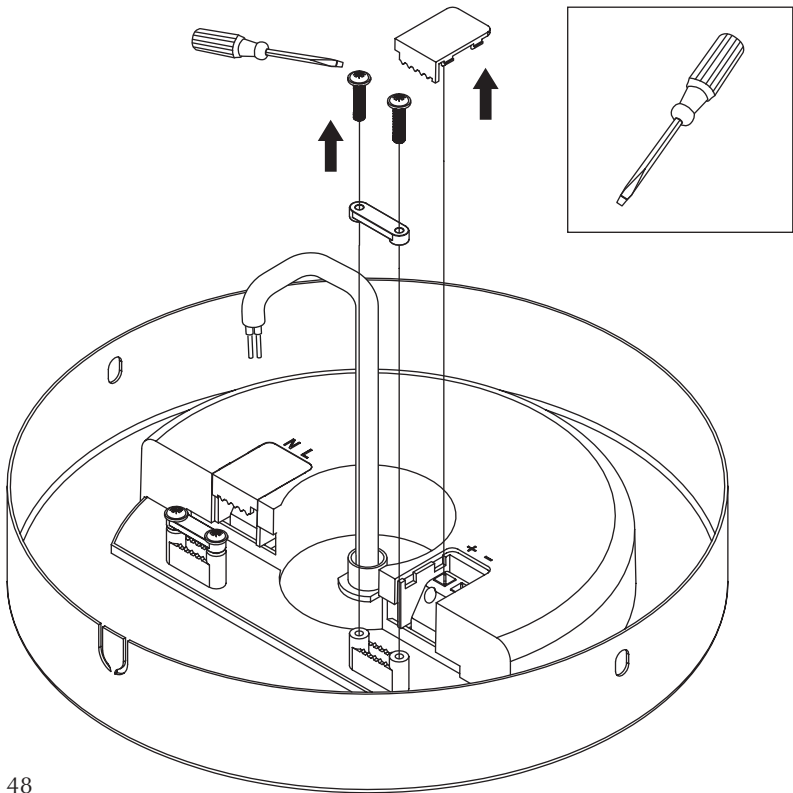


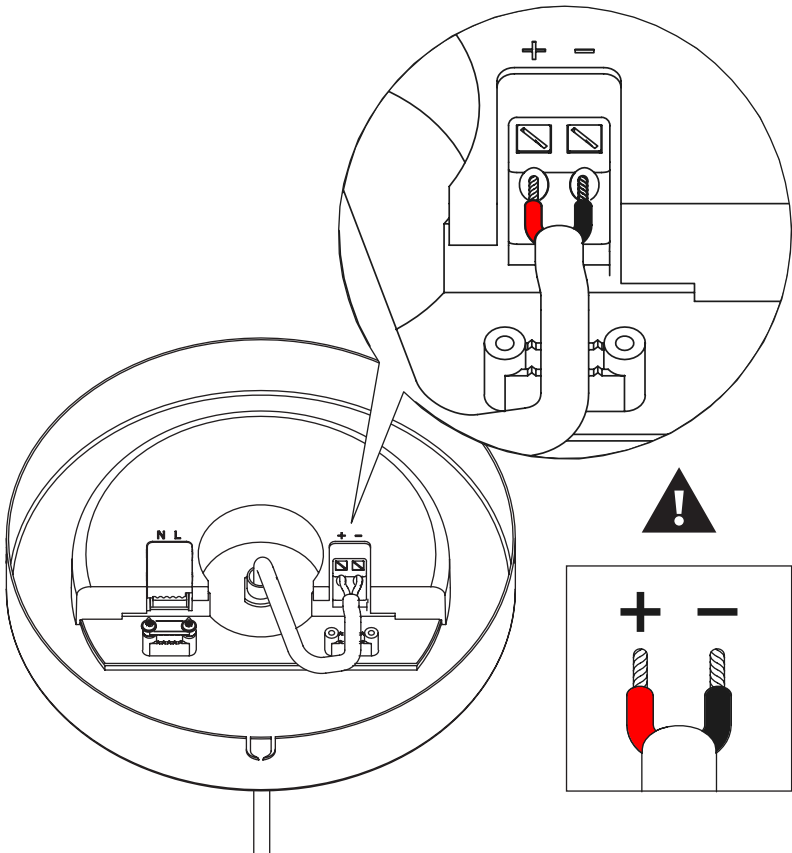


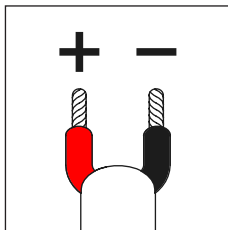
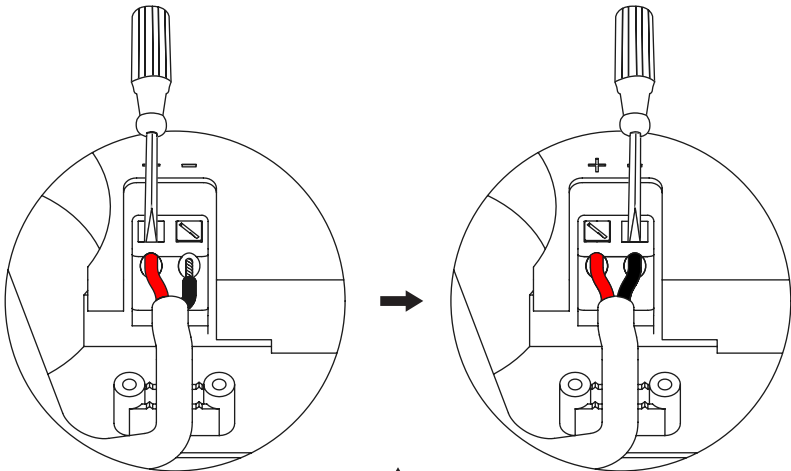


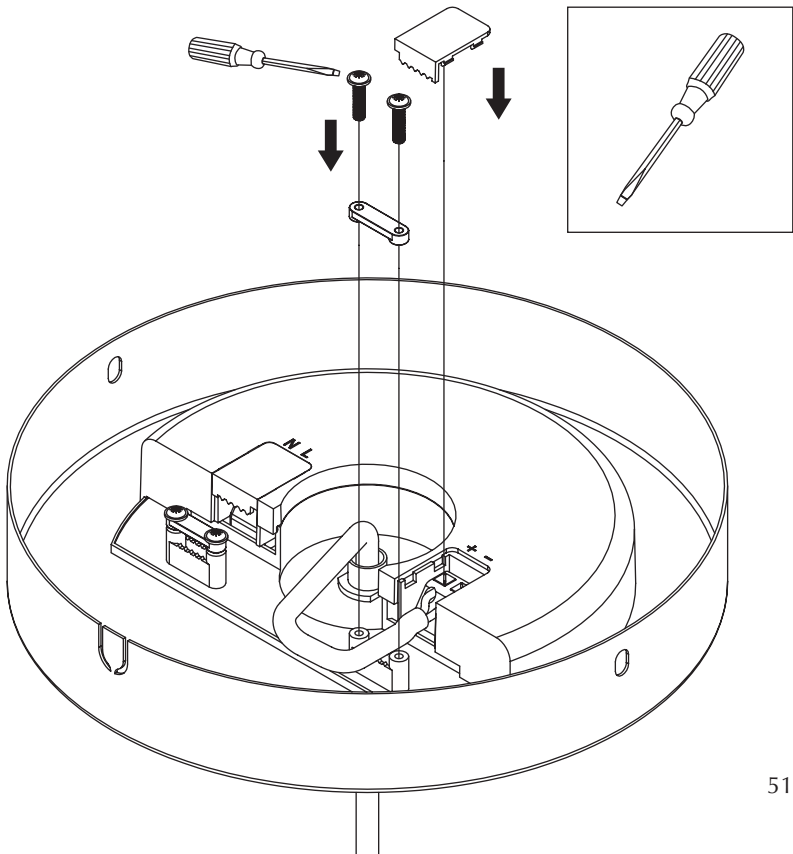




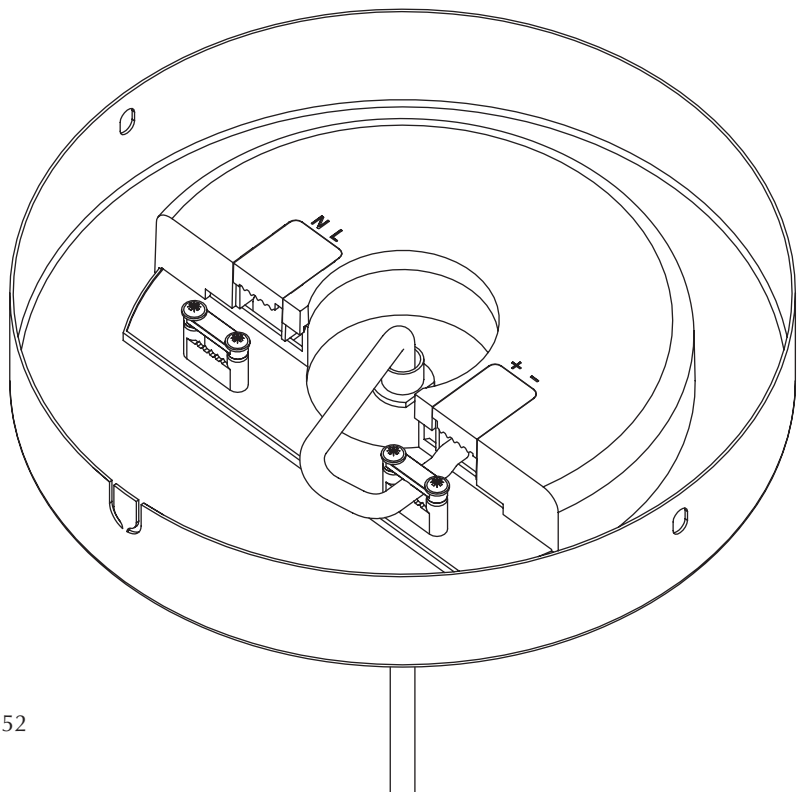


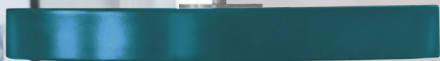












## HOW TO REMOVE LIGHT-SOURCE AT END-OF-LIFE

The following operation might permanently damage the outside shell – only do the following when product needs to be disposed of.

