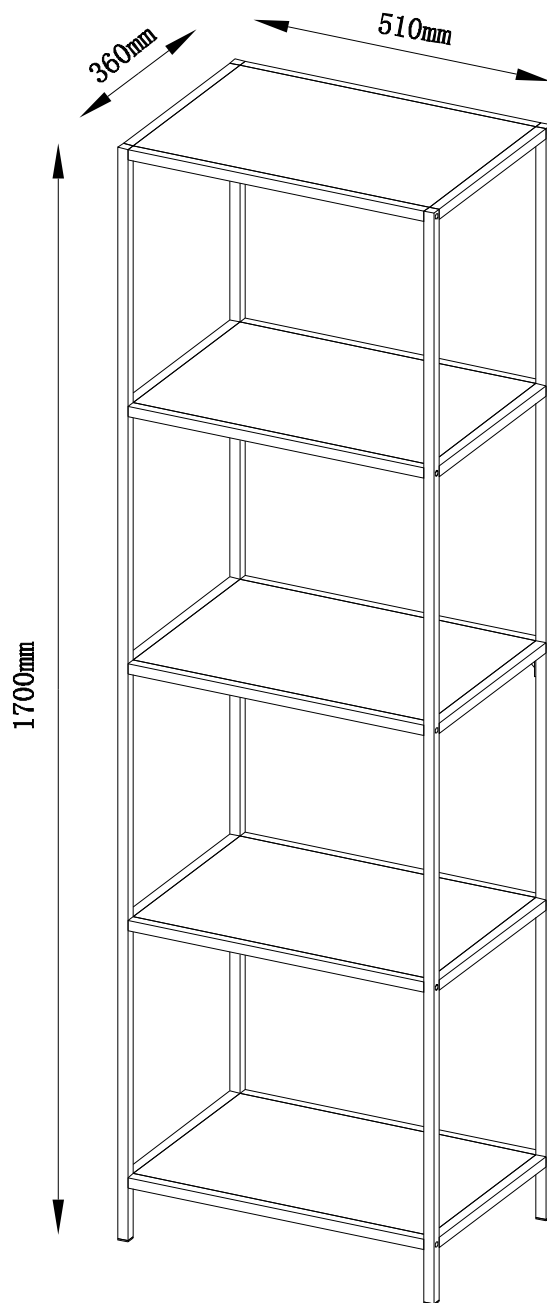
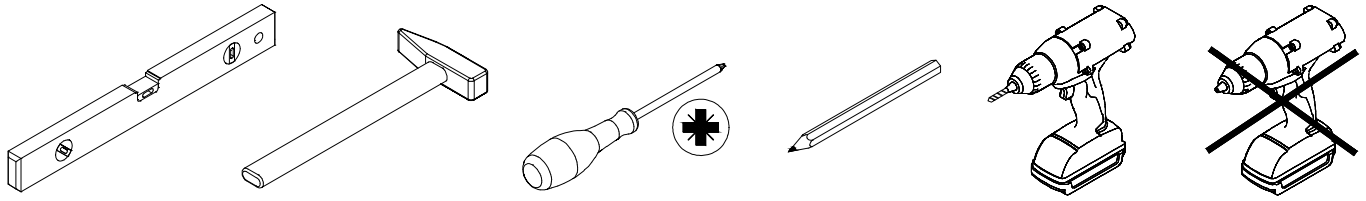
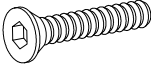
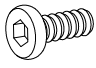

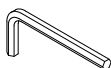
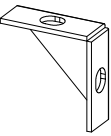
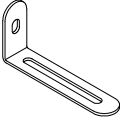
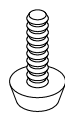
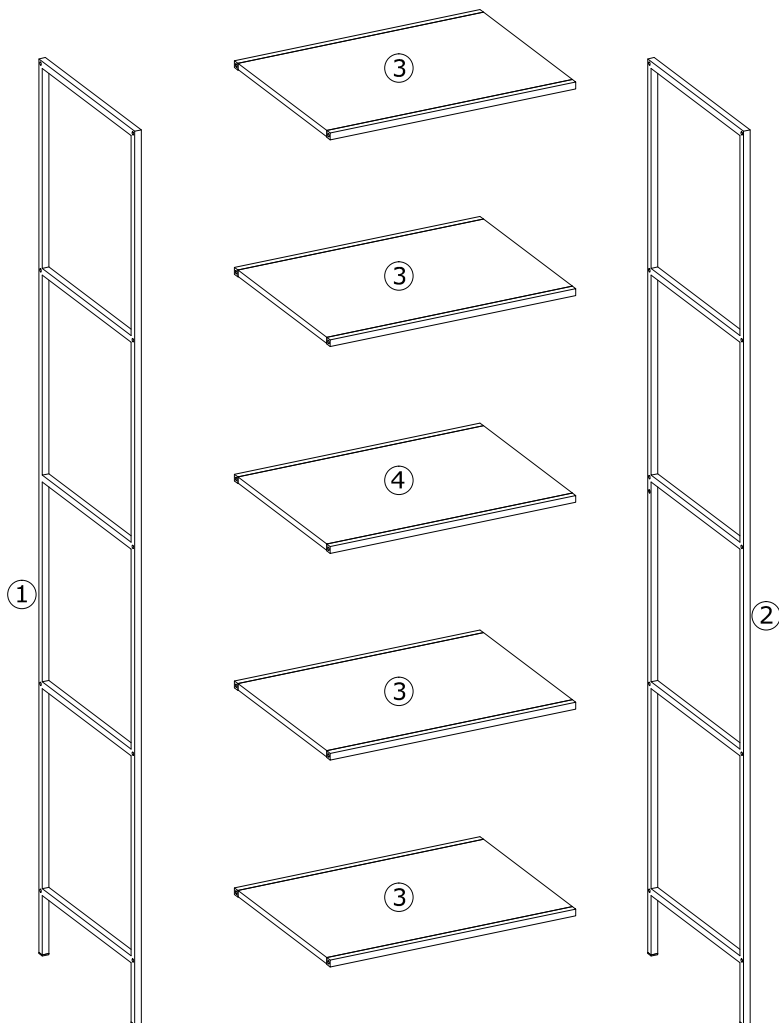


Karen



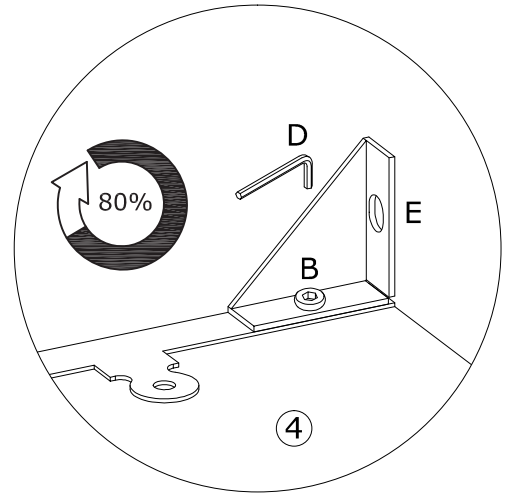
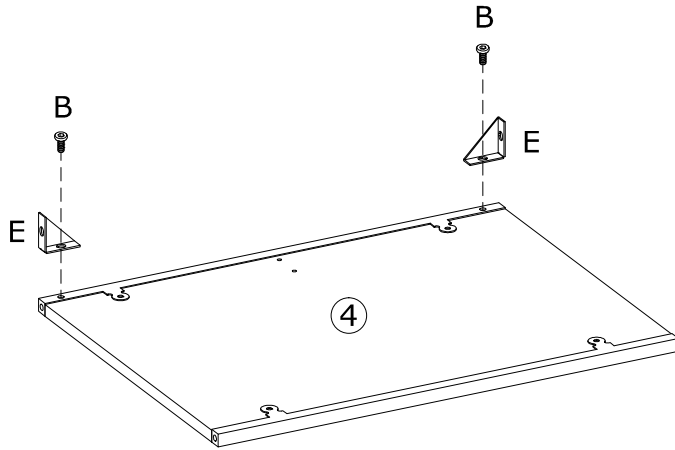


<p>A x 20</p>  <p>M5x25mm</p>	<p>B x 4</p>  <p>M5x8mm</p>	<p>C x 2</p>  <p>Ø4x10mm</p>	<p>D x 1</p>  <p>3mm</p>
<p>E x 2</p>  <p>37x37x13mm</p>	<p>F x 1</p>  <p>73x23x15mm</p>	<p>G x 4</p>  <p>M6x20mm</p>	



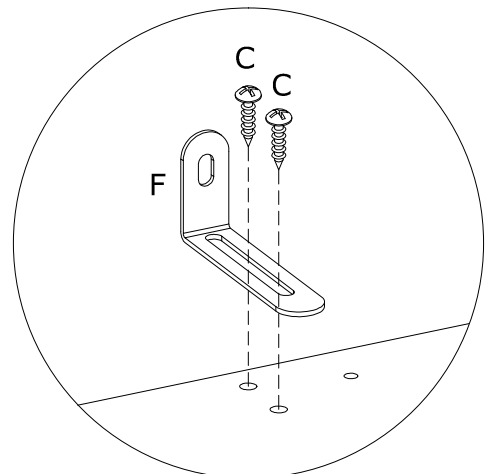
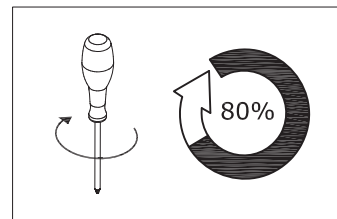
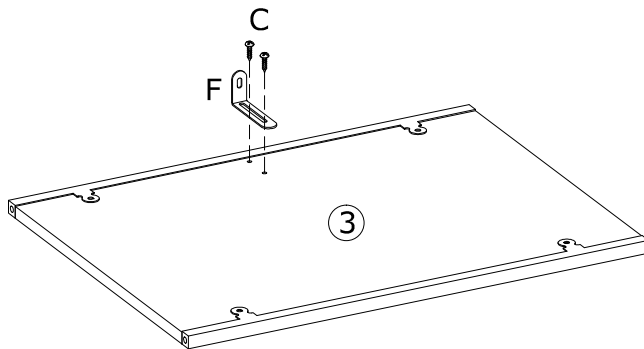
1

B x 2  M5x8mm	D x 1  3mm	E x 2  37x37x13mm
--	---	--




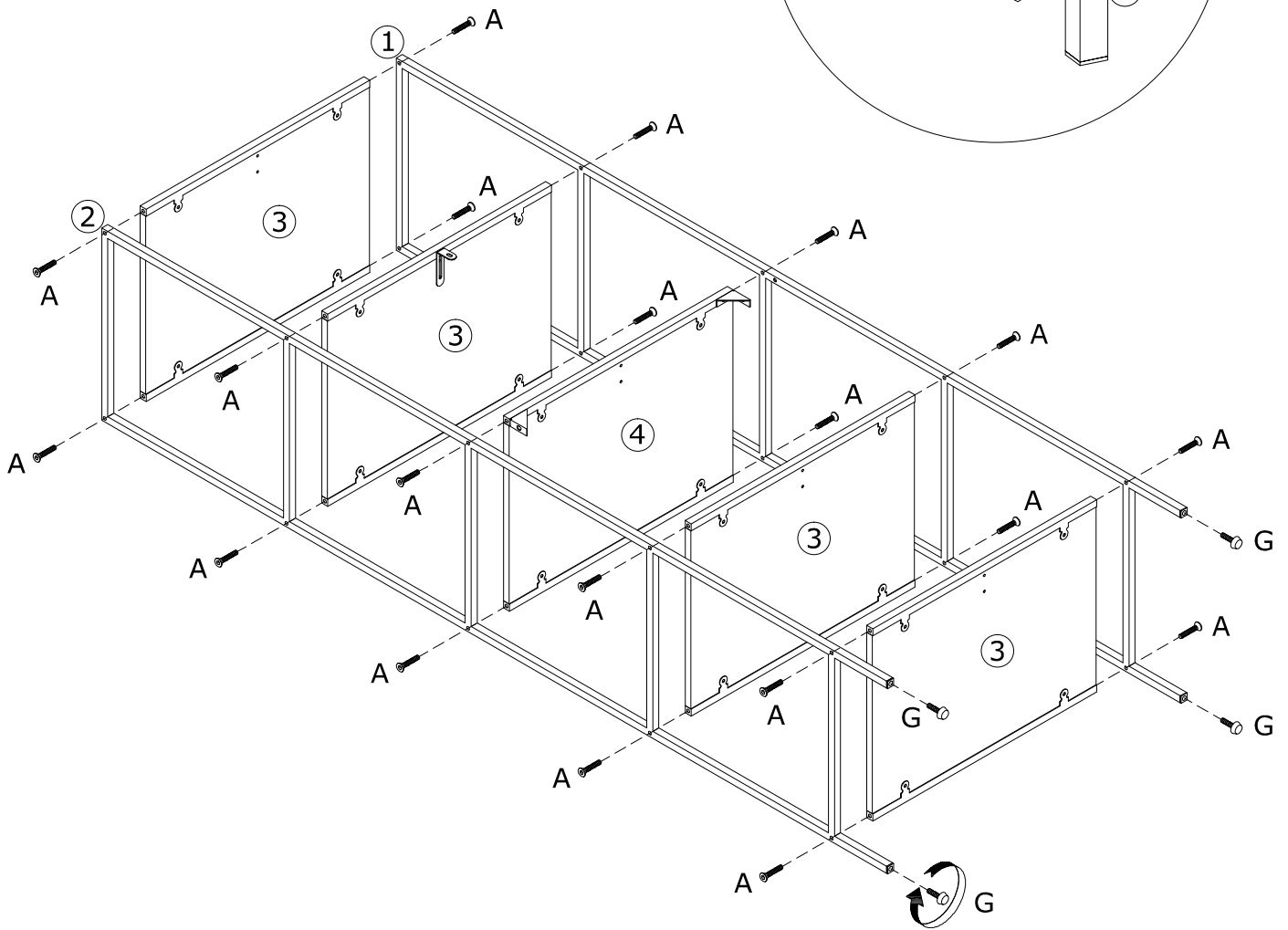
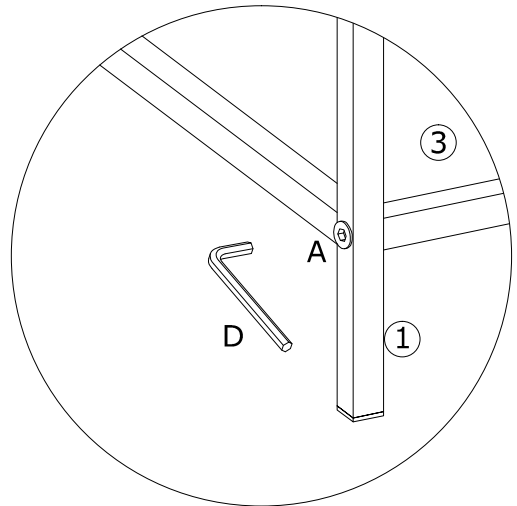
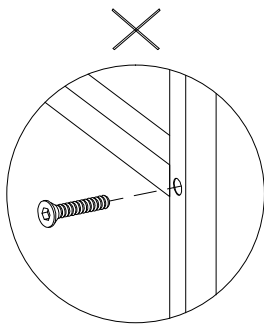
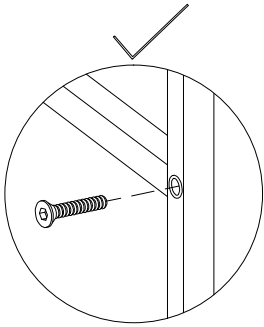
2

C x 2  Ø4x10mm	F x 1  73x23x15mm	
---	--	---





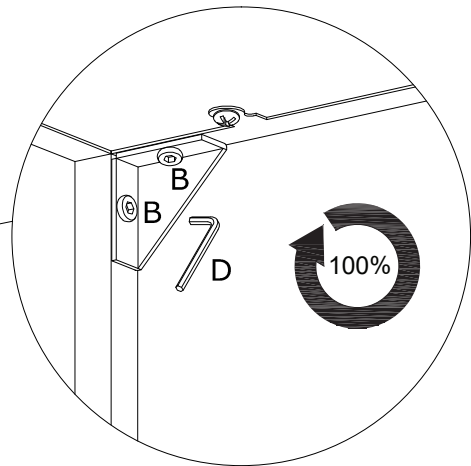
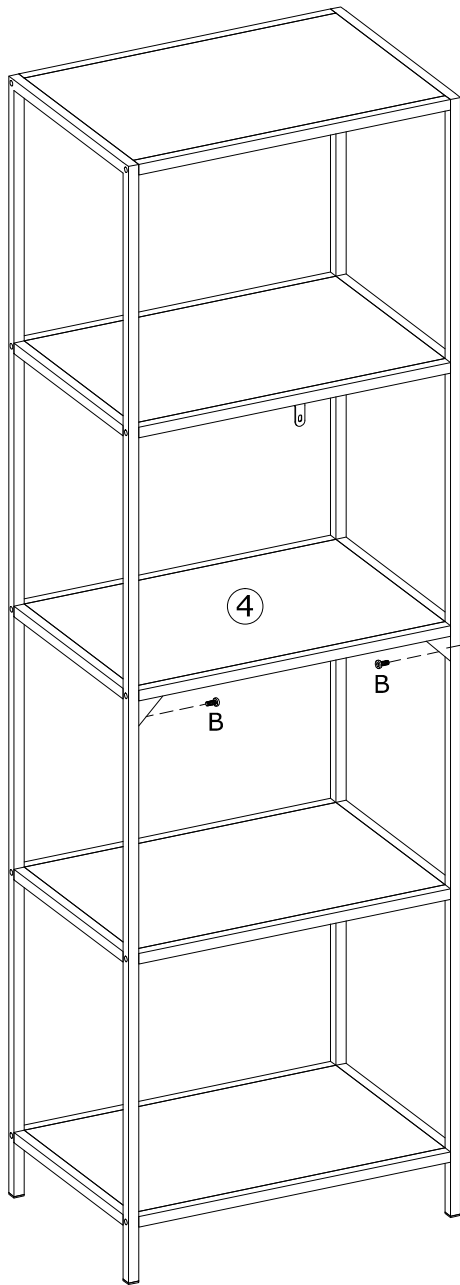
3

A x 20  M5x25mm	D x 1  3mm	G x 4  M6x20mm	
--	---	---	--

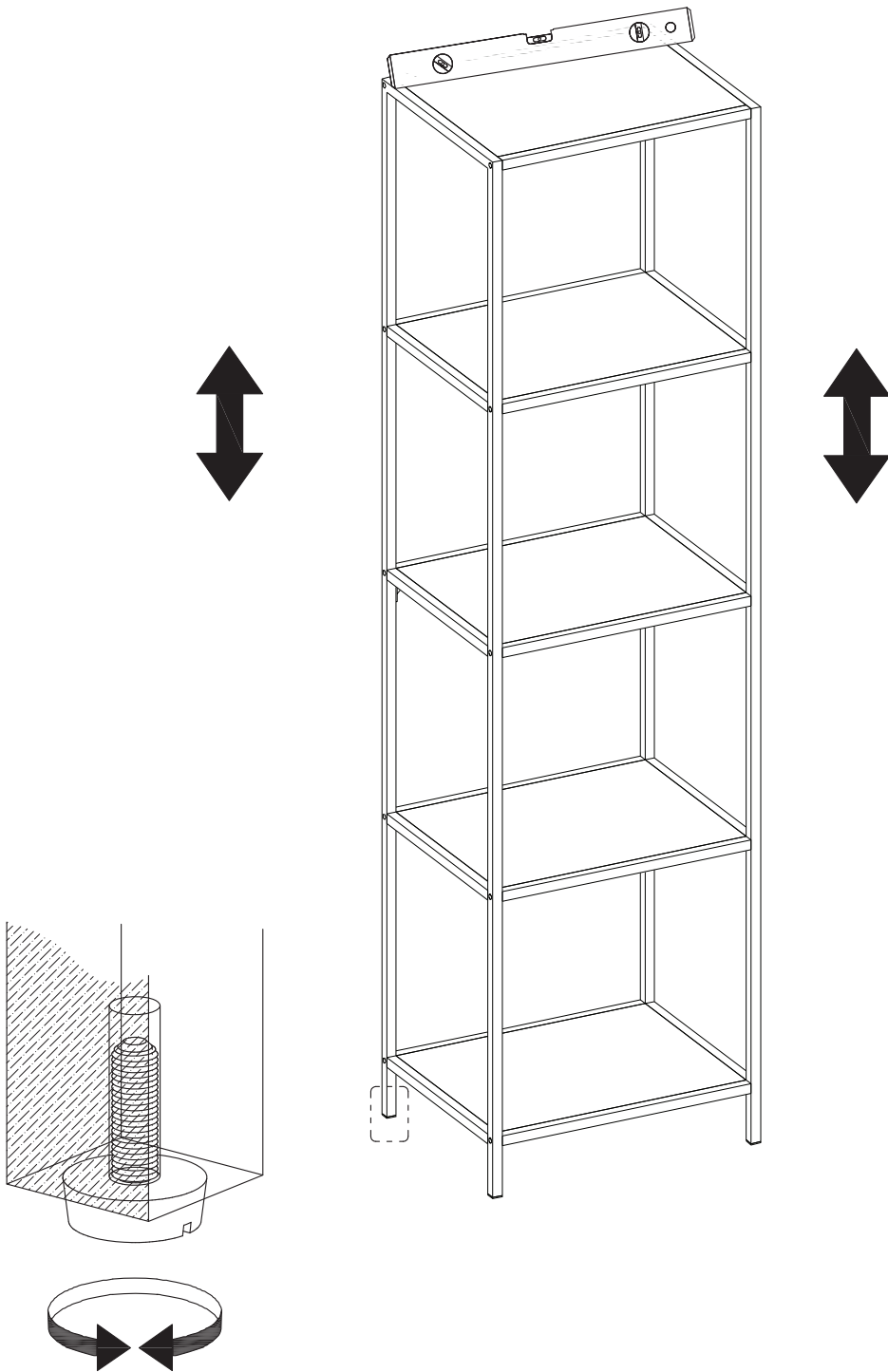
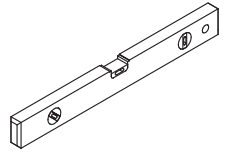


4

B x 2  M5x8mm	D x 1  3mm	
--	---	--



5



6

