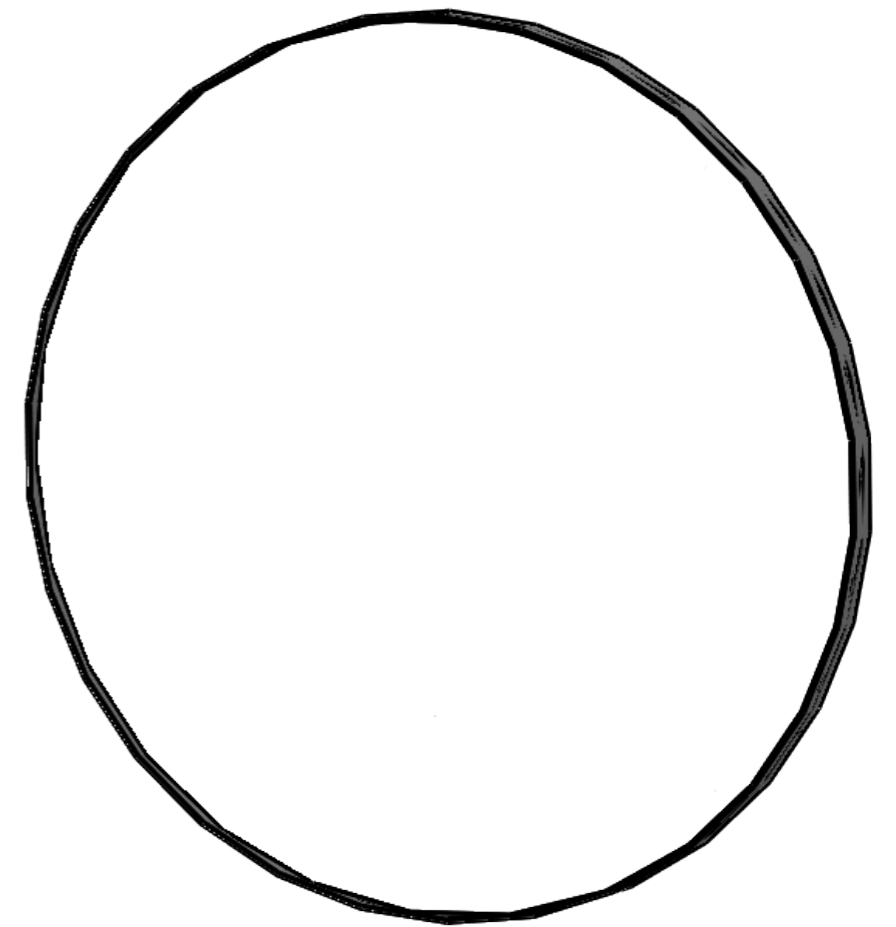
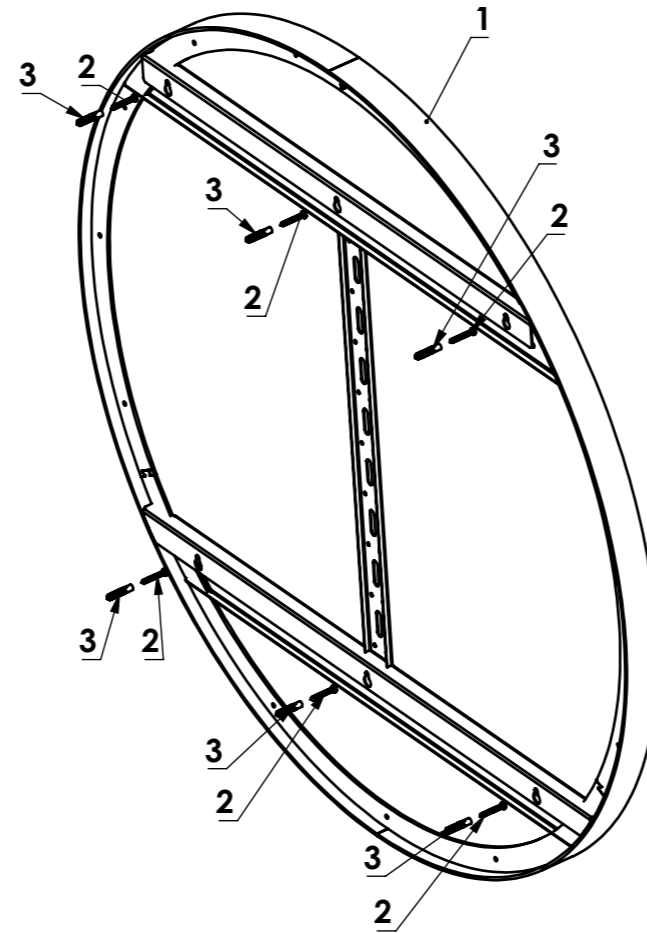
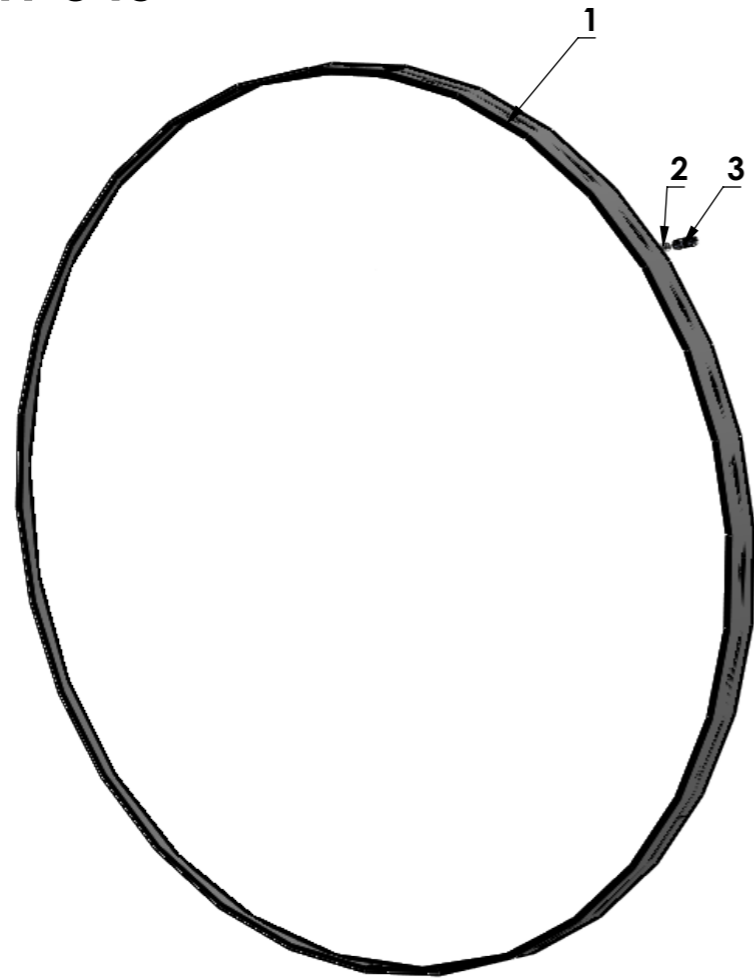


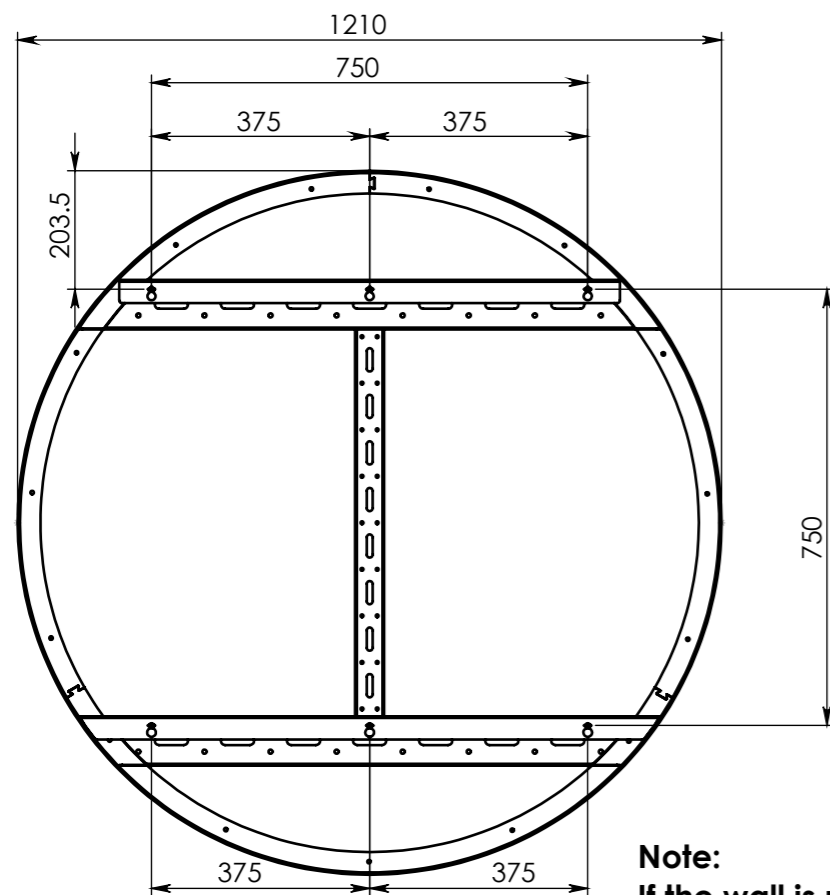
DONNA 6

SW 345

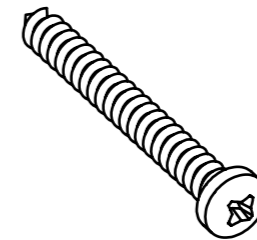


1

1 pc



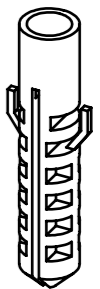
Ø 5x40



2

6 pcs

Ø 8x40

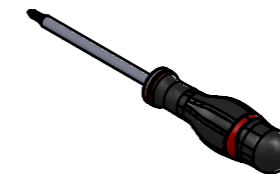


3

6 pcs

Note:

If the wall is made of concrete, it is enough to fasten it only in the 3 top points.
If the wall is made of brick or BCA, it is recommended to attach it in 6 points.



Ø 8

