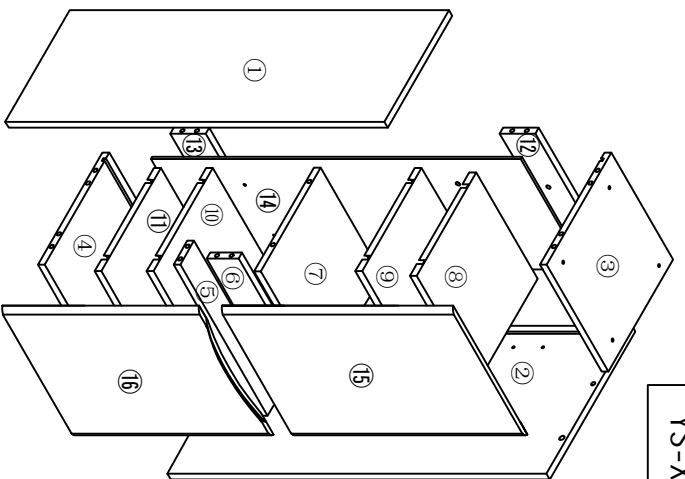
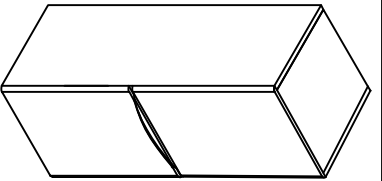
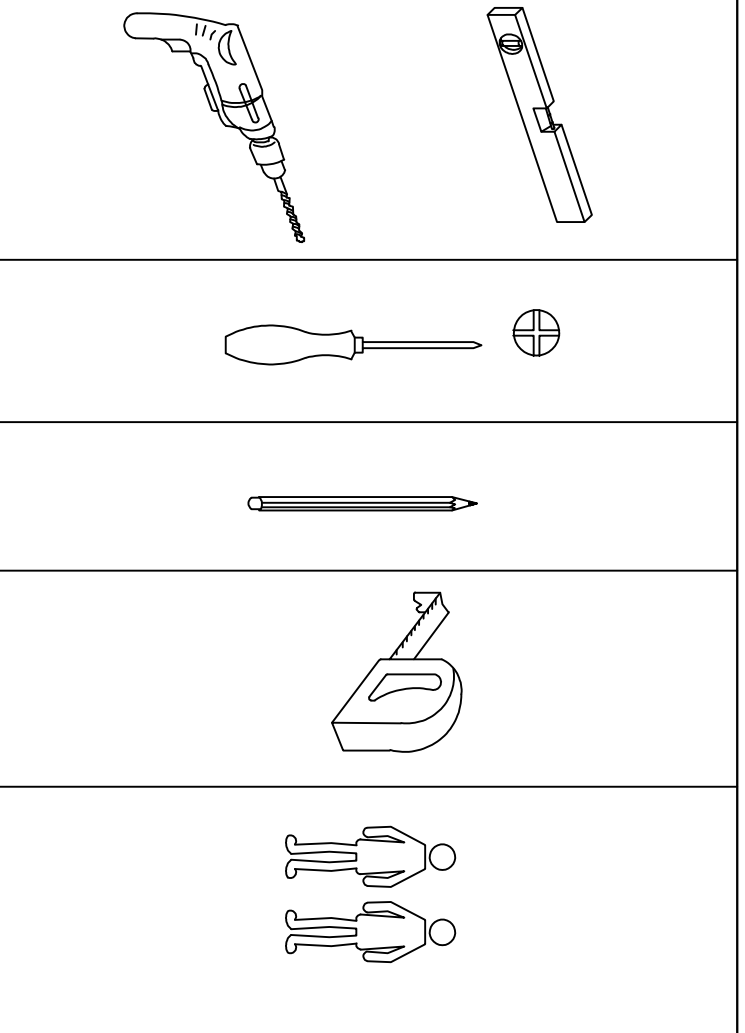


YS-XS1-G140



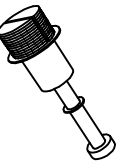
Order	(L*W) MM
(1)	1400*280=1
(2)	1400*280=1
(3)	280*320=1
(4)	280*320=1
(5)	60*320=1
(6)	70*320=1
(7)	259*320=1
(8)	259*319=1
(9)	259*319=1
(10)	259*319=1
(11)	259*319=1
(12)	320*78=1
(13)	320*78=1
(14)	330*1380=1
(15)	330*699=1
(16)	350*699=1



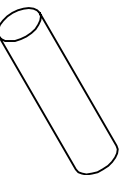
A **V** **C** **F** **G-A** **I** **J** **K**



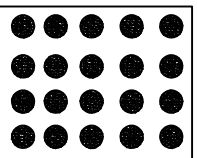
15*13mm
=29



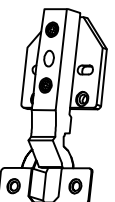
8*40mm
=29



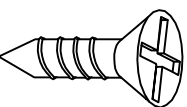
8*40mm
=12



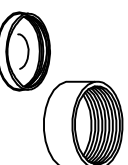
20*0.3mm=29



25*65*25mm
=4



4*14mm
=24

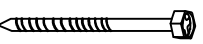


20*8mm
=4

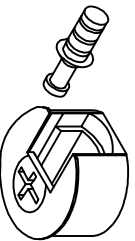


10*43mm
=4

L **N-N**

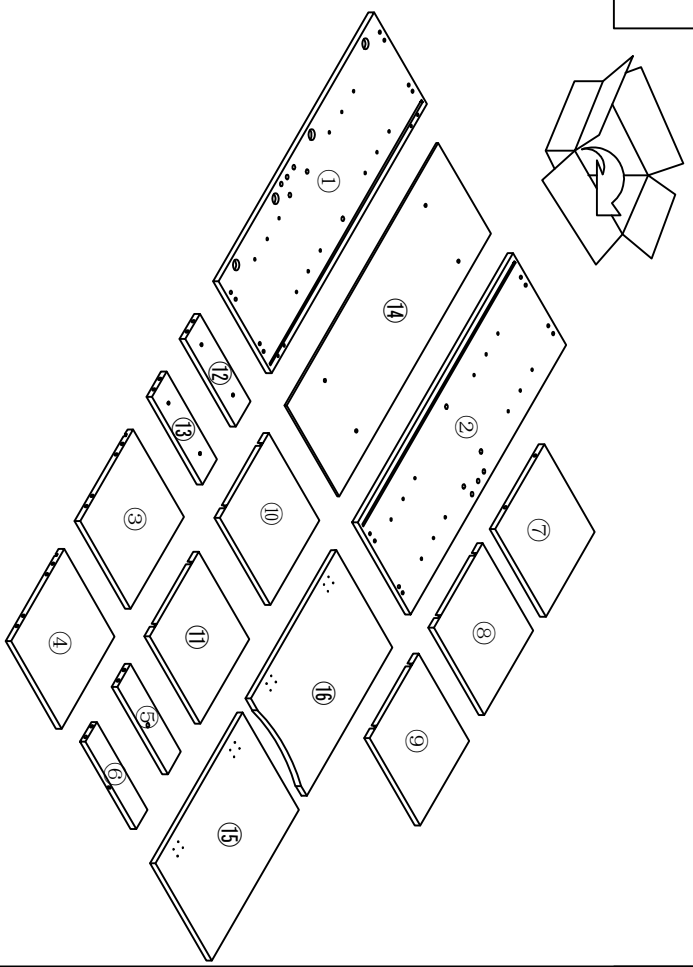


6*70mm
=4

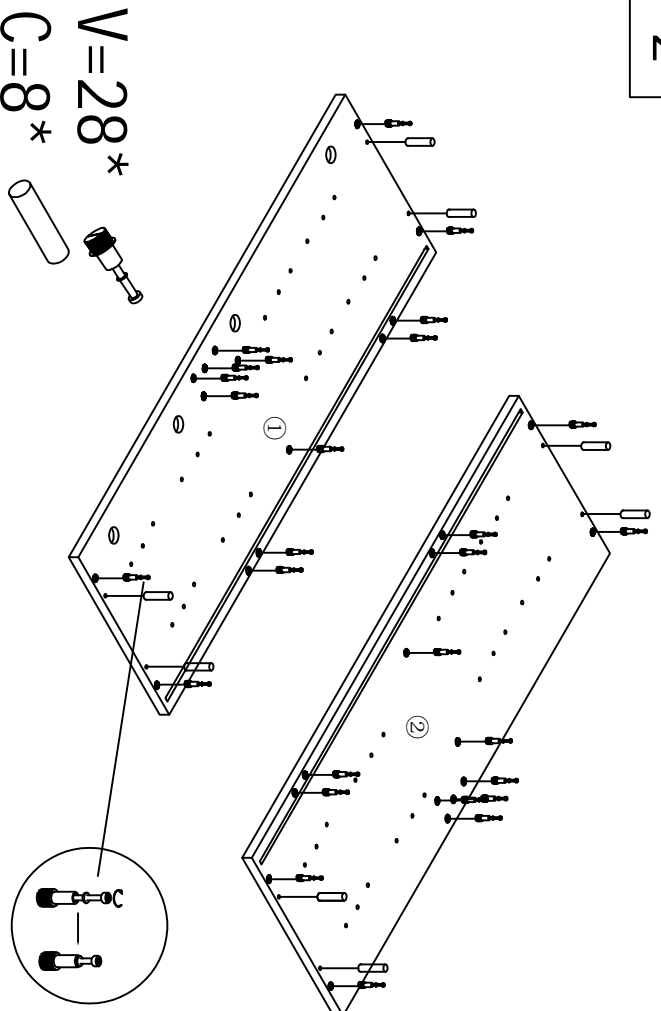


20*10mm
=16

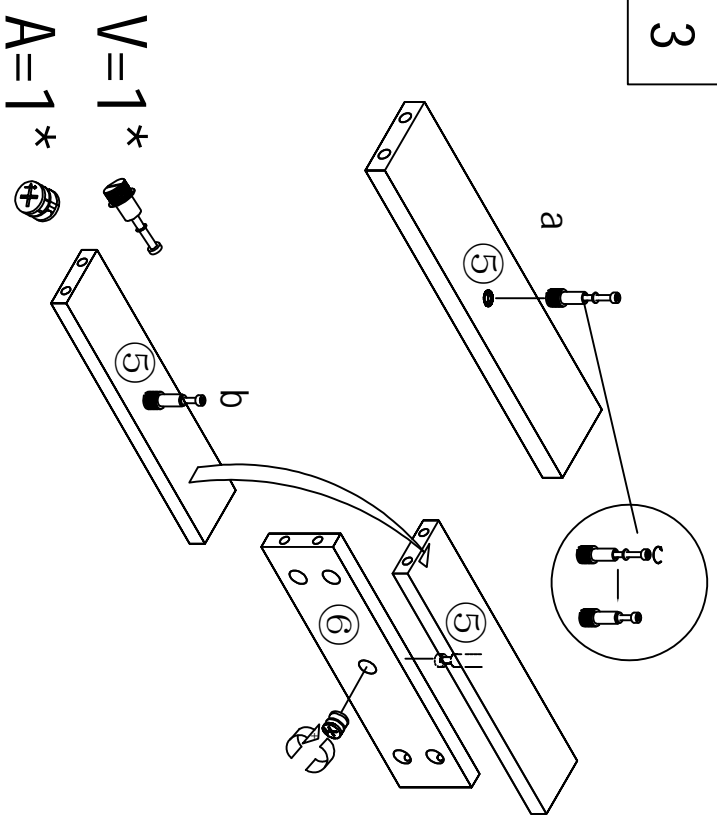
1



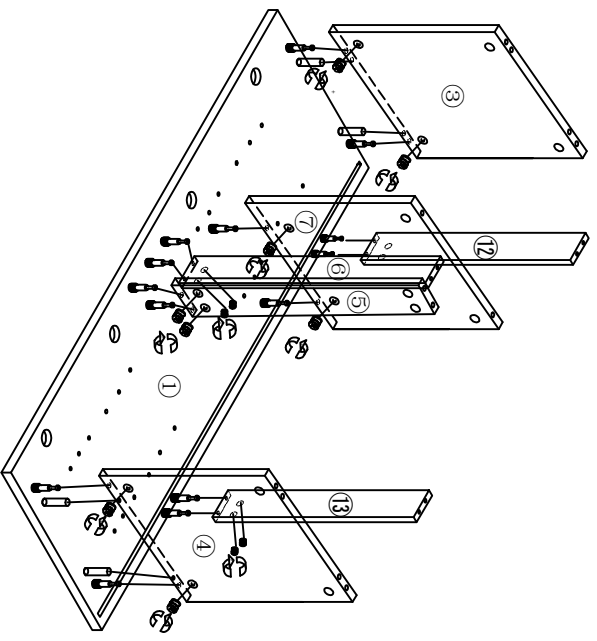
2



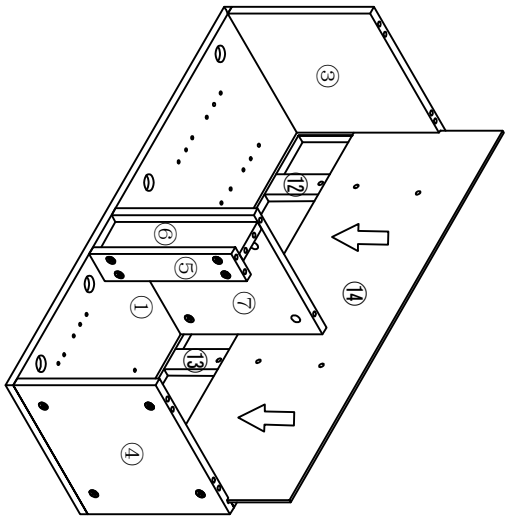
3



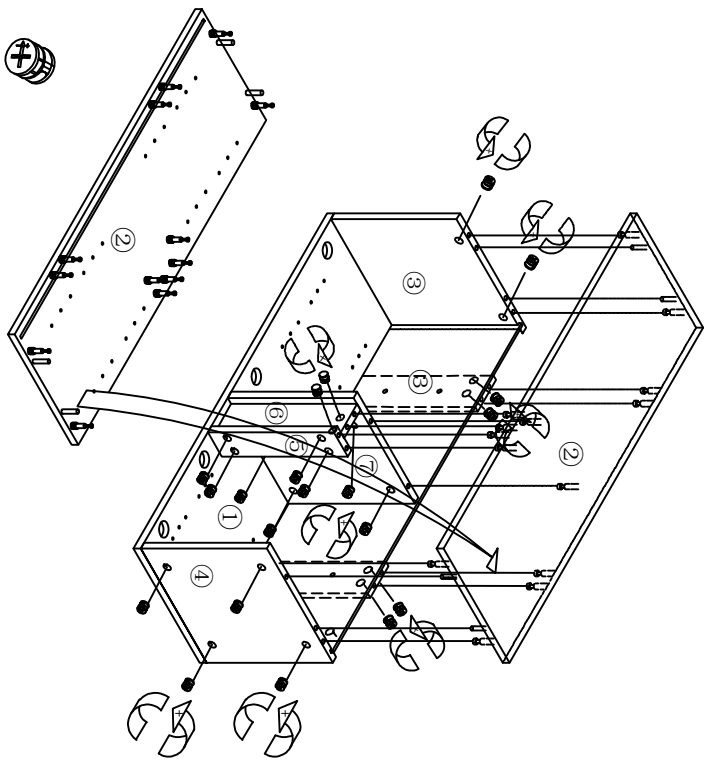
4



5



6

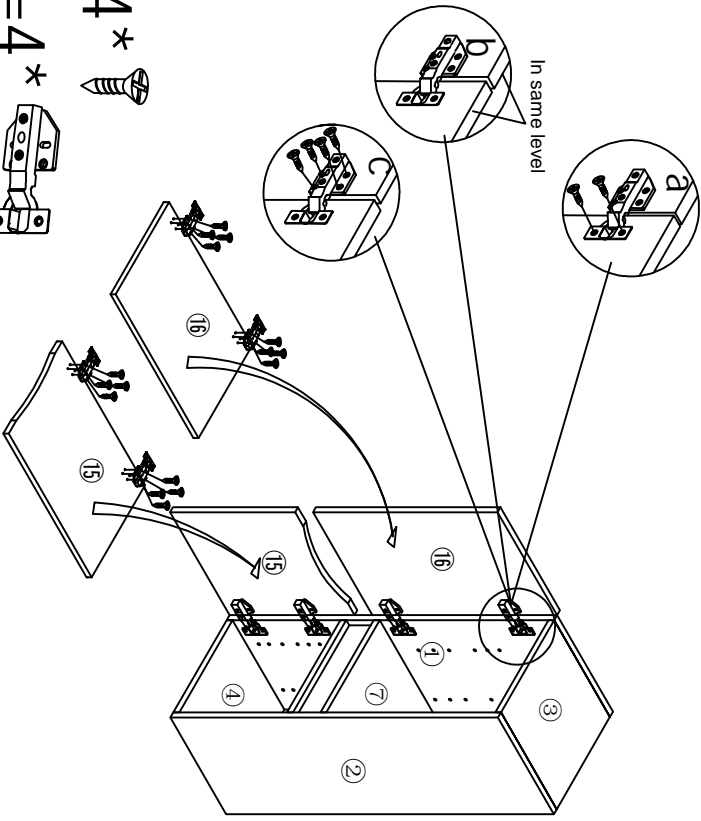


A=28 *



8

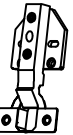
In same level



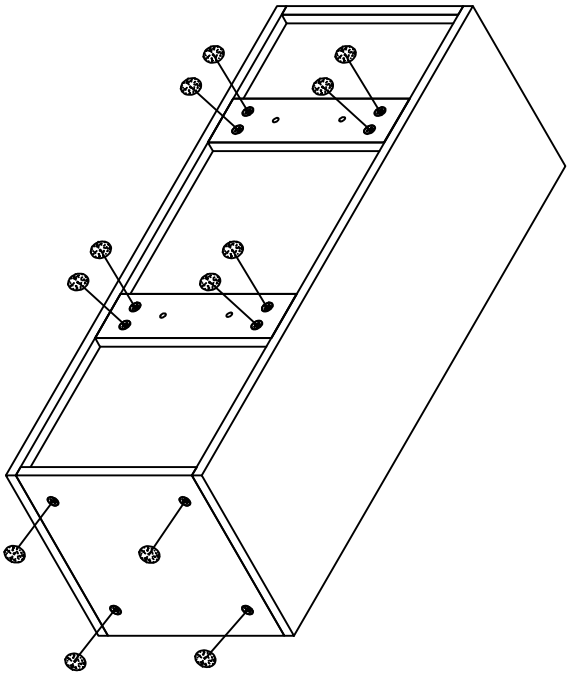
I = 24 *



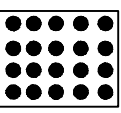
G-A=4 *



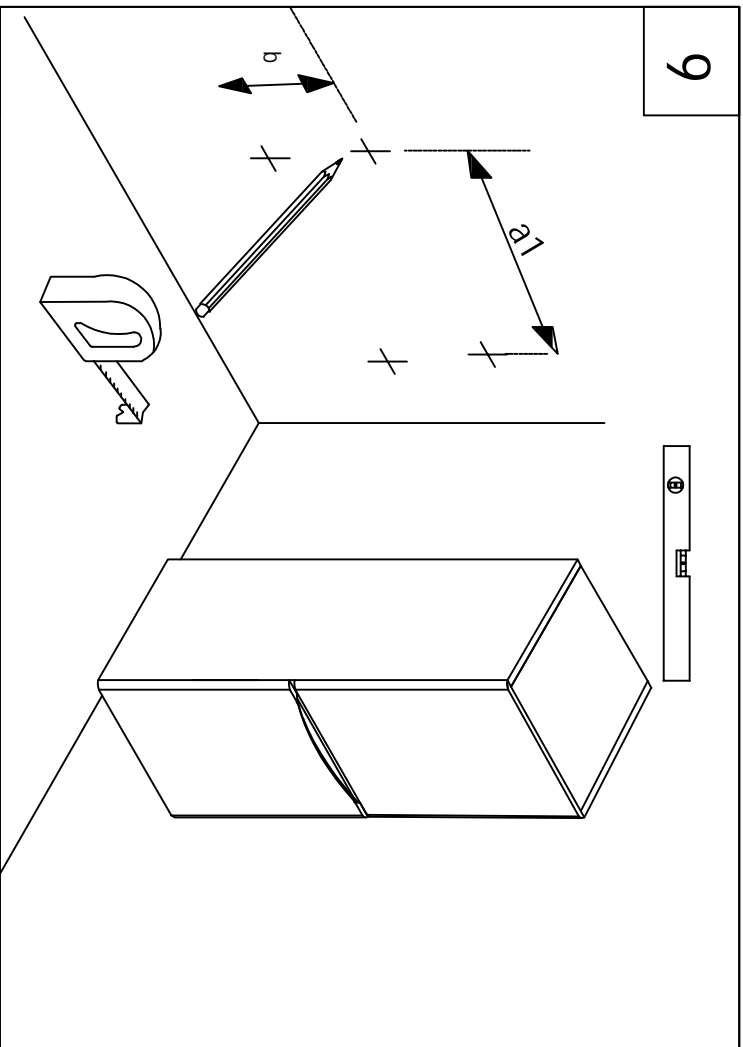
7



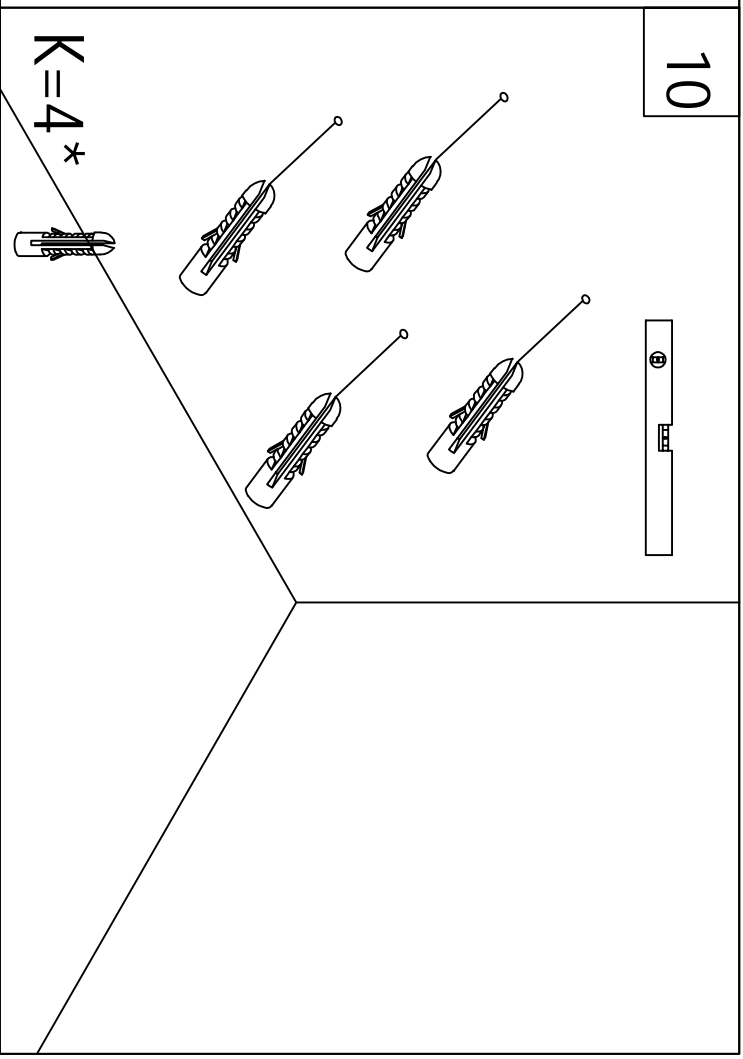
F=29



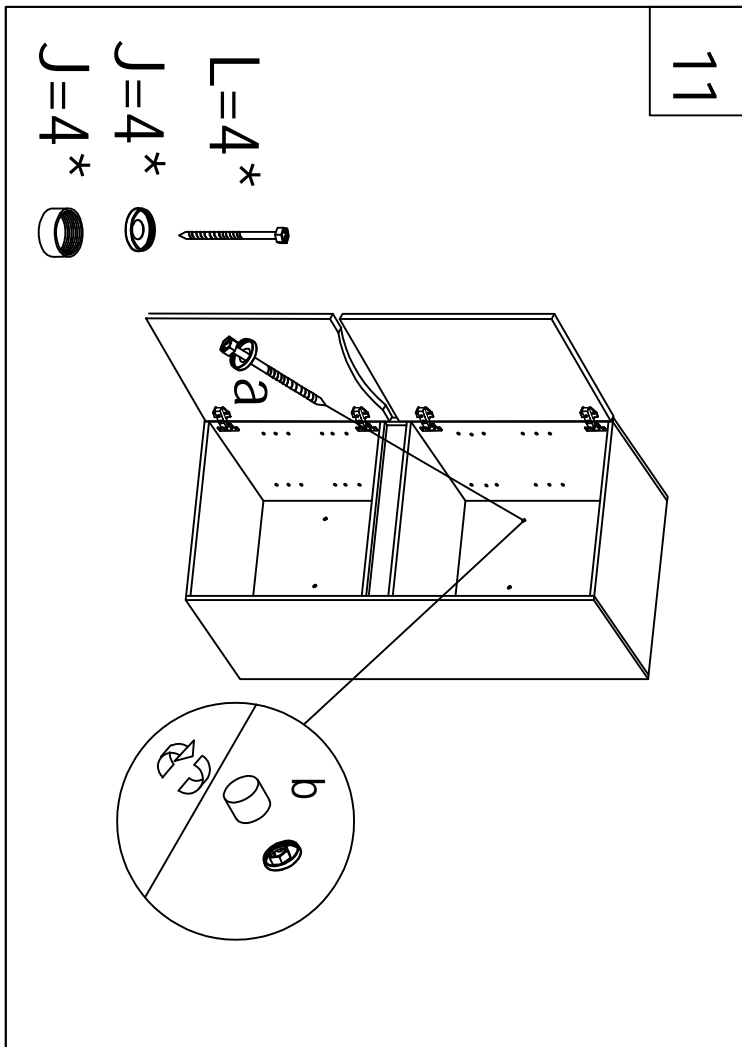
9



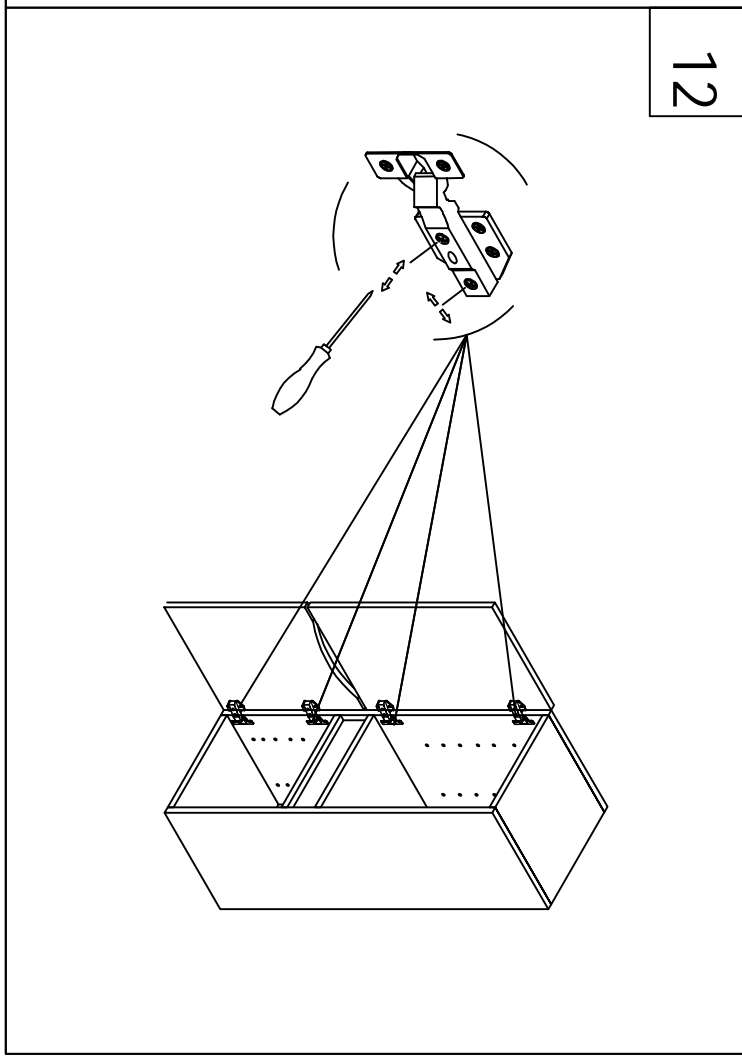
10



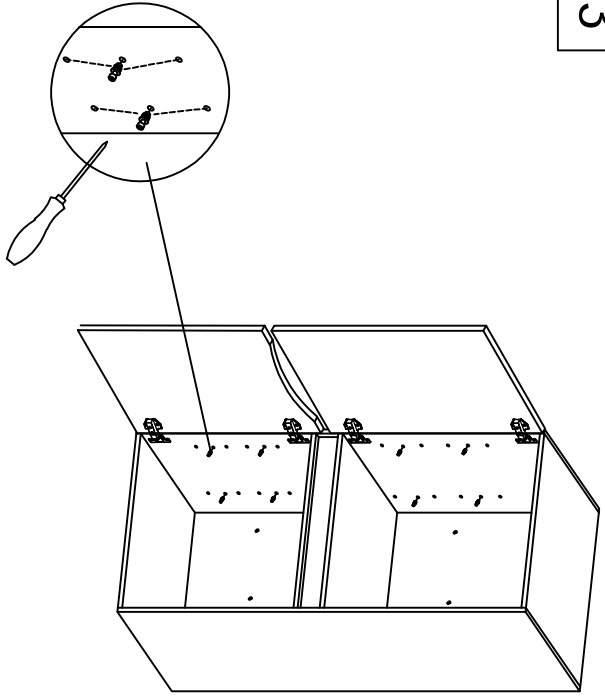
11




12

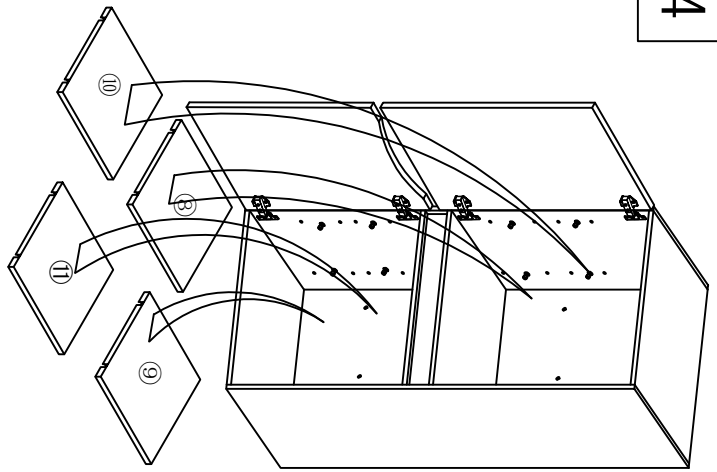


13

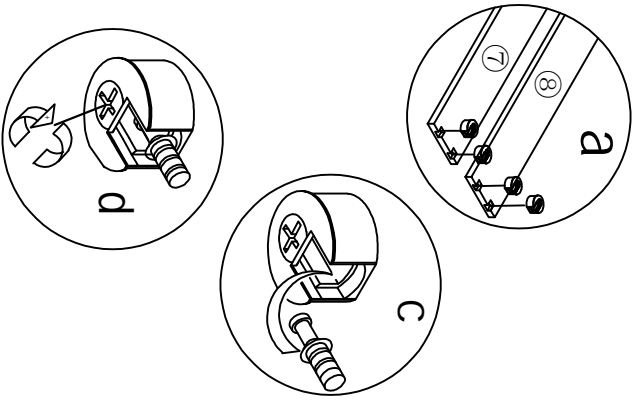


N-N=16 * 

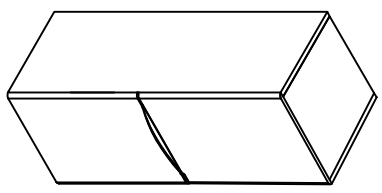
14



N-N=16 * 



15



OK!