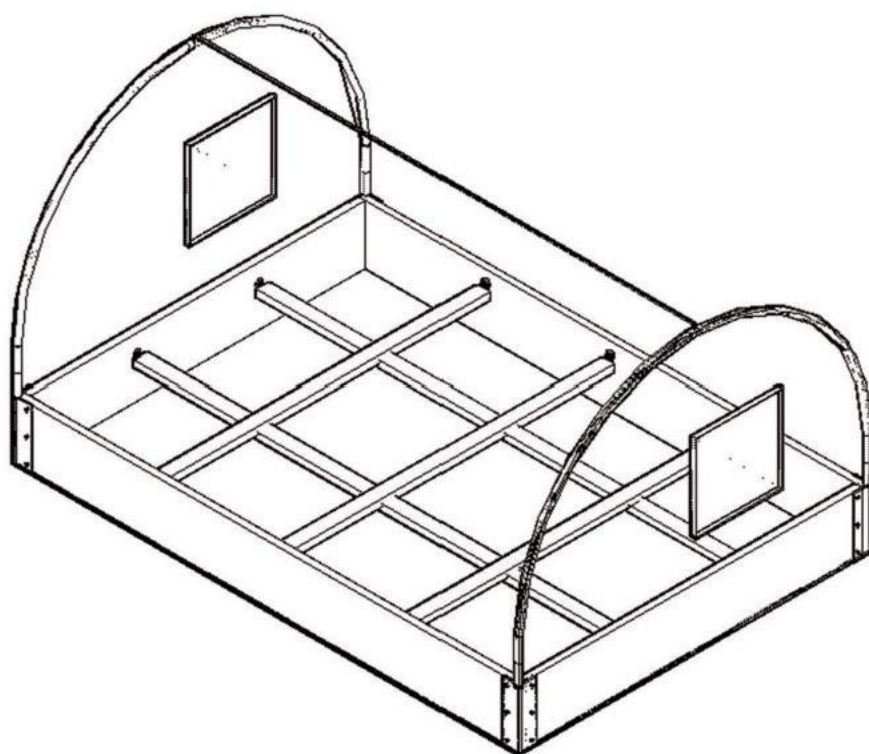











1562_137602



A		770*35*16	x2	1/1
B		1150*135*16	x2	1/1
C		1110*30*16	x2	1/1
D		760*30*16	X3	1/1
E		M3*1140	x1	1/1
F		M16*68	x2	1/1
G		M16*68	x2	1/1
H		160*35*35	x4	1/1
I		M4*18	x24	1/1
J	Plastic cover		x1	1/1

FR : SAV/INFORMATION /VIDEO/CONTACT

EN: AFTER-SALES SERVICE/INFORMATION/VIDEO/CONTACT

DE : REPARATUR-SERVICE UND ERSATZTEILE /INFORMATIONEN /VIDEO/KONTAKT

ES: SERVICIO POST-VENTA/INFORMACIÓN/VIDEO/CONTACTO

IT: SERVIZIO ASSISTENZA/INFORMAZIONI/VIDEO/CONTATTO

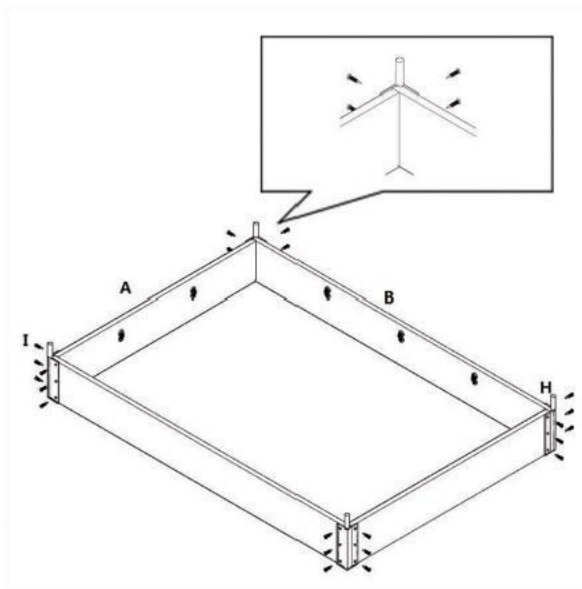
PT: SERVIÇO PÓS-VENDA/INFORMAÇÕES/VIDEO/CONTATO

PL: SERWIS TECHNICZNY/INFORMACJE/WIDEO/KONTAKT

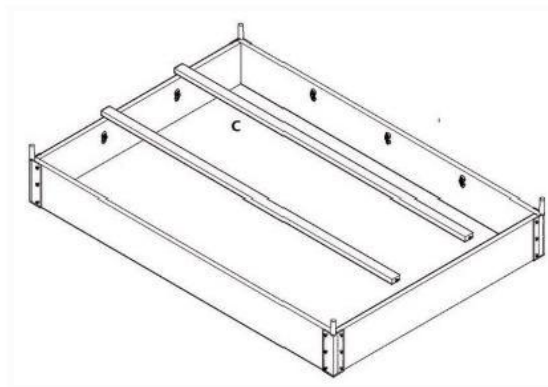
NE: AFTER SALES SERVICE/INFORMATIE/VIDEO/CONTACT

HE: מע רשקתל/ואדיווה/ עדימ/תורכמו תוריש רחאל

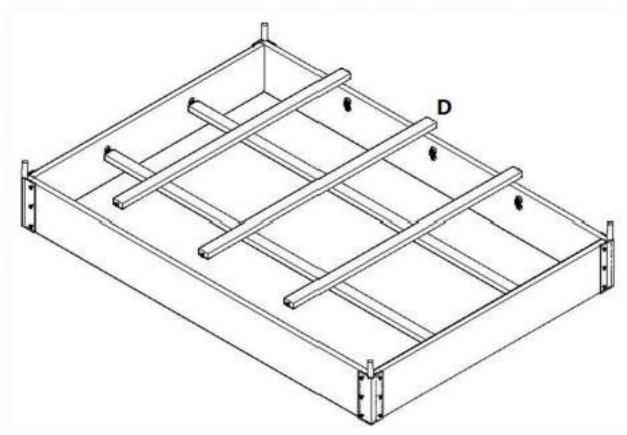
1



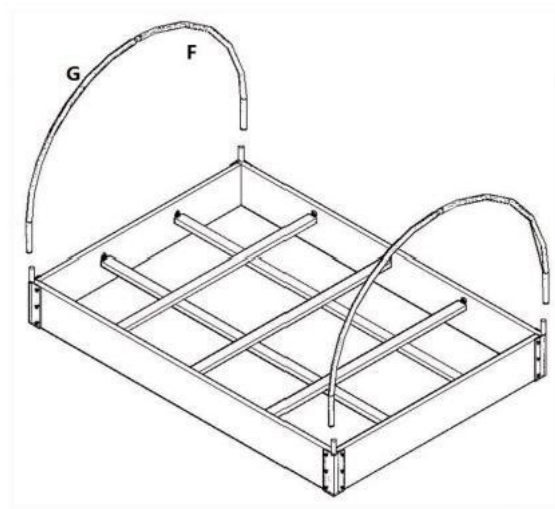
2



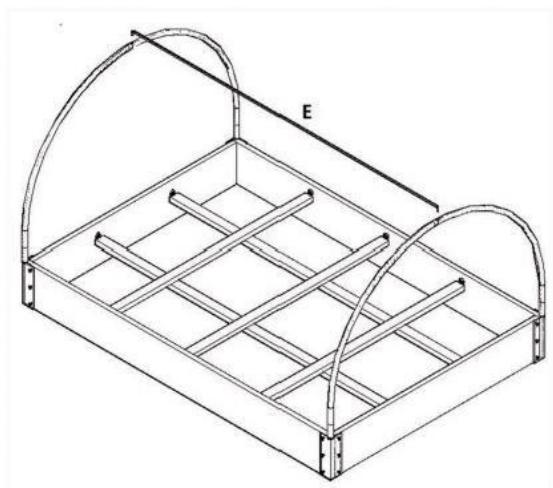
3



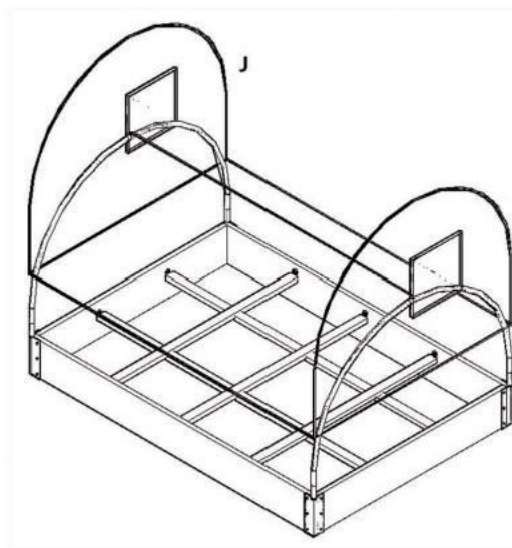
4



5



6



7

