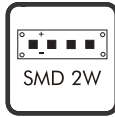


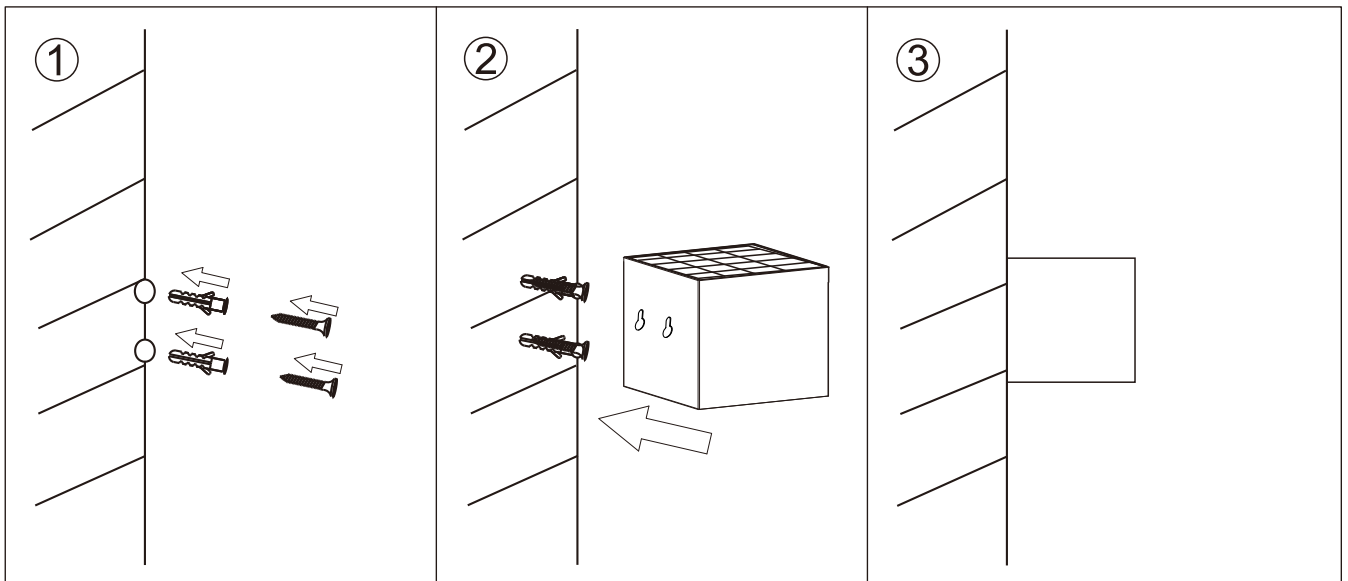
INSTRUCTION MANUAL



Charlotte WL 1 Black Solar 104418

Installation

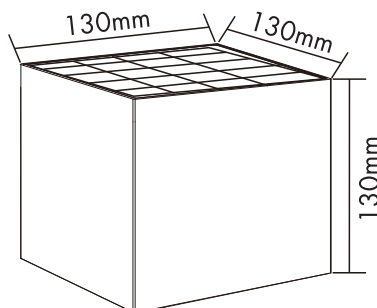
1. Drill 2 holes on the wall according to the size of the plugs and then hammer the 2 plugs into the wall & put the screws in.
2. Fix the luminaire on the screws.



Detection distance: 4-6M
Charging time: 6-8Hrs @Sunny day
Working time: ≥8Hrs @ fully charged
20-25Hrs in stand-by of 20% brightness

Cautions

1. Please install this solar LED Lamp at the places exposed to the sunlight directly, no shelter.
2. If the LED light start to continuously flashing, it indicates that the unit is low on power and need to be recharged.
3. Please do not change anything of solar panel or battery.
4. Please understand that the working time will be effected when sunshine is not enough(Rainly, Cloudy).



FittinQ B.V.

Smaragdweg 52, 5527 LB Hapert, The Netherlands
www.qazqa.nl

QAZQA

INSTRUCTION MANUAL



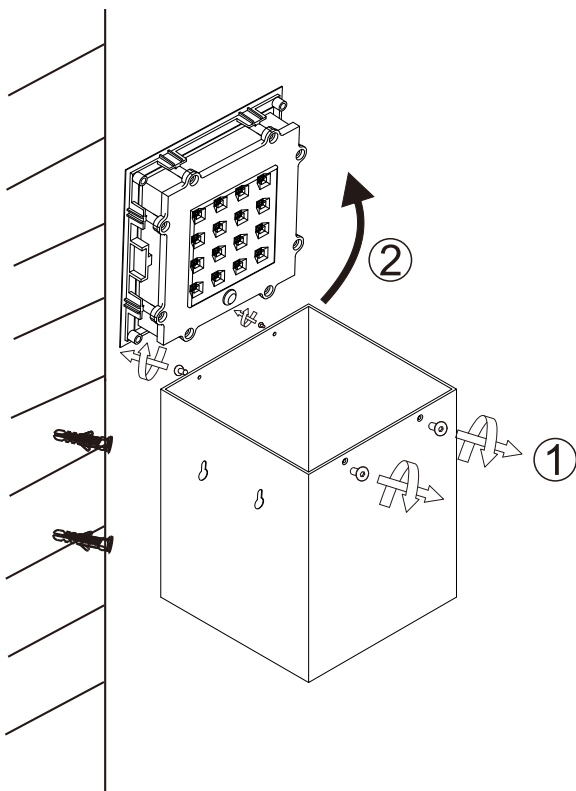
Charlotte WL 1 Black Solar
104418

Optional Functions & Features

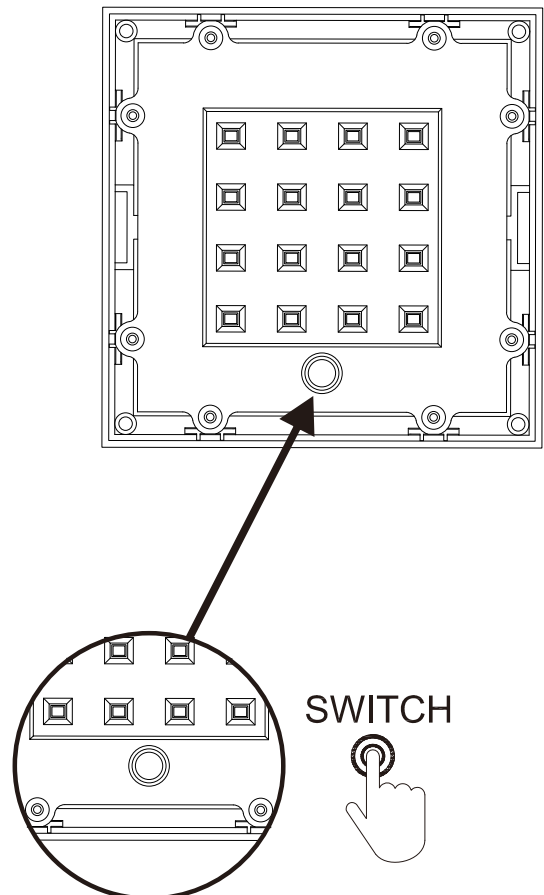
1. **Future - Proof Design**, The solar panel + LED Module is replaceable after working lifetime. No need to replace the whole luminaire, save cost.
2. **Security Lighting Option**: At night, the light will be turned on automatically. After 30 seconds without human movement detected, the light will be turned down to 20% brightness automatically(Default setting)
3. **Complete Off Option**: At night, the light will be turned on automatically. After 30 seconds without human movement detected, it will be turned off automatically(This option need press the switch button one time, then it will be switched to this option.
4. **Turn off**: At night, press the switch button 3 seconds and wait for it turning off gradually.

Note: The lamp will be reset to factory setting daily as soon as the solar panel receive the daylight.

-Instruction for Solar panel+LED Module replacement



-Mode Selection



FittinQ B.V.

Smaragdweg 52, 5527 LB Hapert, The Netherlands
www.qazqa.nl

QAZQA