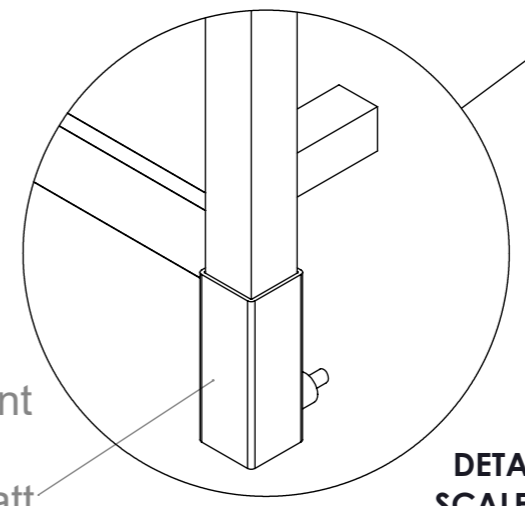
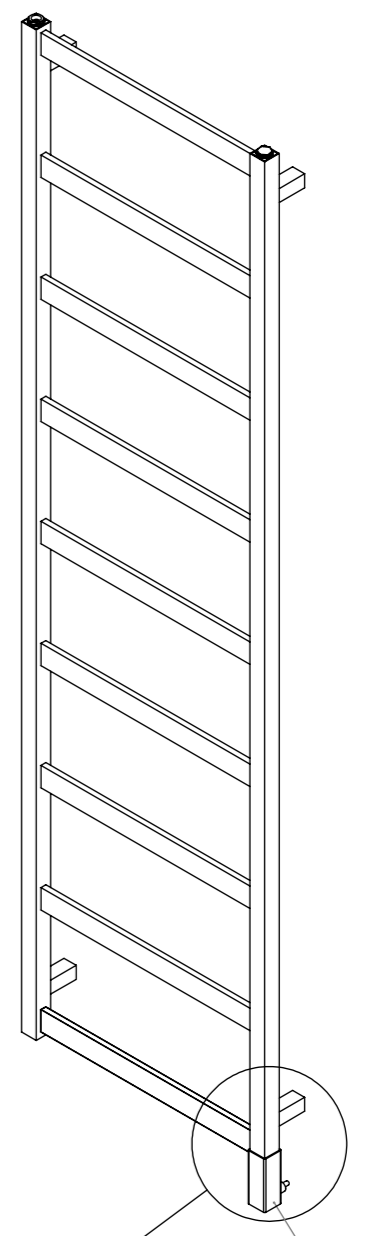
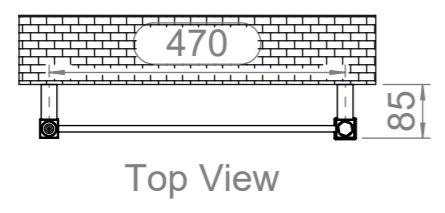
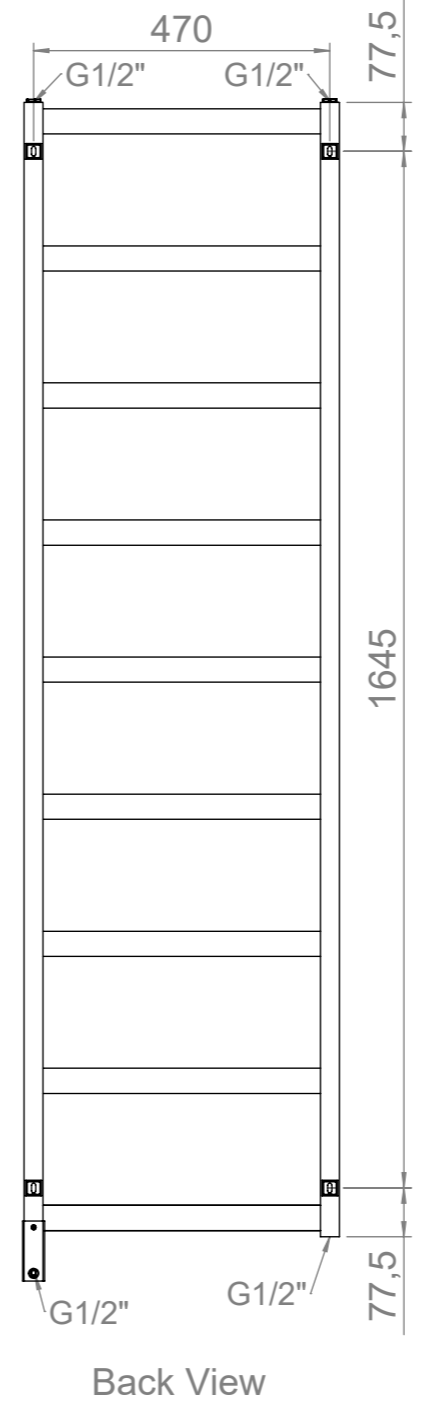
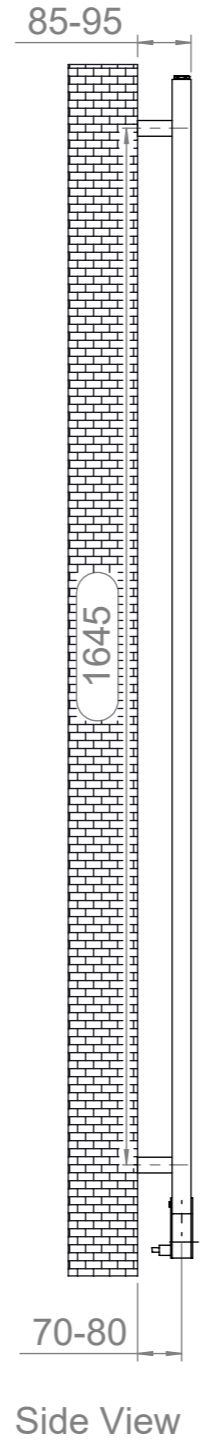
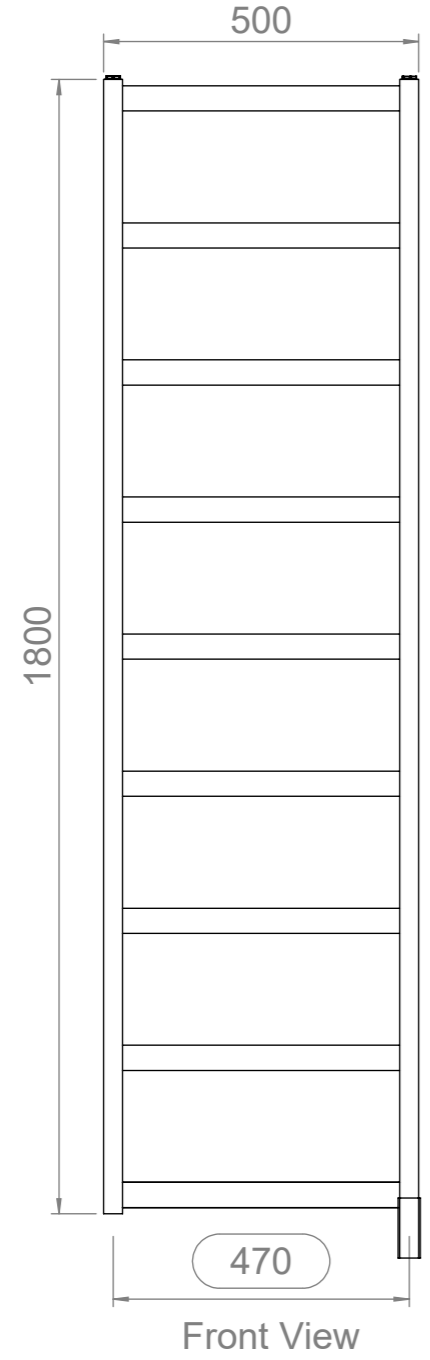


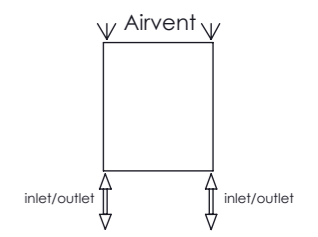
**Calder 518-9
CCK-HE400**

REVISIONS				
ZONE	REV.	DESCRIPTION	DATE	APPROVED
	00	AÇIKLAMA	01.01.2011	ONAYLAYAN


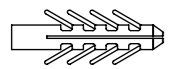



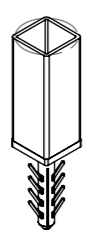
elc element
CCK
HE 400watt

Fitting Position:



Installation Accesories:

-  x4
-  x4
-  x1



All Dimension are in mm
Max.Working Pressure = 10 Bar
Max.Working Temperature=95° C
Inlet / Outlet : 1/2" BSP