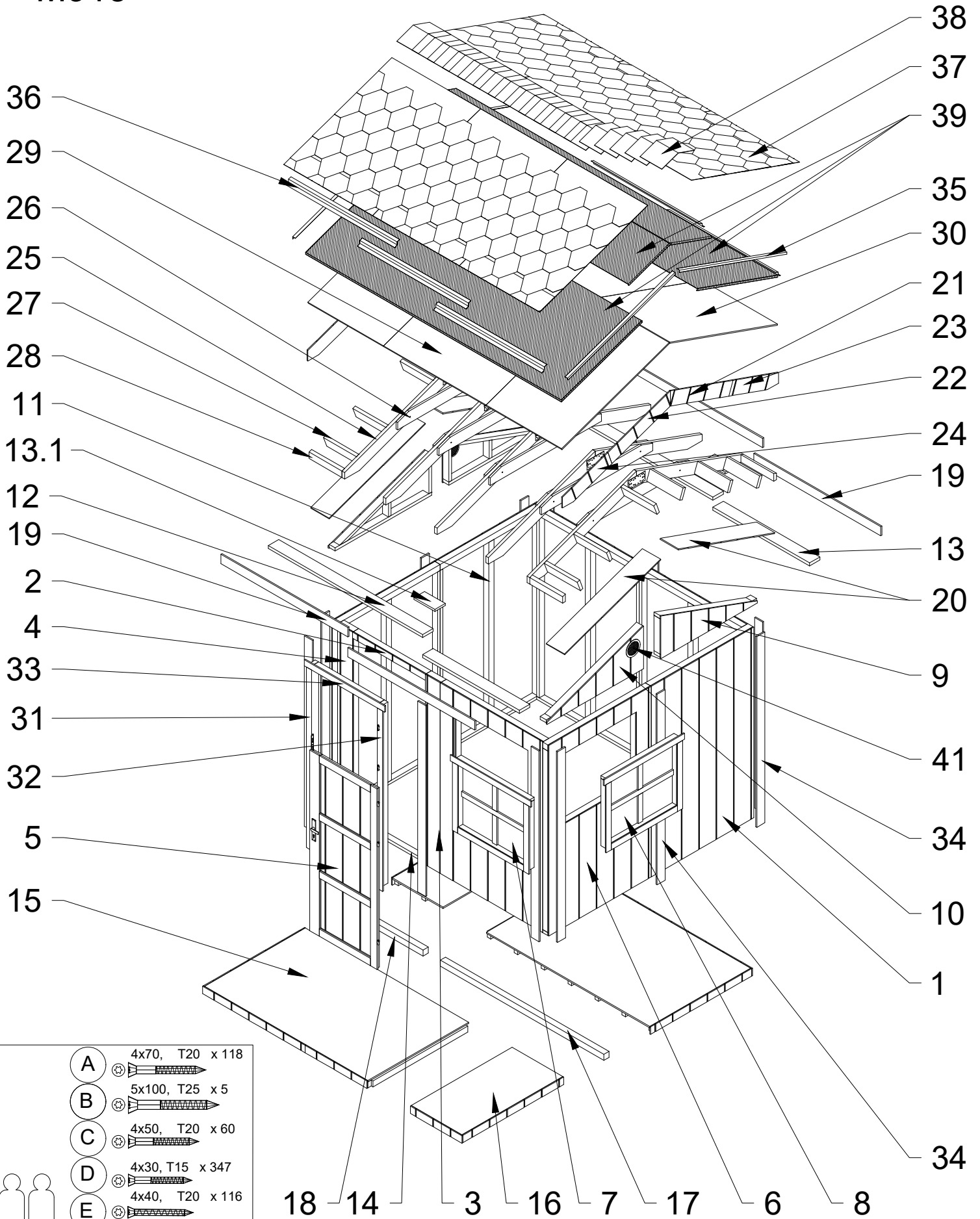
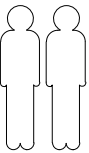



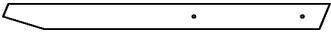
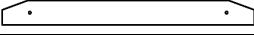

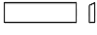

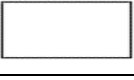
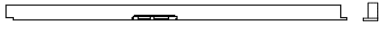
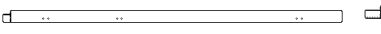

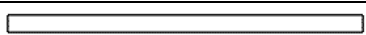
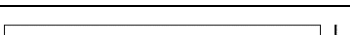

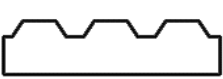

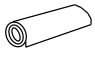
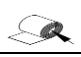

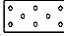
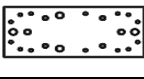




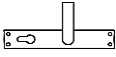

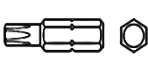


# M913



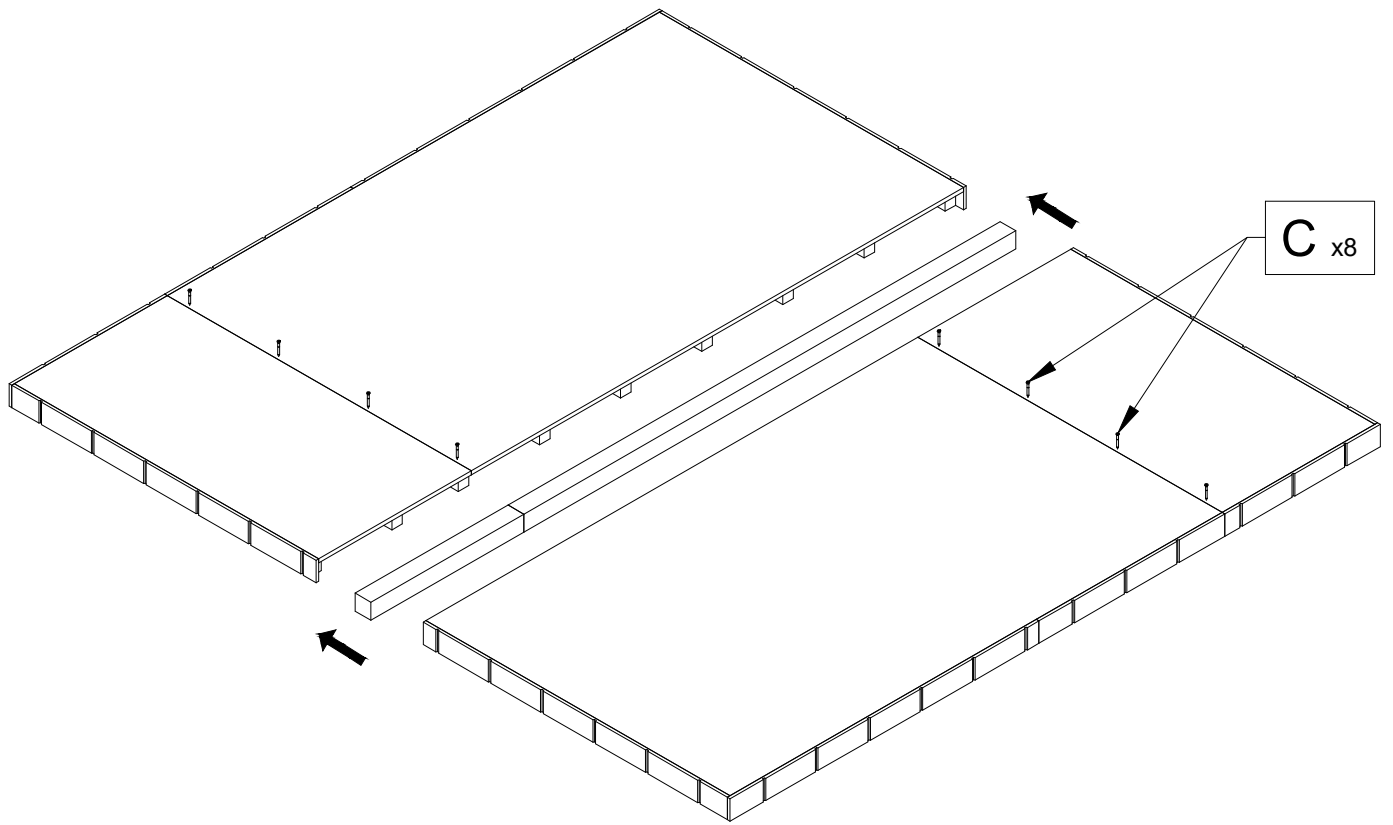
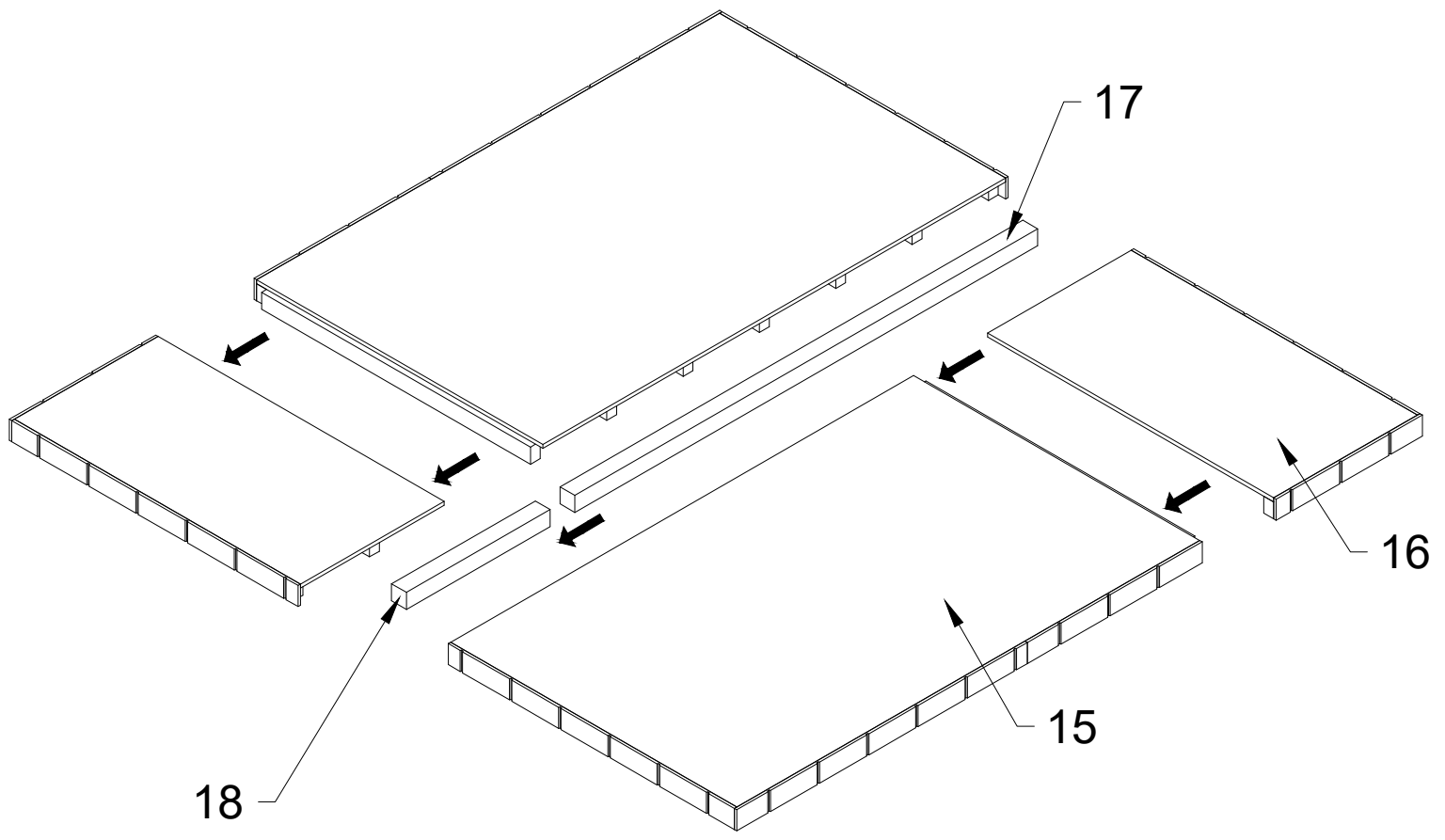
- |          |                 |
|----------|-----------------|
| <b>A</b> | 4x70, T20 x 118 |
| <b>B</b> | 5x100, T25 x 5  |
| <b>C</b> | 4x50, T20 x 60  |
| <b>D</b> | 4x30, T15 x 347 |
| <b>E</b> | 4x40, T20 x 116 |
| <b>F</b> | 3,1x15 x 2 pack |
| <b>G</b> | 3x12 x 6        |
| <b>H</b> | 10x50 x 10      |
| <b>I</b> | 10x90 x 10      |



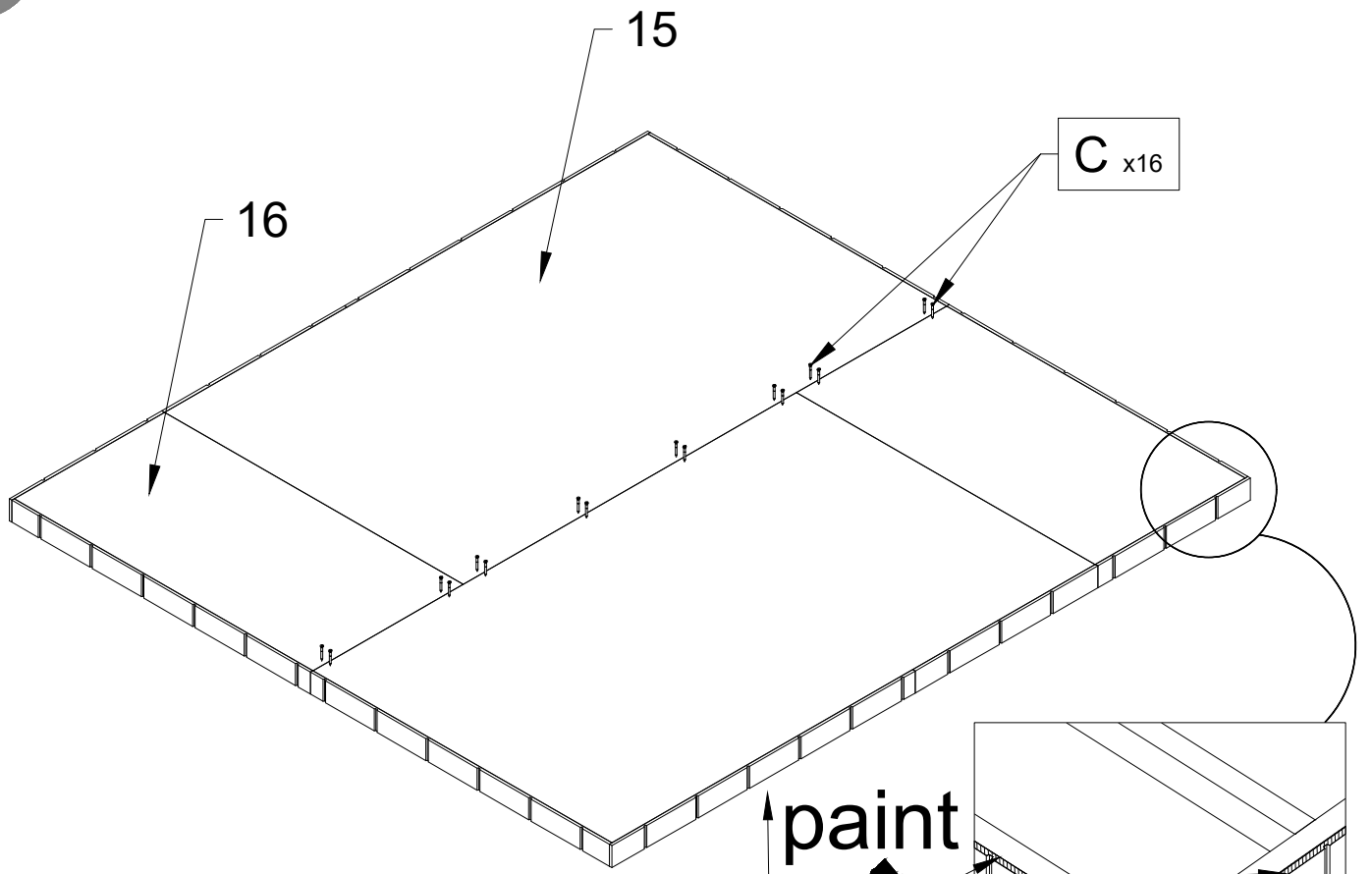
№		PCS			
			mm	mm	mm
1		5		1180	1900
2		1		60	839
3		1		170	1900
4		1		170	1900
5		1		772	1801
6		2		1180	1900
7		1			
8		1			
9		2		425	1110
10		2		425	1110
11		5	60	60	1810
12		2	20	120	1740
13		2	20	120	1180
13.1		2	20	120	240
14		1	30	57	839
15		2	Skydai	1172	1910
16		2	Skydai	1172	594
17		1	60	60	1880
18		1	60	60	584
19		4	13	92	1460
20		4	10	200	1177
21		2	10	142	767
22		2	10	142	767
23		2	10	142	590

24		2	10	142	590
25		10	30	120	1330
26		8	20	120	1280
27		12	30	110	380
28		4	30	75	380
29		2	12	1180	1317
30		4	12	870	1317
31		1	60	82	1839
32		1	60	82	1839
33		1	60	82	925
34		12	13	92	1900
35		4			1660
36		6			12520
37		3			
38		7			
39		3		1m	3,33m
40		1			
41		2			
42		4	MP100x40		
43		10	MP100x340		
44		10	MK60x60x40		
45		3			
46		3			
47		1			
48		1			
49		1			
50		1			
51		1			
52		1			

1

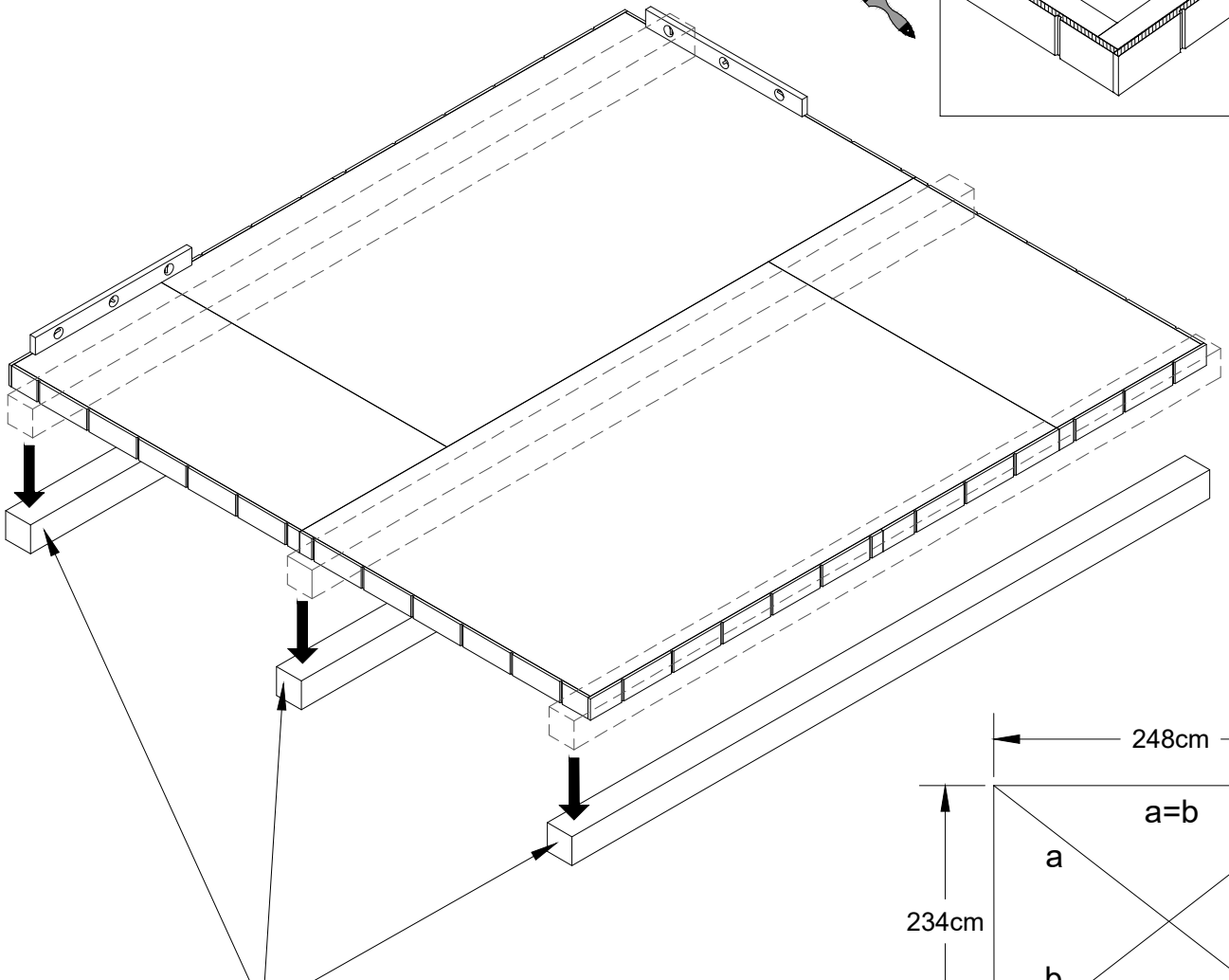
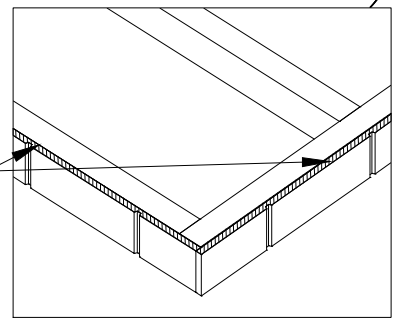


2

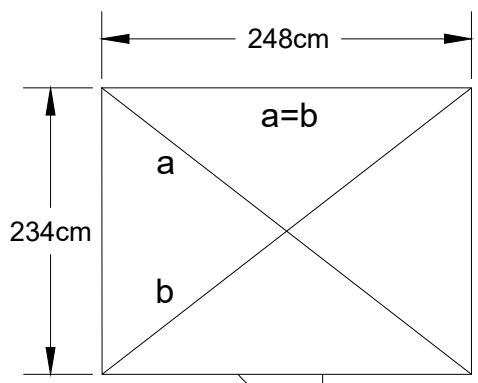


↑ paint

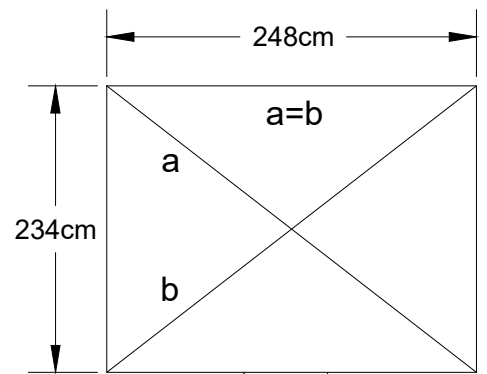
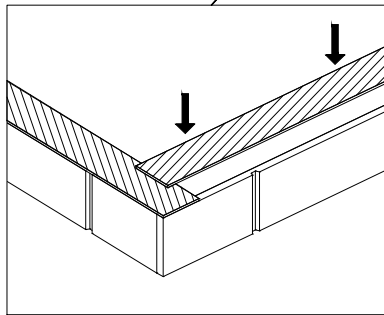
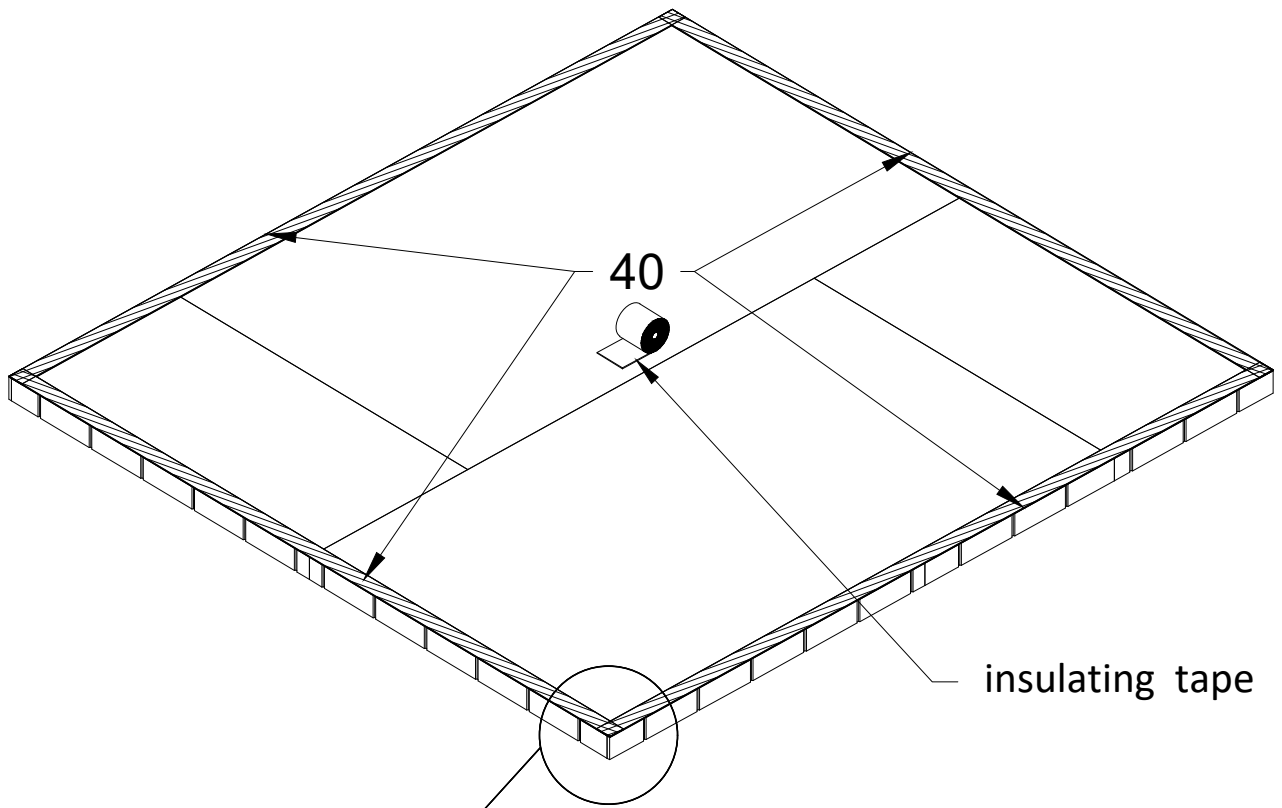
Icon of a paintbrush, indicating that the frame should be painted.



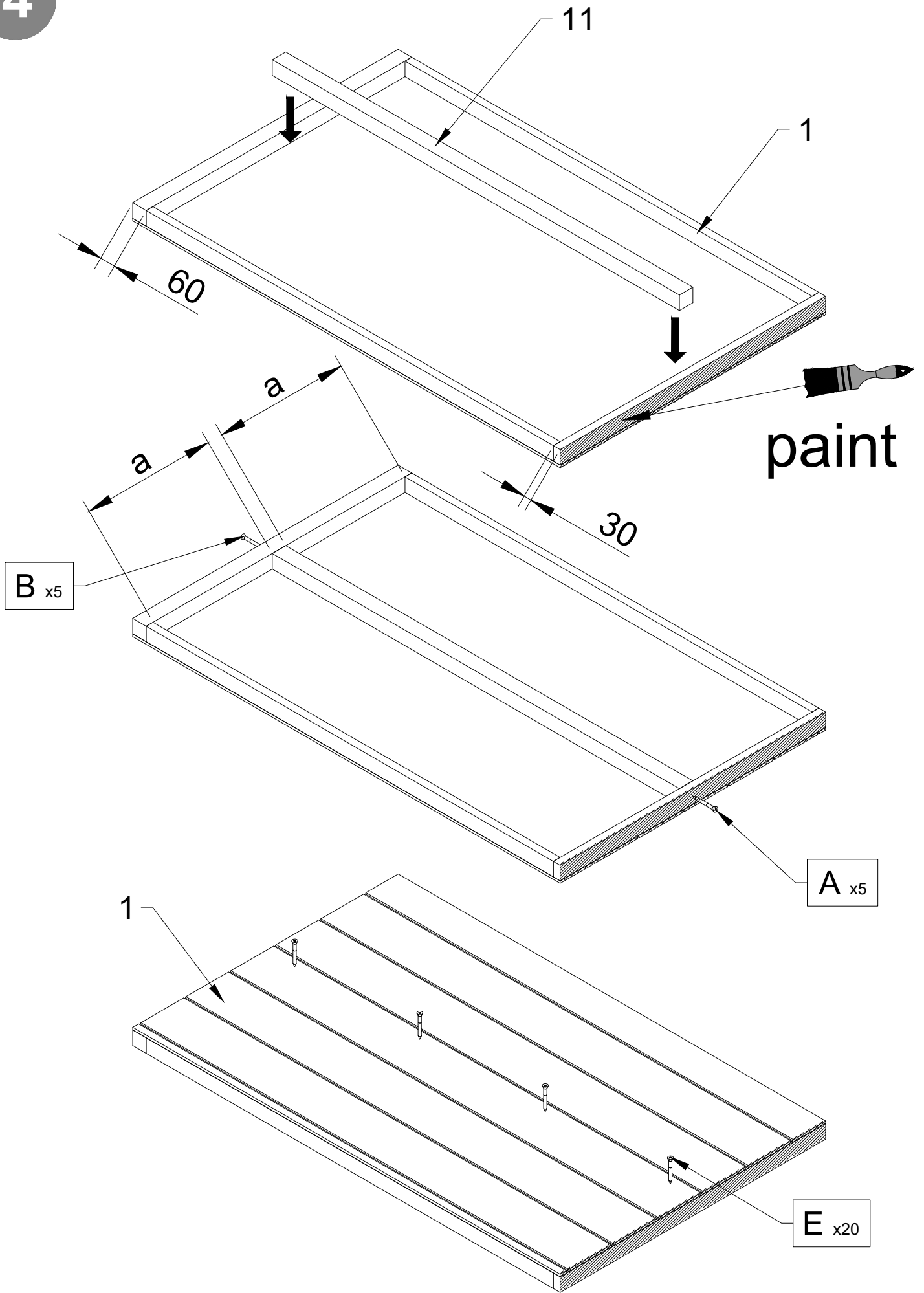
100x100mm runners not included



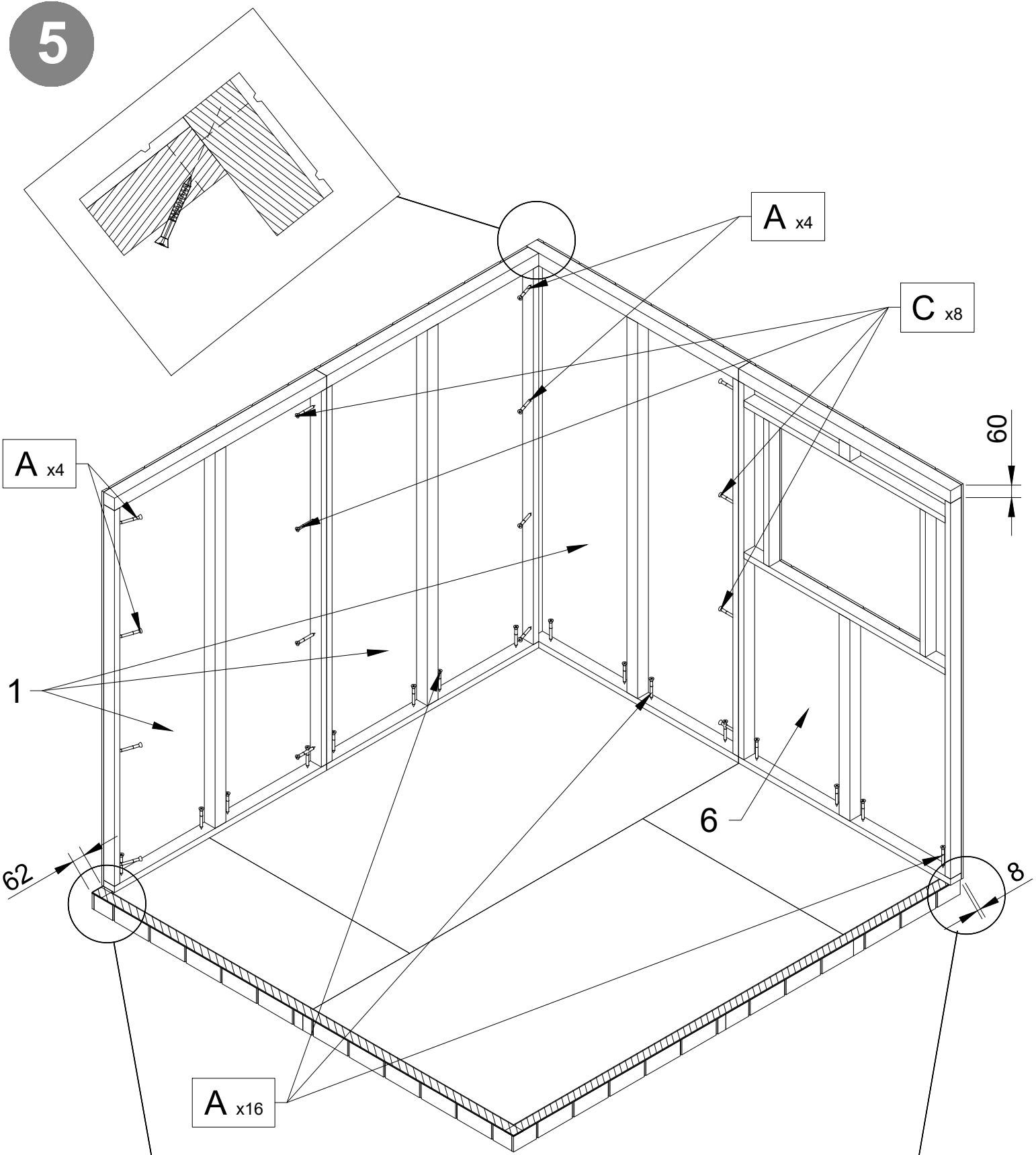
3



4



5



A x4

A x4

C x8

1

6

62

8

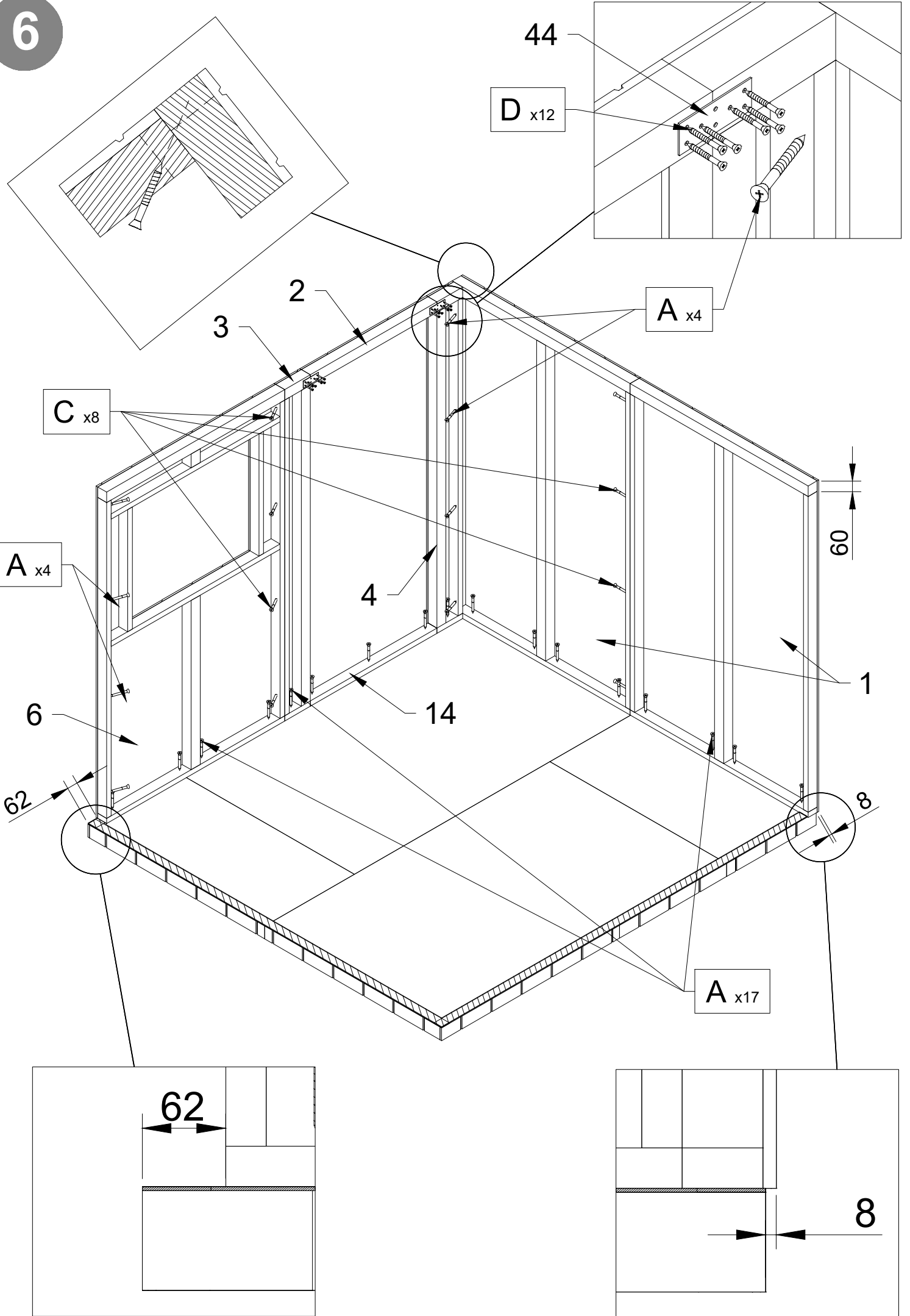
A x16

60

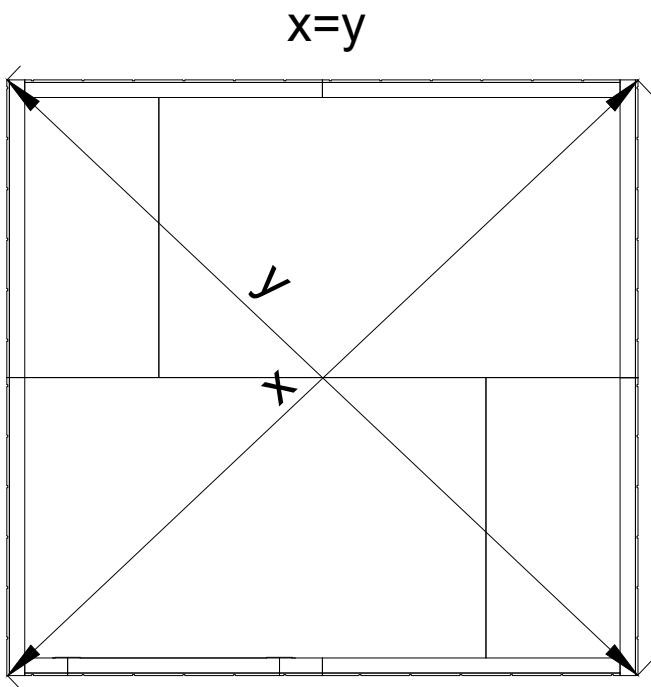
62

8

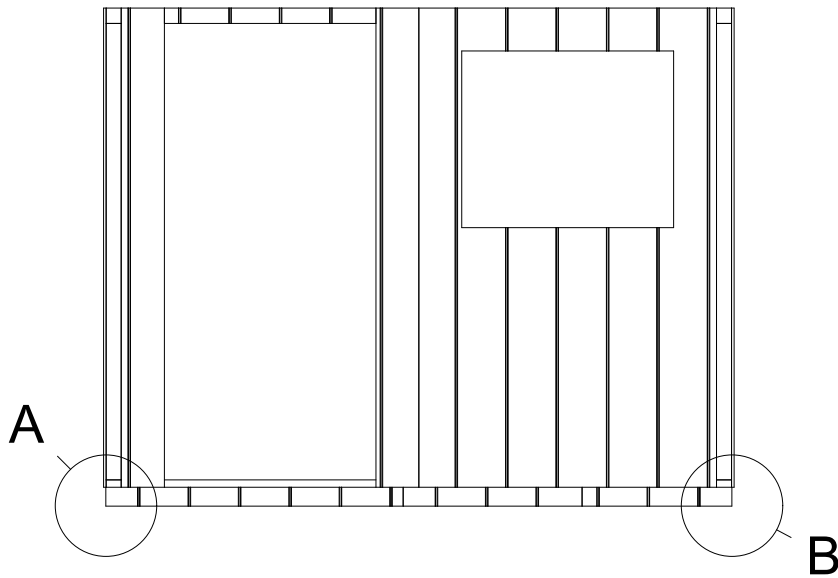
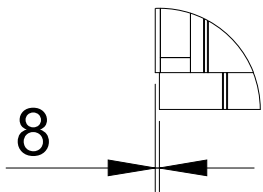
6



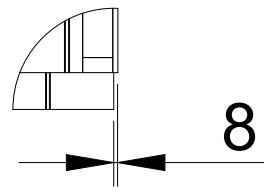
7



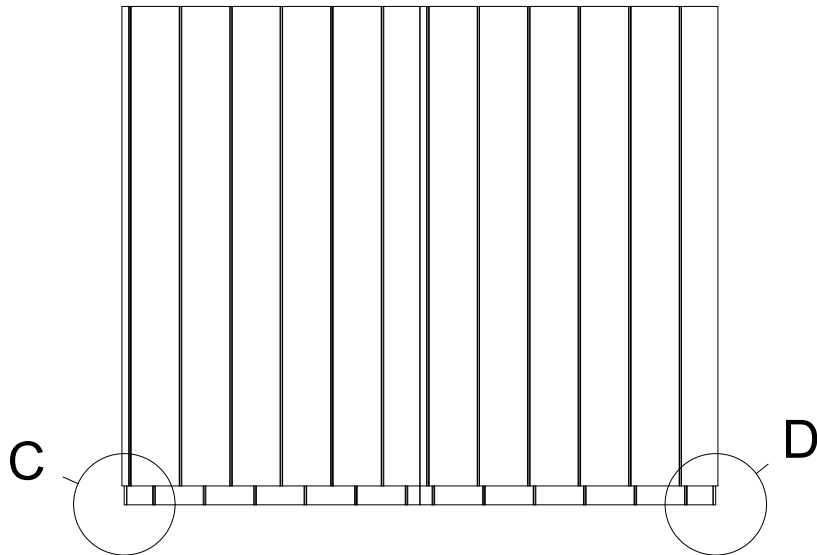
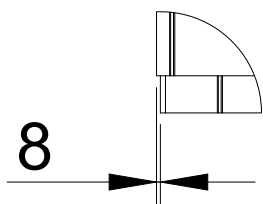
Det A



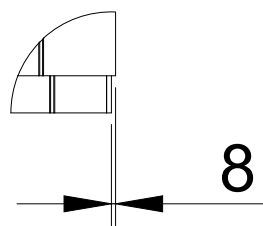
Det B



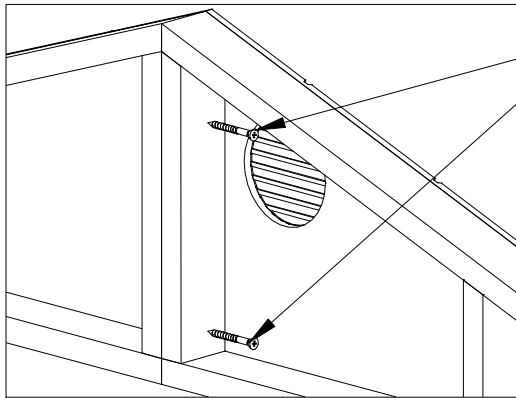
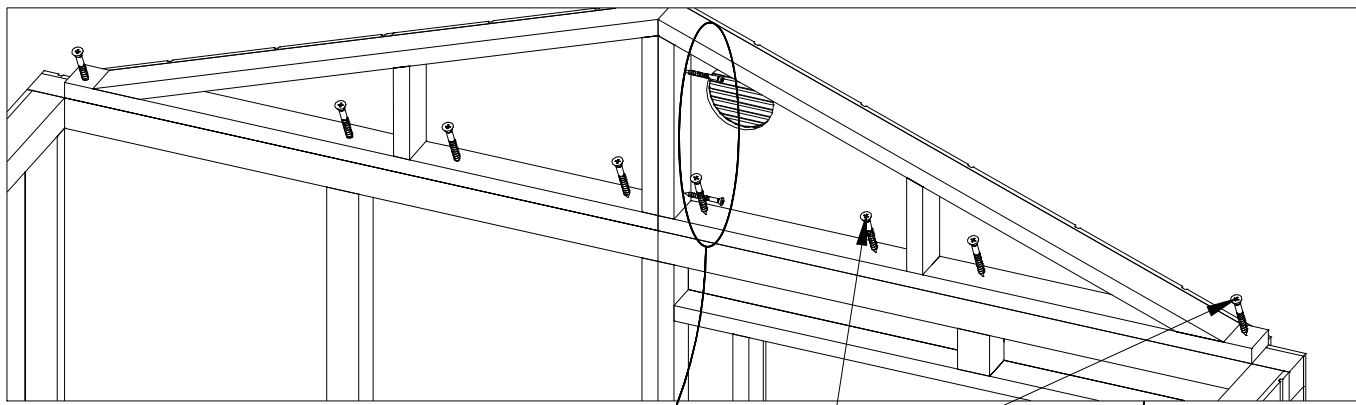
Det C



Det D



8



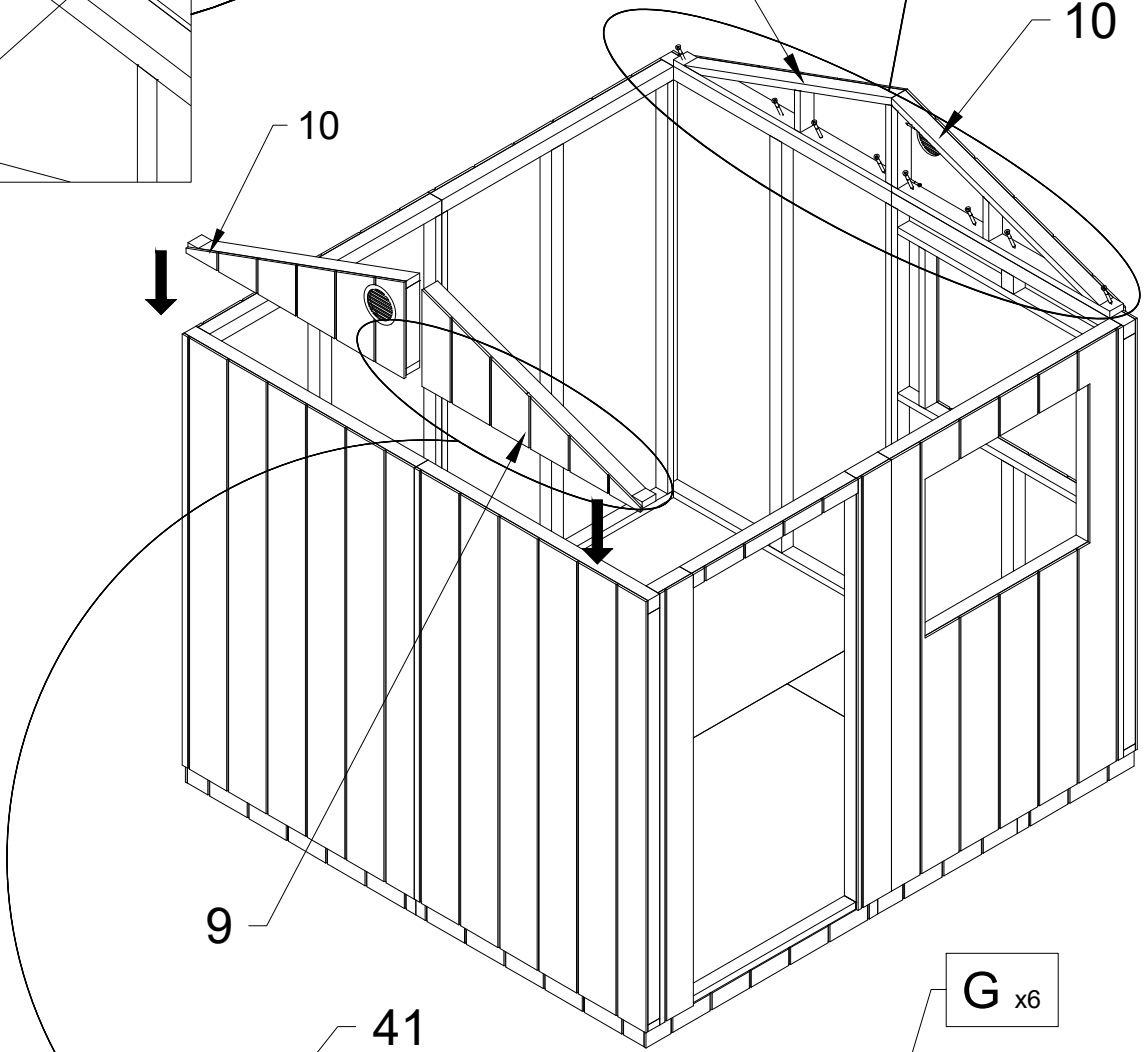
C x4

A x16

9

10

10

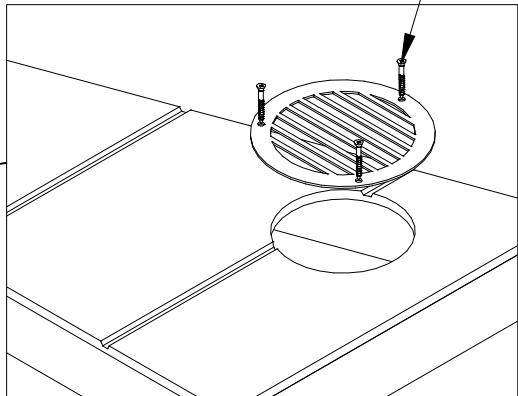
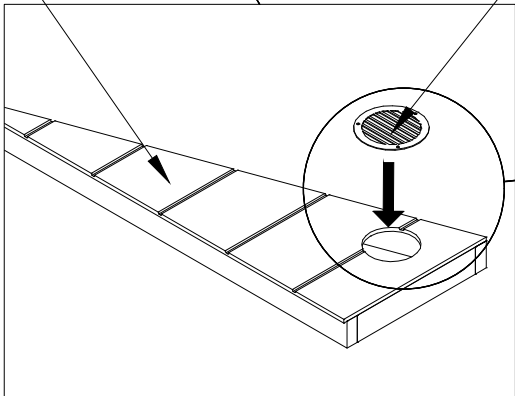


9

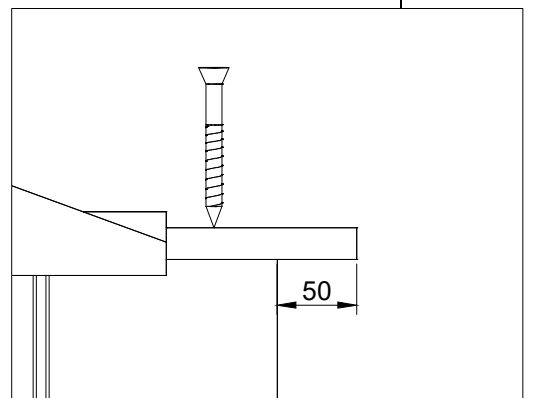
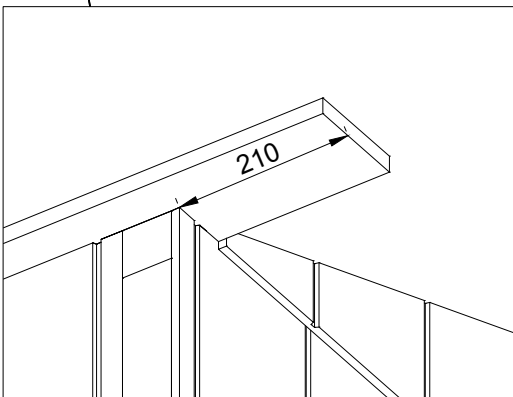
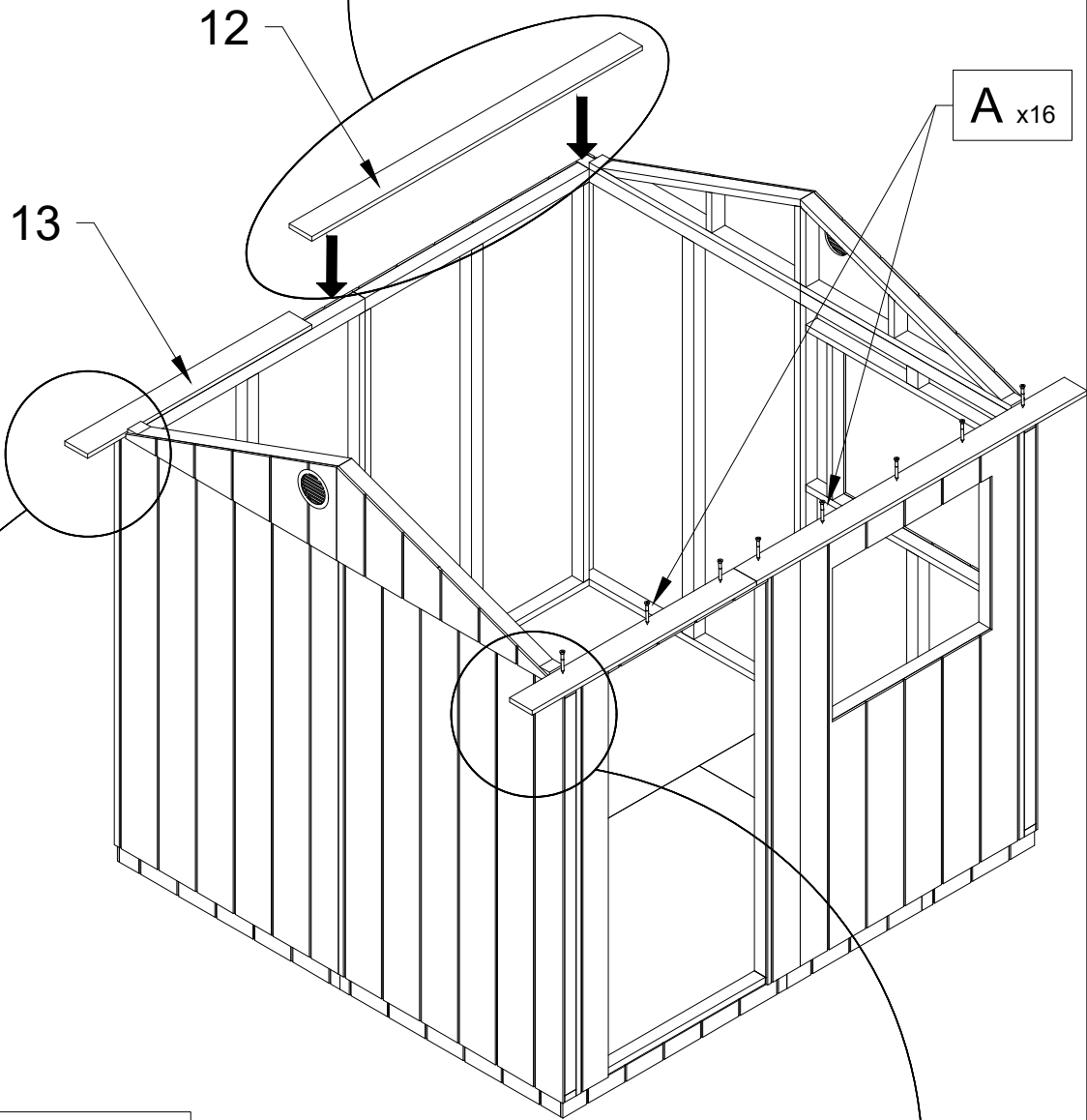
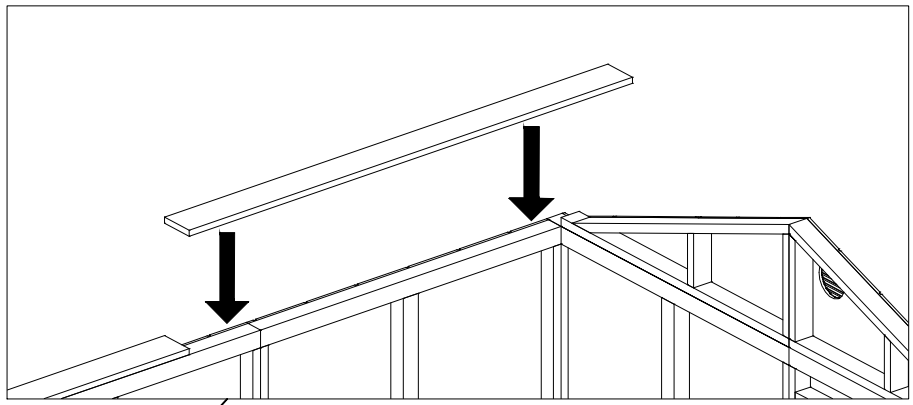
10

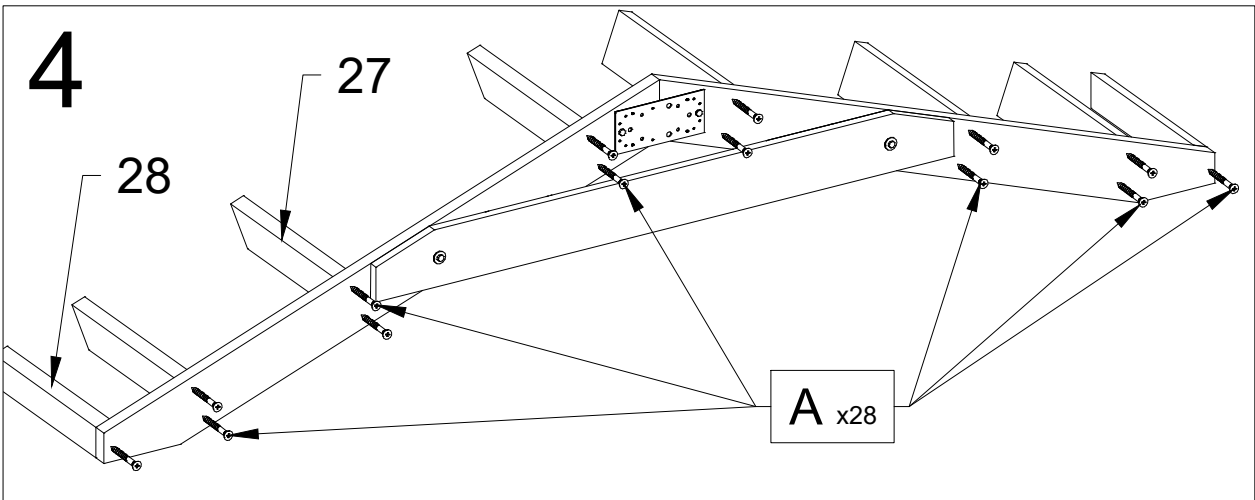
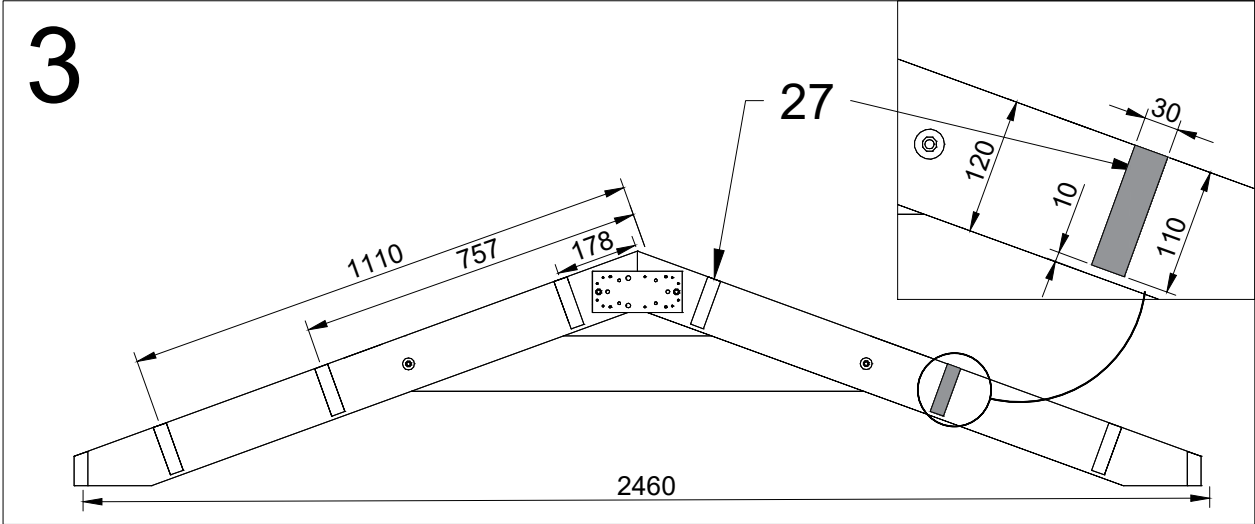
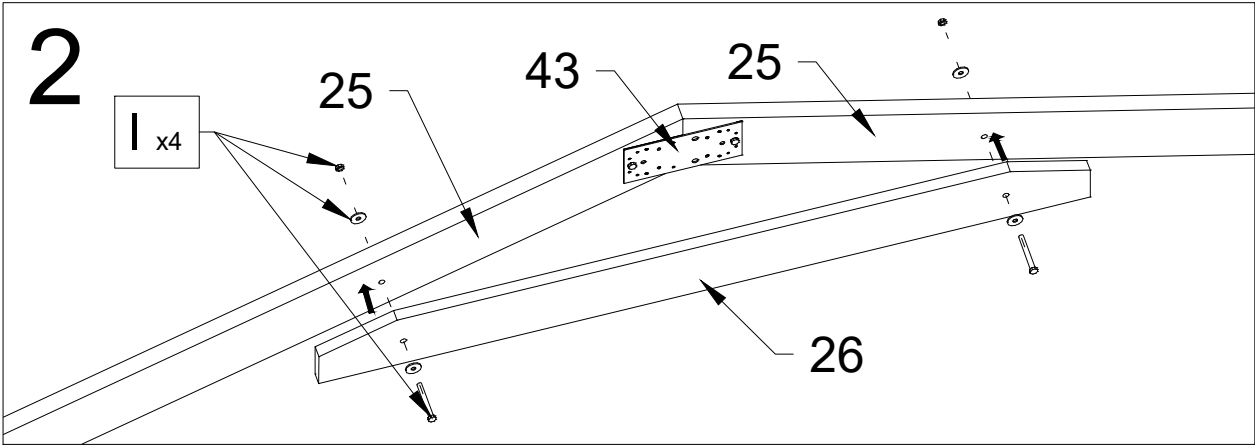
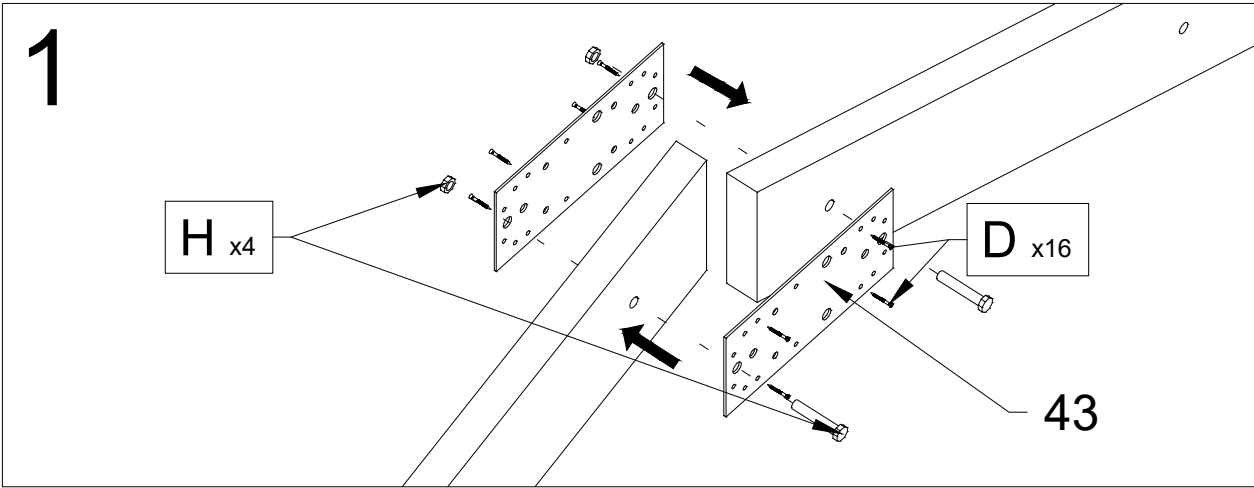
41

G x6

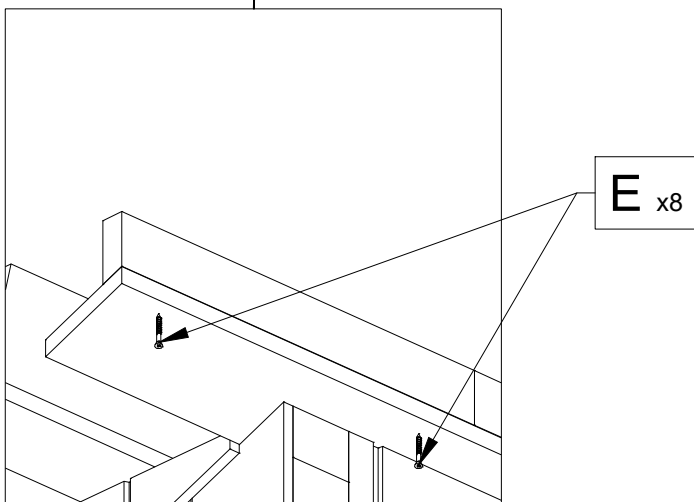
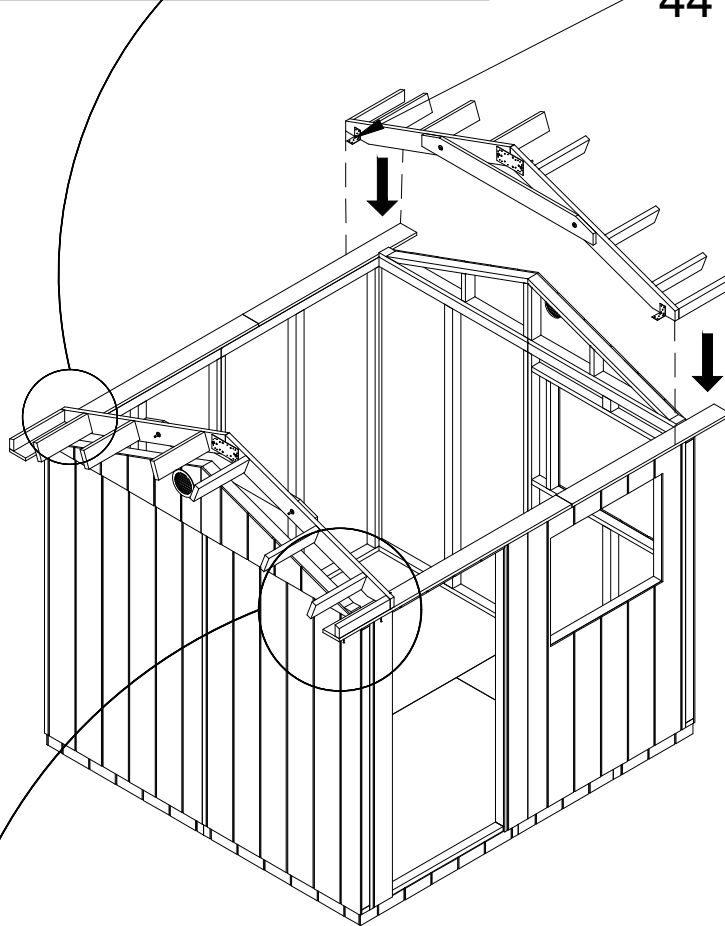
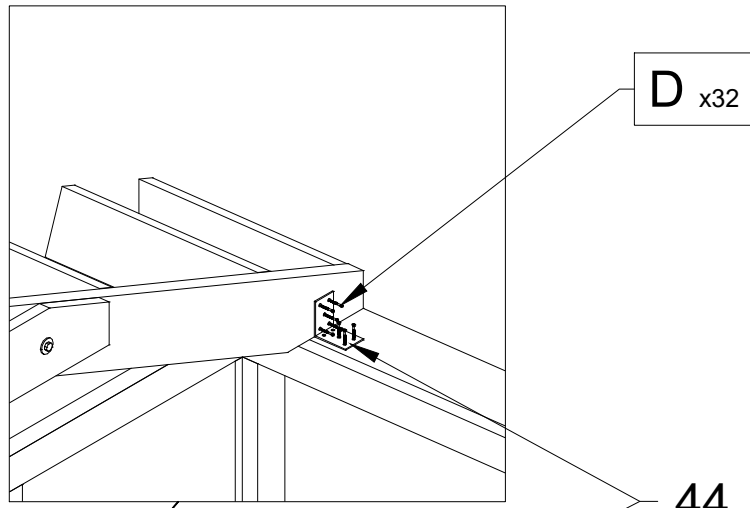


9

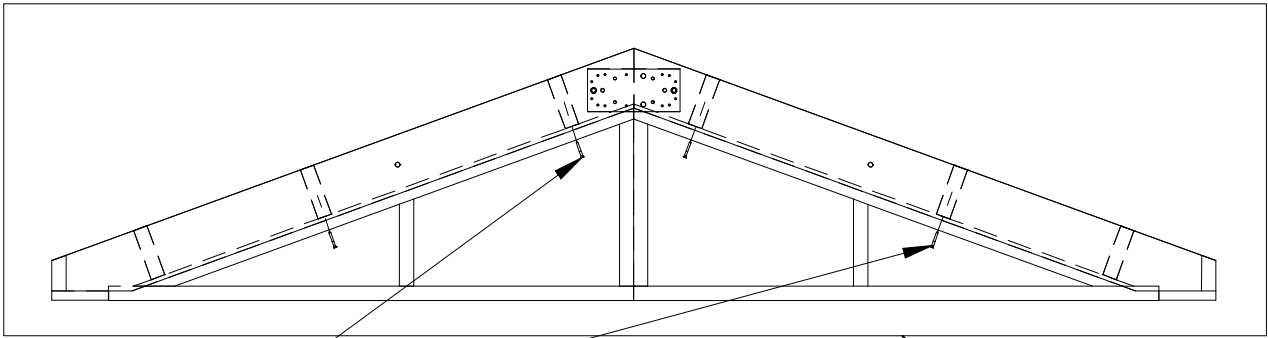




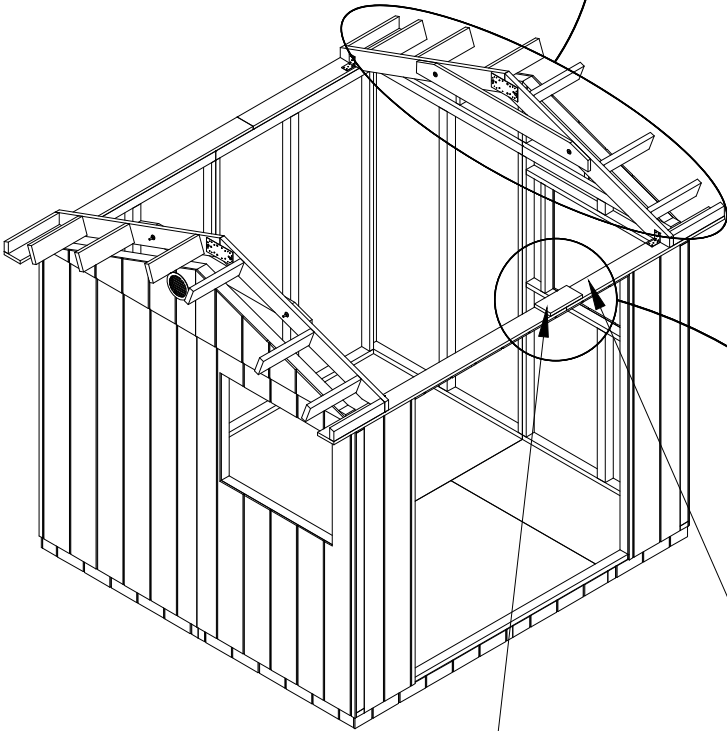
11



# 11.1

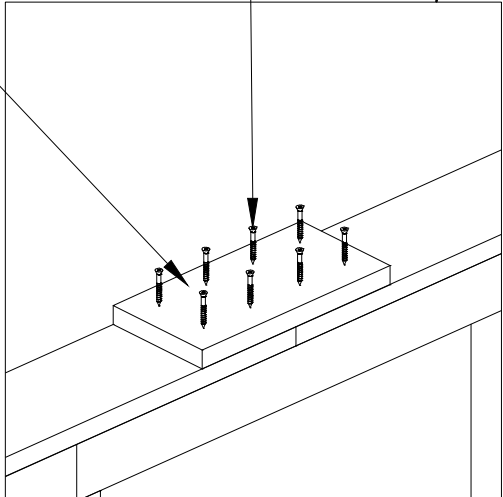


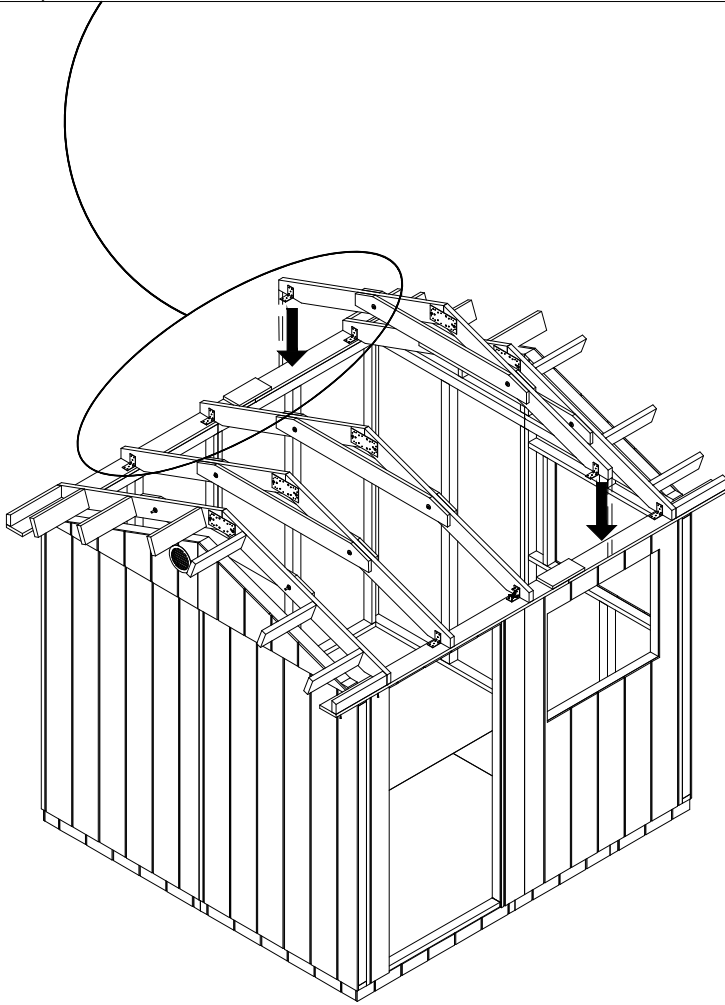
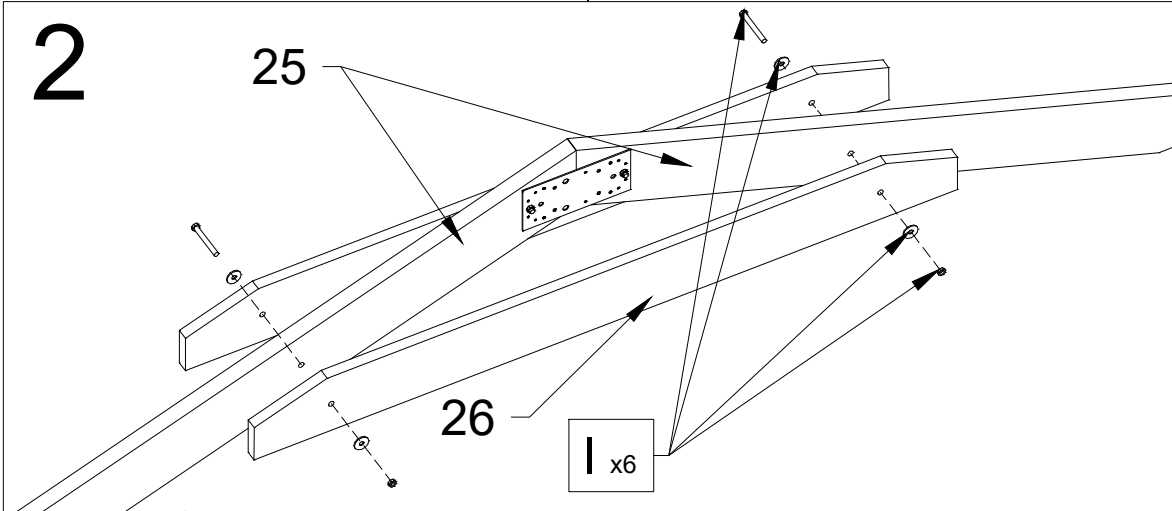
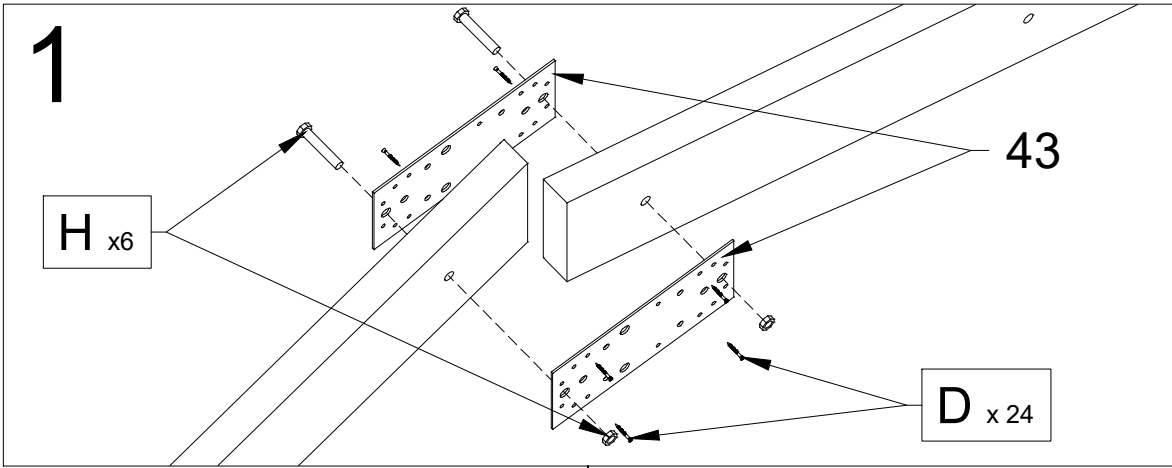
A x8



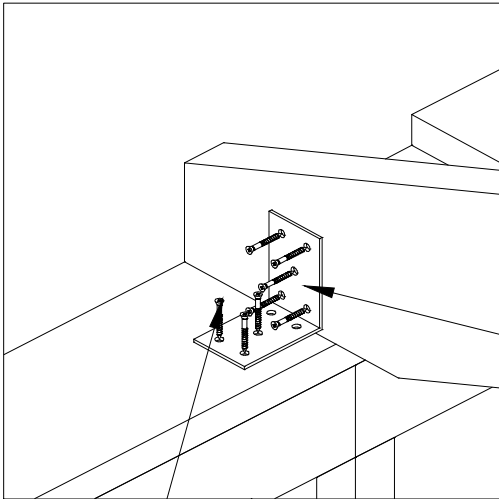
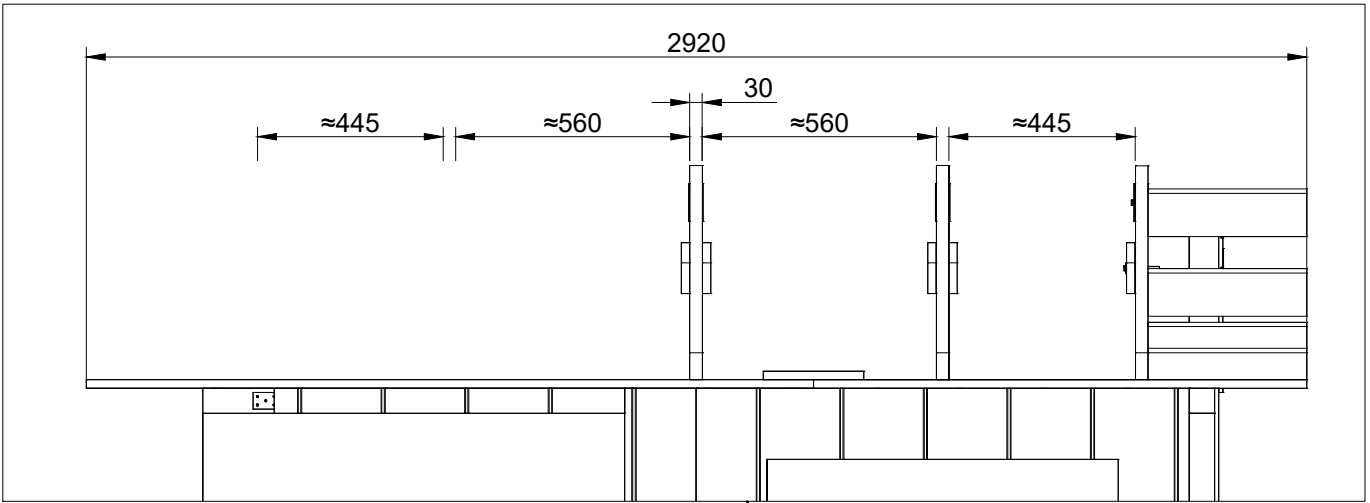
D x16

13.1

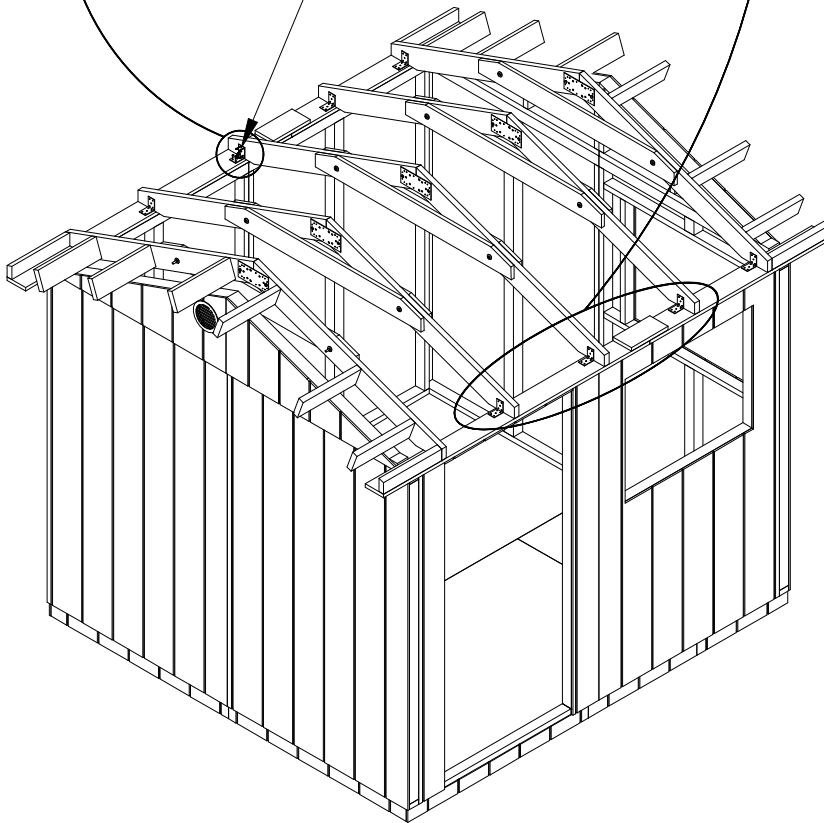


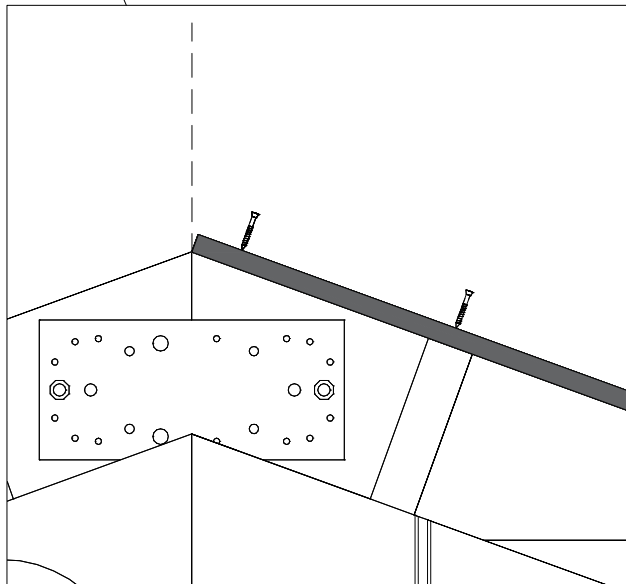
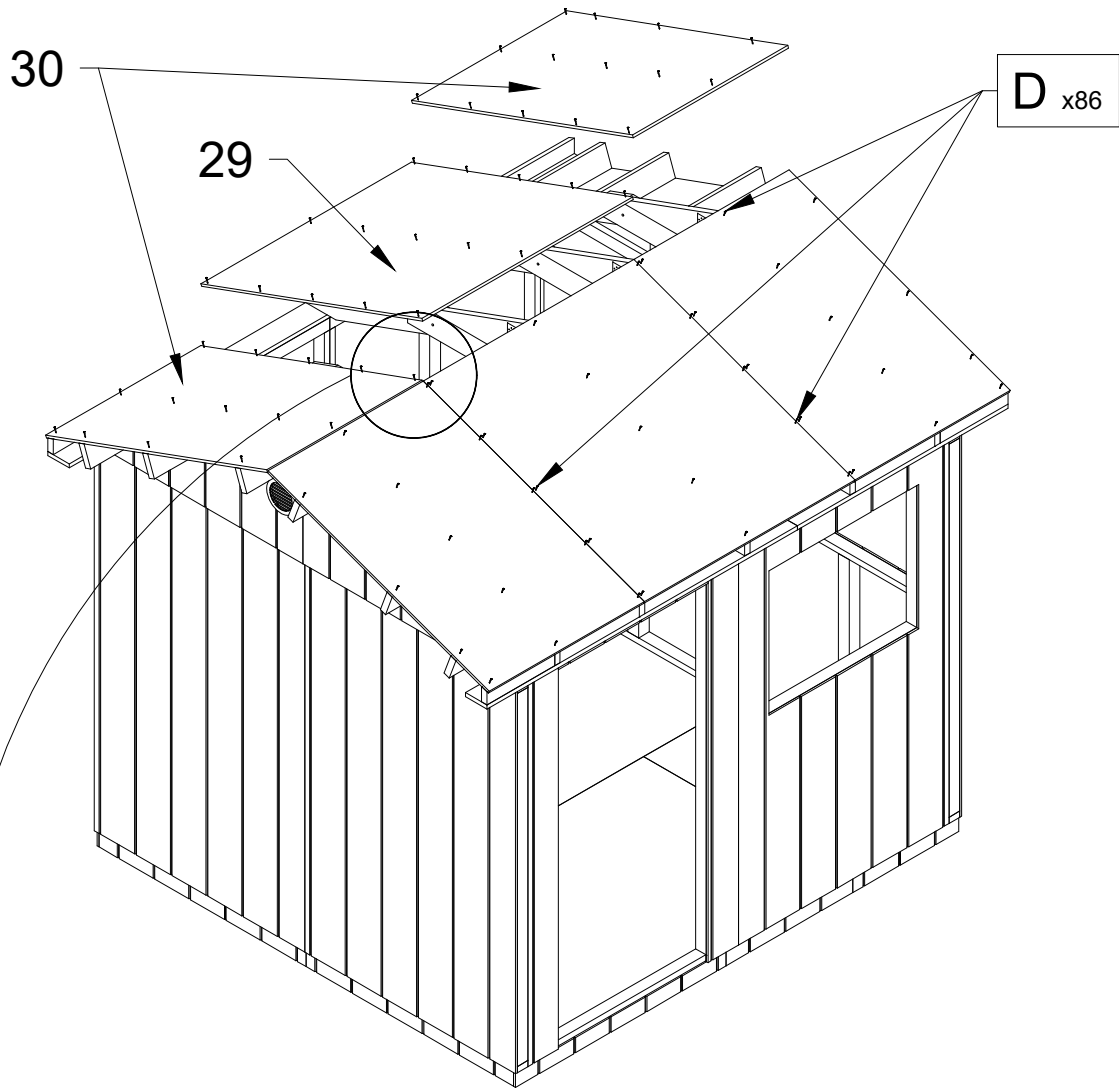


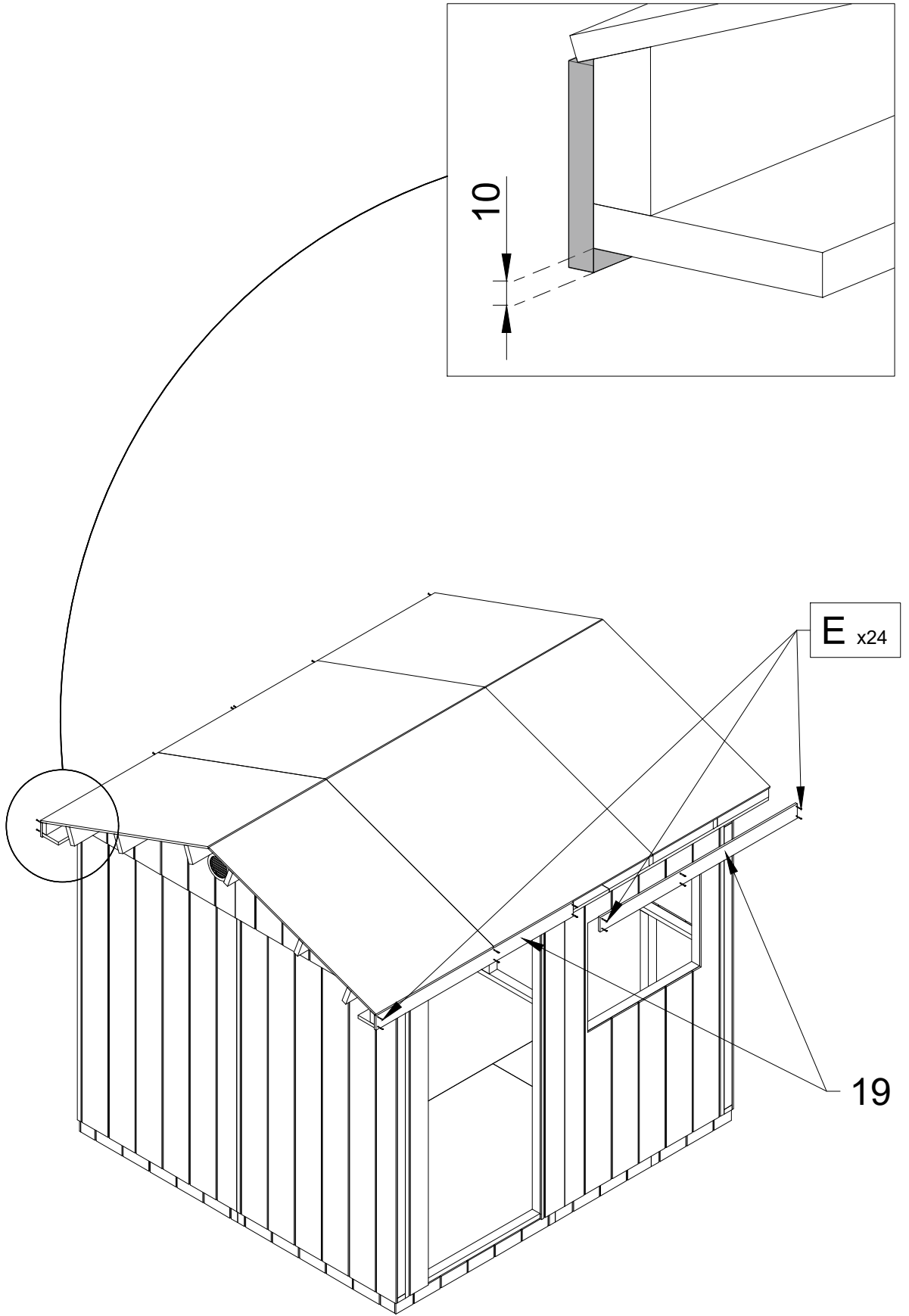
13

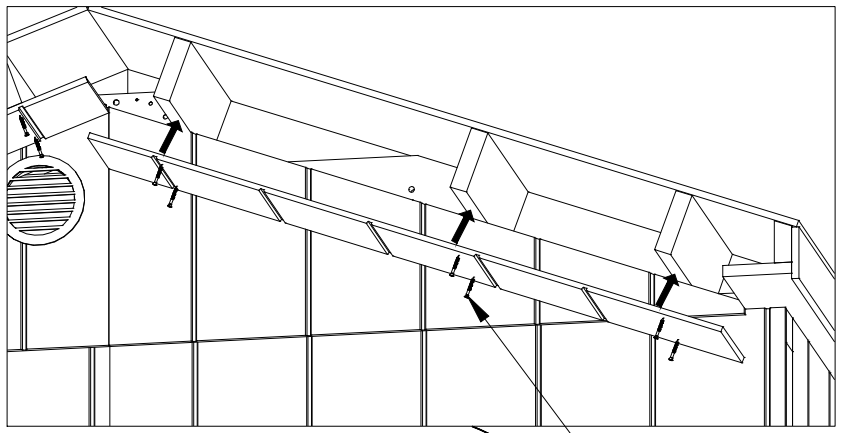


D x48

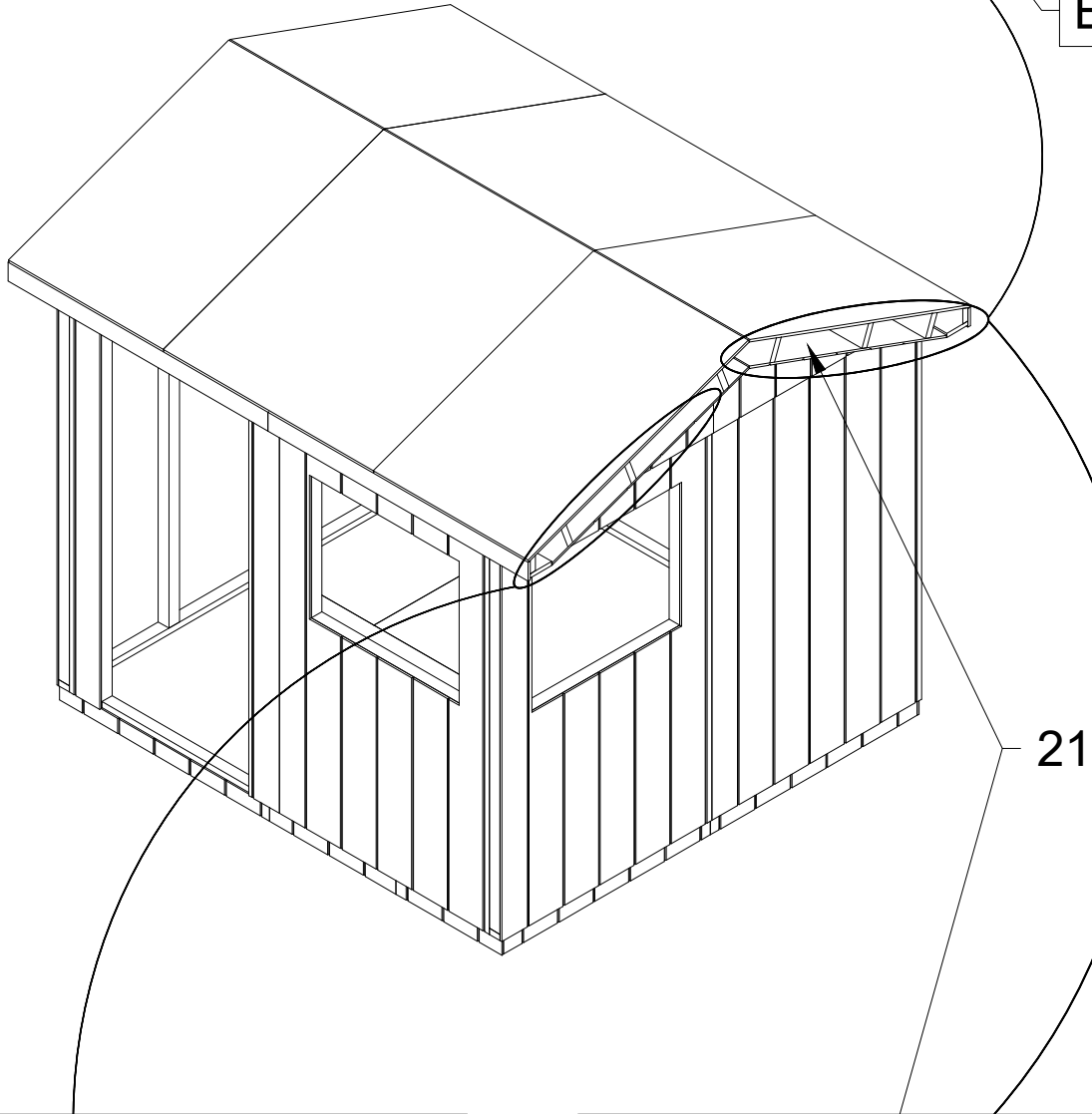




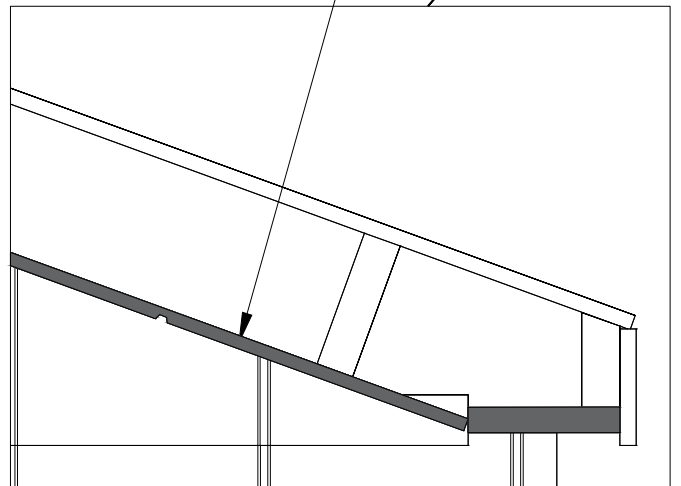
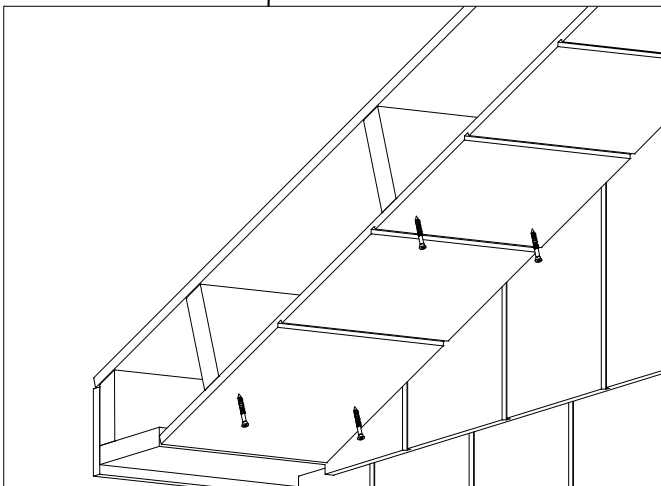


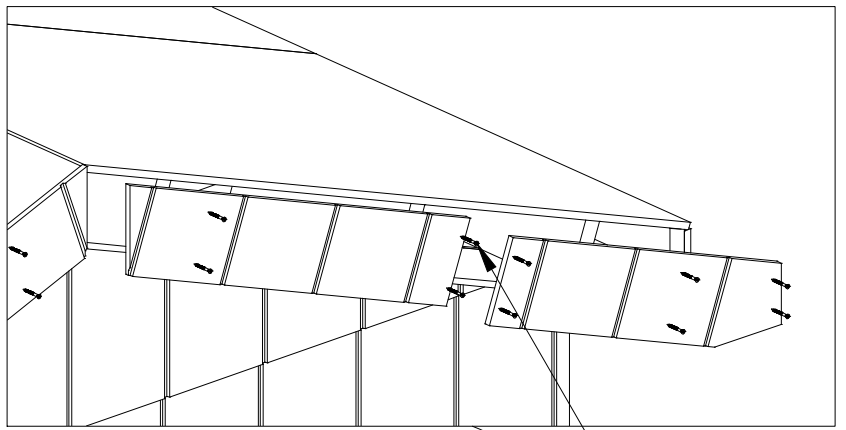


E x24

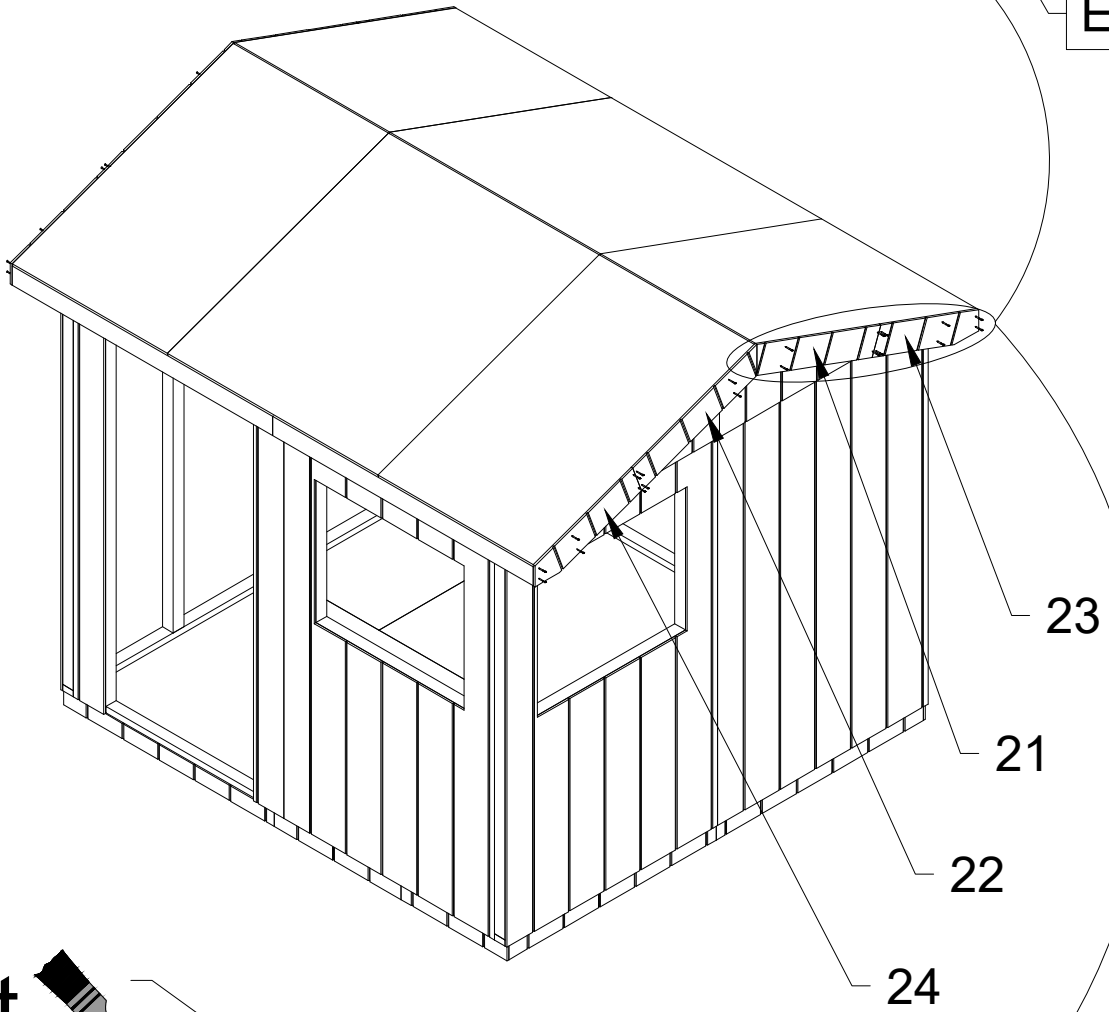


21

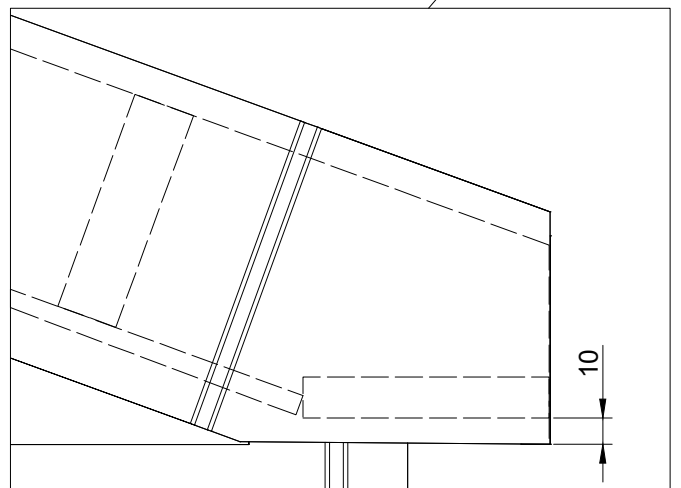
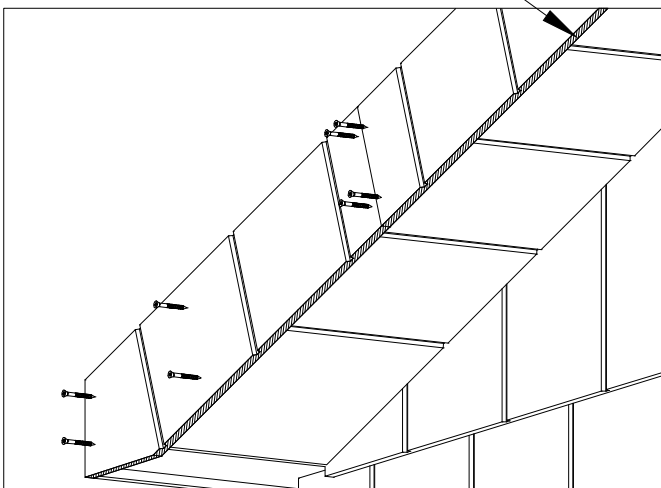
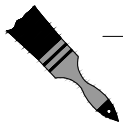


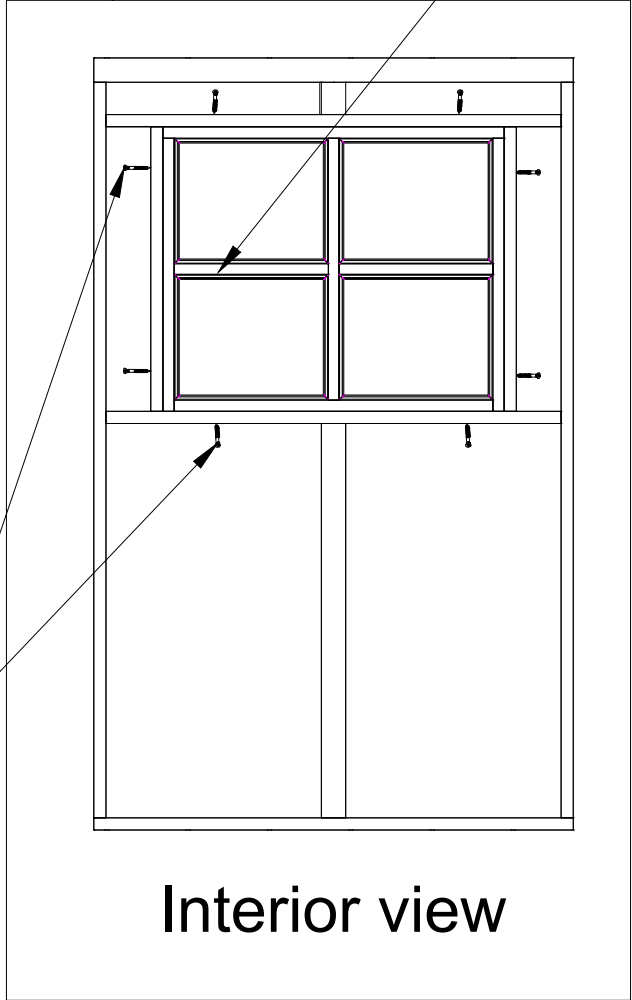
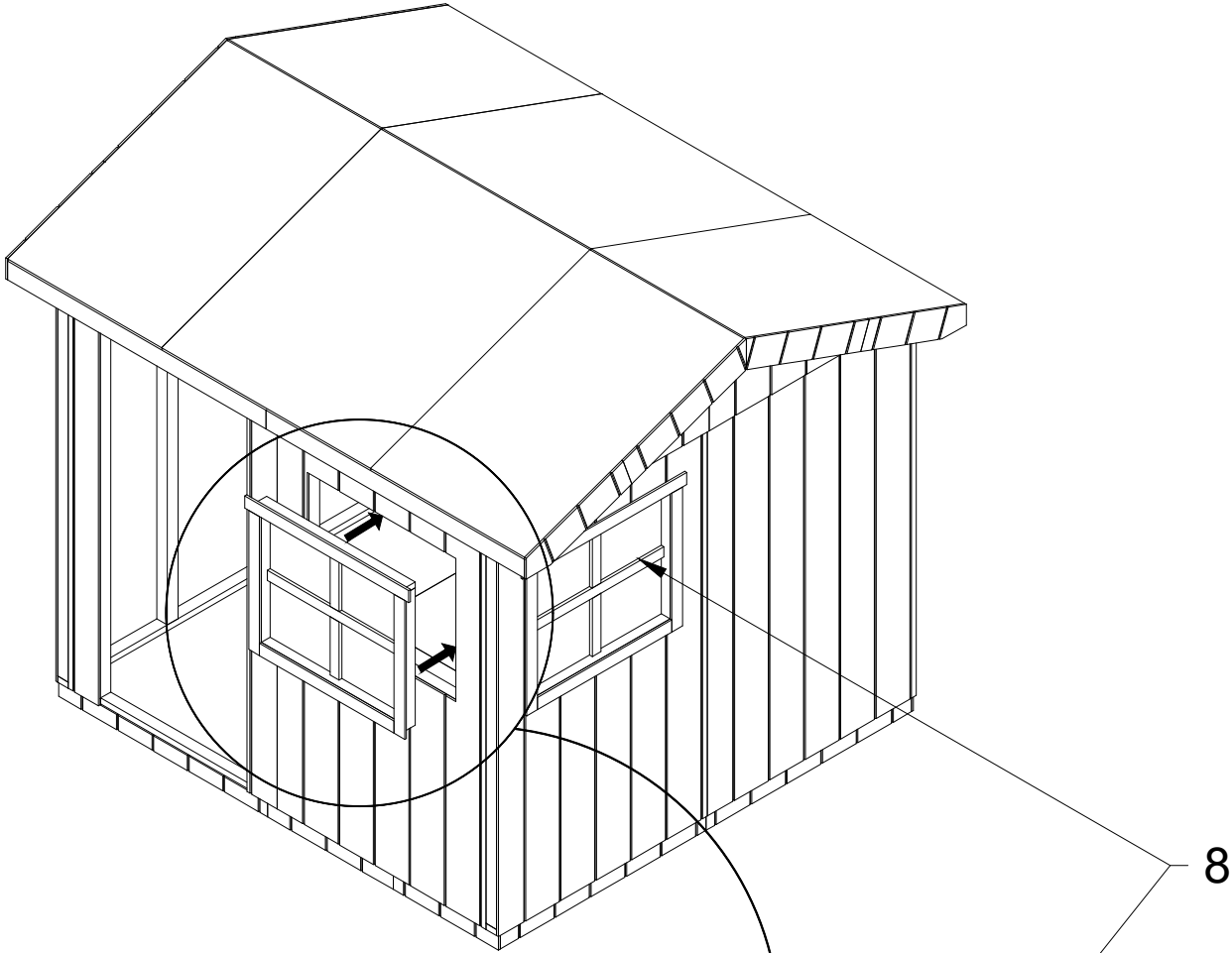


E x40



paint

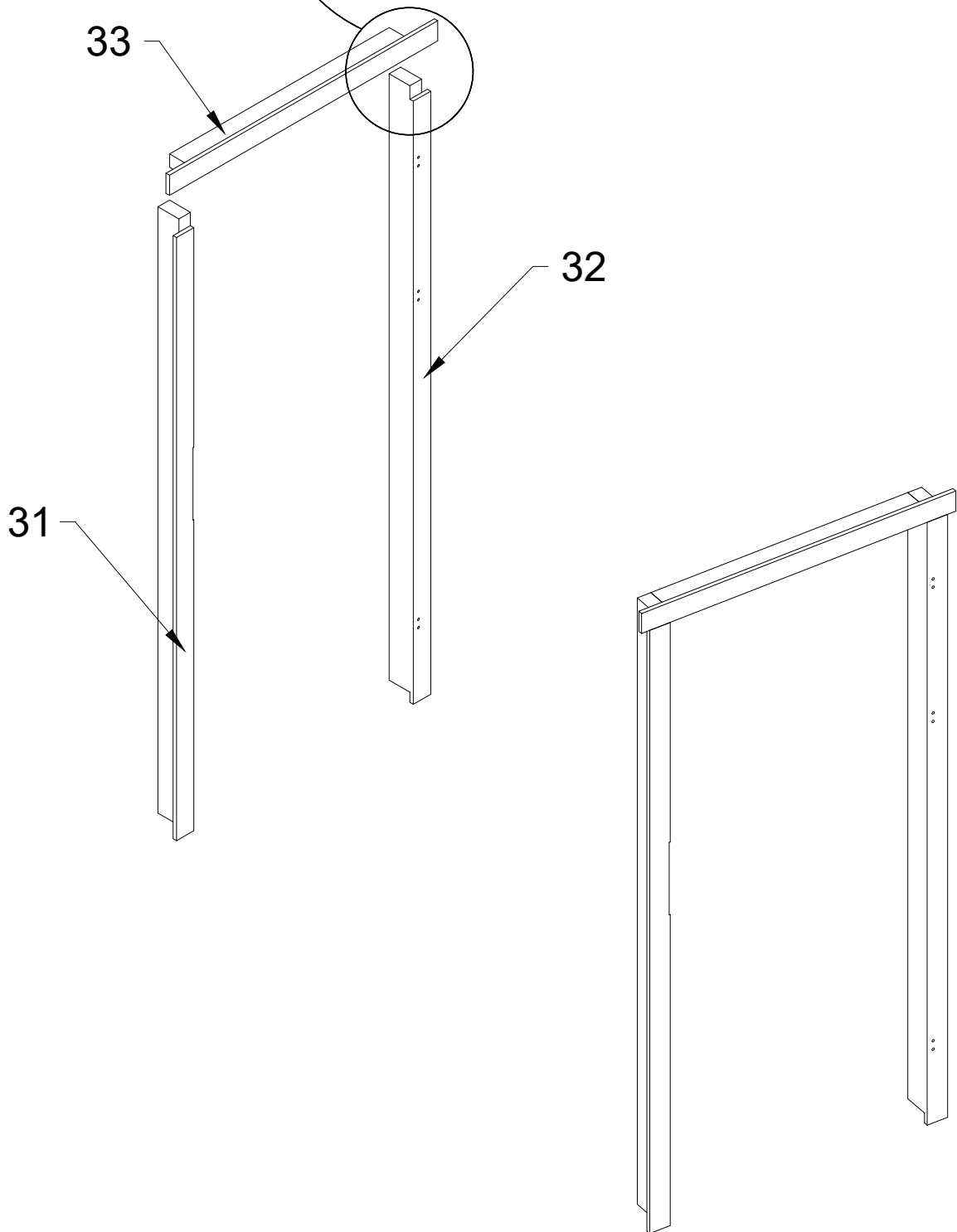
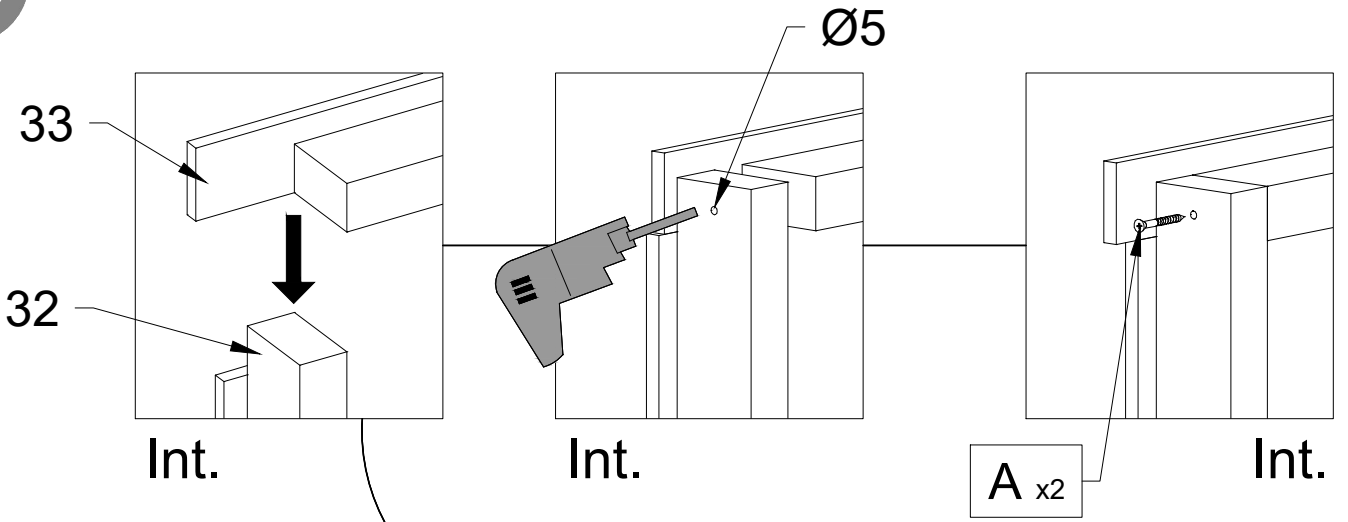


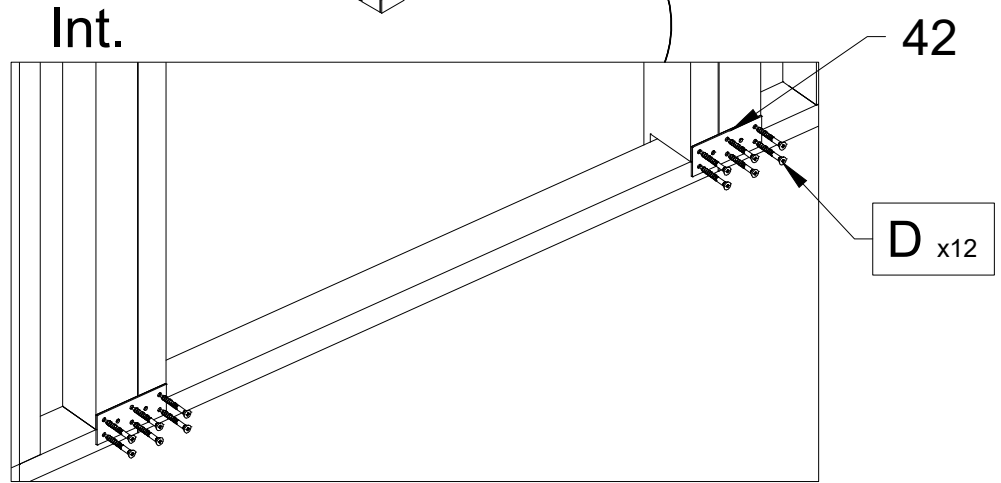
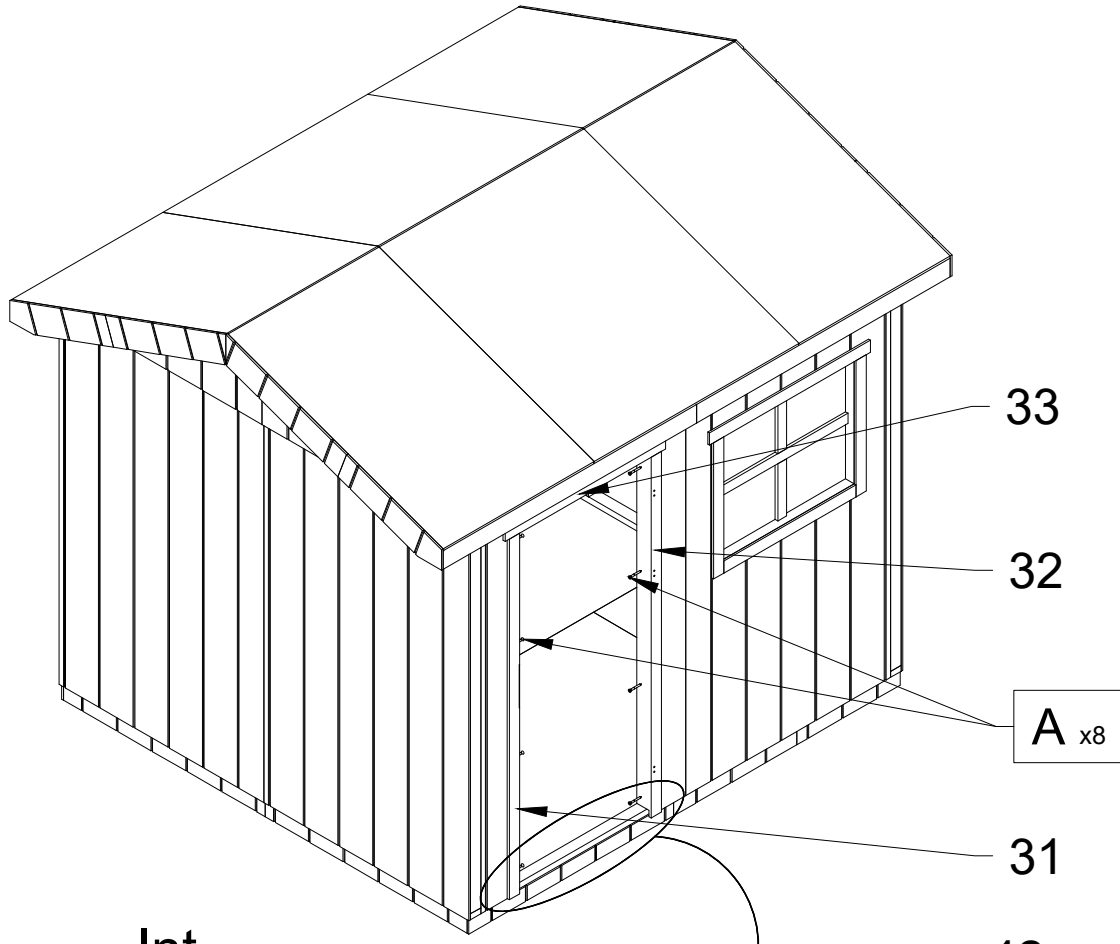
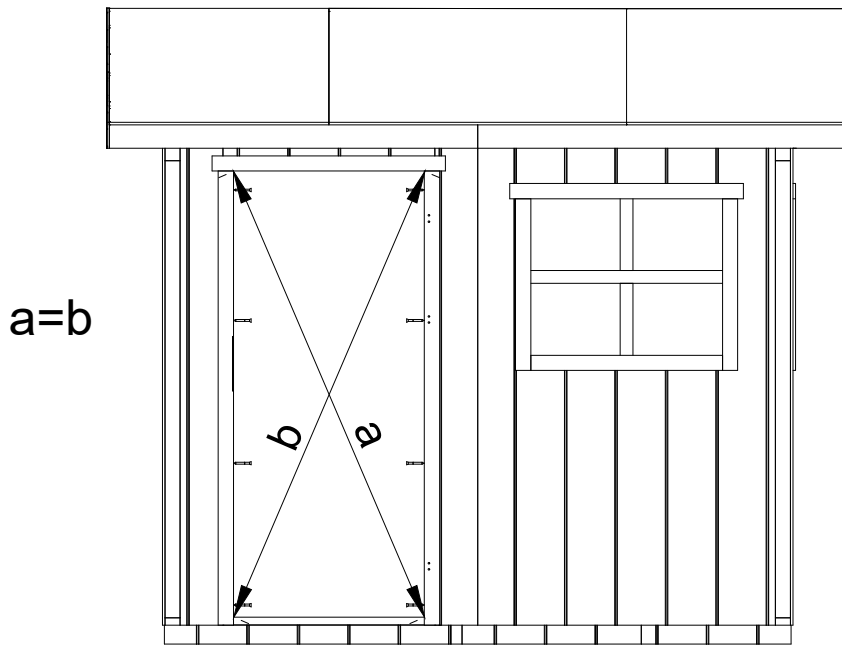


C x16

Interior view

19

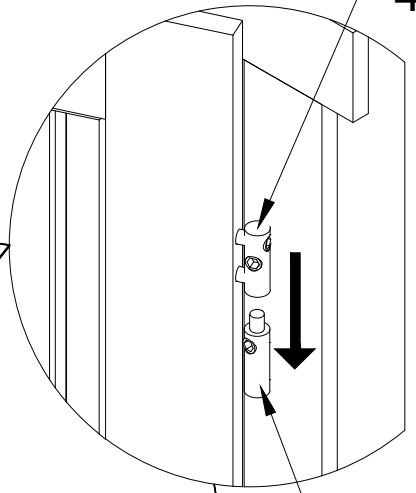
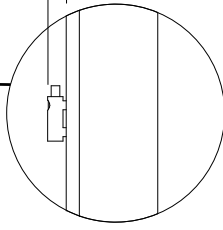
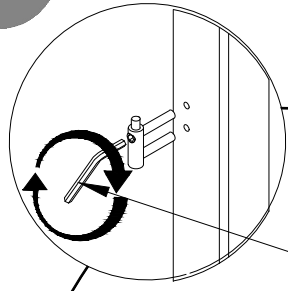




21

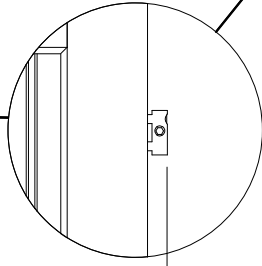
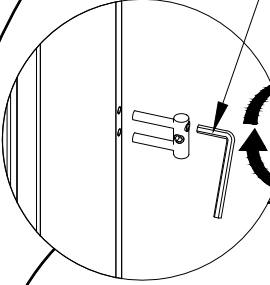
14-19mm

45



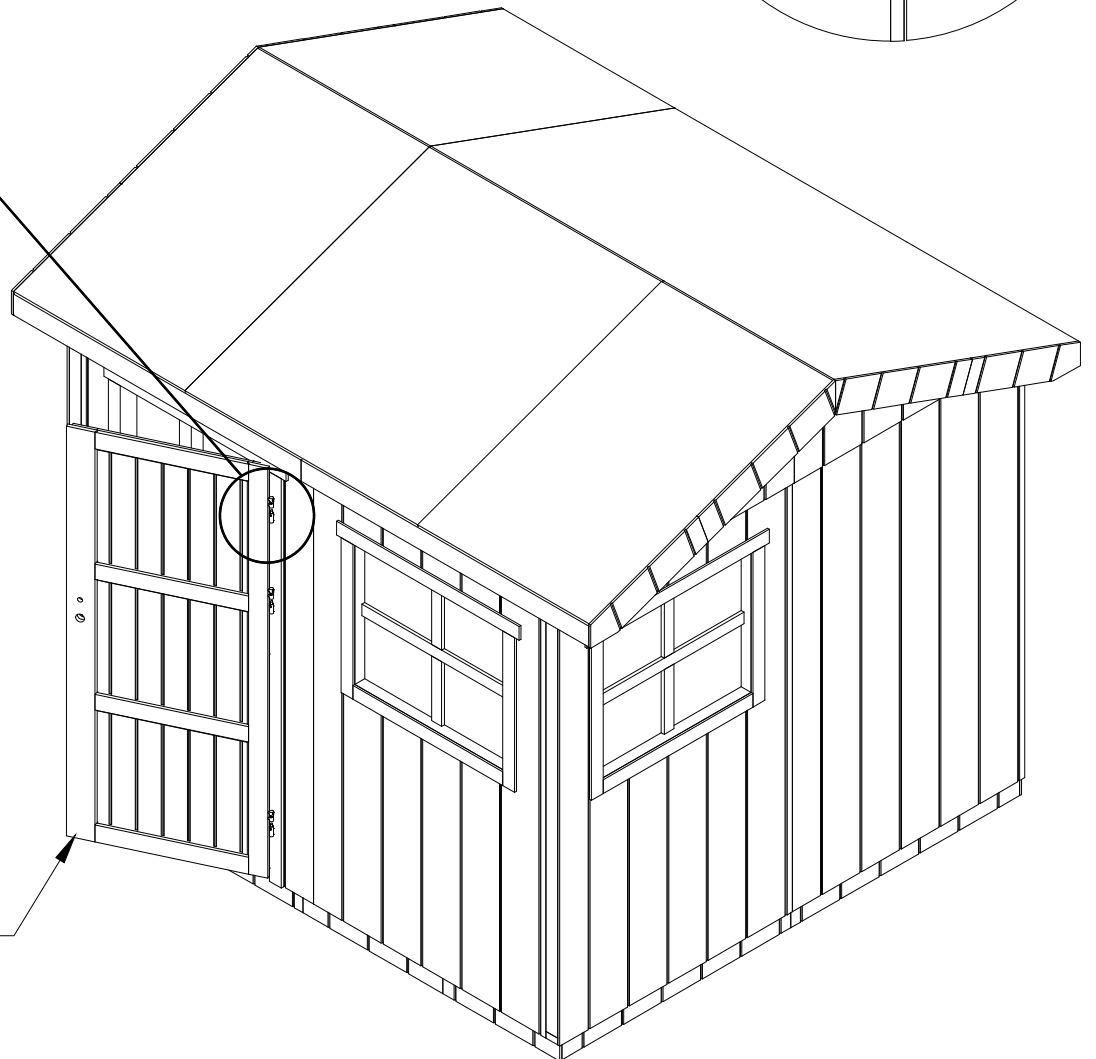
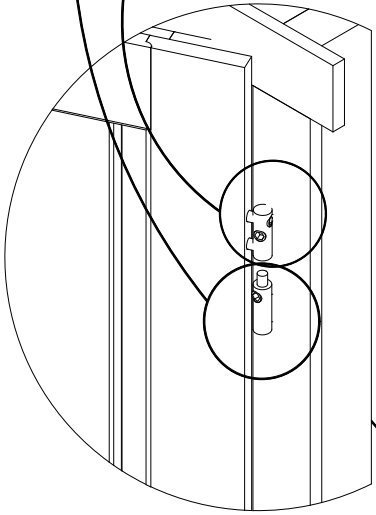
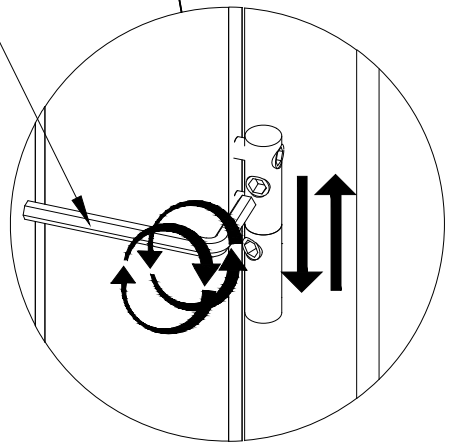
49

46

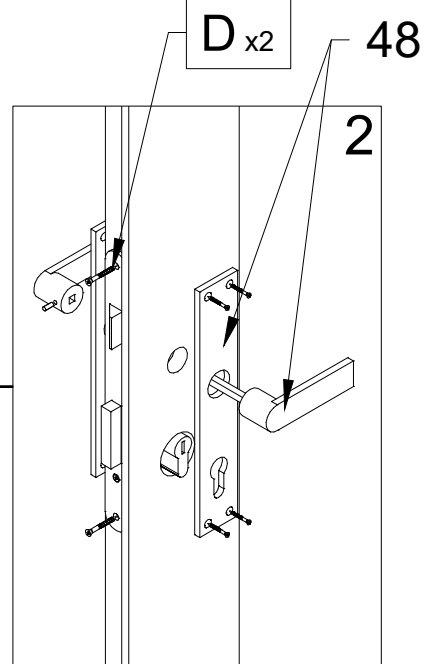
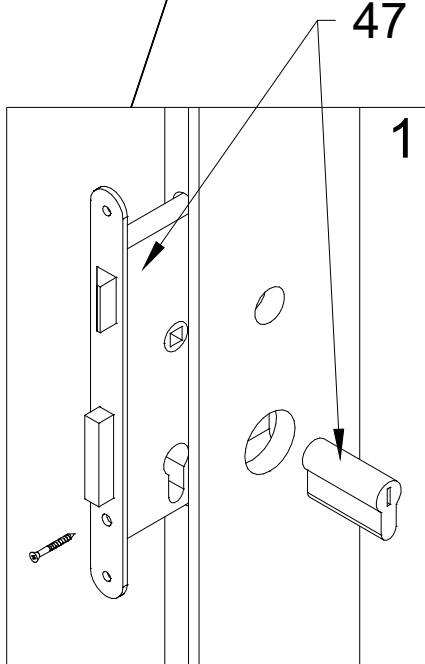
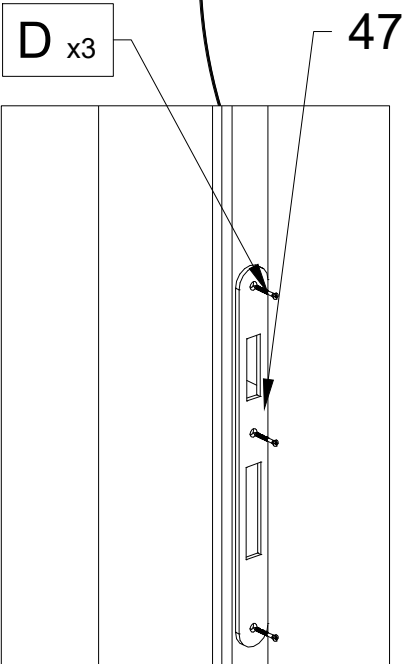
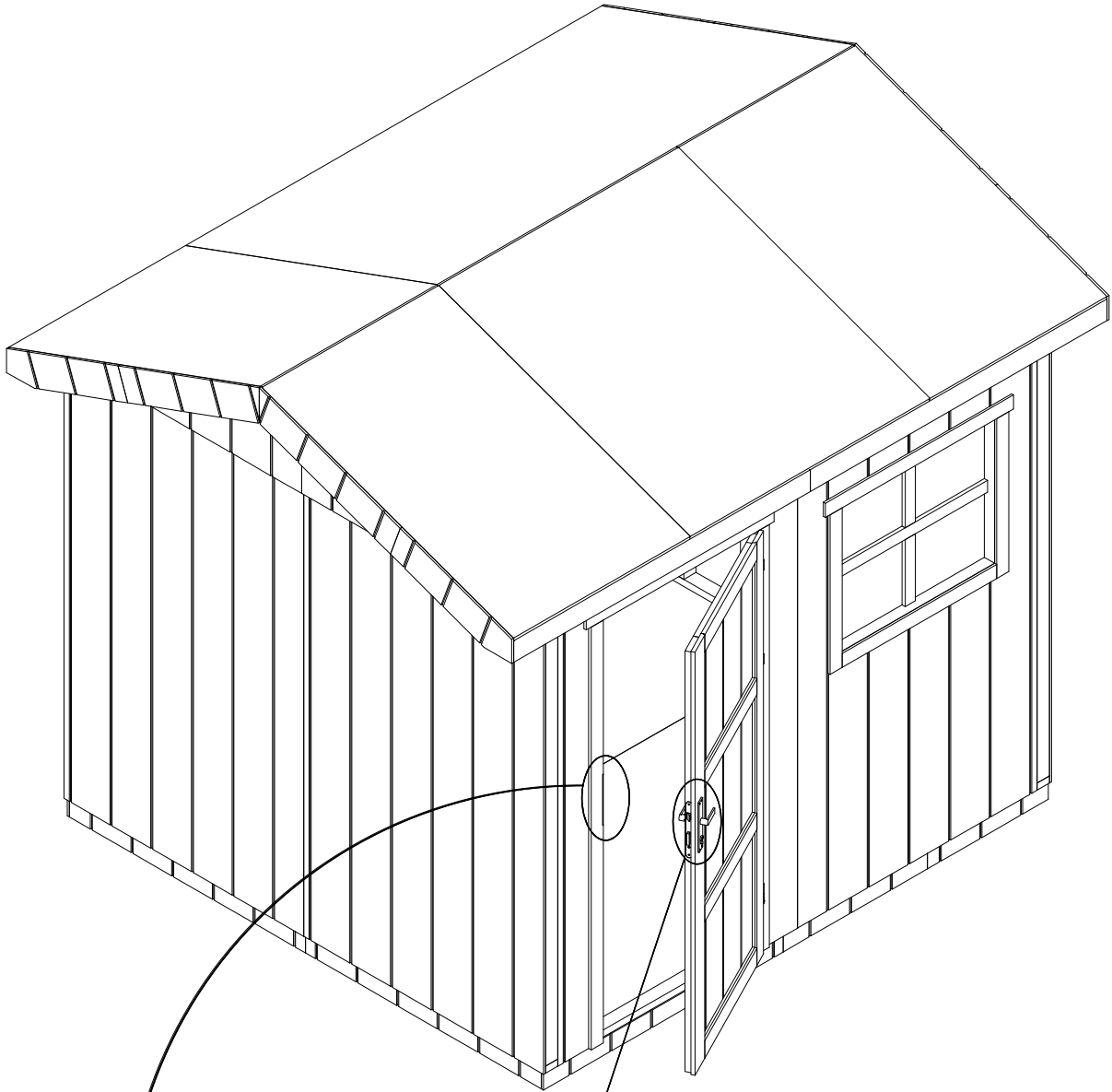


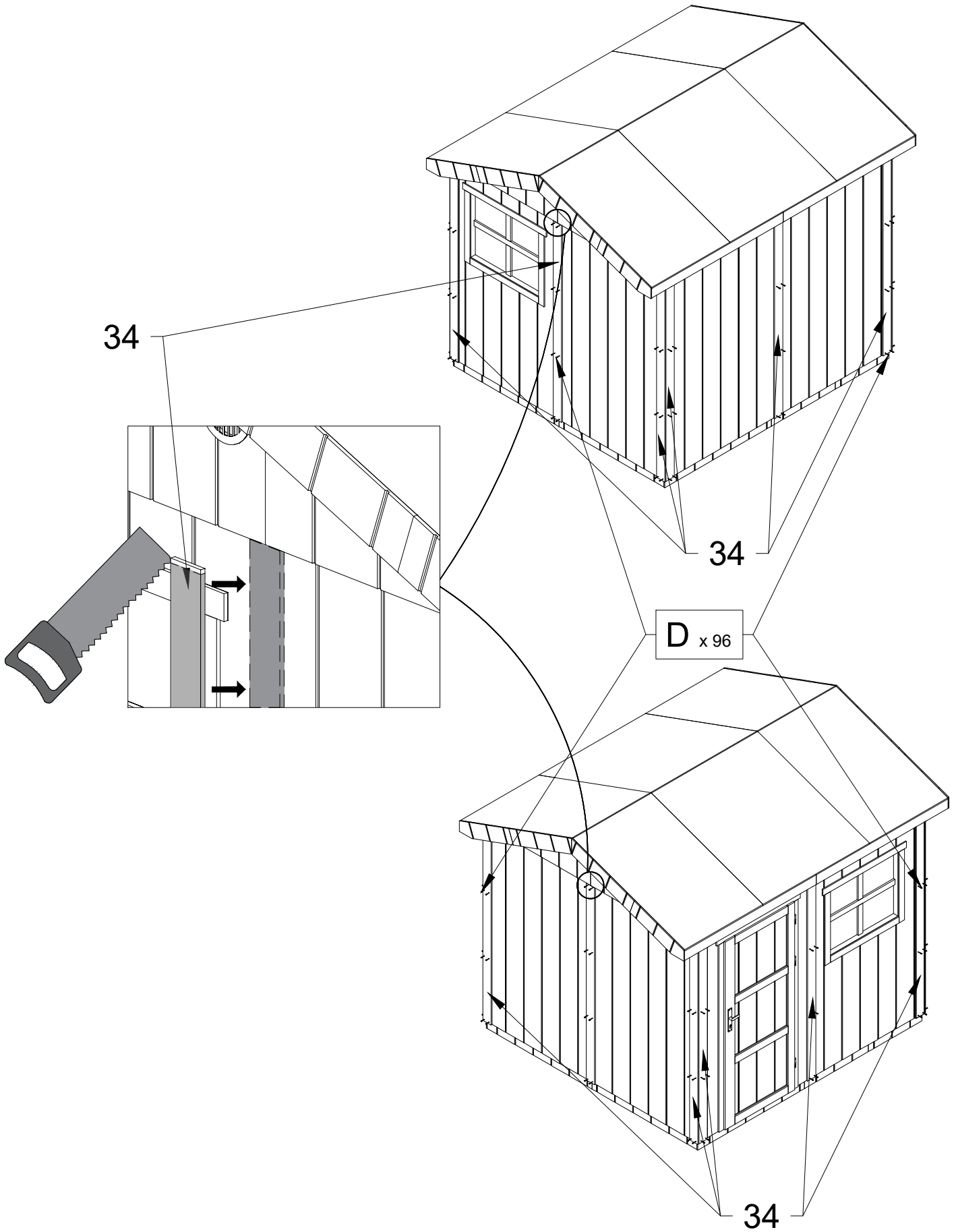
49

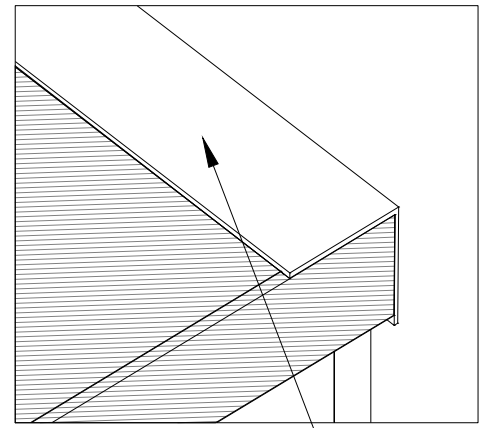
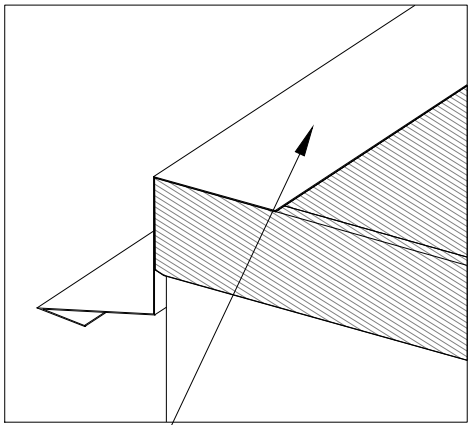
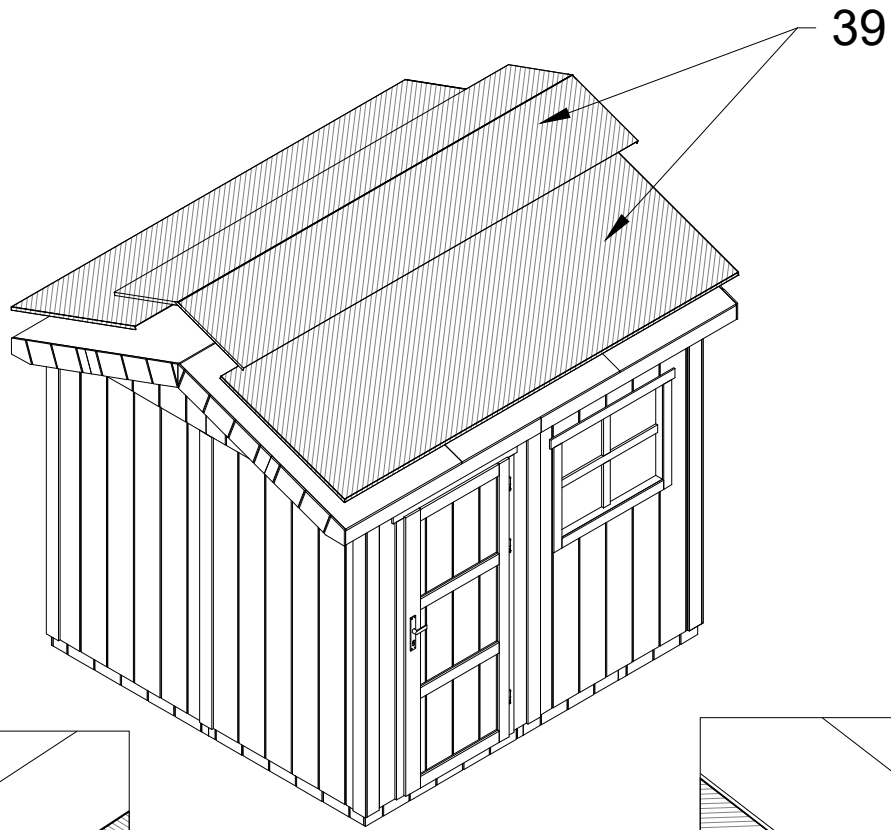
14-19mm



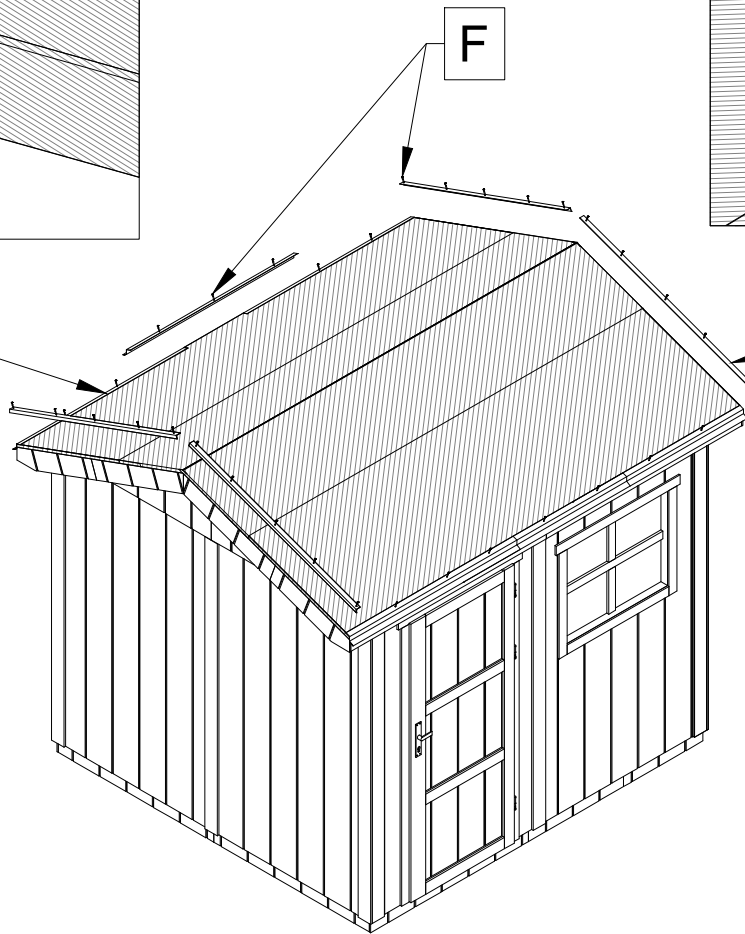
5

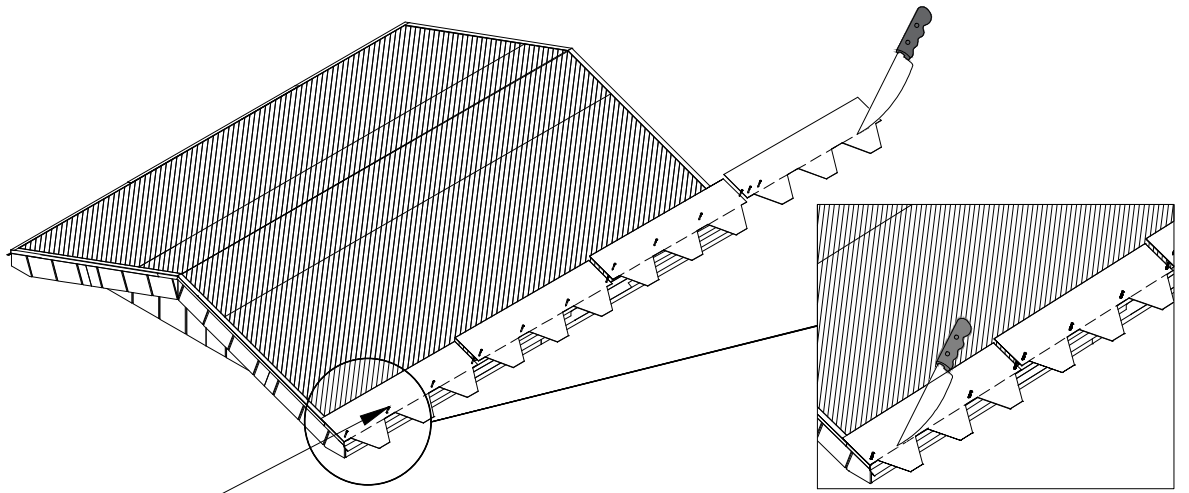




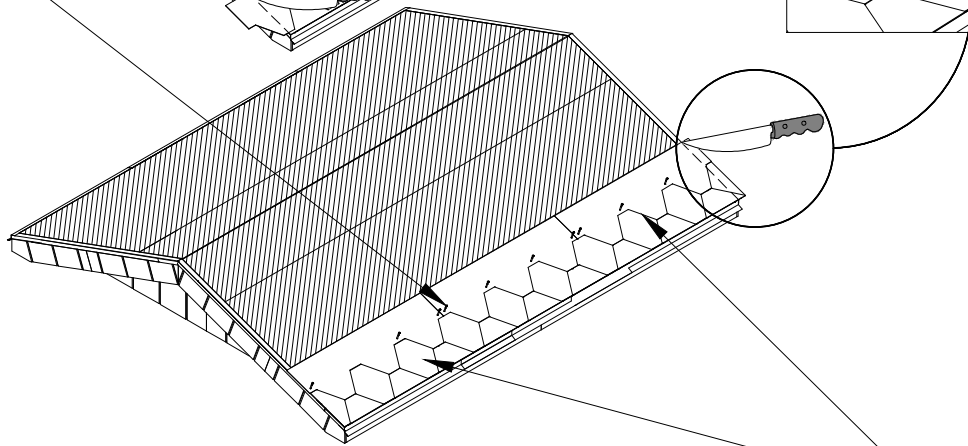
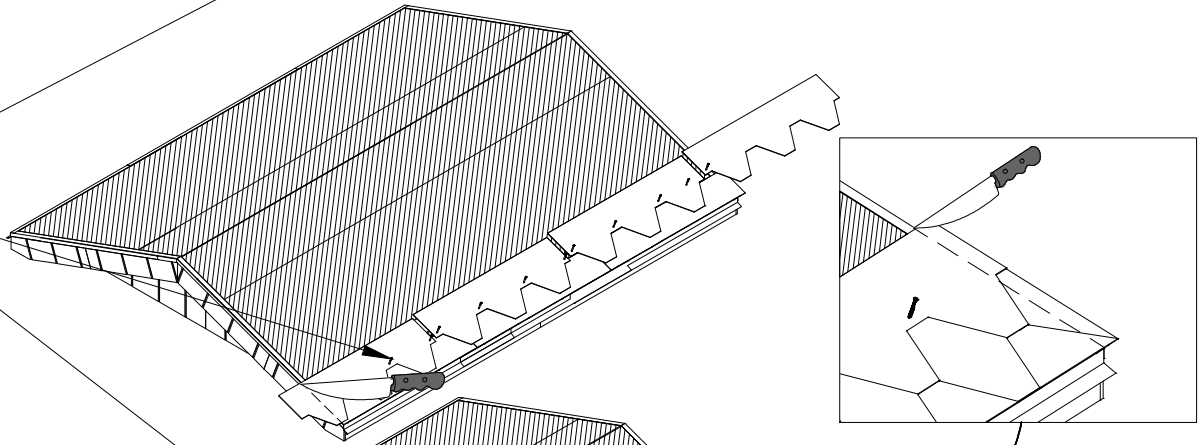


F

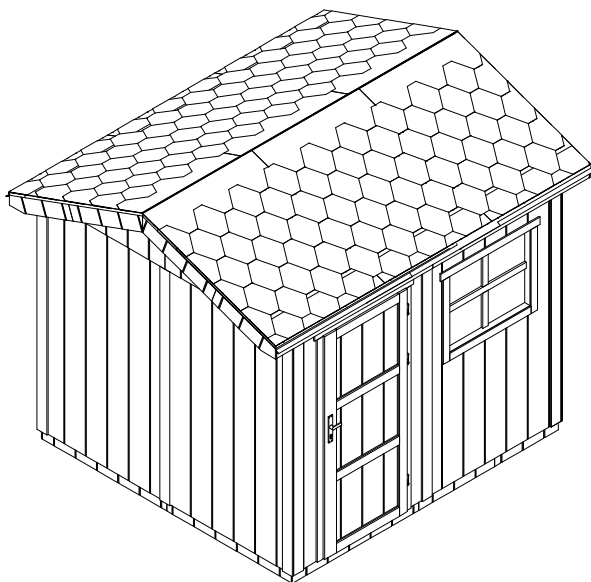


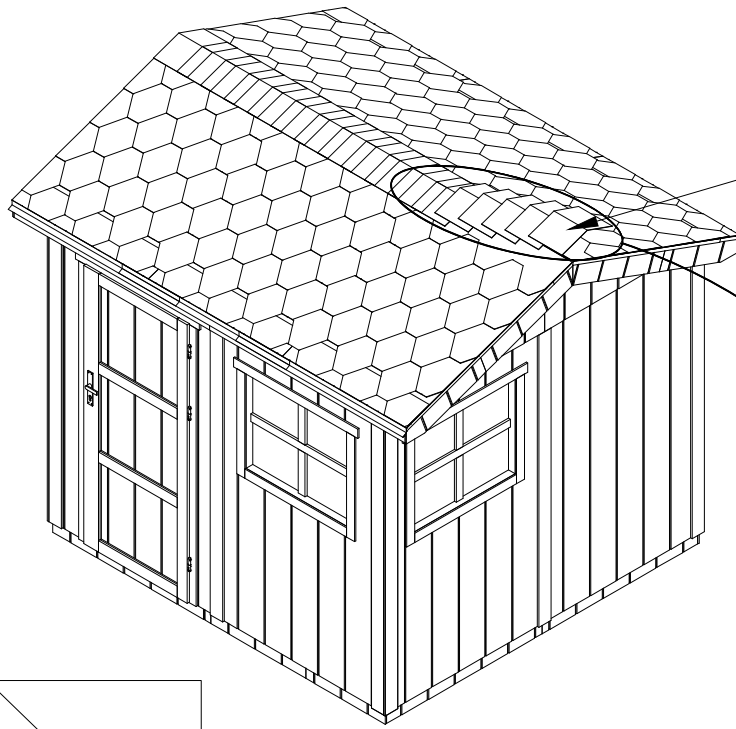


F

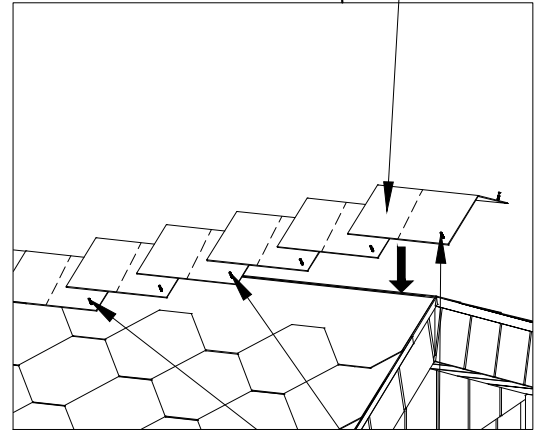
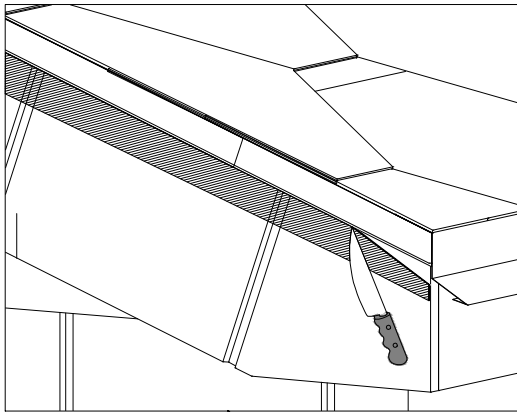


37





38



MAX  
120 kg/m<sup>2</sup>



F

