

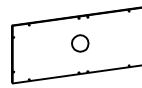
① x1



③ x2



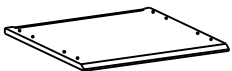
⑤ x1



⑦ x2



② x1



④ x4



⑥ x1

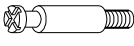




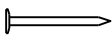












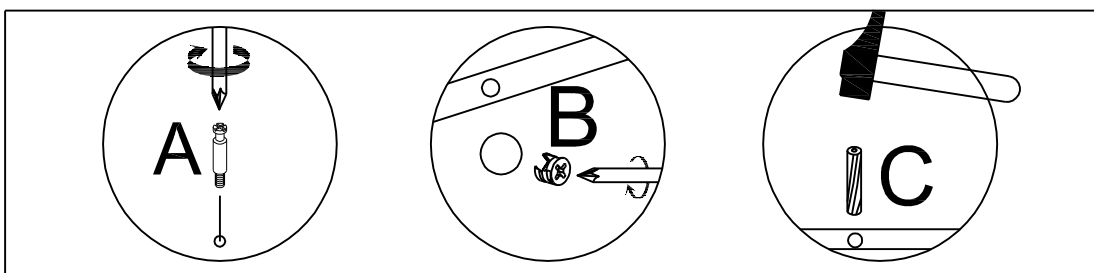
⑧ x1



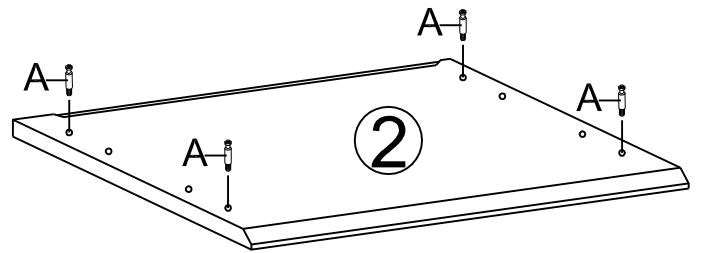
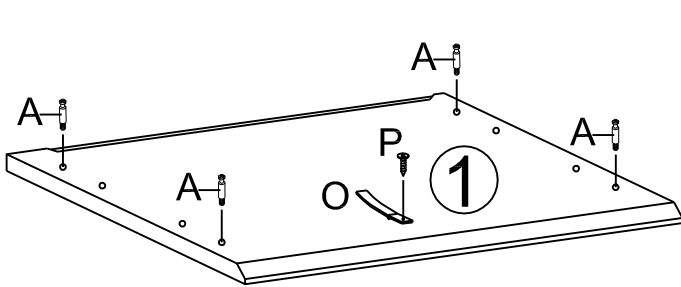
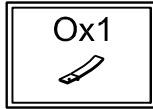
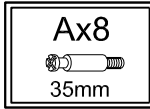
⑨ x1



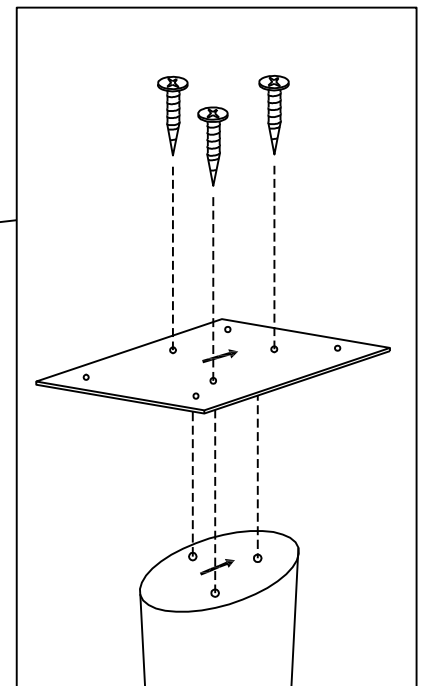
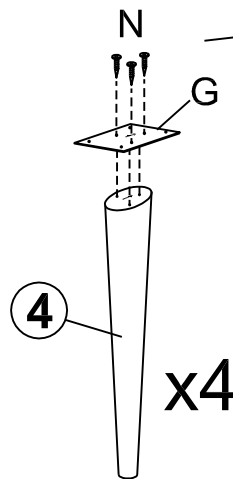
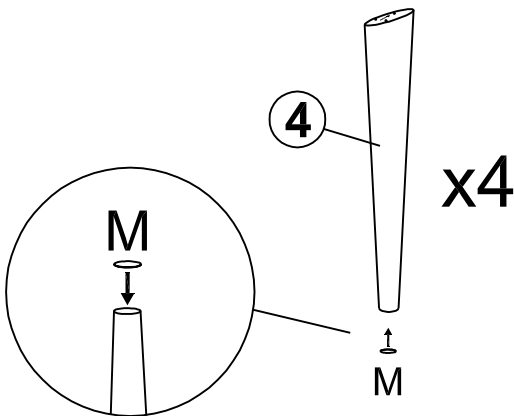
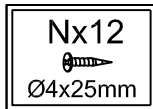
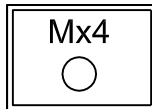
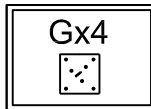
| Ax8  | Bx8   | Cx8  | Dx16   | Ex8  | Fx10   | Gx4   | Hx1  |
|--|---|--|--|--|--|---|--|
| <br>35mm   | <br>Ø15x10mm | <br>Ø6x30mm | <br>Ø4x10mm | <br>Ø3x25mm | <br>Ø1x16mm |  | <br>Ø3x16mm |
| Ix1  | Jx8   | Kx2  | Lx2  | Mx4  | Nx12   | Ox1   | Px1  |
| <br>170mm |              |             |             |             | <br>Ø4x25mm |  | <br>Ø3x10mm |



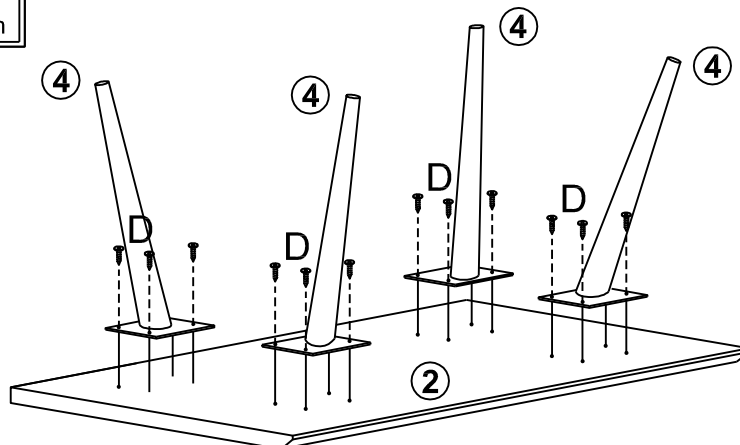
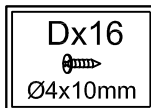
1



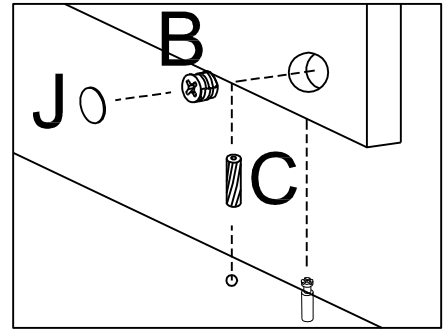
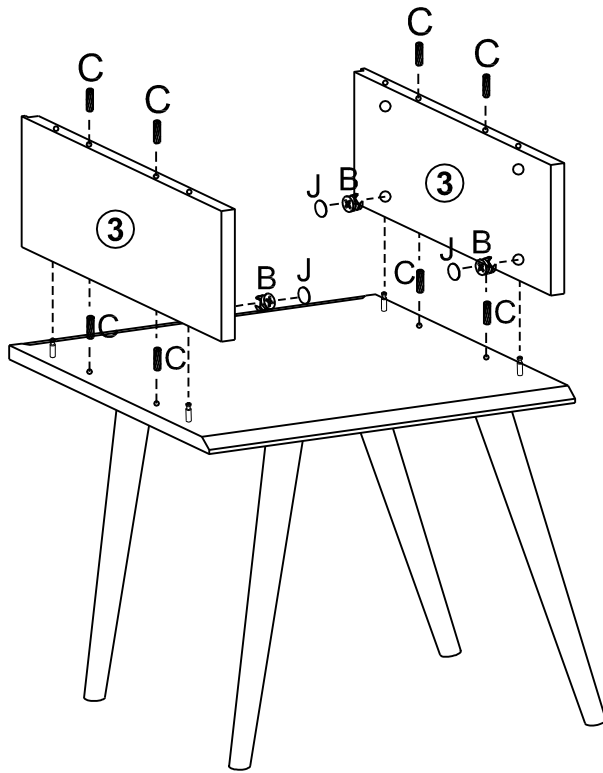
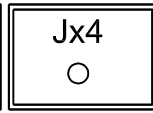
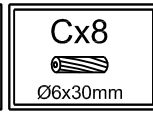
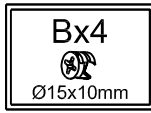
2



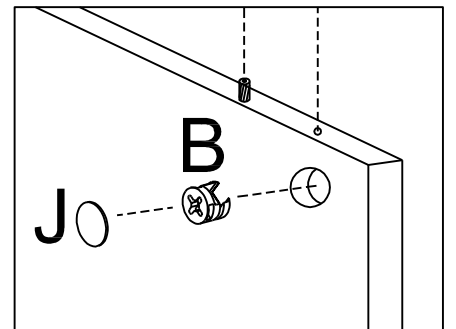
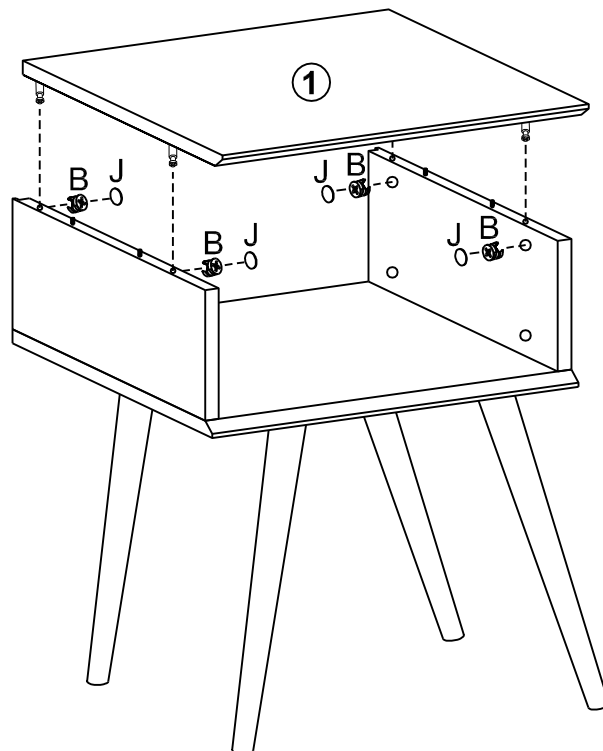
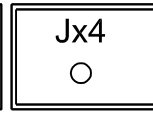
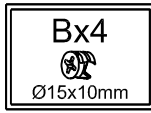
3



4

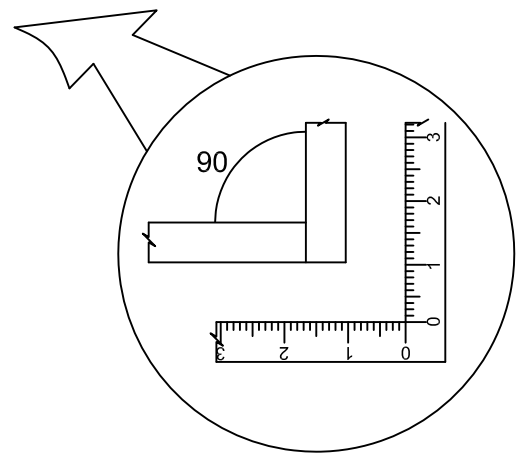
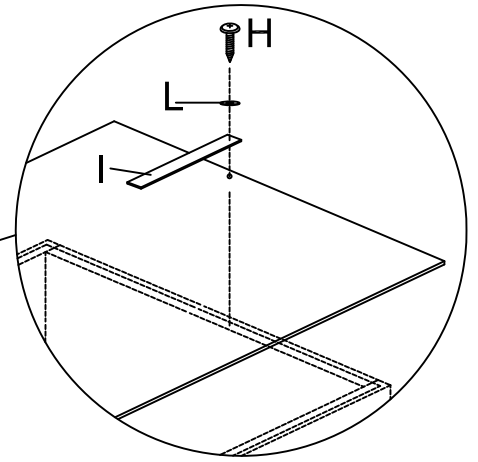
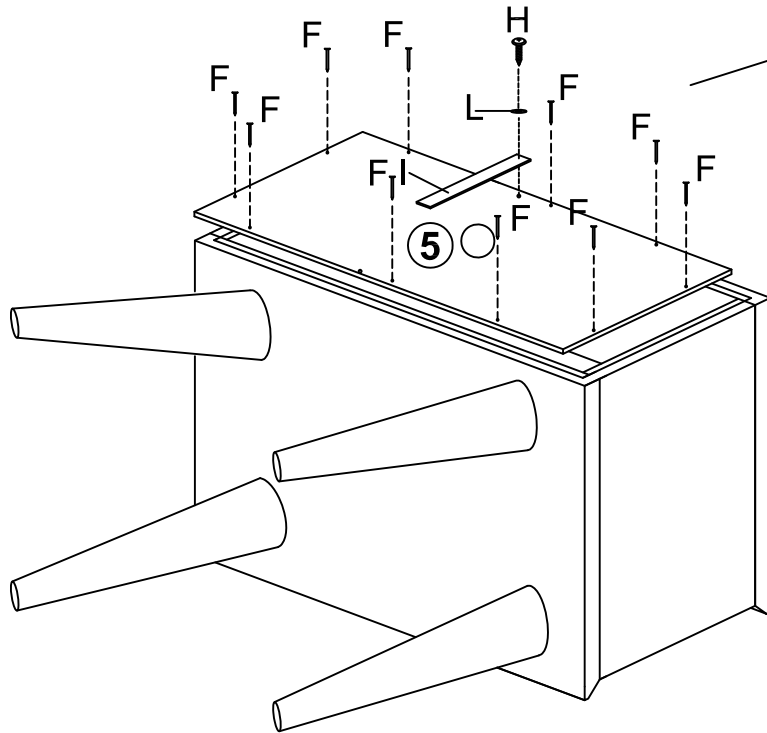


5



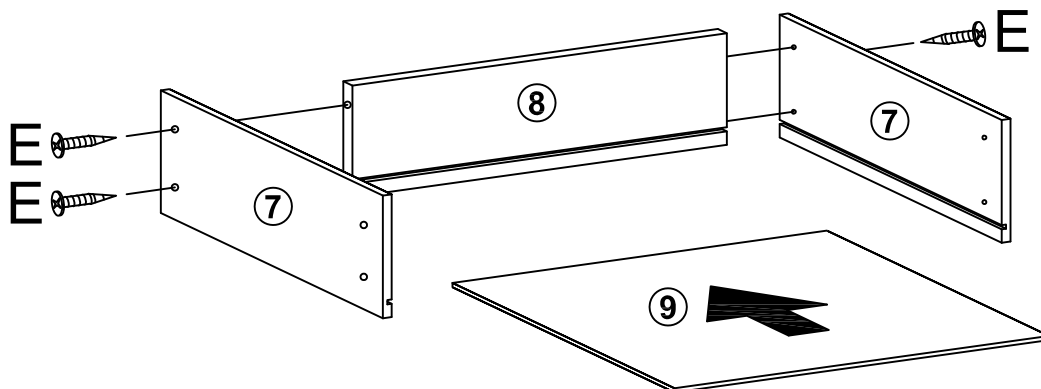
6

|                      |                     |                   |          |
|----------------------|---------------------|-------------------|----------|
| Fx10<br>⇐<br>Ø1x16mm | Hx1<br>●<br>Ø3x16mm | Lx1<br>⌒<br>170mm | Lx1<br>● |
|----------------------|---------------------|-------------------|----------|

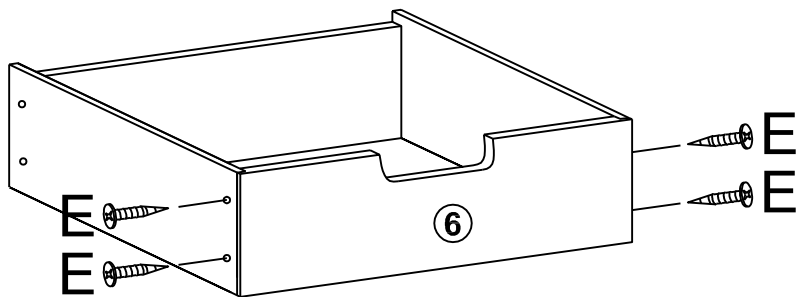
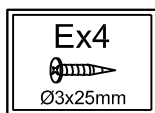


7

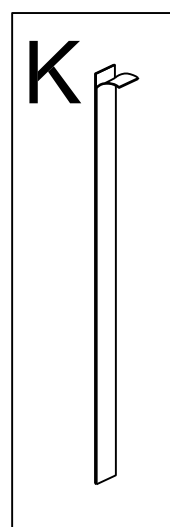
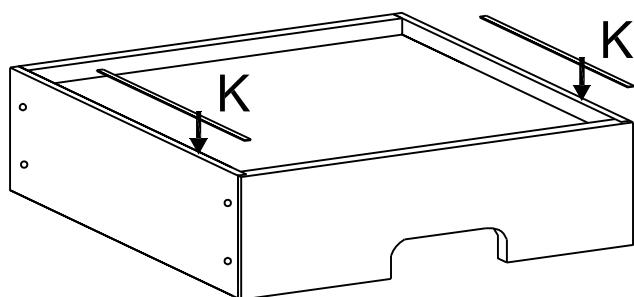
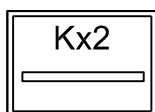
|                     |
|---------------------|
| Ex4<br>●<br>Ø3x25mm |
|---------------------|



8



9



10

