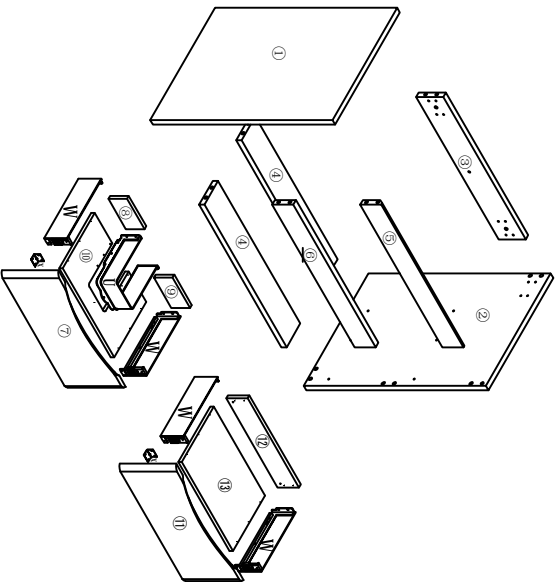
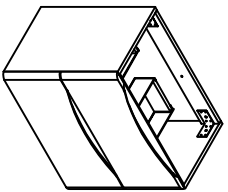
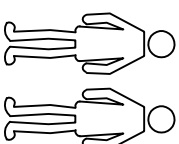
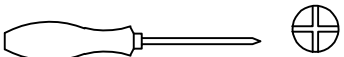
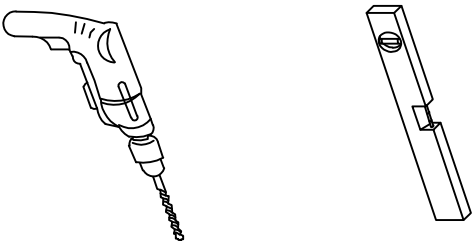


YS-XS1-C902



| Order | (L*W) MM |
|-------|-------------|
| ① | 520*445=1 |
| ② | 520*445=1 |
| ③ | 960*78=1 |
| ④ | 960*78=2 |
| ⑤ | 960*60=1 |
| ⑥ | 960*60=1 |
| ⑦ | 990*297=1 |
| ⑧ | 400*84=1 |
| ⑨ | 400*84=1 |
| ⑩ | 940*283,5=1 |
| ⑪ | 990*297=1 |
| ⑫ | 940*84=1 |
| ⑬ | 940*283,5=1 |

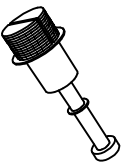


A



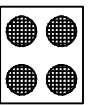
∅15*13mm
=18

V



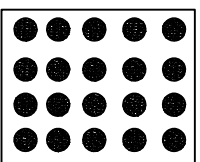
∅8*40mm
=18

P



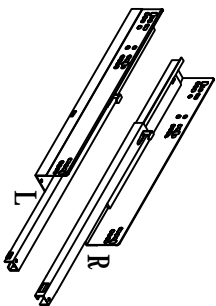
∅18*4mm
=4

F



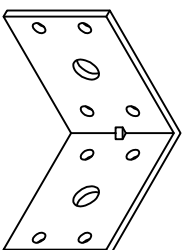
∅20*0.3mm=18

YG-A004



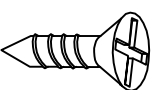
300*40*40mm
=2

H-H



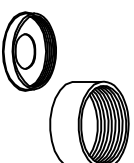
67*67*40mm
=2

I



4*14mm
=83

J



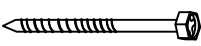
∅20*8mm
=3

K



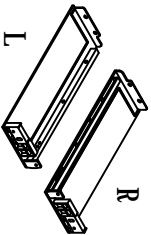
∅10*43mm
=3

L



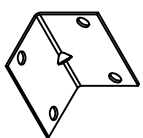
∅6*70mm
=3

W



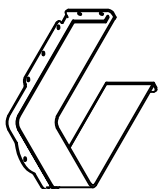
35*300*107mm
=2

X



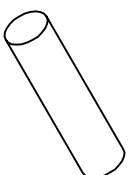
25*25*31mm
=2

U



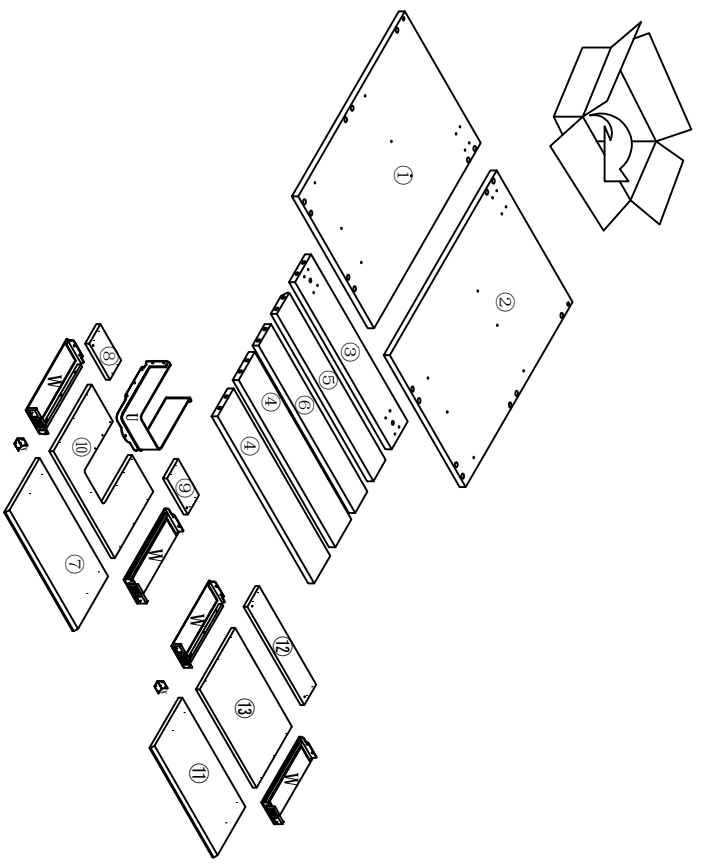
170*240*87mm
=1

C

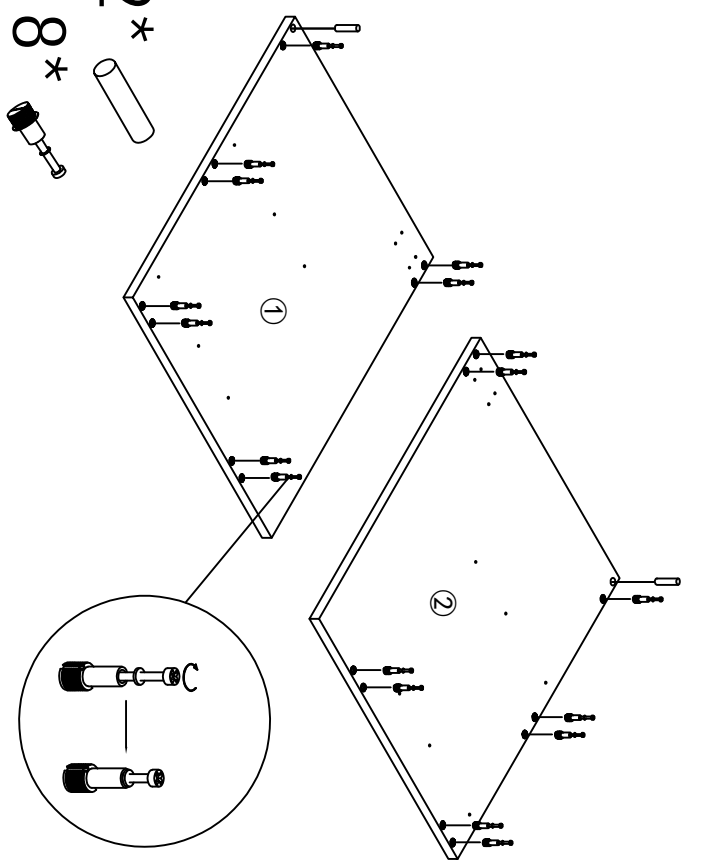


∅8*40mm
=2

1

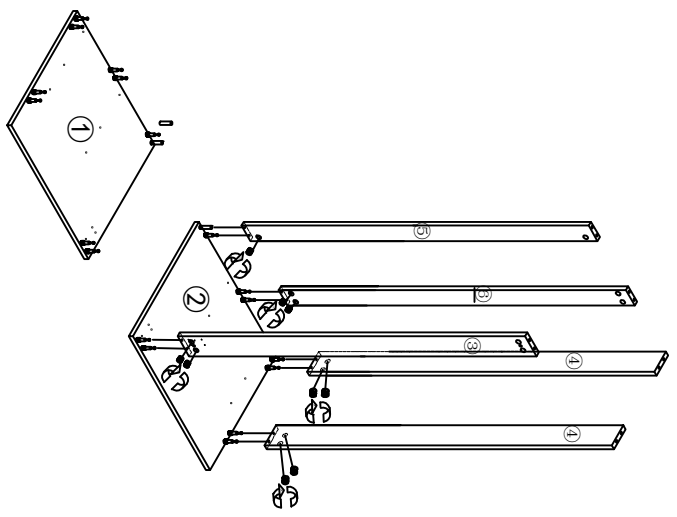


2

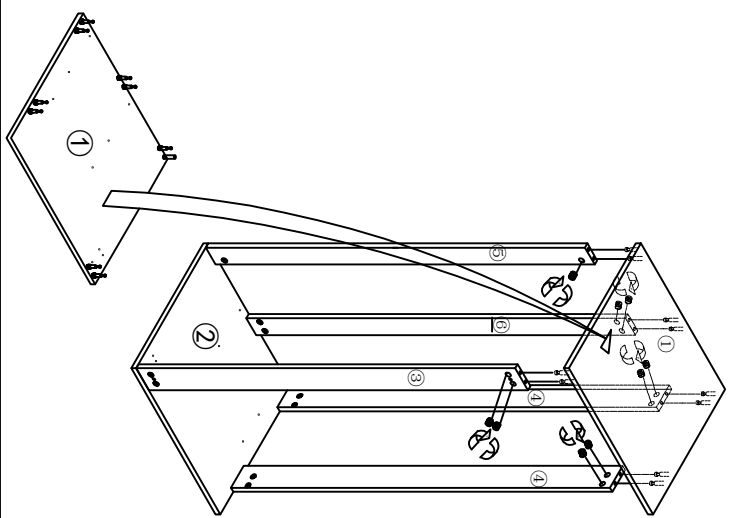


$C=2^*$
 $V=18^*$

3



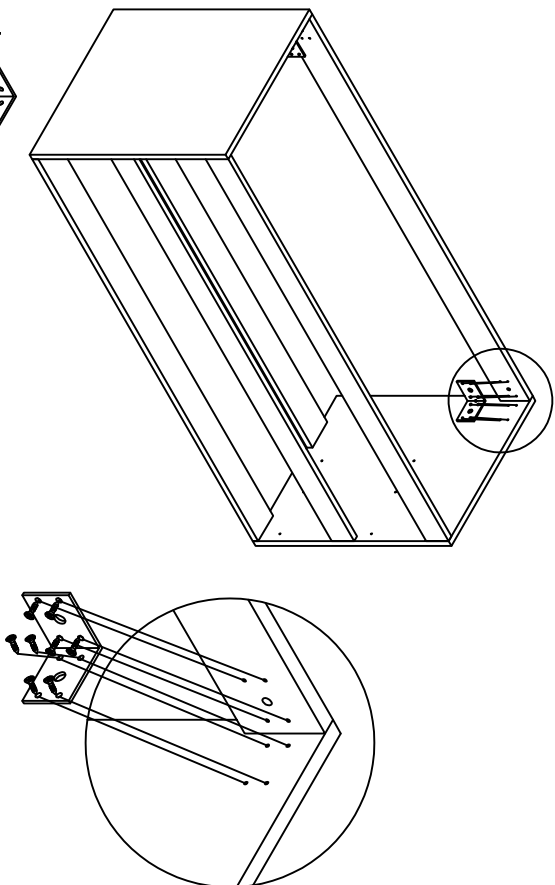
4




$A=9^*$

$A=9^*$

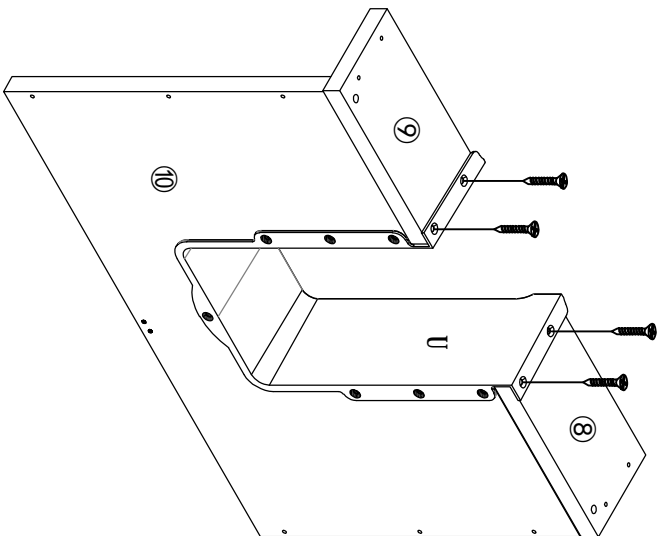
5




H-H=2*
I=16*

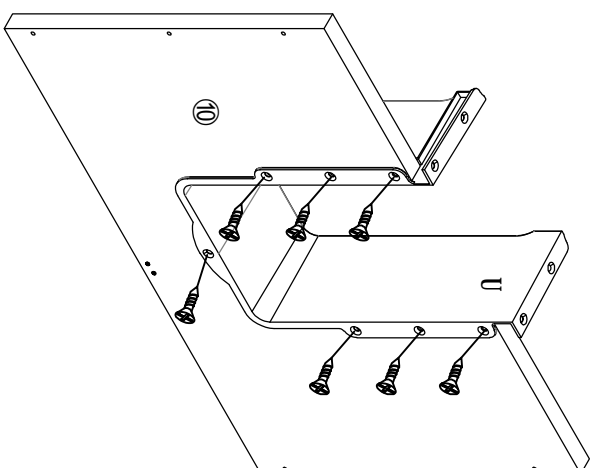


7



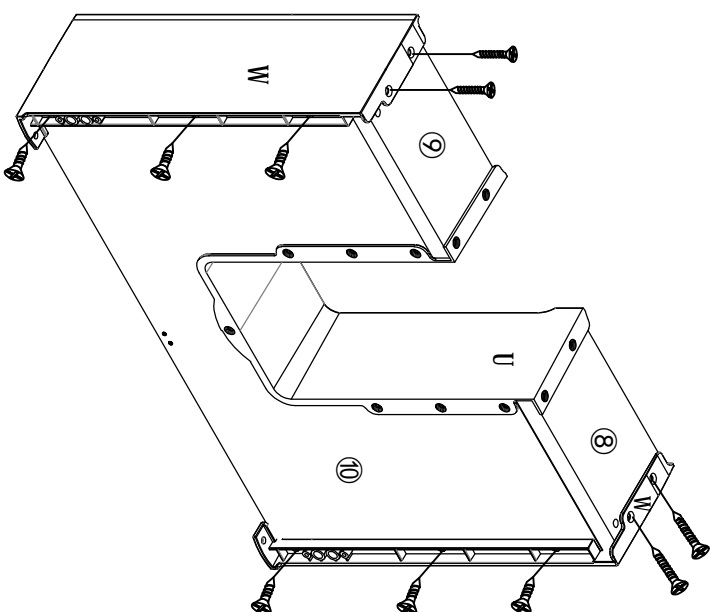
I=4*


6



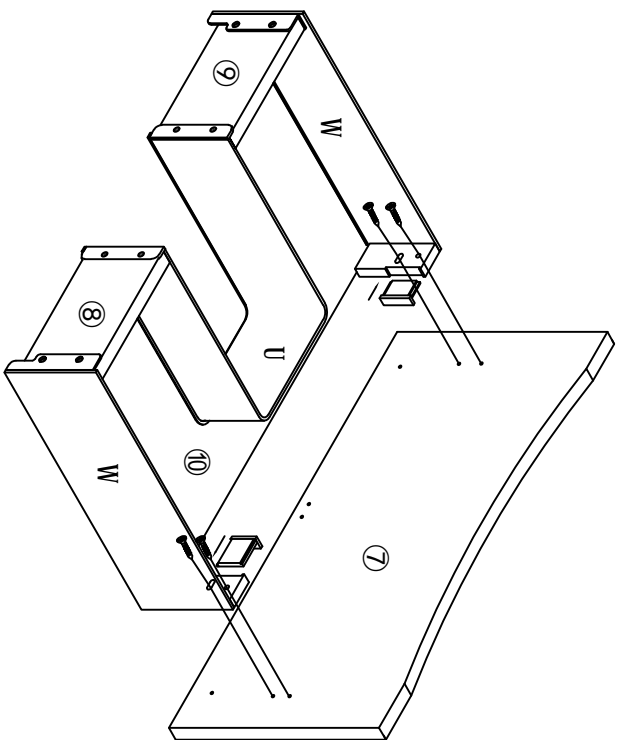
I=7*


8



I=10*

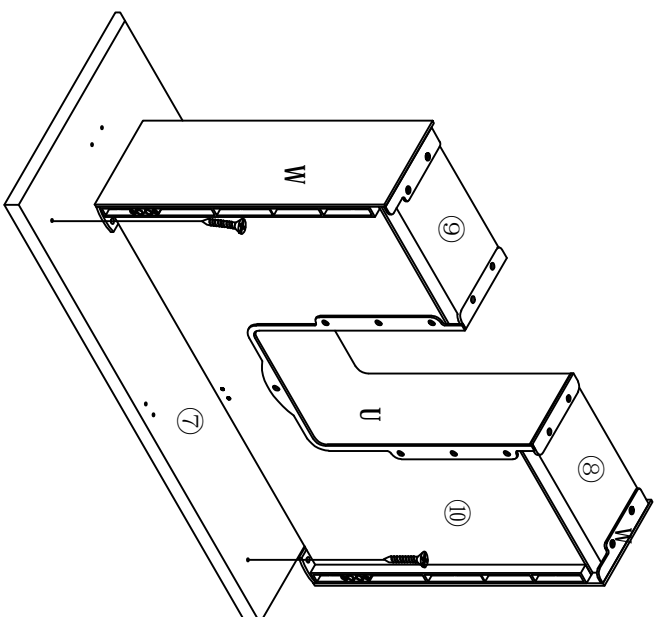

9



I = 4 *



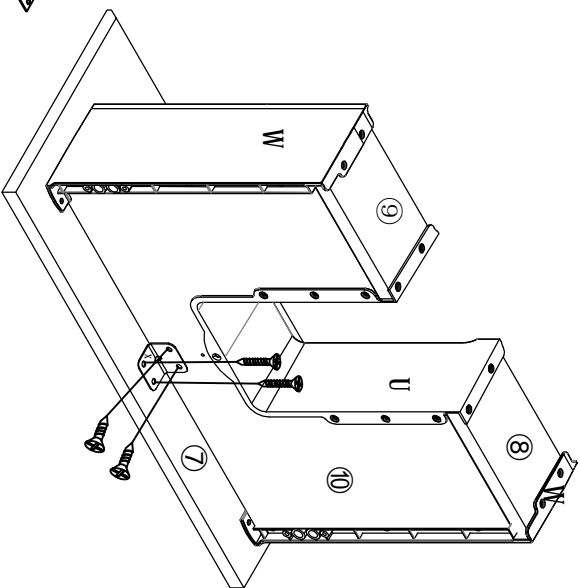
10



I = 2 *



11

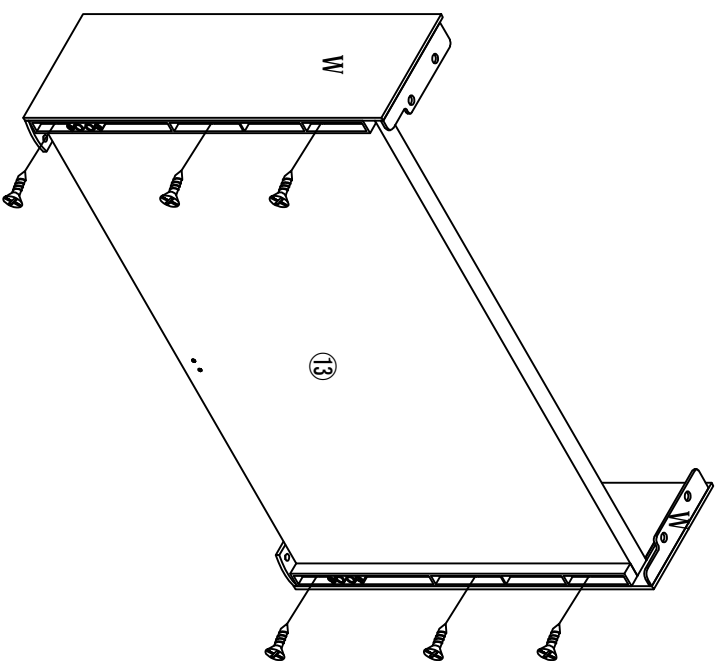


X = 1 *

I = 4 *



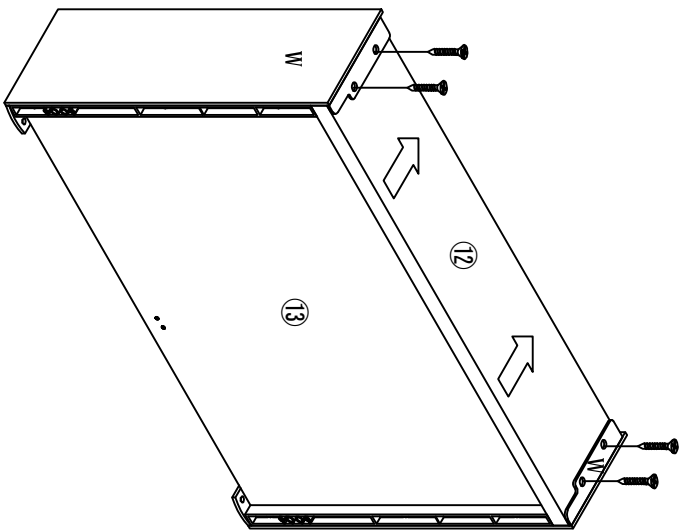
12



I = 6 *



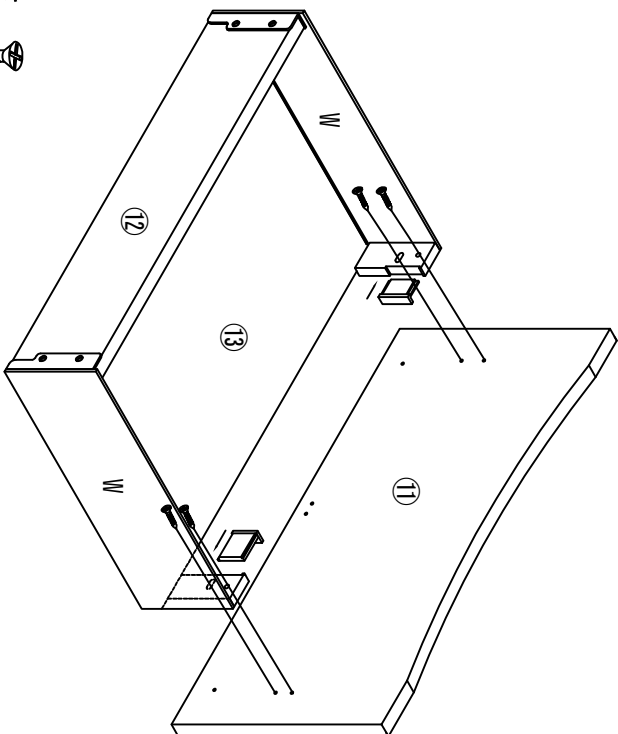
13



I = 4 *



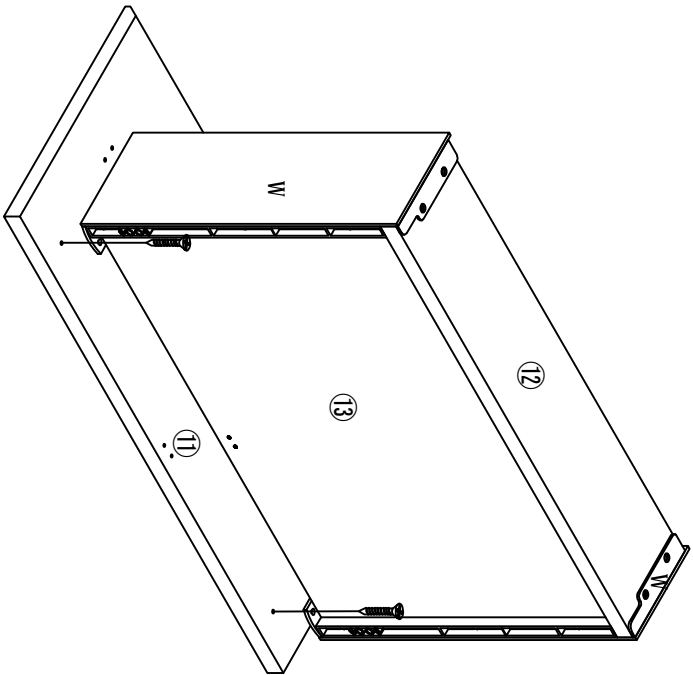
14



I = 4 *



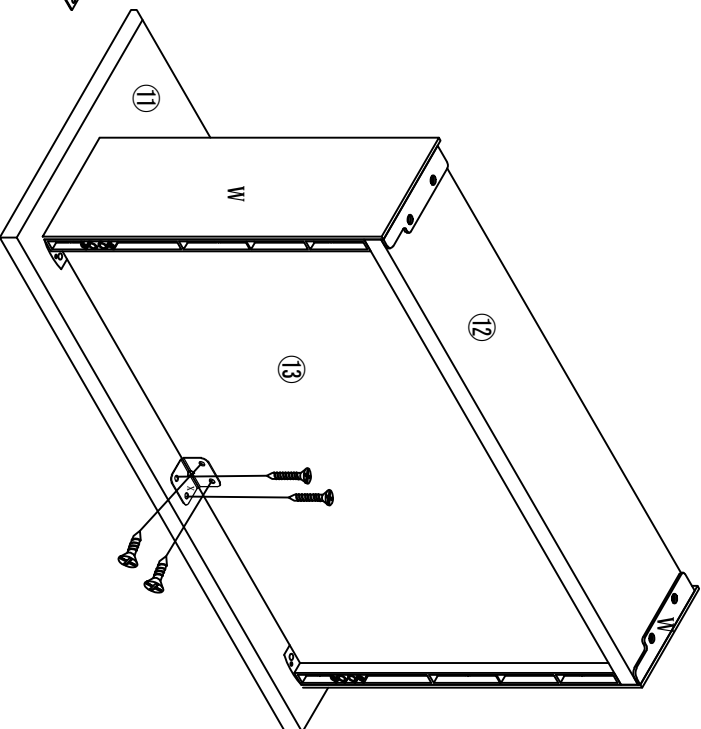
15



I = 2 *



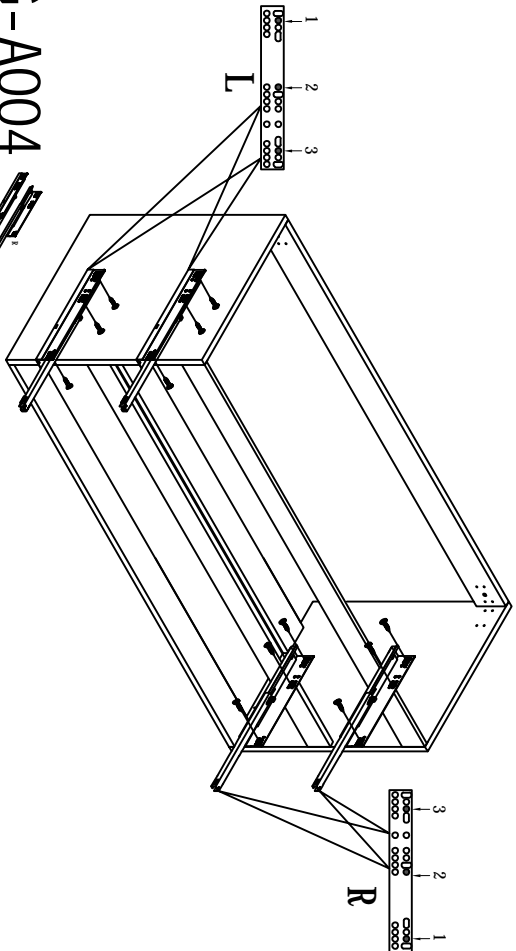
16



X = 1 *
I = 4 *



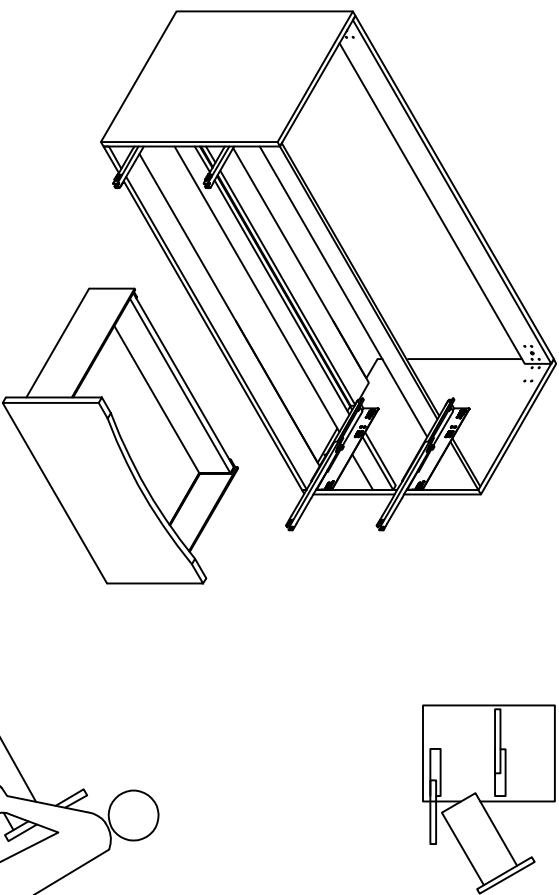
17



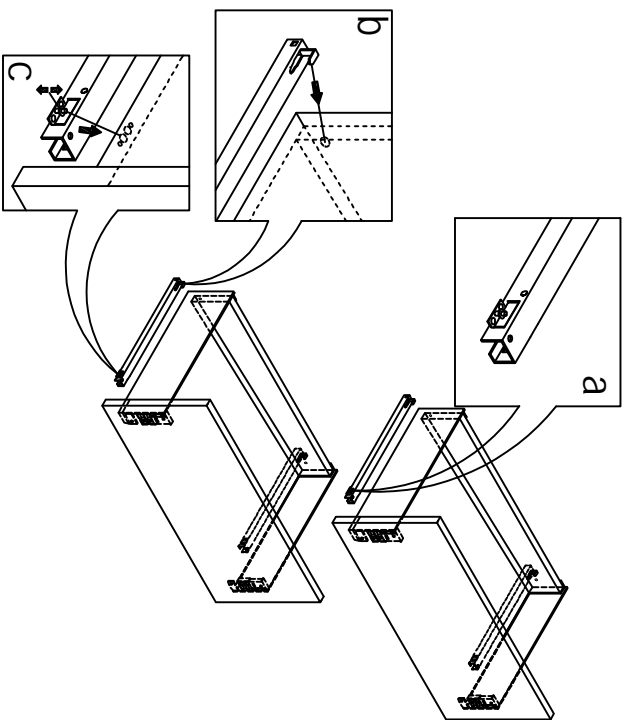
YG-A004

L=12*
I=12*

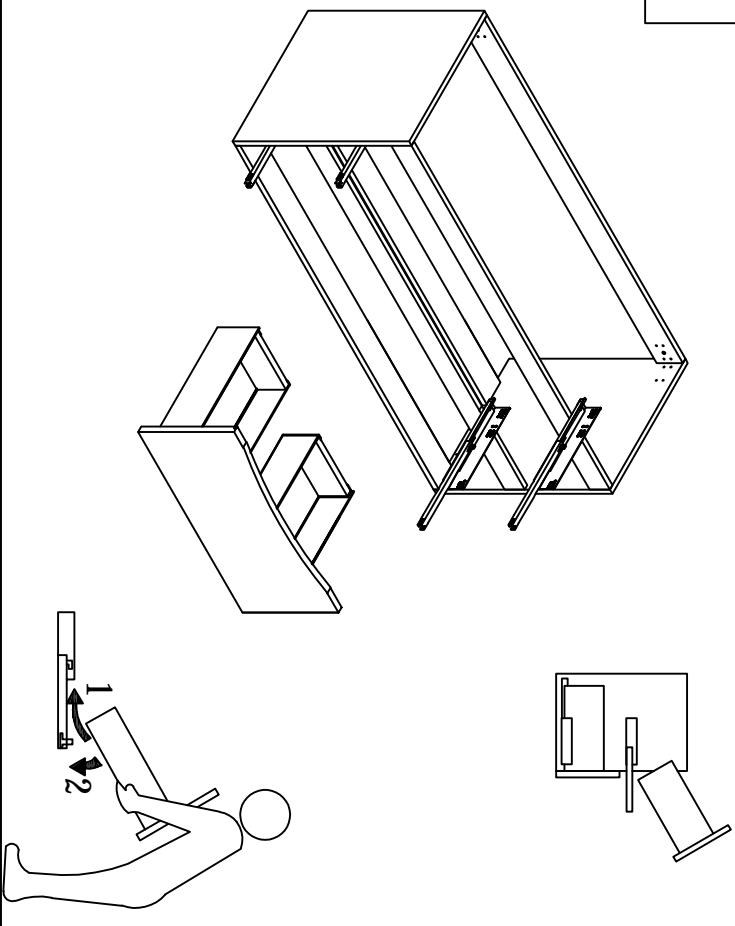
18



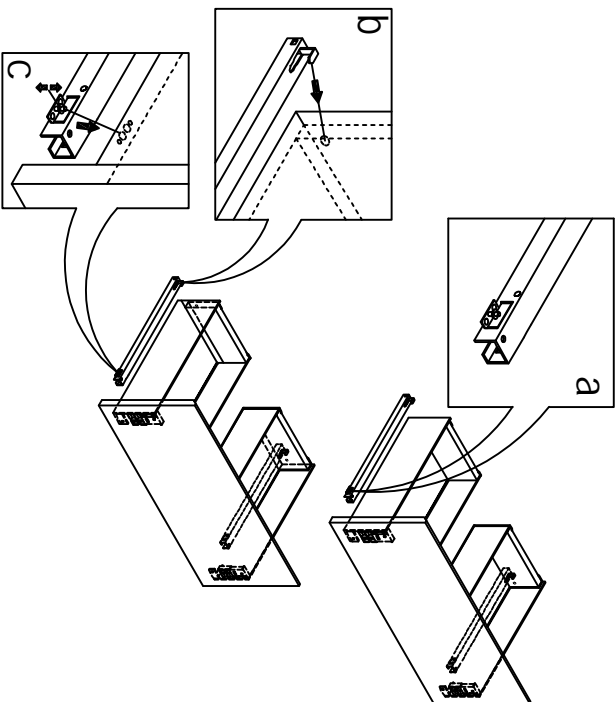
19



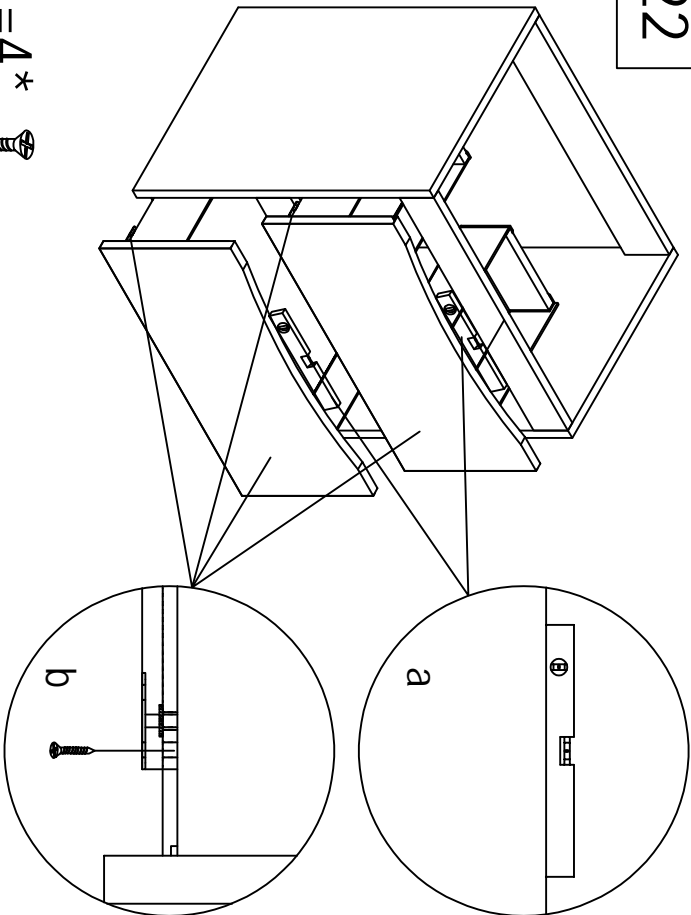
20



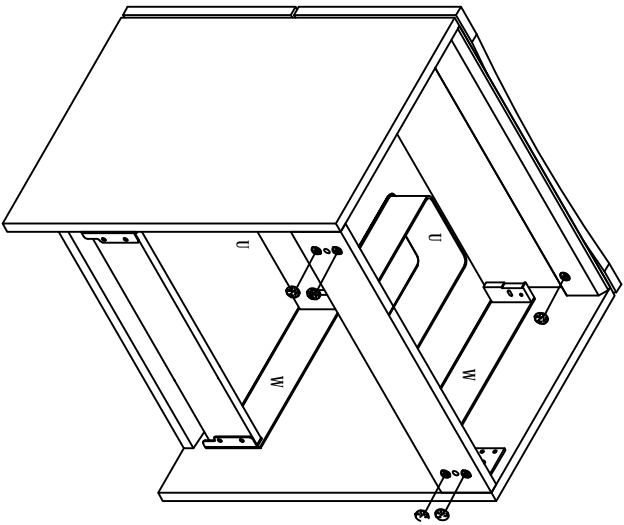
21



22

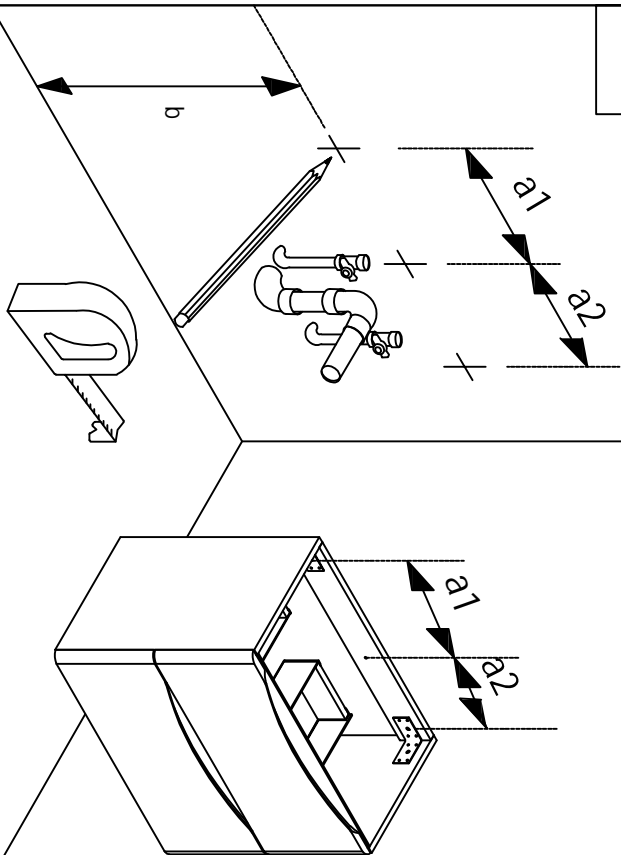


23

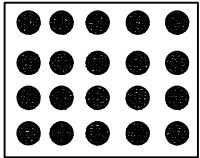


l = 4 * 

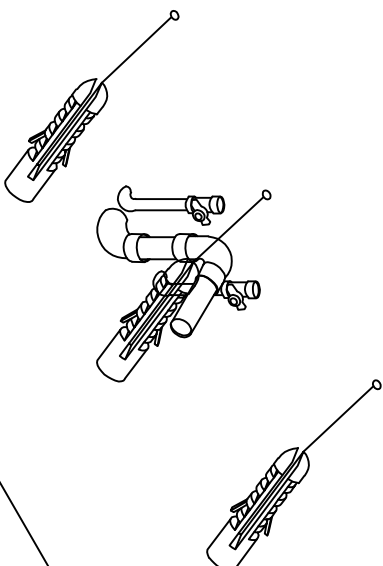
24



F = 18



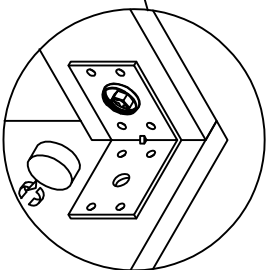
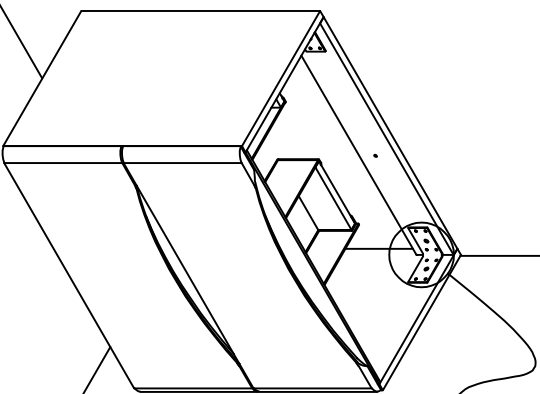
25



K=3*



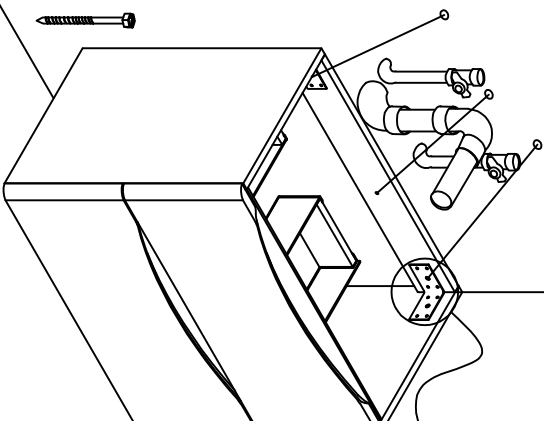
27



J=3*



26



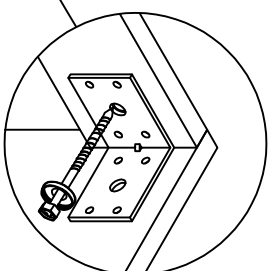
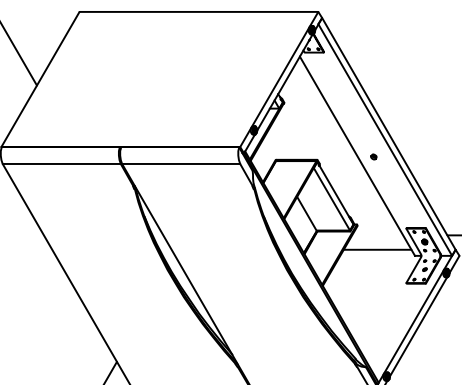
L=3*



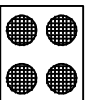
J=3*



28



P=4



OK!