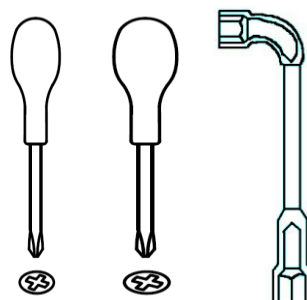
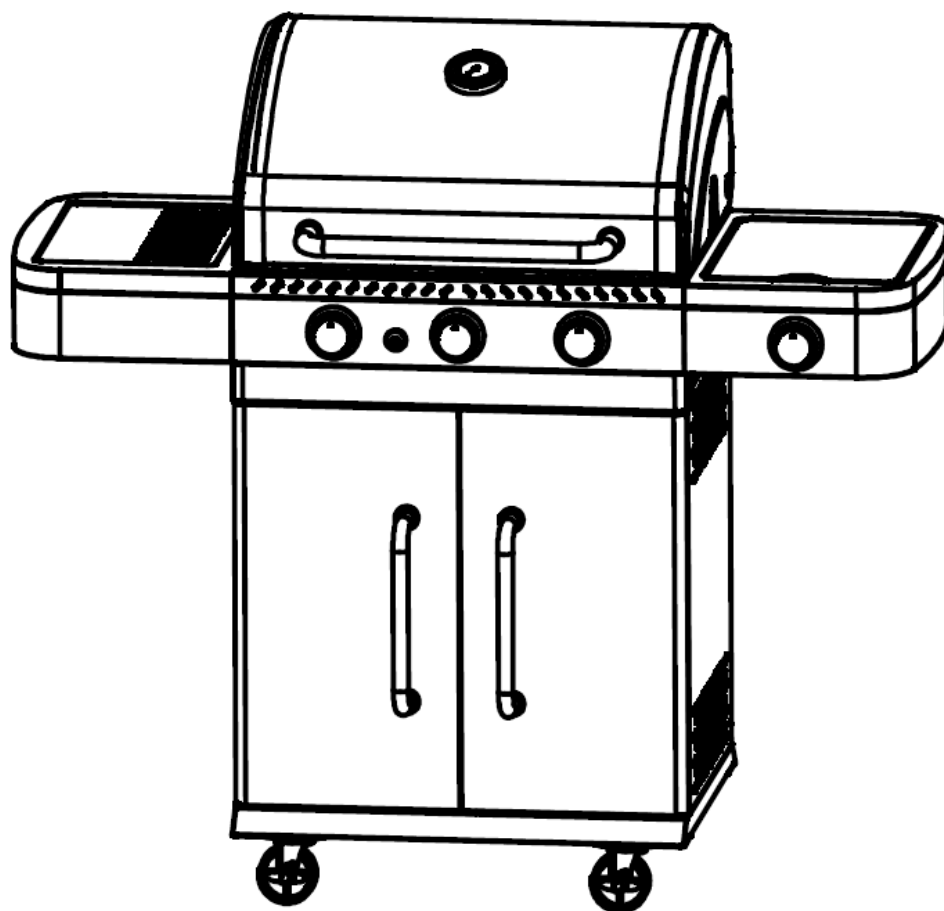
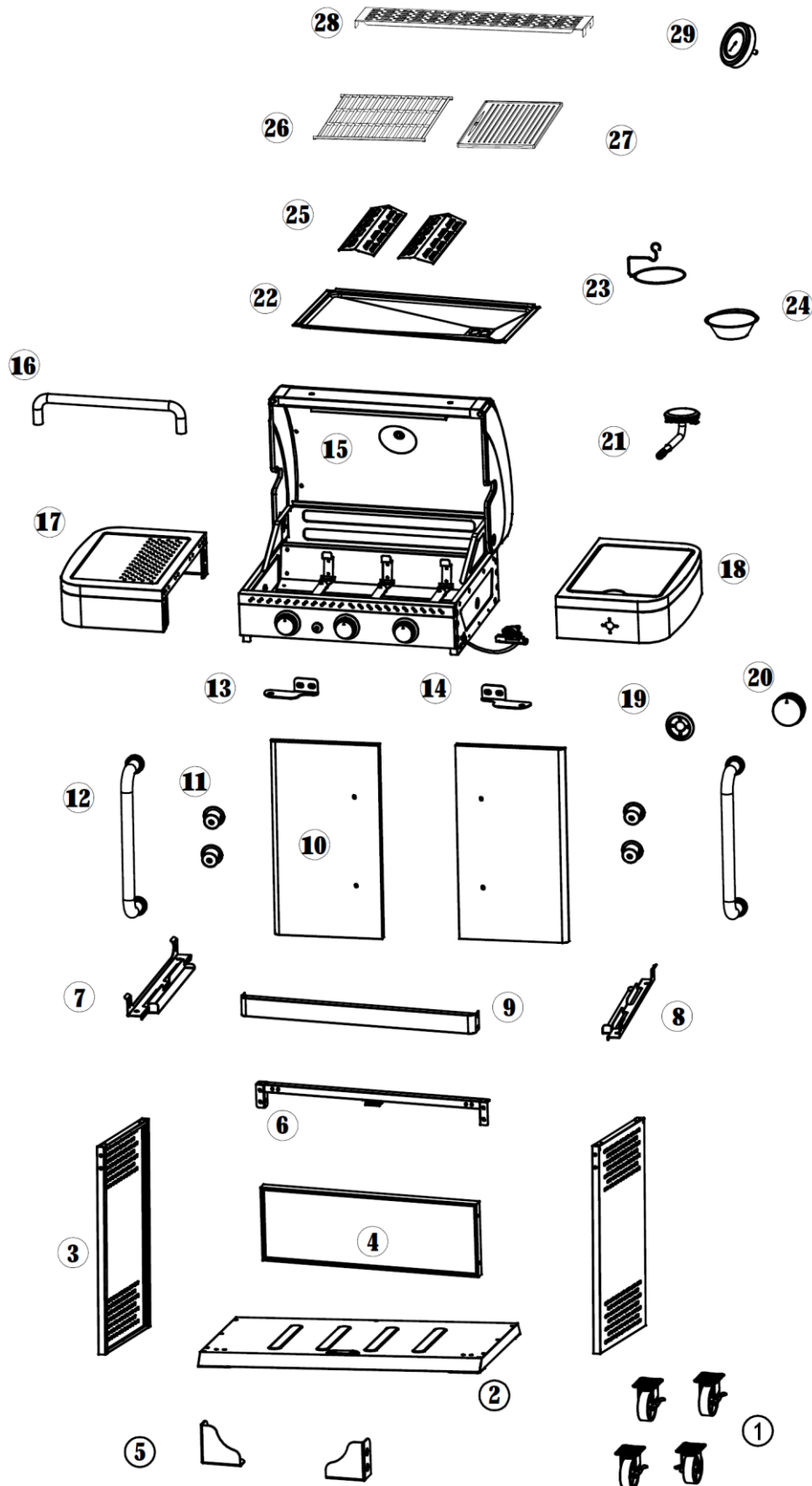


FIDGI 3




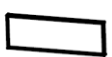



























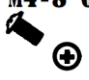










90min

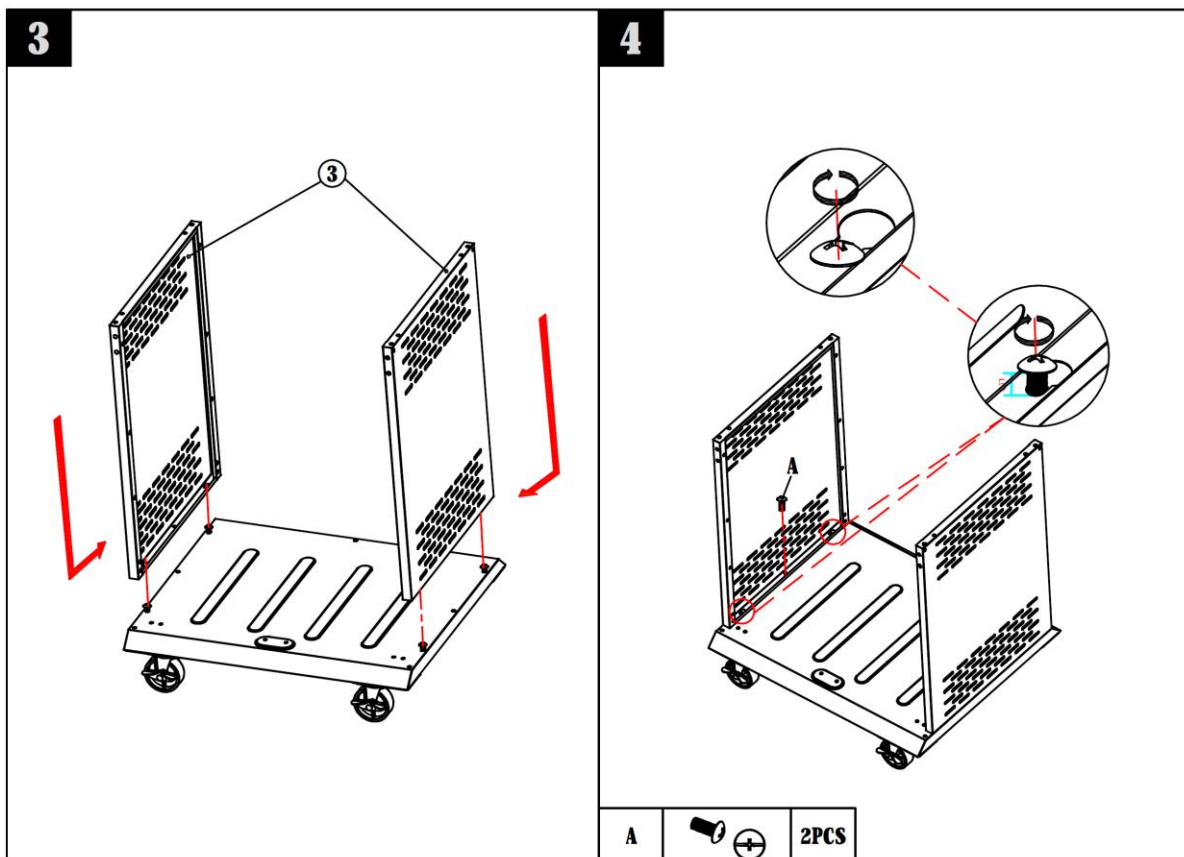
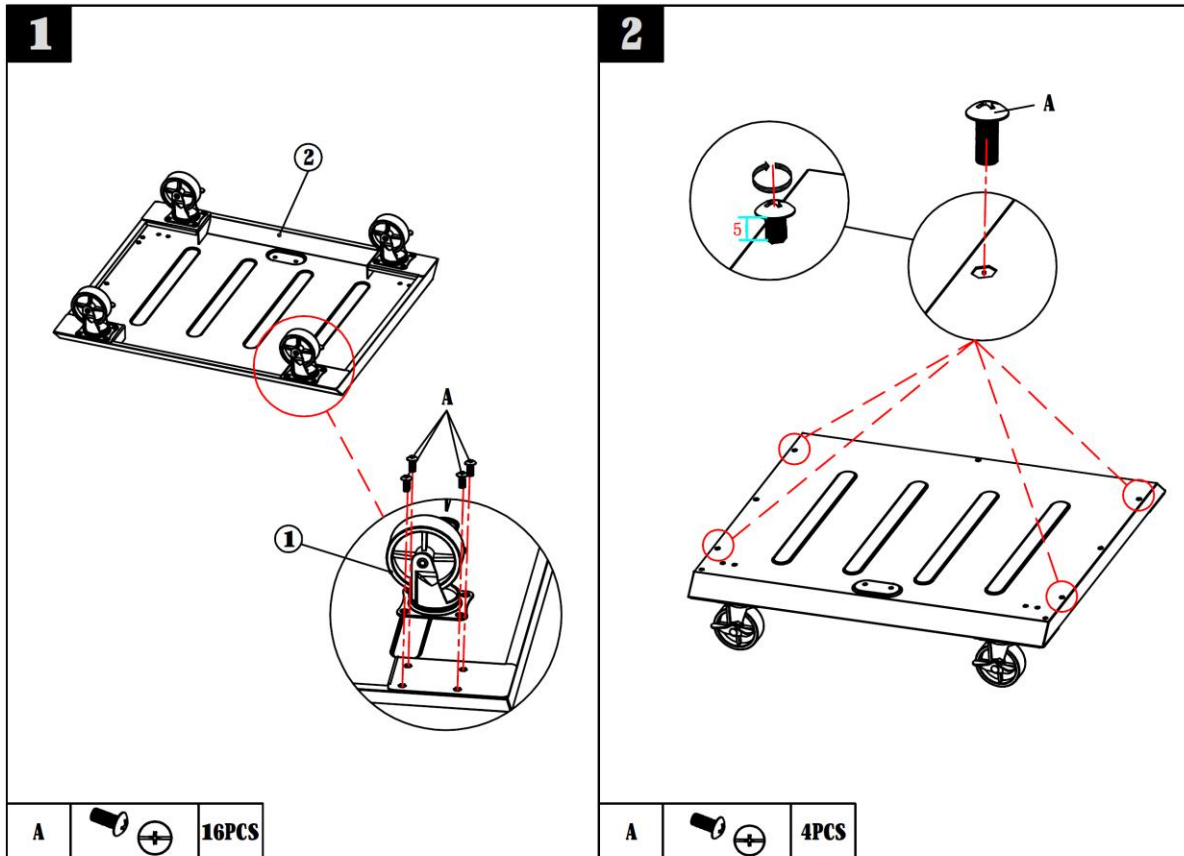
FIDGI 3



FIDGI 3

① *4 	② *1 	③ *2 
④ *1 	⑤ *2 	⑥ *1 
⑦ *1(L) 	⑧ *1(R) 	⑨ *1 
⑩ *2 	⑪ *4 	⑫ *2 
⑬ *1(L) 	⑭ *1(R) 	⑮ *1 
⑯ *1 	⑰ *1 	⑱ *1 
⑲ *1 	⑳ *1 	㉑ *1 
㉒ *1 	㉓ *1 	㉔ *1 
㉕ *2 	㉖ *1 	㉗ *1 
㉘ *1 	㉙ *1 	
A M5-10*49 	B M5-12*10 	C M4-8*6 
D M6-15*4 	E *1 	F *4 
G M4-8*8 	H M4-10*2 	I ϕ 28-2*1 
J M5-16*12 	K *2 	

FIDGI 3



FIDGI 3

5

A		5PCS
---	--	------

6

A		8PCS
---	--	------

7

C		2PCS
E		1PC

8

A		2PCS
B		6PCS

FIDGI 3

9

B

B		4PCS
---	--	------

10

D

D		4PCS
---	--	------

11

F

F		4PCS
---	--	------

12

FIDGI 3

13

G		4PCS
---	--	------

14

A		4PCS
G		4PCS

15

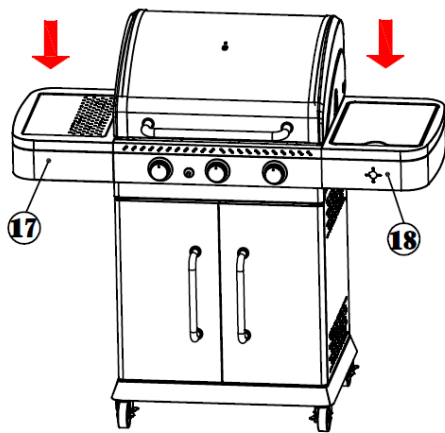
J		4PCS
---	--	------

16

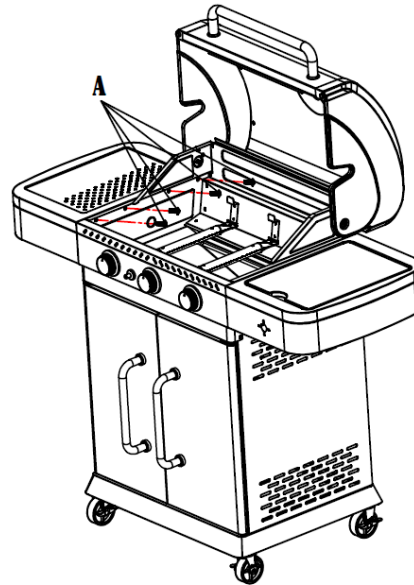
J		2PCS
K		2PCS

FIDGI 3

17

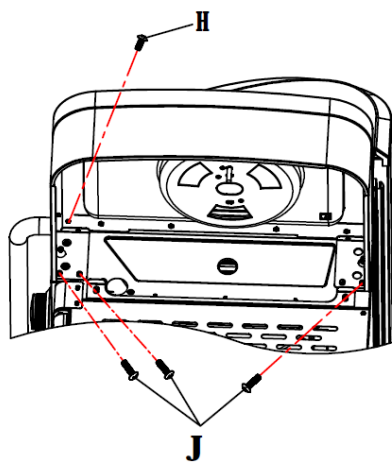


18



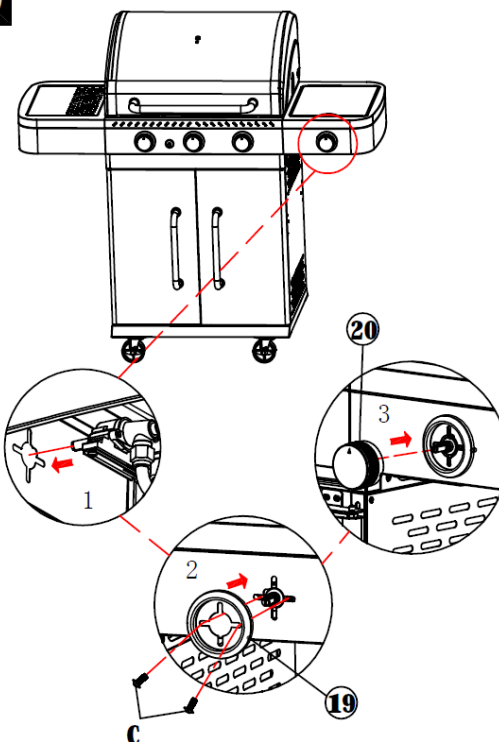
A		8PCS
---	--	------

19



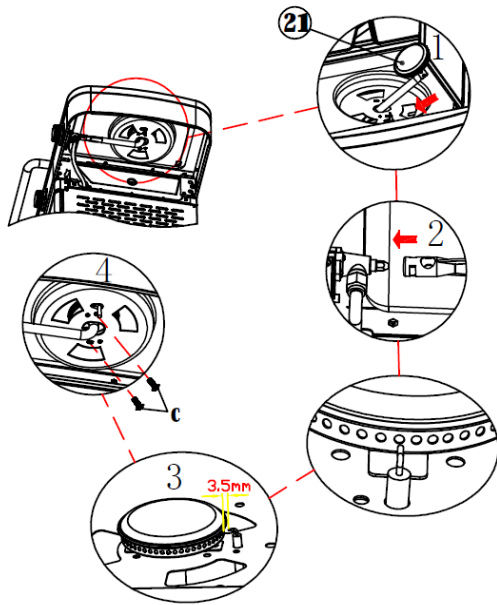
H		2PCS
J		6PCS

20



C		2PCS
---	--	------

21

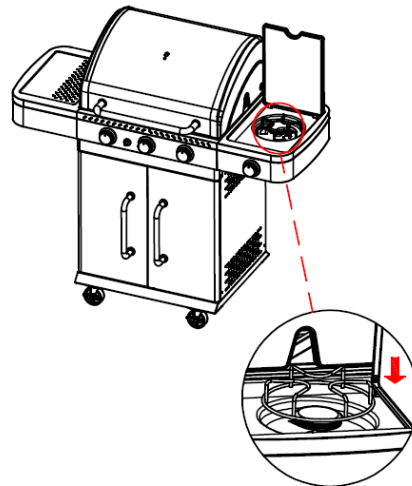


c

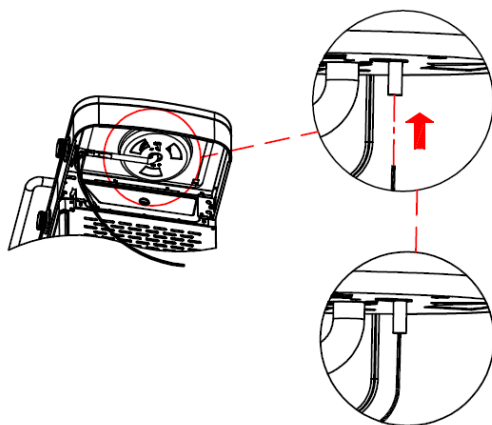


2PCS

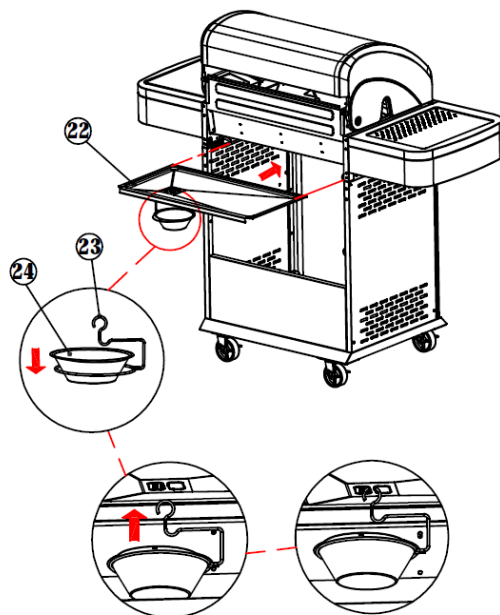
22



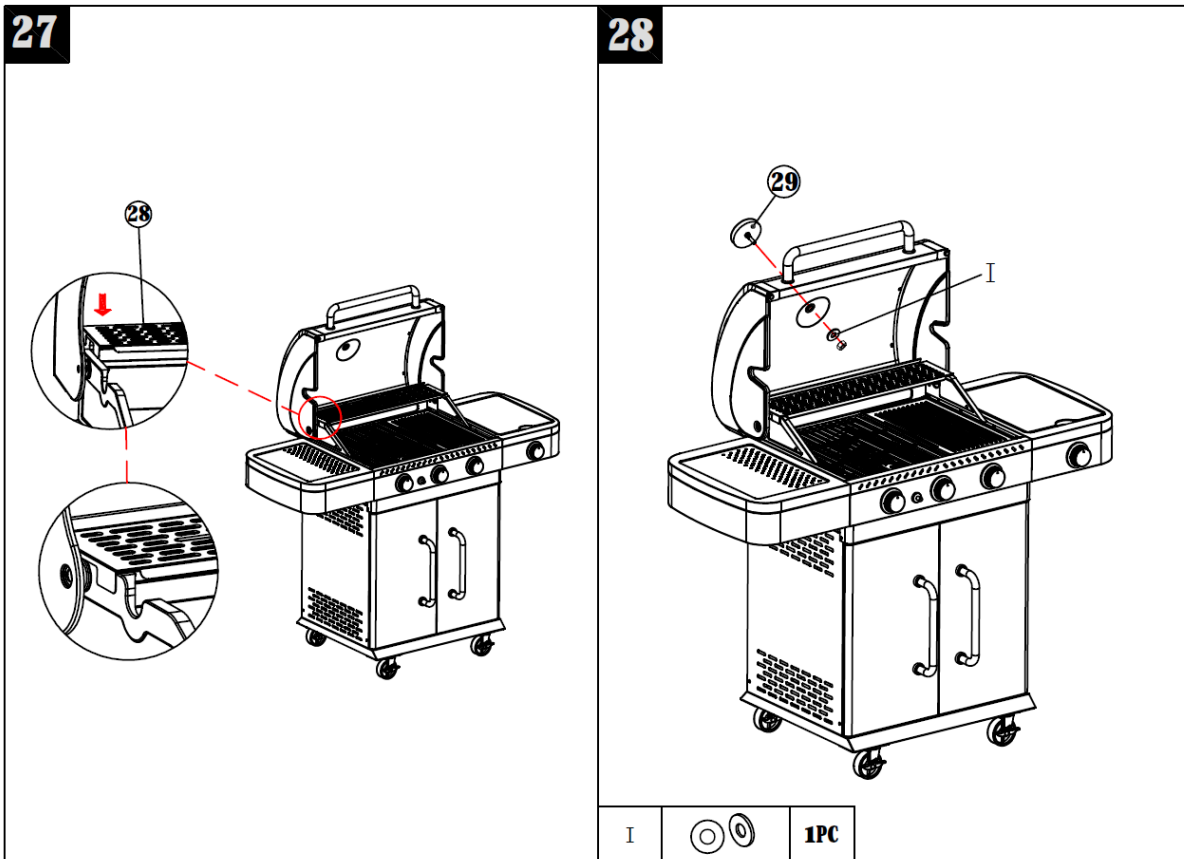
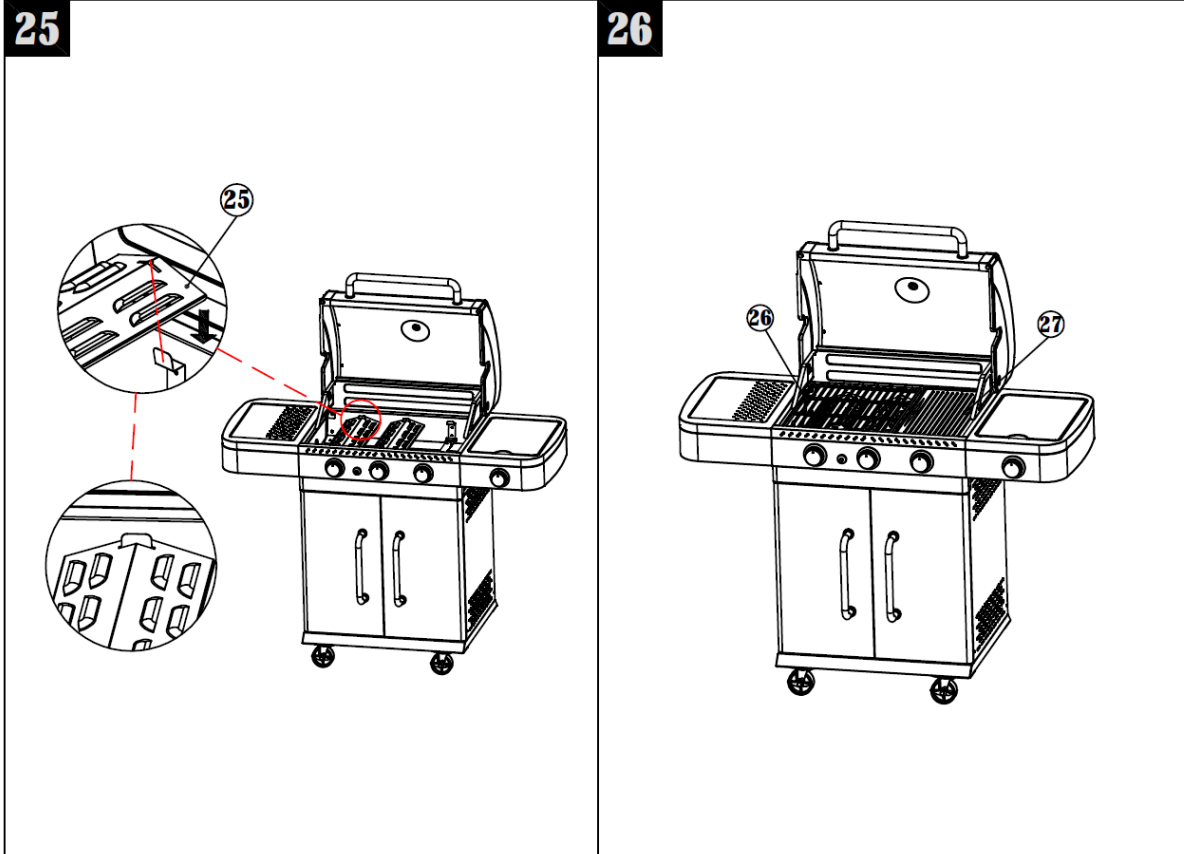
23



24



FIDGI 3



29

