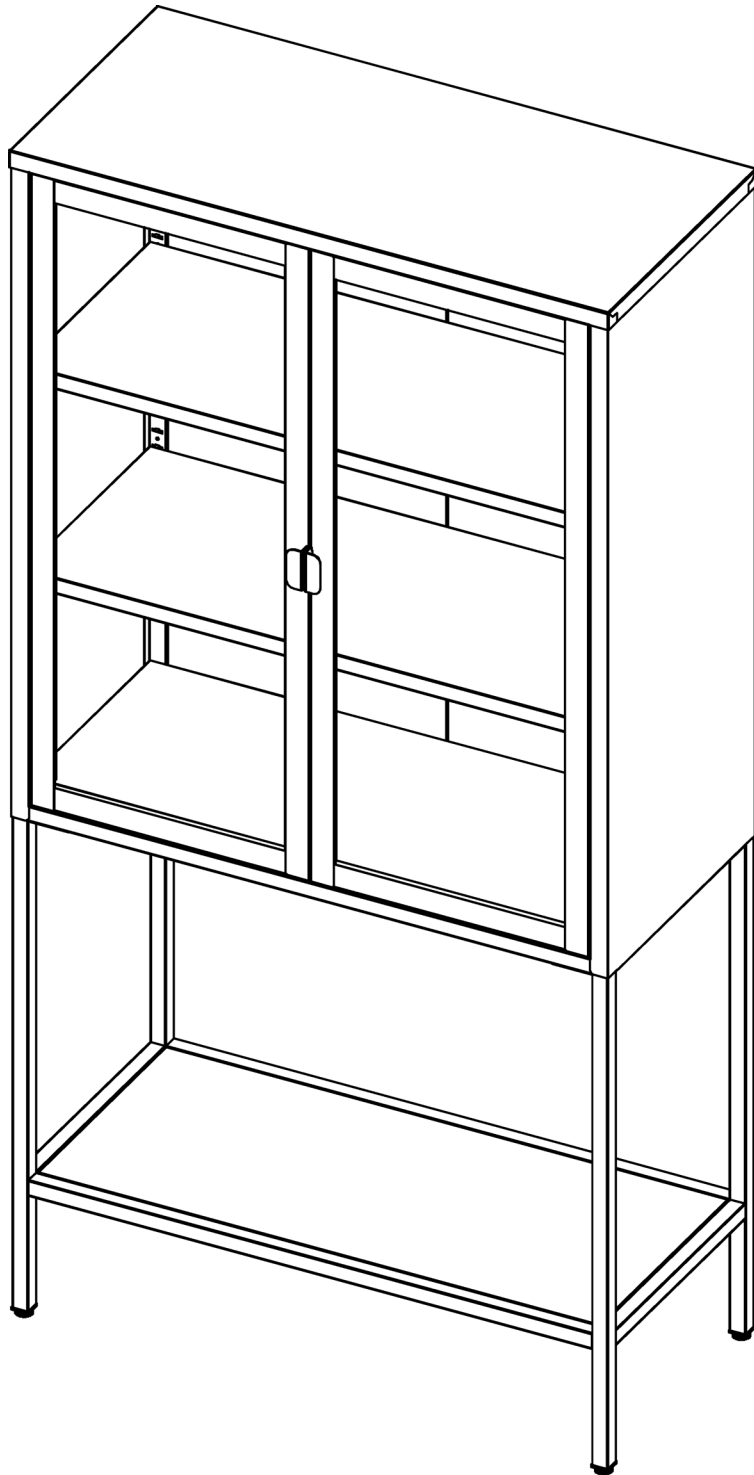
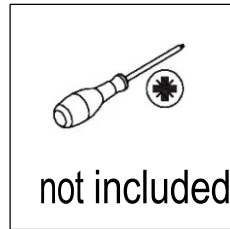
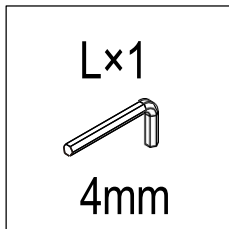
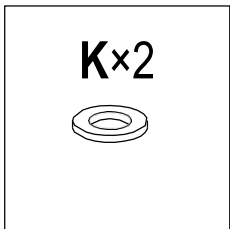
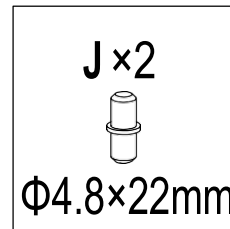
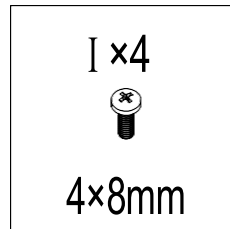
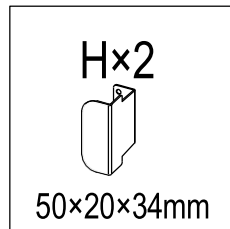
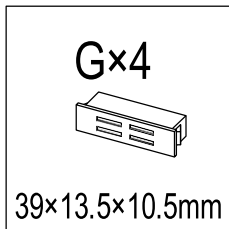
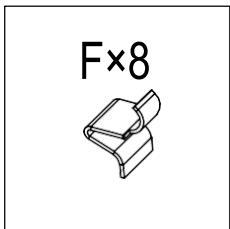
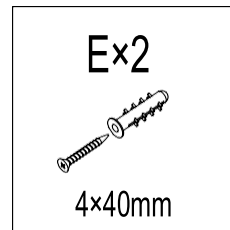
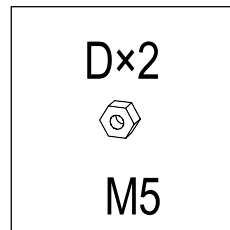
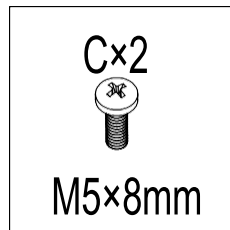
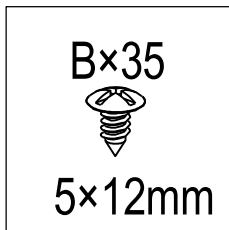
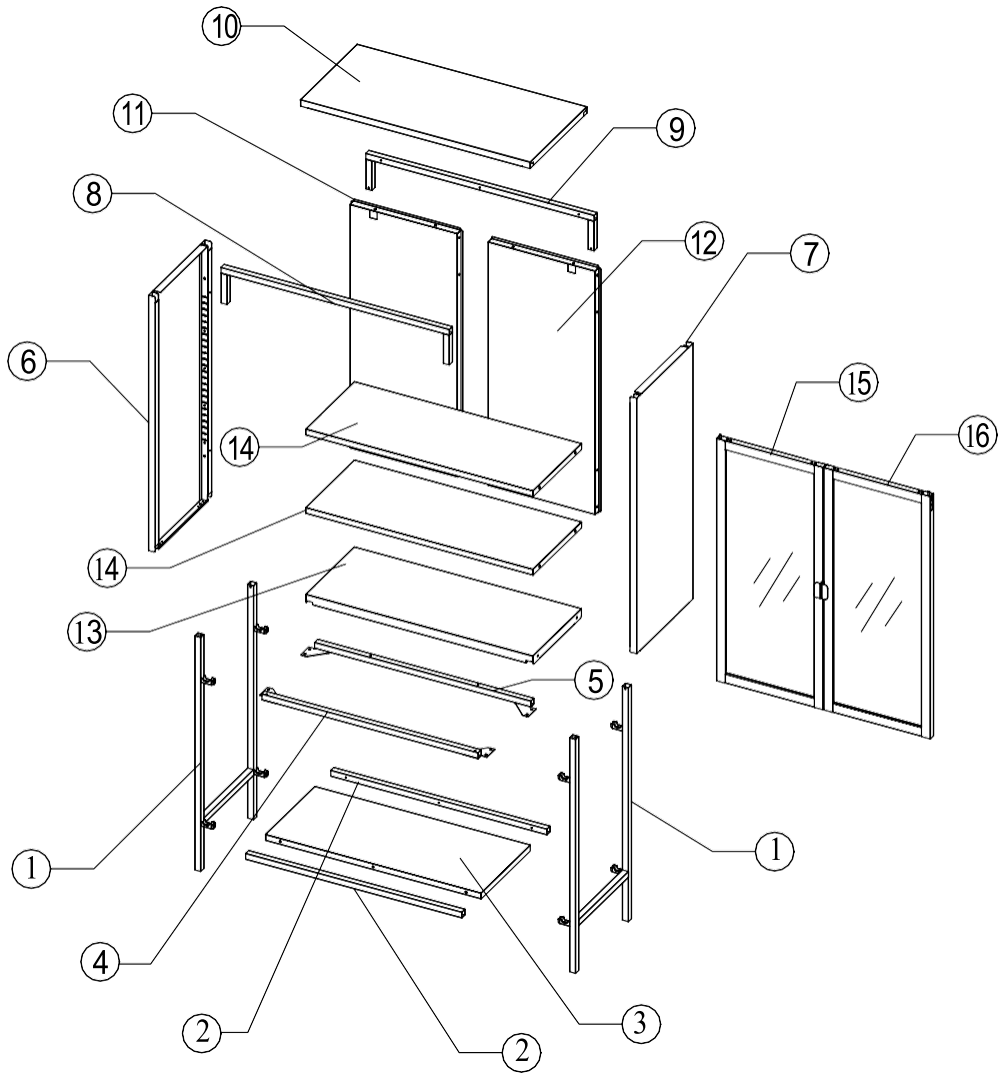




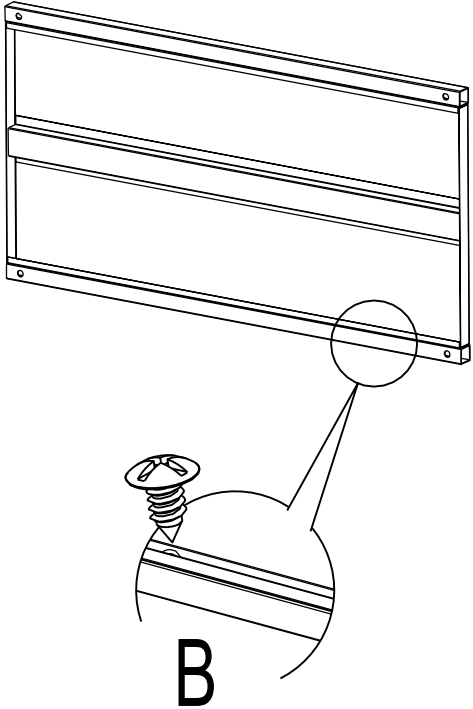
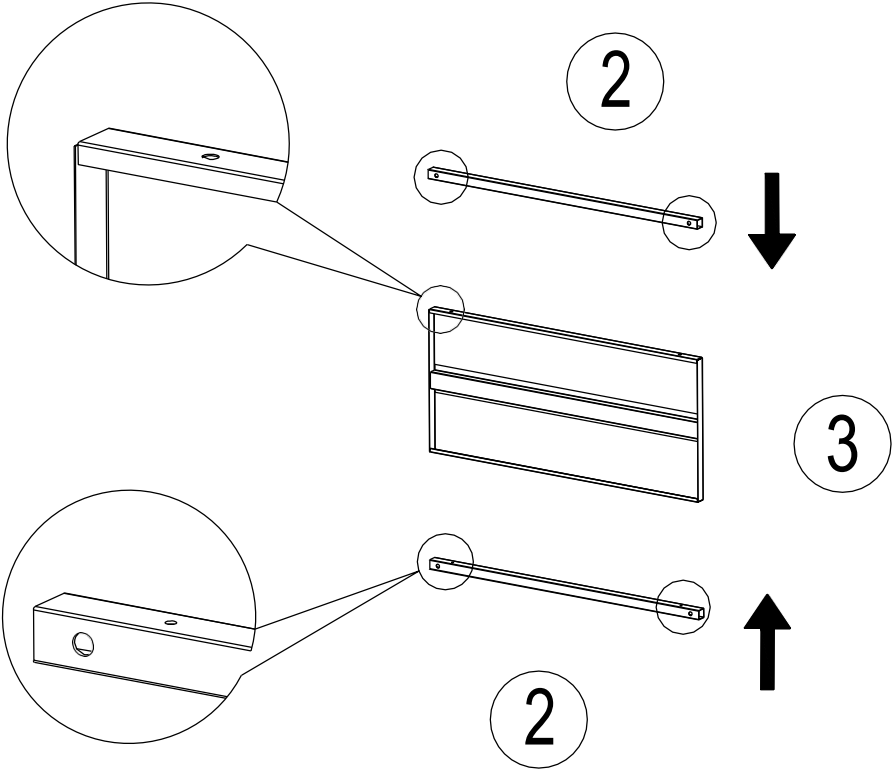
Nest living
Claes metalen vitrinekast – 75 x 100 cm







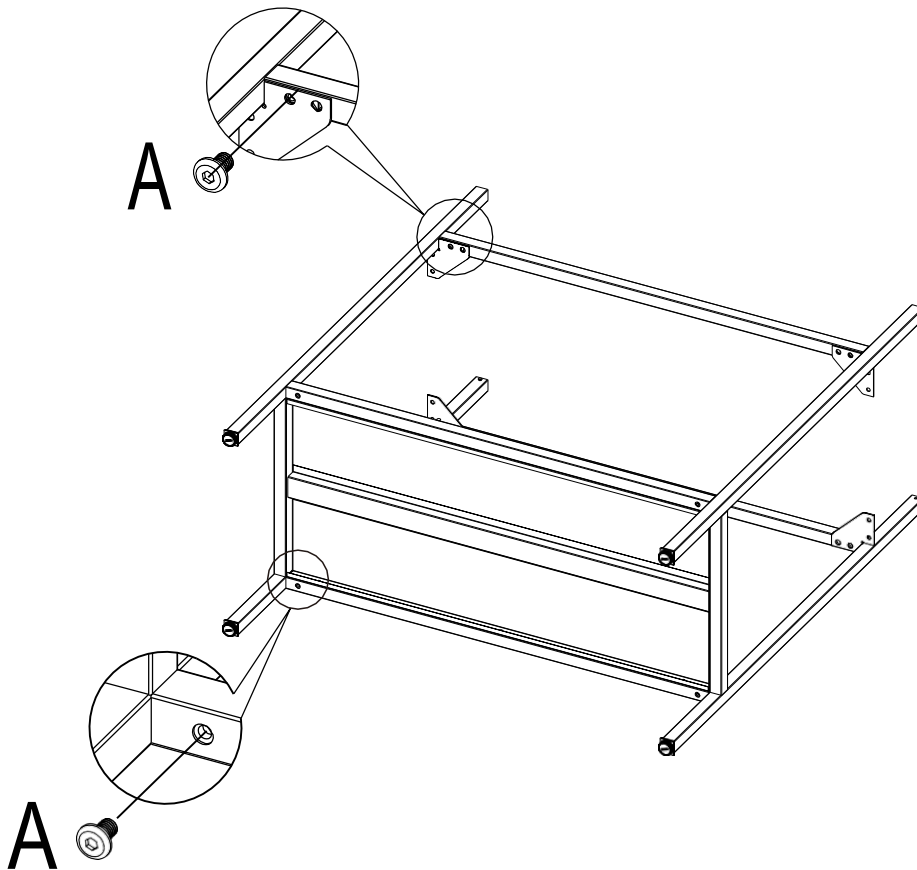
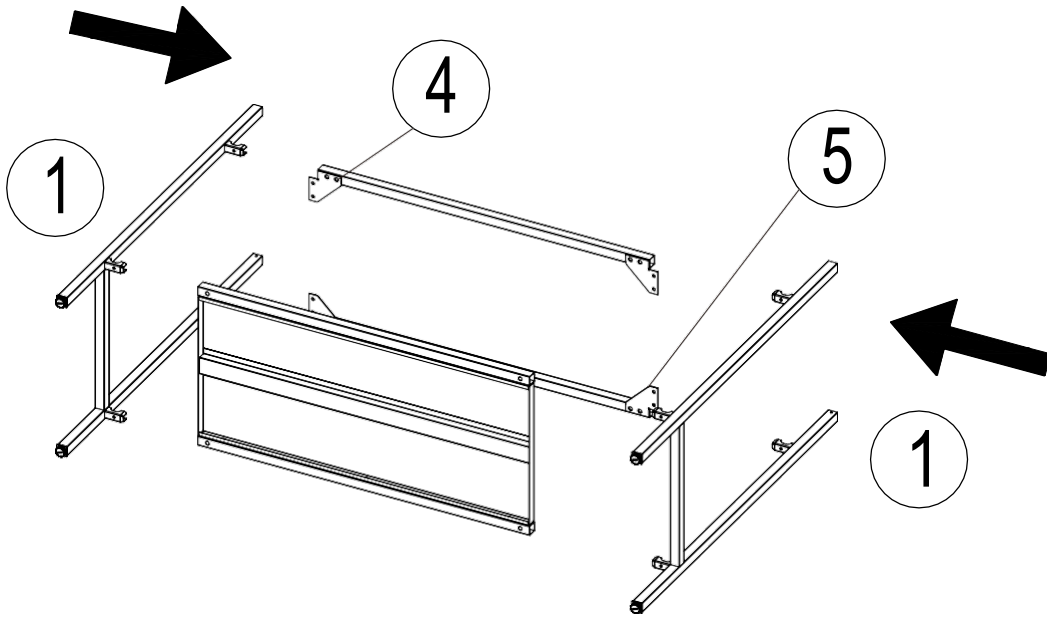
1

<p>Bx6  5x12mm</p>	
-------------------------------------------------------------------------------------------------------------	-------------------------------------------------------------------------------------


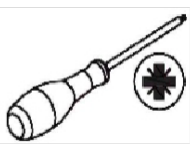


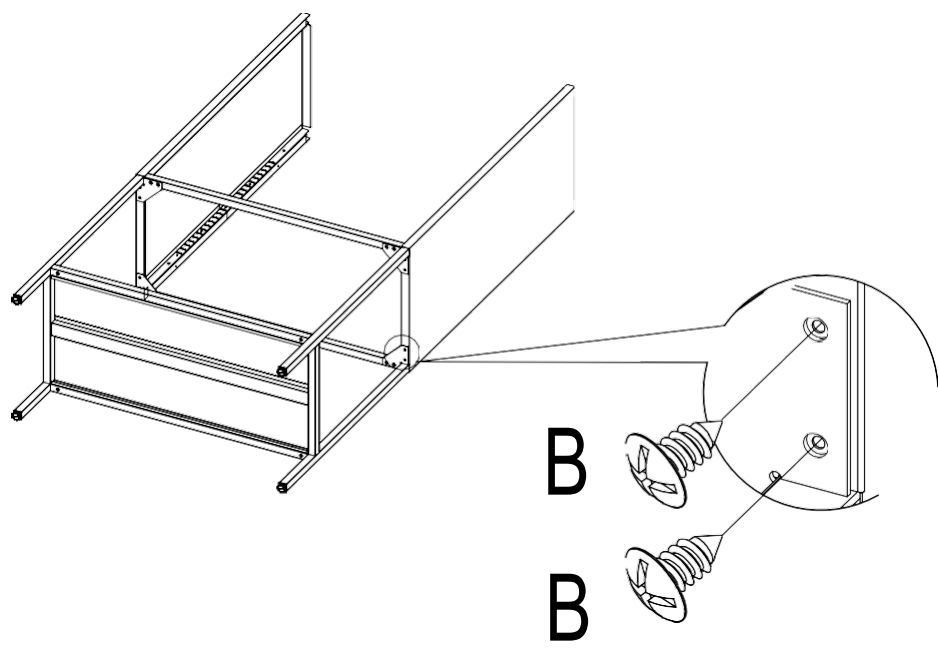
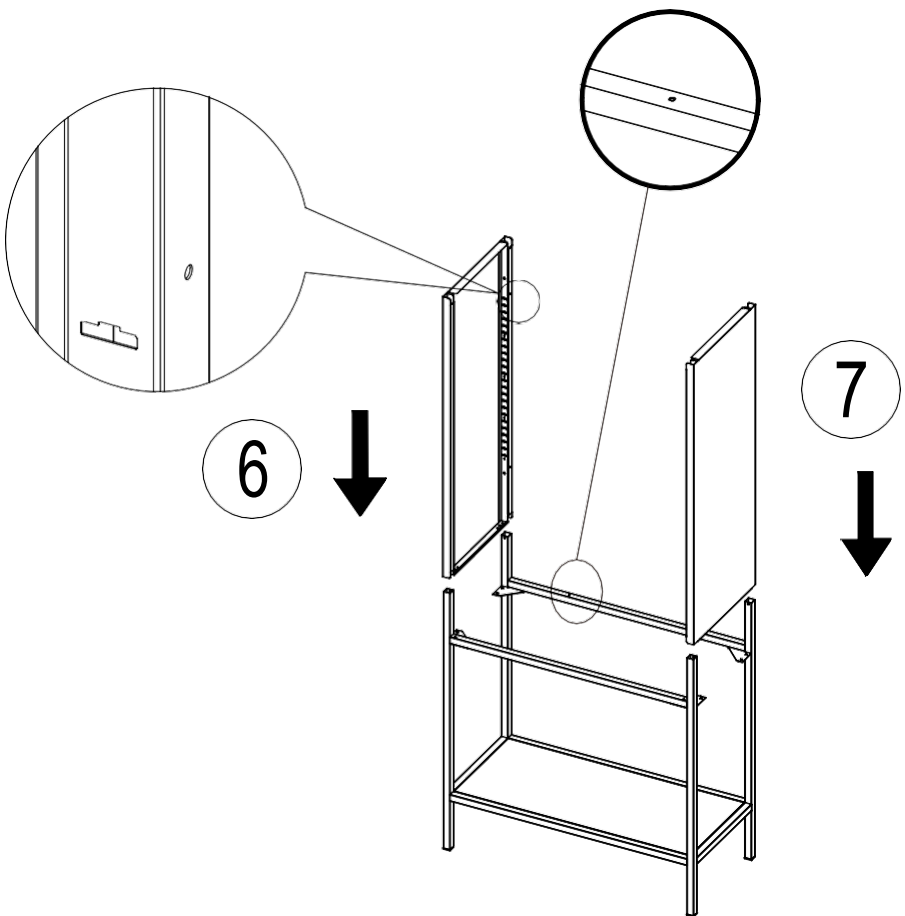
2

<p>A×8  M6×10mm</p>	<p>L×1  4mm</p>	
--------------------------------------------------------------------------------------------------------------	----------------------------------------------------------------------------------------------------------	--


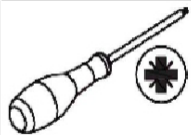


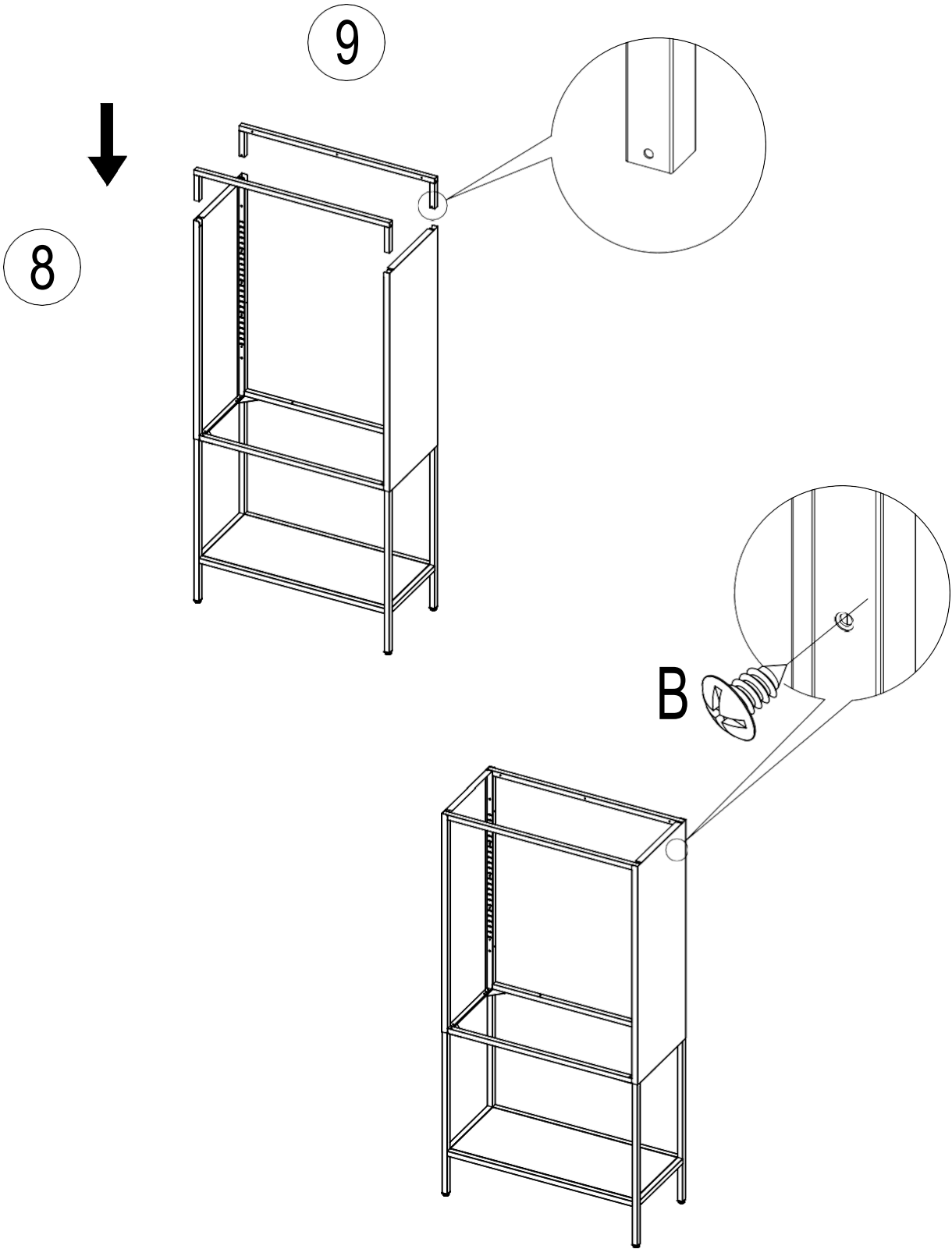
3

<p>Bx8  5x12mm</p>	
-------------------------------------------------------------------------------------------------------------	-------------------------------------------------------------------------------------




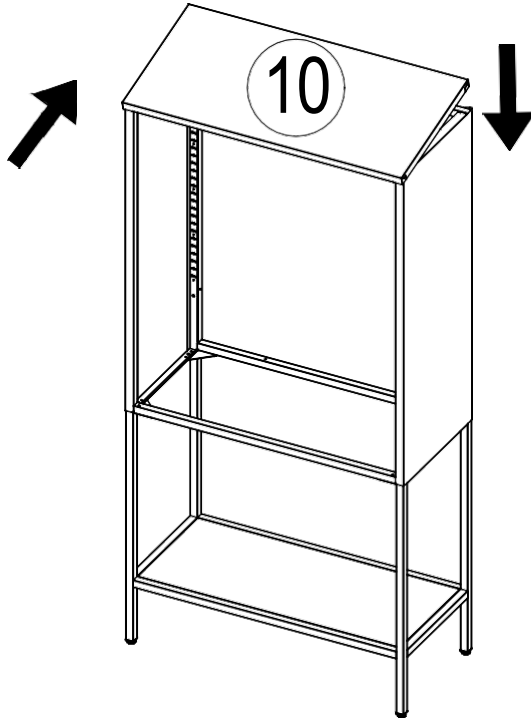
4

<p>Bx4  5x12mm</p>	
-------------------------------------------------------------------------------------------------------------	-------------------------------------------------------------------------------------

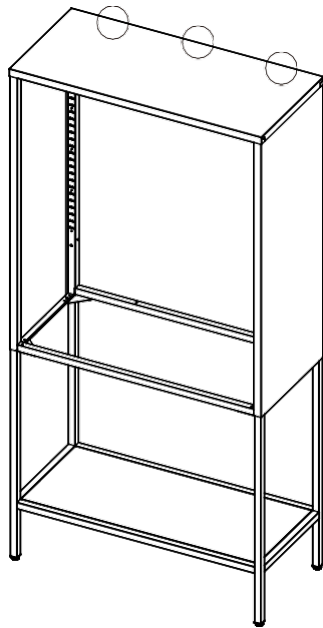
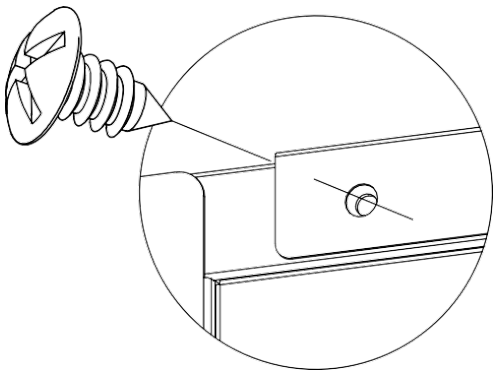


5


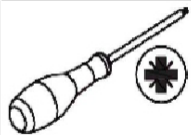
<p>Bx3</p>  <p>5x12mm</p>	
------------------------------------------------------------------------------------------------------------	--

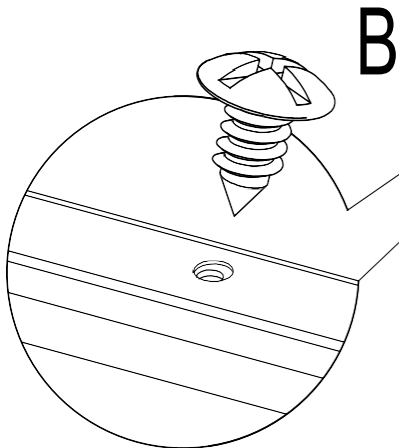
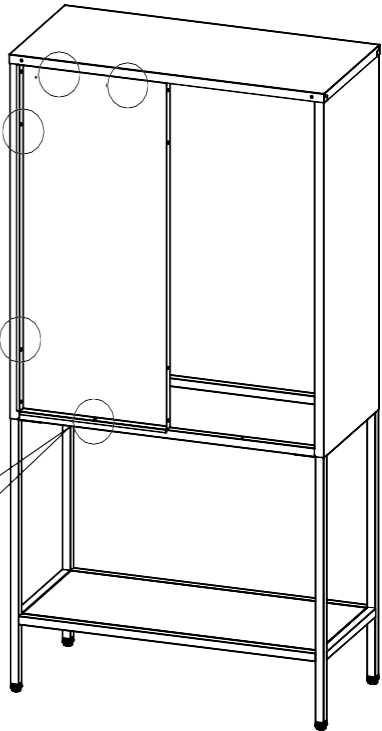
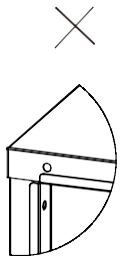
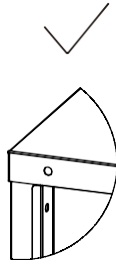
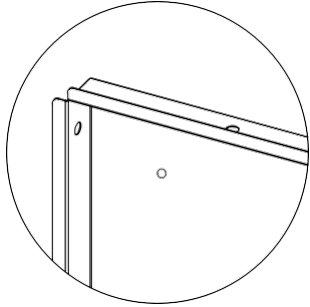
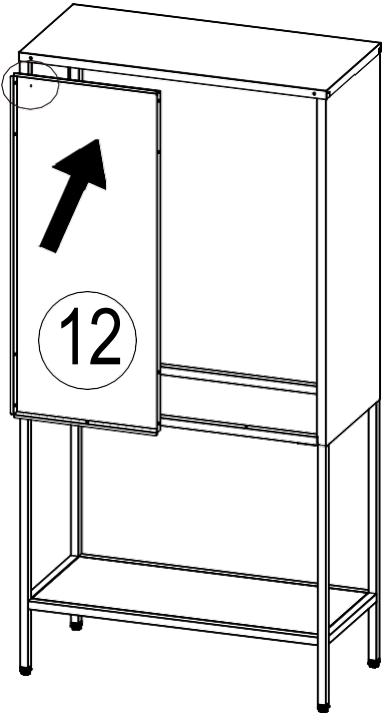


B


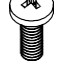




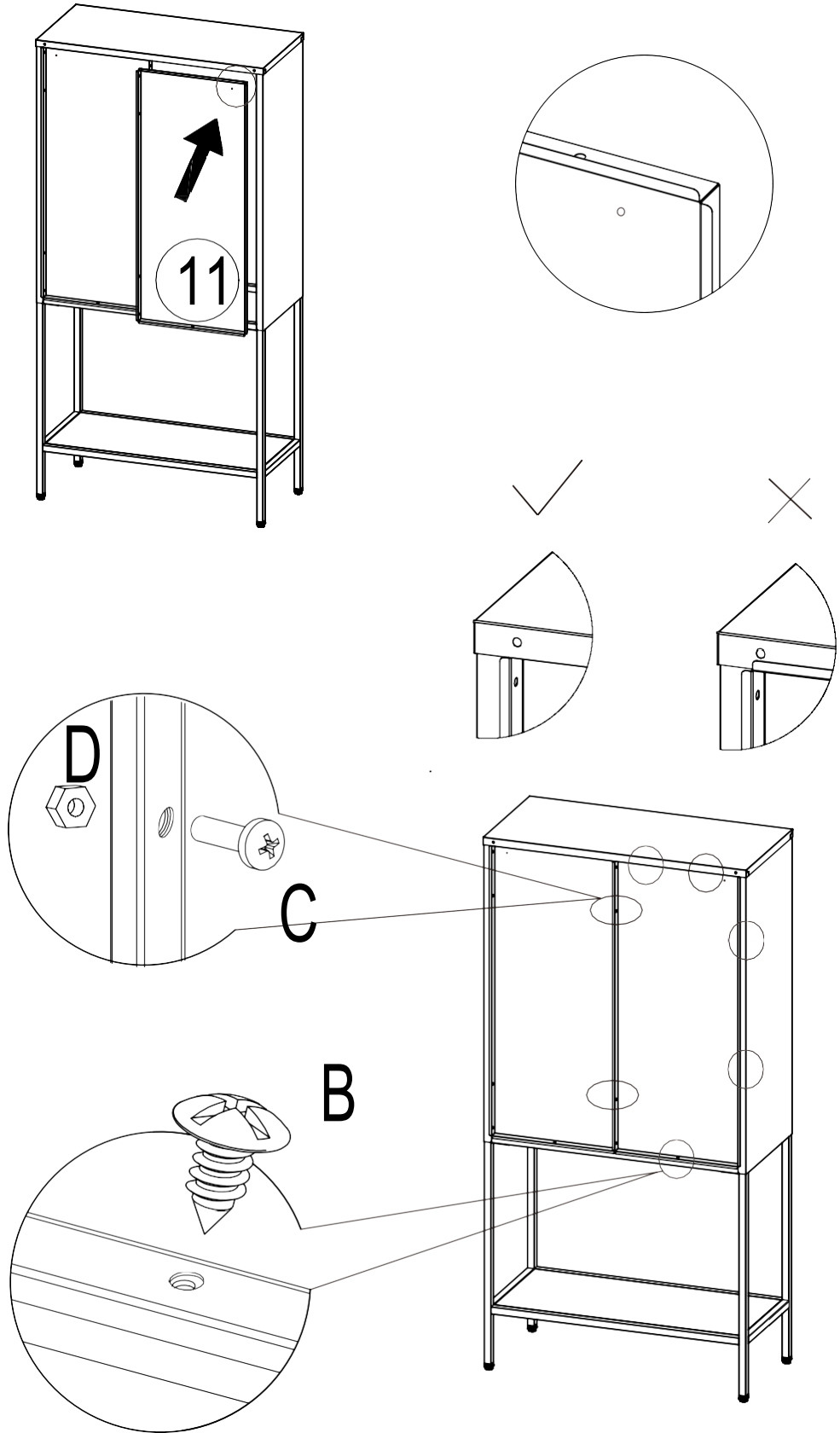
6

<p>Bx5  5x12mm</p>	
-------------------------------------------------------------------------------------------------------------	-------------------------------------------------------------------------------------


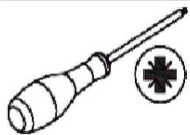


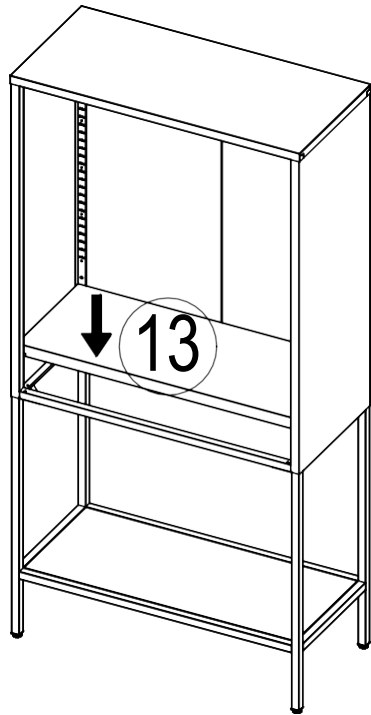
7

B×5  5×12mm	C×2  M5×8mm	D×2  M5	
-----------------------------------------------------------------------------------------------------------	-----------------------------------------------------------------------------------------------------------	-------------------------------------------------------------------------------------------------------	-------------------------------------------------------------------------------------

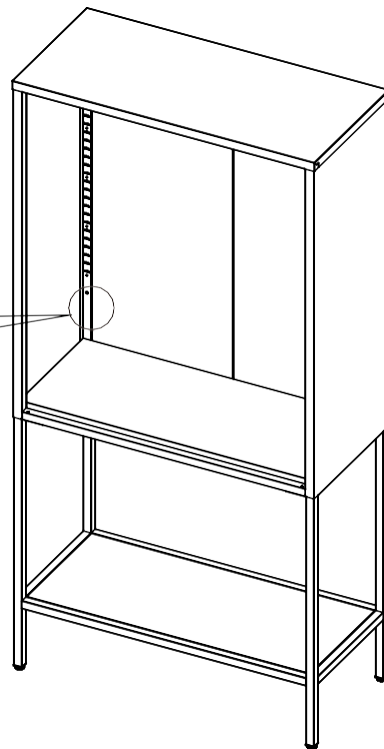
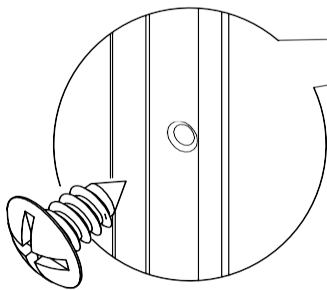


8

<p>Bx4  5x12mm</p>	
-------------------------------------------------------------------------------------------------------------	-------------------------------------------------------------------------------------

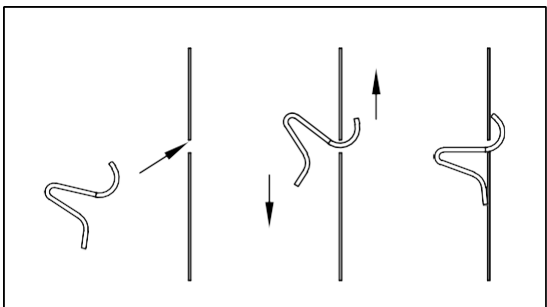


B

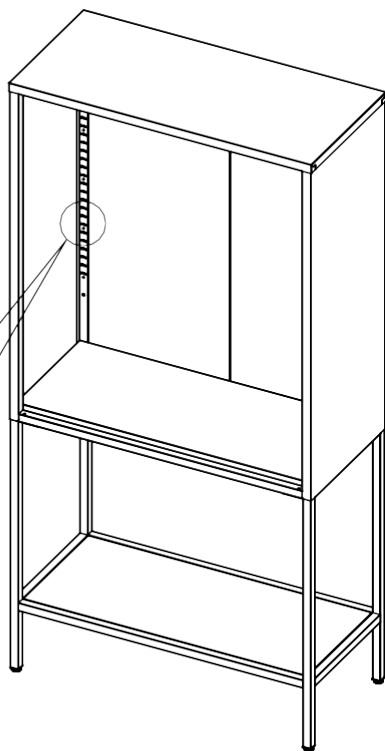
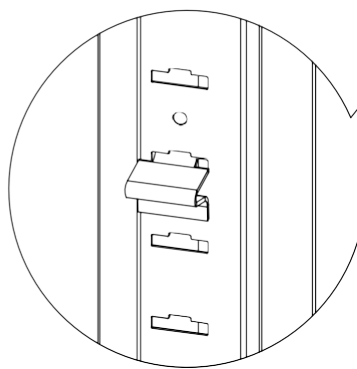


9

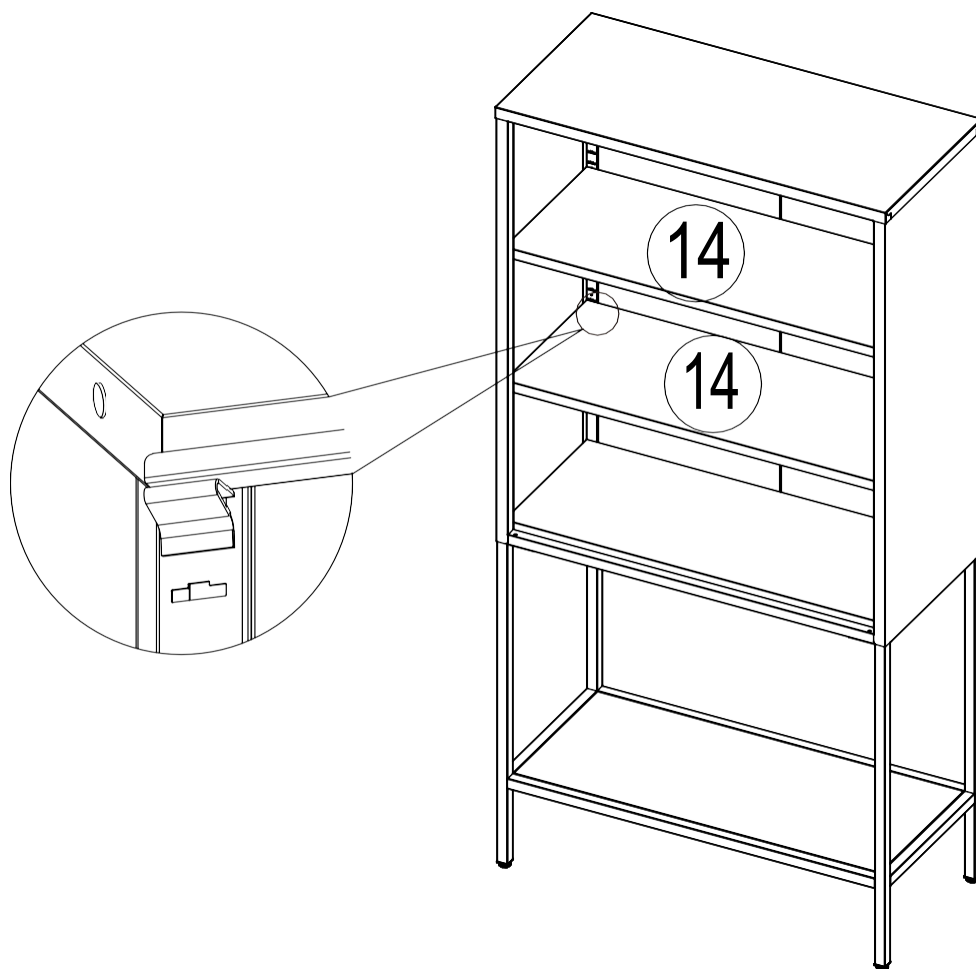
<p>F×8</p> 	
----------------------------------------------------------------------------------------------	--



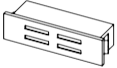
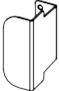

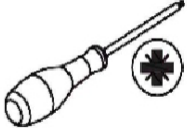
F

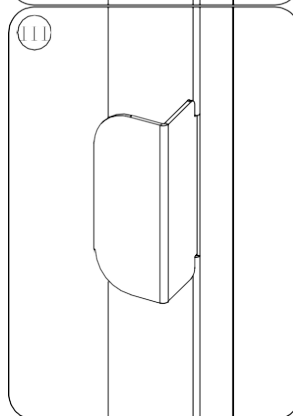
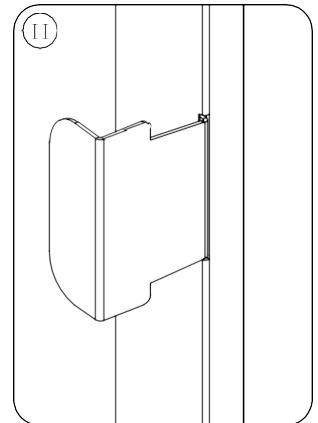
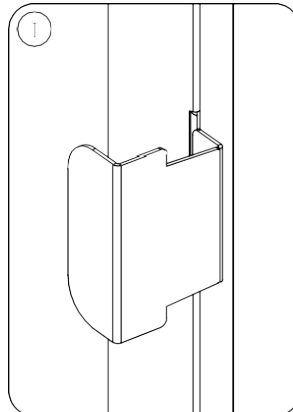
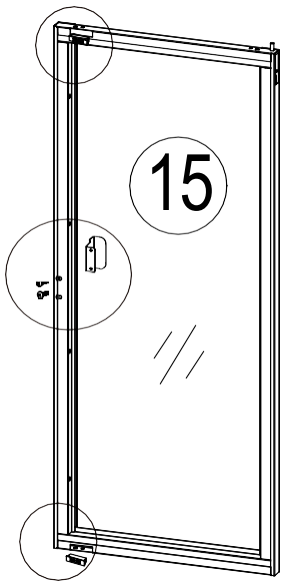
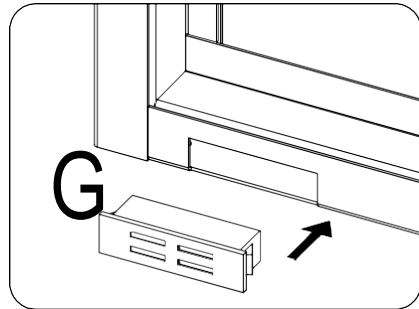
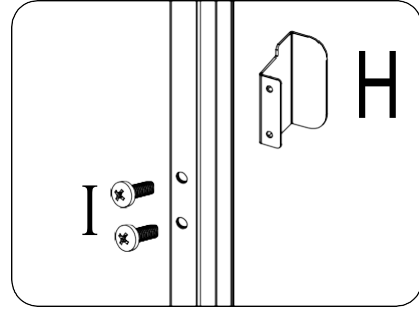
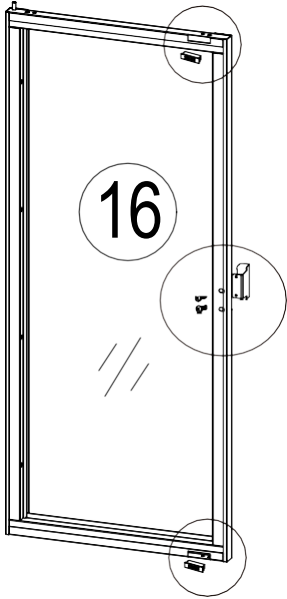


10

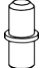



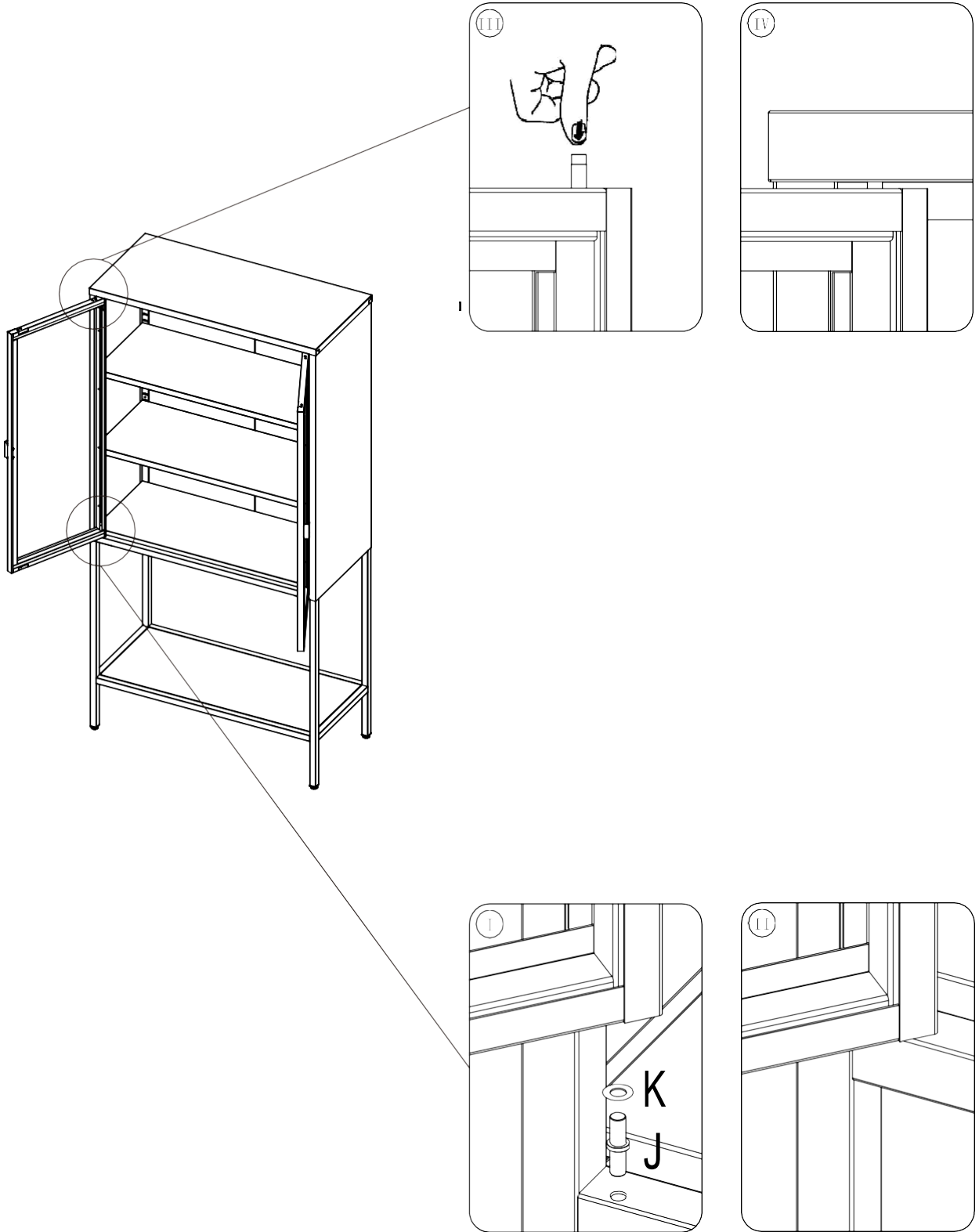
11

<p>Gx4</p>  <p>39×13.5×10.5mm</p>	<p>Hx2</p>  <p>50×20×34mm</p>	<p>Ix4</p>  <p>4×8mm</p>	
---------------------------------------------------------------------------------------------------------------------------	-----------------------------------------------------------------------------------------------------------------------	------------------------------------------------------------------------------------------------------------------	-------------------------------------------------------------------------------------



12

<p>J×2</p>  <p>Φ4.8×22mm</p>	<p>K×2</p>  <p>Φ5.5mm</p>	
---------------------------------------------------------------------------------------------------------------	------------------------------------------------------------------------------------------------------------	--

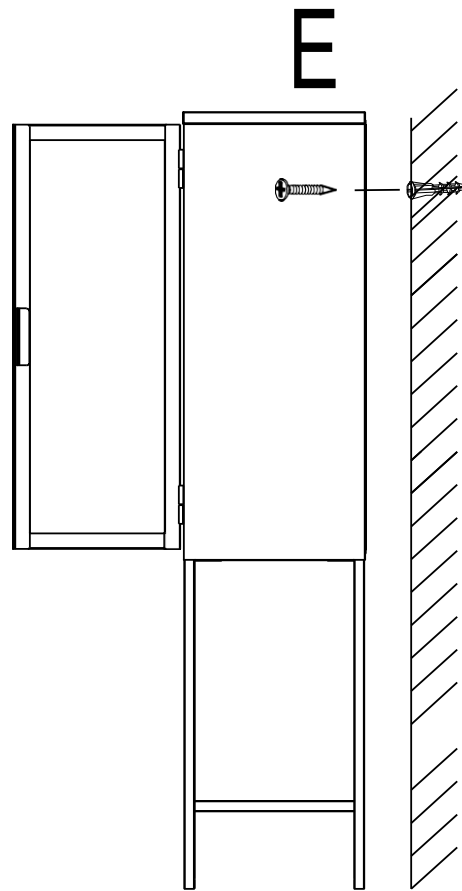
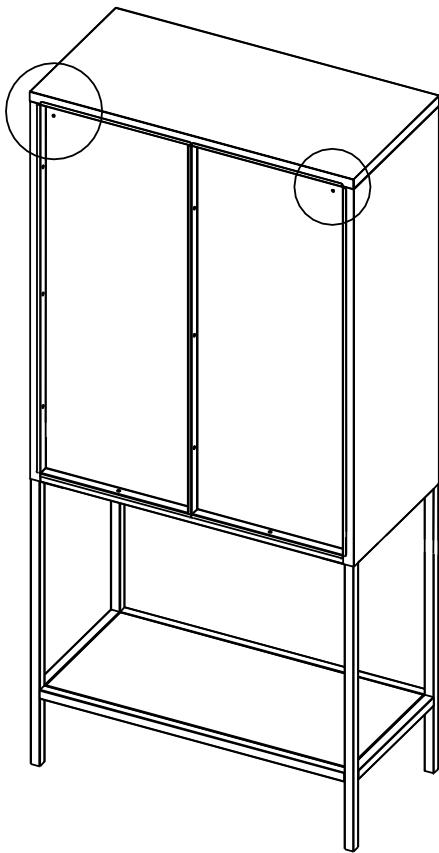


13

E×2



4×40mm



14

