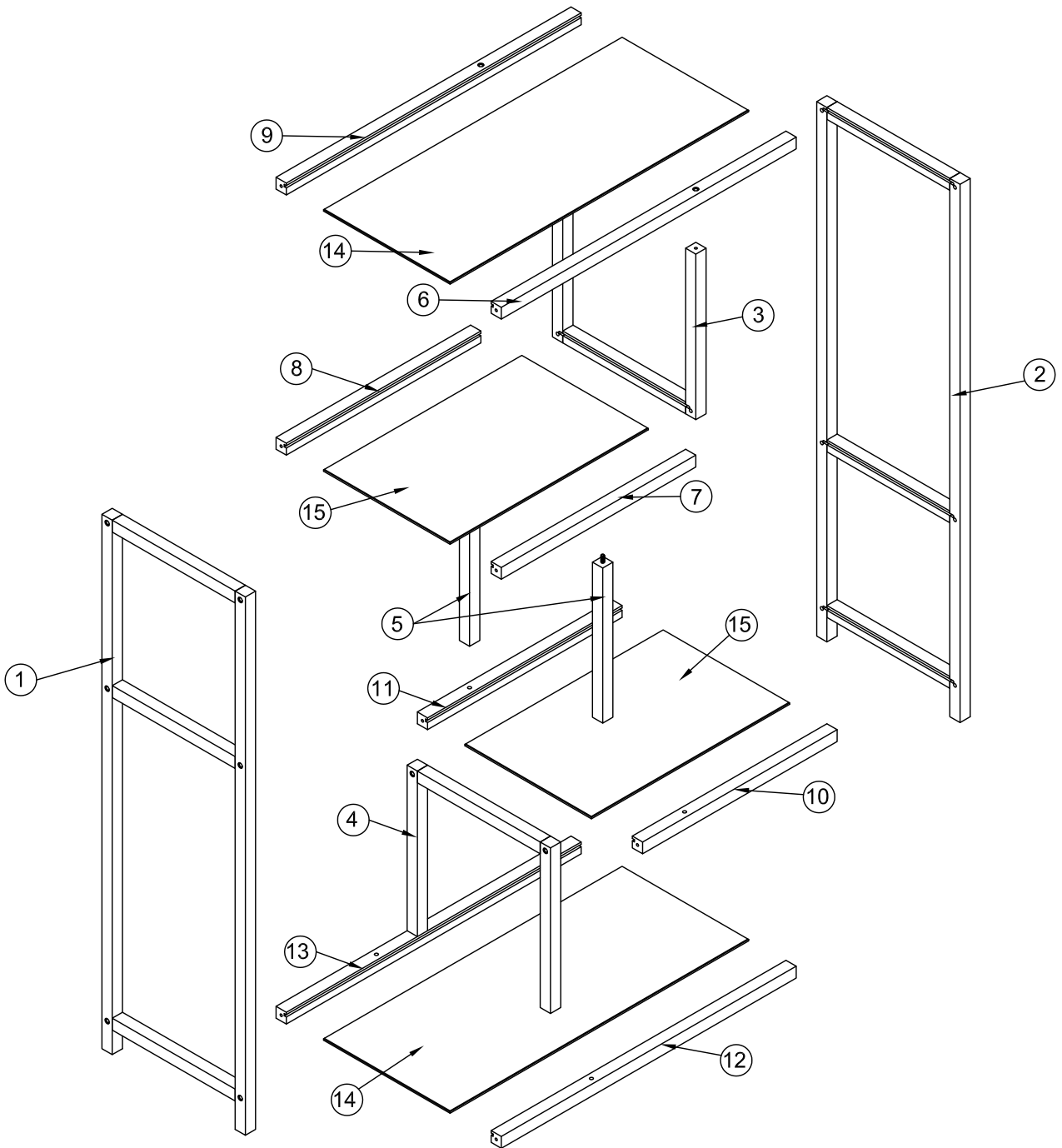
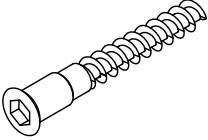
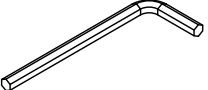
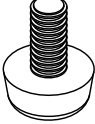
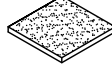

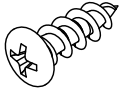


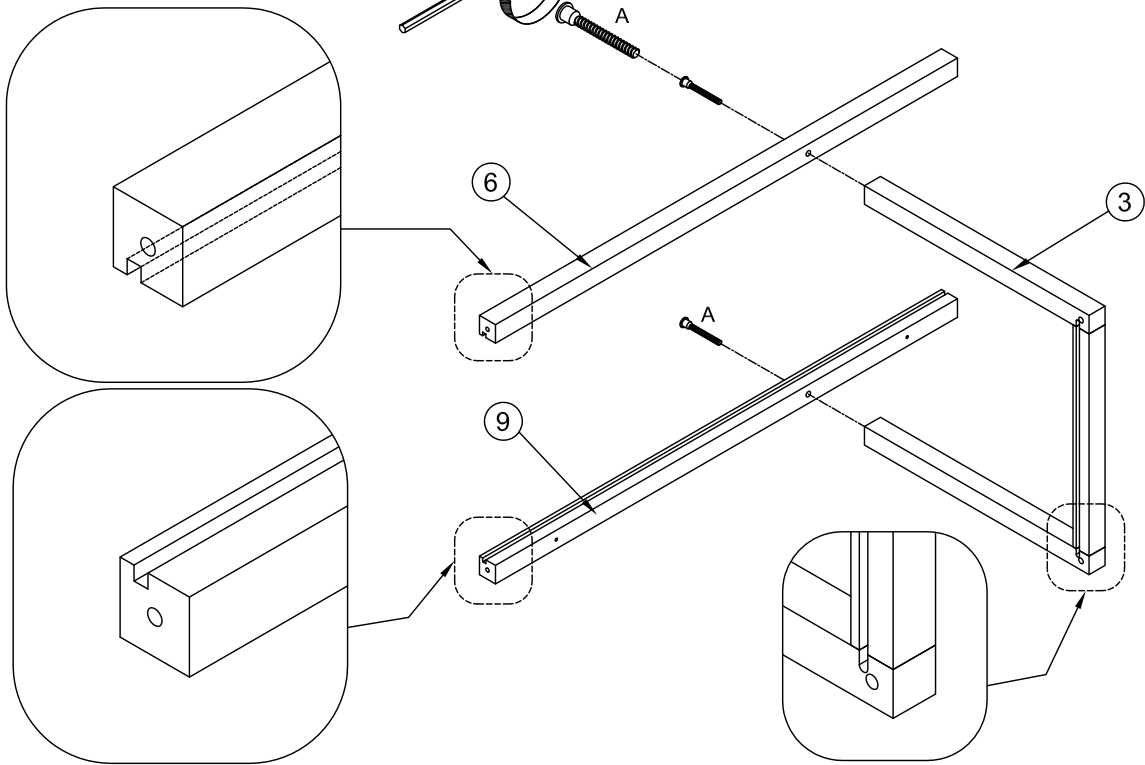
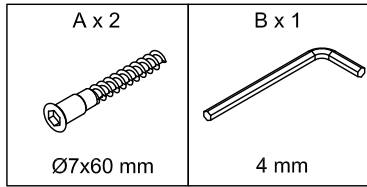
			✓
①	1	1138x350x25	
②	1	1138x350x25	
③	1	350x350x25	
④	1	350x350x25	
⑤	2	326x25x25	
⑥	1	720x25x25	
⑦	1	475x25x25	
⑧	1	475x25x25	

			✓
⑨	1	720x25x25	
⑩	1	475x25x25	
⑪	1	475x25x25	
⑫	1	720x25x25	
⑬	1	720x25x25	
⑭	2	729x309x12	
⑮	2	484x309x12	

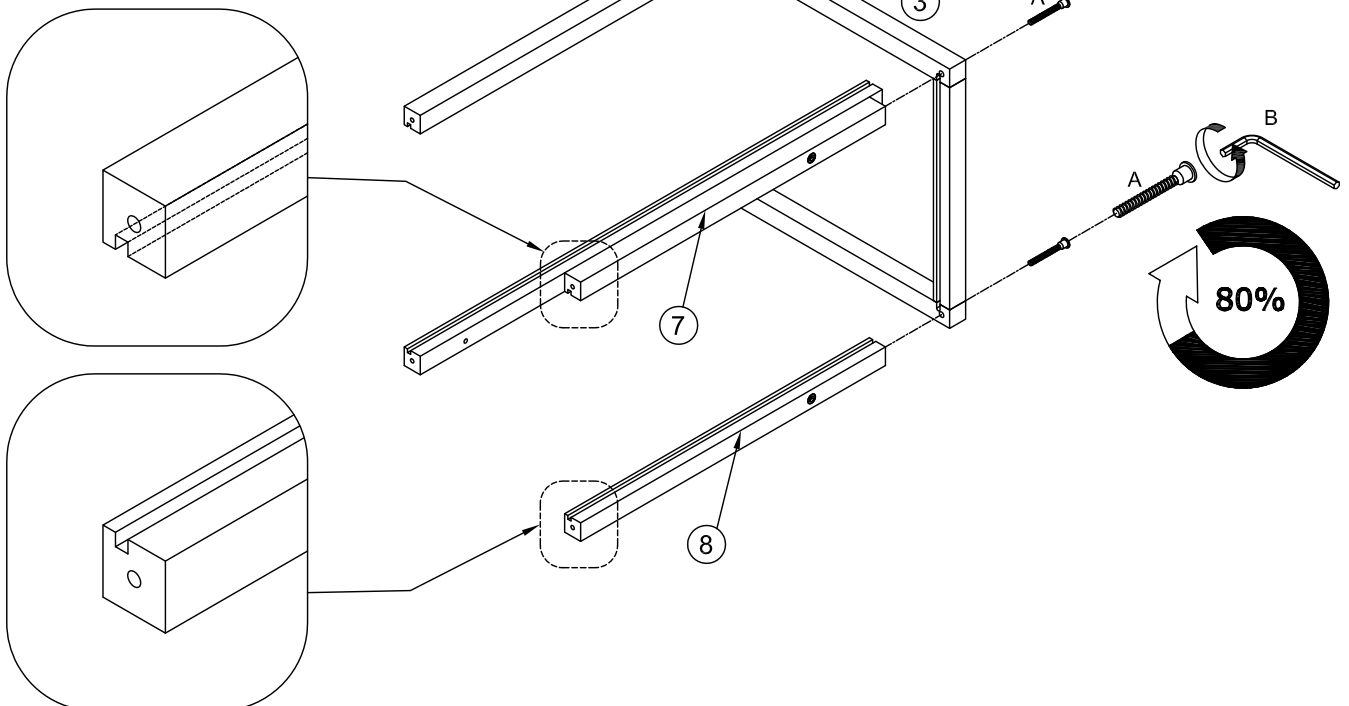
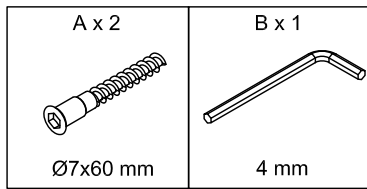


<p>A x 22</p>  <p>Ø7x60 mm</p>	<p>B x 1</p>  <p>4 mm</p>	<p>C x 2</p>  <p>Ø15x20 mm</p>	<p>D x 2</p>  <p>22x22x3 mm</p>	<p>E x 2</p>  <p>142x19 mm</p>
<p>F x 2</p>  <p>Ø4x16 mm</p>				

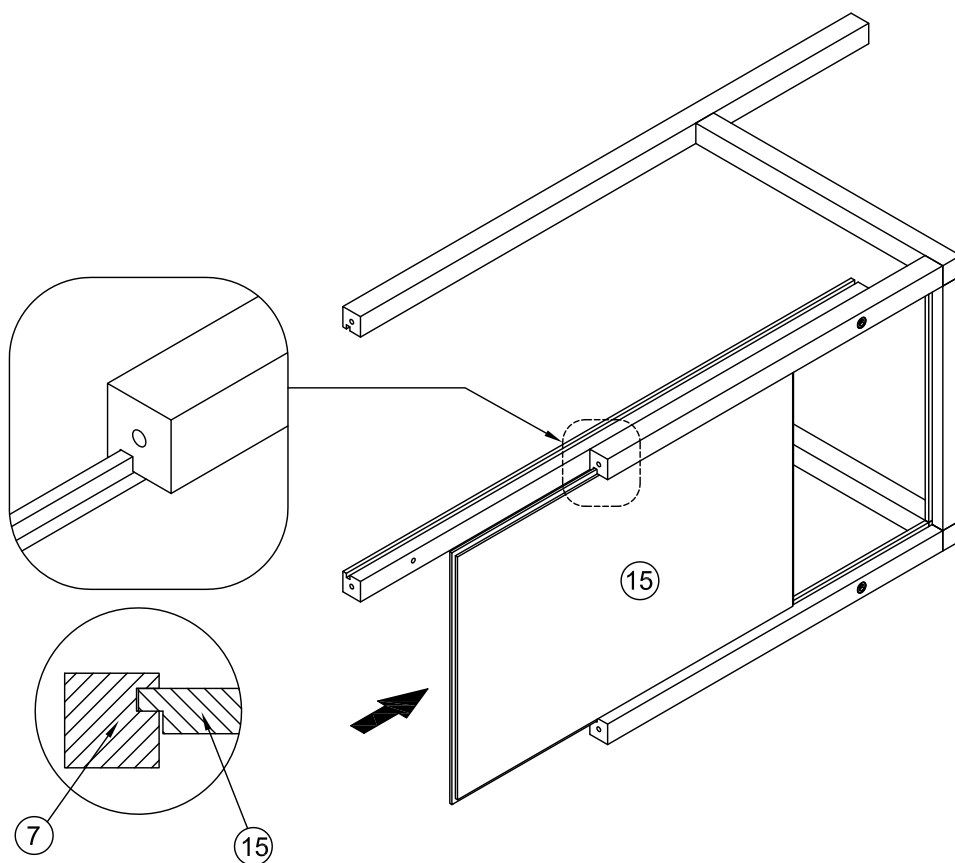
1



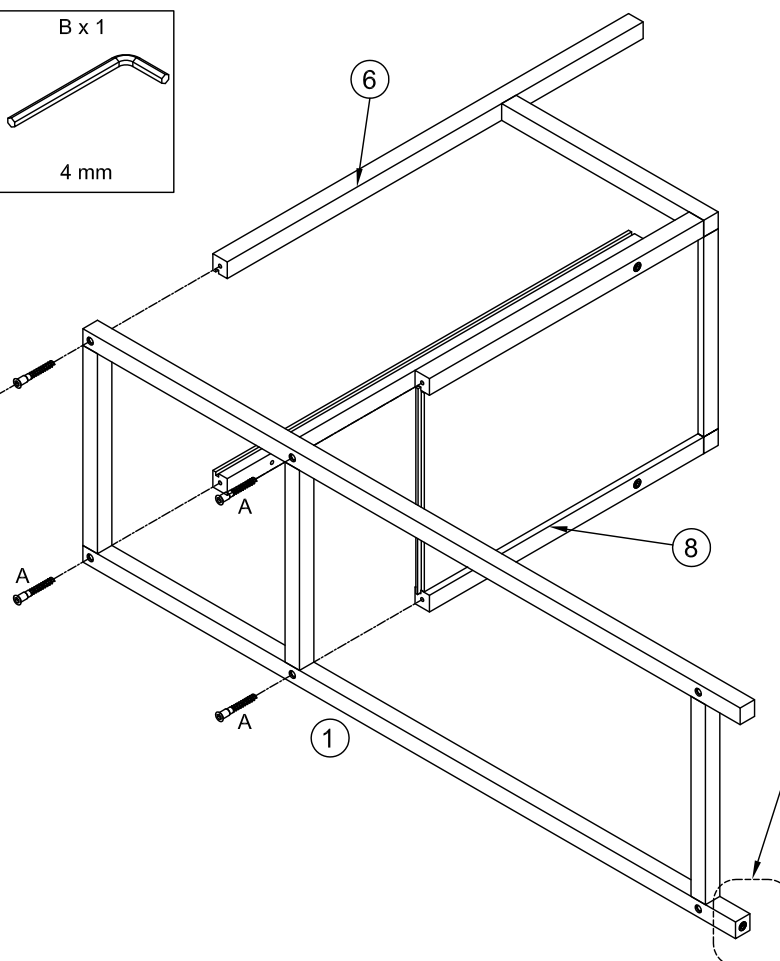
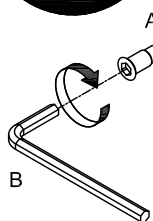
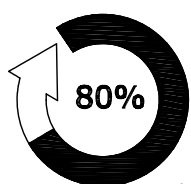
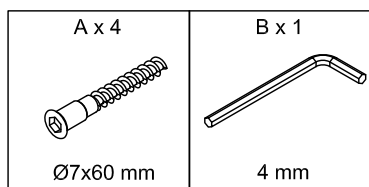
2



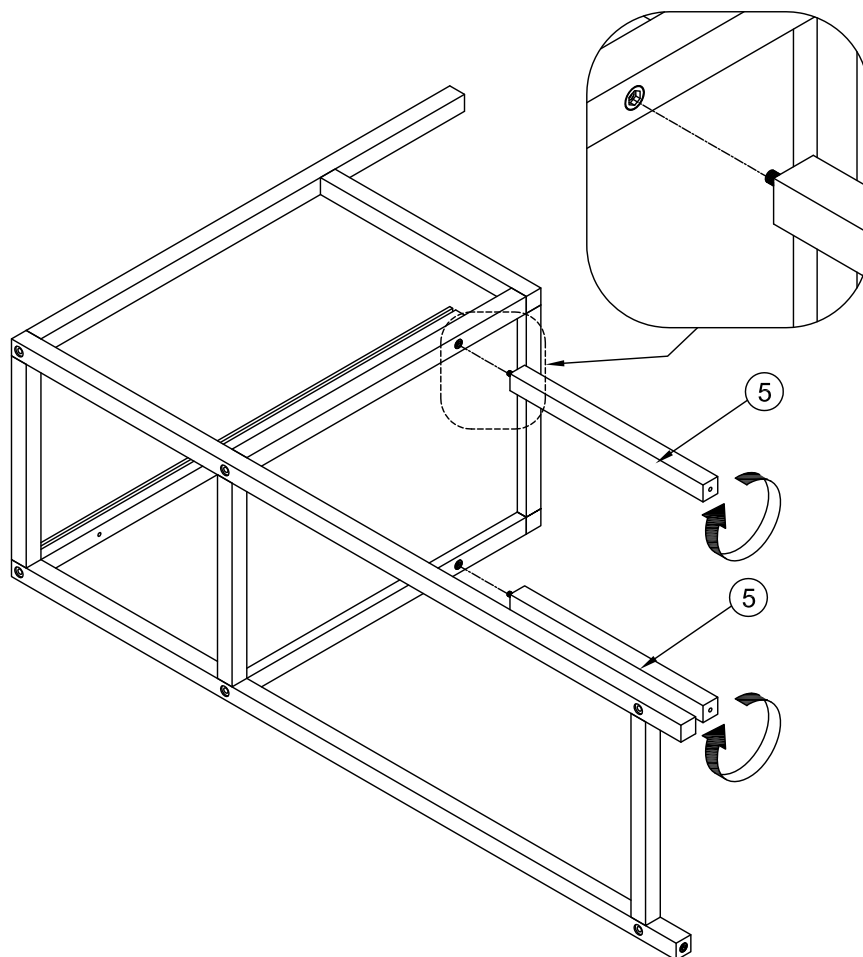
3



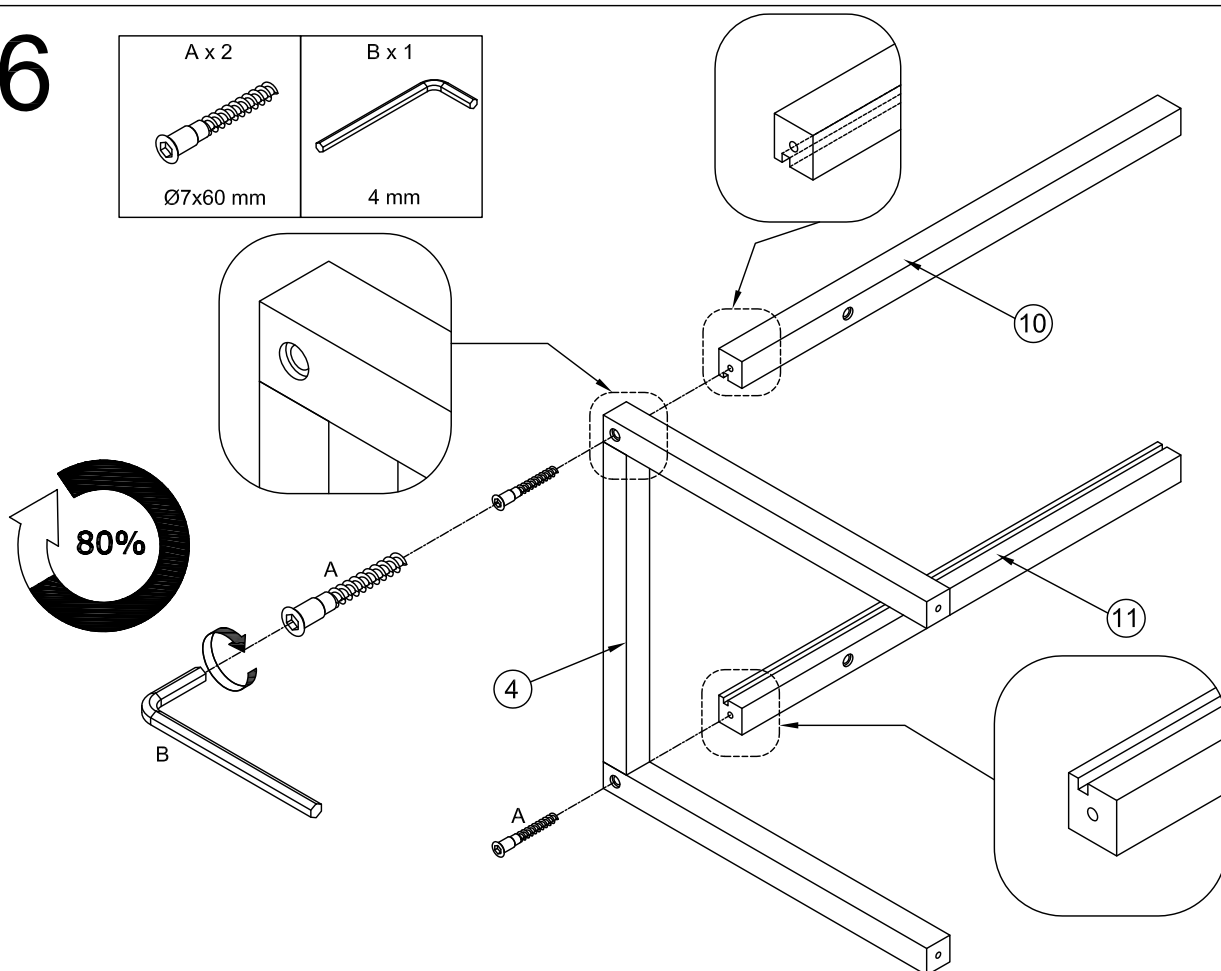
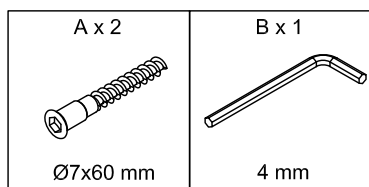
4



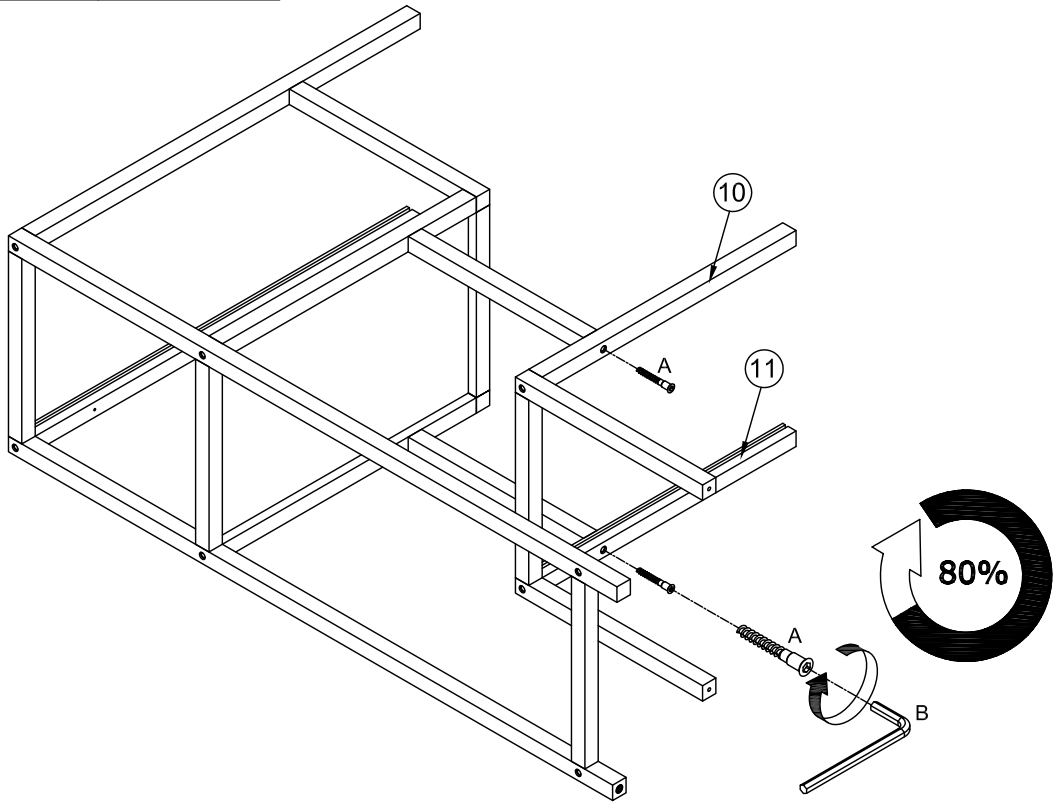
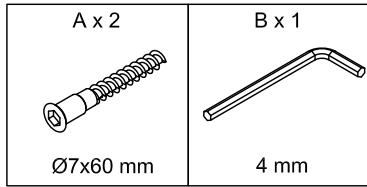
5



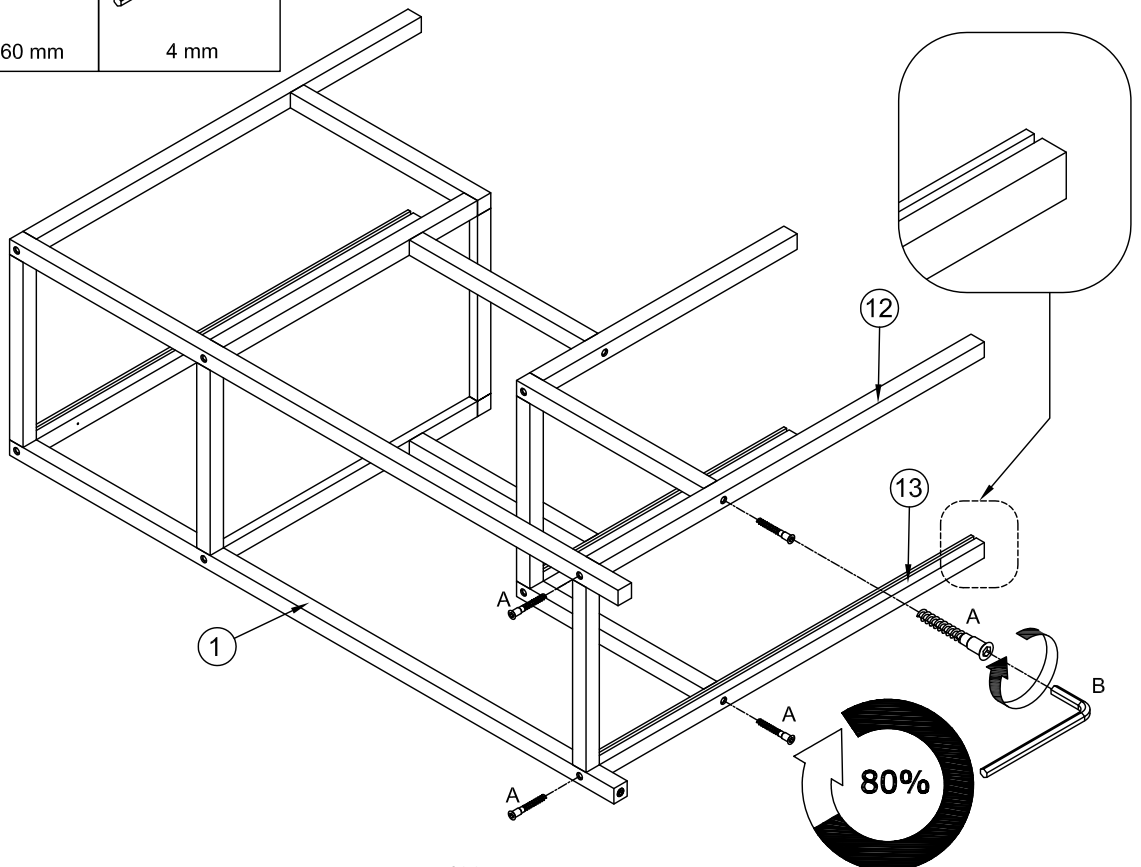
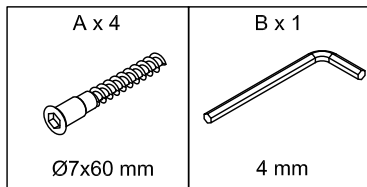
6



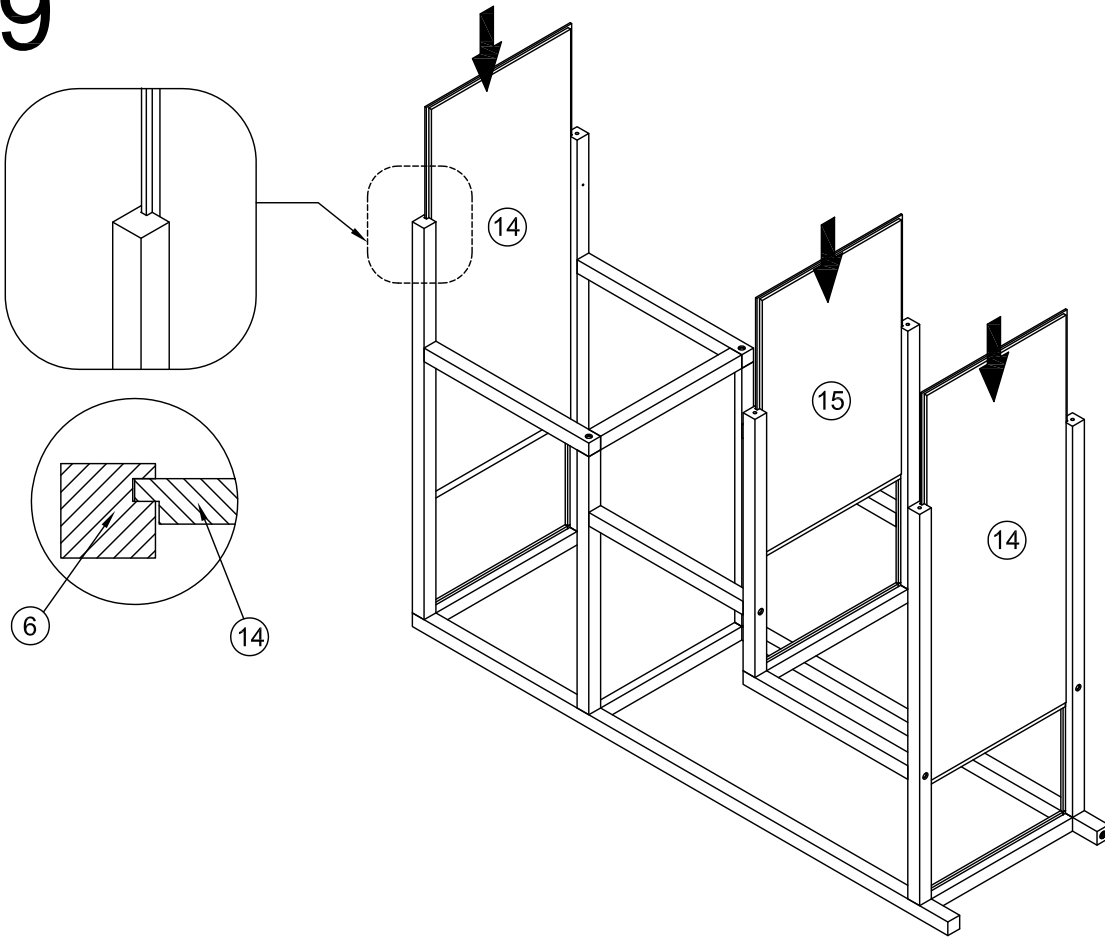
7



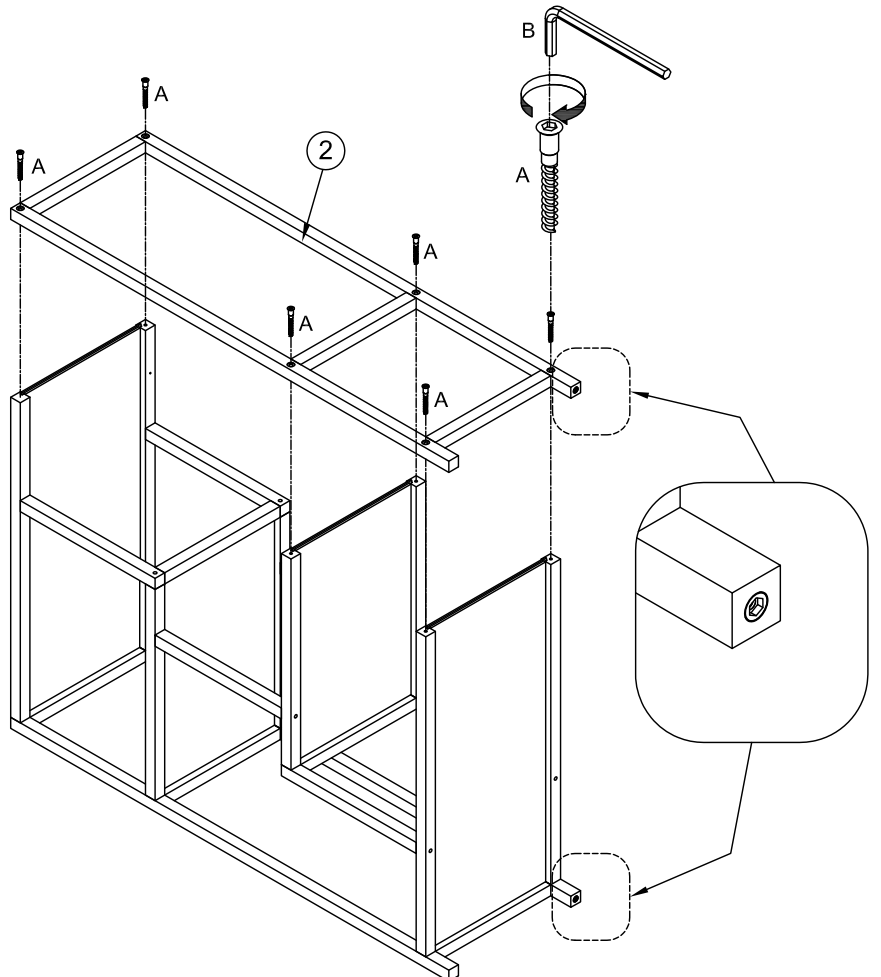
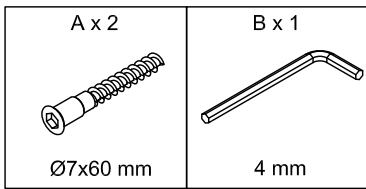
8



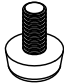

9

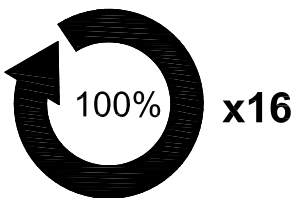
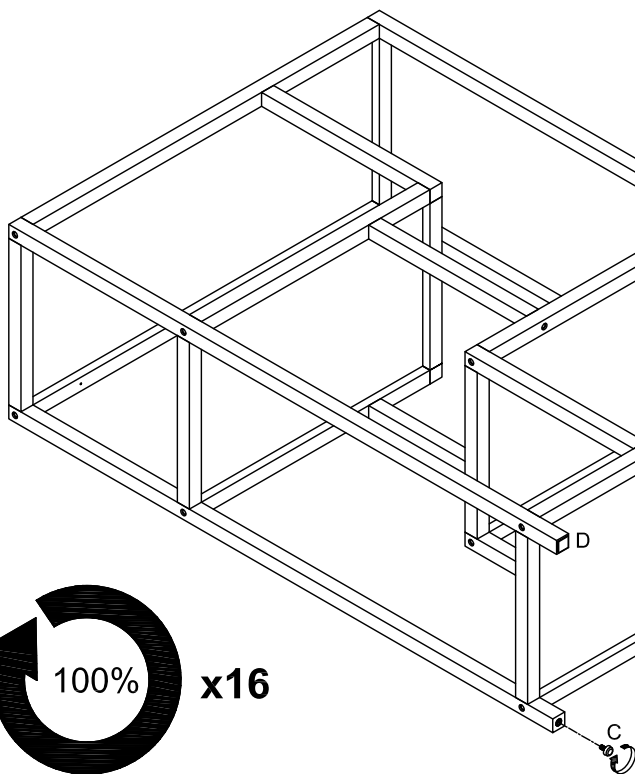


10


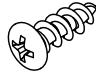


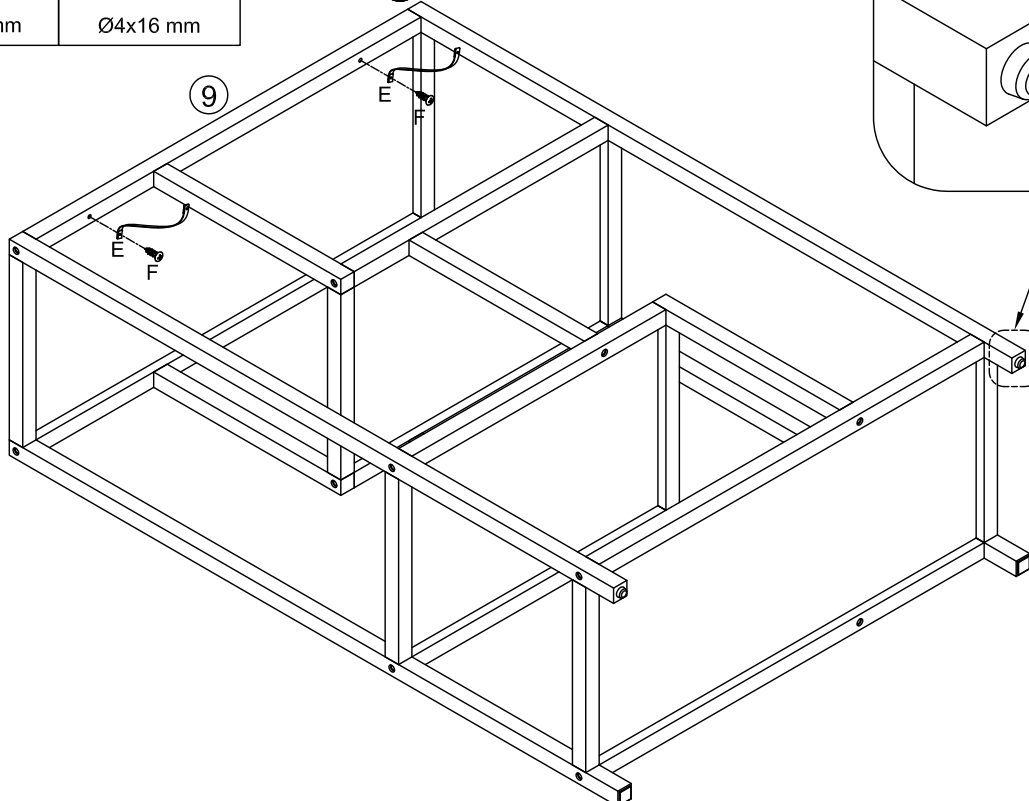
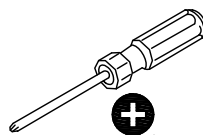
11

C x 2  Ø15x20 mm	D x 2  22x22x3 mm
---	--

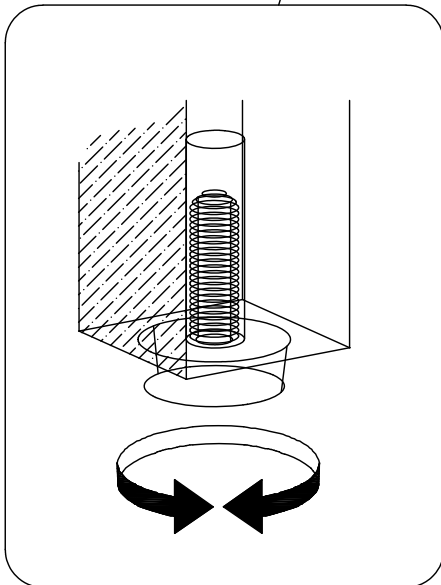
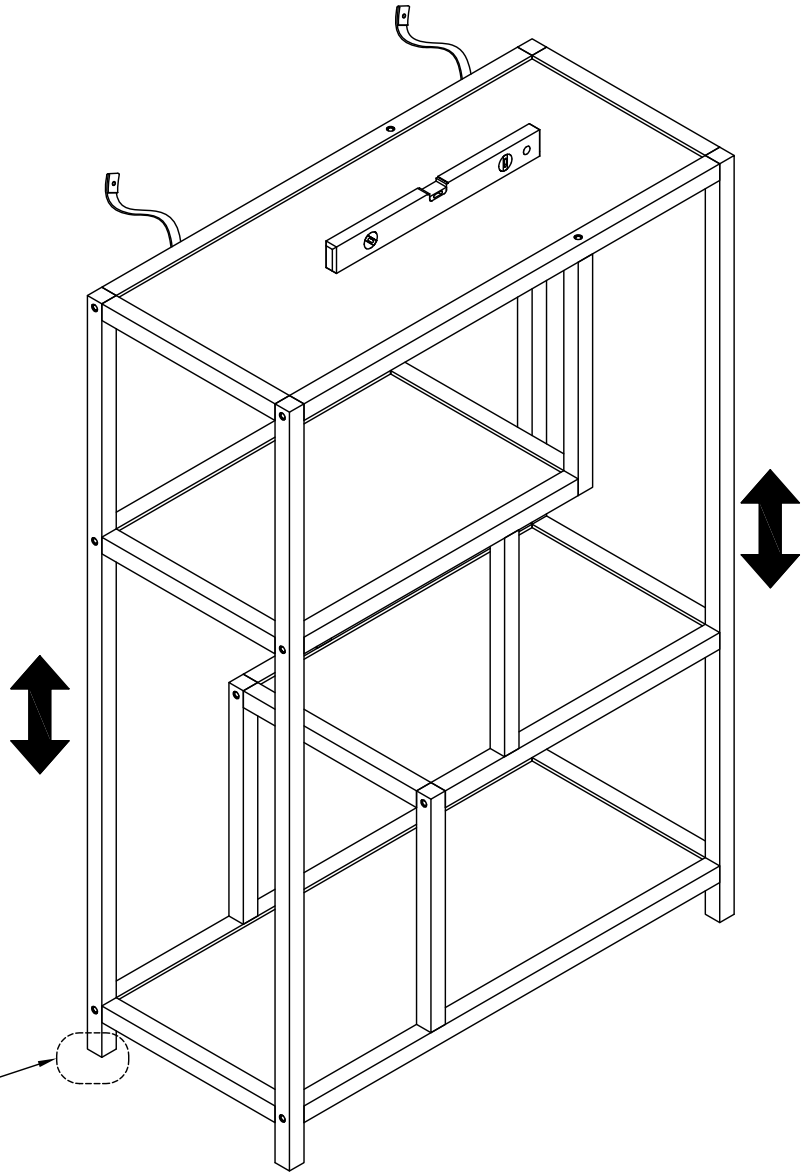
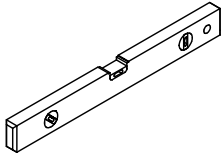


12

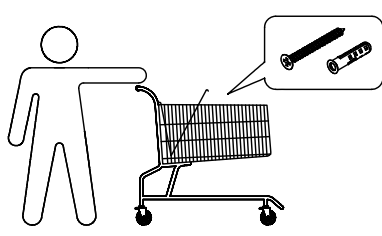
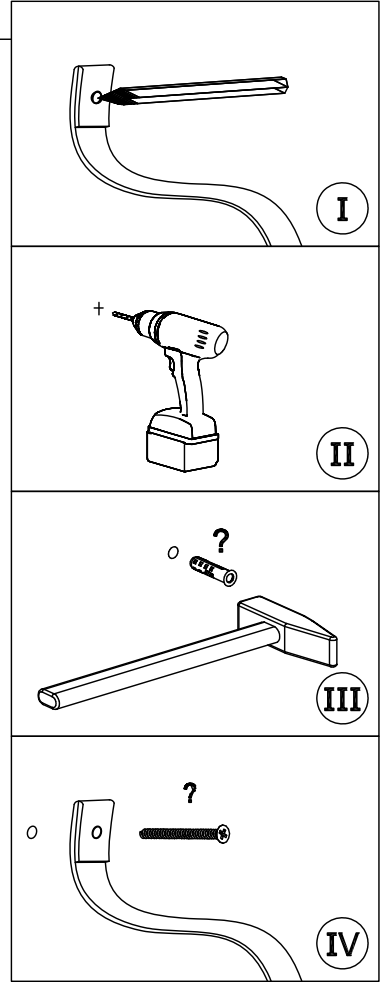
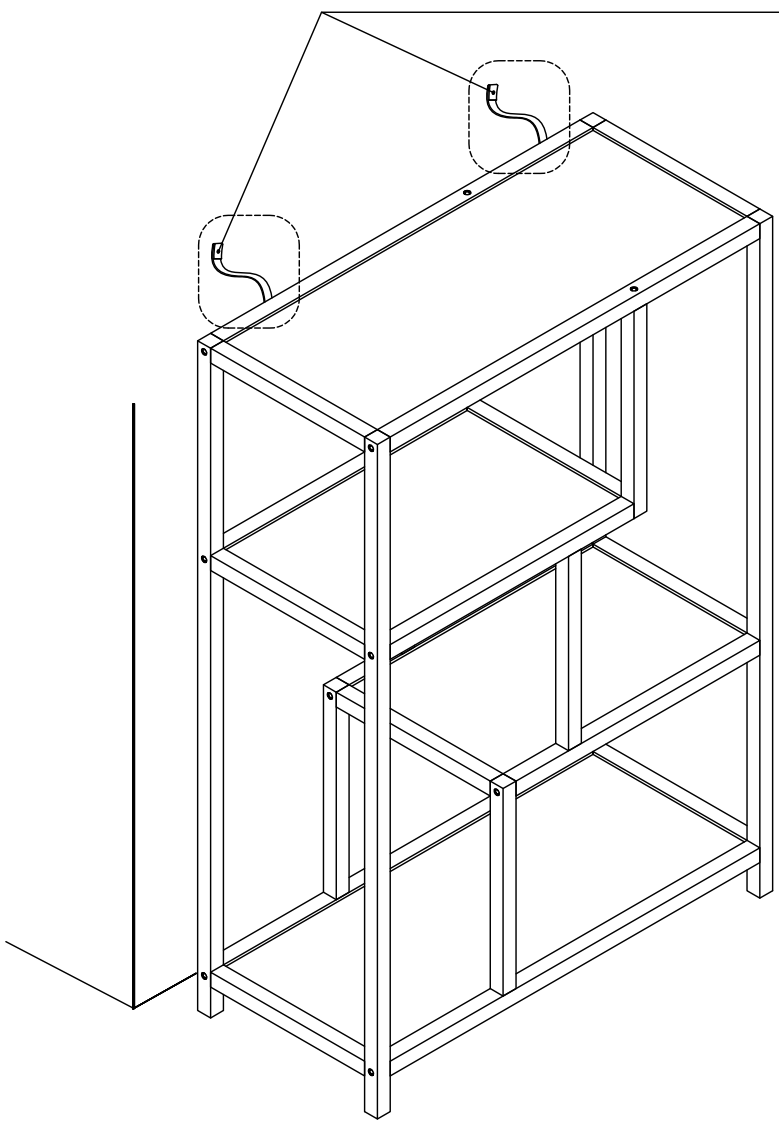
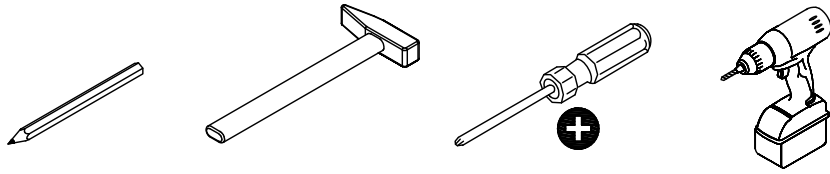
E x 2  142x19 mm	F x 2  Ø4x16 mm
---	--



13



14



15

