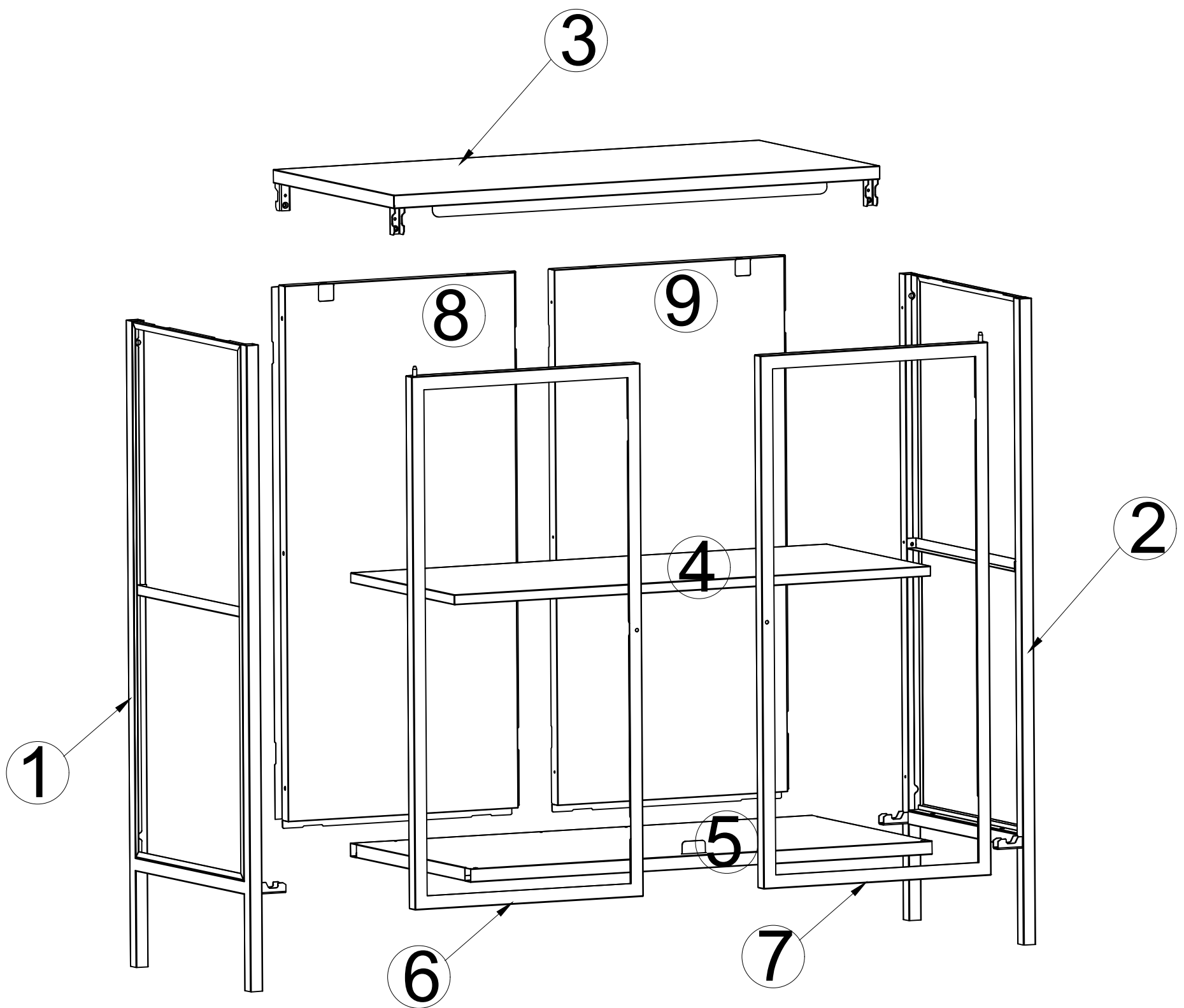
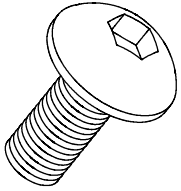
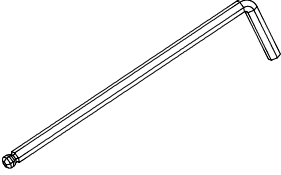
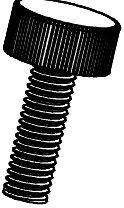
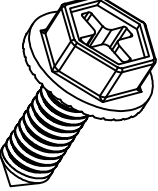
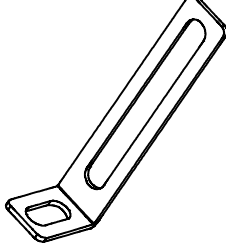
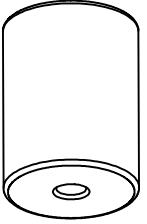
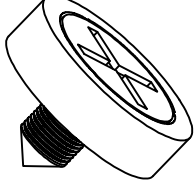
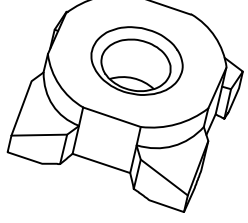
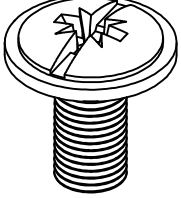
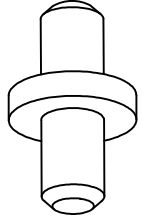
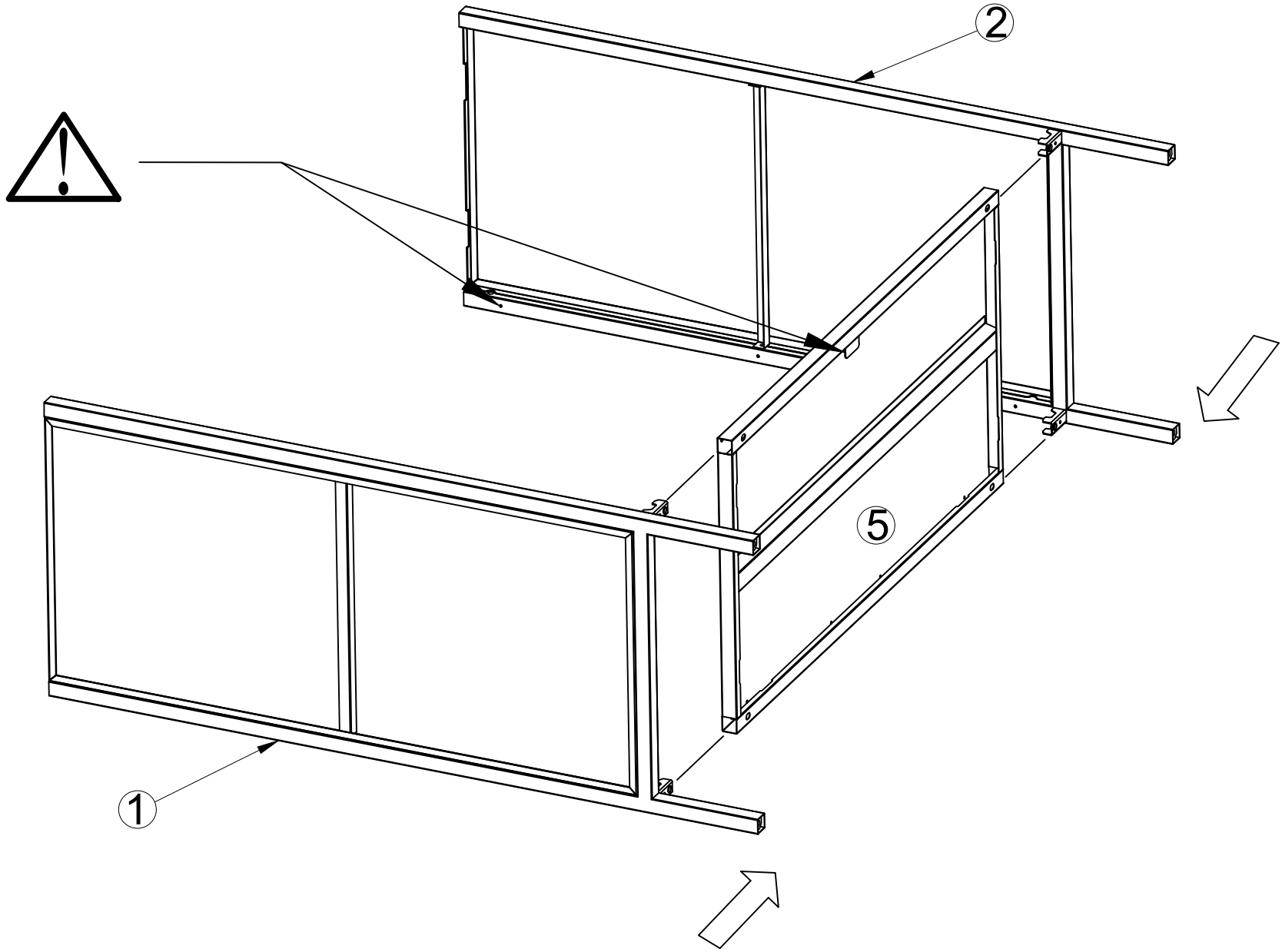


			✓
①	1	960x400x60	
②	1	960x400x60	
③	1	802x402x60	
④	1	785x345x15	
⑤	1	760x400x20	
⑥	1	792x375.5x20	
⑦	1	792x375.5x20	
⑧	1	807x402x20.6	
⑨	1	807x390x20.6	

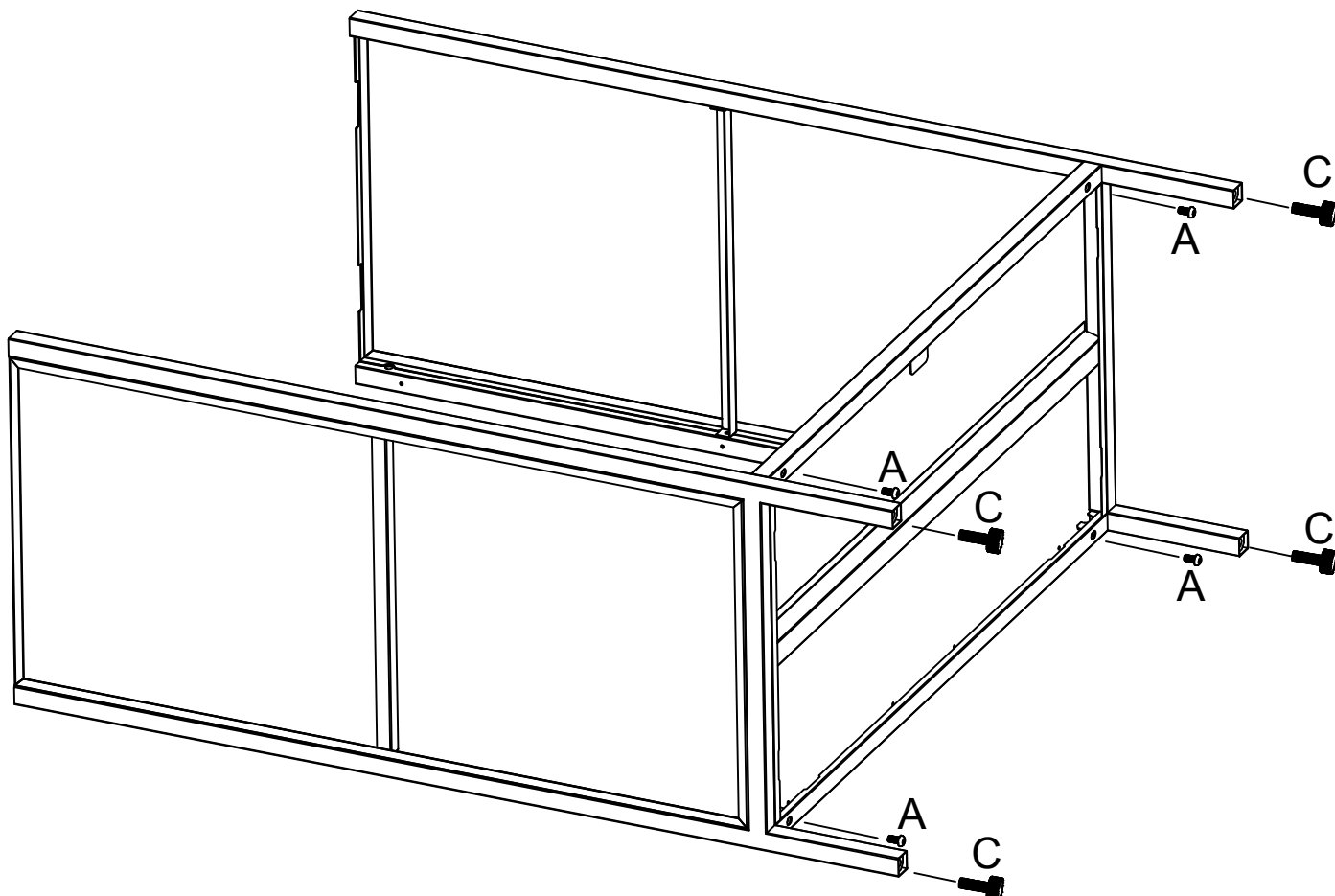
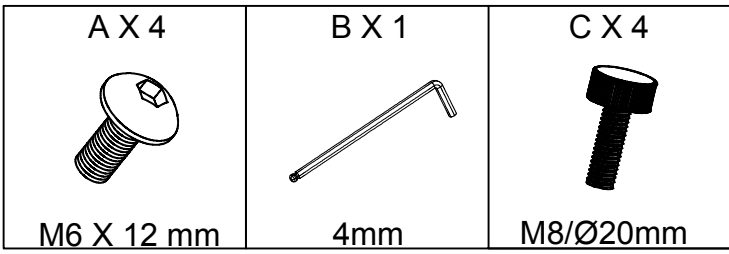


<p>A X 12</p>  <p>M6 X 12 mm</p>	<p>B X 1</p>  <p>4mm</p>	<p>C X 4</p>  <p>M8/Ø20mm</p>	<p>D X 10</p>  <p>M4 X 12 mm</p>	<p>E X 2</p>  <p>75x25x15mm</p>
<p>F X 2</p>  <p>Ø15 X 20 mm</p>	<p>G X 4</p>  <p>Ø13.5/M3.5mm</p>	<p>H X 3</p>  <p>M4X4.2mm</p>	<p>J X 5</p>  <p>M4 X 8 mm</p>	<p>K X 2</p>  <p>Ø6x20mm</p>

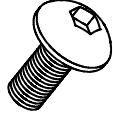

1

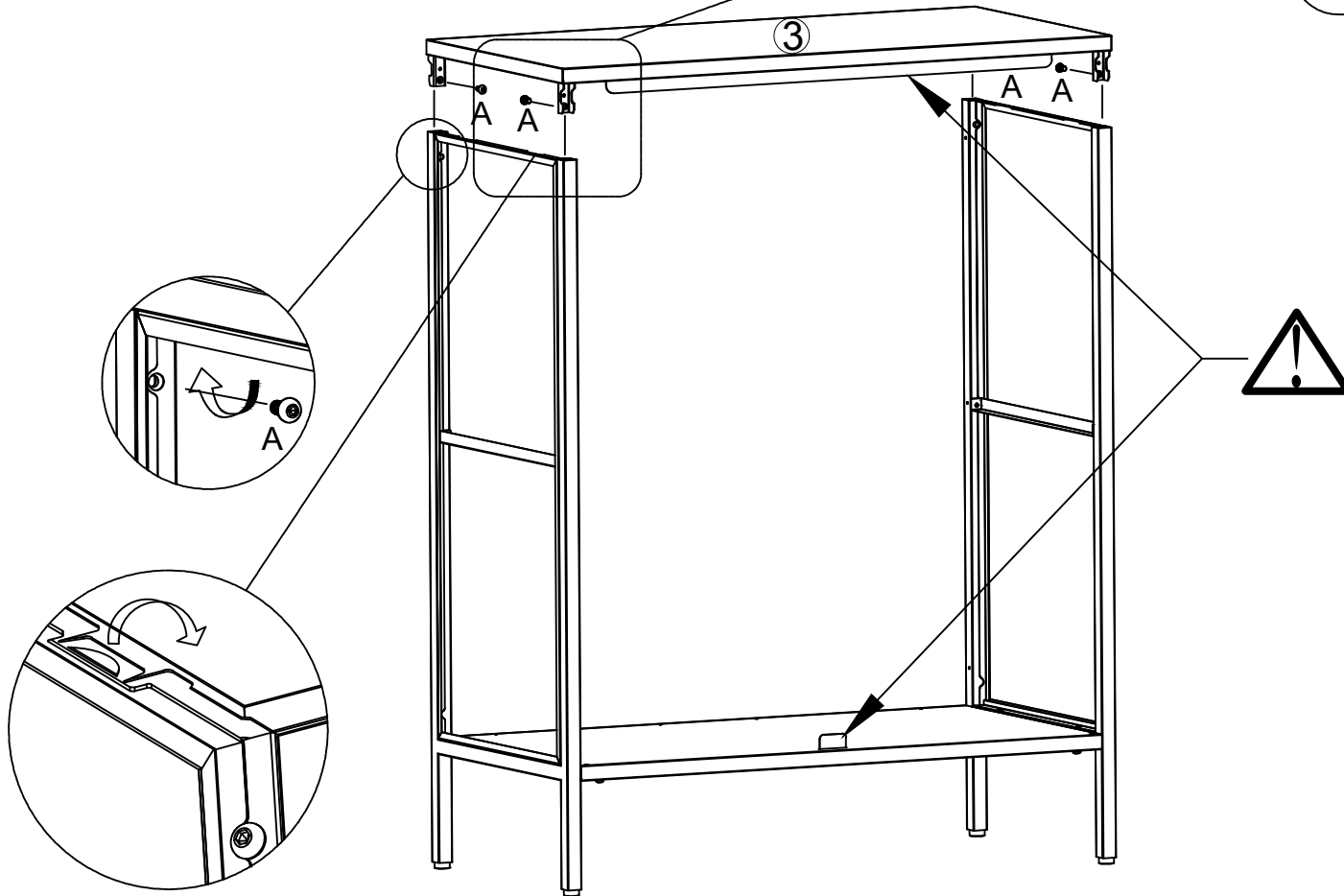
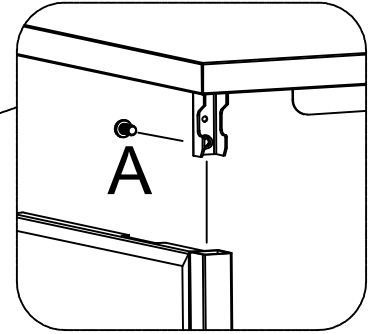


2

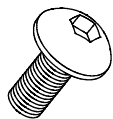

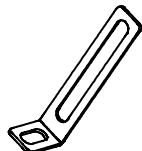



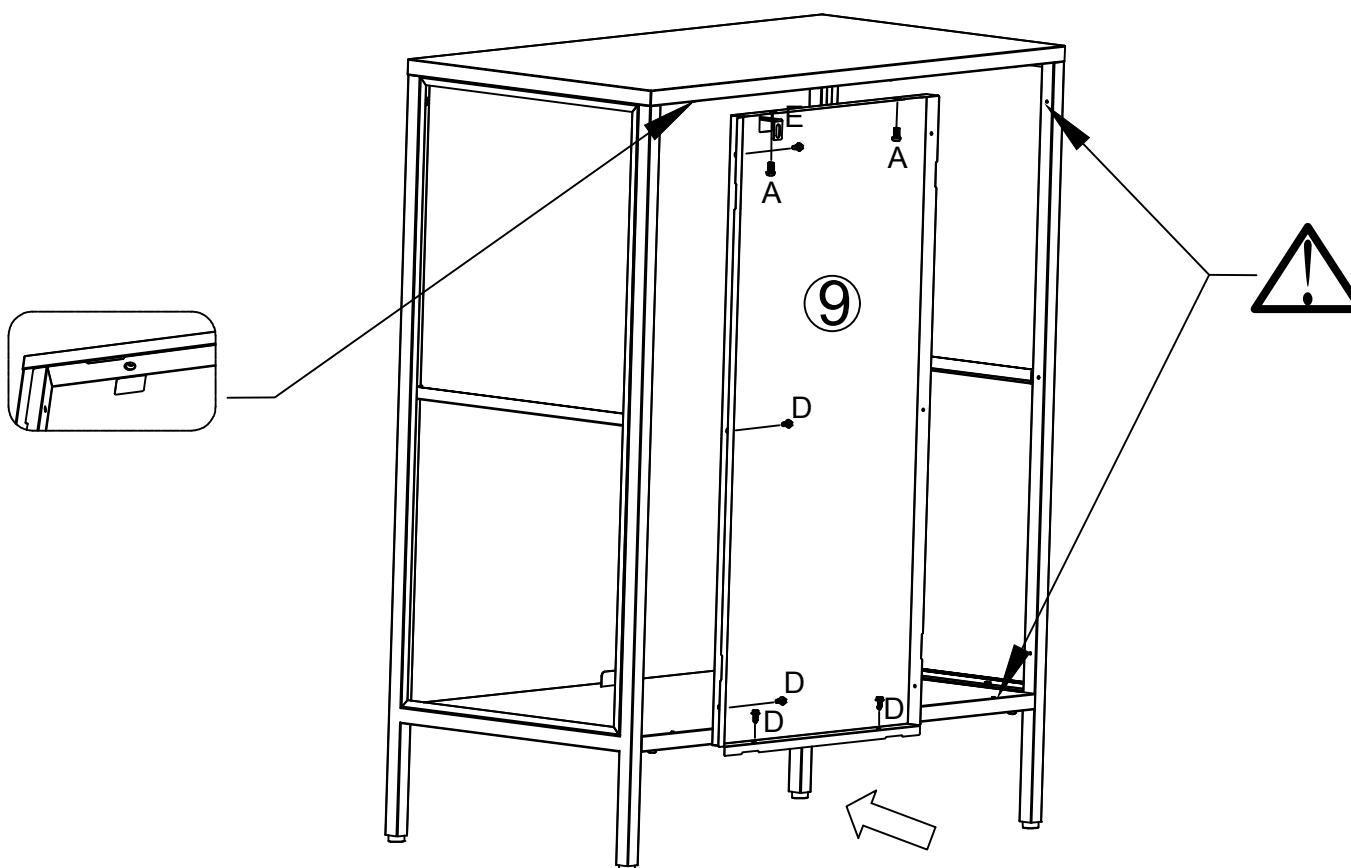
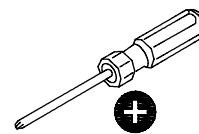
3

AX 4	BX 1
	
M6 X 12 mm	4mm

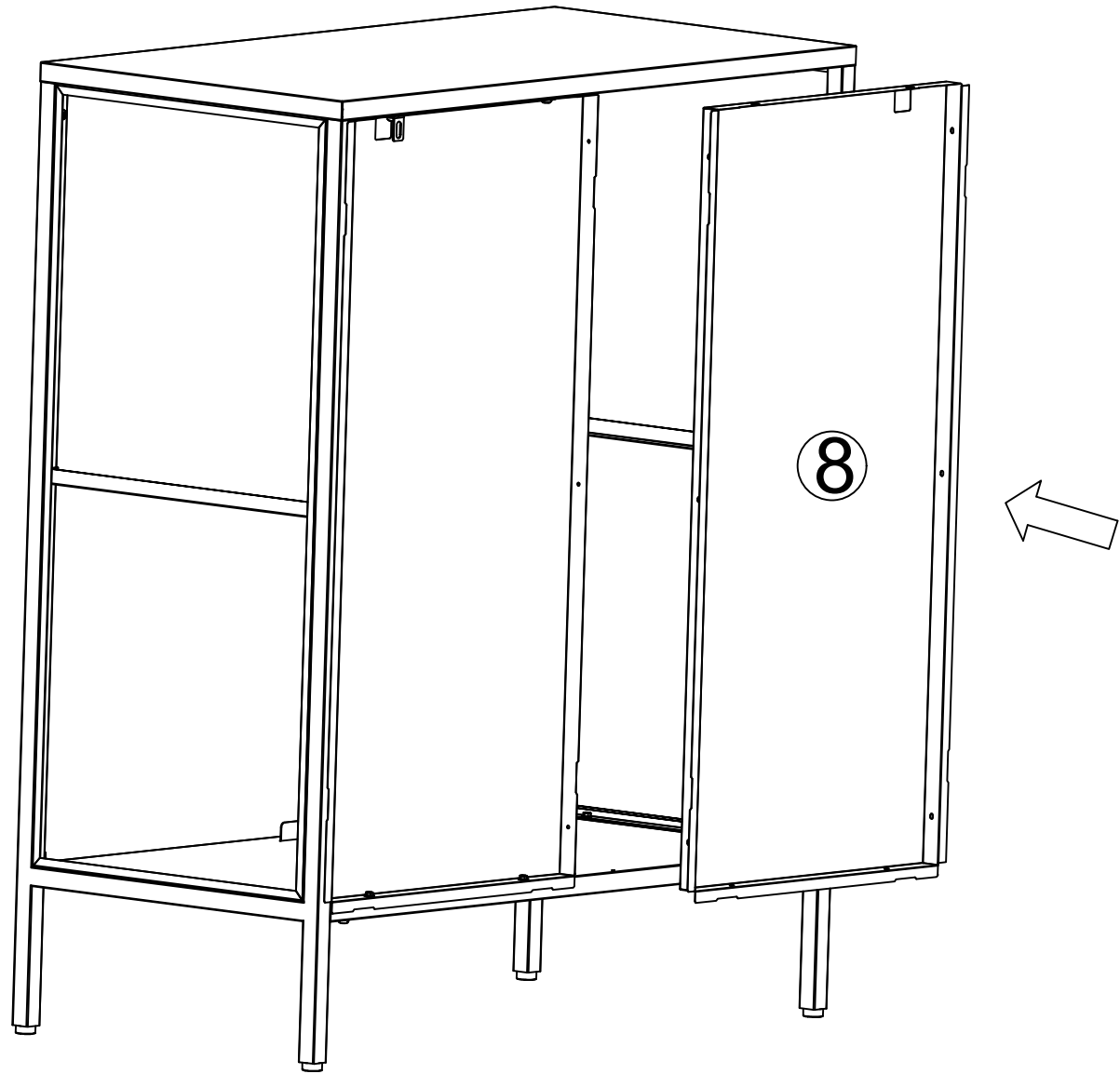


4

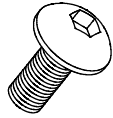

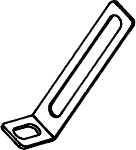



AX 2	BX 1	EX 1	DX 5
			
M6 X 12 mm	4mm	75x25x15mm	M4 X 12 mm

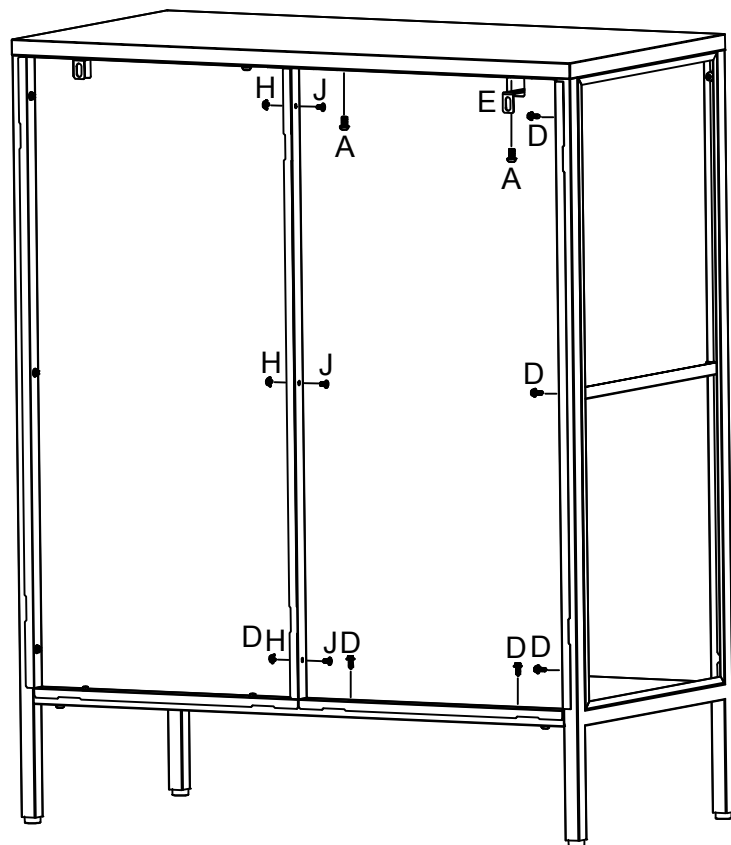
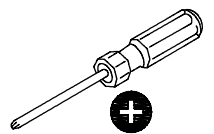


5

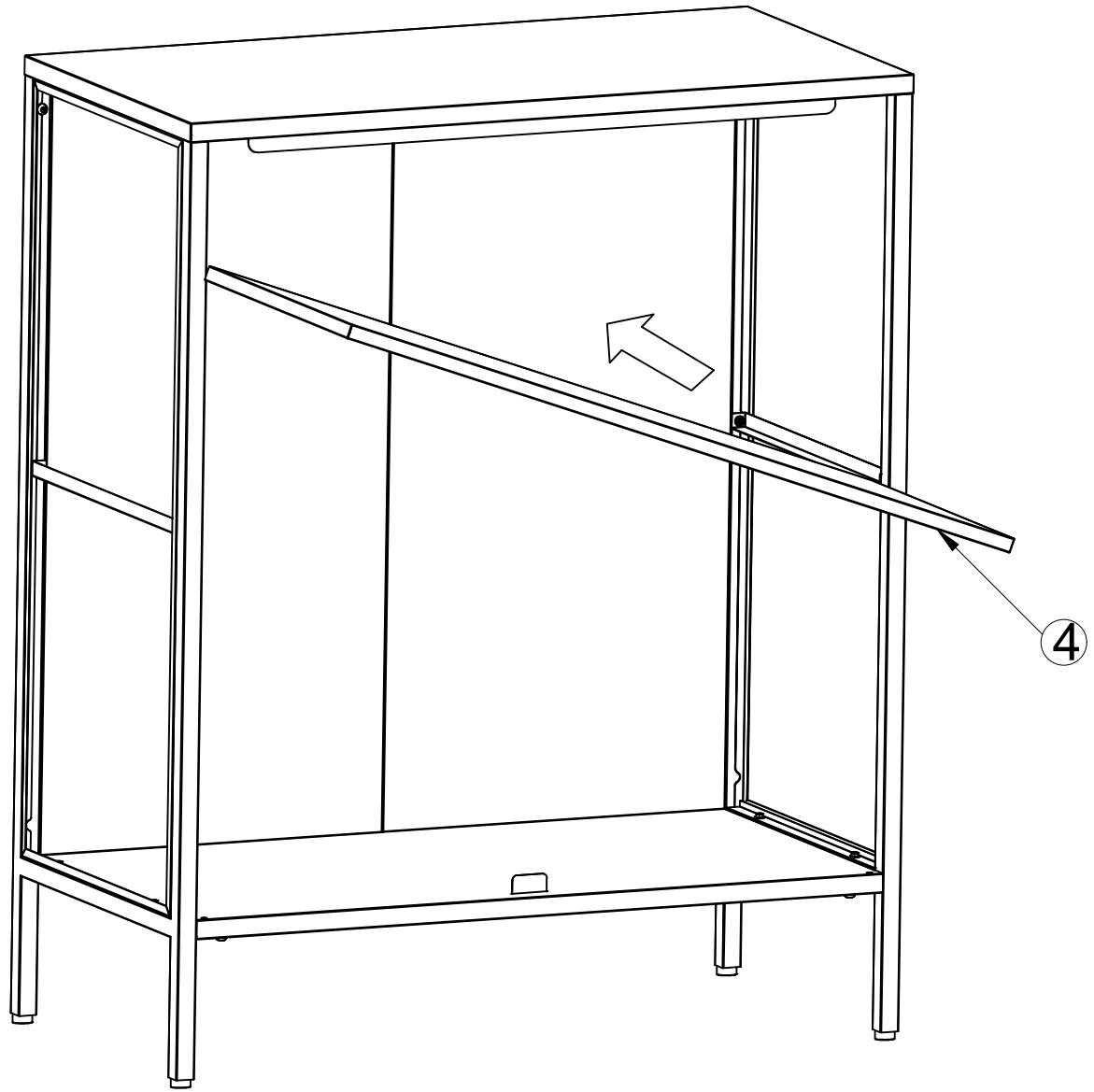


6

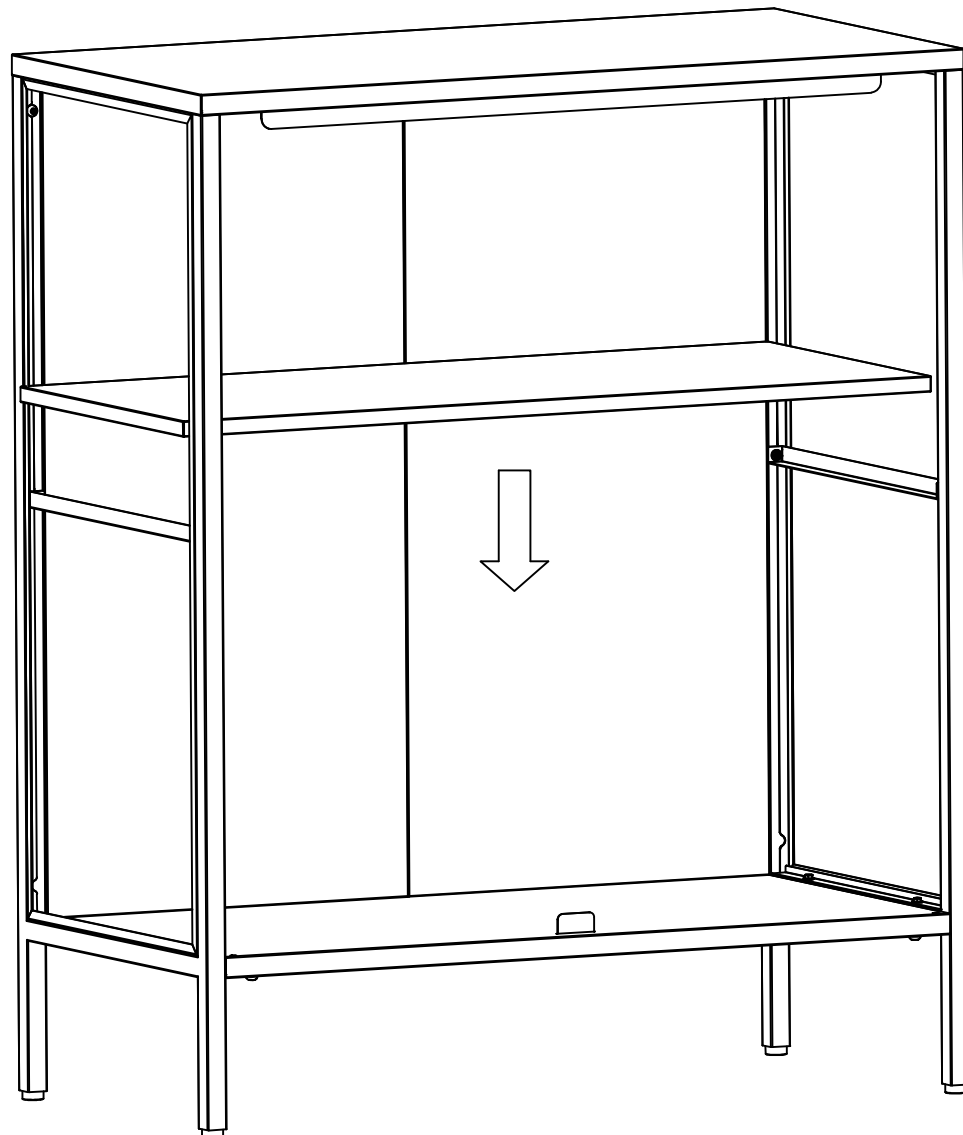
AX 2	BX 1	EX 1	DX 5	HX 3	JX 3
					
M6 X 12 mm	4mm	75x25x15mm	M4 X 12 mm	M4X4.2mm	M4 X 8 mm



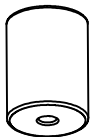
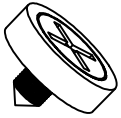

7

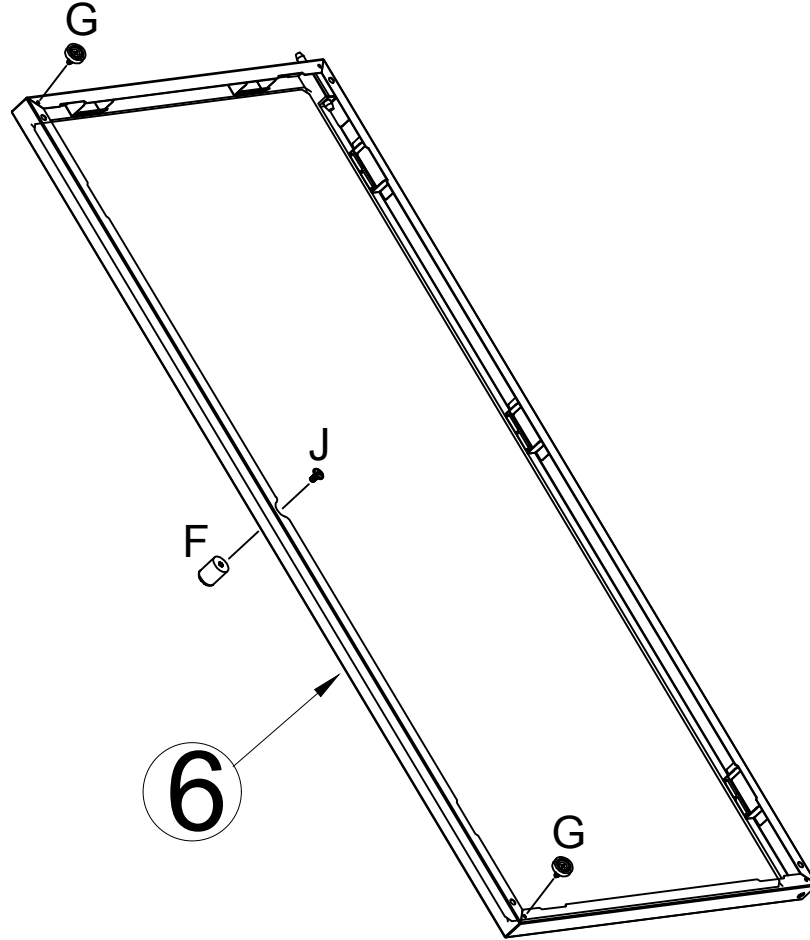
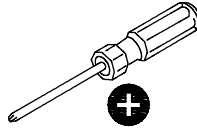


8

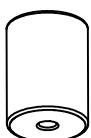
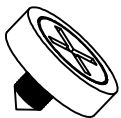
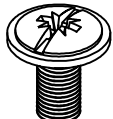


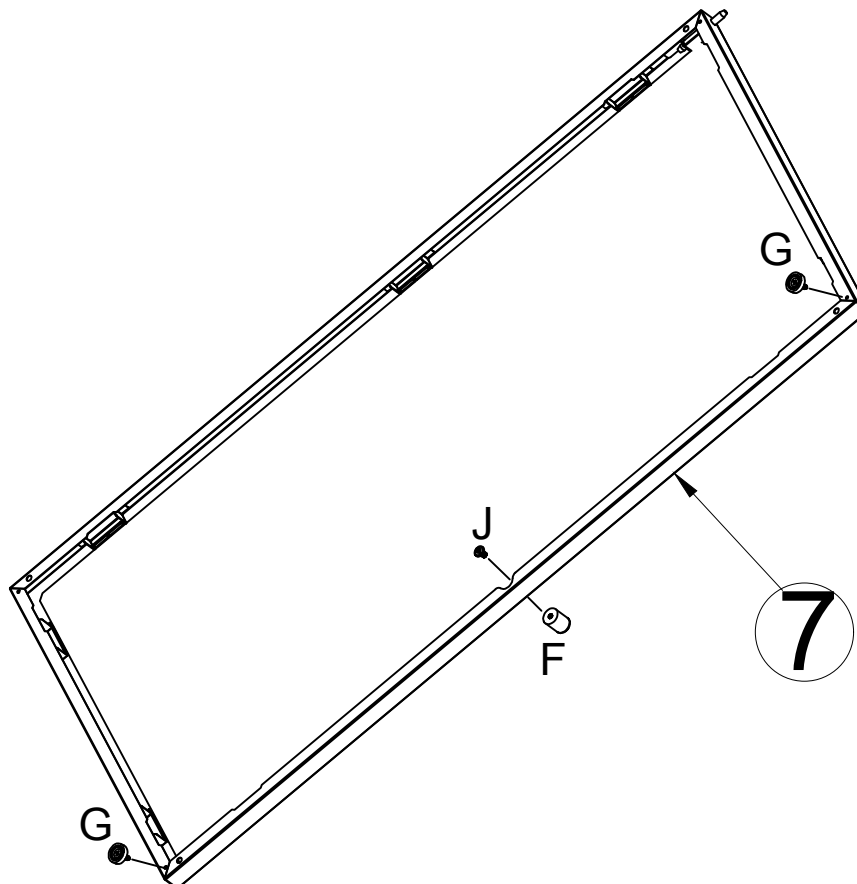
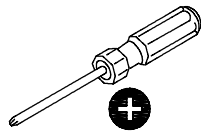
9

FX 1  Ø15 X 20 mm	G X 2  Ø13.5/M3.5mm	J X 1  M4 X 8 mm
----------------------------------------------------------------------------------------------------------	------------------------------------------------------------------------------------------------------------	---------------------------------------------------------------------------------------------------------

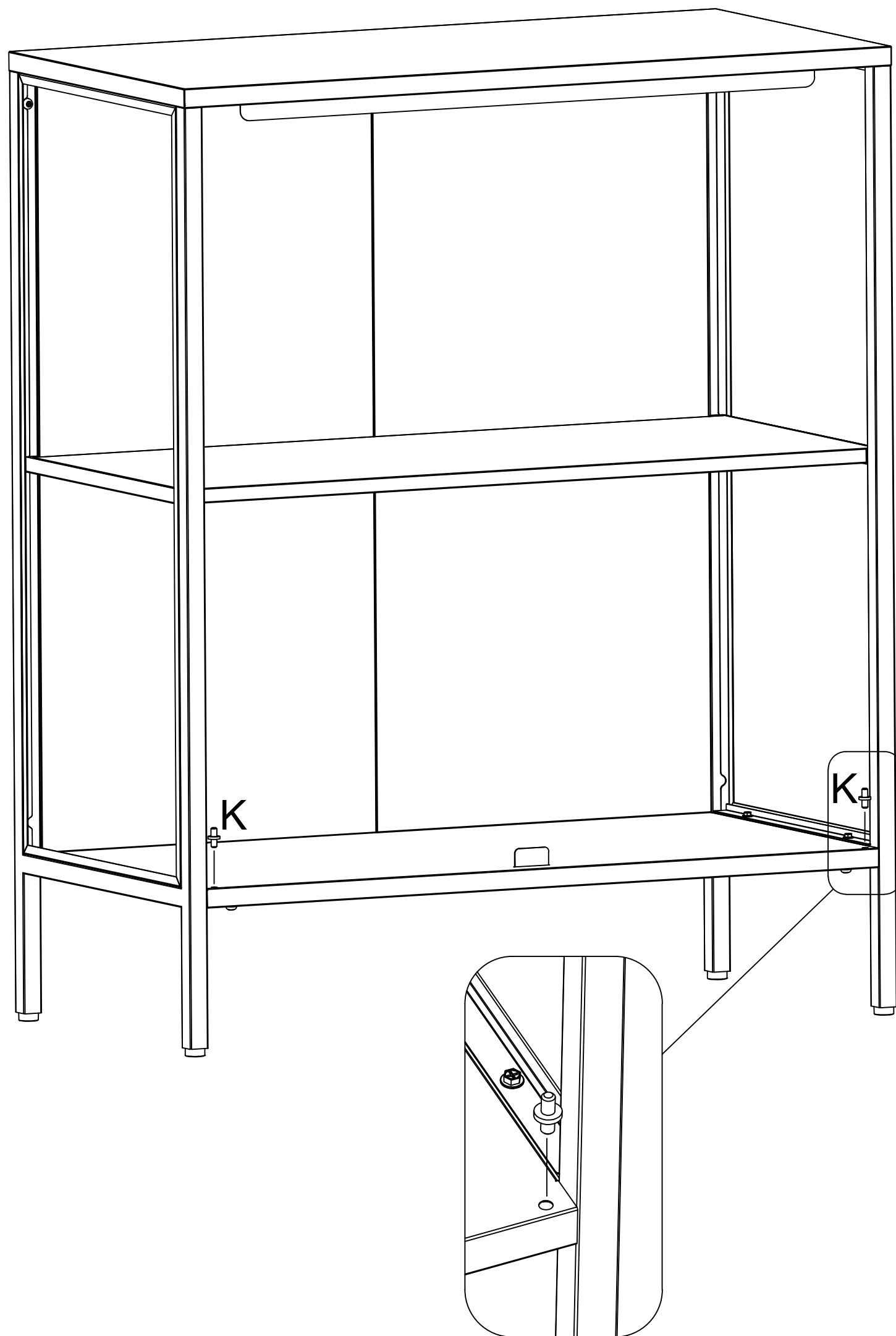
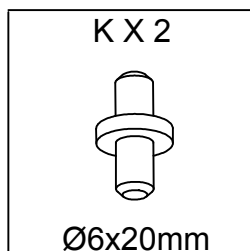


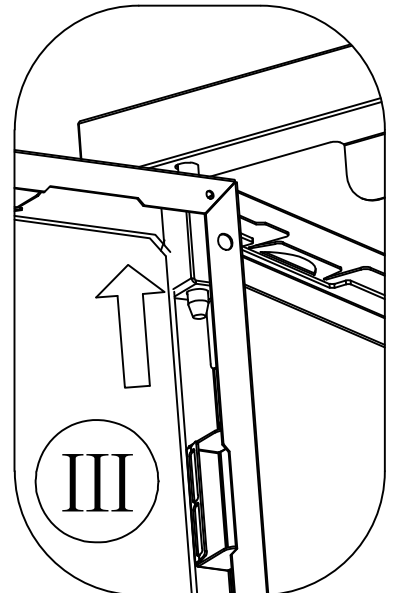
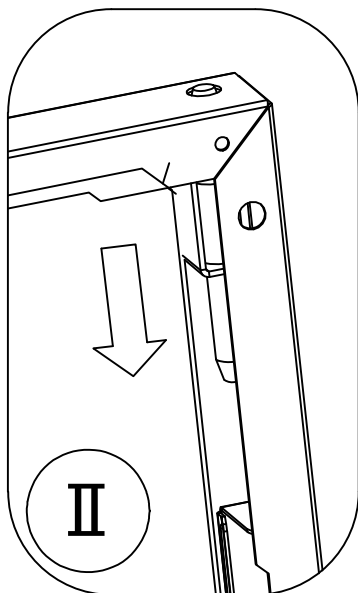
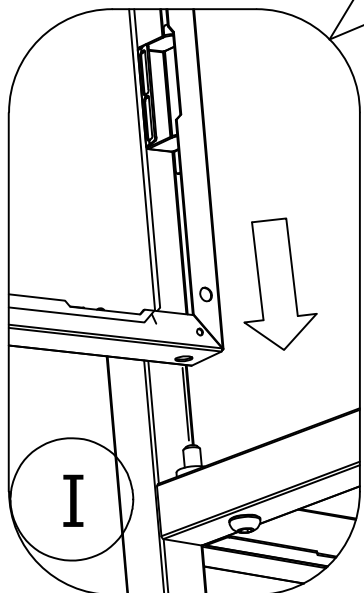
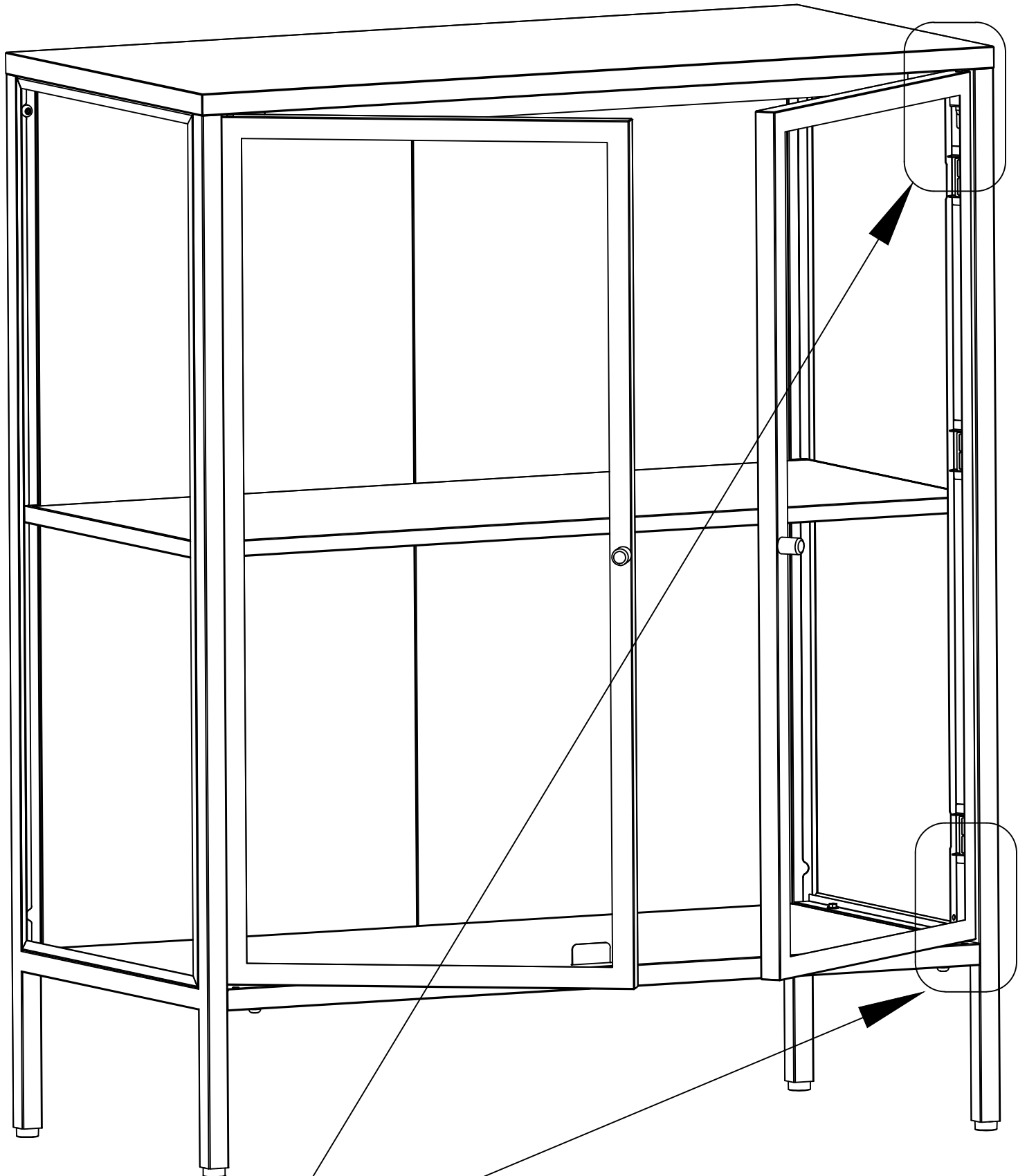
10

FX 1  Ø15 X 20 mm	G X 2  Ø13.5/M3.5mm	J X 1  M4 X 8 mm
------------------------------------------------------------------------------------------------------------	--------------------------------------------------------------------------------------------------------------	-----------------------------------------------------------------------------------------------------------

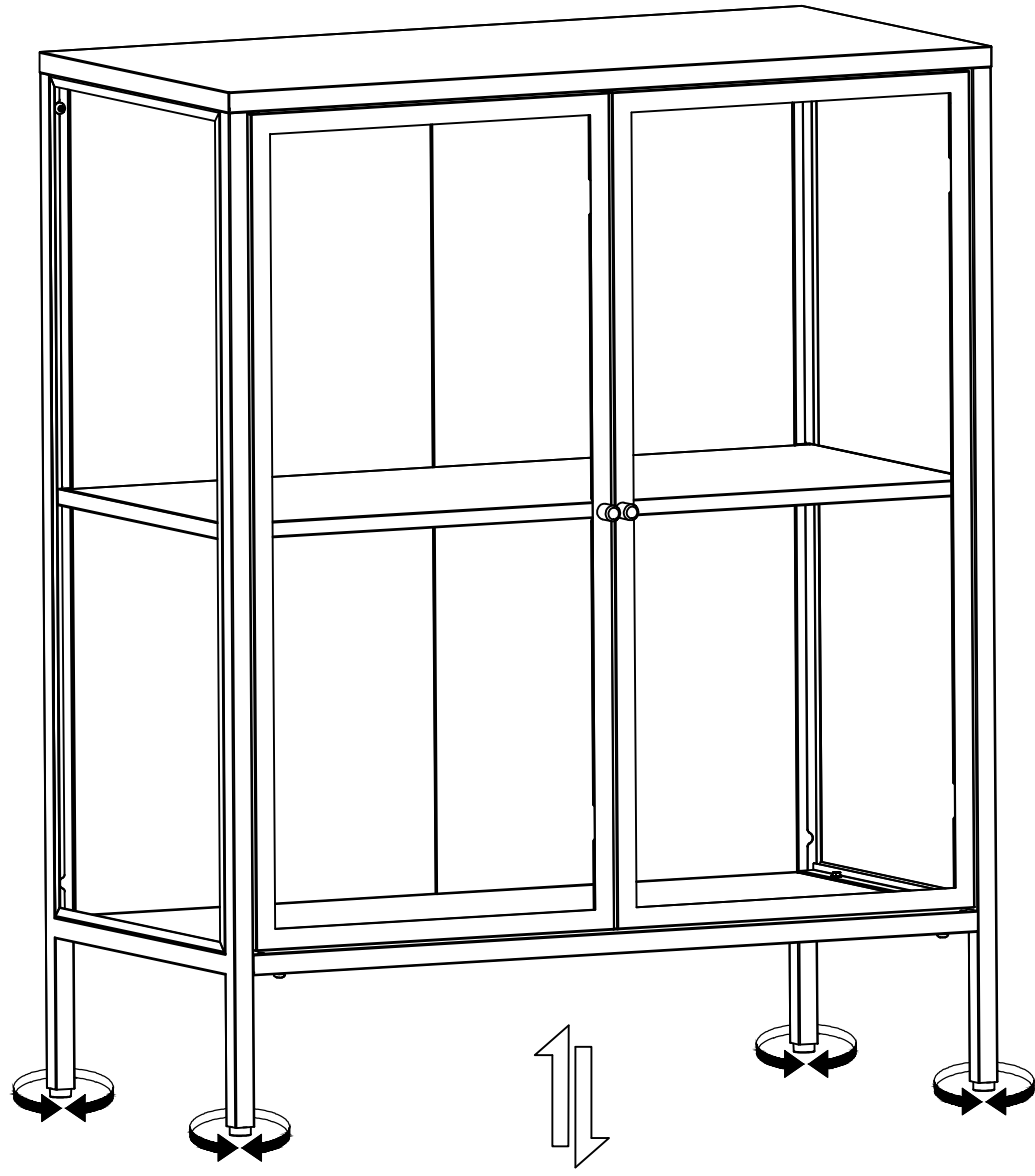


11

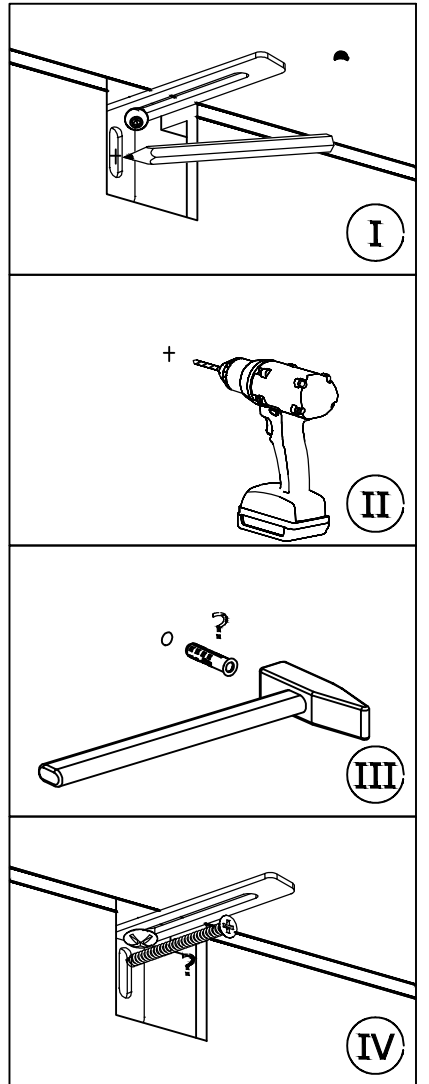
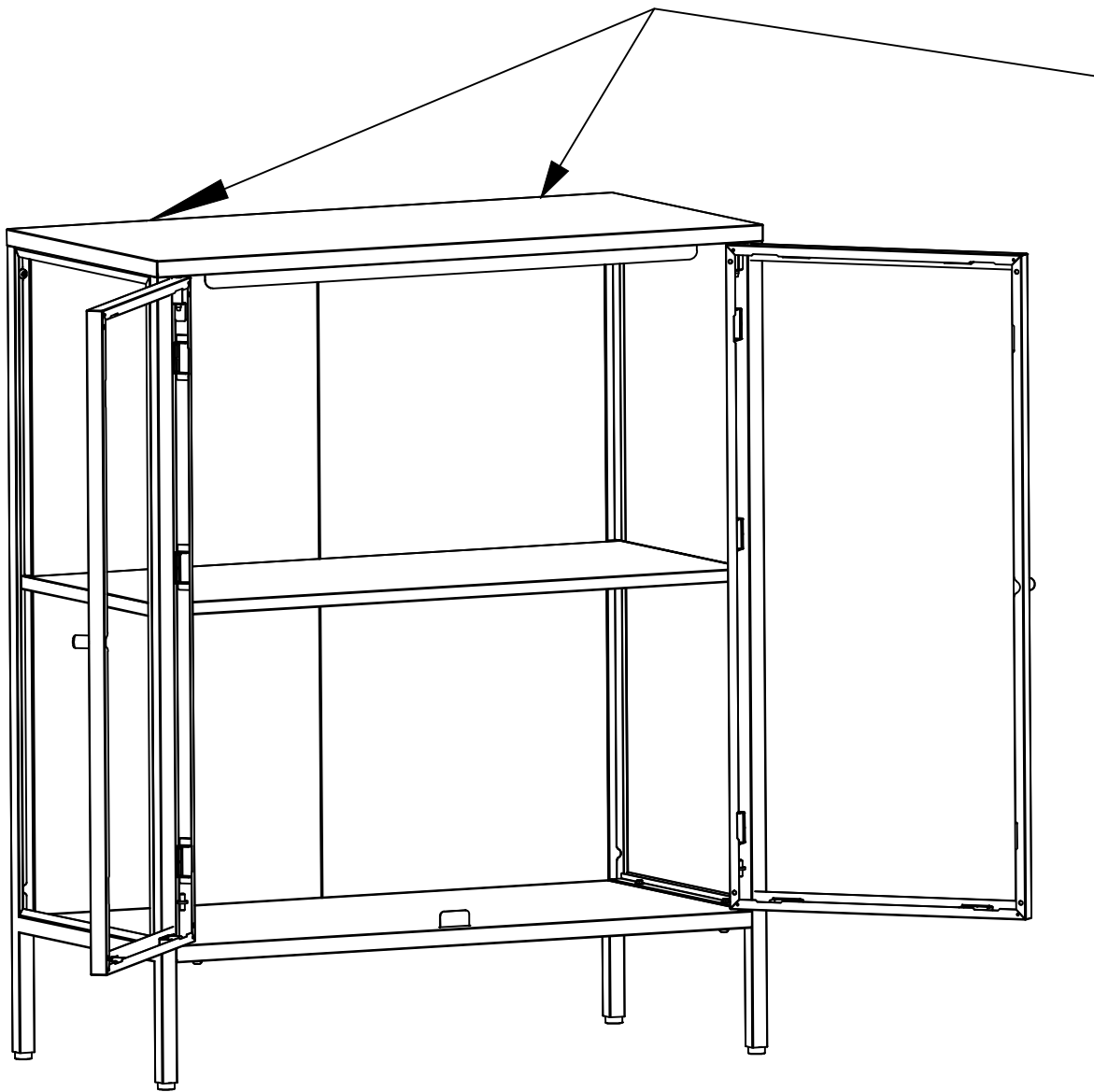




13



14



15

