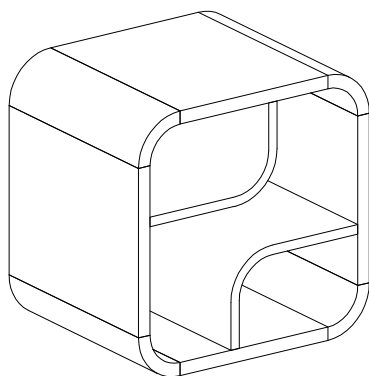


ASSEMBLY INSTRUCTIONS

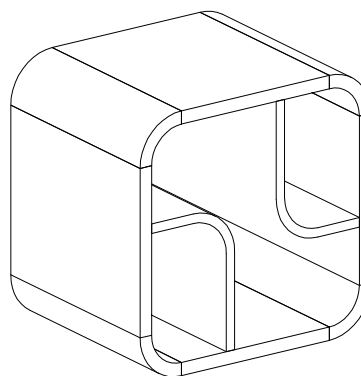
Please read the instructions carefully for correct and safe assembly.

1

Ⓐ BODY



OR



X1

2

⓪1 FELT PAD

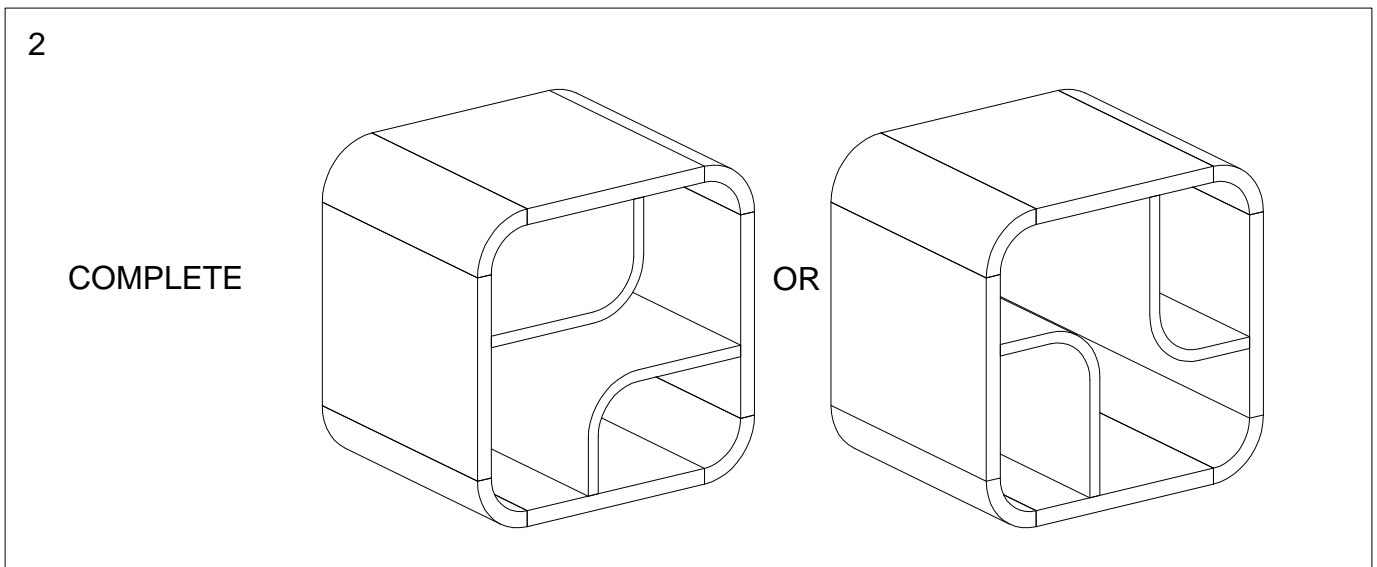
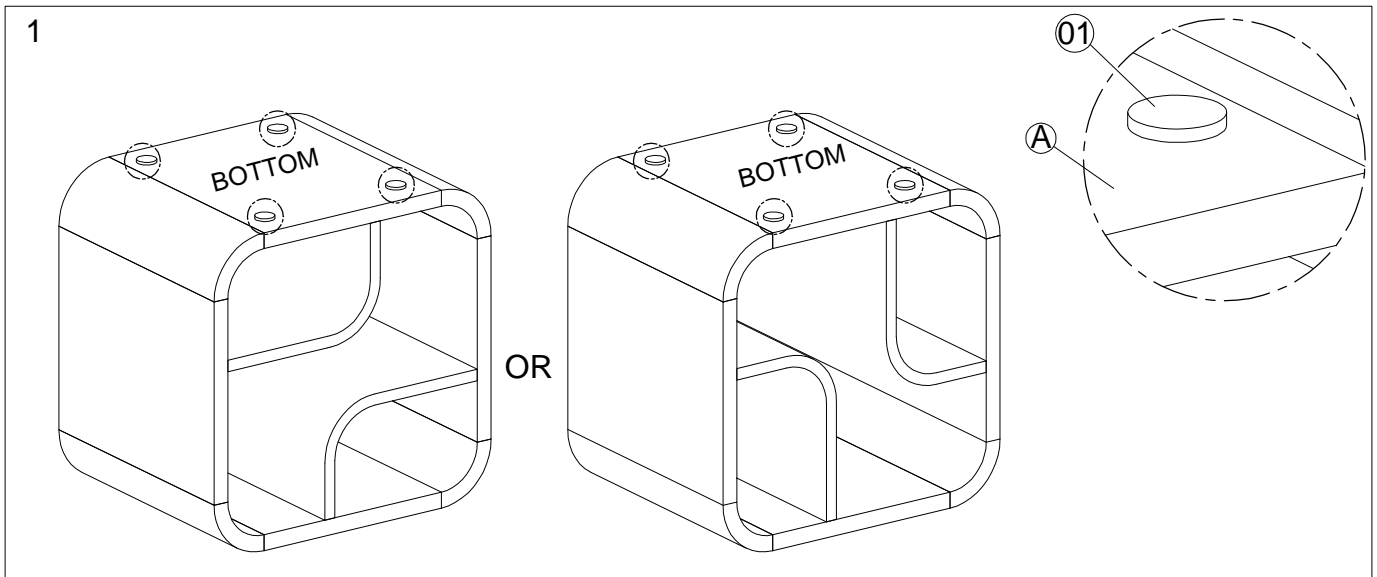


X4

Thank you for
purchasing this
Zuiver product.

ASSEMBLY INSTRUCTIONS

Please read the instructions carefully for correct and safe assembly.



**Thank you for
purchasing this
Zuiver product.**