

TRIPOD | LIGHT STAND

Designed by Søren Ravn Christensen



Light stand
Comes with E26 / E27



Tripod base: Flip legs 180°



DIMENSIONS

Tripod floor (Ø × H): 66 × 109 cm / 26 × 42.9"
Tripod table (Ø × H): 19 × 36 cm / 7.5 × 14.2"
Tripod base (Ø × H): 15.8 × 18.6 cm / 6.2 × 7.3"
24 × 12.5 cm / 9.4 × 4.9"



MATERIAL
Aluminium



WEIGHT INCL. PACKAGING

Tripod floor: 800 g / 1.8 lb
Tripod table: 630 g / 1.4 lb
Tripod base: 610 g / 1.3 lb



LIGHT SOURCE

E27 - max 15W LED (not included)



PACKAGING (L × W × H)

Tripod floor: 7.7 × 42.5 × 7.6 cm / 3 × 16.7 × 3"
Tripod table: 6.8 × 40.1 × 6.9 cm / 2.7 × 15.8 × 2.7"
Tripod base: 16.7 × 17.2 × 6.6 cm / 6.6 × 6.8 × 2.6"



ASSEMBLY TIME

5 min - video guide at umage.com



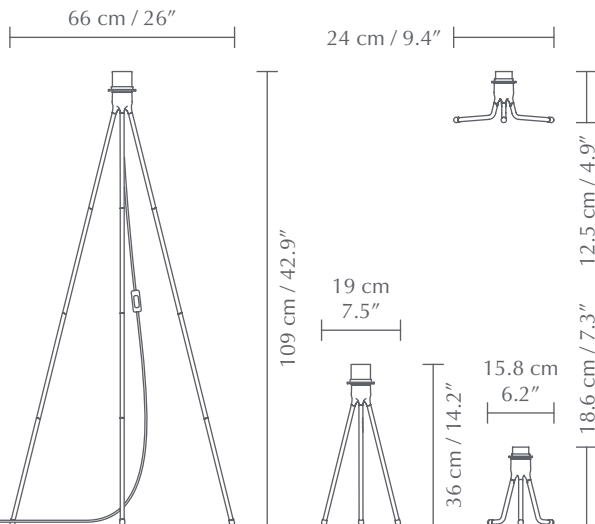
MEDIA KIT

Photos and press material
Download at umage.presscloud.com



ORDERING INFORMATION

| | |
|----------------------------|-------|
| Tripod floor white | #4015 |
| Tripod floor black | #4016 |
| Tripod floor brushed brass | #4194 |
| Tripod floor brushed steel | #4195 |
| Tripod table white | #4021 |
| Tripod table black | #4022 |
| Tripod table brushed brass | #4205 |
| Tripod table brushed steel | #4206 |
| Tripod base white | #4053 |
| Tripod base black | #4054 |
| Tripod base brushed brass | #4215 |
| Tripod base brushed steel | #4216 |



Colour variations



white
(RAL: 9003)



black
(RAL: 9005)



brushed
brass



brushed
steel


UMAGE

The specifications and dimensions are subject to change without notice. Document date: 04-01-2022 | info@umage.com | umage.com
Havnegade 29, DK-1058 Copenhagen K | +45 31 39 31 31 (tel) & 185 Wythe Ave 2FL, Brooklyn, NY 11249 | +1 646-790-7171 (tel)

TRIPOD | LIGHT STAND

Designed by Søren Ravn Christensen



A BEAUTIFUL LIGHT STAND

The Tripod collection lets you turn your UIMAGE lampshade into a table or floor lamp in just seconds. The ingenious construction of the Tripod ships in compact packaging and snaps together automatically in a few seconds upon unpacking.

Find more info on our website umage.com

