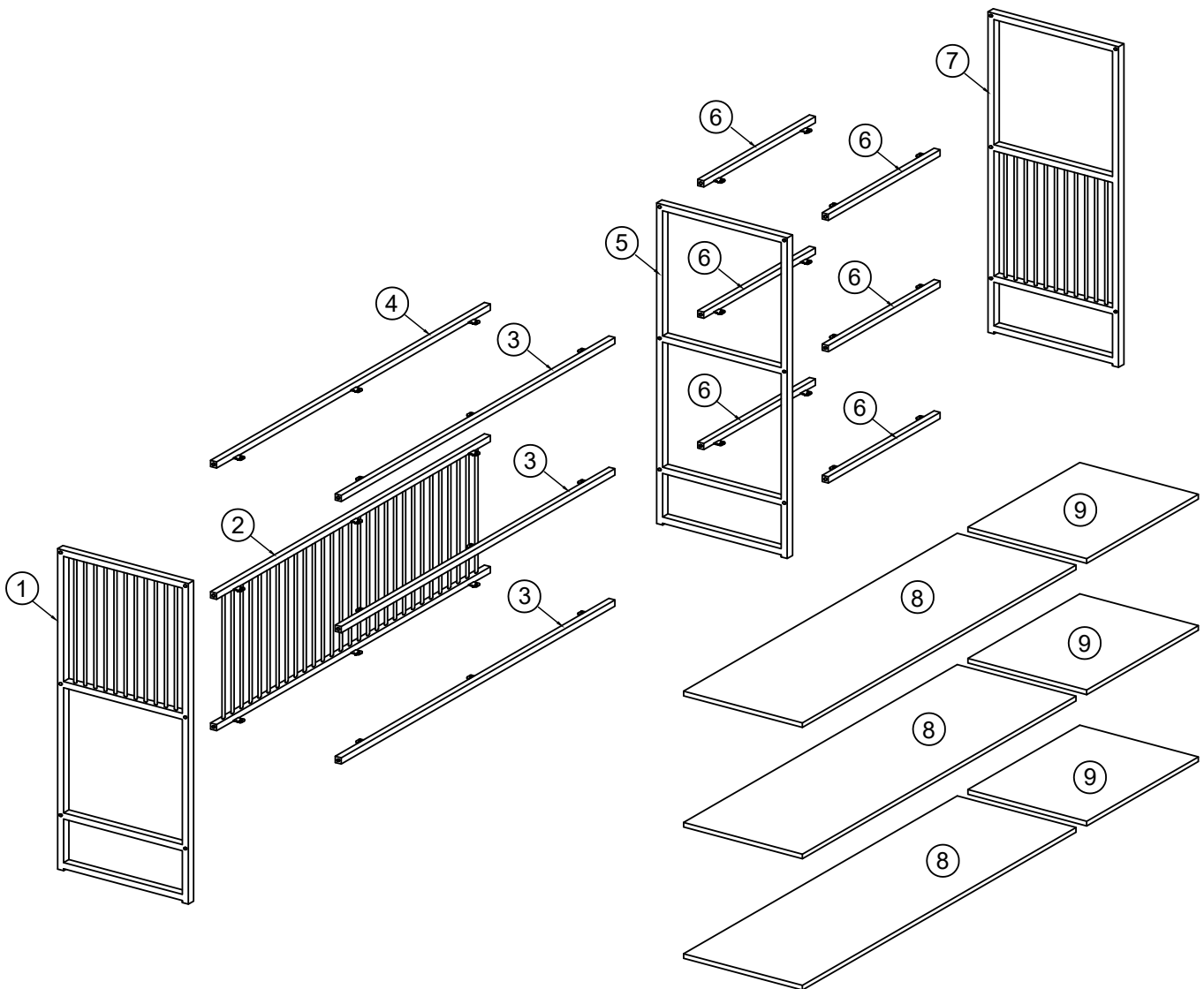
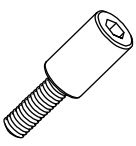
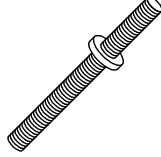
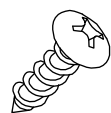
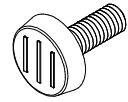
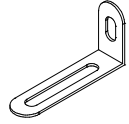
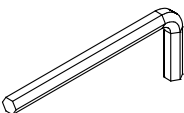


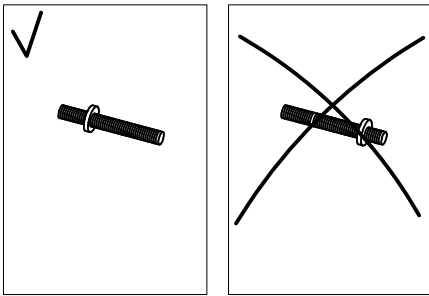
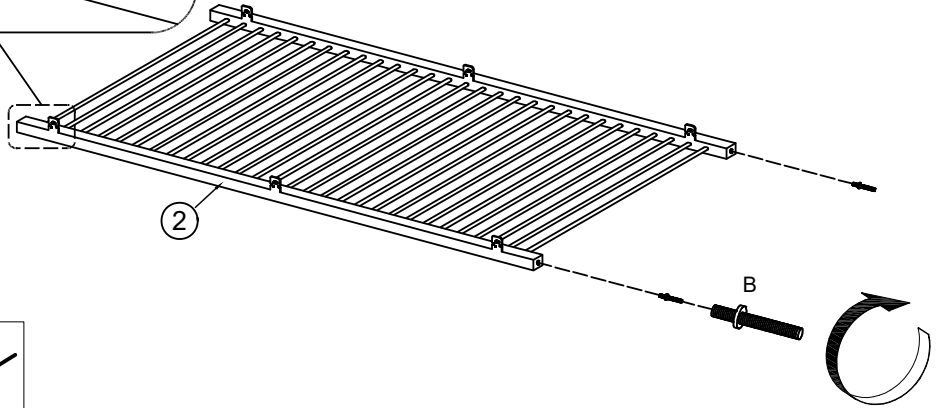
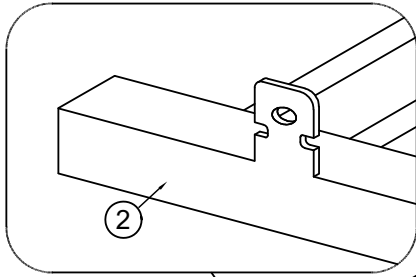
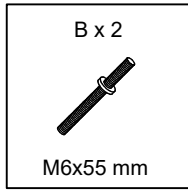
			✓
①	1	820x350x16	
②	1	818x357x36	
③	3	818x36x16	
④	1	818x36x16	
⑤	1	820x350x16	

			✓
⑥	6	334x36x16	
⑦	1	820x350x16	
⑧	3	817x317x12	
⑨	3	333x317x12	

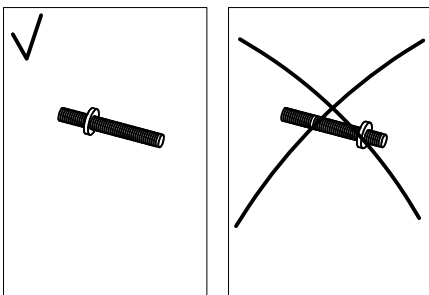
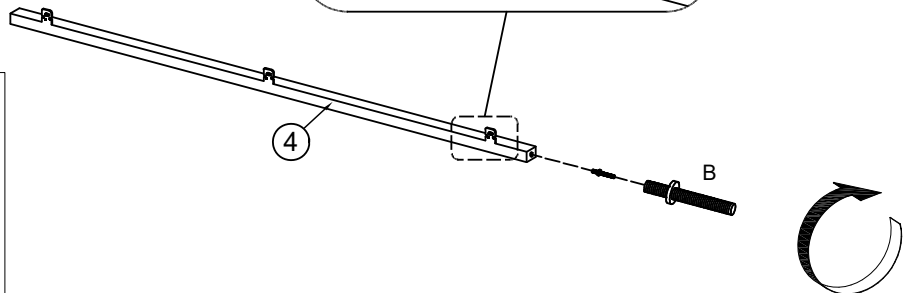
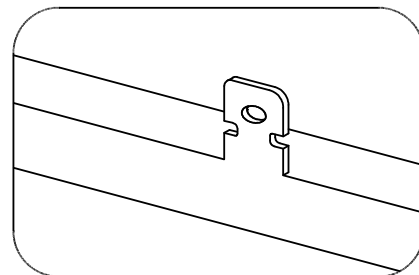
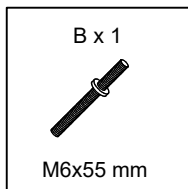


<p>A x 12</p>  <p>M6x15 mm</p>	<p>B x 6</p>  <p>M6x55 mm</p>	<p>C x 32</p>  <p>Ø4x12 mm</p>	<p>D x 6</p>  <p>M6/Ø12x15 mm</p>	<p>E x 2</p>  <p>75x30x15 mm</p>
<p>F x 1</p>  <p>4 mm</p>				

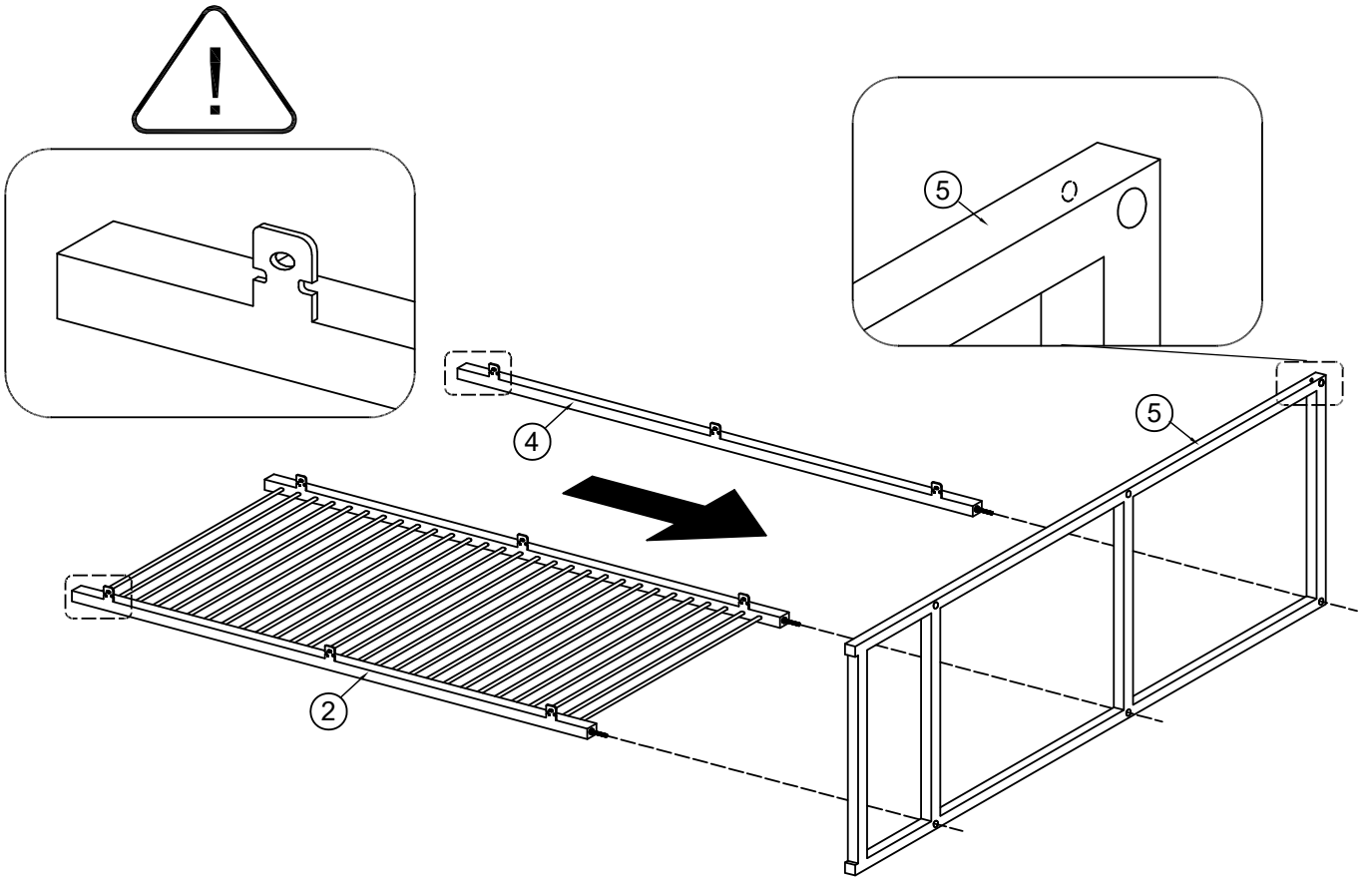
1



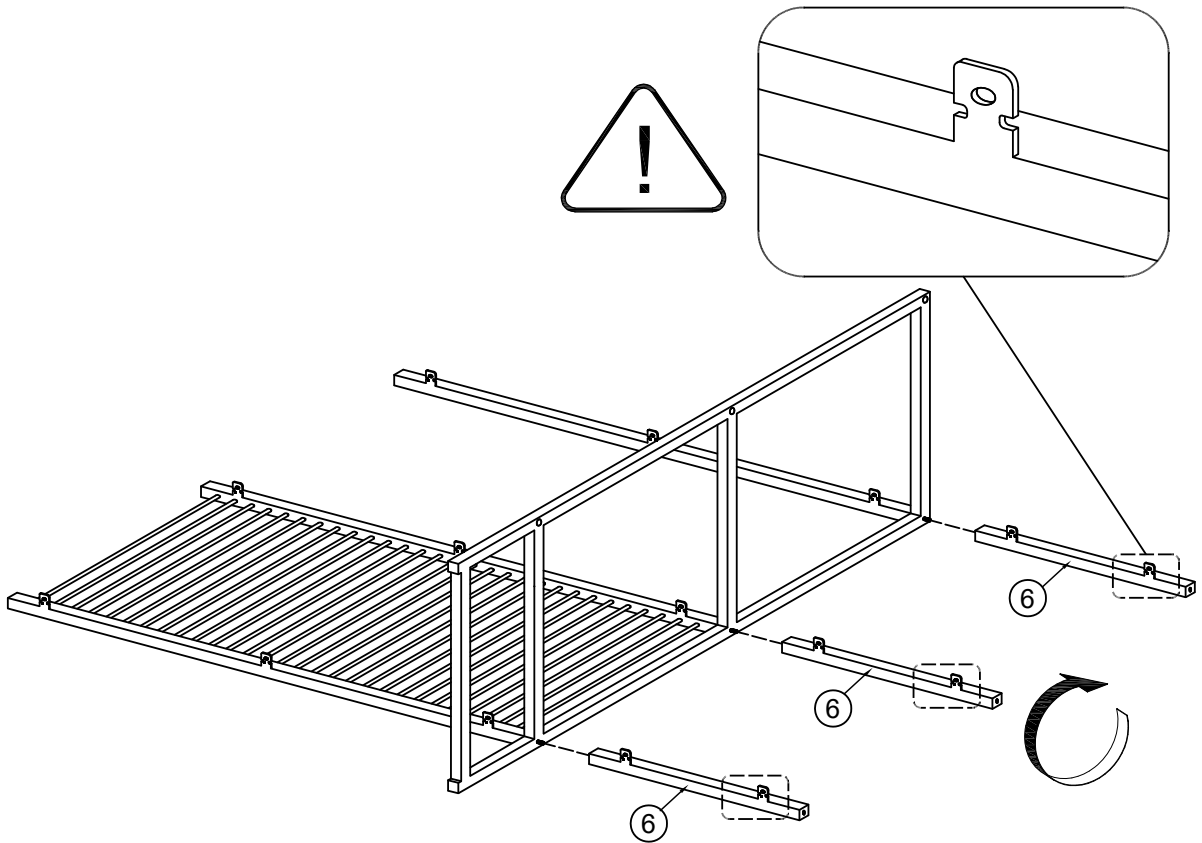
2



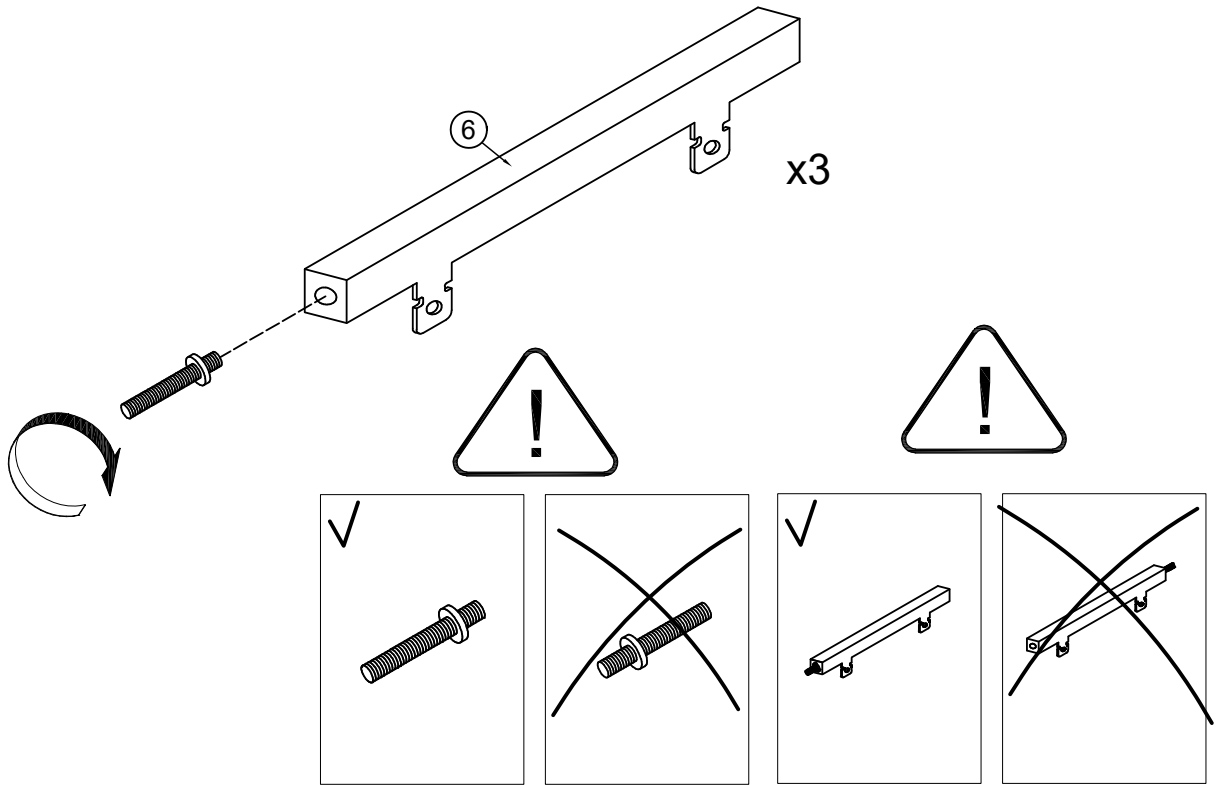
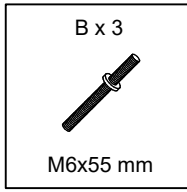
3



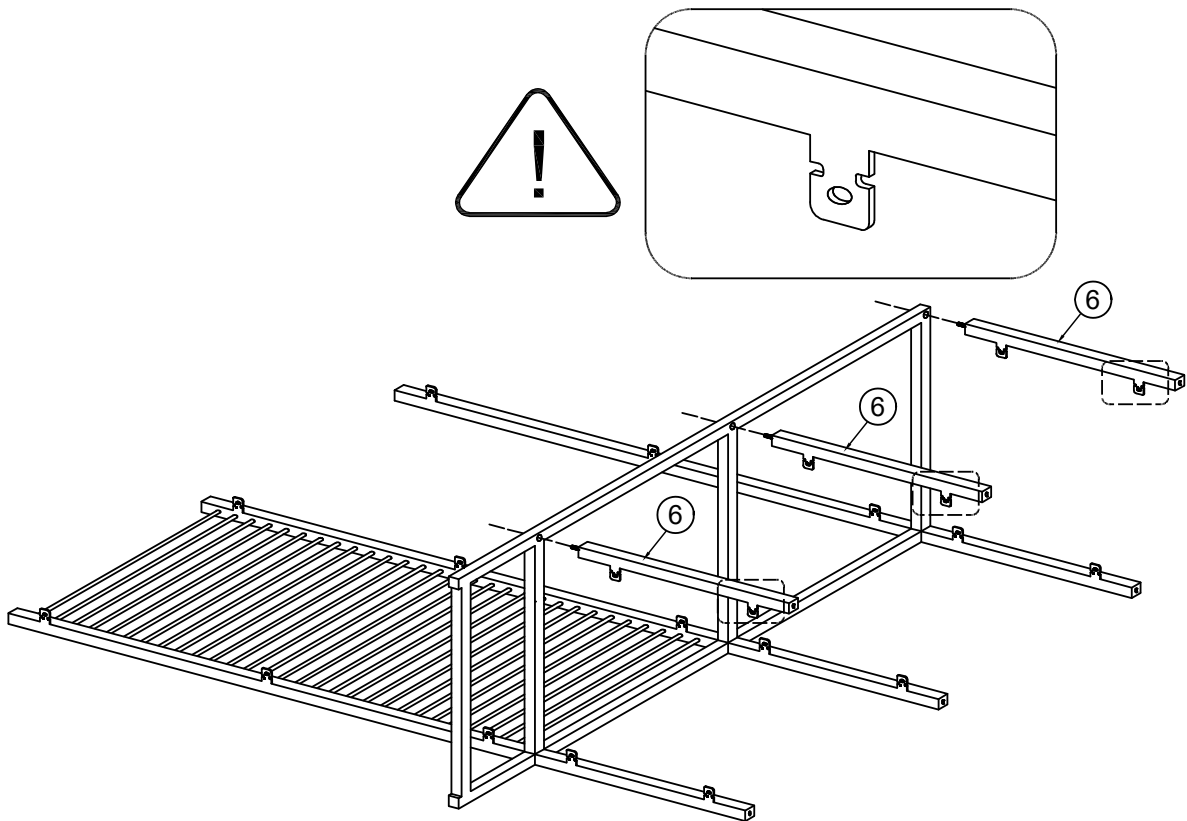
4



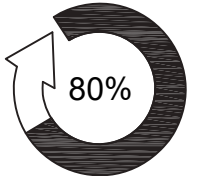
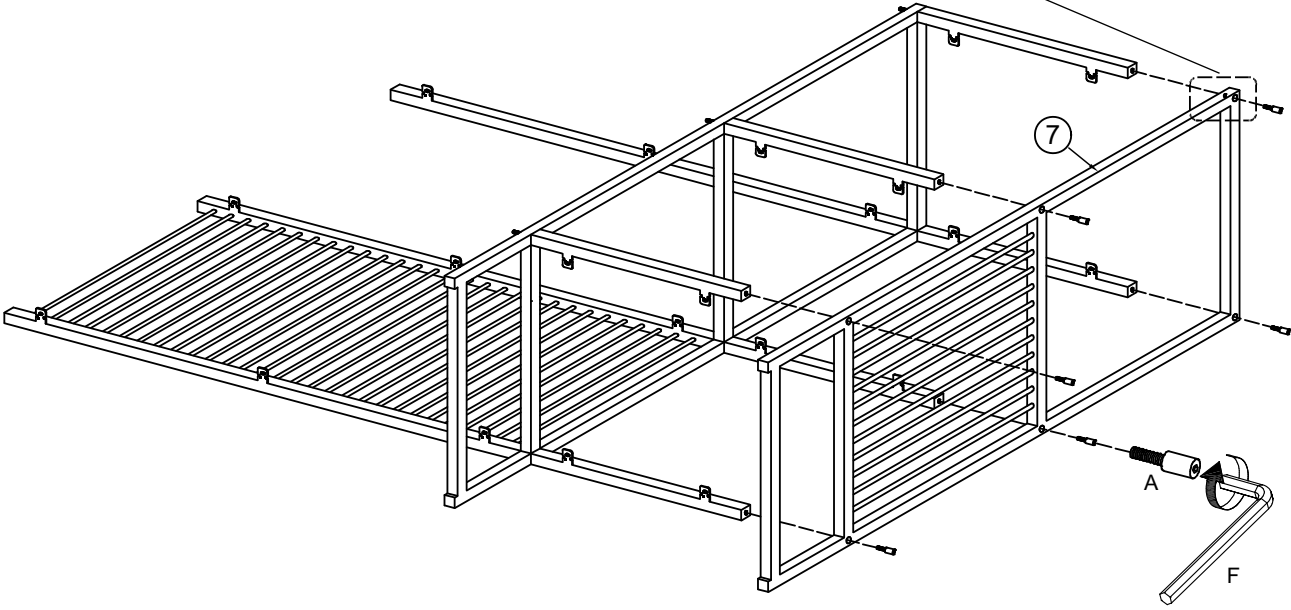
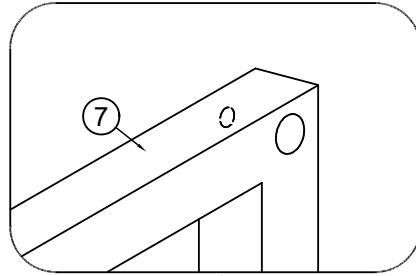
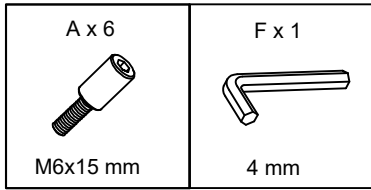
5



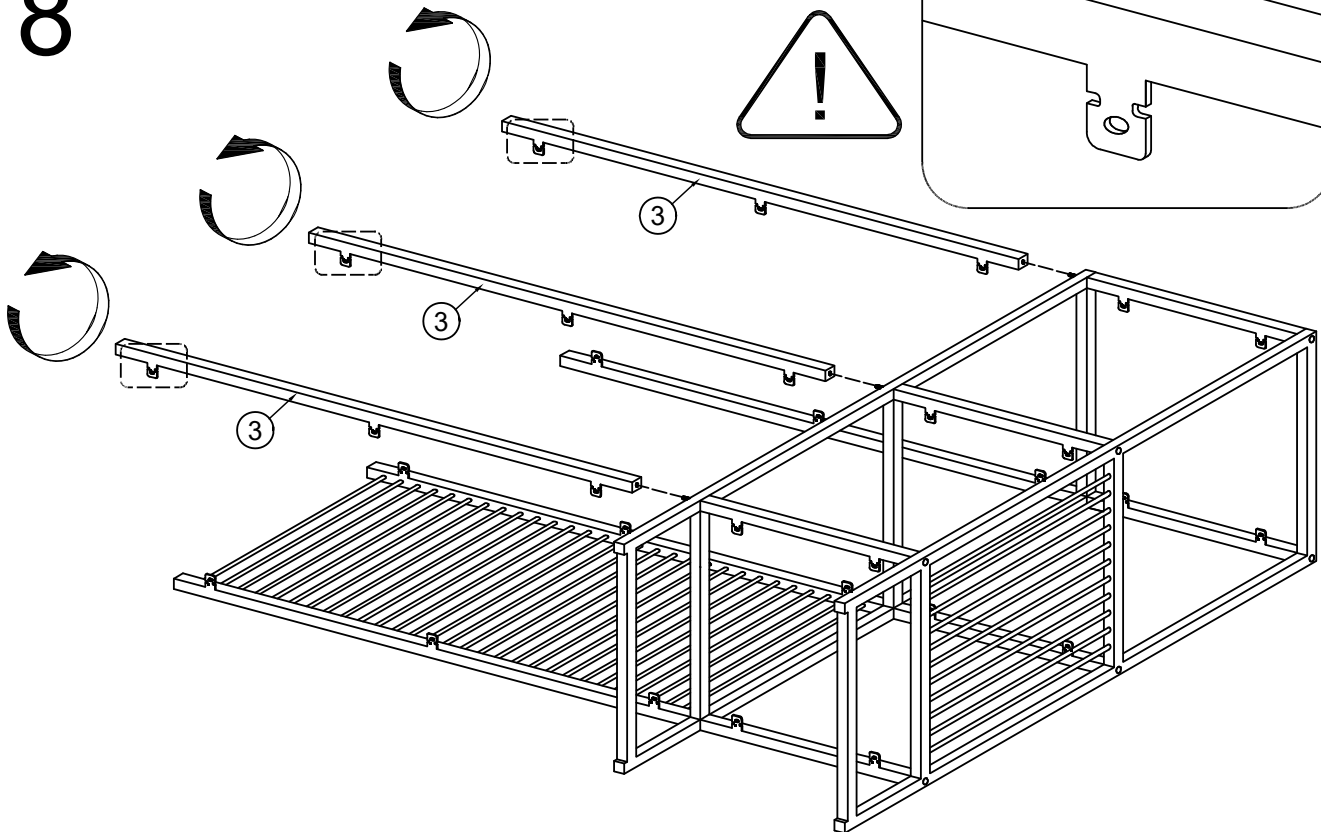
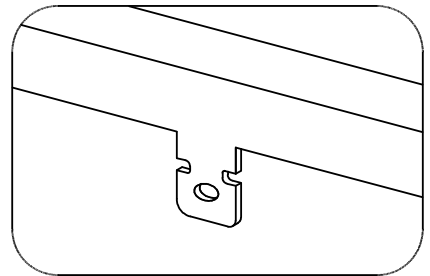
6



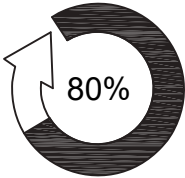
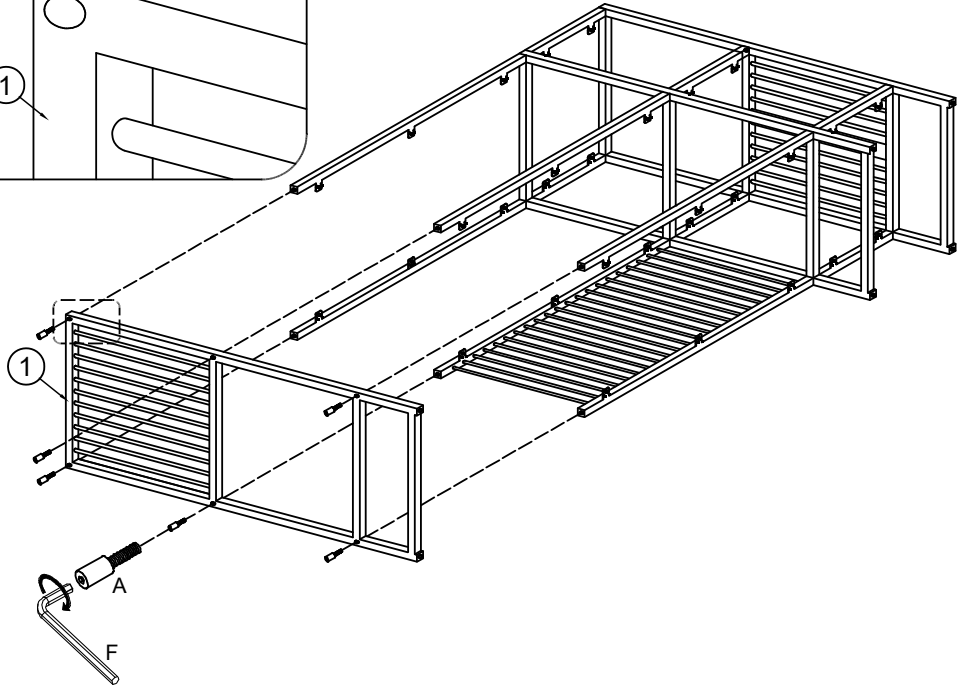
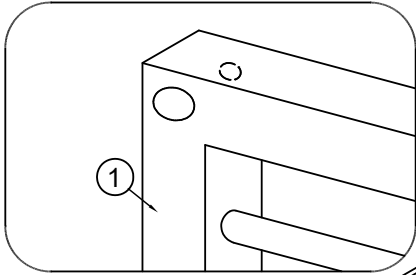
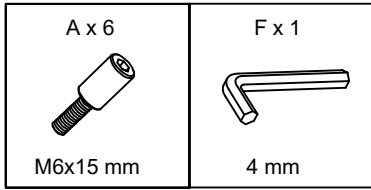
7



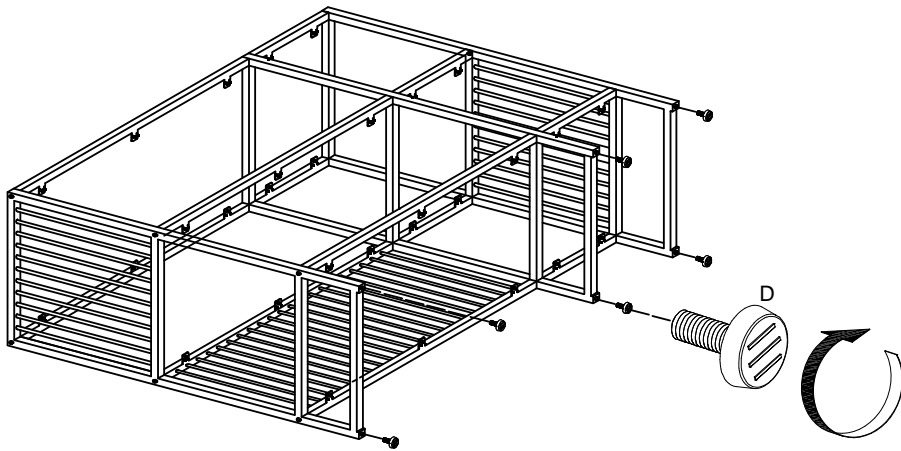
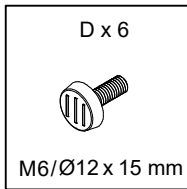
8



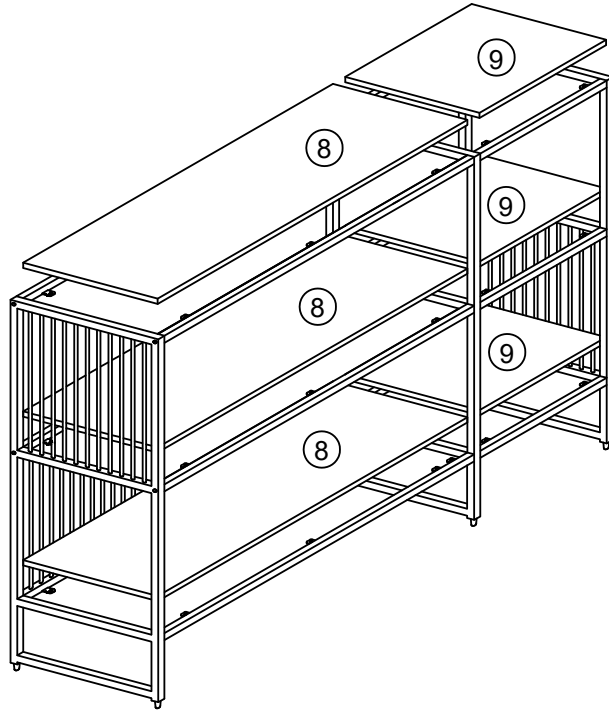
9



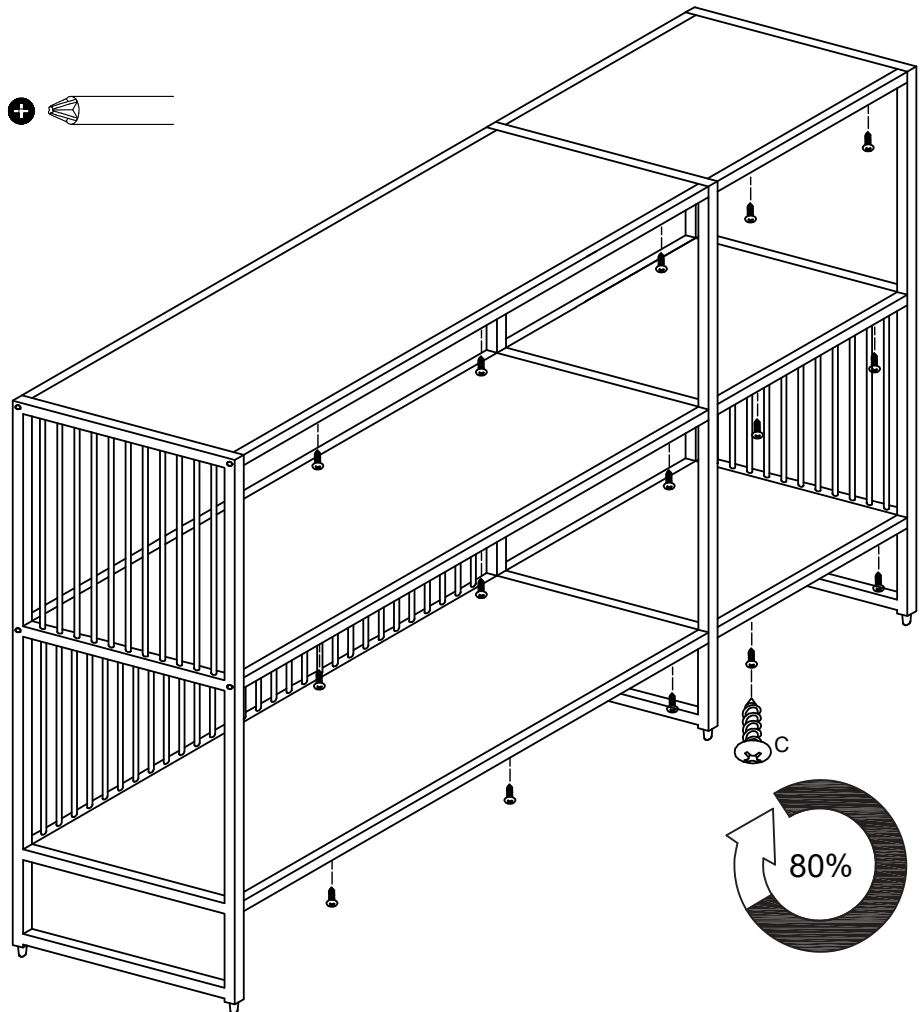
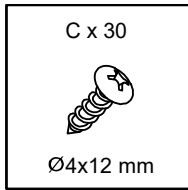
10



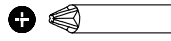
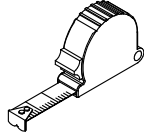
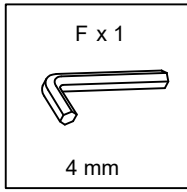
11



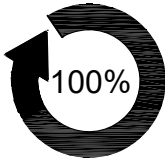
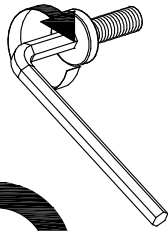
12



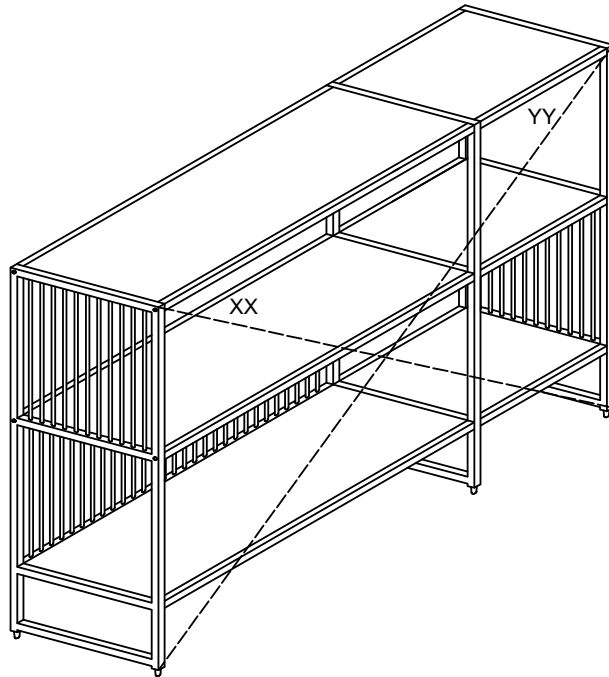
13



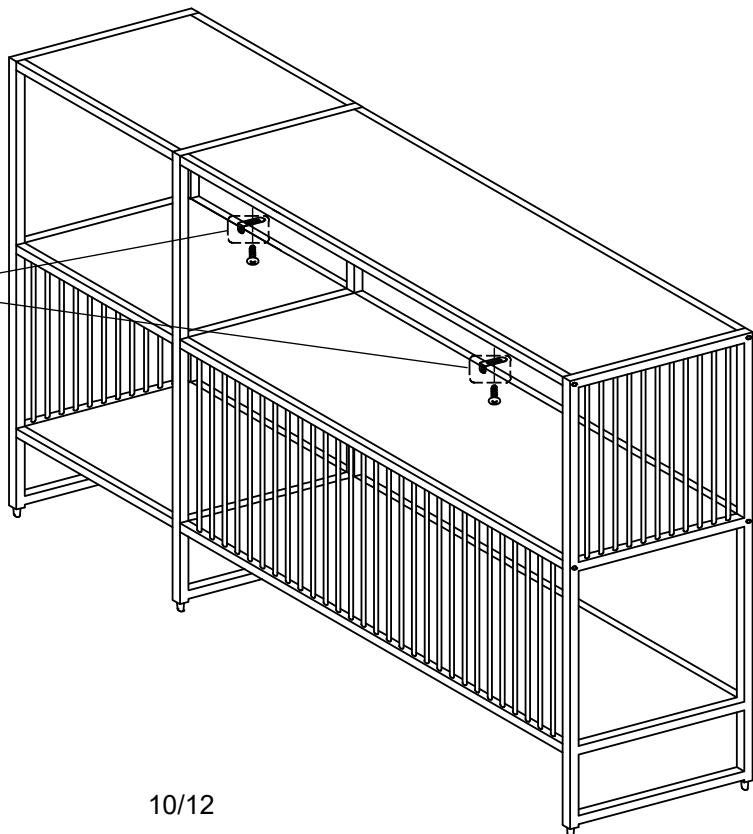
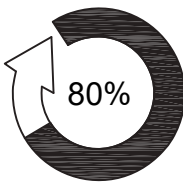
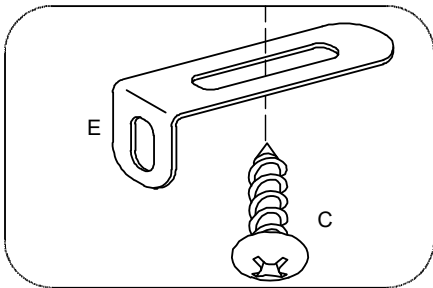
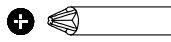
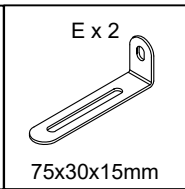
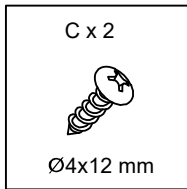
XX=YY



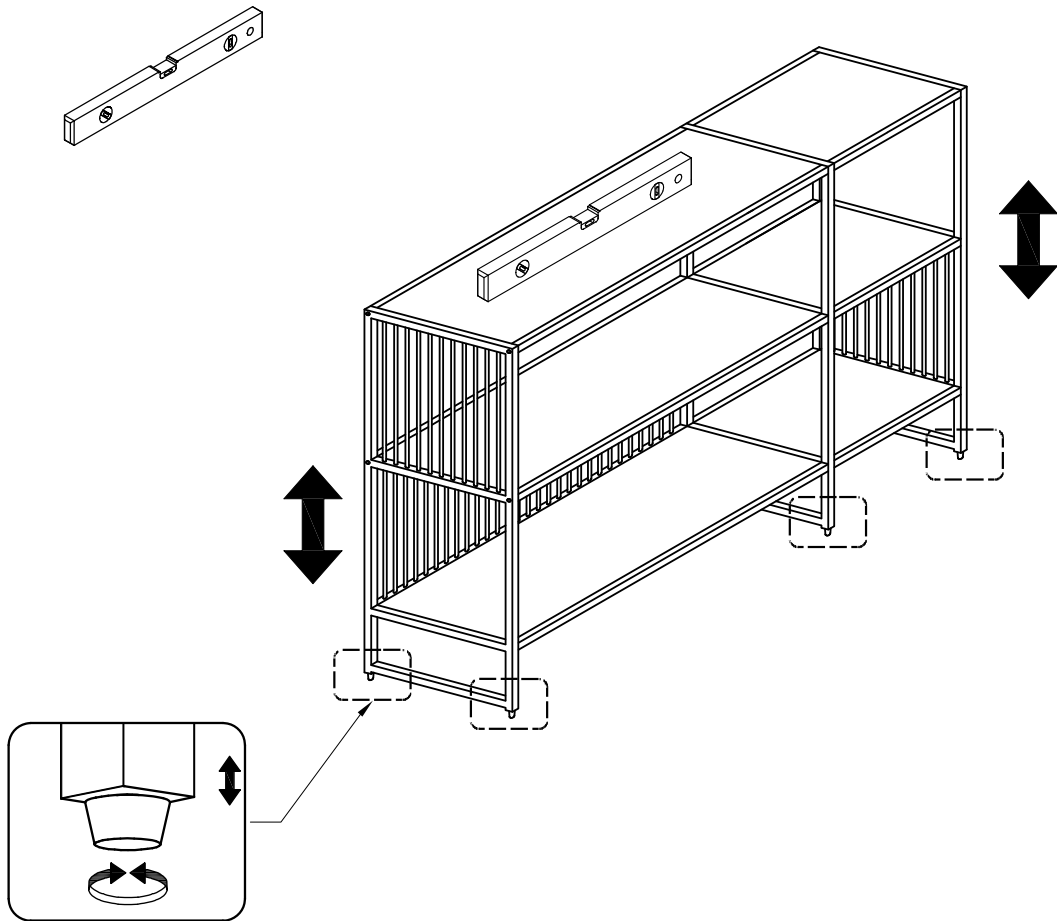
Ax12
Cx30



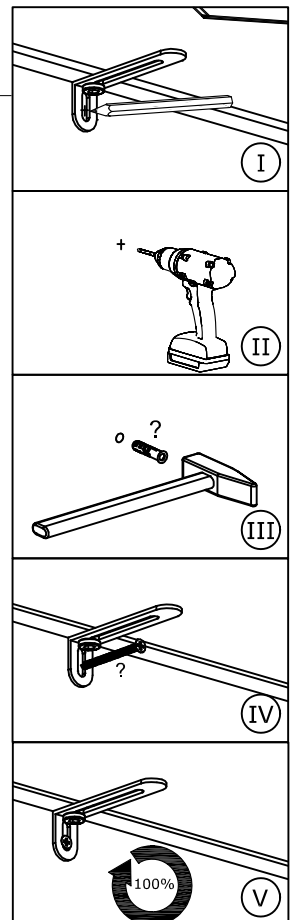
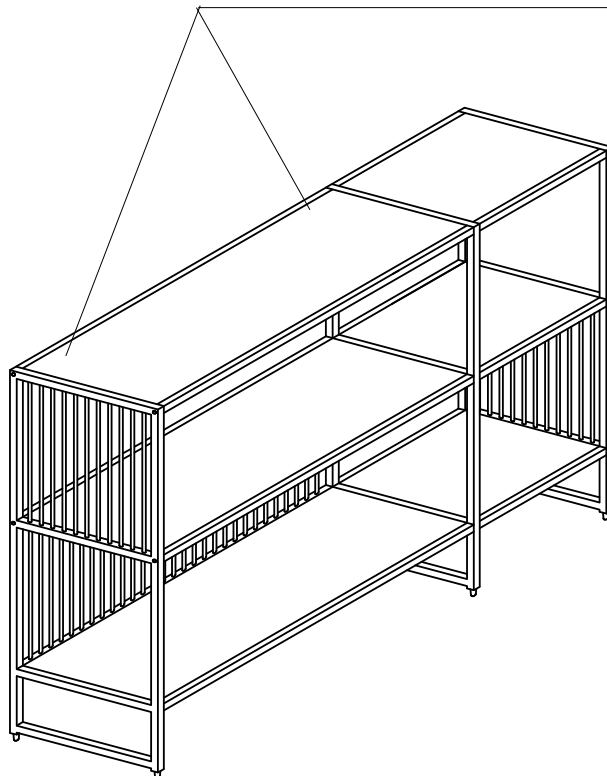
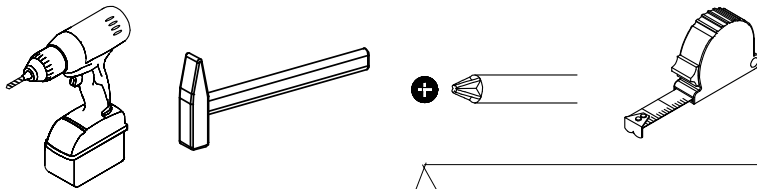
14



15



16



17

