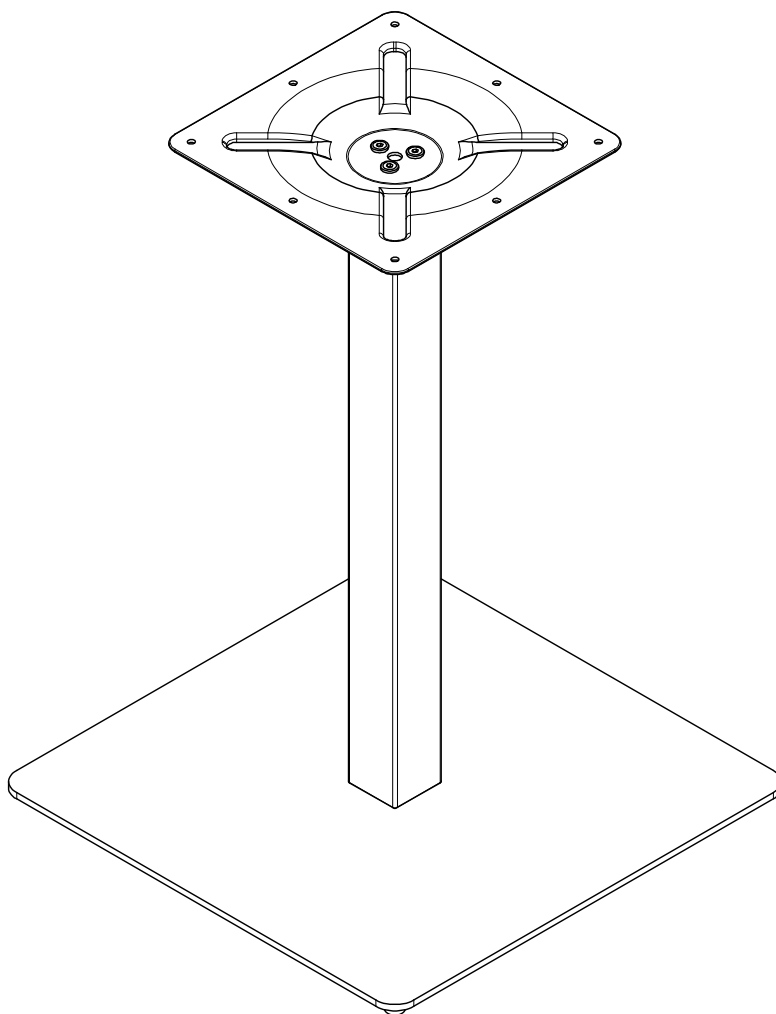
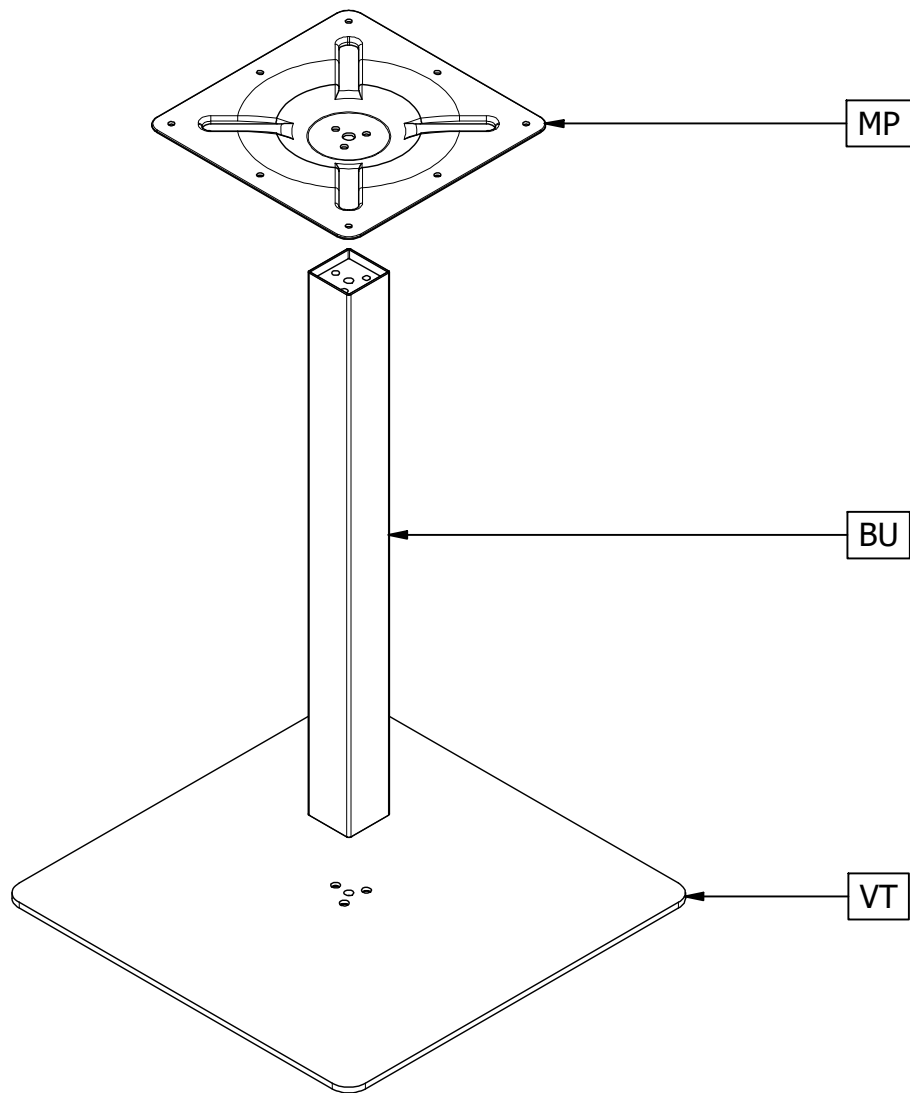


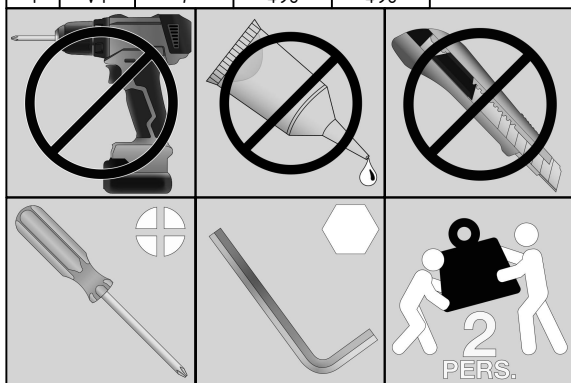
# BISTRO VIERKANTE BUISVOET

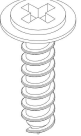

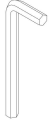

FUSS AUS VIERKANTROHR - BASE EN TUBE CARRÉ - SQUARE TUBE LEG





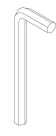
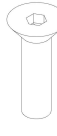
Qty	Code	Thickness	Length	Width
1	BU	60	675	60
1	MP	3	293	293
1	VT	7	498	498

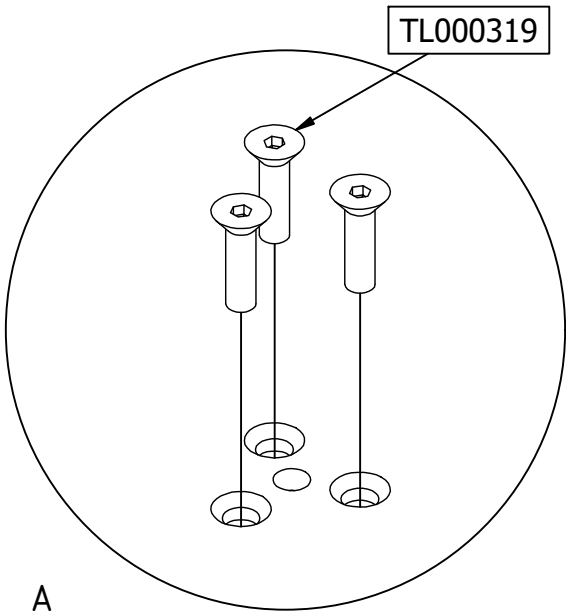
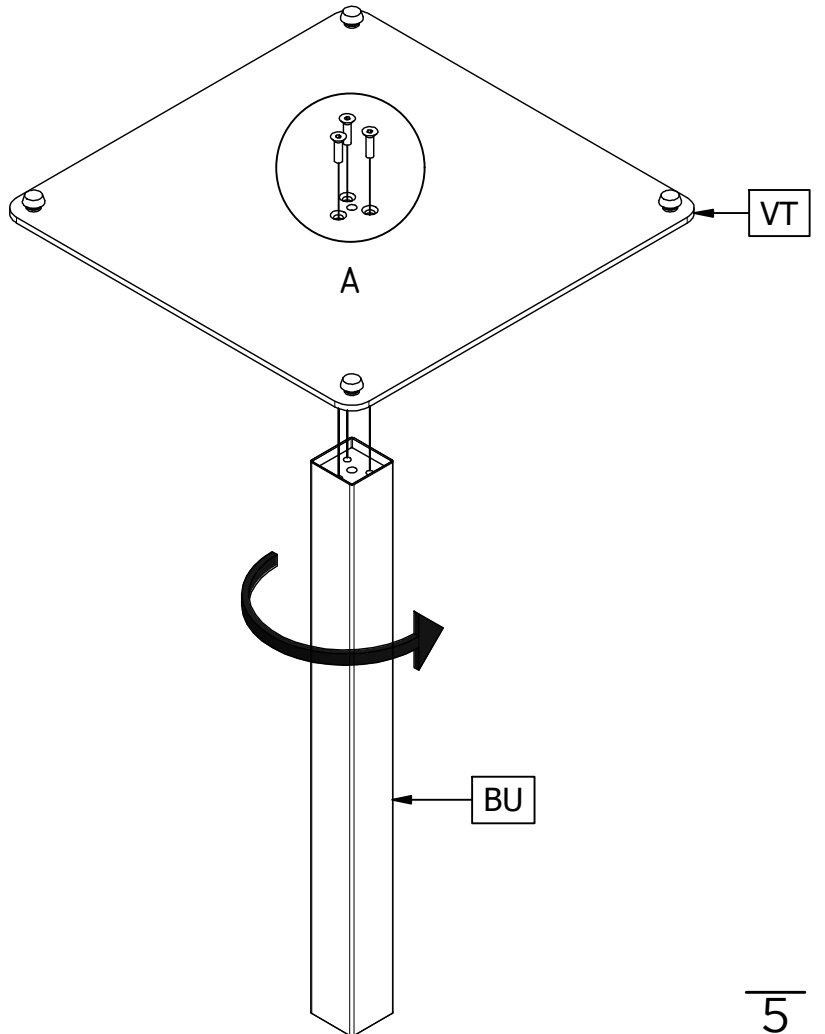
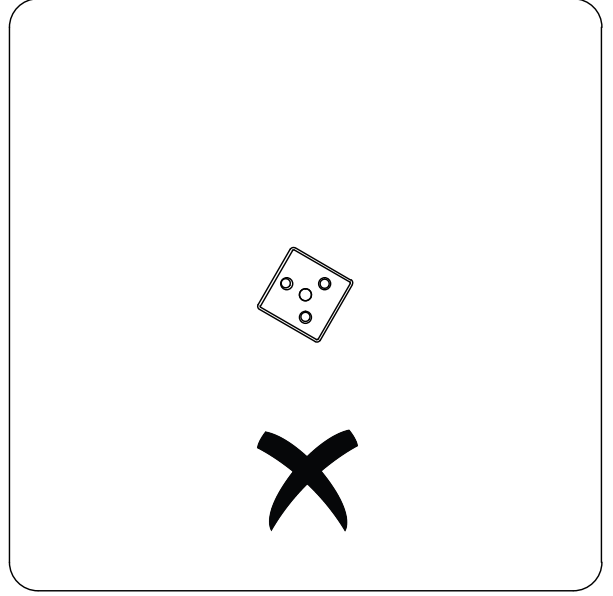
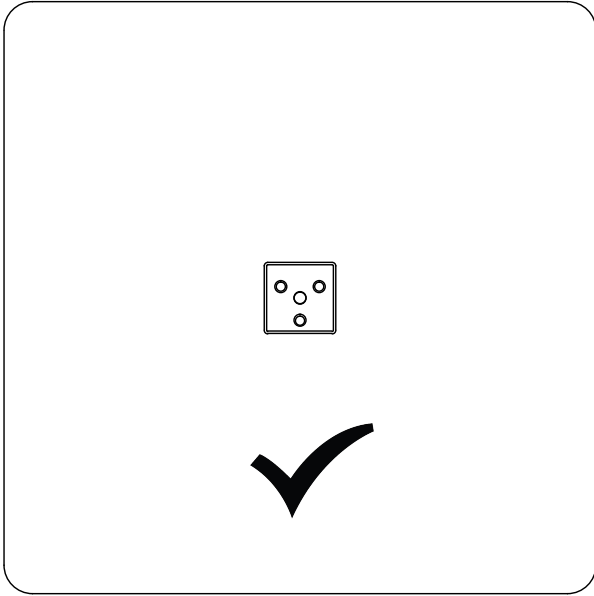


8	S 5x20mm	TL000148	
3	8x30mm	TL000316	
1	SW5	TL000317	
3	M8x30mm	TL000319	

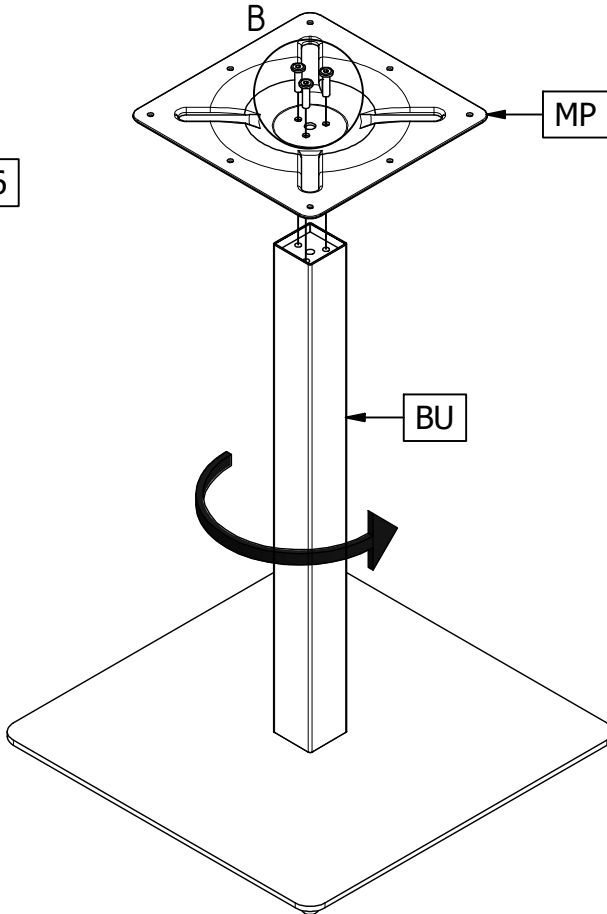
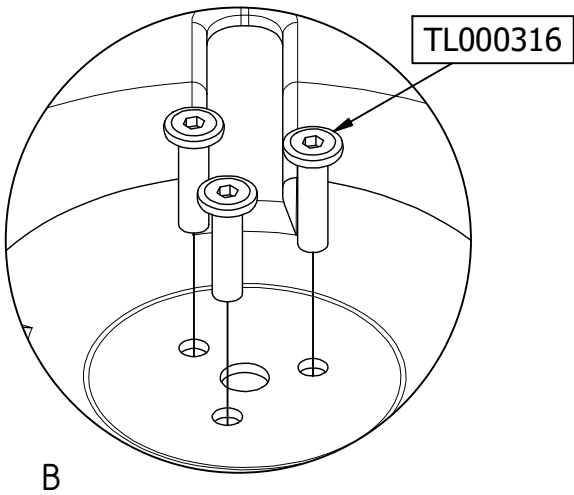
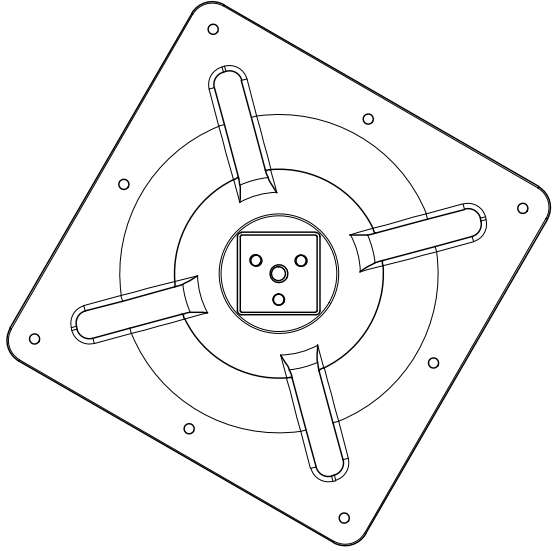
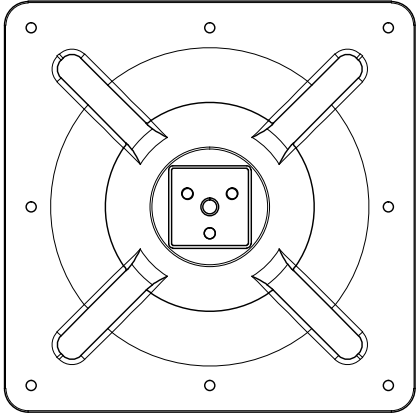
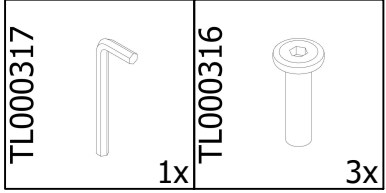


1

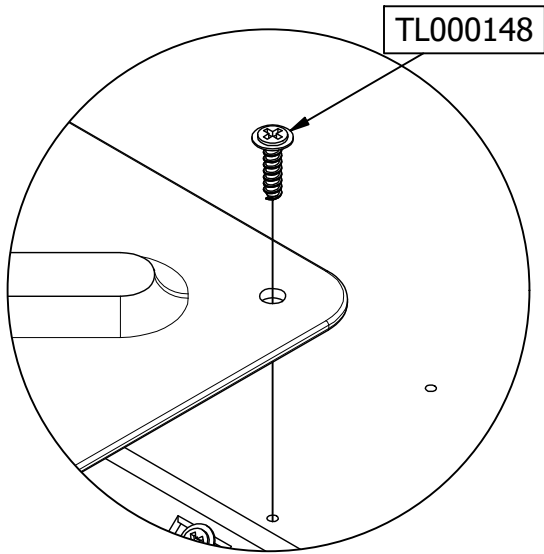
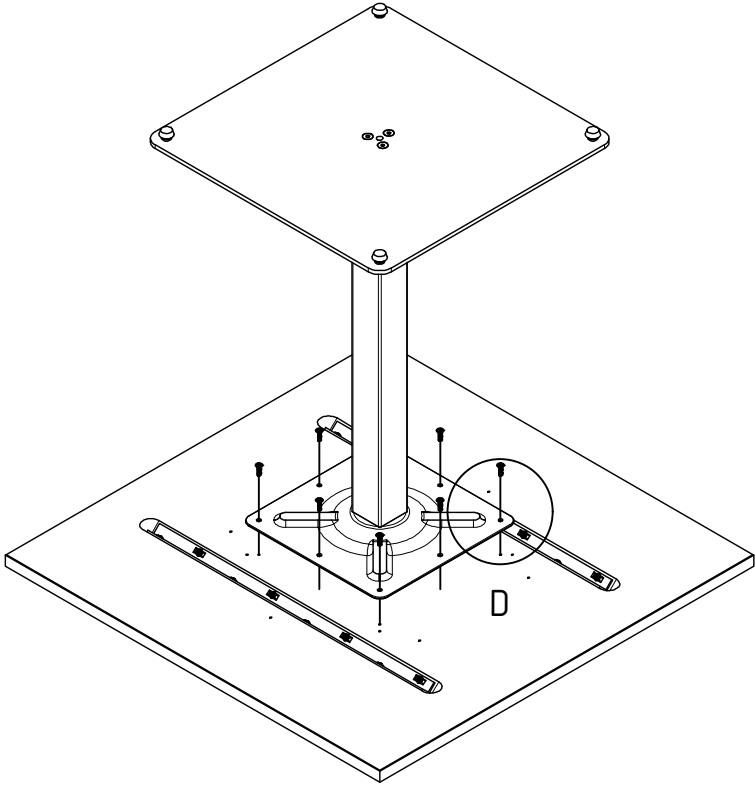
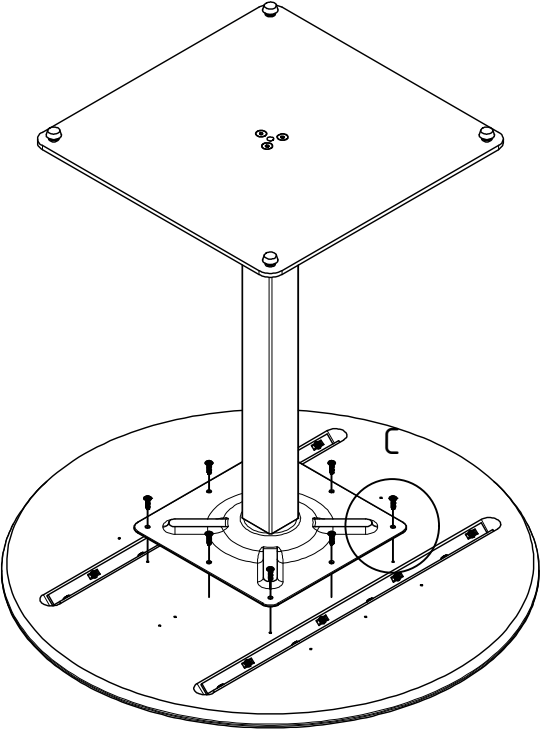
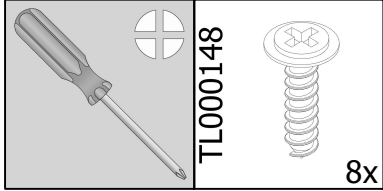
TL000317		1x	TL000319		3x
----------	---	----	----------	---	----



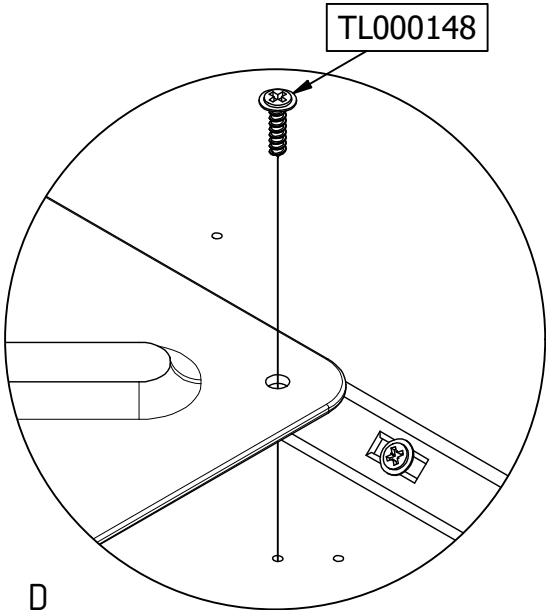
2



3



C



D

