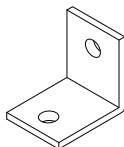
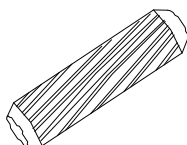


A × 8



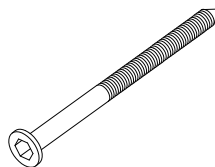
25×25×15 mm

B × 10



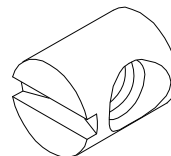
Ø8×30 mm

C × 4



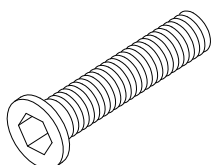
M6×72 mm

D × 4



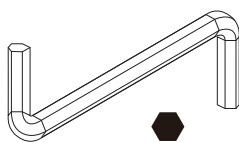
Ø10×12 mm

E × 4



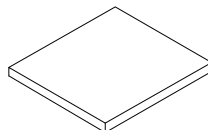
M6×38 mm

F × 1



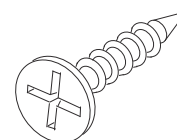
4 mm

G × 4

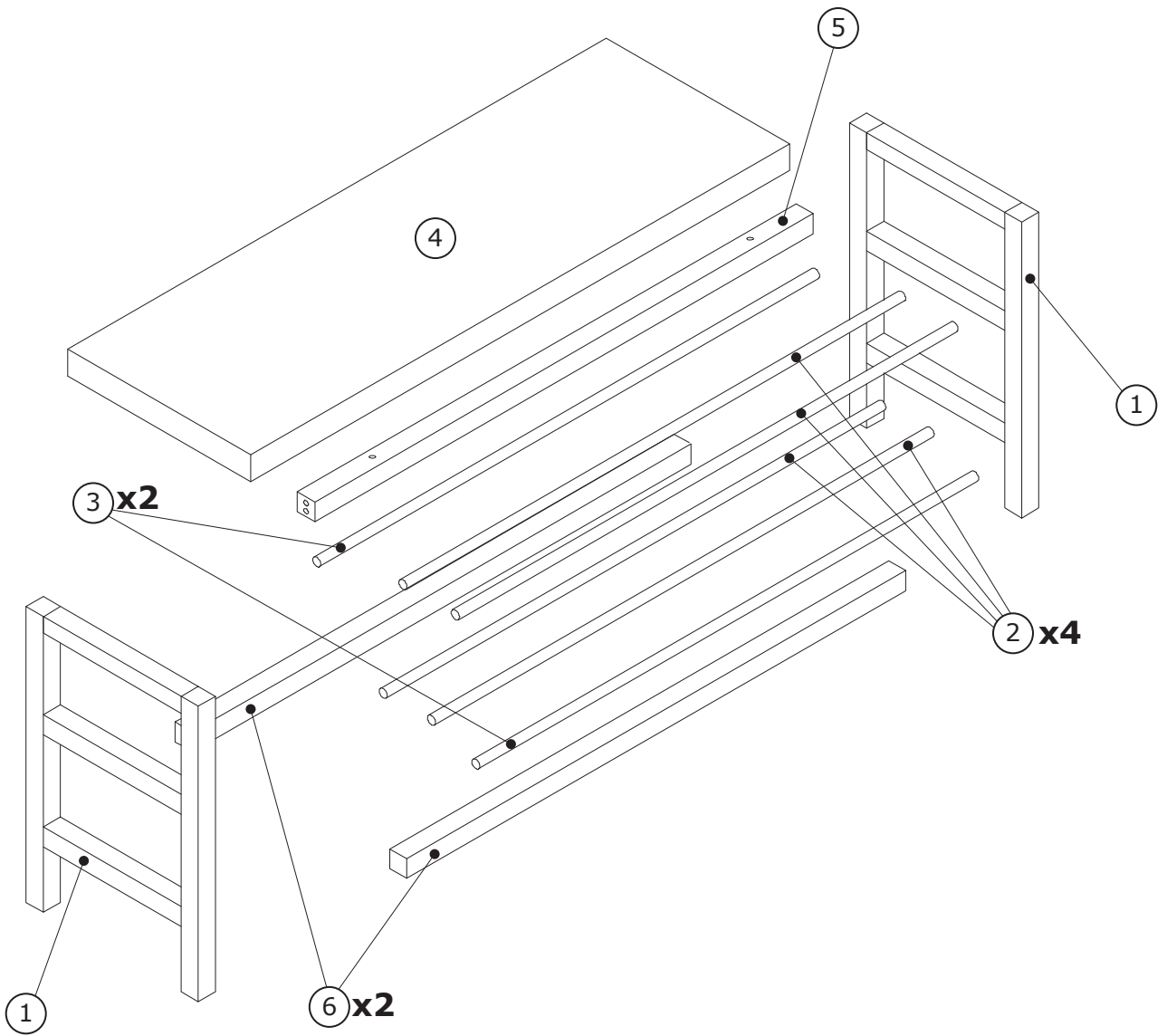


30×30×2 mm

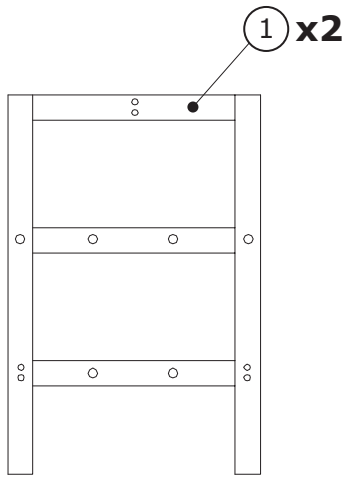
H × 16



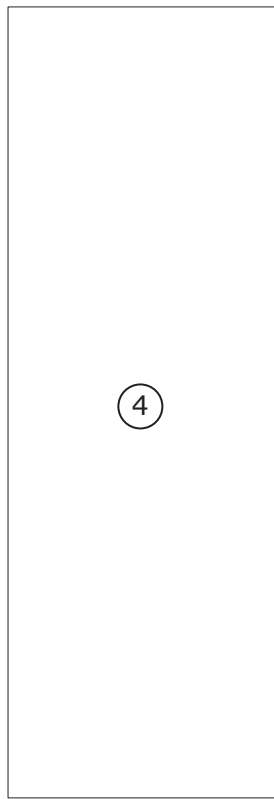
Ø3.5×18 mm



Box 1/1:



455×320×32mm



1000×340×48mm



Ø15.5×972mm



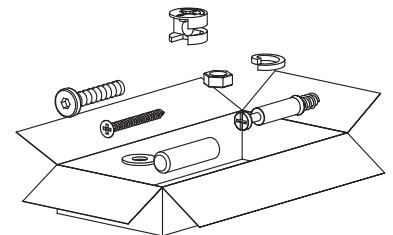
Ø15.5×972mm



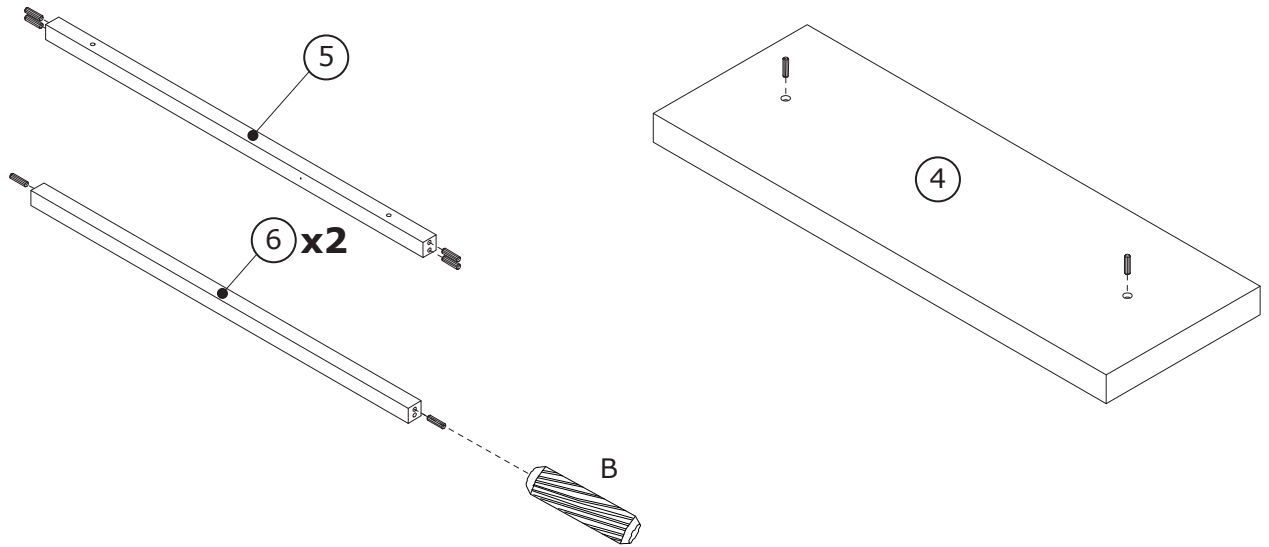
926×32×32mm



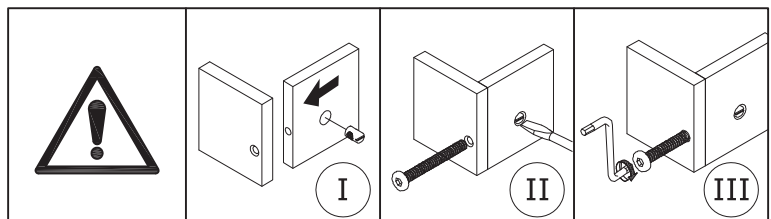
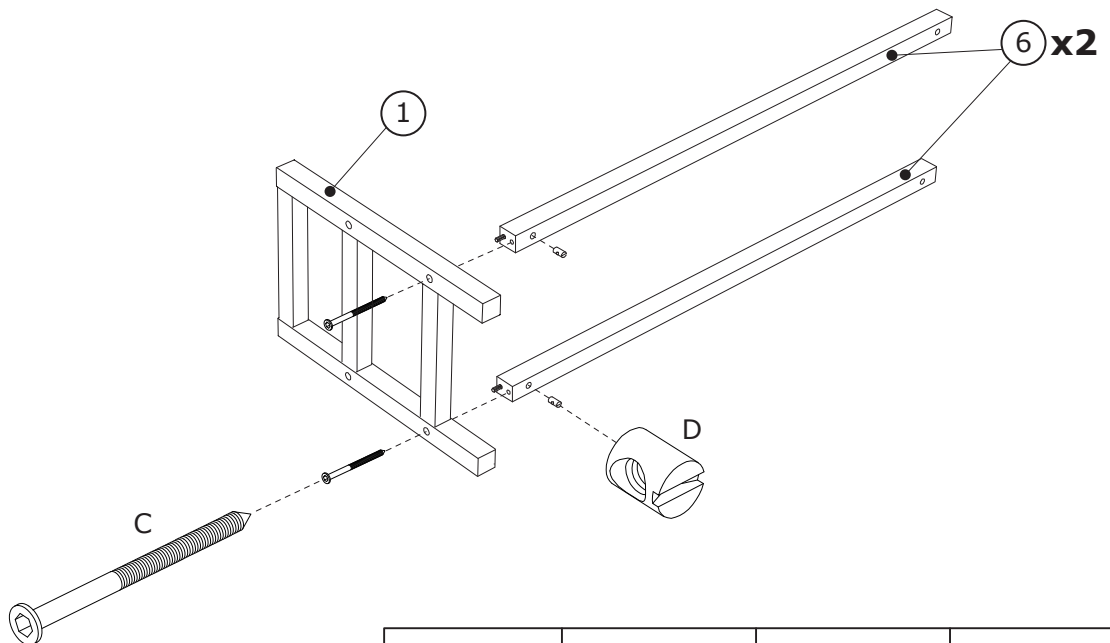
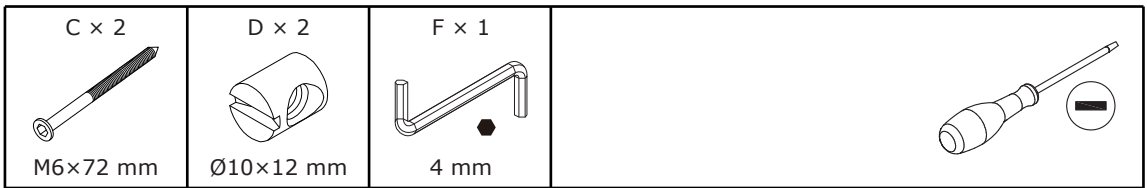
926×32×32mm



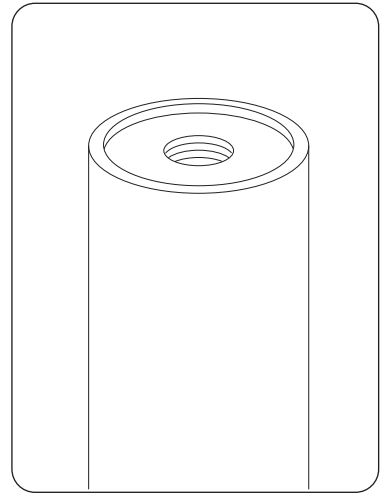
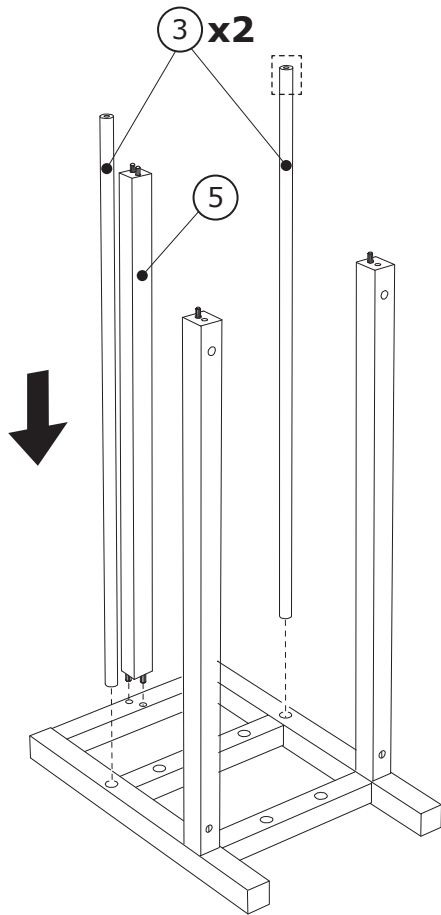
1



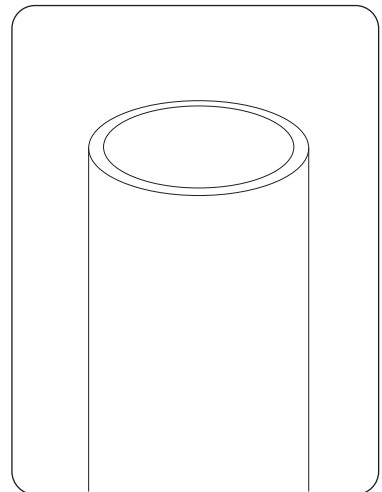
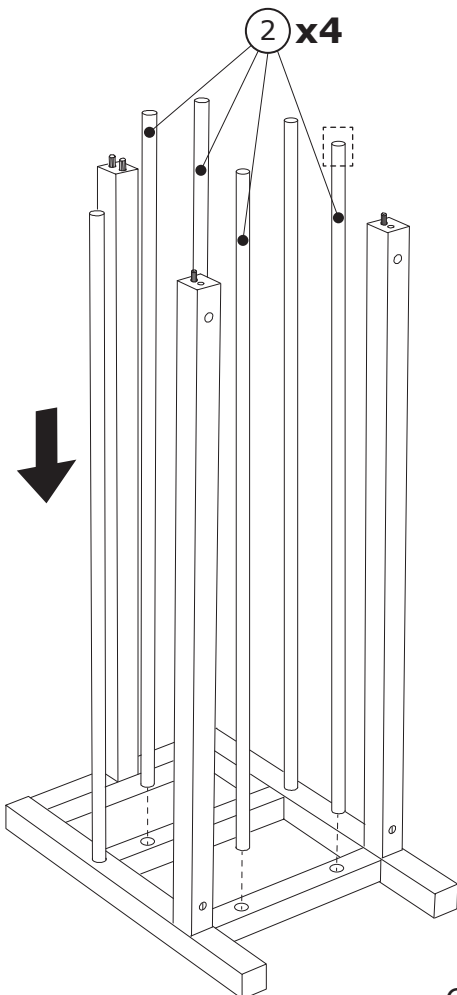
2



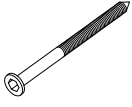
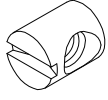
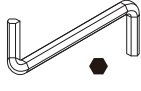
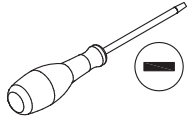
3

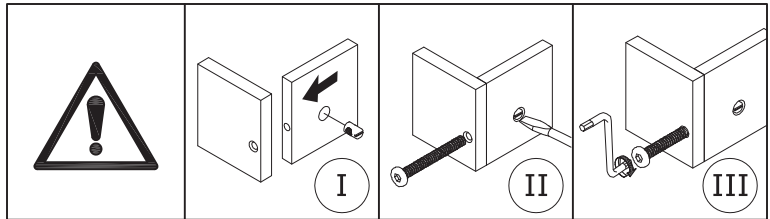
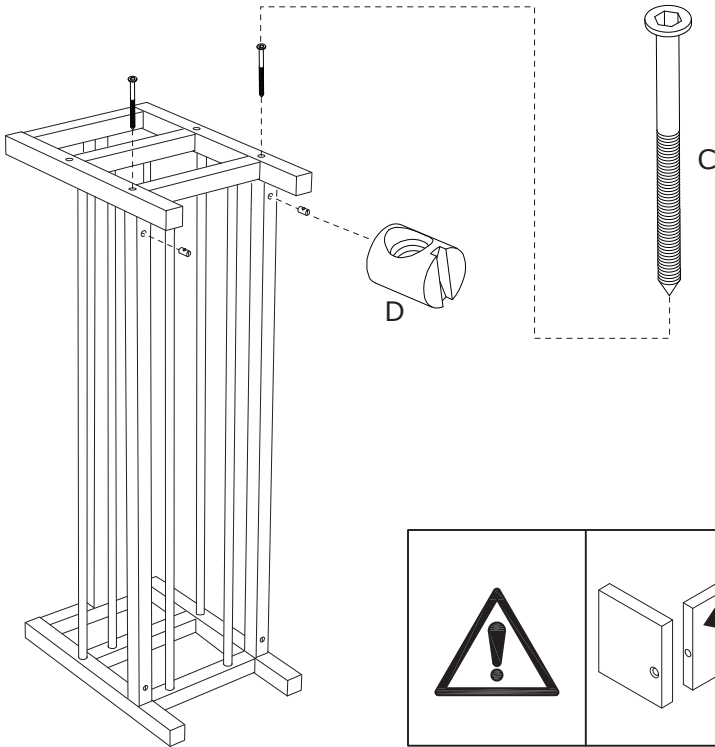


4

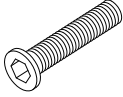
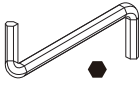


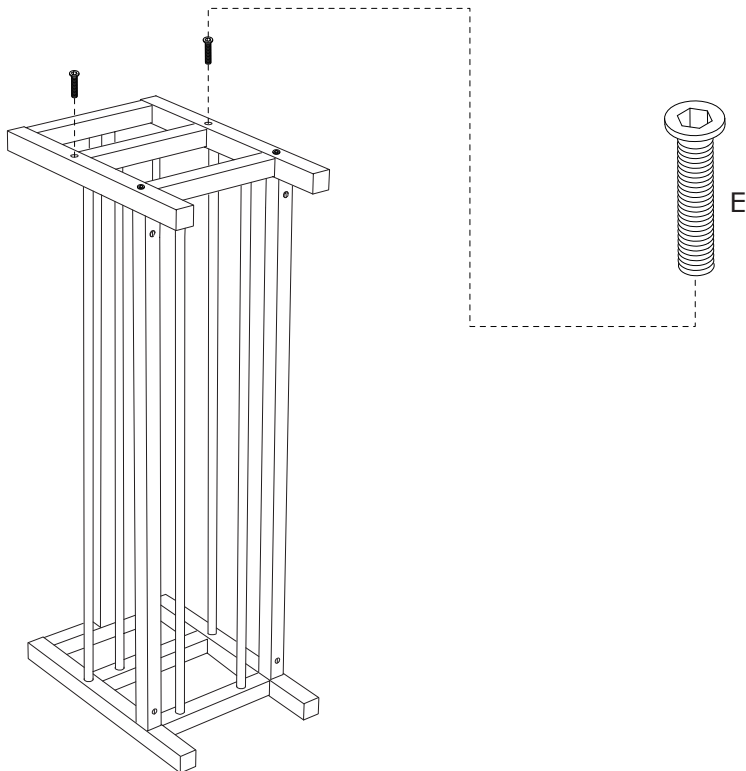
5

$C \times 2$  M6×72 mm	$D \times 2$  Ø10×12 mm	$F \times 1$  4 mm	
---	--	---	---

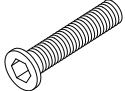
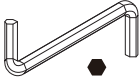
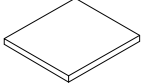


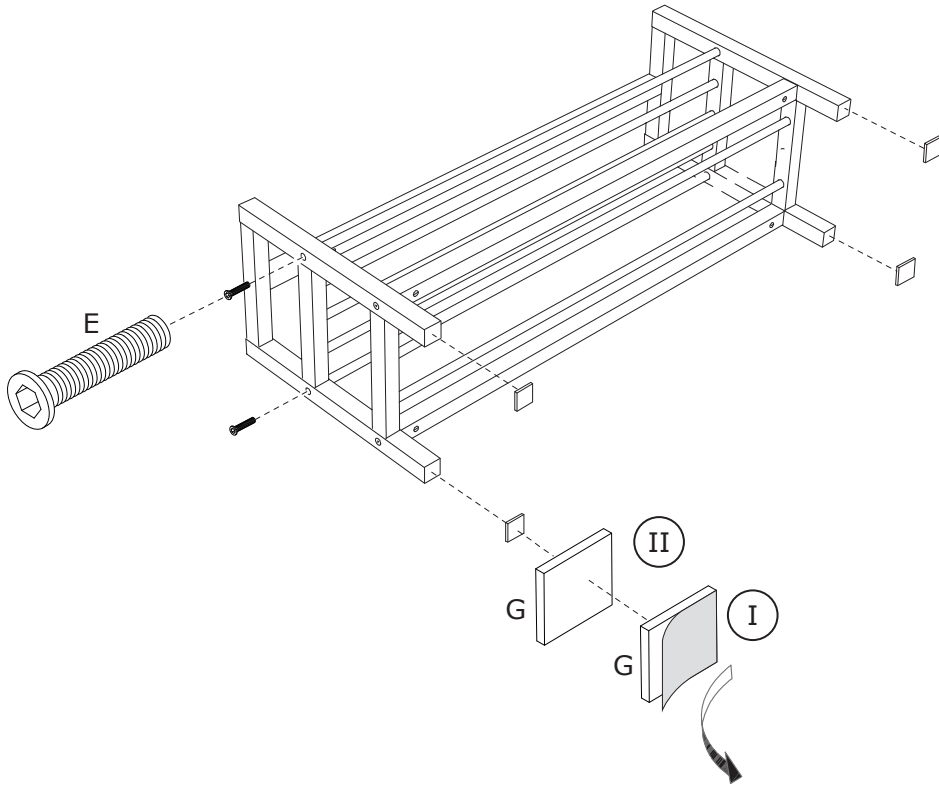
6

$E \times 2$  M6×38 mm	$F \times 1$  4 mm	
---	---	--

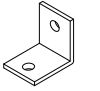
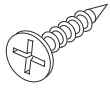
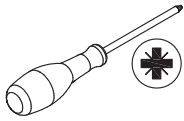


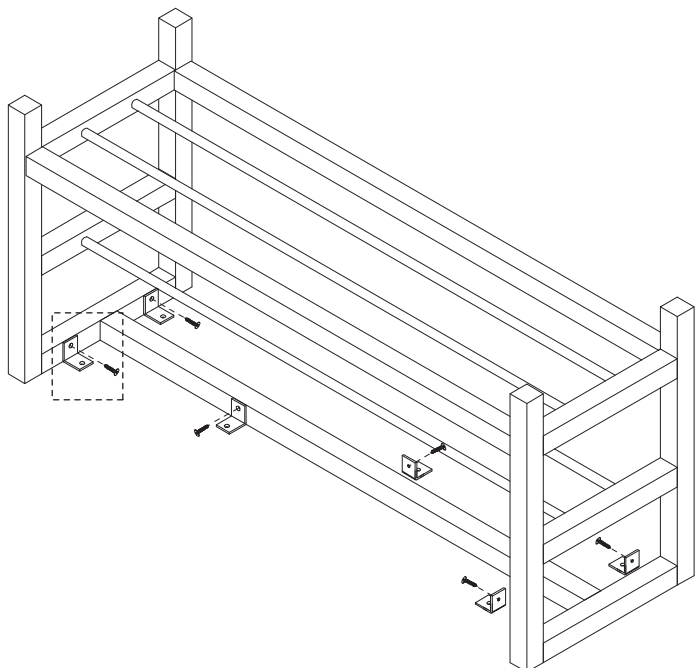
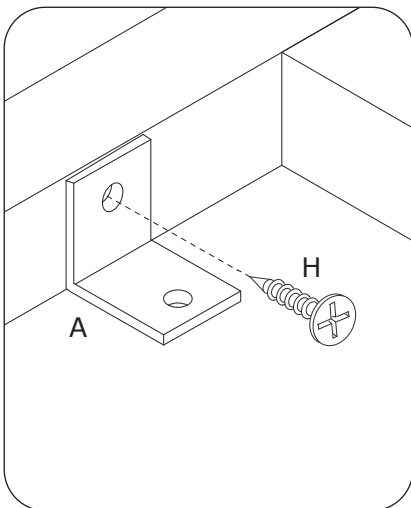
7

<p>E × 2</p>  <p>M6×38 mm</p>	<p>F × 1</p>  <p>4 mm</p>	<p>G × 4</p>  <p>30×30×2mm</p>	
--	--	---	--

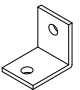
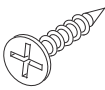



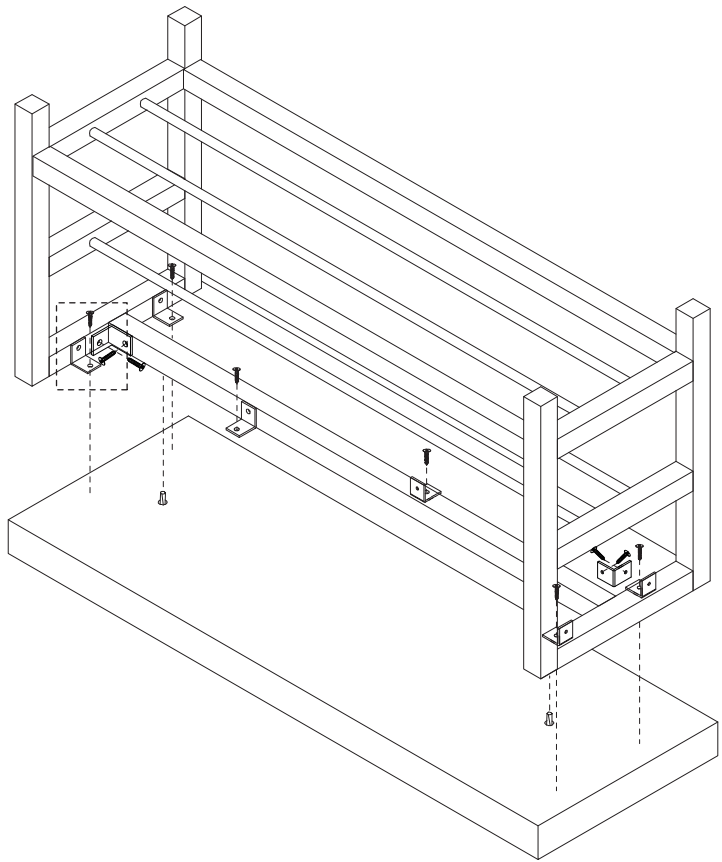
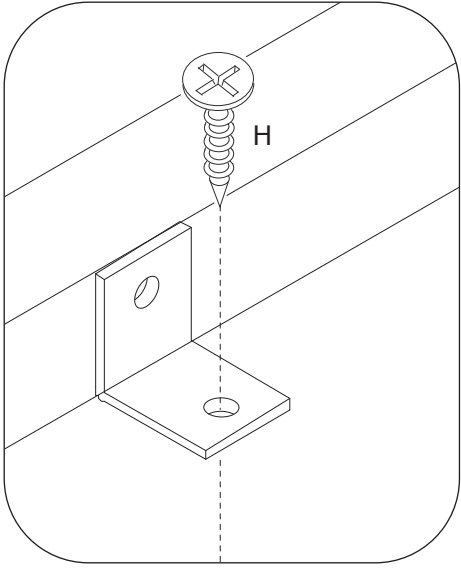
8

<p>A × 6</p>  <p>25×25×15 mm</p>	<p>H × 6</p>  <p>Ø3.5×18 mm</p>		
---	--	--	---



9

<p>A × 2</p>  <p>25×25×15 mm</p>	<p>H × 10</p>  <p>Ø3.5×18 mm</p>	 
---	---	---



10

