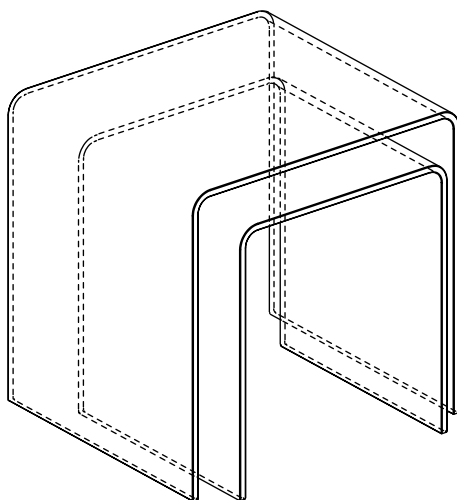


Thank you for purchasing this Side Table Vetro Set of 2. Please read the instructions carefully before use to ensure safe and satisfactory operation of this product.



Pre-assembly preparation

Please ensure instructions are read in full before attempting to assemble this product.



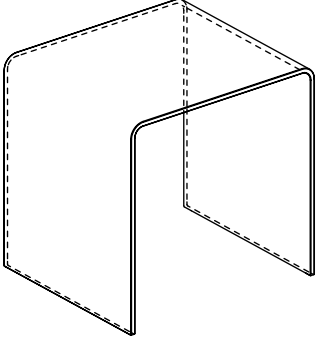
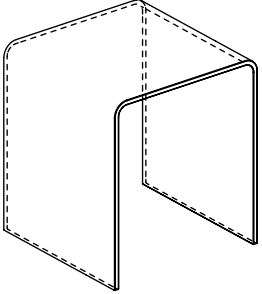
Please check the pack contents before attempting to assemble this product. A full checklist of components is given in this leaflet. If any components are missing, please contact the retailer from whom you bought this product.

This product is **HEAVY**, it should be assembled as near as possible to the point of use. **TAKE CARE WHEN LIFTING** to avoid personal injury and (or) damage to the product.

This product is fully assembled.

PLEASE KEEP THESE INSTRUCTIONS FOR FUTURE REFERENCE

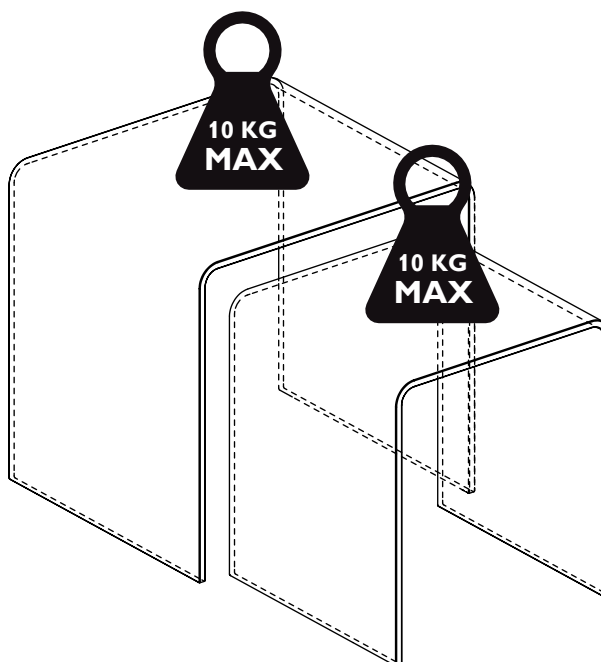
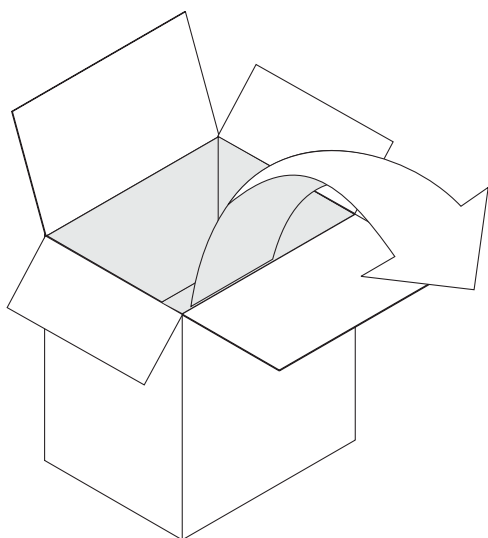
Fittings and parts checklist

Parts checklist					
1	Large size x1		2	Small size x1	



With two people, carefully take out the products (part 1 & 2) and place in position.

CAUTION!
Please take care when lifting, avoid any collisions to prevent damage. Never drag furniture when moving it, always lift and carry with two people.



Care and Maintenance

Please follow these helpful guidelines to ensure your furniture is kept in pristine condition.

- Use a damp cloth with glass cleaner or soft soapy water if necessary for cleaning, do not use anything abrasive as this may scratch the glass.
- Glass can scratch in normal use therefore please protect surfaces from scratches and marks by using mats and coasters.

Glass furniture warning

- This product is for indoor use only. Always use and store in normal room temperature conditions. This range is typically from 15- 35C.
- Never drag furniture when moving it, always lift and carry with two people.
- Do not sit, stand, or lean on the glass product. Keep children and pets away from the edges.
- Do not place very hot or very cold items on the glass surface(s) unless adequately thick table mats are used to prevent such items from coming into contact with the glass.
- Do not place the furniture next to heat sources such as radiators or fires.
- Do not use the glass as a chopping surface. Do not strike the glass with hard or pointed items.
- If a glass component is chipped or broken, please stop using the product and contact your retailer. Do not touch broken glass with bare hands.
- Do not overload. **The maximum recommended load is 10kg for each table.**

Experiencing problems with your new product?

Before calling customer service, please have your item's batch code ready.

You can find the batch code on the back or bottom of your product as shown below.

(example batch code: 200510)

