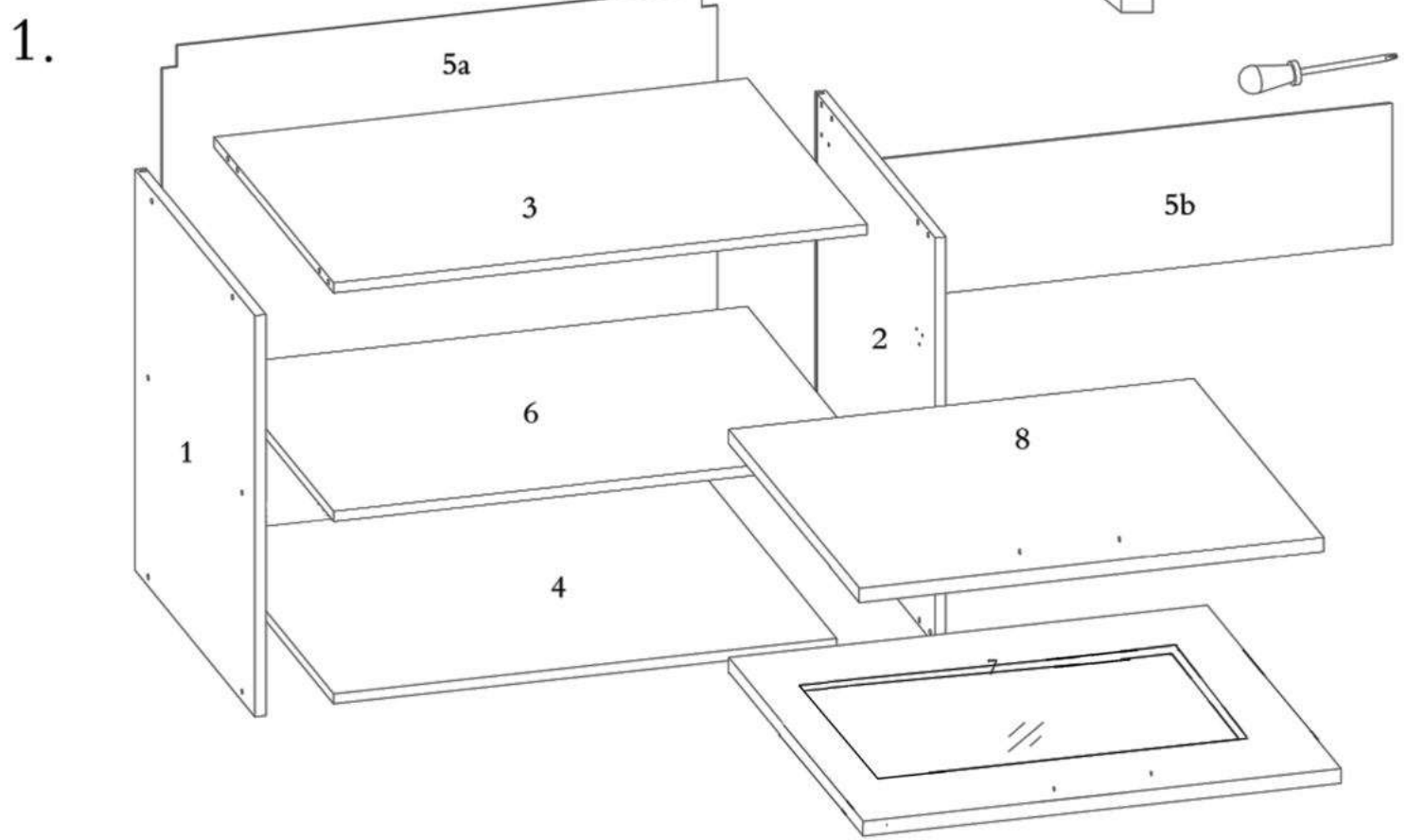
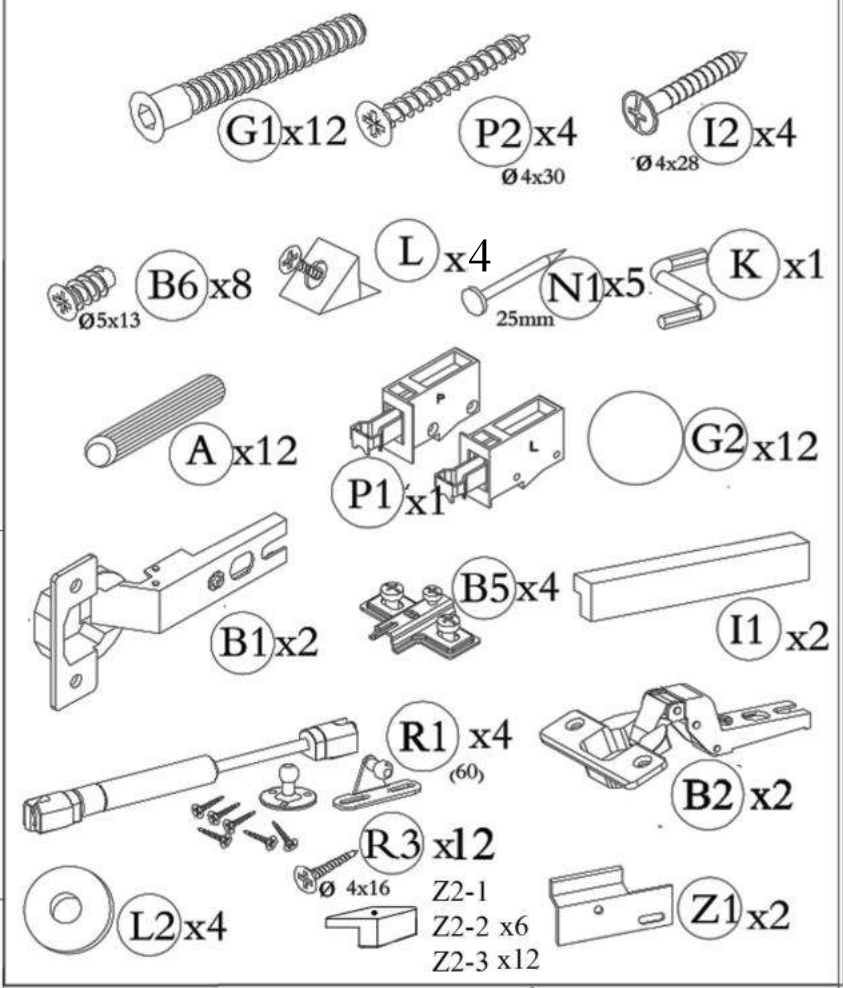
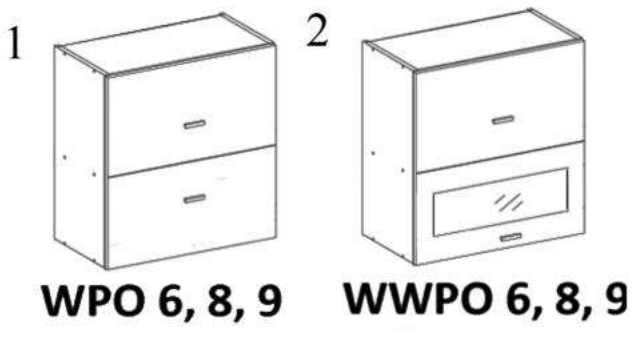
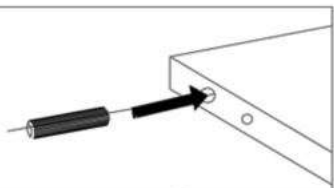
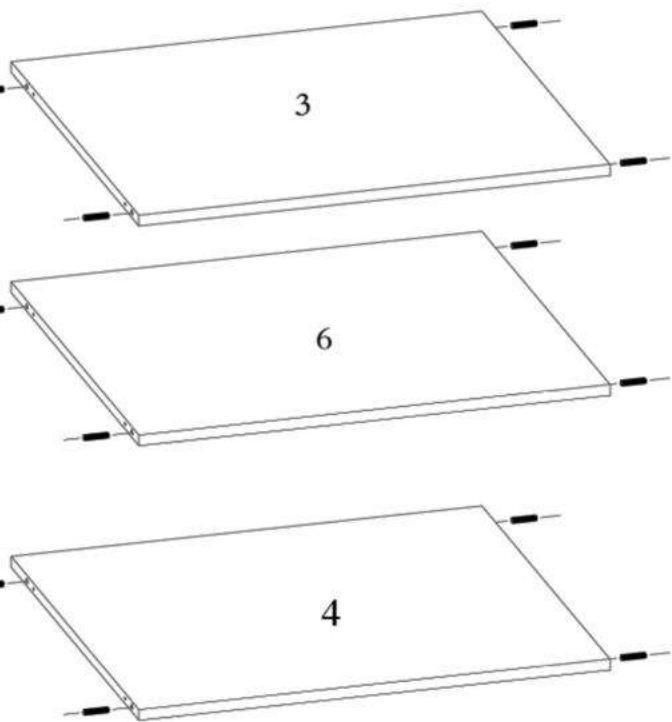
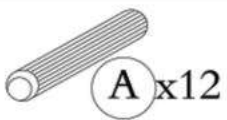


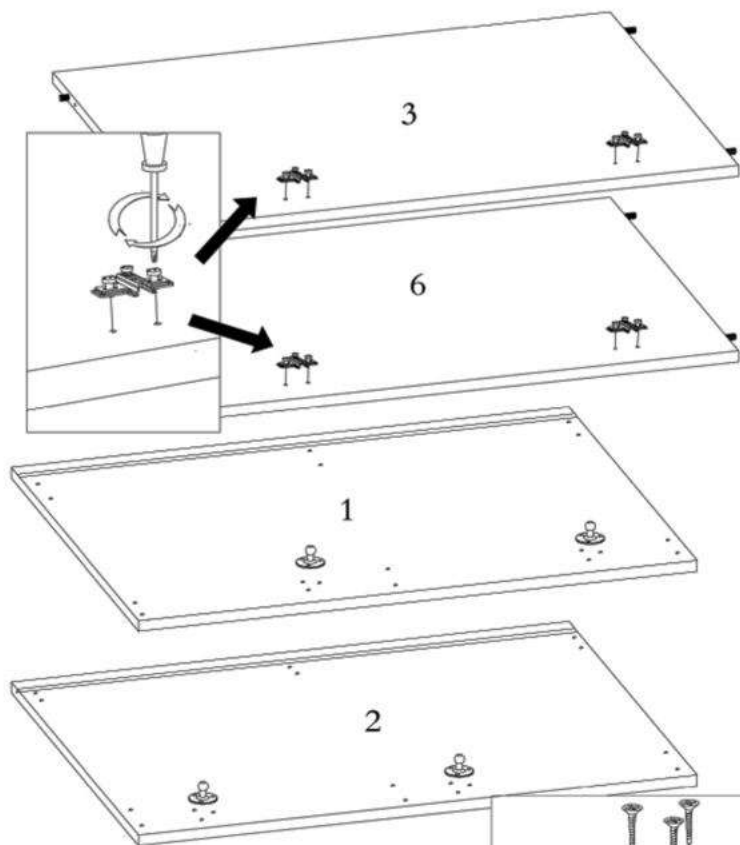
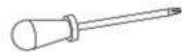
**CUISINE** & **CIE**



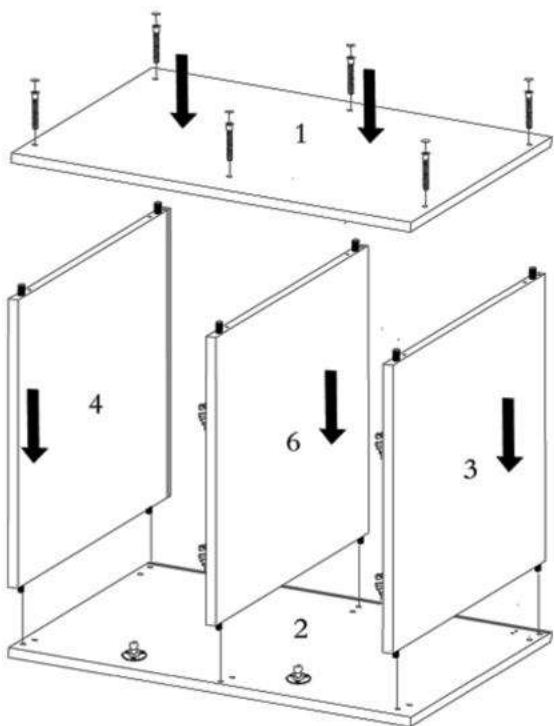
2.



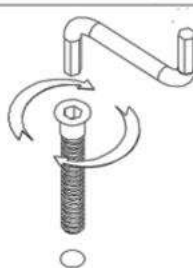
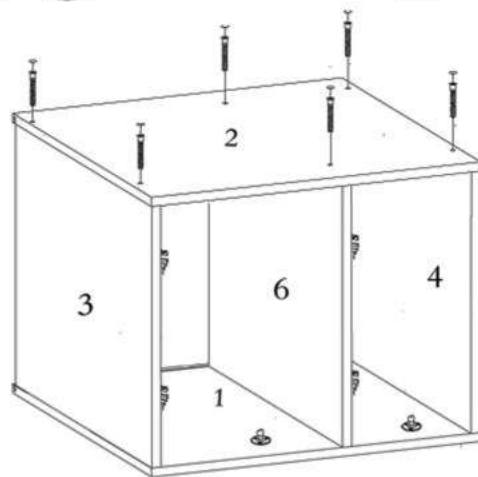
3.



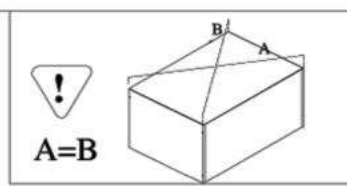
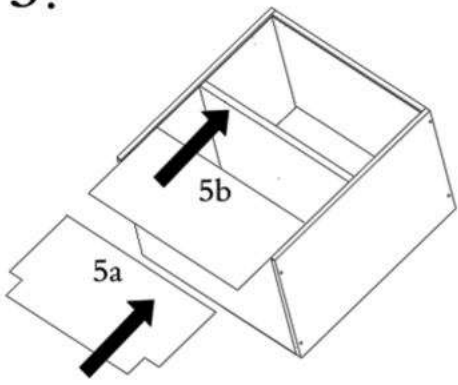
4.1



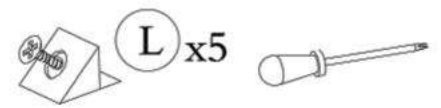
4.2



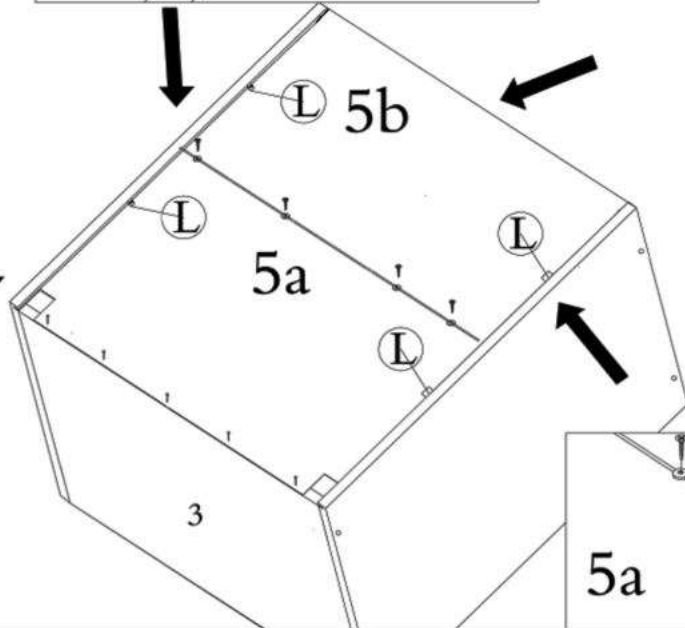
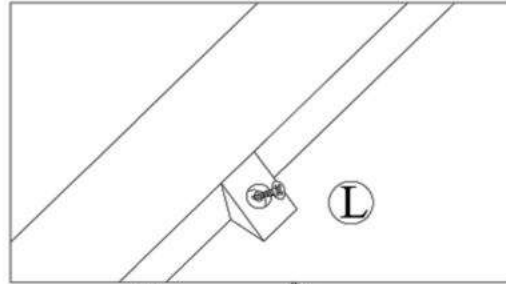
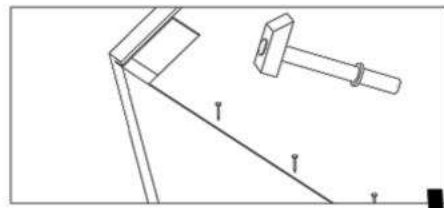
5.



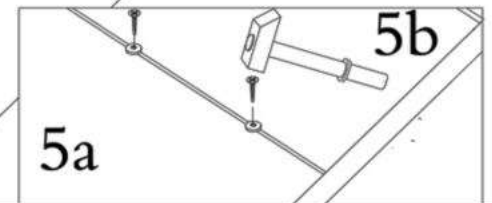
5.1



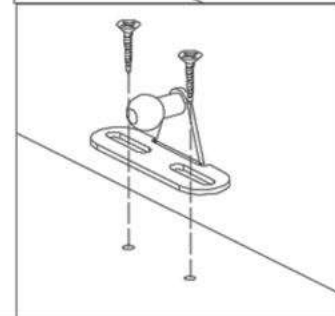
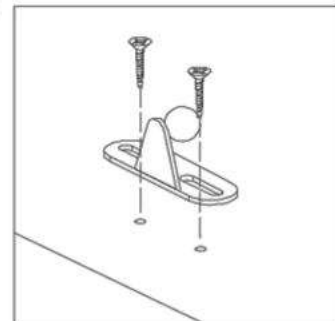
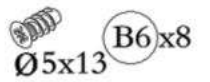
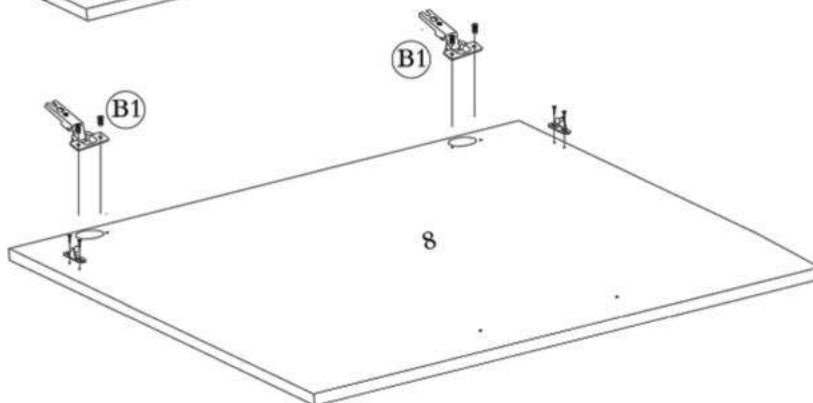
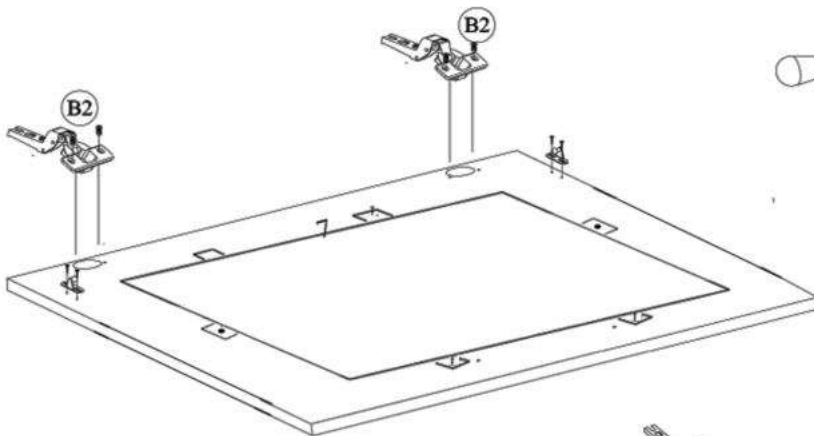
5.2



5.3



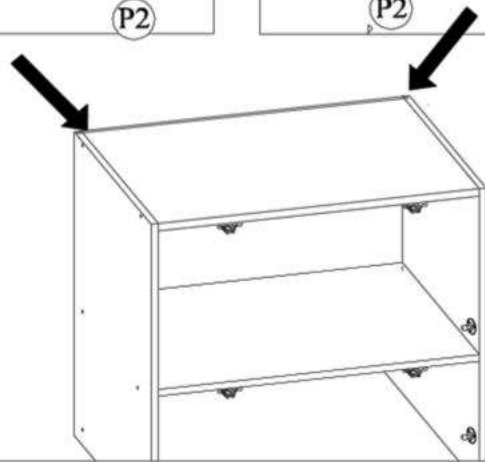
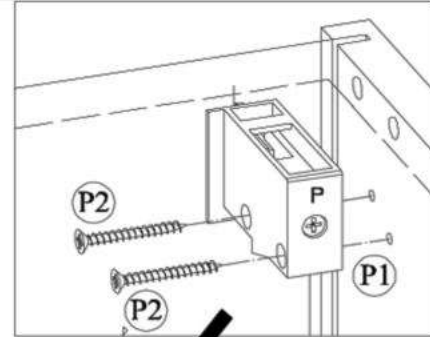
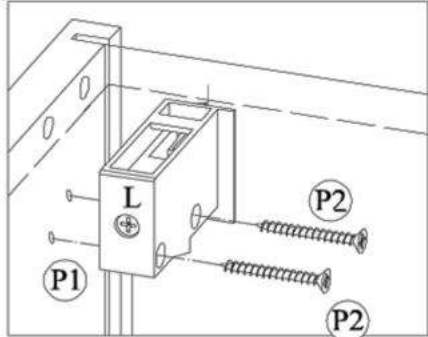
6.



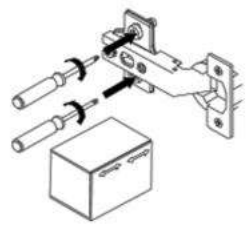
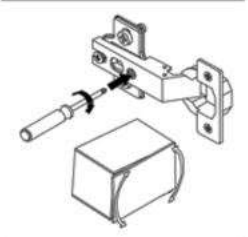
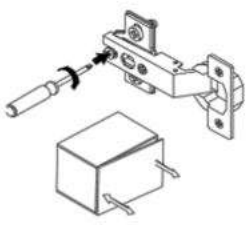
7.

P1 x1

P2 x4  
Ø4x30

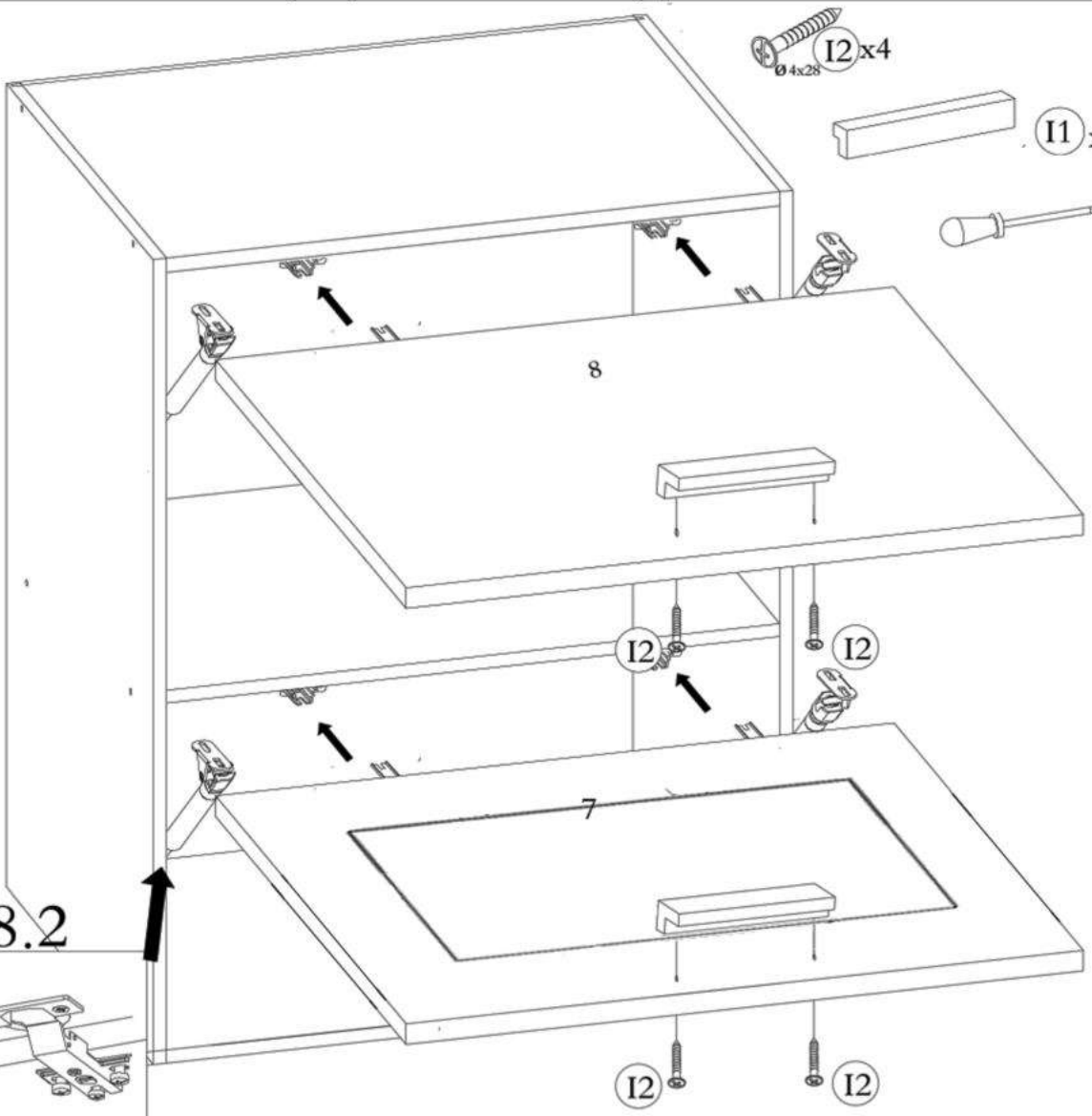


8.1



I2 x4  
Ø4x28

I1 x2



8.2

click!

click!

